

EXPEDITION

XP25i BATTERY POWERED PORTABLE
PA SYSTEM



Owner's Manual

SAMSON

Copyright 2010, Samson Technologies Corp.

v1.3

Samson Technologies Corp.

45 Gilpin Avenue

Hauppauge, New York 11788-8816

Phone: 1-800-3-SAMSON (1-800-372-6766)

Fax: 631-784-2201

www.samsontech.com

Important Safety Information



AVIS RISQUE DE CHOC ÉLECTRONIQUE - NE PAS OUVRIR

CAUTION: TO REDUCE THE RISK OF ELECTRIC SHOCK, DO NOT REMOVE COVER (OR BACK). NO USER-SERVICEABLE PARTS INSIDE. REFER SERVICING TO QUALIFIED SERVICE PERSONNEL.



This lightning flash with arrowhead symbol within an equilateral triangle is intended to alert the user to the presence of non-insulated "dangerous voltage" within the product's enclosure that may be of sufficient magnitude to constitute a risk of electric shock.



The exclamation point within an equilateral triangle is intended to alert the user to the presence of important operating and maintenance instructions in the literature accompanying the appliance.

RECHARGEABLE BATTERY

CAUTION: This unit contains a rechargeable battery. There is a danger of explosion if the battery is incorrectly replaced. Replace only with the same or equivalent type of battery. Do not expose to excessive heat such as sunlight, fire, etc. The battery used in this product must be recycled or properly disposed of. Please dispose of used batteries in a manner that follows any local regulations. Do not incinerate. Contact your local recycling center for information about the proper disposal of rechargeable batteries.

THIS DEVICE COMPLIES WITH PART 15 OF THE FCC RULES CLASS B. OPERATION IS SUBJECT TO THE FOLLOWING TWO CONDITIONS: (1) THIS DEVICE MUST NOT CAUSE HARMFUL INTERFERENCE, AND (2) THIS DEVICE MUST ACCEPT ANY INTERFERENCE RECEIVED INCLUDING INTERFERENCE THAT MAY CAUSE UNDESIRE OPERATION. SUITABLE FOR HOME OR OFFICE USE.



If you want to dispose this product, do not mix it with general household waste. There is a separate collection system for used electronic products in accordance with legislation that requires proper treatment, recovery and recycling.

Private household in the 25 member states of the EU, in Switzerland and Norway may return their used electronic products free of charge to designated collection facilities or to a retailer (if you purchase a similar new one).

For Countries not mentioned above, please contact your local authorities for a correct method of disposal. By doing so you will ensure that your disposed product undergoes the necessary treatment, recovery and recycling and thus prevent potential negative effects on the environment and human health.

Important Safety Information

1. Read these instructions.
 2. Keep these instructions.
 3. Heed all warnings.
 4. Follow all instructions.
 5. This apparatus shall not be exposed to dripping or splashing liquid and no object filled with liquid, such as a vase, should be placed on the apparatus.
 6. Clean only with a dry cloth.
 7. Do not block any of the ventilation openings. Install in accordance with the manufacturer's instructions.
 8. Do not install near any heat sources such as radiators, heat registers, stoves, or other apparatus (including amplifiers) that produce heat.
 9. Only use attachments/accessories specified by the manufacturer.
 10. Unplug this apparatus during lightning storms or when not in use for long periods of time.
 11. Do not override the intended purpose of the polarized or grounding-type plug. A polarized plug has two blades, with one wider than the other. A grounding-type plug has two blades and a third grounding prong. The wide blade or third prong is provided for your safety. If the provided plug does not fit your outlet, consult an electrician to replace the obsolete outlet.
 12. Protect the power cord from being walked on or pinched, particularly at the prongs, convenience receptacles, and the point where they exit from the apparatus.
 13. Use only with the cart stand, tripod bracket, or table specified by the manufacture, or sold with the apparatus.
- When a cart is used, utilize caution when moving the cart/apparatus combination to avoid injury from tip-over.
14. Refer all servicing to qualified service personnel. Servicing is required if the apparatus has been damaged in any way, such as power-supply cord or plug breakage, damage due to liquid or objects falling onto the apparatus, exposure to rain or moisture, or if the apparatus does not operate normally, or has been dropped.
 15. **POWER ON/OFF SWITCH:** For products with a power switch, the power switch **DOES NOT** break the connection from the mains.
 16. **MAINS DISCONNECT:** The plug should remain readily operable. For rack-mount or installation where plug is not accessible, an all-pole mains switch with a contact separation of at least 3mm in each pole shall be incorporated into the electrical installation of the rack or building.
 17. **FOR UNITS EQUIPPED WITH EXTERNALLY ACCESSIBLE FUSE RECEPTACLE:** Replace fuse with same type and rating only.
 18. **MULTIPLE-INPUT VOLTAGE:** This equipment may require the use of a different line cord, attachment plug, or both, depending on the available power source at installation. Connect this equipment only to the power source indicated on the equipment rear panel. To reduce the risk of fire or electric shock, refer servicing to qualified service personnel or equivalent.



Table of Contents

Introduction.	2
XP25i Features	3
Gel-Cell Batteries.	4
XP25i Controls and Layout.	5
XP25i Controls and Layout.	6
Connecting an iPod	7
XP25i Specifications.	8
XP25i Dimensions	9

ENGLISH

FRANÇAIS

DEUTSCHE

ESPAÑOL

ITALIANO

Introduction

Thank you for purchasing the Samson Expedition XP25i all-in-one battery powered portable PA system. The XP25i is a lightweight, compact, personal sound system ideal for use in a variety of mobile presentation, tour guide and school activity applications. The XP25i provides exceptionally clear sound; offering 25 watts of power to a 5-inch full-range loudspeaker. Unique to the XP25i is an integrated iPod dock for playback of pre-recorded speech, alerts, or music. The XP25i also features an expanded mixer section with a microphone input, line input, line output, as well as independent volume controls for iPod, and microphone. The XP25i system includes a push-to-talk microphone with 3' cable, shoulder strap, battery charger and microphone stand adapter.

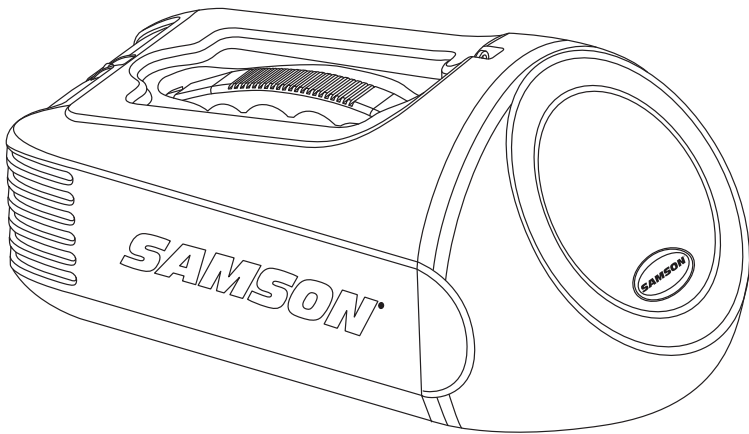
In these pages, you'll find a detailed description of the features of the XP25i portable PA, as well as a guide to its control panel, instructions for setup and use, and full specifications. You'll also find a warranty card enclosed. Please don't forget to fill it out and mail it in so that you can receive online technical support, and so that we can send you updated information about this and other Samson products in the future. Also, be sure to check out our website (www.samsontech.com) for information about our full product line.

With proper care, your XP25i will operate trouble-free for many years. We recommend you record your serial number in the space provided below for future reference.

Serial number: _____

Date of purchase: _____

Should your unit ever require servicing, a Return Authorization number (RA) must be obtained before shipping your unit to Samson. Without this number, the unit will not be accepted. Please call Samson at 1-800-3SAMSON (1-800-372-6766) for a Return Authorization number prior to shipping your unit. Please retain the original packing materials and if possible, return the unit in the original carton and packing materials. If you purchased your Samson product outside the United States, please contact your local distributor for warranty information and service.



Here is a look at some of the unique features of the XP25i battery powered portable PA system:

- Compact, lightweight, ergonomic design for easy transport with carry handle and shoulder strap.
- Built-in rechargeable battery with 8 hours of continuous use per charge.
- Battery recharges in only four hours.
- 5" full-range high efficiency loudspeaker.
- 25-watts onboard power.
- Integrated iPod dock with volume control.
- Samson PT40M push-to-talk microphone with 3' coil cable included.
- Line input and output allows use with other audio devices.
- Power and battery charge indicator LEDs.
- Rugged construction for use while carrying, placed on a table, or mounted using the built-in microphone stand mount.
- Battery charger included.

Gel-Cell Batteries

The XP25i is a battery powered portable sound system that comes with a rechargeable gel-cell battery installed.

Before using your XP25i for the first time, you must charge the rechargeable battery for at least four hours. To charge, connect the included AC/DC adaptor to the XP25i. The Battery LED will flash while the unit is charging. When the XP25i is fully charged the Battery LED will light steady green.

With proper use and care, the battery in your XP25i should last for many years. Follow these instructions for getting the longest life from the internal battery:

- Charge the XP25i completely after each use.
- The battery must not be exposed to extreme heat.
- Avoid completely draining the battery.
- Always store your XP25i in a full-charge condition.
- For long-term storage, you should apply a topping charge to the XP25i every six months

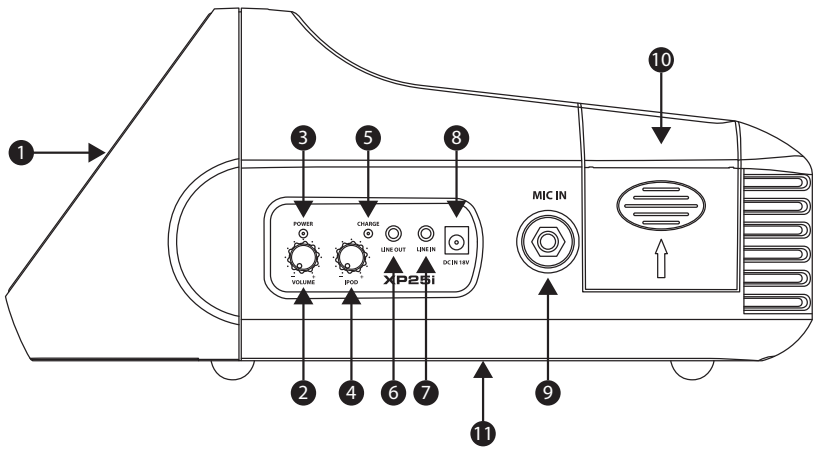
Note: Extended storage below the critical voltage may result in the battery failing to hold a charge, in which case the battery will need to be replaced. Battery life may vary based on temperature, age, and product usage.

Gel-cell rechargeable batteries must not be disposed of with household waste. To discard your rechargeable battery, bring to an appropriate public collecting site, or battery retail location. To guard against possible short-circuiting, rechargeable batteries should be completely discharged before being disposed of, and its terminals should be covered with non-conductive adhesive tape (for example, black electrical tape).

Note: If you have any questions regarding discharging the battery, contact a technician or your local collection center.

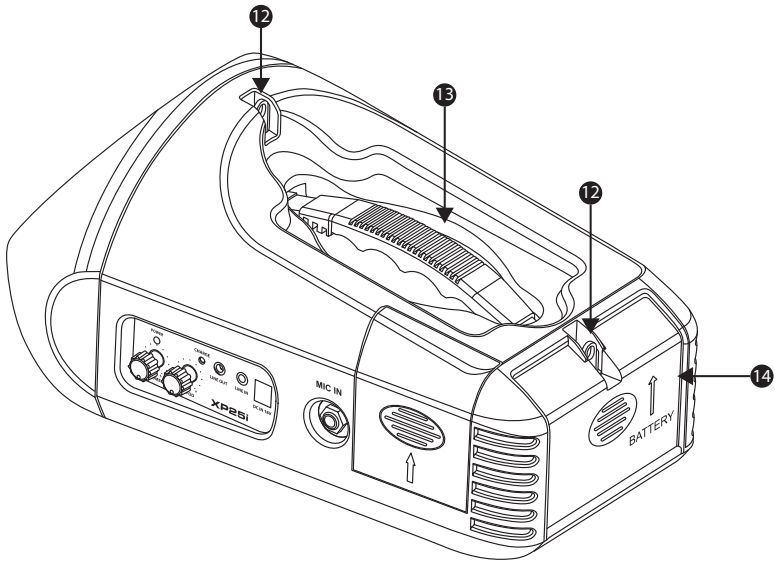
Caution: Under no circumstances should your battery be incinerated as this can cause explosion.

XP25i Controls and Layout

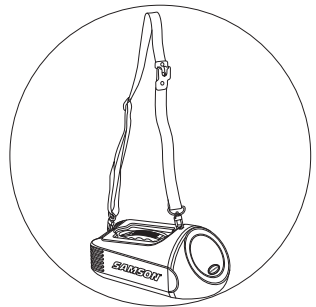


- 1. Loudspeaker** - 5" full-range high efficiency paper cone transducer.
- 2. Volume/Power Control** - This rotary knob controls the level of the microphone input and powers the unit on and off. Turn the control clockwise to turn the system on. Turn the knob counter-clockwise until it clicks to turn the system off.
- 3. Power Indicator** - RED LED illuminates indicating the unit is powered on, ready for operation.
- 4. iPod Level** - This rotary knob controls the level of the iPod to the loudspeaker.
- 5. Charge Indicator** - The Charge Indicator flashes GREEN while the rechargeable battery is charging, and will light steady GREEN when the battery is fully charged. The Charge Indicator will flash RED when the battery is low and the unit is power on.
- 6. Line Out Jack** - 1/8" (3.5mm) auxiliary Line Output. The Microphone, iPod and Line In signals are present at this output.
- 7. Line In Jack** - 1/8" (3.5mm) auxiliary Line Input for connecting an external sound source (CD player, MP3 player, or audio line output from another device).
- 8. DC Power Input** - Connect the supplied AC/DC adaptor to recharge the battery or to supply power to the unit.
- 9. Microphone Input** - 1/4" (6.3mm) Mic level Input jack. Plug the supplied Samson PT40M or another high-impedance microphone into this input.
- 10. iPod Compartment** - The XP25i has a built-in iPod dock which can be used to connect most of the latest iPod models. The iPod signal is controlled by the iPod Level control (#4).
- 11. Microphone Stand Adaptor** - 5/8" female thread adaptor for mounting the XP25i onto a microphone stand.

XP25i Controls and Layout



12. Shoulder Strap Connection - Connect the included Shoulder Strap to these two connection points. The shoulder strap includes a microphone clip for the Samson PT40M microphone.



13. Carry Handle - Ergonomically designed Carry Handle allows for easy transport.

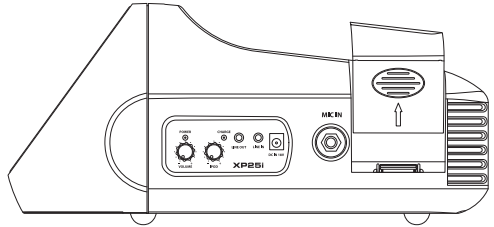
14. Battery Compartment - The XP25i comes with a rechargeable battery installed. If you ever need to replace the battery, open the compartment cover, and remove the battery protection plate. Gently slide the old battery from the compartment and disconnect the RED and BLACK battery leads. Connect the battery leads to the new battery. Connect the RED cable to the positive (+) terminal, and the BLACK cable to the negative (-) terminal. Slide the battery into the compartment, replace the protection plate and slide the compartment cover closed.

Note: If you have any questions about replacing the battery contact Samson or your local distributor.

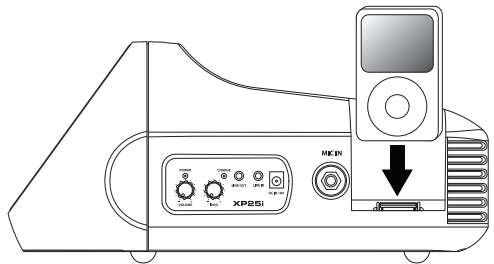
Connecting an iPod

Follow these simple steps for using an iPod with your XP25i portable PA system.

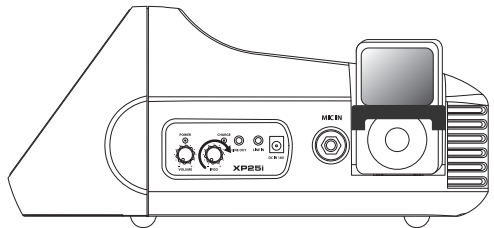
1. Slide the iPod compartment door up to remove.



2. Install your iPod into the XP25i by sliding the iPod onto the connector. Be sure the iPod is seated properly and that it has made a solid connection in the dock.



3. Align the iPod protective bracket with the grooves on either side of the compartment and slide into place.
4. With the iPod playing, rotate the iPod Level control clockwise until you reach the desired volume level.



ENGLISH

FRANÇAIS

DEUTSCHE

ESPAÑOL

ITALIANO

XP25i Specifications

System

Loudspeaker	5" neodymium magnet loudspeaker
Frequency Response	60Hz - 15kHz \pm 3dB
T.H.D.	Less than 1%
Amplifier Power	25 Watts
Signal Inputs	1/4" Mic jack, 1/8" Line In jack, iPod dock
Signal Outputs	1/8" (3.5mm) Line Out jack
MIC Input	1/4" TRS jack, unbalanced
Mic Input Impedance	3.3 k Ω
Mic Input Max. Level	-10 dBu (low gain)
Mic Input Max. Level	-34 dBu (max. gain)
Line Input Max. Level	-10 dBu (no gain control)
Rechargeable Battery	12 V DC / 2.6 AH
Charging Time	4 hours
Operating Time.	Up to 8 hours
External Power Supply	AC 100~240V /DC 18V

Microphone

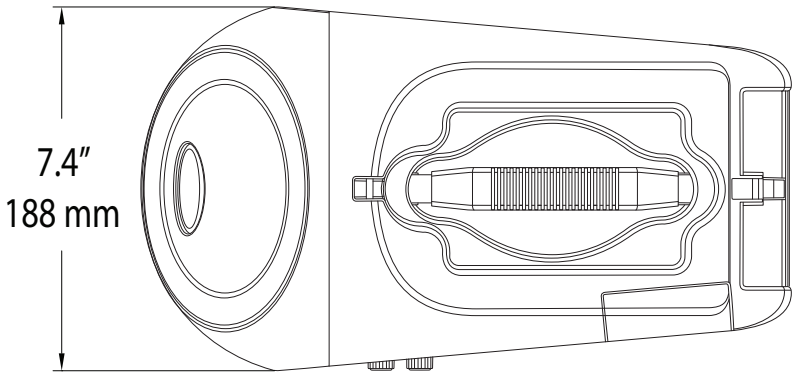
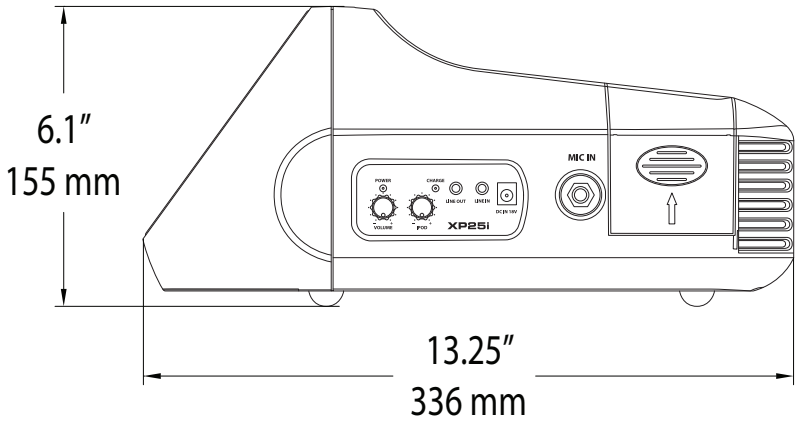
Type.	Samson PT40M, push-to-talk dynamic
Polar Pattern	Cardioid (Unidirectional)
Cable Length	3' coil cable

Enclosure

Construction	Polypropylene internally ribbed
Grill	Black textured vinyl covering
Mounting	Integral microphone stand receptacle
Dimensions	13.25" L x 7.4" W x 6.1" H 336mm L x 188mm W x 155mm H
Weight	5.5 lbs / 2.5 kg

Specifications and appearance are subject to change without notice.

XP25i Dimensions



ENGLISH

FRANÇAIS

DEUTSCHE

ESPAÑOL

ITALIANO

EC Declaration of Conformity

We, Samson Technologies Corporation, located at 45 Gilpin Ave, Hauppauge, NY 11788 USA declare under our own responsibility that the Products:

Equipment:	Portable PA System
Model:	XP25i

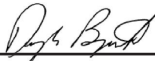
are in conformity with the essential requirements of the following EC Directive(s) when installed in accordance with the installation instructions contained in the product documentation:

2006/95/EC	LVD Directive
2004/108/EC	EMC Directive

and that the standards and/or technical specifications referenced below have been applied as indicated:

IEC 60065:2001 +Amd 1:2005	Audio, video and similar electronic apparatus - Safety requirements.
EN 60065:2002 +A1:2006+A11:2008	Audio, video and similar electronic apparatus - Safety requirements.
EN 55013:2001 +A1:2003+A1:2006	Sound and television broadcast receivers and associated equipment - Radio disturbance characteristics - Limits and methods of measurement.
EN 55020:2007	Sound and television broadcast receivers and associated equipment — Immunity characteristics — Limits and methods of measurement.
EN 61000-3-2:2006 class A	Electromagnetic compatibility (EMC) - Part 3-2: Limits - Limits for harmonic current emissions (equipment input current \leq 16 A per phase).
EN 61000-3-3:2008	Part 3-3: Limits - Limitation of voltage changes, voltage fluctuations and flicker in public low-voltage supply systems, for equipment with rated current \leq 16 A per phase and not subject to conditional connection.

Year of CE Marking (Low Voltage Directive):	2010
---	------

Signed on behalf of the manufacturer: 

Name: Douglas Bryant
Position: Vice President Engineering
Date: 8/25/2010

Consignes de sécurité importantes



MISE EN GARDE - RISQUE D'ÉLECTROCUTION - NE PAS OUVRIR

ATTENTION : POUR RÉDUIRE LES RISQUES D'ÉLECTROCUTION, VEILLEZ À NE PAS OUVRIR LE BOÎTIER. CONFIEZ LES RÉPARATIONS UNIQUEMENT À UN TECHNICIEN QUALIFIÉ.



Le symbole de l'éclair prévient l'utilisateur de la présence de tensions "dangereuses" et non isolées dans l'appareil, d'une amplitude suffisante pour présenter un risque d'électrocution.



Le symbole du point d'exclamation prévient l'utilisateur de la présence d'instructions importantes sur le fonctionnement et la maintenance de ce produit dans le mode d'emploi fourni.

ACCUMULATEUR RECHARGEABLE

ATTENTION : Cet appareil contient un accumulateur rechargeable qui présente un danger d'explosion s'il n'est pas correctement remplacé. Remplacez l'accumulateur uniquement par un autre parfaitement équivalent. Ne l'exposez pas à une chaleur excessive (directement au soleil, feu, etc). L'accumulateur utilisé dans ce produit doit être recyclé ou traité selon les normes et réglementations locales. Ne pas brûler. Contactez votre centre de recyclage local pour obtenir de plus amples renseignements sur le recyclage des accumulateurs.



Ce produit ne doit pas être jeté avec les ordures ménagères. Il existe un service de collecte séparé pour les produits électroniques. Ce service respecte les législations sur le traitement approprié, la récupération et le recyclage.

Les consommateurs des 25 pays membres de l'Union Européenne, de la Suisse et de la Norvège peuvent se départir gratuitement de leurs produits électroniques usagés dans des points de collecte désignés, ou auprès d'un revendeur (lorsqu'un nouveau produit est acheté).

Pour les autres pays, veuillez contacter votre administration locale pour connaître la méthode de mise au rebut appropriée.

En procédant ainsi, vous êtes assuré que votre produit sera correctement traité, récupéré et recyclé afin de prévenir les effets négatifs possibles sur l'environnement et la santé.

Consignes de sécurité importantes

1. Veuillez lire toutes les instructions.
2. Conservez ces instructions.
3. Respectez les mises en garde.
4. Suivez les instructions.
5. L'appareil ne doit pas être exposé aux projections liquides. Ne placez aucun objet contenant un liquide sur l'appareil (vase, verre, etc.).
6. Nettoyez avec un tissu sec.
7. Veillez à ne pas obstruer les fentes de ventilation. Installez l'appareil selon les instructions du fabricant.
8. N'installez pas près d'une source de chaleur (radiateurs, etc.), ou de tout équipement générant de la chaleur (amplificateurs de puissance).
9. Utilisez uniquement les fixations et accessoires spécifiés par le fabricant.
10. Déconnectez l'appareil du secteur en présence d'orage ou lors de périodes d'inutilisation prolongées.
11. Ne retirez pas la terre du cordon secteur ou de la @ prise murale. Les fiches canadiennes avec polarisation (avec une lame plus large) ne doivent pas être modifiées. Si votre prise murale ne correspond pas au modèle fourni, consultez votre électricien.
12. Protégez le cordon secteur contre tous les dommages possibles (pincement, tension, torsion, etc.). Veillez à ce que le cordon secteur soit libre, en particulier à sa sortie du boîtier.
13. Utilisez uniquement le support, le pied, ou la table spécifiés par le fabricant, ou vendus avec l'appareil. Lorsque vous utilisez un chariot, procédez avec vigilance lorsque vous vous déplacez pour éviter toute blessure aux personnes et tout dommage aux équipements.
14. Consultez un service de réparation qualifié pour tout dysfonctionnement (dommage sur le cordon secteur, baisse de performances, exposition à la pluie, projection liquide dans l'appareil, introduction d'un objet dans le boîtier, etc.).
15. INTERRUPTEUR MARCHE/ARRÊT : les produits équipés d'un interrupteur marche/arrêt ne GARANTISSENT PAS une isolation totale entre l'appareil et le secteur.
16. ISOLATION DU SECTEUR : La fiche secteur doit rester accessible à tout moment. Dans le cas d'une installation en Rack ou d'une installation ne permettant pas l'accès à la fiche secteur, un interrupteur multipolaire avec ouverture/fermeture par contacts (espacés d'au moins 3 mm) sur chaque élément de l'alimentation secteur (toutes les phases, neutre et terre) doit être incorporé au câblage du Rack ou du bâtiment.
17. APPAREILS ÉQUIPÉS D'UN FUSIBLE ACCESSIBLE PAR L'EXTÉRIEUR : Remplacez le fusible uniquement par un autre exactement identique.
18. ÉQUIPEMENTS MULTI-TENSION : Selon le pays d'utilisation, cet appareil nécessite un cordon secteur avec des fiches adaptées au format local et aux normes locales. Connectez cet appareil uniquement à une source secteur correspondant à la description située en face arrière. Pour réduire les risques d'incendie et d'électrocution, confiez toutes les réparations à un personnel qualifié.



53125A

Table des matières

Introduction	14
XP25i — Généralités	15
Accumulateur au gel	16
XP25i — Réglages et organisation.	17
XP25i — Réglages et organisation.	18
Connexion d'un iPod	19
XP25i — Caractéristiques techniques.	20
XP25i Dimensions	21

ENGLISH

FRANÇAIS

DEUTSCHE

ESPAÑOL

ITALIANO

Introduction

Merci d'avoir choisi le système de sonorisation complet, rechargeable, portable et autonome Samson Expedition XP25i. Le système XP25i vous offre une sonorisation légère, compacte, et idéale pour les présentations mobiles, les guides touristiques et pour les activités scolaires. Le système XP25i vous offre une sonorité d'une clarté exceptionnelle, avec une puissance de 25 Watts restituée par un haut-parleur large bande de 13 cm. Le système XP25i est unique car il est équipé d'une embase pour iPod intégrée, vous permettant la restitution aisée de discours pré-enregistrés, des messages d'alerte, ou de musique. Le XP25i vous offre également une section de mixage complète avec entrée micro, entrée ligne, sortie ligne, et des réglages indépendants de volume pour l'iPod et le micro. Le système XP25i comprend un micro à fonction marche/arrêt par poussoir avec un câble d'1 mètre, une sangle de transport sur l'épaule, un chargeur et un adaptateur de pied de micro.

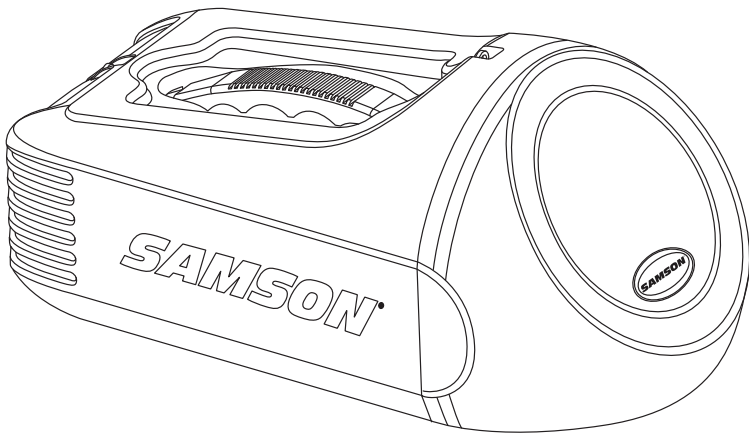
Dans ces pages, vous trouverez une description détaillée des fonctions de la sonorisation portable XP25i, un guide sur les réglages, des instructions pour sa mise en œuvre et son utilisation, ainsi que le détail des caractéristiques techniques. Vous trouverez également une carte de garantie — prenez le temps de la remplir et de nous la renvoyer pour bénéficier de notre assistance technique. Nous vous ferons également parvenir des informations sur les nouveaux produits Samson. Prenez le temps de consulter notre site Internet (www.samsontech.com) pour obtenir de plus amples informations sur nos produits.

Avec un entretien adapté et une ventilation suffisante, la sonorisation XP25i vous donnera satisfaction pendant de très nombreuses années. Prenez le temps de noter le numéro de série et la date d'achat ci-dessous pour toute référence ultérieure.

Numéro de série : _____

Date d'achat : _____

Si vous devez faire réparer cet appareil, vous devez tout d'abord obtenir un numéro d'autorisation de retour auprès de nos services. Sans ce numéro d'autorisation, l'appareil ne sera pas accepté lors de sa réception. Appelez Samson au : 1-800-3SAMSON (1-800-372-6766) pour obtenir ce numéro d'autorisation. Utilisez les emballages d'origine pour le retour.



Voici quelques éléments uniques de la sonorisation rechargeable portable autonome XP25i :

- Compacte, légère, ergonomique pour un transport aisé, grâce à la poignée et à la sangle.
- Accumulateur rechargeable intégré avec une autonomie de 8 heures en utilisation continue.
- L'accumulateur se recharge en seulement quatre heures.
- Haut-parleur large bande de 13 cm à rendement élevé.
- Amplificateur intégré de 25 Watts.
- Embase pour iPod intégrée avec réglage de volume.
- Micro intégré Samson PT40M activé par poussoir avec câble en spirale de 1 mètre.
- Entrées et sorties ligne permettant la connexion d'autres équipements audio.
- Témoins Led de mise sous tension et de charge de l'accumulateur.
- Construction ultra robuste permettant une utilisation sur table, portée, ou installée sur un pied de micro.
- Chargeur fourni.

Accumulateur au gel

Le XP25i est un système de sonorisation portable autonome rechargeable alimenté par accumulateur au gel.

Avant d'utiliser le XP25i pour la première fois, vous devez charger l'accumulateur pendant au moins quatre heures. À cette fin, connectez le chargeur fourni au XP25i. Le témoin Led de charge clignote pendant le chargement. Une fois le XP25i chargé, la Led reste allumée en vert.

Avec un entretien minimal, l'accumulateur du XP25i devrait vous donner de nombreuses années de service. Suivez ces instructions pour optimiser la durée de vie de l'accumulateur :

- Chargez complètement le XP25i après chaque utilisation.
- L'accumulateur ne doit pas être exposé à des chaleurs extrêmes.
- Évitez de décharger complètement l'accumulateur.
- Conservez tout le temps le XP25i en charge complète.
- Pour le rangement à long terme, chargez le XP25i tous les six mois.

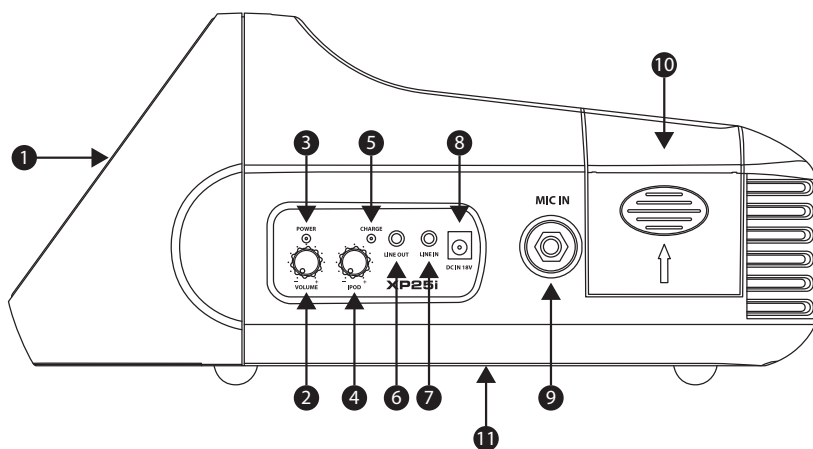
Remarque : Si vous stockez l'appareil pendant longtemps avec une charge inférieure à la tension minimale, il se peut que l'accumulateur ne tienne plus la charge, et dans ce cas, il doit être remplacé. La durée de vie de l'accumulateur varie selon la température, l'âge, et la fréquence d'utilisation du produit.

Vous ne devez pas vous débarrasser des accumulateurs au gel avec le reste des ordures ménagères. Pour vous débarrasser de l'accumulateur, confiez-le à un centre de recyclage adapté ou à un point de collecte spécifique. Pour éviter tout court-circuit, déchargez complètement l'accumulateur avant de vous en débarrasser, et couvrez les bornes avec un ruban adhésif non-conducteur (avec du ruban adhésif électrique, par exemple).

Remarque : Si vous avez des questions sur la décharge de l'accumulateur, contactez un technicien ou votre centre de collecte des ordures local.

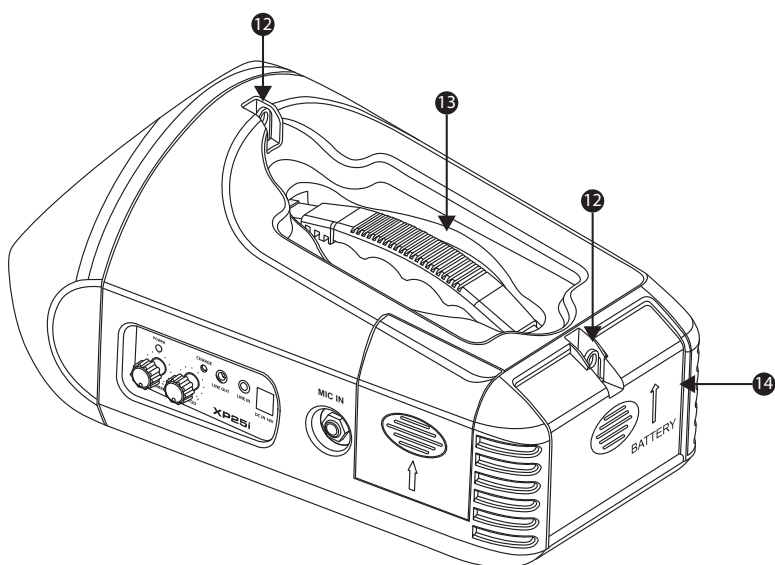
Attention : Vous ne devez en aucun cas incinérer l'accumulateur. Ceci peut en effet créer un risque élevé d'explosion.

XP25i — Réglages et organisation



- 1. Haut-parleur** - Haut-parleur large bande à haut rendement de 13 cm à membrane en papier.
- 2. Bouton Volume/Power** - Ce bouton contrôle le niveau de l'entrée micro et place l'appareil sous/hors tension. Tournez vers la gauche pour placer l'appareil sous tension et monter le volume et inversement.
- 3. Témoin Power** - La couleur rouge indique que l'appareil est sous tension, prêt à fonctionner.
- 4. Bouton iPod** - Détermine le niveau de l'iPod dans le haut-parleur.
- 5. Témoin Charge** - Le témoin Charge clignote en VERT pendant le chargement, et reste allumé en VERT une fois l'accumulateur chargé. Le témoin Charge clignote en ROUGE lorsque l'accumulateur est déchargé (et l'appareil sous tension).
- 6. Line Out** - Sortie ligne en mini-Jack 3,5 mm avec le signal du micro de l'iPod et de l'entrée Line In.
- 7. Line In** - Entrée ligne en mini-Jack 3,5 mm pour la connexion d'une source externe (lecteur de CD, de MP3, ou toute autre source audio à niveau ligne).
- 8. DC In** - Connectez le chargeur fourni à cette embase pour recharger l'accumulateur ou pour alimenter l'appareil.
- 9. Entrée Mic In** - Entrée Jack 6,35 mm à niveau micro. Connectez le micro Samson PT40M fourni ou tout autre micro haute-impédance à cette entrée.
- 10. Compartiment de l'iPod** - Le XP25i est équipé d'une base pour iPod compatible avec la plupart des modèles d'iPod les plus récents. Le signal de l'iPod est contrôlé par le bouton iPod (4).
- 11. Adaptateur de pied de micro** - Adaptateur de pas US femelle de 5/8^{ème} de pouce (16 mm) permettant d'installer la sonorisation XP25i sur un pied de micro.

XP25i — Réglages et organisation

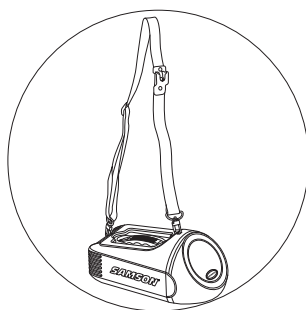


12. Points d'attache de la sangle - Connectez la sangle fournie à ces deux points d'attache. La sangle est équipée d'une pince micro pour le Samson PT40M.

13. Poignée - Poignée de transport ergonomique facilitant le transport.

14. Compartiment de l'accumulateur (Battery) - Le XP25i est fourni avec l'accumulateur déjà installé. Pour remplacer l'accumulateur, ouvrez le couvercle du compartiment et retirez la plaque de protection de l'accumulateur. Faites glisser lentement l'accumulateur de son compartiment et déconnectez les fils ROUGE et NOIR. Connectez les fils au nouvel accumulateur. Connectez le fil ROUGE à la borne positive (+), et le fil NOIR à la borne négative (-). Faites glisser lentement le nouvel accumulateur dans le compartiment, remplacez la plaque de protection en position et fermez le couvercle du compartiment.

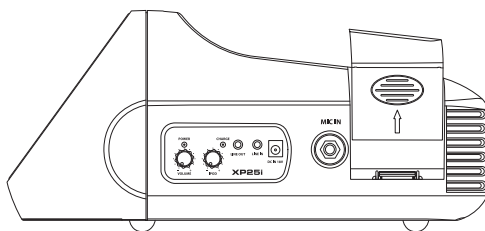
Remarque : Si vous avez des questions sur le remplacement de l'accumulateur, contactez Samson ou votre distributeur local.



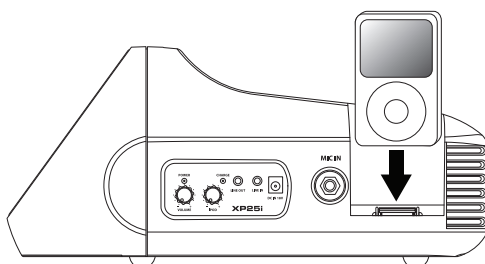
Connexion d'un iPod

Procédez comme suit pour utiliser un iPod avec votre sonorisation XP25i :

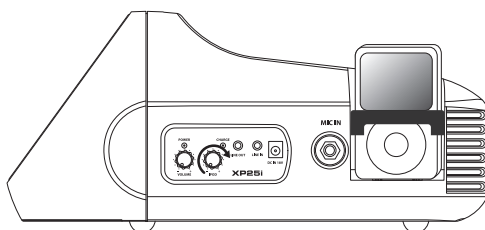
1. Ouvrez la porte du compartiment en la faisant glisser vers le haut.



2. Installez l'iPod dans le XP25i en l'insérant sur sa base. Veillez à la bonne assise de l'iPod sur sa base.



3. Alignez la protection de l'iPod avec les rainures de chaque côté du compartiment et faites glisser.
4. Placez l'iPod en lecture, montez le bouton de niveau iPod jusqu'à obtenir le niveau d'écoute souhaité.



ENGLISH

FRANÇAIS

DEUTSCHE

ESPAÑOL

ITALIANO

XP25i — Caractéristiques techniques

Système

Haut-parleur	13 cm à aimant au néodyme
Bande passante	60 Hz - 15 kHz, ± 3 dB
Distorsion harmonique.	Inférieure à 1 %
Amplification	25 Watts
Entrées	Jack 6,35 mm (micro), mini-Jack 3,5 mm (entrée ligne), base pour iPod
Sortie ligne	Mini-Jack 3,5 mm
Entrée MIC.	Jack 6,35 mm mono, asymétrique
Impédance entrée micro.	3,3 k Ω
Niveau d'entrée	-14 dBu à +34 dBu
Accumulateur.	12 Vcc / 2,6 AH
Temps de charge.	4 heures
Autonomie	8 heures maximum
Alimentation externe.	100 ~ 240 Vca/18 Vcc

Micro

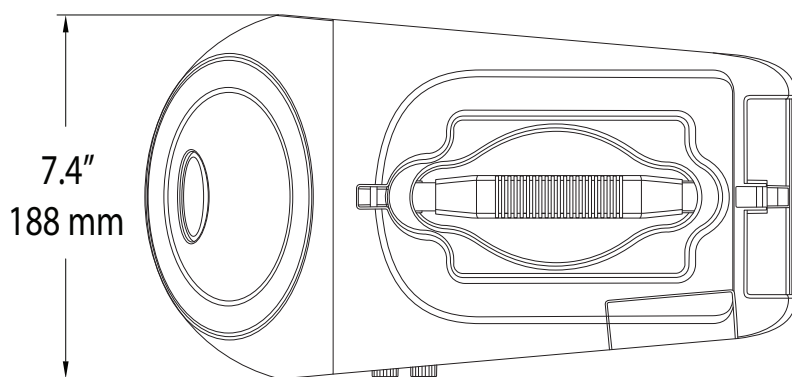
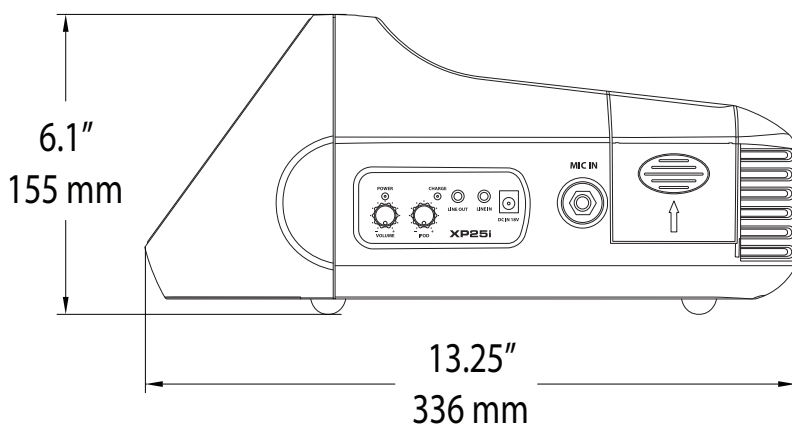
Type.	Dynamique, Samson PT40M avec poussoir de marche
Structure polaire	Cardioïde (unidirectionnel)
Câble	Câble en spirale de 1 mètre

Boîtier

Construction	Polypropylène avec renforts internes
Grille	Finition vinyle noir texturé
Fixation.	Embase pour pied de micro intégrée
Dimensions	336 mm (p) x 188 mm (l) x 155 mm (h)
Poids	2,5 kg

Caractéristiques et apparence sujettes à modification sans préavis.

XP25i Dimensions



ENGLISH

FRANÇAIS

DEUTSCHE

ESPAÑOL

ITALIANO

Déclaration de conformité (CE)

Samson Technologies Corporation, située 45 Gilpin Ave, Hauppauge, NY 11788 USA, déclare que le produit :

Produit :	Sonorisation portable
Modèle :	XP25i


est conforme aux normes CE suivantes lorsqu'il est installé selon les directives du mode d'emploi fourni avec le produit :

73/23/EEC	Directive LVD
89/336/EEC	Directive sur les émissions

et que les normes suivantes sont respectées :

IEC 60065:2001+Amd 1:2005	Sécurité sur les équipements électroniques audio, vidéo et similaires.
EN 55013:2001 +A1:2006	Récepteurs de son et de télévision et autres équipements associés - caractéristiques d'interférences radio - Limites et méthodes de mesure.
EN 55020:2007	Récepteurs de son et de télévision et autres équipements associés - caractéristiques d'immunité — Limites et méthodes de mesure.
EN 61000-3-2:2006 classe A	Compatibilité électromagnétique (EMC) - Article 3-2: Limites - Limites sur les émissions de courants et harmoniques (courant d'entrée \leq 16 A par phase).
EN 61000-3-3:1995 +A1:2001+A2:2005	Article 3-3: Limites - Limitation des variations de tension, dans les systèmes basse tension grand public, pour les équipements avec un courant \leq 16 A par phase et non sujets à une connexion spéciale.

Année du marquage à la norme CE :	2010
-----------------------------------	------

Signé pour le compte du fabricant :  _____

Nom : Douglas Bryant _____

Emploi : Vice Président _____

Date : 25/07/2010 _____

Wichtige Sicherheitsinformationen



AVIS RISQUE DE CHOC ÉLECTRIQUE - NE PAS OUVRIR

VORSICHT: UM DIE GEFAHR EINES STROMSCHLAGS ZU VERRINGERN, ENTFERNEN SIE NICHT DIE VORDER- ODER RÜCKSEITE DES GERÄTS. IM INNERN BEFINDEN SICH KEINE VOM ANWENDER WARTBAREN BAUTEILE. ÜBERLASSEN SIE DIE WARTUNG QUALIFIZIERTEM FACHPERSONAL.



Der Blitz mit Pfeilspitze im gleichseitigen Dreieck soll den Anwender vor nichtisolierter "gefährlicher Spannung" im Geräteinnern warnen. Diese Spannung kann so hoch sein, dass die Gefahr eines Stromschlags besteht.



Das Ausrufezeichen im gleichseitigen Dreieck soll den Anwender auf wichtige Bedienungs- und Wartungsanleitungen aufmerksam machen, die im mitgelieferten Informationsmaterial näher beschrieben werden.

AKKUS

VORSICHT: Das Gerät enthält einen Akku. Wenn Sie den Akku inkorrekt ersetzen, besteht Explosionsgefahr. Verwenden Sie als Ersatz nur einen Akku gleichen Typs. Setzen Sie den Akku keiner übermäßigen Hitze aus, z. B. Sonnenlicht, Feuer usw. Der in diesem Produkt verwendete Akku muss recycelt oder entsprechend den örtlichen Vorschriften korrekt entsorgt werden. Verbrennen Sie ihn nicht. Fragen Sie Ihr örtliches Recycling-Center nach der korrekten Entsorgung von Akkus.

DIESES GERÄT ENTSPRICHT PART 15 DER FCC-VORSCHRIFTEN CLASS B. DER BETRIEB UNTERLIEGT FOLGENDEN ZWEI BEDINGUNGEN: (1) DIESES GERÄT DARF KEINE STÖRUNGEN VERURSACHEN UND (2) ES MUSS ALLE EMPFANGENEN STÖRUNGEN AUFNEHMEN KÖNNEN, AUCH SOLCHE, DIE DIE FUNKTION BEEINTRÄCHTIGEN. GEEIGNET FÜR PRIVAT- UND BÜROANWENDUNGEN.



Entsorgen Sie dieses Produkt nicht im normalen Hausmüll. Für gebrauchte elektronische Produkte gibt es ein separates Sammelsystem, das den gesetzlichen Vorschriften zur sachgemäßen Behandlung, Verwertung und Rückgewinnung entspricht.

Privathaushalte in den 25 Mitgliedstaaten der EU, in der Schweiz und Norwegen können gebrauchte elektronische Produkte kostenlos an speziellen Sammelstellen oder beim Einzelhändler abgeben (bei Kauf eines ähnlichen Neugeräts).

In allen anderen Ländern erkundigen Sie sich bitte bei den örtlichen Behörden nach der korrekten Entsorgung.

Auf diese Weise wird das entsorgte Produkt sachgemäß behandelt, verwertet und recycelt und es werden potentiell negative Auswirkungen auf die Umwelt und die menschliche Gesundheit verhindert.

Wichtige Sicherheitsinformationen

1. Lesen Sie diese Anleitungen.
2. Bewahren Sie diese Anleitungen auf.
3. Beachten Sie alle Warnungen.
4. Befolgen Sie alle Anweisungen.
5. Setzen Sie dieses Gerät keinen tropfenden oder spritzenden Flüssigkeiten aus und stellen Sie keine mit Flüssigkeit gefüllten Objekte, z. B. Vasen, auf das Gerät.
6. Reinigen Sie das Gerät nur mit einem trockenen Tuch.
7. Blockieren Sie keine Belüftungsöffnungen. Installieren Sie das Gerät nur entsprechend den Anweisungen des Herstellers.
8. Installieren Sie das Gerät nicht in der Nähe von Wärmequellen, wie Heizkörpern, Wärmeklappen, Öfen oder anderen Geräten (inklusive Verstärkern).
9. Benutzen Sie nur die vom Hersteller angegebenen Halterungen/Zubehörteile.
10. Ziehen Sie den Netzstecker des Geräts bei Gewittern oder längeren Betriebspausen aus der Steckdose.
11. Setzen Sie die vorgesehene Funktion des polarisierten oder geerdeten Steckers nicht außer Kraft. Ein polarisierter Stecker hat zwei flache, unterschiedlich breite Pole. Ein geerdeter Stecker hat zwei flache Pole und einen dritten Erdungsstift. Der breitere Pol oder der dritte Stift dient Ihrer Sicherheit. Wenn der vorhandene Stecker nicht in Ihre Steckdose passt, lassen Sie die veraltete Steckdose von einem Elektriker ersetzen.
12. Schützen Sie das Netzkabel dahingehend, dass niemand darüber laufen und es nicht geknickt werden kann. Achten Sie hierbei besonders auf Netzstecker, Mehrfachsteckdosen und den Kabelanschluss am Gerät.
13. Benutzen Sie das Gerät nur mit den Wagen, Ständern, Stativen, Halterungen oder Tischen, die vom Hersteller empfohlen oder mit dem Gerät verkauft wurden. Gehen Sie beim Bewegen eines Wagens vorsichtig vor, damit die Wagen/Geräte-Kombination nicht umkippt und Verletzungen verursacht.
14. Überlassen Sie die Wartung qualifiziertem Fachpersonal. Eine Wartung ist notwendig, wenn das Gerät auf irgendeine Weise beschädigt wurde, z. B. am Netzkabel oder -stecker, oder wenn Flüssigkeiten/Objekte in das Gerät gelangt sind, es Regen/Feuchtigkeit ausgesetzt war, nicht mehr wie gewohnt funktioniert oder fallen gelassen wurde.
15. NETZSCHALTER: Ein eventuell vorhandener Netzschalter unterbricht die Verbindung zum Stromnetz NICHT.
16. TRENNUNG VOM STROMNETZ: Der Netzstecker sollte immer problemlos erreichbar sein. Ist der Netzstecker nicht erreichbar, z. B. Rackmontage oder andere Installationen, muss ein allpoliger Netzschalter mit einer Kontakttrennung von mindestens 3mm in jedem Pol in die elektrische Installation des Racks oder Gebäudes eingebaut werden.
17. GERÄTE MIT EXTERN ZUGÄNGLICHER SICHERUNG: Verwenden Sie als Ersatz nur Sicherungen gleichen Typs und Nennwerts.
18. VERSCHIEDENE NETZSPANNUNGEN: Abhängig von der bei der Installation verfügbaren Stromquelle, müssen Netzkabel und/oder Anschlussstecker des Geräts eventuell ausgetauscht werden. Schließen Sie das Gerät nur an Spannungsquellen an, die auf der Geräterückseite angegeben sind. Um die Gefahr eines Brandes oder Stromschlags zu verringern, überlassen Sie die Wartung qualifiziertem Fachpersonal.



Inhalt

Einleitung	26
XP25i Features	27
Gel-Akku	28
XP25i Regler und Layout	29
XP25i Regler und Layout.	30
iPod anschließen.	31
XP25i Technische Daten	32
XP25i Abmessungen	33

ENGLISH

FRANÇAIS

DEUTSCHE

ESPAÑOL

ITALIANO

Einleitung

Herzlichen Dank für den Kauf des eigenständigen batteriebetriebenen tragbaren Samson Expedition XP25i PA-Systems. Das XP25i ist ein leichtes, kompaktes, persönliches Soundsystem, das sich ideal für die verschiedensten mobilen Präsentationen, Führungen und schulische Aktivitäten eignet. Das XP25i bietet mit seinen 25 Watt Leistung und seinem 5" Breitbandlautsprecher einen außergewöhnlich klaren Klang. Über das integrierte neuartige iPod Dock lassen sich voraufgezeichnete Ansprachen, Ansagen oder Musik abspielen. Das XP25i zeichnet sich weiterhin aus durch eine erweiterte Mischersektion mit Mikrofoneingang, Line-Eingang, Line-Ausgang sowie separate Pegelregler für iPod und Mikrofon. Das XP25i-System verfügt zudem über ein Mikrofon mit Sprechaste und 1 m Kabel, einen Schultergurt, ein Akkuladegerät und einen Mikrofonständeradapter.

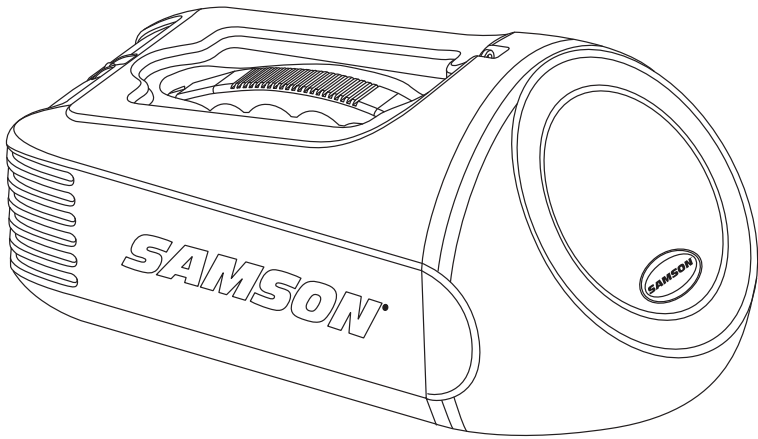
Auf diesen Seiten finden Sie eine detaillierte Beschreibung der Funktionen Ihres tragbaren XP25i PA-Systems und dessen Bedienfeld sowie Anleitungen zur Einrichtung und Anwendung plus ausführliche technische Daten. Die beiliegende Garantiekarte sollten Sie unbedingt ausfüllen und abschicken, damit Sie online technische Unterstützung in Anspruch nehmen können und zukünftig aktualisierte Informationen über dieses und andere Samson-Produkte erhalten. Besuchen Sie bitte auch unsere Website unter der Adresse www.samsontech.com, auf der Sie ausführliche Informationen über unsere gesamte Produktpalette finden.

Bei sorgsamer Behandlung wird Ihr XP25i viele Jahre störungsfrei arbeiten. Die Seriennummer Ihres Geräts sollten Sie sicherheitshalber in der Zeile unten eintragen.

Seriennummer: _____

Kaufdatum: _____

Sollte Ihr Gerät einmal gewartet werden müssen, besorgen Sie sich vor der Rücksendung an Samson bitte eine Return Authorization Number (RA/Rücksendeberechtigungsnummer). Ohne diese Nummer wird das Gerät nicht angenommen. Bitte rufen Sie Samson unter der Nummer 1-800-3SAMSON (1-800-372-6766) an, um eine RA-Nummer vor der Rücksendung zu erhalten. Heben Sie das Originalverpackungsmaterial auf und schicken Sie das Gerät möglichst im originalen Karton und Verpackungsmaterial zurück. Wenn Sie das Samson Produkt außerhalb der USA gekauft haben, setzen Sie sich bei Fragen zu Garantie und Wartung bitte mit Ihrem lokalen Vertrieb in Verbindung.



Die wichtigsten Features des neuartigen batteriebetriebenen tragbaren XP25i PA-Systems:

- Kompakte, leichte, ergonomische Bauweise mit Tragegriff und Schultergurt für den einfachen Transport.
- Integrierter Akku mit 8 Stunden Dauerbetrieb pro Ladung.
- Akku in nur vier Stunden aufladbar.
- Breitbandiger 5" Hochleistungslautsprecher.
- 25 Watt interne Leistung.
- Integriertes iPod Dock mit Pegelregler.
- Samson PT40M Sprechstasten-Mikrofon mit 1 m Spiralkabel.
- Line-Eingang und -Ausgang für den Einsatz mit anderen Audiogeräten.
- LED-Anzeigen für Betriebs- und Ladestatus.
- Robuste Bauweise ermöglicht den Betrieb beim Tragen, auf Standflächen oder bei Montage auf der integrierten Mikrofonständerhalterung.
- Batterieladegerät inklusive.

Gel-Akku

Das XP25i ist ein batteriebetriebenes tragbares Soundsystem mit integriertem Gel-Akku.

Vor dem ersten Einsatz Ihres XP25i müssen Sie den Akku mindestens vier Stunden aufladen. Schließen Sie hierzu den mitgelieferten AC/DC-Adapter ans XP25i an. Während das Gerät geladen wird, blinkt die Batterie-LED. Wenn das XP25i vollständig geladen ist, leuchtet die Batterie-LED konstant grün.

Bei korrekter Verwendung und Pflege sollte der Akku in Ihrem XP25i viele Jahre problemlos funktionieren. Für eine optimale Lebensdauer des internen Akkus befolgen Sie bitte folgende Anweisungen:

- Laden Sie das XP25i nach jedem Gebrauch vollständig auf.
- Setzen Sie den Akku keiner extremen Hitze aus.
- Vermeiden Sie die vollständige Entladung des Akkus.
- Laden Sie das XP25i vor der Lagerung vollständig auf.
- Bei langer Lagerung sollten Sie das XP25i alle sechs Monate vollständig nachladen.

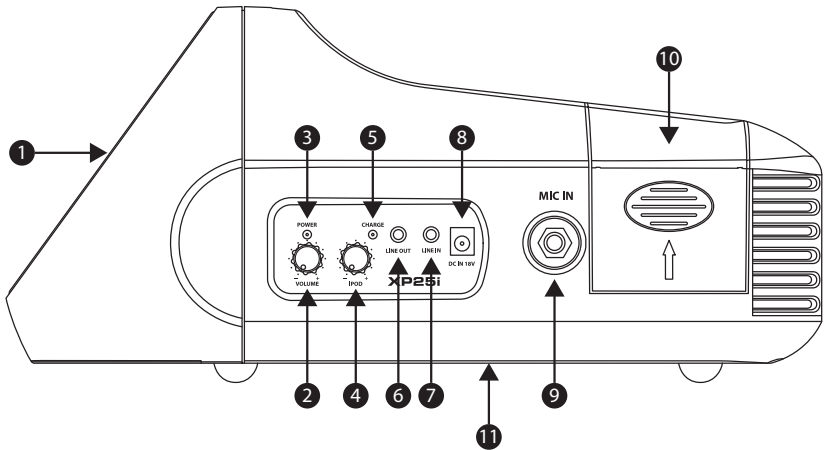
Hinweis: Bei längerer Lagerung unter dem kritischen Spannungspegel kann der Akku eventuell die Ladung nicht mehr speichern. In diesem Fall muss der Akku ersetzt werden. Die Lebensdauer des Akkus kann abhängig von Temperatur, Alter und Gerätenutzung variieren.

Gel-Akkus dürfen nicht im Hausmüll entsorgt werden, sondern müssen zu einer geeigneten öffentlichen Sammelstelle oder einem Batteriehändler gebracht werden. Um mögliche Kurzschlüsse zu verhindern, müssen Akkus vor der Entsorgung vollständig entladen und deren Anschlüsse mit nichtleitendem Klebeband (z. B. schwarzes Isolierband) zugeklebt werden.

Hinweis: Bei Fragen zum Entladen der Batterie setzen Sie sich bitte mit einem Techniker oder Ihrer örtlichen Sammelstelle in Verbindung.

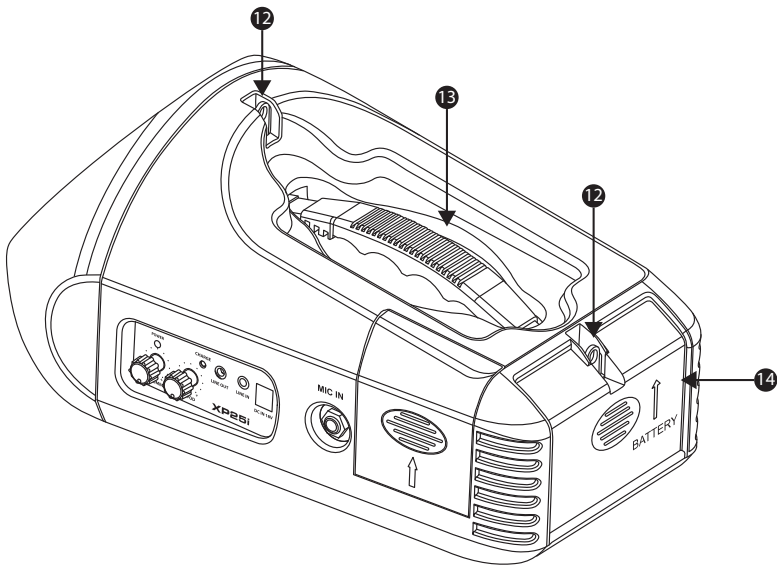
Vorsicht: Der Akku darf unter keinen Umständen verbrannt werden, da er explodieren könnte.

XP25i Regler und Layout

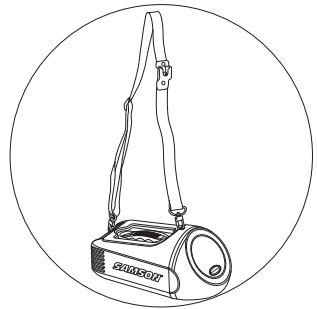


- Lautsprecher** - breitbandiger 5" Hochleistungswandler mit Papierkonus.
- Pegel/Netz-Regler** - Dieser Drehregler steuert den Pegel des Mikrofoneingangs und schaltet das Gerät ein/aus. Um das System einzuschalten, drehen Sie den Regler nach rechts. Um das System auszuschalten, drehen Sie den Regler nach links, bis er klickt.
- Netzanzeige** - Wenn die ROTE LED leuchtet, ist das Gerät eingeschaltet und betriebsbereit.
- iPod Pegel** - Dieser Drehregler steuert den iPod Eingangspegel.
- Ladestatusanzeige (Charge)** - Während der Akku geladen wird, blinkt die Ladeanzeige GRÜN. Wenn der Akku komplett geladen ist, leuchtet sie konstant GRÜN. Wenn das Gerät eingeschaltet und der Akku schwach ist, blinkt die Ladeanzeige ROT.
- Line Out-Buchse** - 1/8" (3,5mm) Aux Line-Ausgang. An diesem Ausgang liegen die Mikrofon-, iPod- und Line In-Signale an.
- Line In-Buchse** - 1/8" (3,5mm) Aux Line-Eingang zum Anschließen externer Signalquellen (CD Player, MP3 Player oder andere Geräte).
- DC-Eingang** - Zum Anschluss des beiliegenden AC/DC-Adapters, der den Akku auflädt oder das Gerät mit Spannung versorgt.
- Mikrofon-Eingang** - 1/4" (6,3mm) Buchse für Signale mit Mikrofonpegel. Schließen Sie das mitgelieferte Samson PT40M oder ein anderes hochohmiges Mikrofon an diesen Eingang an.
- iPod-Fach** - Das XP25i verfügt über ein integriertes iPod Dock, an das sich die meisten neueren iPod Modelle anschließen lassen. Das iPod Signal wird mit dem iPod Pegelregler (4) gesteuert.
- Mikrofonständeradapter** - 5/8" Innengewinde-Adapter zur Montage des XP25i auf einem Mikrofonständer.

XP25i Regler und Layout



12. Schultergurtbefestigung - Befestigen Sie den mitgelieferten Schultergurt an diesen beiden Halterungen. Zum Schultergurt gehört ein Mikrofonclip für das Samson PT40M Mikrofon.



13. Tragegriff - Ein ergonomisch konstruierter Tragegriff für den einfachen Transport.

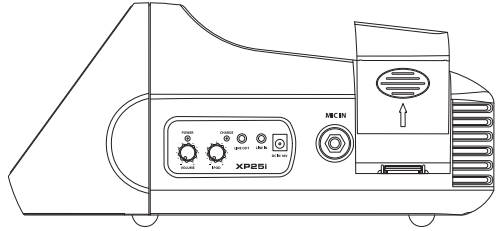
14. Batteriefach - Das XP25i wird mit einem vorinstallierten Akku ausgeliefert. Um den Akku zu ersetzen, öffnen Sie den Deckel des Faches und entfernen die Akku-Schutzplatte. Schieben Sie den alten Akku vorsichtig aus dem Fach und trennen Sie die ROTEN und SCHWARZEN Batteriekabel vom Akku. Verbinden Sie die Batteriekabel mit dem neuen Akku, indem Sie das ROTE Kabel an den positiven (+) Pol und das SCHWARZE Kabel an den negativen (-) Pol anschließen. Schieben Sie den Akku ins Fach, setzen Sie die Schutzplatte wieder ein und schieben Sie den Deckel des Faches zu.

Hinweis: Bei Fragen zum Ersetzen des Akkus kontaktieren Sie bitte Samson oder Ihren lokalen Vertrieb.

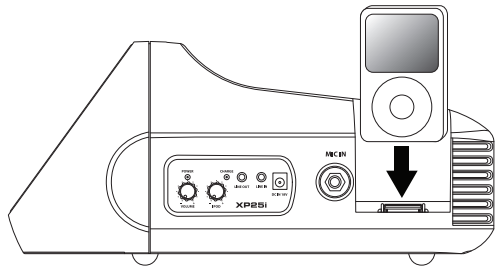
iPod anschließen

Um einen iPod mit Ihrem tragbaren XP25i PA-System zu verwenden, gehen Sie einfach wie folgt vor:

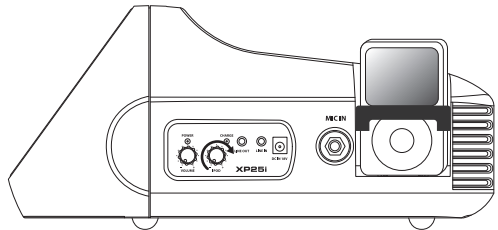
1. Schieben Sie den Deckel des iPod-Fachs nach oben, um ihn zu entfernen.



2. Installieren Sie Ihren iPod im XP25i, indem Sie den iPod auf den Anschluss schieben. Achten Sie darauf, dass der iPod korrekt sitzt und eine feste Verbindung zum Dock besteht.



3. Richten Sie den iPod-Schutzbügel an den Schienen auf beiden Seiten des Faches aus und schieben Sie ihn an seinen Platz.



4. Starten Sie die iPod-Wiedergabe und drehen Sie den iPod-Pegelregler nach rechts, bis die gewünschte Lautstärke erreicht ist.

ENGLISH

FRANÇAIS

DEUTSCHE

ESPAÑOL

ITALIANO

XP25i Technische Daten

System

Lautsprecher	5" Lautsprecher mit Neodym-Magnet
Frequenzgang	60 Hz - 15 kHz \pm 3 dB
Klirrfaktor	unter 1%
Verstärkerleistung	25 Watt
Signaleingänge.	1/4" Mic-Buchse, 1/8" Line In-Buchse, iPod Dock
Signalausgänge	1/8" (3,5 mm) Line Out-Buchse
MIC-Eingang	1/4" TRS-Buchse, asymmetrisch
Mic-Eingangsimpedanz	3,3 k Ω
Eingangsspegel	-14 dBu (Trim max.) bis +34 dBu
Akku	12 V DC / 2.6 AH
Ladezeit	4 Stunden
Betriebszeit	max. 8 Stunden
Externes Netzteil.	AC 100~240V /DC 18V

Mikrofon

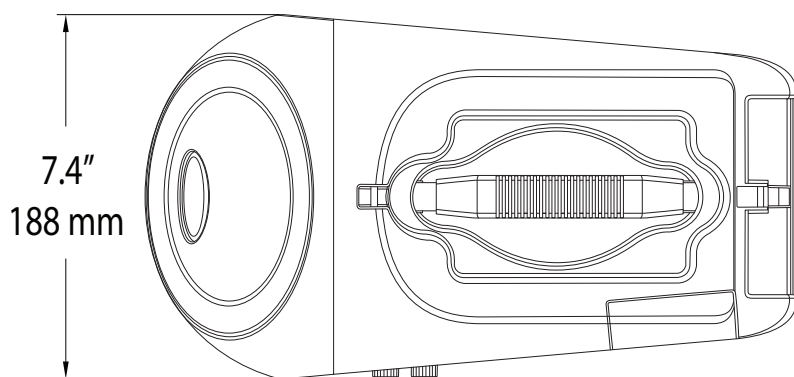
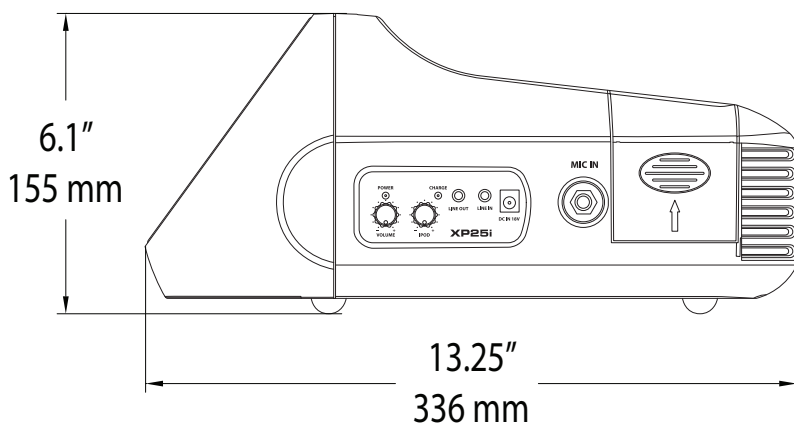
Typ	Samson PT40M, dynamisch, Drucktaste
Richtcharakteristik.	Niere (unidirektional)
Kabellänge	1 m Spiralkabel

Gehäuse

Bauweise.	Polypropylen, intern gerippt
Schutzgitter.	schwarz texturierte Vinyloberfläche
Montage	Interne Mikrofonständerhalterung
Abmessungen	336 mm L x 188 mm B x 155 mm H 13,25" L x 7,4" B x 6,1" H
Gewicht	2,5 kg / 5,5 lbs.

Technische Daten und Styling können unangekündigt geändert werden.

XP25i Abmessungen



ENGLISH

FRANÇAIS

DEUTSCHE

ESPAÑOL

ITALIANO

EC Konformitätserklärung

Samson Technologies Corporation, 45 Gilpin Ave, Hauppauge, NY 11788 USA, erklärt eigenverantwortlich, dass die Produkte:

Gerät:	tragbares PA-System
Modell:	XP25i

den grundlegenden Anforderungen folgender EU-Richtlinien entsprechen, wenn die Geräte entsprechend den in der Produktdokumentation enthaltenen Installationsanweisungen installiert werden:

73/23/EWG	LVD Richtlinie
89/336/EWG	EMC Richtlinie

und dass die unten aufgeführten Standards und/oder technischen Daten wie folgt angewandt wurden:

IEC 60065:2001+Amd 1:2005	Audio, Video und ähnliche elektronische Geräte - Sicherheitsanforderungen.
EN 55013:2001 +A1:2006	Bild- und Tonrundfunkempfänger und zugehörige Geräte - Rundfunkstöreigenschaften - Grenzen und Messmethoden.
EN 55020:2007	Bild- und Tonrundfunkempfänger und zugehörige Geräte — Störfestigkeitseigenschaften — Grenzen und Messmethoden.
EN 61000-3-2:2006 Class A	Elektromagnetische Kompatibilität (EMC) - Teil 3-2: Grenzen - Grenzen für Oberschwingungsstrom-Emissionen (Geräte-Eingangsspannung \leq 16 A pro Phase).
EN 61000-3-3:1995 +A1:2001+A2:2005	Teil 3-3: Grenzen - Begrenzung von Spannungsänderungen, Spannungsschwankungen und Flimmern in öffentlichen Niederspannungs-Versorgungssystemen, für Geräte mit einer Nennspannung \leq 16 A pro Phase und unabhängig von bedingten Anschlüssen.

Jahr der CE Kennzeichnung (Niederspannungsrichtlinie):	2010
--	------

Unterzeichnet im Auftrag des Herstellers:



Name: Douglas Bryant
Funktion: Vorstand Ingenieurwesen
Datum: 25/07/2010

Instrucciones importantes de seguridad



AVIS RISQUE DE CHOC ÉLECTRONIQUE - NE PAS OUVRIR

PRECAUCION: PARA REDUCIR EL RIESGO DE DESCARGAS ELECTRICAS, NO quite la carcasa (ni la tapa trasera). DENTRO DE LA UNIDAD NO HAY PIEZAS QUE PUEDAN SER REPARADAS POR EL USUARIO. CONSULTE CUALQUIER REPARACION SOLO CON PERSONAL TECNICO CUALIFICADO.



El símbolo de un rayo dentro de un triángulo equilátero se usa internacionalmente para alertar al usuario de la presencia de "voltajes peligrosos" no aislados dentro de la carcasa del aparato que pueden ser de magnitud suficiente para constituir un riesgo real de descarga eléctrica para las personas.



El símbolo de exclamación dentro de un triángulo equilátero se utiliza para advertir al usuario de la existencia de importantes instrucciones de uso y mantenimiento (reparaciones) en los documentos que acompañan a la unidad.

BATERIA RECARGABLE

PRECAUCION: Esta unidad contiene una batería recargable. Si no la cambia correctamente podría producirse una explosión. Sustituya la batería solo por otra idéntica o de tipo equivalente. No la exponga a fuentes de calor como la luz solar, fuego, etc. Debe reciclar la batería o deshacerse de ella siguiendo las instrucciones de eliminación que estén en vigor en su ciudad. No la queme. Contacte con el centro local de reciclaje para más información sobre la correcta eliminación de las baterías recargables.

ESTE DISPOSITIVO CUMPLE CON LO INDICADO EN LA SECCIÓN 15 DE LAS NORMAS FCC CLASE B. SU FUNCIONAMIENTO ESTÁ SUJETO A LAS DOS CONDICIONES SIGUIENTES: (1) ESTE APARATO NO PUEDE PRODUCIR INTERFERENCIAS MOLESTAS, Y (2) ESTE APARATO DEBE ACEPTAR CUALQUIER INTERFERENCIA RECIBIDA, INCLUYENDO AQUELLAS QUE PUEDAN PRODUCIR UN FUNCIONAMIENTO NO DESEADO DE LA UNIDAD.



A la hora de deshacerse de este aparato, no lo elimine junto con la basura orgánica. Existe un procedimiento de eliminación de aparatos electrónicos usados que cumple con la legislación actual sobre tratamiento, recuperación y reciclaje de elementos electrónicos.

Todos los usuarios no profesionales y que sean ciudadanos de uno de los 25 países miembros de la EU, Suiza y Noruega, pueden devolver sus aparatos electrónicos usados, sin coste alguno, al comercio en el que fueron adquiridos (si adquiere allí otro aparato similar) o en determinados puntos limpios designados

En el caso de cualquier otro país distinto a los anteriores, póngase en contacto con las autoridades locales para que le informen del método adecuado para deshacerse de este aparato. El hacer lo anterior le asegurará que este aparato sea eliminado siguiendo las normas actuales de tratamiento, recuperación y reciclaje de materiales, evitando los posibles efectos negativos para el medio ambiente y la salud.

Instrucciones importantes de seguridad

1. Lea estas instrucciones.
2. Conserve estas instrucciones.
3. Preste atención a todos los avisos.
4. Siga todo lo indicado en las instrucciones.
5. No exponga este aparato a salpicaduras ni coloque encima de él objetos que contengan líquidos.
6. Limpie este aparato solo con un trapo seco.
7. No bloquee ninguna de las aberturas de ventilación. Instale este aparato de acuerdo con las instrucciones del fabricante.
8. No instale este aparato cerca de fuente de calor como radiadores, calentadores, hornos o cualquier otro aparato (incluyendo amplificadores) que produzcan calor.
9. Utilice solo accesorios/complementos que hayan sido especificados por el fabricante.
10. Desconecte de la corriente este aparato durante las tormentas eléctricas o cuando no lo vaya a usar durante un periodo de tiempo largo.
11. No anule el sistema de seguridad que supone un enchufe de corriente polarizado o con toma de tierra. Un enchufe polarizado tiene dos bornes de distinta anchura. Uno con toma de tierra tiene dos bornes iguales y una lámina para la conexión a tierra. El borne ancho del primer tipo de enchufe y la lámina del otro se incluyen para su seguridad. Si el enchufe que se incluye con la unidad no encaja en su salida de corriente, haga que un electricista cambie su salida anticuada.
12. Coloque el cable de corriente de forma que no pueda quedar aplastado o retorcido, especialmente allí donde estén los conectores, receptáculos y en el punto en que el cable sale del aparato.
13. Utilice este aparato solo con un bastidor, soporte, trípode o superficie especificado por el fabricante o que se venda con el propio aparato. Cuando utilice un bastidor con ruedas, tenga cuidado al mover la combinación bastidor/aparato para evitar posibles daños en caso de que vuelquen.
14. Consulte cualquier posible avería al servicio técnico oficial. Este aparato deberá ser revisado cuando se haya dañado de alguna forma, como por ejemplo si el cable de corriente o el enchufe se ha roto, si se ha derramado cualquier líquido o se ha introducido un objeto dentro de la unidad, si el aparato ha quedado expuesto a la lluvia o la humedad, si no funciona normalmente o si se ha caído al suelo.
15. INTERRUPTOR DE ENCENDIDO: Para aquellos aparatos que dispongan de interruptor de encendido, debe saber que dicho interruptor NO CORTA la conexión de la fuente eléctrica.
16. DESCONEXION DE LA FUENTE ELECTRICA: Coloque el aparato de forma que siempre pueda acceder al cable de alimentación. En casos de bastidores rack o instalaciones en las que no pueda acceder fácilmente al cable, deberá incorporar en la instalación eléctrica del bastidor o del edificio un interruptor de corriente multipolar con una separación de los contactos de al menos 3 mm entre cada polo.
17. PARA UNIDADES EQUIPADAS CON UN RECEPTACULO DE FUSIBLE ACCESIBLE DESDE EL EXTERIOR: Sustituya este fusible solo por otro de idénticas características.
18. VOLTAJE DE ENTRADA MULTIPLE: Este aparato puede hacer necesario el uso de un cable de alimentación o enchufe distintos (o ambos), dependiendo de la fuente de alimentación que disponga. Conecte este aparato solo a una fuente de salida con el voltaje / amperaje indicados en el panel trasero. Para reducir el riesgo de incendios o descargas eléctricas, dirija cualquier posible reparación al servicio técnico oficial.



Indice

Introducción	38
Características del XP25i	39
Baterías de célula de gel	40
Controles del XP25i	41
Controles del XP25i	42
Conexión a un iPod	43
Especificaciones técnicas del XP25i	44
Dimensiones del XP25i	45

ENGLISH

FRANÇAIS

DEUTSCHE

ESPAÑOL

ITALIANO

Introducción

¡Enhorabuena por la compra de su sistema PA portátil a pilas "todo en uno" Samson Expedition XP25i!. Este aparato es un sistema de sonido ligero, compacto y personal que resulta perfecto para su uso en distintas aplicaciones móviles, como por ejemplo por guías de viajes y en actividades extraescolares. El XP25i le proporciona un sonido extraordinariamente limpio; le ofrece 25 vatios de potencia en un altavoz de 5 pulgadas de rango completo. El XP25i dispone de un dock iPod integrado para la reproducción de discursos pregrabados, avisos de megafonía o música. El XP25i también dispone de una sección de mezclador expandida con una entrada de micro, una entrada de línea y una salida de línea, así como controles de volumen independientes para el iPod y el micrófono. El sistema XP25i incluye un micrófono de tipo "pulsar para hablar" con un cable de un metro, bandolera, cargador de pilas y adaptador para soporte de micro.

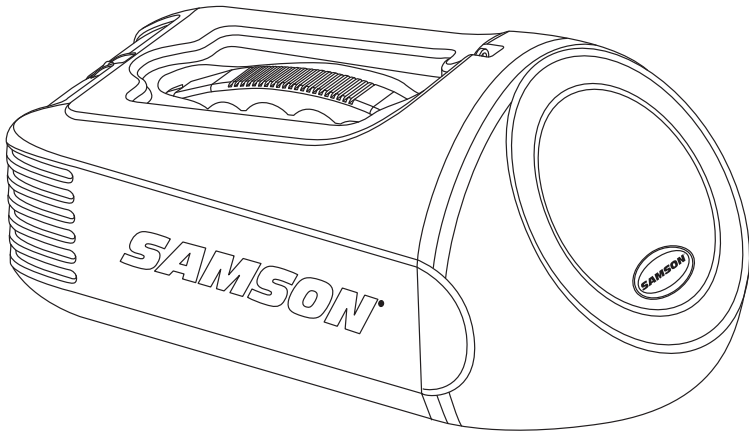
En este manual encontrará una descripción detallada de las características del PA portátil XP25i, así como una guía de su panel de control, instrucciones para su configuración y uso y las especificaciones técnicas del mismo. También encontrará una tarjeta de garantía. ¡No olvide cumplimentarla y devolvérsela por correo! Esto hará que pueda recibir soporte técnico online y que le podamos enviar información actualizada acerca de este y otros productos Samson en el futuro. Además, no deje de visitar nuestra página web (<http://www.samsontech.com>) donde encontrará la última información sobre nuestra completa línea de productos.

Con unos mínimos cuidados, su XP25i le dará años de alegrías sin ningún problema. Le recomendamos que apunte aquí abajo su número de serie para cualquier referencia en el futuro.

Número de serie: _____

Fecha de compra: _____

En el improbable caso de que este aparato deba ser reparado, deberá solicitarnos un número de autorización de devolución (RA) antes de devolver esta unidad a Samson. Sin este número, ninguna unidad será aceptada. Póngase en contacto con Samson en el 1-800-3SAMSON (1-800-372-6766) para que le facilitemos el número de autorización de devolución antes de devolvernos la unidad. Trate de utilizar para el envío el embalaje y las protecciones originales. Si ha adquirido este producto Samson fuera de los Estados Unidos, póngase en contacto con su distribuidor local para que le informe de los términos de la garantía y condiciones de servicio aplicables.



A continuación le resumimos algunas de las exclusivas funciones del sistema PA portátil a pilas XP25i:

- Compacto, ligero, de diseño ergonómico y con asa y bandolera para poder transportarlo fácilmente.
- Batería interna recargable con una duración de 8 horas de funcionamiento continuo.
- Recarga de la batería en solo cuatro horas.
- Altavoz de 5" de alta eficiencia y rango completo.
- 25 vatios de potencia interna.
- Dock iPod integrado con control de volumen.
- Micrófono Samson PT40M de tipo "pulsar para hablar" con cable de tipo muelle de 1 metro incluido.
- Entrada y salida de línea que le permite utilizar esta unidad con otros dispositivos audio.
- LEDs indicadores de encendido y de carga de batería.
- Gracias a su diseño robusto puede llevarlo de un lado a otro y también puede usarlo colocado encima de una mesa o montado sobre un soporte de micro usando el adaptador incluido.
- Incluye cargador para batería.

Baterías de célula de gel

El XP25i es un sistema de sonido portátil a pilas que viene con una batería recargable de célula de gel instalada.

Antes de utilizar su XP25i por primera vez, tendrá que cargar la batería recargable durante cuatro horas como mínimo. Para ello, conecte el adaptador CA/DC incluido al XP25i. Mientras la unidad se esté cargando parpadeará el LED Battery. Cuando la batería del XP25i esté totalmente cargada, este LED se quedará iluminado fijo en verde.

Con un uso y cuidado adecuados, podrá disfrutar de la batería de su XP25i durante bastantes años. Para prolongar al máximo la vida útil de la batería siga estas instrucciones:

- Cargue el XP25i completamente después de cada uso.
- No exponga la pila a temperaturas excesivamente elevadas.
- Evite que la batería se descargue del todo.
- Guarde siempre su XP25i totalmente cargado.
- Cuando no vaya a usar la unidad durante bastante tiempo debería realizar como mínimo una recarga completa cada seis meses.

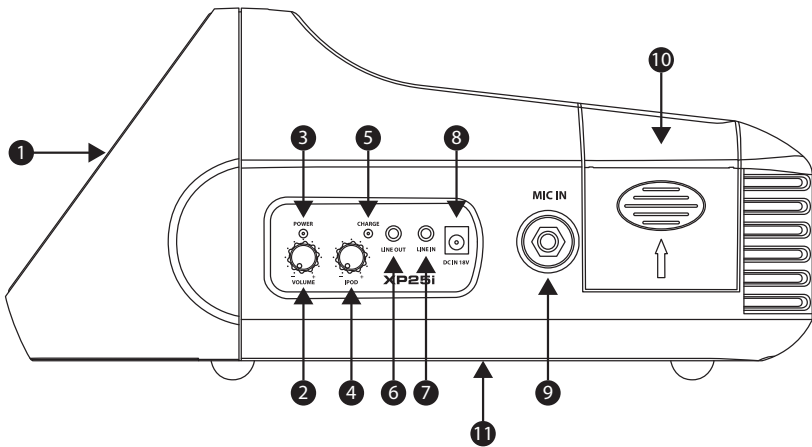
Nota: El no recargar la batería en el periodo de seguridad indicado anteriormente puede hacer que la batería no conserve la carga, en cuyo caso tendrá que cambiarla. La duración de la pila varía en función de la temperatura, el tiempo que tenga y el uso que haga de ella.

Las baterías de célula de gel no deben ser eliminadas junto con la basura orgánica. A la hora de eliminarlas, vaya a un "punto verde" (centro de reciclaje selectivo) adecuado o a un comercio del ramo. Para evitar posibles cortocircuitos, descargue totalmente la batería antes de deshacerse de ella y cubra sus terminales con cinta aislante.

Nota: Si tiene cualquier duda acerca de cómo descargar esta batería, póngase en contacto con el servicio técnico o con el "punto verde" local.

Atención: Bajo ninguna circunstancia trate de quemar o echar esta batería al fuego, dado que eso puede dar lugar a una explosión.

Controles del XP25i



1. **Altavoz** - Transductor de 5" con cono de papel, de alta eficiencia y rango completo.
2. **Control Volume/Power** - Controla el nivel de la entrada de micro y le permite encender y apagar la unidad. Gire el control hacia la derecha para encender el sistema o hacia la izquierda (hasta que haga clic) para apagarlo.
3. **Indicador Power** - Este piloto se enciende en ROJO para indicarle que la unidad está encendida y preparada para su uso.
4. **Nivel del iPod** - Controla el nivel de la señal enviada desde el iPod al altavoz.
5. **Indicador Charge** - Parpadea en VERDE mientras se está cargando la batería, se queda encendido fijo en VERDE cuando la batería está totalmente cargada y parpadeará en ROJO cuando la batería se esté agotando con la unidad en marcha.
6. **Toma Line Out** - Salida de línea auxiliar de 3.5 mm. Aquí están presentes las señales de entrada de
7. **Toma Line In** - Entrada de línea auxiliar de 3.5 mm para conectar una fuente de sonido externa (reproductor de CD, MP3 o salida de línea audio de otro dispositivo).
8. **Entrada DC In** - Conecte el adaptador AC/DC incluido para recargar la batería o para suministrar corriente a la unidad.
9. **Entrada de micro** - Toma de entrada de nivel micro de 6.3 mm. Conecte a esta entrada el micrófono Samson PT40M incluido u otro micro de alta impedancia.
10. **Compartimento iPod** - El XP25i dispone de un dock iPod interno que puede utilizar para conectar la mayoría de los modelos de iPod más recientes. La señal iPod es regulada por el control de nivel iPod (número 4).
11. **Adaptador para soporte de micro** - Adaptador hembra de 5/8" para montar el XP25i en un soporte para micro.

ENGLISH

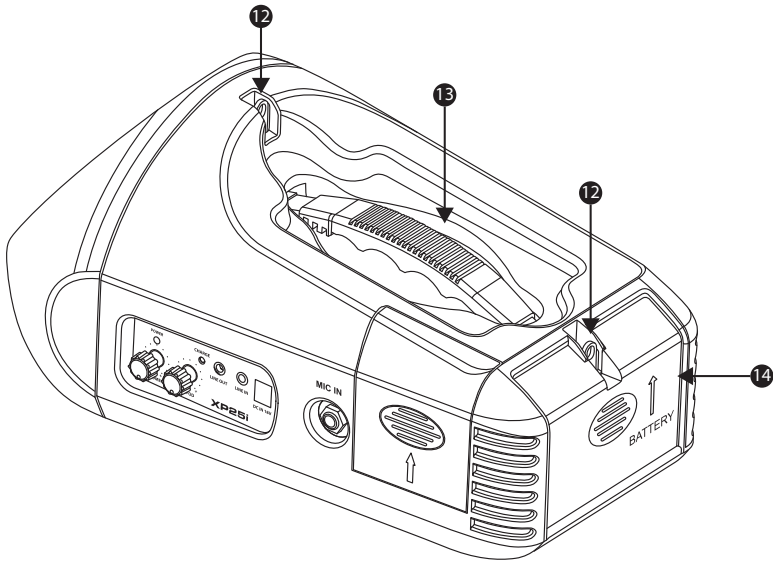
FRANÇAIS

DEUTSCHE

ESPAÑOL

ITALIANO

Controles del XP25i

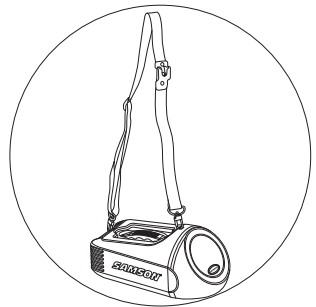


12. Conexión para bandolera - Conecte en estos dos puntos la bandolera incluida, que lleva un clip de micro para el micrófono Samson PT40M.

13. Asa - Es un asa ergónicamente diseñada para transportar fácilmente la unidad.

14. Compartimento para batería - El XP25i viene con una batería recargable instalada. Si alguna vez tiene que cambiarla, abra la tapa de este compartimento y retire la lámina de protección de la batería. Saque la batería vieja y desconecte los terminales de la batería ROJO y NEGRO. Conecte los terminales a la nueva batería. Conecte el cable ROJO al terminal positivo (+) y el NEGRO al negativo (-). Introduzca la nueva batería en el compartimento, vuelva a colocar la lámina de protección y cierre la tapa.

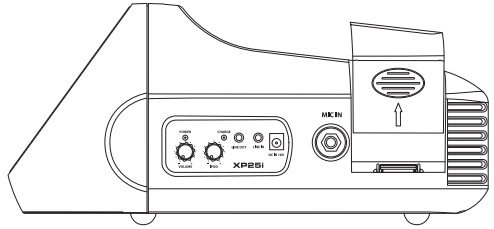
Nota: Si tiene alguna duda acerca de cómo cambiar la batería, contacte con Samson o con su distribuidor local.



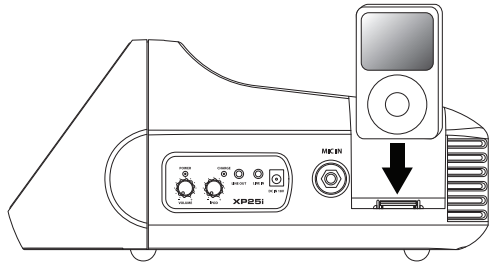
Conexión a un iPod

Para utilizar un iPod con su sistema PA portátil XP25i, haga lo siguiente:

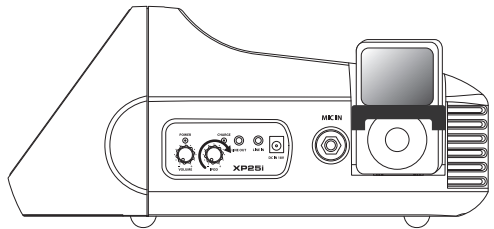
1. Deslice hacia arriba la tapa del compartimento del iPod para extraerla.



2. Instale su iPod en el XP25i deslizándolo hasta que quede sobre el conector. Asegúrese de que el iPod quede firmemente colocado y conectado en el dock.



3. Alinee la abrazadera de sujeción del iPod con las guías que hay a cada lado del compartimento y deslícela hasta que quede fija en su sitio.



4. Con el iPod en el modo de reproducción, gire hacia la derecha el control de nivel iPod para ajustar el volumen a su gusto.

ENGLISH

FRANÇAIS

DEUTSCHE

ESPAÑOL

ITALIANO

Especificaciones técnicas del XP25i

Sistema

Altavoz	Altavoz de 5" con imán de neodimio
Respuesta de frecuencia	60 Hz - 15 kHz \pm 3 dB
T.H.D.	Inferior al 1%
Potencia del amplificador	25 vatios
Entradas de señal	Toma de micro de 6,3 mm, de entrada de línea de 3,5 mm y dock iPod
Salidas de señal	Toma de salida de línea de 3.5 mm
Entrada MIC	toma TRS de 6,3 mm, no balanceada
Impedancia de entrada de micro	3.3 k Ω
Nivel de entrada	-14 dBu (Trim al máx.) a +34 dBu
Batería recargable	12 V DC / 2.6 AH
Tiempo de carga	4 horas
Duración de la pila.	Hasta 8 horas
Alimentación externa.	AC 100~240 V /DC 18 V

Micrófono

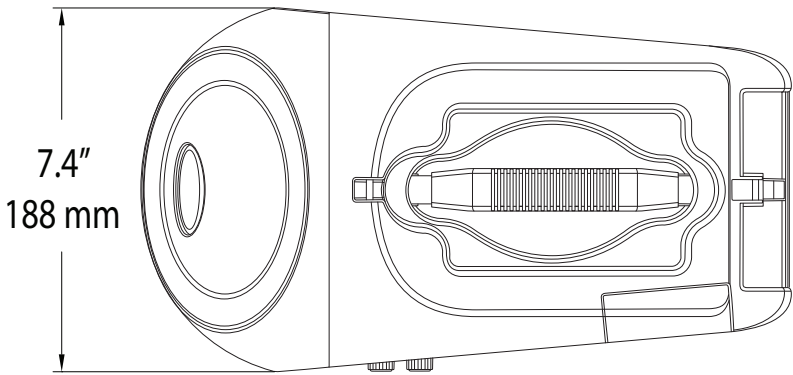
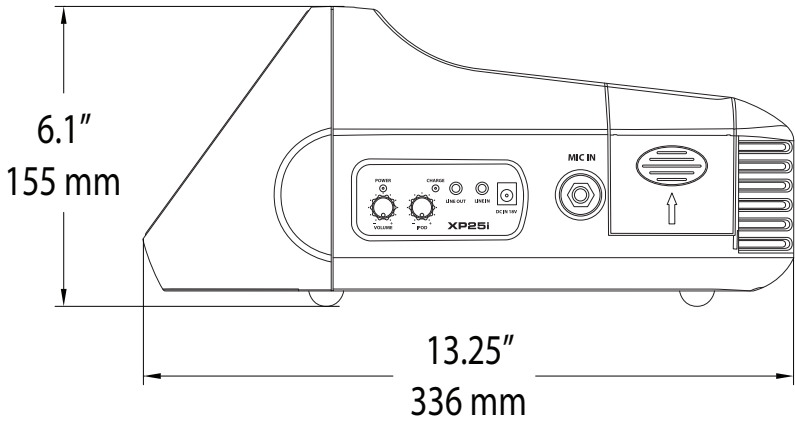
Tipo	Samson PT40M, dinámico, tipo "pulsar para hablar"
Patrón polar	Cardioide (Unidireccional)
Longitud de cable	1 metro (con muelle)

Carcasa

Material	Polipropileno internamente reforzado
Parrilla	Recubierta de vinilo negro
Montaje	Soporte para micro interno
Dimensiones	13.25" L x 7.4" P x 6.1" A 336 mm L x 188 mm P x 155 mm A
Peso.	5.5 lbs / 2.5 kg

Las especificaciones y el aspecto están sujetos a cambios sin previo aviso.

Dimensiones del XP25i



ENGLISH

FRANÇAIS

DEUTSCHE

ESPAÑOL

ITALIANO

Declaración de conformidad CE

Samson Technologies Corporation, con domicilio en 45 Gilpin Ave, Hauppauge, NY 11788 USA declara bajo su propia responsabilidad que el producto:

Tipo de aparato:	Sistema de PA portátil
Modelo:	XP25i

cumple con los requisitos esenciales de las siguientes Directivas CD una vez que ha sido instalado de acuerdo a las instrucciones de instalación que aparecen en la documentación de este producto:

73/23/EEC	Directiva LVD
89/336/EEC	Directiva EMC

y que los standards y/o especificaciones técnicas indicadas a continuación han sido aplicadas de la forma correspondiente:

IEC 60065:2001+Amd 1:2005	Aparatos electrónicos de audio, video y similares - Requisitos de seguridad.
EN 55013:2001 +A1:2006	Receptores de sonido y cadenas de TV y aparatos afines - Características de interferencias de radio - Límites y métodos de medición.
EN 55020:2007	Receptores de sonido y cadenas de TV y aparatos afines — Características de inmunidad — Límites y métodos de medición.
EN 61000-3-2:2006 clase A	Compatibilidad electromagnética (EMC) - Sección 3-2: Límites - Límites para la emisión de corriente armónica (amperaje de entrada del equipo ≤ 16 A por fase).
EN 61000-3-3:1995 +A1:2001+A2:2005	Sección 3-3: Límites - Limitación de cambios de voltaje, fluctuaciones y oscilación en sistemas de bajo voltaje, para equipos con un amperaje medio de ≤ 16 A por fase y que no estén sujetos a conexiones condicionadas.

Año de marca CE (Directiva de bajo voltaje):	2010
--	------

Firmado en nombre del fabricante: 

Nombre: Douglas Bryant

Cargo: Vicepresidente técnico

Fecha: 7/25/2010



Se desideri smaltire questo prodotto, occorre separarlo dai normali rifiuti domestici. In conformità alla legislazione, esiste un sistema di raccolta separato per i prodotti elettronici usati, il quale prevede particolari procedure di trattamento, stoccaggio e riciclo.

Nei 25 stati membri dell'UE, in Svizzera e in Norvegia, il privato cittadino può smaltire i propri prodotti elettronici usati rivolgendosi ad un rivenditore (in caso di acquisto di un nuovo prodotto simile), oppure presso apposite strutture per la raccolta, senza alcuna spesa a proprio carico.

Per altri Stati non menzionati nel paragrafo precedente, si prega di contattare le autorità locali per avere informazioni riguardanti i metodi corretti di smaltimento.

In questo modo, si assicura che il prodotto smaltito sarà sottoposto alle necessarie procedure di trattamento, stoccaggio e riciclo, prevenendo potenziali effetti negativi sull'ambiente e sulla salute umana.

Istruzioni di Sicurezza

1. Leggete le presenti istruzioni.
2. Conservate le presenti istruzioni.
3. Rispettare tutte le avvertenze.
4. Seguite tutte le istruzioni.
5. L'apparecchio non va esposto a sgoccioli o schizzi di liquido e bisogna evitare di sovrapporgli vasi o altri oggetti pieni di liquido.
6. Pulitelo esclusivamente con un panno asciutto.
7. Evitate di ostruire una qualsiasi delle aperture di ventilazione. Posizionatelo seguendo le istruzioni del costruttore.
8. Non posizionatelo vicino a sorgenti di calore come radiatori, scambiatori di calore, forni o altri apparecchi (amplificatori compresi) in grado di generare calore.
9. Usate esclusivamente collegamenti ed accessori specificati dal costruttore.
10. Staccate l'apparecchio dalla alimentazione in caso di temporali o tempeste o se non lo usate per un lungo periodo.
11. Non disattivate la protezione di sicurezza costituita dalla spina polarizzata o dotata di collegamento a terra. Una spina polarizzata è dotata di due spinotti, uno più piccolo ed uno più grande. Una spina dotata di collegamento a terra è dotata di due spinotti più un terzo spinotto di collegamento a terra. Questo terzo spinotto, eventualmente anche più grande, viene fornito per la vostra sicurezza. Se la spina fornita in dotazione non si adatta alla vostra presa, consultate un elettricista per la sostituzione della presa obsoleta.
12. Proteggete il cavo di alimentazione in modo che non sia possibile camminarci sopra né piegarlo, con particolare attenzione alle prese, ai punti di collegamento e al punto in cui esce dall'apparecchio.
13. Usate l'apparecchio esclusivamente con il supporto a carrello, a treppiede o a tavolo specificato dal costruttore o venduto con l'apparecchio. Se usate un carrello, fate attenzione quando spostate il carrello e l'apparecchio insieme, in modo da evitare danni causati dalla caduta dell'apparecchio e/o del carrello.
14. Per l'assistenza, fate riferimento esclusivamente a personale qualificato. È necessaria l'assistenza se l'apparecchio ha subito un qualsiasi tipo di danno, come danni al cavo o alla spina di alimentazione, nel caso in cui sia stato versato del liquido o siano caduti oggetti al suo interno, sia stato esposto a pioggia o umidità, non funzioni correttamente o sia stato fatto cadere.
15. **INTERRUTTORE DI ACCENSIONE:** nei prodotti dotati di interruttore di accensione, tale interruttore **NON** interrompe il collegamento con la presa di alimentazione.
16. **DISTACCO DELLA PRESA:** la spina deve rimanere facilmente raggiungibile. Nelle installazioni a rack o nelle quali la presa non è accessibile, è necessario incorporare nella installazione elettrica del rack o dell'edificio un interruttore che escluda tutti i poli di collegamento, con una separazione minima di almeno 3 mm tra ognuno dei poli.
17. **PER GLI APPARECCHI DOTATI DI RICETTACOLO PER FUSIBILE ACCESSIBILE DALL'ESTERNO:** il fusibile va sostituito esclusivamente con un altro fusibile dello stesso tipo e valore.
18. **TENSIONE DI INGRESSO MULTIPLA:** per questo apparecchio può essere necessario l'uso di un diverso cavo di alimentazione, di una diversa spina di collegamento o di entrambe, a seconda della sorgente di alimentazione disponibile nella installazione. Collegate questo apparecchio esclusivamente alla sorgente di alimentazione indicata sul pannello posteriore dell'apparecchio. Per ridurre il rischio di incendio o di scarica elettrica, per l'assistenza fate riferimento esclusivamente a personale di assistenza qualificato o equivalente.



Contenuti

Introduzione	50
XP25i - Caratteristiche	51
Batterie "Gel-Cell"	52
XP25i - Controlli e Funzioni	53
XP25i - Controlli e Funzioni	54
Il Collegamento dell'iPod	55
XP25i - Specifiche	56
XP25i - Dimensioni	57

ENGLISH

FRANÇAIS

DEUTSCHE

ESPAÑOL

ITALIANO

I prodotti Samson
in Italia sono distribuiti da
m. casale bauer spa
via iv novembre 6 - 8
40057 - Cadiano (BO)
Telefono: 0039 051 766 648
Fax: 0039 051 766 525
www.casalebauer.com

Introduzione

Vi ringraziamo per aver acquistato il sistema PA portatile integrato Expedition XP25i Samson alimentato a batterie. L'XP25i è un sistema personale, leggero, compatto, ideale per l'uso in un gran numero di applicazioni per presentazioni in esterno, guide turistiche ed attività scolastiche. L'XP25i fornisce un suono eccezionalmente chiaro ed offre 25 watt di potenza con un altoparlante da 5" sull'intero spettro audio. Particolarità unica dell'XP25i è il dock integrato per iPod, per la riproduzione di materiale pre-registrato, parlato, musicale o di avviso. L'XP25i dispone inoltre di una sezione mixer espansa con ingresso microfonic, ingresso di linea, uscita di linea e controlli di volume indipendenti per l'iPod ed il microfono. Il sistema XP25i comprende inoltre un microfono con attivazione a pulsante con cavo da circa 1 metro, cinghia a tracolla, carica-batterie ed adattatore da asta per il microfono.

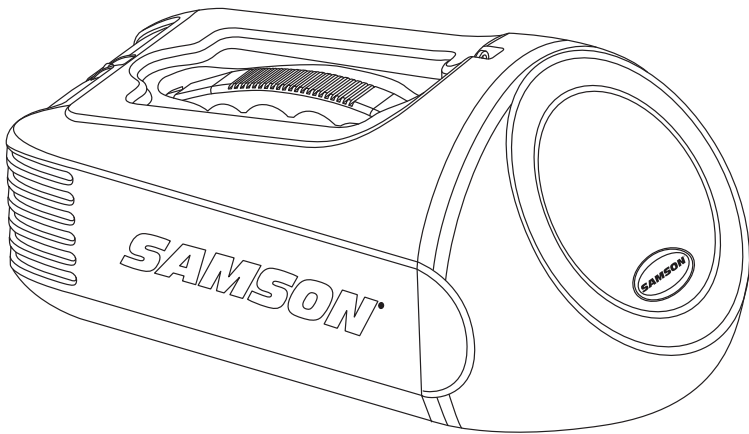
In queste pagine troverete una descrizione dettagliata delle caratteristiche dell'XP25i, la descrizione del suo pannello di controllo, istruzioni passo a passo per l'uso e le specifiche complete. Troverete anche inclusa la garanzia che vi preghiamo di compilare e inviare per posta, per permettervi di ricevere supporto tecnico in linea e informazioni aggiornate su questo e su altri futuri prodotti Samson. Vi invitiamo anche a visitare il nostro sito web (www.samson-tech.com) per informazioni complete sulla nostra intera linea di prodotti.

Se le trattate con cura, il vostro XP25i sarà in grado di funzionare senza problemi per molti anni. Vi raccomandiamo di registrarne il numero di serie nell'apposito spazio che segue, a memoria futura.

Numero di Serie: _____

Data di Acquisto: _____

Dovesse mai accadere che il vostro sistema necessiti di intervento in assistenza, contattate il distributore Samson della vostra nazione per richiedere, se necessario, un numero di Autorizzazione di Ritorno. In Italia, vi preghiamo di contattare la **m. casale bauer** via mail all'indirizzo info@casalebauer.com, oppure telefonicamente allo 051 - 766.648. Vi preghiamo di conservare i materiali di imballo originali e di usarli in caso di spedizione.



Ecco di seguito alcune delle caratteristiche del tutto uniche del sistema PA portatile XP25i a batteria.

- Design compatto, leggero ed ergonomico, facile da trasportare grazie alla maniglia integrata ed alla cinghia a tracolla.
- Batteria ricaricabile interna con 8 ore di uso continuo per ogni ricarica.
- La batteria si ricarica in sole quattro ore.
- Altoparlante da 5" ad efficienza elevata, sull'intero spettro audio.
- 25 watt di potenza interna.
- Dock per iPod integrato con controllo di volume.
- Microfono con attivazione a pulsante PT40M Samson, con cavo a molla da circa 1 metro in dotazione.
- L'ingresso e l'uscita di linea permettono l'uso di altri dispositivi audio.
- Indicatore LED di alimentazione e di carica della batteria.
- Costruzione robusta per l'uso durante il trasporto, su ripiano o su installazione, con l'uso dell'adattatore per asta microfonica in dotazione.
- Caricabatterie in dotazione.

Batterie "Gel-Cell"

L'XP25i è un sistema sonoro portatile alimentato a batteria, con batteria "Gel-Cell" installata.

Prima di usare l'XP25i per la prima volta, dovete caricare la batteria ricaricabile per almeno quattro ore. Per caricarla, collegate l'adattatore CA/CC all'XP25i. Durante la carica, il LED della batteria lampeggia. Quando la batteria dell'XP25i è completamente carica, il LED della Batteria rimane acceso fisso in verde.

Con il corretto uso e la corretta manutenzione, la batteria dell'XP25i è in grado di durare per molti anni. Ecco di seguito le istruzioni per ottenere la massima durata della batteria interna

- Caricate completamente la batteria dell'XP25i dopo ogni uso.
- La batteria non va esposta a condizioni di caldo estremo.
- Evitate di scaricare del tutto la batteria.
- Conservate sempre l'XP25i in condizioni di carica completa.
- Se l'XP25i lo conservate a lungo senza usarlo, ogni sei mesi fate in modo di ricompletarne la carica della batteria.

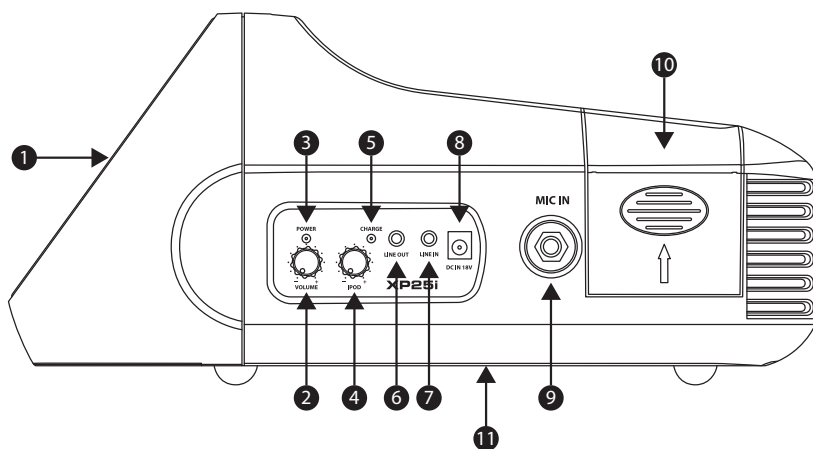
Nota: se conservate l'XP25i per molto tempo con una tensione al di sotto del valore critico, può succedere che la batteria non sia più in grado di mantenere la carica e, se questo accade, bisogna sostituirla. La durata della batteria può variare in base alla temperatura, all'età ed all'uso del prodotto.

Le batterie ricaricabili "gel-cell" non vanno smaltite con i comuni rifiuti domestici. Per smaltirla, portatela presso uno dei siti pubblici di raccolta, oppure presso un negozio di batterie. Come protezione contro possibili cortocircuiti, prima di essere smaltite le batterie ricaricabili vanno scaricate completamente e bisogna coprirne i terminali con nastro adesivo isolante (per esempio, il comune nastro adesivo da elettricista).

Nota: per qualsiasi dubbio su come scaricare la batteria, contattate un tecnico, oppure il centro di raccolta più vicino.

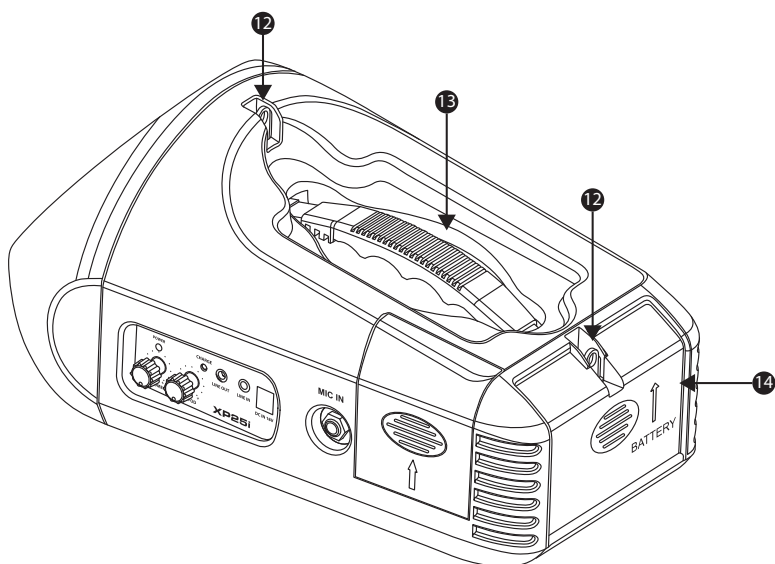
Attenzione: la batteria non va in nessun caso incenerita, dato che questo potrebbe causarne l'esplosione.

XP25i - Controlli e Funzioni



- 1. Altoparlante** - trasduttore da 5" a cono di carta, ad efficienza elevata sull'intero spettro audio.
- 2. Controllo di Accensione/Volume** - è il controllo rotativo che regola il livello dell'ingresso microfonico e permette di accendere e spegnere l'apparecchio. Ruotatelo in senso orario per accendere il sistema, in senso antiorario fino allo scatto per spegnerlo.
- 3. Indicatore di Alimentazione** - LED rosso che si accende ad indicare che l'apparecchio è alimentato e pronto per l'uso.
- 4. Livello dell'iPod** - è il controllo rotativo che regola il livello dell'iPod nell'altoparlante.
- 5. Indicatore di Carica** - l'indicatore di carica lampeggia in VERDE durante la ricarica della batteria, per accendersi fisso quando la carica della batteria è completa. Lampeggia in ROSSO quando l'apparecchio è acceso e la carica della batteria è scarsa.
- 6. Uscita di Linea** - Uscita di Linea ausiliaria da 1/8" (3,5mm). A questa uscita sono presenti i segnali dal Microfono, dall'iPod e dall'Ingresso di Linea.
- 7. Ingresso di Linea** - Ingresso di Linea ausiliario da 1/8" (3,5mm) per il collegamento di una sorgente sonora esterna (lettore CD, MP3 o uscita di linea da un altro apparecchio).
- 8. Ingresso in CC** - è qui che va collegato l'adattatore CA/CC in dotazione per l'alimentazione dell'apparecchio o per la ricarica della batteria.
- 9. Ingresso per il Microfono** - ingresso da 1/4" (6,3mm) a livello microfonico. È qui che va collegato il PT40M Samson in dotazione, o un altro microfono ad impedenza elevata.
- 10. Compartimento per l'iPod** - l'XP25i dispone di dock per iPod interno, per la maggior parte dei modelli di iPod più recenti. Il segnale è regolato dall'apposito Livello per iPod (vedi punto 4).
- 11. Adattatore per Asta Microfonica** - adattatore femmina da 5/8" per l'installazione dell'XP25i su asta microfonica.

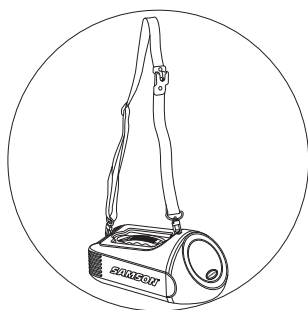
XP25i - Controlli e Funzioni



12. Attacchi per la cinghia a tracolla - sono i due punti di connessione ai quali va collegata la cinghia a tracolla in dotazione, dotata di clip microfonica per il PT40M Samson incluso.

13. Maniglia - maniglia da trasporto ergonomica, progettata per facilitare il trasporto dell'apparecchio.

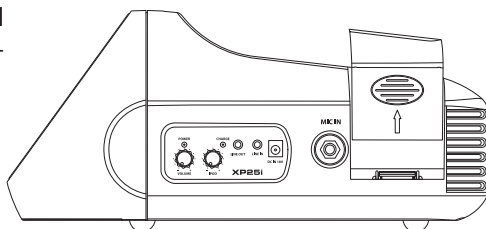
14. Compartimento della Batteria - l'XP25i ha installata una batteria ricaricabile. Nel caso aveste bisogno di sostituirla, aprite il coperchio del compartimento e rimuovete la piastra di protezione della batteria. Fate gentilmente scivolare la vecchia batteria fuori dal compartimento e staccatene i collegamenti ROSSO e NERO. Collegateli poi ad una batteria nuova in modo che il cavo ROSSO sia collegato al terminale positivo (+) ed il NERO al negativo (-). Fate scivolare la nuova batteria all'interno del compartimento, rimettete a posto la piastra di protezione e fate scivolare il coperchio del compartimento fino a chiuderlo. *Nota: per qualsiasi informazione sulla sostituzione della batteria, contattateci alla Samson, oppure contattate il vostro distributore.*



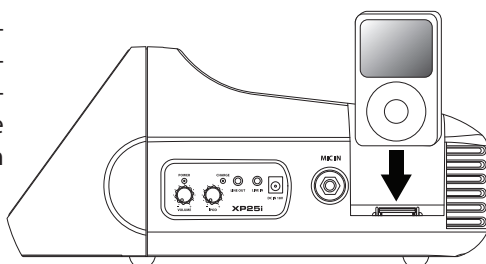
Il Collegamento dell'iPod

Ecco le semplici istruzioni per l'uso di un iPod col sistema PA portatile XP25i.

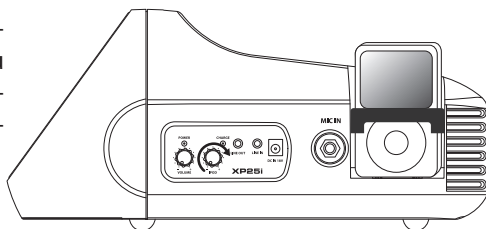
1. Per aprire il coperchio del compartimento dell'iPod fatelo scivolare verso l'alto.



2. Installate l'iPod nell'XP25i facendolo scivolare sul connettore. Accertatevi che sia inserito correttamente nel dock e che il collegamento sia ben fermo.



3. Allineate la fascetta di protezione dell'iPod negli incavi su ognuno dei lati del compartimento e fatela scivolare in posizione.



4. Mettete l'iPod in riproduzione e ruotate in senso orario il controllo di livello dedicato all'iPod, fino a raggiungere il livello di volume desiderato.

ENGLISH

FRANÇAIS

DEUTSCHE

ESPAÑOL

ITALIANO

XP25i - Specifiche

Sistema

Altoparlante	altoparlante da 5" con magnete al neodimio
Risposta in Frequenza	da 60Hz a 15kHz \pm 3dB
T.H.D.	inferiore all'1%
Potenza di Amplificazione	25 Watt
Ingressi di Segnale	jack da 1/4" Mic, jack da 1/8" di Linea, dock per iPod
Uscite di Segnale	jack da 1/8" (3,5mm) di Linea
Ingresso MIC	jack da 1/4" TRS, sbilanciato
Impedenza Ingresso Mic	3,3 k Ω
Livello Max. Ingresso Mic	-10 dBu (guadagno contenuto)
Livello Max. Ingresso Mic	-34 dBu (guadagno max.)
Livello Max. Ingresso di Linea	-10 dBu (senza controllo di guadagno)
Batteria Ricaricabile	12 V DC / 2,6 AH
Tempo di Ricarica	4 ore
Tempo di Funzionamento	fino a 8 ore
Alimentazione esterna	in CA, da 100 a 240V / in CC a 18V

Microfono

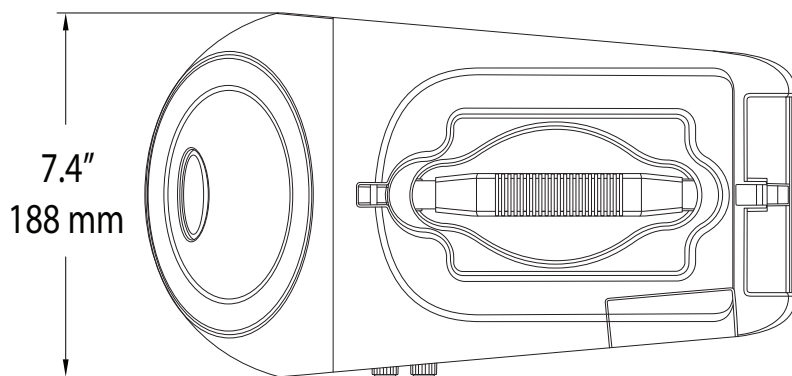
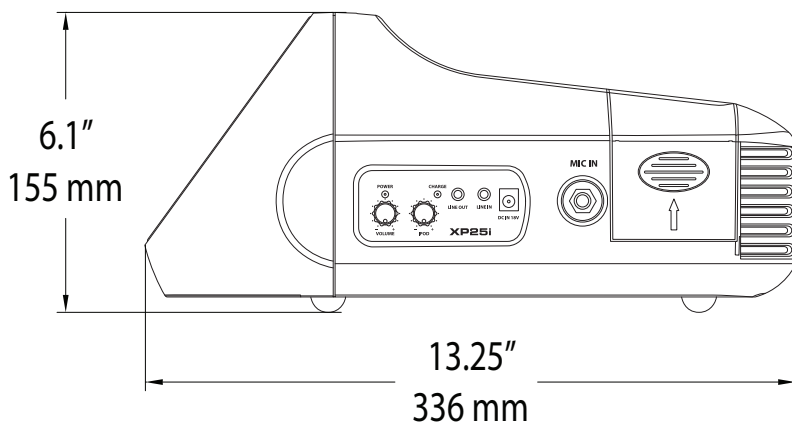
Tipo	dinamico, con tasto di attivazione, PT40M Samson
Risposta Polare	cardioide (unidirezionale)
Lunghezza del Cavo	cavo a molla da 3' (91 cm. circa)

Dettagli Esterni

Costruzione	in polipropilene, internamente rinforzato
Griglia	copertura in vinile nero intessuto
Montaggio	ricettacolo interno per asta microfonica
Dimensioni	336mm L x 188mm P x 155mm A 13,25" L x 7,4" P x 6,1" A
Peso	2,5 kg / 5,5 lbs

Specifiche ed aspetto esterno soggetti a variazione senza preavviso.

XP25i - Dimensioni



ENGLISH

FRANÇAIS

DEUTSCHE

ESPAÑOL

ITALIANO

EC Declaration of Conformity

We, Samson Technologies Corporation, located at 45 Gilpin Ave, Hauppauge, NY 11788 USA declare under our own responsibility that the Products:

Equipment:	Portable PA System
Model:	XP25i


are in conformity with the essential requirements of the following EC Directive(s) when installed in accordance with the installation instructions contained in the product documentation:

73/23/EEC	LVD Directive
89/336/EEC	EMC Directive

and that the standards and/or technical specifications referenced below have been applied as indicated:

IEC 60065:2001+Amd 1:2005	Audio, video and similar electronic apparatus - Safety requirements.
EN 55013:2001 +A1:2006	Sound and television broadcast receivers and associated equipment - Radio disturbance characteristics - Limits and methods of measurement.
EN 55020:2007	Sound and television broadcast receivers and associated equipment — Immunity characteristics — Limits and methods of measurement.
EN 61000-3-2:2006 class A	Electromagnetic compatibility (EMC) - Part 3-2: Limits - Limits for harmonic current emissions (equipment input current \leq 16 A per phase).
EN 61000-3-3:1995 +A1:2001+A2:2005	Part 3-3: Limits - Limitation of voltage changes, voltage fluctuations and flicker in public low-voltage supply systems, for equipment with rated current \leq 16 A per phase and not subject to conditional connection.

Year of CE Marking (Low Voltage Directive):	2010
---	------

Signed on behalf of the manufacturer: 

Name: Douglas Bryant
Position: Vice President Engineering
Date: 7/25/2010

SAMSON[®]

45 Gilpin Avenue

Hauppauge, New York 11788-8816

Phone: 1-800-3-SAMSON (1-800-372-6766)

Fax: 631-784-2201

www.samsontech.com

Free Manuals Download Website

<http://myh66.com>

<http://usermanuals.us>

<http://www.somanuals.com>

<http://www.4manuals.cc>

<http://www.manual-lib.com>

<http://www.404manual.com>

<http://www.luxmanual.com>

<http://aubethermostatmanual.com>

Golf course search by state

<http://golfingnear.com>

Email search by domain

<http://emailbydomain.com>

Auto manuals search

<http://auto.somanuals.com>

TV manuals search

<http://tv.somanuals.com>