

MEDIAONE BT

ACTIVE STUDIO MONITORS WITH BLUETOOTH



OWNER'S MANUAL

SAMSON[®]

Copyright 2013
v3.6
Samson Technologies Corp.
45 Gilpin Avenue
Hauppauge, New York 11788-8816
Phone: 1-800-3-SAMSON (1-800-372-6766)
Fax: 631-784-2201
www.samsontech.com

The *Bluetooth*® word mark and logos are registered trademarks owned by Bluetooth SIG, Inc. and any use of such marks by Samson Technologies is under license. Other trademarks and trade names are those of their respective owners.”

Important Safety Information



AVIS
RISQUE DE CHOC ÉLECTRONIQUE -
NE PAS OUVRIR

WARNING: TO REDUCE THE RISK OF ELECTRIC SHOCK, DO NOT REMOVE COVER (OR BACK) AS THERE ARE NO USER-SERVICEABLE PARTS INSIDE. REFER SERVICING TO QUALIFIED SERVICE PERSONNEL.



This lightning flash with arrowhead symbol within an equilateral triangle is intended to alert the user to the presence of non-insulated “dangerous voltage” within the product’s enclosure that may be of sufficient magnitude to constitute a risk of electric shock.



The exclamation point within an equilateral triangle is intended to alert the user to the presence of important operating and maintenance instructions in the literature accompanying the appliance.






If you want to dispose this product, do not mix it with general household waste. There is a separate collection system for used electronic products in accordance with legislation that requires proper treatment, recovery and recycling.

Private household in the 25 member states of the EU, in Switzerland and Norway may return their used electronic products free of charge to designated collection facilities or to a retailer (if you purchase a similar new one).

For Countries not mentioned above, please contact your local authorities for a correct method of disposal.

By doing so you will ensure that your disposed product undergoes the necessary treatment, recovery and recycling and thus prevent potential negative effects on the environment and human health.

Important Safety Information

1. Read these instructions.
2. Keep these instructions.
3. Heed all warnings.
4. Follow all instructions.
5. Do not use this apparatus near water.
6. Clean only with dry cloth.
7. Do not block any ventilation openings. Install in accordance with the manufacturer's instructions.
8. Do not install near any heat sources such as radiators, heat registers, stoves, or other apparatus (including amplifiers) that produce heat.
9. Do not defeat the safety purpose of the polarized or grounding type plug. A polarized plug has two blades with one wider than the other. A grounding type plug has two blades and a third grounding prong. The wide blade or the third prong are provided for your safety. If the provided plug does not fit into your outlet, consult an electrician for replacement of the obsolete outlet.
10. Protect the power cord from being walked on or pinched particularly at the plugs, convenience receptacles, and at the point where they exit from the apparatus.
11. Only use attachments/accessories specified by the manufacturer.
12. Use only with the cart, stand, tripod, bracket, or table specified by the manufacturer, or sold with the apparatus. When a cart is used, use caution when moving the cart/apparatus combination to avoid injury from tip-over.
13. Unplug the apparatus during lightning storms or when unused for long periods of time.
14. Refer all servicing to qualified personnel. Servicing is required when the apparatus has been damaged in any way, such as power supply cord or plug is damaged, liquid has been spilled or objects have fallen into the apparatus has been exposed to rain or moisture, does not operate normally, or has been dropped.
15. The apparatus shall not be exposed to dripping or splashing and that objects filled with liquids, such as vases, shall not be placed on apparatus.
16. Caution-to prevent electric shock, match wide blade plug wide slot fully insert.
17. Please keep a good ventilation environment around the entire unit.
18. **WARNING:** The mains plug/appliance coupler is used as disconnect device, the disconnect device shall remain readily operable.
19.  This equipment is a Class II or double insulated electrical appliance. It has been designed in such a way that it does not require a safety connection to electrical earth.
20.  **Correct Disposal of this product.** This marking indicates that this product should not be disposed with other household wastes throughout the EU. To prevent possible harm to the environment or human health from uncontrolled waste disposal, recycle it responsibly to promote the sustainable reuse of material resources. To return your used device, please use the return and collection systems or contact the retailer where the product was purchased. They can take this product for environmental safe recycling.
21. No naked flame sources, such as lighted candles, should be placed on the apparatus.

Important Safety Information

FCC Notice

1. This device complies with Part 15 of the FCC Rules. Operation is subject to the following two conditions:
 - (1) This device may not cause harmful interference.
 - (2) This device must accept any interference received, including interference that may cause undesired operation.
2. Changes or modifications not expressly approved by the party responsible for compliance could void the user's authority to operate the equipment.

FCC Statement

This equipment has been tested and found to comply with the limits for a Class B digital device, pursuant to Part 15 of the FCC Rules. These limits are designed to provide reasonable protection against harmful interference in a residential installation.

This equipment generates uses and can radiate radio frequency energy and, if not installed and used in accordance with the instructions, may cause harmful interference to radio communications. However, there is no guarantee that interference will not occur in a particular installation. If this equipment does cause harmful interference to radio or television reception, which can be determined by turning the equipment off and on, the user is encouraged to try to correct the interference by one or more of the following measures:

- Reorient or relocate the receiving antenna.
- Increase the separation between the equipment and receiver.
- Connect the equipment into an outlet on a circuit different from that to which the receiver is connected.
- Consult the dealer or an experienced radio/TV technician for help.

RF Warning Statement

The device has been evaluated to meet general RF exposure requirement. The device can be used in portable exposure condition without restriction.

This device complies with RSS-310 of Industry Canada. Operation is subject to the condition that this device does not cause harmful interference.

CE2200

ENGLISH

FRANÇAIS

DEUTSCHE

ESPAÑOL

ITALIANO

Table of Contents

Introduction.	7
MediaOne BT Features.	8
MediaOne BT Layout	9
Positioning the Speakers.	11
Pairing with a <i>Bluetooth</i> [®] Device	12
Making Connections.	13
Aux Input	14
Specifications.	15

Introduction

Thank you for purchasing the MediaOne BT Studio Reference Monitor with streaming *Bluetooth®* audio from Samson Technologies. Whether you are in need of a monitor system for your digital recording studio, a video production suite, or if you just want better speakers for gaming and listening to music on your computer, the MediaOne is the perfect solution. The monitor system produces a powerful, full-range sound thanks to the internal amplifier, extended range copolymer woofers, and 1" silk dome tweeters. Plus, the MediaOne system delivers deep bass and extended highs in an amazingly compact size.

The MediaOne system includes one active monitor for the right-side and a passive monitor for the left-side. For easy integration into your audio system, the speakers feature the ability to connect two audio sources through either the rear panel RCA inputs or the front panel 3.5mm Aux input. For listening privacy, the speakers will mute when a pair of headphones are connected. *Bluetooth* connectivity allows you to stream music from your smartphone, tablet, or computer providing the freedom to listen to your music without docking or connecting any wires.

In these pages, you'll find a detailed description of the features of the MediaOne BT monitors, as well as a guided tour through its control panel, step-by-step instructions for its setup and use, and full specifications. You'll also find a warranty card enclosed—don't forget to fill it out and mail it in so that you can receive online technical support and so we can send you updated information about these and other Samson products in the future. Also, be sure to check out our website (www.samsontech.com) for complete information about our full product line.

We recommend you keep the following records for reference, as well as a copy of your sales receipt.

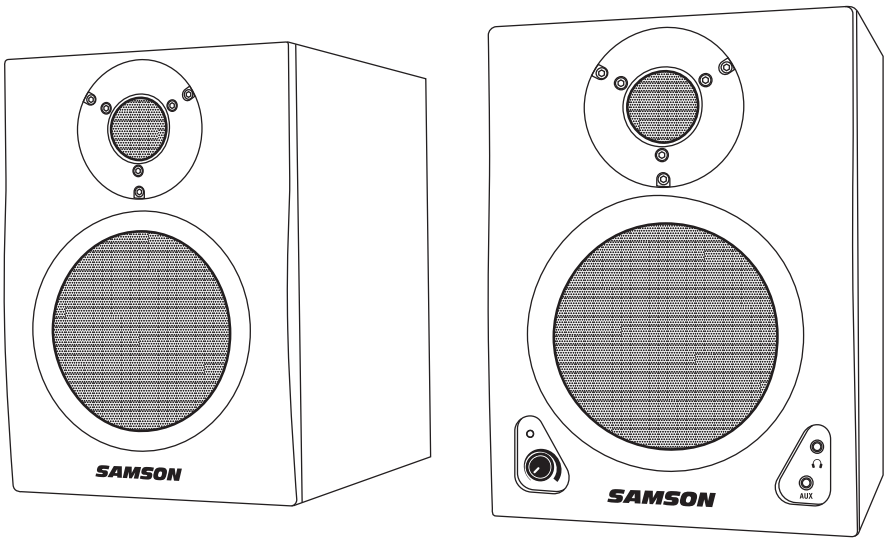
Serial number: _____

Date of purchase: _____

Dealer name: _____

With proper care and maintenance, your MediaOne BT monitors will operate trouble-free for many years. Should your speakers ever require servicing, a Return Authorization (RA) number must be obtained before shipping your unit to Samson. Without this number, the unit will not be accepted. Please call Samson at 1-800-3SAMSON (1-800-372-6766) for an RA number prior to shipping your unit. Please retain the original packing materials and, if possible, return the unit in its original carton. If your Expedition Express was purchased outside of the United States, contact your local distributor for warranty details and service information.

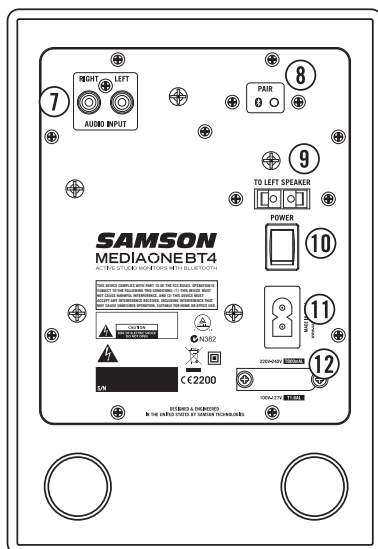
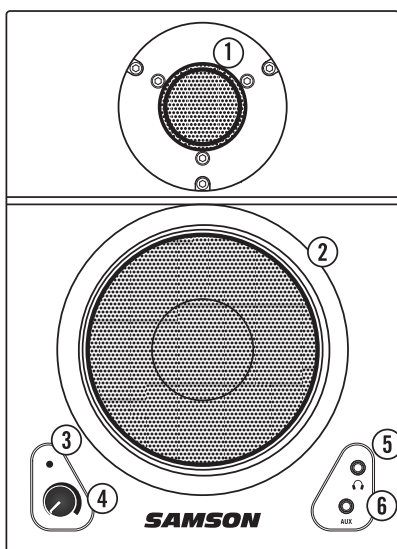
MediaOne BT Features



- Two-way, active studio monitors with ported, tuned enclosures providing extremely accurate monitoring for desktop recording, playback and multi-media applications.
- *Bluetooth*[®] connectivity for streaming music from your smartphone, computer, or other mobile device
- Copolymer woofers with butyl surrounds deliver tight and controlled bass response
- 1" silk dome high frequency driver set in a custom-designed wave guide. Produces smooth and natural high frequency response and a wide listening area
- Front panel volume control allows you to easily adjust level
- Front panel 3.5mm Aux input for connecting a second audio source from an MP3 player, laptop, or any stereo portable audio device
- Front panel stereo 3.5mm headphone jack automatically turns off the speakers when headphones are connected
- Rear panel RCA inputs accept standard -10 dBV line level input for connecting audio from your computer, mixer, and other stereo line level devices
- Solid MDF (Medium Density Fiberboard) construction, provides maximum sound pressure level

MediaOne BT Layout

Active Speaker (right speaker)



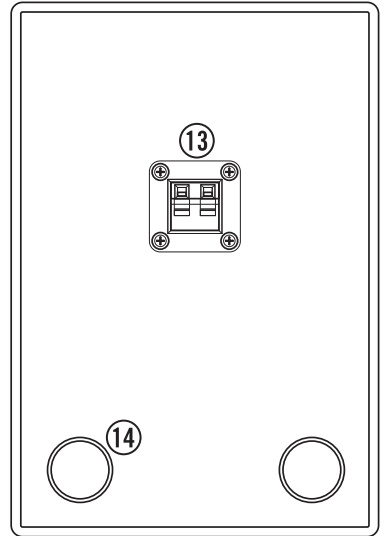
1. **Tweeter** - 1" silk dome tweeter set in a custom waveguide
2. **Low Frequency Driver** - Heavy duty woofer with a polypropylene cone and butyl surround for extend low frequency response
3. **Power/Pairing Indicator (active)** - Bi-color LED lights green indicating the unit is powered on, and blue when paired with a *Bluetooth* device. Alternatively flashes green and blue when in pairing mode
4. **VOLUME (active)** - Controls the overall amount of output level
5. **Headphone Jack** - 3.5mm stereo output jack for connecting headphones. The monitors automatically mute when headphones are connected
6. **Aux Input** - 3.5mm stereo input jack for connecting a second line level audio source.
7. **AUDIO INPUT** - Unbalanced, Stereo RCA-type input connectors, for connecting audio output from consumer level (-10dBV) devices such as a computer, MP3 player, or smartphone. The red connector is the for right input and the white is for the left input.

MediaOne BT Layout

8. **PAIR Switch** - Press this switch to activate discoverable mode to connect and pair with a *Bluetooth®* device
9. **TO LEFT SPEAKER** - Push Terminals for connecting the passive left-side extension speaker using the included two-conductor speaker cable. Be sure to match the polarity of the right and left speaker by matching the color of the terminals: connect the red speaker terminal of the right side speaker to the red speaker terminal for the left side speaker, and the black speaker terminal of the right side speaker to the black speaker terminal of the left side speaker.
10. **POWER Switch** - Main power switch
11. **AC INLET** - Connect the supplied power cable here
12. **Voltage Selection Switch** - This switch is used to select the amplifiers operating voltage
NOTE: Before using your speaker, be sure the Voltage Selection Switch is set to the correct voltage for your country.

Passive Speaker (left speaker)

13. **Speaker Connections** - Push Terminals for connecting the passive left-side extension speaker using the included two-conductor speaker cable. Be sure to match the polarity of the right and left speakers by matching the color of the terminals: connect the red speaker terminal of the right side speaker to the red speaker terminal for the left side speaker, and the black speaker terminal of the right side speaker to the black speaker terminal of the left side speaker.
14. **Bass Port** - Tuned low frequency bass port for extending the low end of the speaker cabinets. Do not block the ports as this will restrict the overall performance of the speakers.



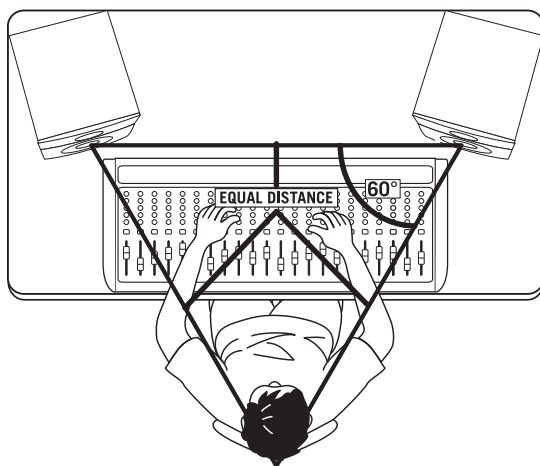
Positioning the Speakers

A major objective when setting up your studio monitors is to obtain the best possible stereo image. The MediaOne BT monitors are designed to be used in a vertical position, with the tweeter and woofer symmetrically in line. Do not place these speakers horizontally as this will cause an offset in sound between the woofer and the tweeter, limiting your ability to find optimal listening positions.

Near field (close to the listener) monitoring has become the choice of many engineers because of the cost and complexities associated with mounting monitors onto a wall. Positioning your studio monitors correctly is very important. Correct placement not only creates the proper stereo image, but also minimizes the effects of your room's reflections. This is especially important in today's project studios, which are often multi-use spaces. By taking some time and listening carefully when setting up your monitors, you can create an optimal listening environment.

The most important consideration when evaluating room acoustics is the presence of reflective surfaces near the monitoring area. These can include flat tabletops, glass mirrors or framed pictures, large open walls and even the surface of your mixing console. Most reflecting sound will eventually reach the listening position, but since it is slightly delayed from the direct source, the result is random cancellation of some frequencies, or comb filtering. If possible, remove any and all reflective surfaces. You may also want to hang some acoustic foam on walls near the monitors.

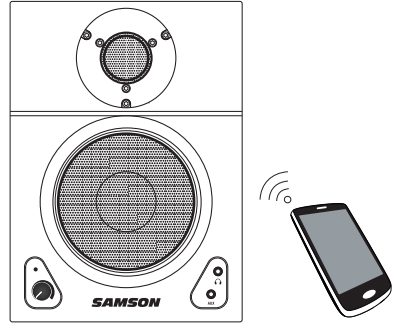
When positioning the monitors, you'll want to set up what is commonly referred to as the "mix triangle" (shown below). In this ideal configuration, the space between the left and right monitor is equal to the distance from the listener to each monitor, forming an equilateral triangle.



Pairing with a *Bluetooth*[®] Device

Bluetooth[®] is a wireless communication technology that allows for connectivity between a wide range of devices. The MediaOne BT uses *Bluetooth* to stream high quality audio from your *Bluetooth* enabled device without the need for connecting any cables. In order for your device to work with the MediaOne BT it must first be paired.

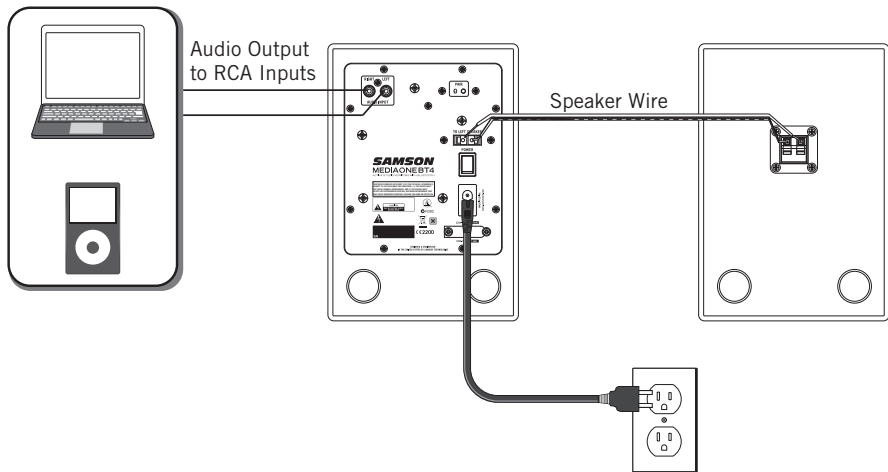
1. Turn the front panel volume control counterclockwise to the 0 position.
2. With the MediaOne BT and your *Bluetooth* device powered on; press the PAIR button on the rear panel of the MediaOne BT speaker to make the speaker discoverable. The front panel indicator will slowly flash blue.
3. In the settings of your *Bluetooth* device, set it to "discover" available devices.
4. From the *Bluetooth* device list, select the "Samson BT" device.
5. If your device asks for a passkey, enter digits 0000 (four zeros) and press OK. Some devices may also ask you to accept the connection.
6. As the MediaOne BT is connecting to your device, the front panel indicator will turn green for a few seconds then quickly flash blue.
7. The MediaOne BT speaker indicates that pairing is complete when the indicator turns steady blue. You can now stream audio from your device to the MediaOne BT speakers.
8. With the volume control on your *Bluetooth* device turned up, play some music and slowly raise the MediaOne BT volume control until you have reached the desired level.



Making Connections

The MediaOne BT main input connections can be made via the rear panel RCA inputs. Follow the simple steps and diagram below for a quick connection using a standard recording console's control room outputs.

1. Connect the left and right speakers using the included two-conductor speaker cable. To guarantee for the best performance and avoid phase cancellation problems, connect the red speaker terminal of the right side speaker to the red speaker terminal for the left side speaker, and the black speaker terminal of the right side speaker to the black speaker terminal of the left side speaker.
2. Connect the audio output from your audio source such as a computer, MP3 player or portable audio device to the RCA inputs of the MediaOne BT right side speaker.
3. Turn the MediaOne BT volume control completely counter-clockwise to the minimum setting.
4. Connect the MediaOne BT to an AC power outlet using the included power cable.
5. Turn the power switch on the MediaOne BT to the ON position.
6. Play music from you audio source and slowly raise the volume of the MediaOne BT to a comfortable listening level.

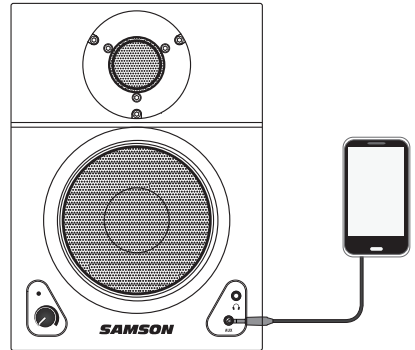


Note: Before plugging in and turning on, remember the “last on, first off” rule of powered speakers. When powering up your system, be sure that all the wires are connected, turn your mixer and any other outboard gear on, and then last turn on your MediaOne BT. When powering down, turn your MediaOne BT off first and then your mixer and outboard gear.

Aux Input

Follow these steps to add another audio device, such as a spartphone or MP3 player, to the Aux Input of the MediaOne BT monitor.

1. Plug an audio cable from the audio device into the $\frac{1}{8}$ " AUX input connector on the front of the MediaOne BT speaker.
2. Turn the MediaOne BT volume control completely counter-clockwise to the minimum setting.
3. Adjust the volume on the connected audio device to almost the maximum setting. Play music from you audio source and slowly raise the volume of the MediaOne BT to a comfortable listening level.



Specifications

Low Frequency Speakers

BT3	3" (76.2mm) woofer, polypropylene cone
BT4	4" (101.6) woofer with polypropylene cone
BT5	5.25" (127mm) woofer polypropylene cone

High Frequency Speaker 1" silkdome tweeter

Frequency response

BT3	80Hz - 27kHz
BT4	45Hz - 27kHz
BT5	40Hz - 27kHz

Amplifier Power Rating

BT3	2 x 15 watts (RMS) / 2 x 30 watts (Peak)
BT4	2 x 20 watts (RMS) / 2 x 40 watts (Peak)
BT5	2 x 20 watts (RMS) / 2 x 40 watts (Peak)

Inputs Connectors RCA (rear panel), 3.5mm (front panel), -10dBV unbalanced, line level

Headphone 1/8" Stereo Output

Controls Volume Control, Bluetooth Pairing Button

Wireless Audio Bluetooth (A2DP)

Indicators Bi-color - Green (Power), Blue (Bluetooth)

Enclosure MDF with textured vinyl covering

Fuse

BT3	
100V-127V	T1AL 250V Slow Blow
220V-240V	T800mAL 250V Slow Blow

BT4	
100V-127V	T1.6AL 250V Slow Blow
220V-240V	T800mAL 250V Slow Blow

BT5	
100V-127V	T1.6AL 250V Slow Blow
220V-240V	T800mAL 250V Slow Blow

Dimensions (LxWxH)

BT3	5.5" x 6.6" x 7.8" (140mm x 167mm x 199mm)
BT4	6.6" x 7.9" x 9" (169mm x 200mm x 231mm)
BT5	8" x 9" x 11" (205mm x 229mm x 282mm)

Weight

BT3	10.56 lb / 4.8 kg (pair)
BT4	16 lb / 7.3 kg (pair)
BT5	21.12 lb / 9.6 kg (pair)

Specifications are subject to change without notice.

Le mot *Bluetooth*[®], sa marque et ses logos sont des marques de commerce déposées qui appartiennent à Bluetooth SIG, Inc. et toute utilisation de ces marques par Samson Technologies doit se faire dans le cadre d'une licence. Les autres noms et marques appartiennent à leurs propriétaires respectifs.

Consignes de sécurité importantes



AVIS
RISQUE DE CHOC ÉLECTRIQUE -
NE PAS OUVRIR

ATTENTION : POUR ÉVITER TOUT RISQUE D'ÉLECTROCUTION, N'ÔTEZ PAS LE COUVERCLE OU LE DOS DU BOÎTIER. CET APPAREIL NE CONTIENT AUCUNE PIÈCE REMPLAÇABLE PAR L'UTILISATEUR. CONFIEZ TOUTES LES RÉPARATIONS À DU PERSONNEL QUALIFIÉ.



Le signe avec un éclair dans un triangle équilatéral prévient l'utilisateur de la présence d'une tension dangereuse et non isolée dans le logement de l'appareil. Cette tension est suffisante pour constituer un risque d'électrocution.



Le signe avec un point d'exclamation dans un triangle équilatéral prévient l'utilisateur de la présence d'instructions importantes relatives à l'utilisation et à la maintenance du produit.





Si vous souhaitez jeter ce produit, ne le mettez pas le container pour déchets ménagers. Le ramassage des équipements électroniques se fait séparément pour assurer le recyclage correct de ces équipements.

Les citoyens des 25 états membres de la CEE, les Suisses et les Norvégiens peuvent apporter leurs produits électroniques sans frais dans des points de collecte désignés, ou auprès d'un revendeur (lorsqu'un nouveau produit est acheté).

Pour les pays non mentionnés ci-dessus, il faut contacter les autorités locales pour connaître la marche à suivre.

En procédant ainsi, vous êtes assuré que votre produit sera correctement traité, récupéré et recyclé afin de prévenir les effets négatifs possibles sur l'environnement et la santé.

Consignes de sécurité importantes

1. Lisez ces instructions.
2. Conservez ces instructions.
3. Respectez tous les avertissements.
4. Suivez toutes les instructions.
5. N'utilisez pas cet appareil à proximité d'un point d'eau.
6. Nettoyez-le avec un chiffon sec.
7. N'obstruez en aucun cas les orifices d'aération. Installez en accord avec les consignes du fabricant.
8. Ne l'installez pas à proximité d'une source de chaleur telle qu'un radiateur, une bouche de chaleur, un poêle ou d'autres appareils (dont les amplificateurs) produisant de la chaleur.
9. Ne détériorez pas la sécurité de la fiche polarisée ou de la fiche de terre. Une prise polarisée est composée de deux fiches dont l'une est plus large que l'autre. Une fiche de terre comporte deux lames et une troisième broche de mise à la terre. La lame la plus large ou la troisième broche assure la sécurité de l'utilisateur. Si la prise de l'appareil ne rentre pas dans la prise d'alimentation secteur de votre installation, veuillez consulter un électricien agréé pour le remplacement de la prise secteur.
10. Placez le cordon d'alimentation de sorte qu'il ne soit ni piétiné ni comprimé, en particulier au niveau de la fiche de connexion, de la prise de courant et du point de sortie de l'appareil.
11. Utilisez uniquement les accessoires et le matériel de fixation recommandés par le fabricant.
12. Utilisez uniquement le chariot, le pied, le trépied, le support ou la table recommandé par le fabricant ou fourni avec l'appareil. Lors de l'utilisation d'un chariot, veuillez faire attention lors du déplacement de l'ensemble chariot / appareil afin d'éviter toute blessure en cas de renversement.
13. Débranchez cet appareil pendant les orages ou au cours des longues périodes de non-utilisation.
14. Faites effectuer toutes les réparations nécessaires par du personnel qualifié. Des réparations sont nécessaires si l'appareil est endommagé d'une façon quelconque, par exemple : cordon ou prise d'alimentation endommagé, liquide renversé ou objet tombé à l'intérieur de l'appareil, exposition de l'appareil à la pluie ou à l'humidité, appareil qui ne marche pas normalement ou que l'on a fait tomber.
15. Cet appareil ne doit pas être exposé à des éclaboussures ou des gouttes d'eau et aucun objet rempli de liquide comme un vase ne doit se trouver à proximité.
16. Attention - Pour prévenir les chocs électriques, n'insérez la lame large de la fiche que dans la fente large de la prise.
17. Veillez à ce que la zone autour de l'unité soit bien aérée.
18. ATTENTION : La prise électrique ou le coupleur est utilisé(e) comme dispositif de débranchement et doit toujours être prêt(e) à fonctionner.
19.  Cet appareil fait partie de la classe II ou des dispositifs électriques à double isolation. Il a été conçu de manière à ne nécessiter aucune connexion à mise à la terre électrique.
20.  Procéder correctement à la mise au rebut de ce produit. Ce symbole indique que ce produit ne doit pas être jeté dans les ordures ménagères au sein de l'Union européenne. L'élimination incontrôlée des déchets pouvant porter préjudice à l'environnement ou à la santé humaine, veuillez séparer cet appareil des autres types de déchets et le recycler de façon responsable, afin de promouvoir le recyclage durable des composants du matériel. Pour renvoyer votre ancien appareil, utilisez les systèmes de renvoi et de collecte ou contactez le détaillant chez qui vous avez acheté le produit. Ceux-ci peuvent procéder au recyclage du produit en toute sécurité.
21. Ne placez jamais de sources de flammes nues, telles que des bougies allumées, sur l'appareil.



Consignes de sécurité importantes

Avis de la FCC

1. Ce dispositif est conforme à la section 15 des réglementations de la FCC. Le fonctionnement du dispositif est soumis aux deux conditions suivantes :
 - (1) cet appareil ne doit pas causer d'interférences nuisibles.
 - (2) Il doit accepter toute interférence reçue, notamment celles pouvant entraîner un dysfonctionnement.
2. Les changements ou les modifications non expressément approuvés par le fabricant peuvent annuler l'autorisation accordée à l'utilisateur pour faire fonctionner l'équipement.

Déclaration de la FCC

Cet équipement a été testé et déclaré conforme aux limites pour appareils numériques de classe B, selon la section 15 des règlements de la FCC. Ces restrictions visent à garantir une protection suffisante contre les interférences nuisibles dans une installation à domicile.

Cet appareil génère et utilise un rayonnement de fréquence radio et peut causer des interférences nuisibles aux communications radio s'il n'est pas installé ou utilisé conformément aux instructions. Cependant, il n'existe aucune garantie contre ces interférences dans le cas où l'installation n'est pas conforme. Si cet appareil cause des interférences nuisibles à la réception des signaux de radio ou de télévision, ce qui peut être déterminé en allumant et en éteignant l'appareil, l'utilisateur peut tenter de résoudre le problème de l'une des façons suivantes :

- Réorientez ou repositionnez l'antenne de réception.
- Augmentez la distance séparant l'équipement du récepteur.
- Branchez l'appareil sur un circuit différent de celui du récepteur.
- Demandez conseil à un fournisseur ou technicien radio/TV spécialisé.

Avertissement concernant les fréquences radio

Le dispositif est conforme aux exigences en matière d'exposition aux fréquences radio. Le dispositif peut être transporté sans aucune restriction.

Cet appareil est conforme à la norme RSS-310 de l'industrie canadienne. Son utilisation est soumise aux conditions voulant que cet appareil ne cause aucune interférence nuisible.

C €2200

ENGLISH

FRANÇAIS

DEUTSCHE

ESPAÑOL

ITALIANO

Table des matières

Introduction21
Caractéristiques du MediaOne BT22
Présentation du MediaOne BT23
Installation des enceintes25
Appariement avec un dispositif <i>Bluetooth</i> [®]26
Raccords27
Entrée Aux28
Spécifications29

Introduction

Merci d'avoir choisi les moniteurs de studio MediaOne BT *Bluetooth®* de Samson Technologies. Que ce soit pour vos écoutes en enregistrement numérique, pour votre studio de production vidéo, ou tout simplement pour vos jeux ou pour écouter de la musique sur votre ordinateur, les moniteurs MediaOne sont parfaits. Ce moniteur délivre un signal puissant et une réponse étendue grâce aux amplificateurs intégrés, aux Woofers en copolymère et aux Tweeters de 2,5 cm (1 pouce) à dôme en soie. De plus, le moniteur MediaOne offre une réponse étendue dans les basses fréquences et dans les hautes fréquences, le tout avec des enceintes de taille étonnamment compacte.

Le moniteur MediaOne est équipé d'un moniteur actif pour le côté droit et d'un moniteur passif pour le côté gauche. Pour faciliter l'intégration dans votre système audio, les enceintes sont équipées d'entrées RCA situées sur la face arrière et d'entrées Aux de 3.5 mm sur la face avant afin de relier deux sources audio. Pour plus d'intimité, les enceintes se coupent lorsqu'un casque est branché. **La connectivité Bluetooth vous permet de lire des morceaux à partir de votre smart phone, de votre tablette ou de votre ordinateur tout en vous permettant d'écouter de la musique sans utiliser de port de connexion ni de câble.**

Dans ces pages, vous trouverez une description détaillée de toutes les fonctions des moniteurs MediaOne BT, une description du panneau de commande, les instructions pour l'installation et l'utilisation, ainsi que les caractéristiques techniques. Vous trouverez également une carte de garantie :

n'oubliez pas de la remplir et de nous l'envoyer. Vous pourrez ainsi bénéficier de l'assistance technique en ligne et recevoir les informations sur les produits Samson. Pensez également à consulter notre site Internet (www.samsontech.com) pour obtenir des informations détaillées sur toute notre gamme de produits.

Nous vous recommandons de garder les documents suivants pour toute référence ultérieure ainsi qu'une copie de votre preuve d'achat.

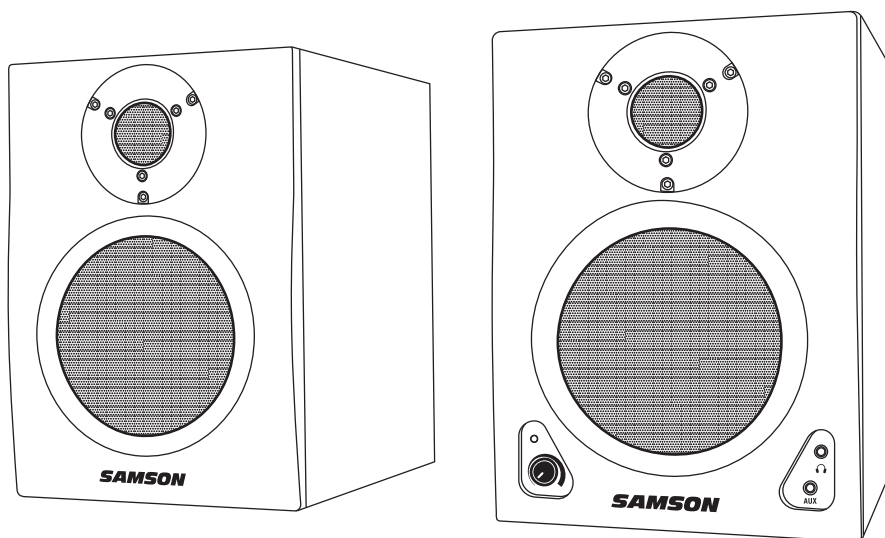
Numéro de série : _____

Date d'achat : _____

Nom du revendeur : _____

Avec un entretien adapté et une ventilation suffisante, votre moniteur MediaOne BT vous donnera satisfaction pendant de très nombreuses années. Pour faire réparer votre moniteur, vous devez tout d'abord obtenir un numéro d'autorisation de retour (RA) auprès de Samson. Sans ce numéro, l'appareil ne sera pas accepté. Appelez Samson au : 1-800-3SAMSON (1-800-372-6766) pour obtenir ce numéro d'autorisation avant de renvoyer votre unité. Conservez, si possible, l'emballage d'origine afin de l'utiliser en cas de retour. Dans le cas où vous avez acheté votre Expedition Express en dehors des États-Unis, contactez votre revendeur ou distributeur local pour obtenir les informations sur la garantie et les réparations.

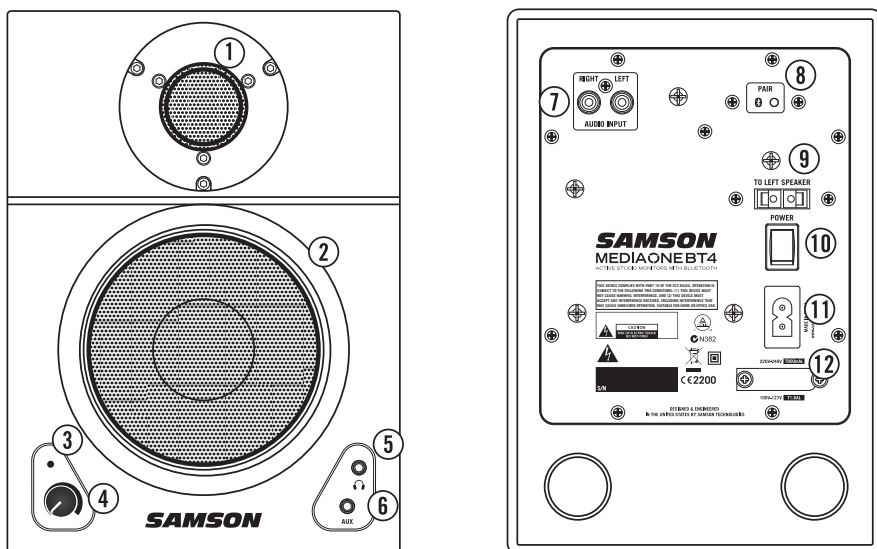
Caractéristiques du MediaOne BT



- Moniteurs de studio actifs deux voies avec baffle accordé offrant une écoute extrêmement fidèle pour les studios d'enregistrement et de post-production, et les stations multimédias.
- Connectivité *Bluetooth*[®] vous permettant d'écouter de la musique depuis votre smartphone, tablette ou autre appareil mobile.
- Woofers en copolymère avec suspension en butyle offrant des réponses précises et puissantes dans les basses fréquences.
- Tweeter à dôme en soie de 2,5 cm pour les hautes fréquences couplé à un guide d'ondes personnalisé. Conçu spécialement pour produire des hautes fréquences précises et naturelles et une zone étendue d'écoute.
- Réglage de volume sur la face avant vous permettant de régler facilement le volume.
- Entrée Aux 3.5mm située sur la face avant vous permettant de relier une deuxième source audio à partir d'un lecteur MP3, d'un ordinateur portable ou de tout autre appareil audio portable.
- Une sortie casque de 3.5mm située sur la face avant qui coupe automatiquement les enceintes lorsque le casque est branché.
- Entrées RCA situées sur la face arrière permettant la connexion de signaux ligne standards de -10 dBV afin de connecter une source audio à partir de votre ordinateur, console ou tout autre source stéréo à niveau de ligne.
- Enceinte en panneaux de particules MDF (Fibres à densité moyenne) garantissant une puissance maximale

Présentation du MediaOne BT

Enceinte active (enceinte droite)



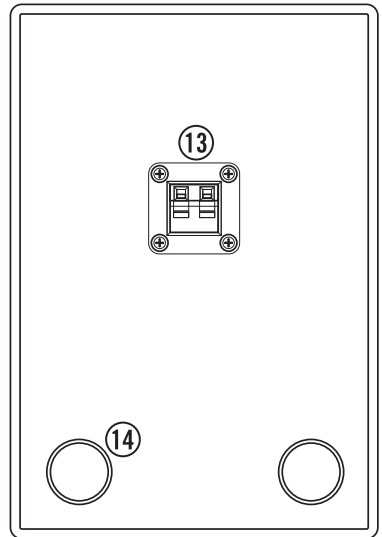
- 1. Tweeter** - Tweeter à dôme en soie de 2,5 cm (1pouce) réglé en guide d'ondes personnalisé.
- 2. Conducteur de basses fréquences** - Woofer lourd équipé d'un cône de polypropylène et suspension en butyle pour étendre la réponse en fréquences basses.
- 3. Témoin Power/Appariement (actif)** - Témoins DEL bicolores : le témoin vert indique que l'unité est sous tension et le témoin bleu indique la connexion à un dispositif Bluetooth. Les témoins passent du vert au bleu lorsque le système est en mode d'appariement.
- 4. VOLUME (actif)** - Ce réglage détermine le niveau de sortie général.
- 5. Sortie casque** - Cette sortie en Jack stéréo 3,5 mm permet de brancher un casque. Les haut-parleurs sont désactivés automatiquement lorsque vous branchez un casque.
- 6. Entrée Aux** - Cette entrée en Jack stéréo 3,5 mm permet de connecter une deuxième source à niveau ligne.
- 7. ENTRÉE AUDIO** - Connecteurs d'entrée stéréo asymétriques de type RCA servant à relier des sorties audio des dispositifs du client (-10dBv) tels qu'un ordinateur, un lecteur MP3 ou un smartphone. Le connecteur rouge est pour l'entrée de droite et le blanc pour l'entrée de gauche.

Présentation du MediaOne BT

8. **Commutateur APPARIEMENT** - Appuyez sur ce commutateur pour activer le mode de détection des dispositifs Bluetooth et les appairer.
9. **TO LEFT SPEAKER** - Bornes servant à connecter l'enceinte passive gauche à l'aide du câble de haut-parleur à deux conducteurs inclus. Veuillez respecter la polarité des enceintes droite et gauche en respectant la couleur des bornes : branchez la borne rouge située du côté droit de l'enceinte à la borne rouge située du côté gauche de l'enceinte, et la borne noire située du côté droit de l'enceinte à la borne noire située du côté gauche.
10. **Interrupteur POWER** - Interrupteur principal
11. **ENTRÉE CA** - Connectez l'adaptateur réseau fourni.
12. **Sélecteur de tension**- Cet interrupteur permet de sélectionner la tension des amplificateurs
REMARQUE : Avant de commencer à utiliser votre enceinte, réglez le sélecteur en fonction de la tension utilisée dans votre pays.

Enceinte passive (enceinte gauche)

13. **Connexions des enceintes** - Bornes servant à connecter l'enceinte passive gauche à l'aide du câble de haut-parleur à deux conducteurs inclus. Veuillez respecter la polarité des enceintes droite et gauche en respectant la couleur des bornes : branchez la borne rouge située du côté droit de l'enceinte à la borne rouge située du côté gauche de l'enceinte, et la borne noire située du côté droit de l'enceinte à la borne noire située du côté gauche.
14. **Port de basses** - Port accordé permettant à l'enceinte de capter la réponse dans les basses fréquences. Ne bloquez pas les ports car vous risqueriez d'entraver les performances générales des enceintes.



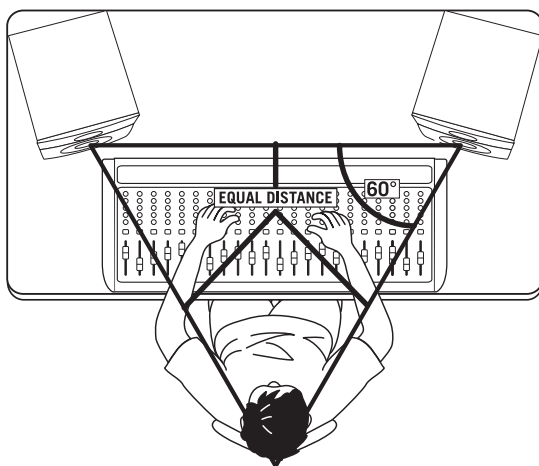
Installation des enceintes

L'objectif de l'installation des moniteurs de studio est d'obtenir la meilleure image stéréo possible. Les moniteurs MediaOne BT ont été conçus pour être placés à la verticale de façon à ce que le tweeter et le woofer soient alignés. Ne placez pas les enceintes à l'horizontale afin d'éviter tout décalage sonore entre le woofer et le tweeter, ce qui limiterait les positions d'écoute optimales.

L'écoute de proximité (près de l'auditeur) est le moyen de contrôle privilégié par les ingénieurs du son en raison de la difficulté et du coût associé à l'installation de moniteurs sur un mur. Il est très important de placer correctement vos moniteurs de studio. Un placement correct non seulement crée une image stéréo pure mais permet également de minimiser l'incidence de l'acoustique de la pièce. Ceci est particulièrement important dans les Home Studios d'aujourd'hui, qui sont souvent des espaces polyvalents. En prenant le temps d'installer correctement vos moniteurs et en écoutant attentivement, vous pourrez créer un environnement d'écoute optimal

Le problème le plus important lors de l'évaluation de l'acoustique de la pièce est causé par les surfaces réfléchissantes autour de la zone d'écoute. Tels que les tables, miroirs ou cadres, les murs de grandes dimensions et même la surface de la console de mixage. Les sons réfléchis atteignent l'auditeur d'une façon ou d'une autre, mais les retards produits par les réflexions génèrent des déphasages sonores, atténuations de certaines fréquences ou effets de filtres en peigne. Évitez autant que possible les surfaces réfléchissantes. Vous pouvez aussi tendre un tissu acoustique sur les murs près des moniteurs.

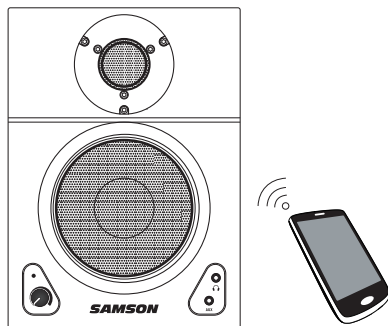
Il est important de créer un "triangle d'écoute" (Voir ci-dessous) lors du placement des moniteurs. Dans cette configuration, l'espace entre l'auditeur et les moniteurs gauche et droit forment un triangle équilatéral parfait (Figure 1).



Appariement avec un dispositif *Bluetooth*[®]

Bluetooth[®] est une technologie de communication sans fils permettant de connecter toute une série de dispositifs. Le système MediaOne BT utilise *Bluetooth* pour lire des morceaux de grande qualité sonore depuis un dispositif *Bluetooth* et ce, sans utiliser de câble. Si vous souhaitez utiliser votre dispositif avec MediaOne BT, vous devez préalablement l'apparier.

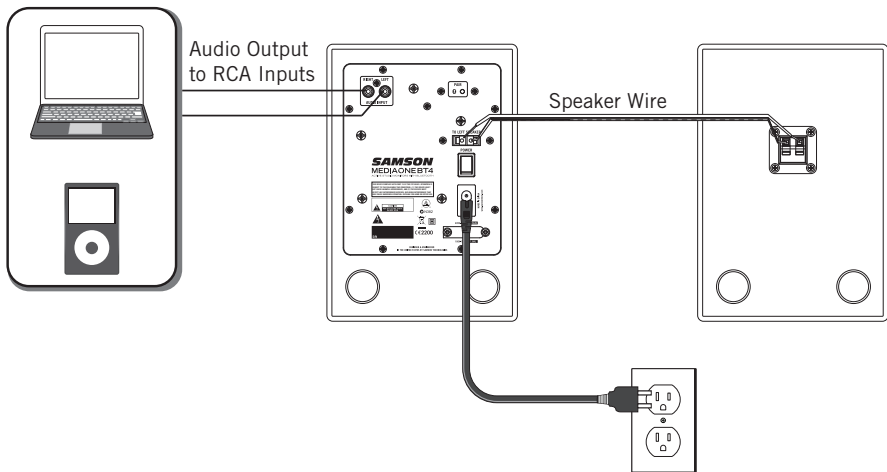
1. Baissez le volume, situé sur la face avant, au minimum (sur 0).
2. Lorsque votre MediaOne BT et votre dispositif *Bluetooth* sont allumés, appuyez sur la touche d'appariement sur le panneau arrière de l'enceinte de votre MediaOne BT pour que votre enceinte soit détectée. Le témoin *Bluetooth* bleu, situé sur la face avant, clignotera lentement.
3. Dans les paramètres de votre dispositif *Bluetooth*, activez l'option "détecter les dispositifs disponibles".
4. Choisissez le dispositif "Samson BT" dans la liste de dispositifs *Bluetooth*.
5. Si votre appareil demande d'entrer une clé d'accès, entrez 0000 (quatre zéros) et appuyez sur OK. Certains dispositifs peuvent vous demander d'accepter la connexion.
6. Lors de la connexion entre MediaOne BT et votre dispositif, le témoin situé sur la face avant reste vert quelques secondes avant de virer au bleu.
7. L'enceinte de la MediaOne BT indique que l'appariement a été effectué lorsque le témoin bleu arrête de clignoter. Vous pouvez, à présent, lire des morceaux audio sur vos enceintes MediaOne BT.
8. Augmentez le volume de votre appareil *Bluetooth*, jouez un morceau, puis augmentez doucement le volume de la MediaOne BT jusqu'à atteindre le volume souhaité.



Raccords

Les connexions d'entrée de la MediaOne BT s'effectuent à partir des entrées RCA de la face arrière. Suivez les étapes et le schéma ci-dessous pour effectuer les raccords rapidement grâce aux sorties de la salle de commande de la console d'enregistrement.

1. Reliez les enceintes droite et gauche à l'aide du câble d'enceinte à deux connecteurs inclus. Afin de garantir les meilleures performances et éviter les délais dans les applications communes, branchez la borne rouge située du côté droit de l'enceinte à la borne rouge située du côté gauche de l'enceinte, et la borne noire située du côté droit de l'enceinte à la borne noire située du côté gauche.
2. Branchez la sortie audio de votre source audio (ordinateur, lecteur MP3 ou tout autre dispositif audio portable) aux entrées RCA de l'enceinte droite de la MediaOne BT.
3. Baissez le volume de la MediaOne BT au minimum.
4. Connectez votre MediaOne BT à une sortie d'alimentation CA à l'aide du câble inclus.
5. Mettez votre MediaOne BT sous tension (position ON).
6. Écoutez un morceau à partir de votre source audio et augmentez doucement le volume de la MediaOne BT jusqu'à atteindre un niveau sonore confortable.

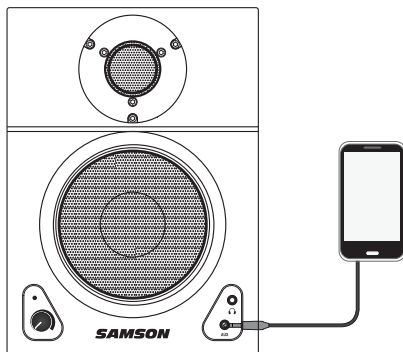


Remarque : Avant de brancher et d'allumer le système, respectez la règle du "dernier branché, premier débranché" pour les enceintes sous tension. Avant d'allumer votre système, veillez à ce que tous les raccords aient été effectués, puis allumez votre console ou tout autre mode d'effet externe et allumez votre MediaOne BT en dernier lieu. Lorsque vous éteignez votre système, éteignez d'abord votre MediaOne BT puis votre console ou votre module d'effet externe.

Entrée Aux

Suivez ces étapes pour ajouter un autre dispositif audio tel qu'un smartphone ou un lecteur MP3 à l'entrée Aux du moniteur MediaOne BT.

1. Branchez un câble audio du dispositif audio dans la sortie Aux $\frac{1}{8}$ " Aux située à l'avant de l'enceinte MediaOne BT.
2. Baissez le volume de la MediaOne BT au minimum.
3. Réglez le volume du dispositif audio branché pratiquement au maximum. Écoutez un morceau à partir de votre source audio et augmentez doucement le volume de la MediaOne BT jusqu'à atteindre un niveau sonore confortable.



Spécifications

Enceintes basses fréquences

- BT3 woofer 3" (76.2 mm), cône de polypropylène
- BT4 woofer 4" (101.6) avec cône de polypropylène
- BT5 woofer 5.25" (127 mm) avec cône de polypropylène

Enceinte hautes fréquences Tweeters de 2,5 cm (1 pouce) à dôme en soie.

Réponse dans les fréquences

- BT3 80Hz - 27kHz
- BT4 45Hz - 27kHz
- BT5 40Hz - 27kHz

Puissance amplificateur

- BT3 2 x 15 watts (RMS) / 2 x 30 watts (Crête)
- BT4 2 x 20 watts (RMS) / 2 x 40 watts (Crête)
- BT5 2 x 20 watts (RMS) / 2 x 40 watts (Crête)

Connecteurs d'entrée RCA (face arrière), 3.5 mm (face avant),
-10 dBV asymétrique, niveau de ligne

Casque. 1/8" Sortie stéréo

Commandes Réglage Volume, Bouton d'appariement Bluetooth

Audio sans fils Bluetooth (A2DP)

Indicateurs Bicolore - Vert (Power), Bleu (Bluetooth)

Boîtier MDF avec extérieur en vinyle texturé

Fusible

- BT3
 - 100V-127V T1A1 250V Fusion Lente
 - 220V-240V T800mA 250V Fusion Lente
- BT4
 - 100V-127V T1.6A 250V Fusion Lente
 - 220V-240V T800mA 250V Fusion Lente
- BT5
 - 100V-127V T1.6A 250V Fusion Lente
 - 220V-240V T800mA 250V Fusion Lente

Dimensions (Long.xLarg.xH)

- BT3 5.5" x 6.6" x 7.8" (140 mm x 167 mm x 199 mm)
- BT4 6.6" x 7.9" x 9" (169 mm x 200 mm x 231 mm)
- BT5 8" x 9" x 11" (205 mm x 229 mm x 282 mm)

Poids

- BT3 10.56 lb / 4.8 kg (paire)
- BT4 16 lb / 7.3 kg (paire)
- BT5 21.12 / 9.6 kg (paire)

Les spécifications peuvent faire l'objet de changements sans notification préalable.

Das Wort *Bluetooth*[®] und die Logos sind eingetragene Marken der *Bluetooth SIG*, Inc. und jegliche Nutzung dieser Zeichen seitens der Samson Technologies ist lizenziert. Andere Handelsmarken und Handelsnamen sind Eigentum der jeweiligen Besitzer."

Wichtige Sicherheitshinweise



ACHTUNG
GEFAHR EINES ELEKTRISCHEN SCHOCKS
NICHT ÖFFNEN

WARNUNG: UM DAS RISIKO EINES ELEKTRISCHEN SCHLAGS ZU MINDERN, ÖFFNEN SIE NICHT DIE ABDECKUNG (ODER RÜCKSEITE), DA SICH IM INNEREN KEINE VOM BENUTZER ZU WARTENDEN BEFINDEN. ÜBERGEBEN SIE DAS GERÄT NUR QUALIFIZIERTEM PERSONAL ZUR REPARATUR.



Dieser Blitz mit einem Pfeil als Symbol in einem gleichseitigen Dreieck soll den Benutzer auf das Vorhandensein von "gefährlicher Spannung" im Gehäuse des Produkts hinweisen. Diese Spannung ist unter Umständen groß genug, um ein Risiko für einen elektrischen Schlag darzustellen.



Der Ausrufungszeichen in einem gleichseitigen Dreieck soll den Benutzer in der mit dem Gerät mitgelieferten Dokumentation auf eine wichtige Betriebs- oder Wartungsanweisung hinweisen.





Wenn Sie das Produkt entsorgen möchten, geben Sie es nicht in den Hausmüll. In Übereinstimmung mit der Gesetzgebung existiert ein separates Sammelsystem für elektrische und elektronische Produkte. Diese Gesetze fordern eine angemessene Behandlung, Verwertung und Wiederaufbereitung solcher Geräte.

Private Haushalte in den 25 Mitgliedsstaaten der EU, in der Schweiz und Norwegen können ihre elektronischen Produkte kostenlos an eine Sammelstelle oder den Händler abgeben (wenn Sie ein ähnliches Produkt wieder erwerben).

Verbraucher in Ländern, die nicht oben genannt werden, kontaktieren bitte ihre lokalen Behörden, um Informationen über eine korrekte Entsorgung zu erhalten.

Sie werden so sicherstellen, dass Ihr Produkt der notwendigen Behandlung, Verwertung und Wiederaufbereitung unterzogen wird und eventuelle negative Auswirkungen auf die Umwelt und die Gesundheit vermieden werden.

Wichtige Sicherheitshinweise

1. Lesen Sie diese Anweisungen.
2. Bewahren Sie diese Anweisungen auf.
3. Beachten Sie alle Warnungen.
4. Folgen Sie allen Anweisungen.
5. Benutzen Sie das Gerät nicht in der Nähe von Wasser.
6. Reinigen Sie es nur mit einem trockenen Tuch.
7. Verschließen Sie keine Ventilationsöffnungen. Installieren Sie das Gerät gemäß den Anweisungen des Herstellers.
8. Installieren Sie es nicht in der Nähe von Hitzequellen wie Radiatoren, Heizkörpern, Öfen oder anderen Geräten (einschließlich Verstärker), die Hitze erzeugen.
9. Umgehen Sie nicht die Sicherheitsfunktion des polarisierten oder geerdeten Steckers. Ein polarisierter Stecker besteht aus zwei Flachkontakten, wobei einer breiter ist als der andere. Ein Stecker mit Erdung besteht aus zwei Flachkontakten und einem dritten runden Erdungsstift. Der breite Flachkontakt und der Erdungsstift werden aus Sicherheitsgründen integriert. Wenn der mitgelieferte Stecker nicht in Ihre Steckdose passt, bitten Sie einen Elektriker, die obsoletere Steckdose auszutauschen.
10. Schützen Sie das Stromversorgungskabel davor, dass man darauf tritt und dass es geknickt wird, vor allem an den Steckern, Buchsenteilen und an den Punkten, an denen das Kabel aus dem Gerät kommt.
11. Benutzen Sie nur die vom Hersteller spezifizierten Zubehörteile.
12. Nur mit dem empfohlenen Wagen oder der Wagen / Gerät Kombination einsetzen, die vom Hersteller empfohlen werden, um Verletzungen durch Umkippen zu vermeiden.
13. Ziehen Sie den Stecker des Geräts bei Gewittern oder wenn es längere Zeit nicht benutzt wird aus der Steckdose.
14. Übergeben sie das Gerät zur Reparatur nur qualifiziertem Personal. Wenn das Gerät in irgendeiner Weise beschädigt wurde, zum Beispiel wenn das Stromversorgungskabel oder der Stecker beschädigt sind, Flüssigkeit ausgelaufen ist oder ein Objekt in das Gerät gefallen ist oder das Gerät Regen oder Feuchtigkeit ausgesetzt wurde, es nicht normal funktioniert oder gefallen ist, muss es von einer Fachkraft werden.
15. Dieses Gerät darf nicht Wasserspritzern oder einem Wasserstrahl ausgesetzt werden und es darf keine Vase oder ein mit Wasser gefülltes Objekt auf das Gerät gestellt werden.
16. Achtung - um einen elektrischen Schock zu vermeiden, muss der breite Flachkontakt vollkommen in die breite Buchse eingeführt werden.
17. Bitte achten Sie darauf, dass die gesamte Umgebung um das Gerät gut gelüftet ist.
18. **WARNUNG:** Der Hauptstecker / Gerätekupplung ist als Abschalteneinrichtung ausgelegt. Die Abschalteneinrichtung muss immer betriebsbereit sein.
19.  Dieses Equipment ist ein Class II oder ein doppelt isoliertes elektrisches Gerät. Es wurde so ausgelegt, dass es keinen geerdeten Sicherheitsanschluss erfordert.
20.  Korrekte Entsorgung des Produkts. Dieses Zeichen bedeutet, dass dieses Produkt in Europa nicht im Hausmüll entsorgt werden darf. Um mögliche Gefahren für Umwelt und Menschen und ihre Gesundheit zu vermeiden und um Ressourcen zu schonen, sollten Sie dieses Gerät entsprechend entsorgen, um die nachhaltige Wiederverwendung von Materialressourcen zu fördern. Um das Gerät abzugeben/zu entsorgen, geben Sie es in das Sammelsystem oder kontaktieren Sie Ihren Händler, bei dem Sie es erworben haben. Der Händler kann das Gerät umweltfreundlich auf sichere Weise entsorgen.
21. Es dürfen keine Quellen mit offenen Flammen, wie etwa Kerzenlichter, auf das Gerät gestellt werden.



Wichtige Sicherheitshinweise

FCC Hinweis

1. Dieses Gerät entspricht Teil 15 der FCC Bestimmungen. Der Betrieb unterliegt folgenden beiden Bedingungen:
 - (1) Dieses Gerät darf keine schädigenden Störungen verursachen, und
 - (2) Dieses Gerät muss alle empfangenen Störungen vertragen, einschließlich Störungen, die unerwünschte Funktionen verursachen können.
2. Änderungen oder Modifikationen, die nicht ausdrücklich von der Institution genehmigt wurden, die für die Konformität mit den geltenden Verordnungen verantwortlich ist, können zum Verlust der Betriebserlaubnis des Geräts führen.

FCC Erklärung

Dieses Equipment wurde getestet und entsprechend der FCC Regelungen, Teil 15, als mit der Class B Digital Device Grenzen konform eingestuft. Diese Grenzen wurden festgelegt, um einen angemessenen Schutz gegen gefährliche Störungen in einer Haushalts-Umgebung zu bieten.

Dieses Equipment generiert, benutzt und kann Radiofrequenzen ausstrahlen und, wenn nicht entsprechend der Instruktionen installiert, es kann schädliche Interferenzen bei Radio-Kommunikationsgeräten hervorrufen. Bei keiner Installation können Störungen jedoch völlig ausgeschlossen werden. Wenn das Equipment starke Interferenzen bei Radio- und Fernseh-Equipment hervorruft, was durch Aus- und Einschalten des Equipments geprüft werden kann, wird dem Benutzer empfohlen, die Interferenzen durch eine oder mehrere der folgenden Massnahmen zu unterbinden:

- Die Position oder die Richtung der Empfängerantenne ändern.
- Den Abstand zwischen Equipment und Receiver erhöhen.
- Das Equipment mit einer Steckdose eines anderen internen Kreises verbinden als den, mit dem der Empfänger verbunden ist.
- • Fragen Sie Ihren Händler oder bitten Sie einen erfahrenen Radio- und Fernsichttechniker um Hilfe.

RF Warnhinweis

Das Gerät wurde geprüft, ob es der allgemeinen Anforderungen für RF Beeinflussungen entspricht. Das Gerät kann uneingeschränkt als tragbares Gerät eingesetzt werden.

Dieses Gerät entspricht RSS-310 der Industrie Kanadas. Der Betrieb unterliegt den Bedingungen, dass dieses Gerät keine gefährlichen Störungen verursacht.

C E2200

ENGLISH

FRANÇAIS

DEUTSCHE

ESPAÑOL

ITALIANO

Inhaltsverzeichnis

Einführung35
MediaOne BT Funktionen36
MediaOne BT Layout37
Aufstellen der Lautsprecher39
Mit einem <i>Bluetooth</i> [®] Gerät verbinden.40
Verbindungen herstellen41
Aux Eingang42
Spezifikationen43

Einführung

Vielen Dank für den Kauf des MediaOne BT Studio Referenz Monitors mit Streaming *Bluetooth*[®] Audio von Samson Technologies. Ob Sie nun ein Monitor System für Ihr digitales Aufnahmestudio, ein Video Produktionssuite benötigen oder Sie einfach nur bessere Lautsprecher haben möchten für Gaming und um an Ihrem Computer Musik zu hören, der MediaOne ist die perfekte Lösung. Das Monitor System erzeugt einen kraftvollen Sound dank des internen Verstärkers, den erweiterten Copolymer Woofers und den 1" Kalottenhochtönern. Plus, das MediaOne System bietet tiefen Bass und erweiterte Höhen in einer überraschenden kompakten Größe.

Das MediaOne System beinhaltet einen aktiven Monitor für die rechte Seite und einen passiven Monitor für die linke Seite. Um eine Integration in Ihr Audio System zu erleichtern bietet der Lautsprecher die Möglichkeit, zwei Media Quellen über entweder die RCA Eingänge an der Rückseite oder dem 3,5mm Aux Eingang an der Vorderseite anzuschließen. Um privat zu hören werden die Lautsprecher stumm geschaltet, sobald ein Kopfhörer angeschlossen wird. *Bluetooth* Connectivity ermöglicht Ihnen, Musik von Ihrem Smartphone, Tablet oder Computer zu streamen. Dies bietet Ihnen die Freiheit, Ihre Musik zu hören, ohne irgendwelche Kabel anzuschließen oder Ihr Gerät anzudocken.

Auf diesen Seiten werden Sie eine detaillierte Beschreibung der Eigenschaften und Funktionen der MediaOne BT Monitore sowie eine Tour durch das Bedienfeld, eine Schritt-für-Schritt Anleitung durch das Setup und den Betrieb vorfinden sowie eine umfangreiche Liste der Spezifikationen. Sie werden ebenfalls im Lieferumfang eine Garantiekarte vorfinden — vergessen Sie bitte nicht, sie auszufüllen und einzusenden, so dass Sie den technischen Support in Anspruch nehmen können und wir Ihnen aktualisierte Informationen über dieses und andere Samson Produkte zusenden können. Besuchen Sie ebenfalls unsere Website (www.samsontech.com), um Informationen über unser komplettes Produktangebot zu erhalten. Wir empfehlen Ihnen, die folgenden Daten sowie eine Kopie der Kaufquittung gut aufzubewahren.

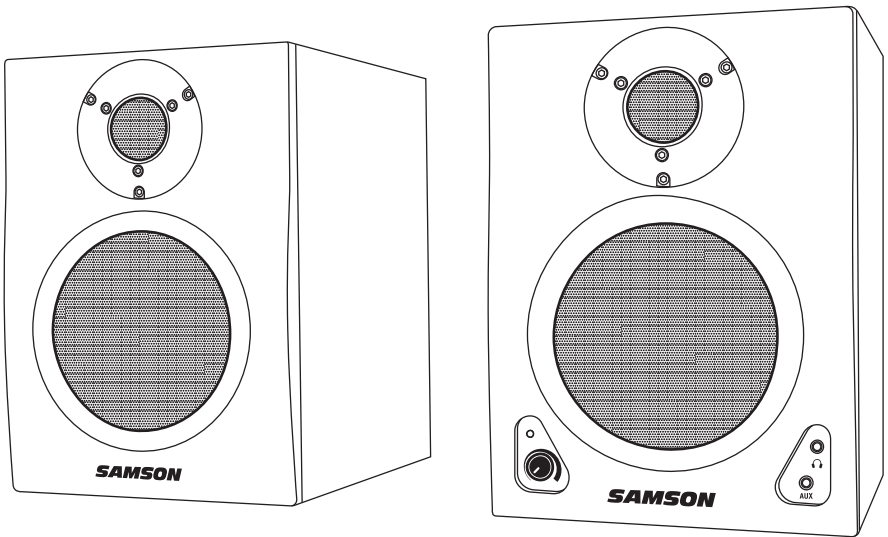
Seriennummer: _____

Kaufdatum: _____

Name des Händlers: _____

Mit der richtigen Pflege und Wartung werden Sie Ihre MediaOne BT Monitore viele Jahre lang problemlos betreiben können. Falls die Lautsprecher je eine Reparatur benötigen sollten, ist eine Return Authorization (RA) Nummer [Rücksende-Genehmigungsnummer] erforderlich, bevor Sie Ihr Gerät an die Samson schicken. Ohne diese Nummer wird das Gerät nicht angenommen. Bitte rufen Sie Samson unter 1-800-3SAMSON (1-800-372-6766) an und erbitten Sie eine RA Nummer, bevor Sie die Einheit einschicken. Bitte bewahren Sie das originale Verpackungsmaterial auf und schicken Sie das Gerät wenn möglich in der originalen Verpackung ein. Wenn Ihr Expedition Express außerhalb der Vereinigten Staaten erworben wurde, kontaktieren Sie bitte Ihren lokalen Händler bezüglich der Details zur Garantie und für Service- bzw. Wartungsinformationen.

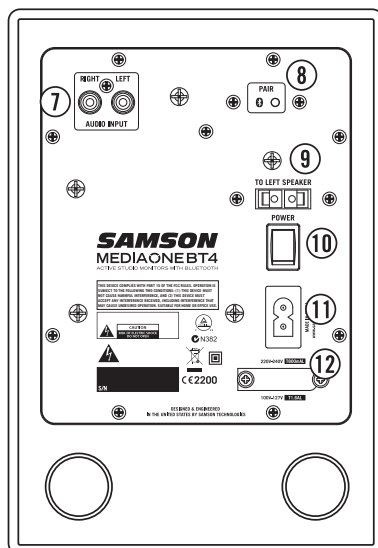
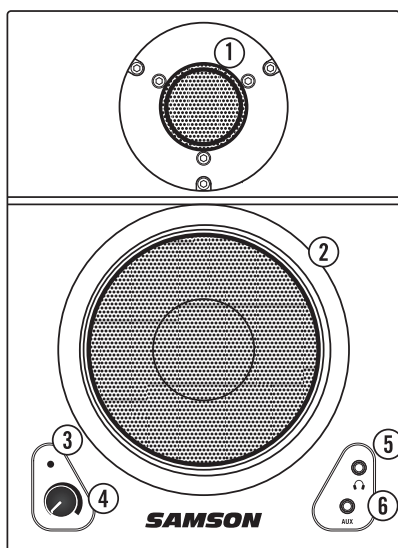
MediaOne BT Funktionen



- Aktive Zwei-Wege Studio Monitore mit abgestimmten Bassreflex Gehäusen, die ein extrem genaues Monitoring für Desktop Aufzeichnungen, Playback und Multimedia Anwendungen bieten.
- *Bluetooth*[®] Connectivity, um von Ihrem Smartphone, Computer oder anderen mobilen Gerät Musik zu streamen
- Copolymer Woofers mit Butyl Sicken liefern einen kräftigen und kontrollierten Bass Sound
- 1" Kalottenhohtöner in einem speziell entwickelten Wellenleiter. Erzeugt einen sanften und natürlichen Hochtton-Frequenzgang und einen breiten Hörbereich
- Volume Kontrolle an der Vorderseite ermöglicht Ihnen, die Lautstärke einfach einzustellen
- Front Panel 3,5mm Aux Eingang für den Anschluss einer zweiten Audio Quelle von einem MP3 Player, Laptop oder einem tragbaren Stereo Audiogerät
- Front Panel Stereo 3,5mm Kopfhörer Anschluss schaltet automatisch die Lautsprecher stumm, sobald ein Kopfhörer angeschlossen wird
- Hintere RCA Eingänge für Standard -10 dBV Line Level Eingang, um Audio von Ihrem Computer, Mixer und andere Stereo Line Level Geräte abzuspielen
- Solide MDF (Medium Density Fiberboard) Konstruktion liefert maximale Schalldruck Niveaus

MediaOne BT Layout

Aktiver Lautsprecher (rechter Lautsprecher)



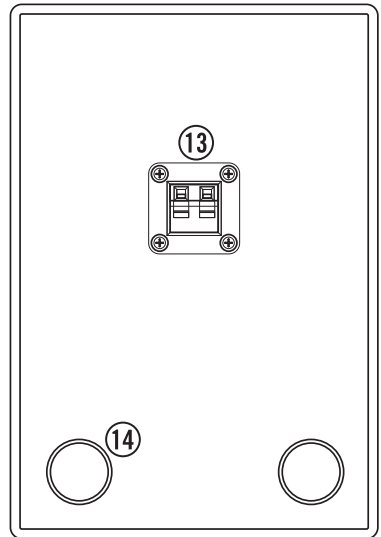
1. **Hochtöner** - 1" Kalottenhochtöner Set in einem speziellen Wellenleiter
2. **Tieftöner** - Hochleistungs-Woofer mit Polypropylen Konus und Butyl Sicke für einen erweiterten Bassfrequenzgang
3. **Strom / Pairing Indikator (aktiv)** - Zweifarbige LED leuchtet grün um anzugeben, dass die Einheit eingeschaltet ist, und blau, wenn das Gerät über *Bluetooth*® mit einem anderem Gerät verbunden ist. Im Pairing Modus blinkt die LED abwechselnd grün und blau
4. **LAUTSTÄRKE (aktiv)** - Steuert die gesamte Ausgangsleistung der Lautsprecher
5. **Kopfhöreranschluss** - 3,5mm Stereo Ausgangsstecker für den Anschluss eines Kopfhörers. Die Monitore werden automatisch stumm geschaltet, wenn ein Kopfhörer angeschlossen wird
6. **Aux Eingang** - 3,5mm Stereo Eingangsbuchse für den Anschluss von Line Level Audio Quelle.
7. **AUDIO INPUT / AUDIO EINGANG** - Unabgegliche Stereo RCA Eingangsbuchsen, an die ein Audio Ausgang eines Verbrauchergeräts (-10dBV) wie etwa einen Computer, MP3 Player oder ein Smartphone angeschlossen werden kann. Der Rote Anschluss ist für den rechten und der weiße Anschluss für den linken Eingang.

MediaOne BT Layout

8. **PAIR Schalter** - Betätigen Sie diesen Schalter, um den "Discoverable" / Sichtbar Modus zu aktivieren und mit einem anderen *Bluetooth*[®] Gerät zu verbinden
9. **TO LEFT SPEAKER / AN LINKEN LAUTSPRECHER** - Öffnen Sie die Kontakte, um das mitgelieferte zweipolige Kabel an den linken Lautsprecher anzuschließen. Vergewissern Sie sich, dass die Polarität des linken Lautsprechers mit den Farben der Anschlüsse übereinstimmt: schließen Sie den roten Anschluss des rechten Lautsprechers an den roten Anschluss des linken Lautsprechers, und den schwarzen Anschluss des rechten Lautsprechers an den schwarzen Anschluss des linken Lautsprechers.
10. **POWER Schalter** - Hauptschalter
11. **AC INLET** - Schließen Sie das mitgelieferte Netzteil hier an.
12. **Spannungsauswahlschalter** - Dieser Schalter dient dazu, die Betriebsspannung des Verstärkers zu wählen
ANMERKUNG: Stellen Sie bevor Sie Ihren Lautsprecher benutzen sicher, dass der Spannungsauswahlschalter auf der korrekten Spannung des Netzes in Ihrem Land steht.

Passiver Lautsprecher (linker Lautsprecher)

13. **Anschluss der Lautsprecher** - Öffnen Sie die Kontakte, um das mitgelieferte zweipolige Kabel an den linken Lautsprecher anzuschließen. Vergewissern Sie sich, dass die Polarität des linken Lautsprechers mit den Farben der Anschlüsse übereinstimmt: schließen Sie den roten Anschluss des rechten Lautsprechers an den roten Anschluss des linken Lautsprechers, und den schwarzen Anschluss des rechten Lautsprechers an den schwarzen Anschluss des linken Lautsprechers.
14. **Bass Reflexrohr** - Abgestimmtes Bassreflexrohr, das die untere Frequenz des Lautsprechergehäuses erweitert. Versperren Sie die Bassreflexrohre nicht, da dies die Gesamtleistung der Lautsprecher mindern würde.



Aufstellen der Lautsprecher

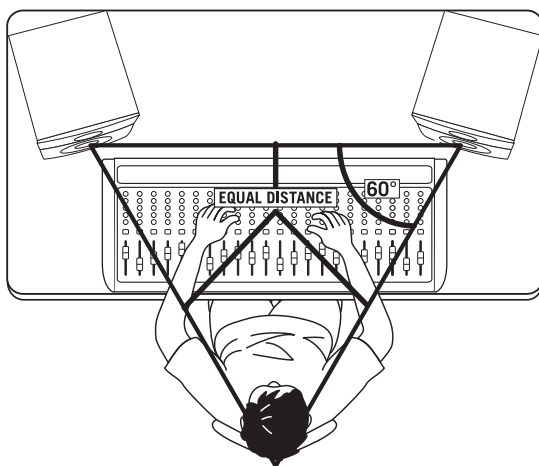
Ein wichtiges Ziel bei der Aufstellung Ihrer Studio Monitore ist, den best möglichen Stereo Sound Effekt zu erhalten. Die MediaOne BT Lautsprecher sind ausgelegt, um in der vertikalen Position aufgestellt zu werden. Hochtöner und Woofer liegen symmetrisch auf der Mittellinie. Stellen Sie die Lautsprecher nicht horizontal auf, da dies einen Versatz zwischen dem Hochtöner und dem Tieftöner zur Folge haben würde, wodurch es für Sie schwierig wird, eine optimale Hörposition zu finden.

Nahfeld (nahe am Hörer) Hören ist zur Wahl vieler Techniker geworden aufgrund der Kosten und der Komplexitäten, die mit der Wandmontage von Lautsprechern verbunden sind. Das korrekte Aufstellen Ihrer Studio Lautsprecher ist sehr wichtig. Die korrekte Platzierung erzeugt nicht nur den besten Stereo Effekt, sondern minimiert ebenfalls die Reflektionseffekte Ihrer Umgebung. Dies ist besonders wichtig für die heutigen Projektstudios, in denen häufig mehrere Benutzern gleichzeitig arbeiten. Wenn Sie sich etwas Zeit nehmen und aufmerksam hören, während Sie die Lautsprecher aufstellen, können Sie eine optimale Hörumgebung schaffen.

Einer der wichtigsten Punkte, die bei der Bewertung der Raumakustik zu beachten sind, ist die Präsenz von reflektierenden Flächen in der Nähe des Hörbereichs. Dazu können eine flache Tischoberfläche, Spiegel oder Bilderrahmen, große offene Wände und sogar die Fläche Ihres Mischpults gehören. Der grösste Anteil der reflektierten Schallwellen wird irgendwann die Hörerposition erreichen. Da sie jedoch leicht verzögert ankommen, ist das Ergebnis meistens ein zufälliges Löschen von Frequenzen oder Comb Filtern. Entfernen Sie wenn möglich alle reflektierenden Flächen.

Sie können eventuell auch akustischen Dämmschaum an die Wände in der Nähe Ihrer Lautsprecher hängen.

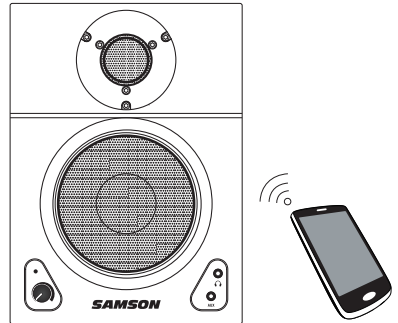
Wenn Sie die Lautsprecher aufstellen, werden Sie sicherlich die als "mix triangle" / Misch-Dreieck bezeichnete Formation (siehe unten) wählen wollen. In dieser idealen Konfiguration ist der Abstand zwischen dem linken und dem rechten Lautsprecher gleich dem Abstand vom Hörer zu jedem Lautsprecher. Dadurch entsteht ein gleichseitiges Dreieck.



Mit einem *Bluetooth*[®] Gerät verbinden

Bluetooth[®] ist eine kabellose Kommunikationstechnologie, die Verbindungen zwischen einer Vielzahl an Geräten ermöglicht. Das Expedition Express System benutzt *Bluetooth*, um qualitativ hochwertige Audio Streams von Ihrem mit *Bluetooth* ausgestatteten Gerät wiederzugeben, ohne bei der Verbindung Kabel einsetzen zu müssen. Damit Ihr Gerät mit dem Expedition Express funktionieren kann, müssen beide zunächst einmal verbunden werden.

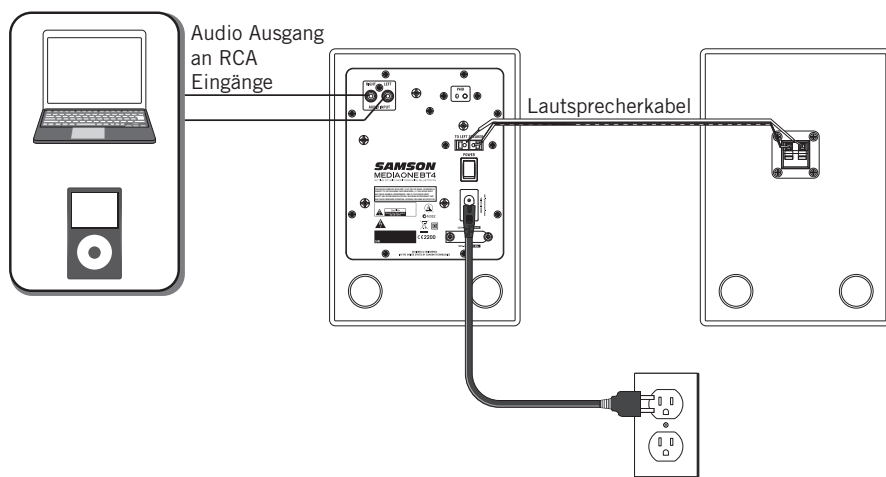
1. Drehen Sie den Lautstärkeregler an der Vorderseite gegen den Uhrzeigersinn auf die 0 Position.
2. Schalten Sie das MediaOne BT System und Ihr *Bluetooth* Gerät ein; betätigen Sie den PAIR Knopf an der Rückseite des MediaOne BT Lautsprechers, damit das Gerät erkannt wird. Der *Bluetooth* Indikator wird langsam blau blinken.
3. Stellen Sie Ihr *Bluetooth* Gerät so ein, dass die Option "Discover available devices" / Sichtbare Geräte anzeigen aktiviert ist.
4. Wählen Sie aus der erscheinenden Liste von *Bluetooth* Geräten das "Samson Express" Gerät aus.
5. Wenn das Gerät nach einem Passwort fragt, geben Sie 0000 (vier Nullen) ein und betätigen dann die OK Taste. Es kann sein, dass einige Geräten Sie anschließend fragen, ob Sie die Verbindung akzeptieren.
6. Während des Verbindungsaufbaus des MediaOne BT Systems mit Ihrem Gerät, wird der Indikator an der Vorderseite für einige Sekunden grün aufleuchten und dann schnell blau blinken.
7. Der MediaOne BT Lautsprecher gibt an, dass die Verbindung hergestellt wurde, wenn der Indikator konstant blau aufleuchtet. Nun können Sie Audio von Ihrem Gerät an die MediaOne BT Lautsprecher streamen.
8. Stellen Sie an Ihrem *Bluetooth* Gerät die Lautstärke ein und spielen Sie ein Musikstück ab. Erhöhen Sie langsam die Lautstärke des MediaOne BT über den Lautstärkeregler, bis die Musik die gewünschte Lautstärke hat.



Verbindungen herstellen

Die Hauptanschlüsse des MediaOne BT können über die RCA Eingänge an der Rückseite vorgenommen werden. Folgen Sie den unten angegebenen einfachen Schritten und dem Diagramm, für einen schnellen Anschluss über die Standard Aufnahmeausgänge der Konsole des Kontrollraums.

1. Verbinden Sie den linken und rechten Lautsprecher mit dem mitgelieferten zweiadrigen Lautsprecherkabel. Um die bestmögliche Leistung sicherzustellen und Phasenaufhebung zu vermeiden, schließen Sie den roten Anschluss des rechten Lautsprechers an den roten Anschluss des linken Lautsprechers, und den schwarzen Anschluss des rechten Lautsprechers an den schwarzen Anschluss des linken Lautsprechers.
2. Verbinden Sie den Audio Ausgang Ihrer Audio Quelle wie etwa ein Computer, MP3 Player oder ein tragbares Audio Gerät an die RCA Eingänge des rechten Lautsprechers des MediaOne BT.
3. Drehen Sie die Lautstärkenregler des MediaOne BT vollkommen gegen den Uhrzeigersinn auf das kleinste Volumen.
4. Verbinden Sie den MediaOne BT über das mitgelieferte Stromkabel an eine Wechselstrom Steckdose.
5. Schalten Sie den Hauptschalter an der Rückseite des MediaOne BT auf die ON Position.
6. Spielen Sie von Ihrer Audio Quelle Musik ab und erhöhen Sie langsam die Lautstärke des MediaOne BT auf das gewünschte Niveau.

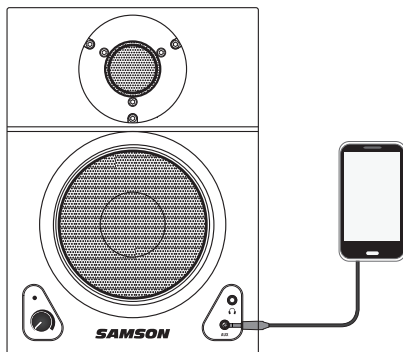


Anmerkung: Bevor Sie Geräte einstecken und einschalten, denken Sie an die "Last on, First off" / Als letzter eingeschaltet, als erster ausgeschaltet Regel von Verstärkern und verstärkten Lautsprechern. Wenn Sie Ihr System einschalten, vergewissern Sie sich, dass alle Kabel angeschlossen sind. Schalten Sie Ihren Mixer und irgendwelche anderen externen Geräte ein und schalten Sie zuletzt Ihre MediaOne BT Monitore ein. Wenn Sie das System ausschalten, schalten Sie zuerst Ihre MediaOne BT Lautsprecher aus und dann Ihren Mixer und andere externe Geräte.

Aux Eingang

Folgen Sie diesen Schritten, um ein anderes Audio Gerät, etwa ein Smartphone oder MP3 Player, an den Aux Eingang des MediaOne BT Monitor anzuschließen.

1. Stecken Sie das Audio Kabel vom Audio Gerät in die 1/8" AUX Eingangsbuchse an der Vorderseite des MediaOne BT Lautsprechers.
2. Drehen Sie die Lautstärkenregler des MediaOne BT vollkommen gegen den Uhrzeigersinn auf das kleinste Volumen.
3. Stellen Sie die Lautstärke des Audio Geräts auf fast maximale Position. Spielen Sie von Ihrer Audio Quelle Musik ab und erhöhen Sie langsam die Lautstärke des MediaOne BT auf das gewünschte Niveau.



Spezifikationen

Tieftöner

BT3	3" (76,2mm) Woofer mit Polypropylen Konus
BT4	4" (101,6mm) Woofer mit Polypropylen Konus
BT5	5.25" (127mm) Woofer mit Polypropylen Konus

Lautsprecher mit hoher Leistung . 1" Kalottenhochtöner

Frequenzgang

BT3	80Hz - 27kHz
BT4	45Hz - 27kHz
BT5	40Hz - 27kHz

Verstärkerleistung

BT3	2 x 15 watts (RMS) / 2 x 30 watts (Spitze)
BT4	2 x 20 watts (RMS) / 2 x 40 watts (Spitze)
BT5	2 x 20 watts (RMS) / 2 x 40 watts (Spitze)

Eingangsanschlüsse RCA (Rückseite), 3,5mm (Vorderseite),
-10dBV unabhgeglichen, Line Level

Kopfhörer 1/8" Stereo Ausgang

Steuerungen Lautstärkereglern, *Bluetooth* Pairing Taste

Kabelloses Audio Streaming *Bluetooth* (A2DP)

Indikatoren Zweifarbiges Indikatoren - Grün (eingeschaltet), Blau
(*Bluetooth*)

Gehäuse MDF mit strukturierter Vinylverkleidung

Sicherung

BT3

100V-127V	T1AL 250V Träg
220V-240V	T800mAL 250V Träg

BT4

100V-127V	T1.6AL 250V Träg
220V-240V	T800mAL 250V Träg

BT5

100V-127V	T1.6AL 250V Träg
220V-240V	T800mAL 250V Träg

Dimensionen (LxBxH)

BT3	5.5" x 6.6" x 7.8" (140mm x 167mm x 199mm)
BT4	6.6" x 7.9" x 9" (169mm x 200mm x 231mm)
BT5	8" x 9" x 11" (205mm x 229mm x 282mm)

Gewicht

BT3	10.56 lb / 4.8 kg (Paar)
BT4	16 lb / 7.3 kg (Paar)
BT5	21.12 / 9.6 kg (Paar)

Die angegebenen Spezifikationen können ohne Vorankündigung geändert werden.

La palabra de marca y el logotipo *Bluetooth*[®] son marcas comerciales registradas propiedad de *Bluetooth* SIG, Inc. y el uso de dichas marcas por partes de Samson Technologies es bajo licencia. Otras marcas comerciales y nombres comerciales son propiedad de sus respectivos propietarios.

Información de Seguridad Importante



ADVERTENCIA
PELIGRO DE SACUDIDA ELÉCTRICA -
NO ABRIR

ADVERTENCIA: CON EL FIN DE REDUCIR EL PELIGRO DE SACUDIDA ELÉCTRICA, NO RETIRE LA TAPA (O LA PARTE POSTERIOR). NO HAY PIEZAS CUYA REPARACIÓN PUEDA SER EFECTUADA POR EL USUARIO EN EL INTERIOR DEL APARATO. ENCARGUE LAS REPARACIONES A PERSONAL TÉCNICO DEBIDAMENTE CUALIFICADO.



Este símbolo de un relámpago con cabeza de flecha situado en el interior de un triángulo equilátero tiene como objeto alertar al usuario de la presencia de "tensión peligrosa" no aislada en el interior del alojamiento del producto que podría tener la magnitud suficiente para presentar un riesgo de sacudida eléctrica.



El símbolo de un signo de exclamación situado en el interior de un triángulo equilátero tiene como objeto alertar al usuario de la presencia de instrucciones de operación y mantenimiento importantes en la documentación que acompaña al aparato.





Si desea desechar este producto, recuerde que no deberá mezclarlo con los residuos domésticos habituales. Existe un sistema de recogida por separado para los productos electrónicos usados de conformidad con lo dispuesto en la legislación que exige un tratamiento, una recuperación y un reciclado adecuados.

Los hogares de los 25 estados miembros de la UE, Suiza y Noruega podrán devolver de forma gratuita sus aparatos electrónicos usados en las instalaciones de recogida habilitadas a tal fin o entregándolos al vendedor (en caso de adquirir un aparato nuevo similar).

Si se encuentra en algún país no incluido en los anteriormente mencionados, póngase en contacto con las autoridades locales para que le informen del método correcto para desechar el aparato eléctrico usado.

Al hacerlo de esta manera garantizará que el producto desechado se somete a los procesos de tratamiento, recuperación y reciclado necesarios, evitando así los posibles efectos negativos que estos aparatos tienen para el medio ambiente y la salud humana.

Información de Seguridad Importante

1. Lea cuidadosamente estas instrucciones.
2. Conserve estas instrucciones para cualquier consulta en el futuro.
3. Siga cuidadosamente todas las advertencias.
4. Observe y siga todas las instrucciones del fabricante.
5. No utilice este aparato cerca del agua.
6. Limpie el aparato solo con un trapo seco.
7. No bloquee las aperturas de ventilación. Instale el aparato de acuerdo con las instrucciones del fabricante.
8. No instale el aparato cerca de fuentes de calor como, por ejemplo, rejillas de calefacción, estufas u otros aparatos (incluyendo amplificadores) que produzcan calor.
9. No anule el sistema de seguridad del enchufe de tipo polarizado o con toma de tierra. Un enchufe polarizado tiene dos patillas, una más ancha que la otra. Un enchufe con toma de tierra tiene dos patillas normales y una tercera para la conexión a tierra. La patilla ancha o la tercera patilla se incluyen como medida de seguridad. Si el enchufe no encaja en su toma de corriente, llame a un electricista para que le cambie su toma anticuada.
10. Evite que el cable de corriente quede en una posición en la que pueda ser pisado o aplastado, especialmente en los enchufes, receptáculos y en el punto en el que sale de la unidad.
11. Utilice solo las conexiones/ accesorios especificados por el fabricante.
12. Utilice solo el soporte de carro, el soporte de trípode o la mesa especificados por el fabricante o vendidos junto con el aparato. Si utiliza un carro, es necesario que proceda con precaución a la hora de mover el conjunto del carro/aparato con el fin de evitar que vuelque y las lesiones personales que ello podría acarrearle.
13. Desenchufe este aparato durante las tormentas eléctricas o cuando no vaya a utilizarlo durante un período de tiempo prolongado.
14. Dirija cualquier posible reparación solo a personal técnico debidamente cualificado. Deberá hacer que su aparato sea reparado cuando esté dañado de cualquier manera, como por ejemplo si el cable de corriente o el enchufe están dañados, o si se han derramado líquidos, o se ha introducido algún objeto dentro de la unidad, si ésta ha quedado expuesta a la lluvia o la humedad, si no funciona normalmente o si ha caído al suelo.
15. Este aparato no debe exponerse al goteo o a las salpicaduras de líquidos. Tampoco deben colocarse sobre él objetos llenos de líquidos, como por ejemplo jarrones.
16. Atención - para evitar descargas eléctricas, introduzca totalmente las patillas del enchufe en las ranuras de la toma.
17. Mantenga este aparato en un entorno con buena ventilación.
18. ADVERTENCIA: El adaptador de corriente/ enchufe de red se utilizan como sistema de desconexión, por lo que debe colocarlos de forma que pueda acceder fácilmente a ellos.
19.  Este aparato es un aparato eléctrico de Clase II o con doble aislamiento. Está diseñado de tal manera que no requiere una conexión de seguridad a tierra.
20.  Eliminación correcta de este producto. Este marca indica que en la Unión Europea este producto no debe desecharse junto con el resto de la basura doméstica. Con el fin de evitar los posibles daños para el medio ambiente o la salud humana resultantes de la eliminación de residuos incontrolada, recicle este producto de manera responsable para promover la reutilización sostenible de los recursos materiales. Para devolver su dispositivo usado, utilice los sistemas de recogida y devolución o póngase en contacto con el establecimiento en el que adquirió el producto. Ellos podrán llevar el producto a un centro de reciclaje seguro para el medio ambiente.
21. No deben colocarse llamas expuestas, como por ejemplo velas, encima del aparato.



Información de Seguridad Importante

Aviso sobre las Normas FCC

1. Este dispositivo cumple lo estipulado en la Sección 15 de las Normas FCC. Su funcionamiento está sujeto a las dos condiciones siguientes:
 - (1) Este aparato no puede producir interferencias molestas.
 - (2) Este aparato debe aceptar cualquier interferencia recibida, incluyendo aquellas que puedan producir un funcionamiento no deseado de la unidad.
2. Los cambios o modificaciones no aprobados expresamente por el responsable del cumplimiento normativo podrían anular la autorización del usuario para utilizar el equipo.

Declaración FCC

Se ha verificado que este aparato cumple con los límites establecidos para un dispositivo digital de Clase B, de acuerdo a lo establecido en la Sección 15 de las Normas FCC. Estos límites han sido diseñados para ofrecer una protección razonable contra las interferencias molestas en instalaciones residenciales.

Este aparato genera, utiliza y puede emitir energía de radiofrecuencia y, si no se instala y utiliza de acuerdo con las instrucciones, puede producir interferencias molestas en las comunicaciones de radio. No obstante, no está garantizado que estas interferencias no se produzcan en una instalación concreta. Si este aparato produce interferencias molestas en la recepción de la radio o la televisión, lo cual podrá comprobar fácilmente apagando y encendiendo este aparato, el usuario será el responsable de tratar de corregir dichas interferencias por medio de una o más de las siguientes medidas:

- Reoriente o reubique la antena receptora.
- Aumente la distancia de separación entre este aparato y el receptor.
- Conecte este aparato a una salida de corriente o regleta distinta a la que esté conectado el receptor.
- Pida consejo a un técnico especialista en radio/TV o en el establecimiento en el que adquirió el producto.

Declaración de Advertencia de RF

Este dispositivo se ha evaluado para comprobar que no supera el requisito de exposición de RF general. El dispositivo puede utilizarse en condiciones de exposición portátil sin restricciones.

Este dispositivo cumple la Norma RSS-310 de Industry Canada. El funcionamiento está sujeto a la condición de que el dispositivo no produzca interferencias molestas.

CE2200

ENGLISH

FRANÇAIS

DEUTSCHE

ESPAÑOL

ITALIANO

Índice

Introducción49
Características del MediaOne BT50
Vistas del MediaOne BT51
Posicionamiento de los Altavoces.53
Emparejamiento con un Dispositivo <i>Bluetooth</i> [®]54
Conexiones55
Entrada AUX56
Especificaciones57

Introducción

Le agradecemos que haya decidido adquirir el Monitor de Referencia de Estudio MediaOne BT con transmisión de audio por *Bluetooth*[®] de Samson Technologies. Tanto si lo que necesita es un sistema de monitores para su estudio de grabación digital, un equipo de producción de vídeo o si simplemente quiere unos mejores monitores para sus vídeo-juegos o para escuchar música desde su ordenador, el MediaOne es la solución perfecta. El sistema de monitores produce un sonido potente de rango completo gracias al amplificador interno, a los *woofers* de copolímero de rango ampliado y a los *tweeters* de cúpula de seda de 1 pulgada. Además, el sistema MediaOne proporciona unos graves de gran profundidad y unos agudos ampliados en un dispositivo de un tamaño sorprendentemente reducido y compacto.

El sistema MediaOne está formado por un monitor activo para el lado derecho y un monitor pasivo para el izquierdo. Con el fin de facilitar la integración en su sistema de audio, los altavoces ofrecen la posibilidad de conectar dos fuentes de audio bien a través de las entradas RCA del panel trasero o de la entrada AUX de 3,5 mm del panel frontal. Si desea escuchar música en privado, los altavoces se silenciarán cuando se conecte un par de auriculares. La conectividad *Bluetooth* le permitirá transmitir y escuchar música desde su teléfono inteligente, tableta u ordenador, con la libertad que supone el hecho de no tener que conectar ningún cable o acoplar dispositivos.

En estas páginas, encontrará una descripción detallada de las características de los monitores MediaOne BT, así como un recorrido guiado por su panel de

control, instrucciones paso-a-paso para su configuración y uso y las especificaciones técnicas completas del dispositivo. También encontrará una tarjeta de garantía – no olvide rellenarla y enviárnosla por correo para que pueda recibir soporte técnico online y para que le podamos ofrecer información actualizada sobre éste y otros productos de Samson en el futuro. Además, no deje de visitar nuestra web (www.samsontech.com) para ver toda la información sobre nuestra línea de productos.

Le recomendamos que anote los datos indicados en las líneas siguientes y los conserve junto con una copia de su factura de compra.

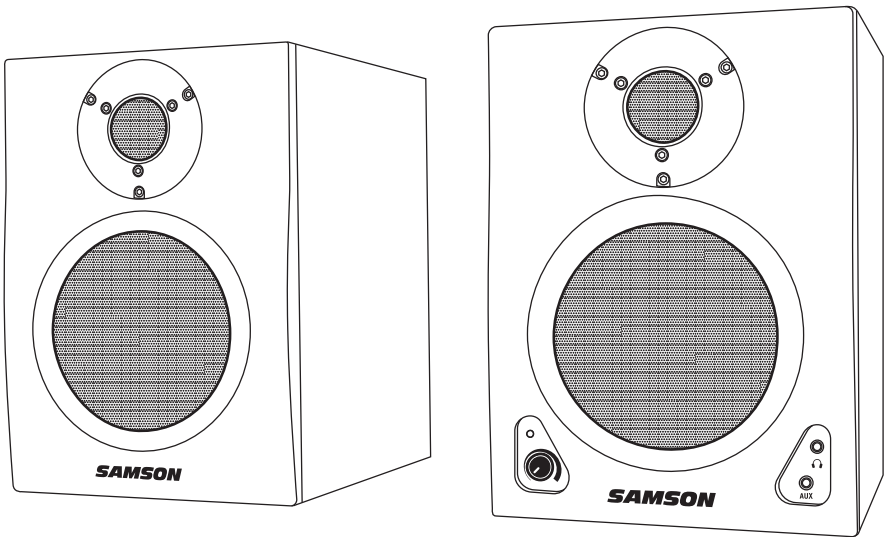
Número de serie: _____

Fecha de compra: _____

Nombre del distribuidor: _____

Con unos cuidados y mantenimiento adecuados, sus monitores de estudio MediaOne BT funcionarán sin ningún problema durante muchos años. En el caso improbable de que en algún momento tuviera que reparar este aparato, deberá solicitarnos un número de Autorización de Devolución (RA) para poder enviar su unidad a Samson. Sin este número no se aceptará el aparato. Póngase en contacto con Samson en el número 1-800- 3SAMSON (1-800-372-6766) para que le facilitemos este número de autorización de devolución antes de enviarnos la unidad. Si fuera posible, conserve el embalaje original y los materiales de protección para devolvernos la unidad dentro de ellos. Si compró su unidad fuera de los Estados Unidos, póngase en contacto con su distribuidor en lo relativo a los detalles de la garantía y la información de servicio.

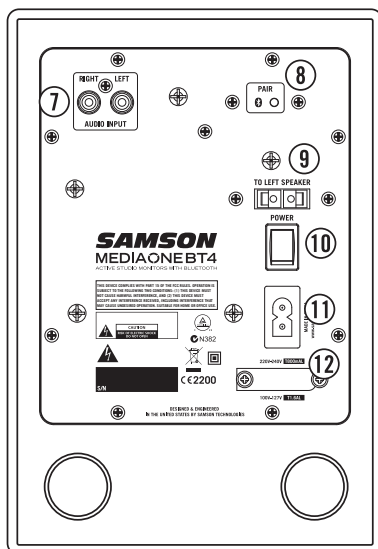
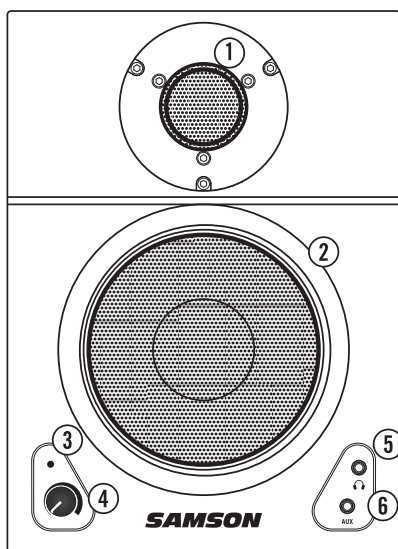
Características del MediaOne BT



- Monitores de referencia de estudio de dos vías, activos, con recintos acústicos afinados y con puerto que ofrece una monitorización extremadamente precisa para aplicaciones de estudios de grabación, reproducción y multimedia.
- Conectividad *Bluetooth*[®] para la transmisión de música desde su teléfono inteligente, tableta, ordenador u otro dispositivo móvil.
- Los *woofers* de copolímero rodeados de butilo proporcionan una respuesta de bajos compacta y controlada.
- Cabezal de agudos de cúpula de seda de 1 pulgada montado sobre una guía de ondas de diseño exclusivo. Produce una respuesta en frecuencias agudas suave y natural y una amplia área de escucha.
- El control de volumen del panel frontal le permite ajustar fácilmente el nivel de volumen.
- Entrada AUX de 3,5mm en el panel frontal para la conexión de una segunda fuente de audio desde un reproductor MP3, ordenador portátil o cualquier dispositivo de audio portátil estéreo.
- El conector de auriculares de 3,5 mm estéreo del panel frontal desconecta automáticamente los altavoces cuando se conectan los auriculares.
- Las entradas RCA del panel trasero aceptan cualquier entrada de nivel de línea estándar de -10 dBV para la conexión de audio desde su ordenador, mesa de mezclas y otros dispositivos de nivel de línea estéreo.
- Su sólida construcción en MDF (fibra de densidad media) le ofrece el máximo SPL.

Vistas del MediaOne BT

Altavoz Activo (altavoz derecho)



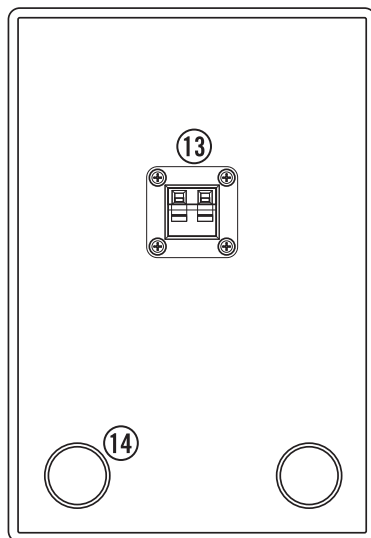
1. **Tweeter** - tweeter de cúpula de seda de 1 pulgada montado sobre una guía de ondas de diseño exclusivo
2. **Cabezal de Graves** - *woofer* de alta resistencia con un cono de polipropileno y rodeado de butilo para una respuesta de bajas frecuencias ampliada
3. **Indicador de Alimentación/Emparejamiento (activo)** - el LED bicolor se ilumina en color verde para indicar que la unidad está encendida y en color azul para indicar que está emparejada con un dispositivo *Bluetooth*®. Alternativamente también parpadea en verde y azul cuando la unidad está en el modo de emparejamiento
4. **VOLUMEN (activo)** - controla la magnitud del nivel de salida global
5. **Conector de Auriculares** - conector de salida estéreo de 3,5 mm para la conexión de auriculares. Los monitores se silencian automáticamente cuando se conectan los auriculares
6. **Entrada AUX** - conector de entrada estéreo de 3,5 mm para la conexión de una segunda fuente de señal de nivel de línea
7. **ENTRADA DE AUDIO** - conectores de entrada tipo RCA, estéreo no balanceada, para la conexión de salida de audio de dispositivos de nivel de consumo (-10dBV) como un ordenador, un reproductor MP3 o un teléfono inteligente. El conector rojo es para la entrada derecha y el conector blanco es para la entrada izquierda.

Vistas del MediaOne BT

8. **Interruptor de EMPAREJAMIENTO** - Pulse este interruptor para activar el modo detectable con el fin de conectar y emparejar un dispositivo *Bluetooth*[®].
9. **AL ALTAVOZ IZQUIERDO** - Presione los terminales para conectar el altavoz de ampliación del lado izquierdo pasivo utilizando el cable de altavoz de dos conductores incluido. Asegúrese de que la polaridad de los altavoces derecho e izquierdo sea correcta de acuerdo con los colores de los terminales: conecte el terminal de altavoz rojo del altavoz del lado derecho al terminal de altavoz rojo para el altavoz del lado izquierdo y el terminal de altavoz negro del altavoz del lado derecho al terminal de altavoz negro para el altavoz del lado izquierdo.
10. **Interruptor de ALIMENTACIÓN** - Interruptor de encendido principal.
11. **ENTRADA DE CA** - Conecte aquí el cable de alimentación suministrado con la unidad.
12. **Interruptor de Selección de Tensión** - Este interruptor se utiliza para seleccionar la tensión de funcionamiento de los amplificadores.
NOTA: Antes de utilizar su altavoz, asegúrese de que el Interruptor de Selección de Tensión esté ajustado en la tensión correcta para su país.

Altavoz Pasivo (altavoz izquierdo)

13. **Conexiones de Altavoz** - Presione los terminales para conectar el altavoz de ampliación del lado izquierdo pasivo utilizando el cable de dos conductores incluido. Asegúrese de que la polaridad de los altavoces derecho e izquierdo sea correcta de acuerdo con los colores de los terminales: conecte el terminal de altavoz rojo del altavoz del lado derecho al terminal de altavoz rojo para el altavoz del lado izquierdo y el terminal de altavoz negro del altavoz del lado derecho al terminal de altavoz negro para el altavoz del lado izquierdo.
14. **Puerto de Bajos** - Puerto de bajos de baja frecuencia afinado para ampliar el extremo de bajos de los armarios de los altavoces. No bloquee los puertos, ya que el rendimiento general de los altavoces se vería afectado.



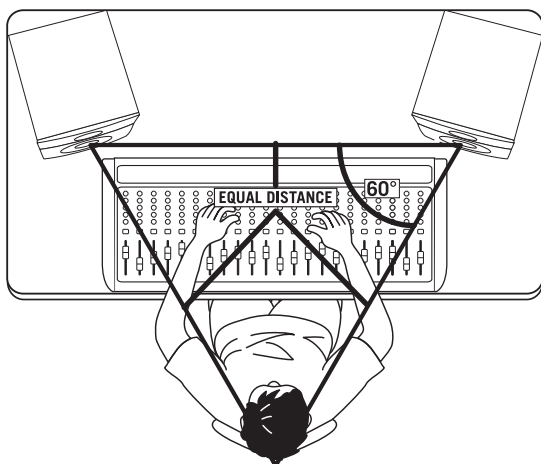
Posicionamiento de los Altavoces

Uno de los objetivos principales a la hora de colocar los monitores de estudio consiste en obtener la mejor imagen de estéreo posible. Los monitores MediaOne BT están diseñados para utilizarse en posición vertical, con el *tweeter* y el *woofer* alineados simétricamente. No coloque estos altavoces tumbados sobre uno de los laterales, ya que se produciría una descompensación del sonido entre el *tweeter* y el *woofer*, lo que limitaría las posibilidades de encontrar posiciones de escucha óptimas.

La monitorización de campo cercano (cerca del oyente) se ha convertido en la elección de muchos técnicos debido al coste y las complejidades asociados al montaje de los monitores en las paredes. El posicionamiento correcto de los monitores de estudio es un aspecto muy importante. La colocación correcta no solo crea la imagen de estéreo correcta, sino que también minimiza los efectos de las reflexiones que se producen en la sala. Esto es especialmente importante en los estudios de proyectos de hoy en día, que en muchos casos son espacios multiusos. Si dedica algún tiempo a la colocación de los monitores, guiándose por su oído, podrá crear un entorno de escucha óptimo.

El aspecto más importante a la hora de evaluar la acústica de la sala es la presencia de superficies reflexivas cerca del área de monitorización. Estas superficies pueden ser mesas, espejos o cuadros, grandes paredes planas e incluso la propia superficie de la mesa de mezclas. La mayor parte del sonido reflejado llegará finalmente a la posición de escucha, pero dado que estará ligeramente retardado con respecto a la fuente directa, el resultado será una cancelación aleatoria de algunas frecuencias, también denominado filtro de peine. Si fuera posible, elimine todas estas superficies reflexivas. También puede serle de ayuda colocar algún aislamiento acústico en las paredes más cercanas a los monitores.

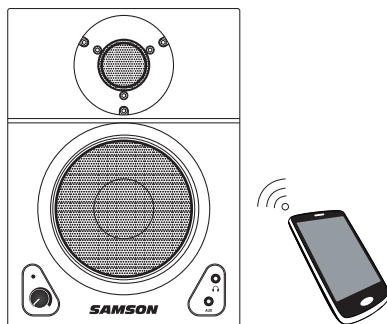
A la hora de colocar los monitores, le interesará colocarlos de la forma denominada habitualmente "triángulo de mezcla" (vea la siguiente ilustración). En esta configuración ideal, el espacio entre los dos monitores debe ser igual a la distancia desde cada uno de ellos al oyente, formando un triángulo equilátero.



Emparejamiento con un Dispositivo *Bluetooth*[®]

Bluetooth[®] es una tecnología de comunicación inalámbrica que permite la conectividad entre una amplia gama de dispositivos. El MediaOne BT utiliza *Bluetooth* para transmitir en vivo audio de alta calidad desde su dispositivo con función *Bluetooth* sin necesidad de conectar ningún cable. Para que su dispositivo *Bluetooth* funcione con el MediaOne BT, antes es necesario efectuar el emparejamiento.

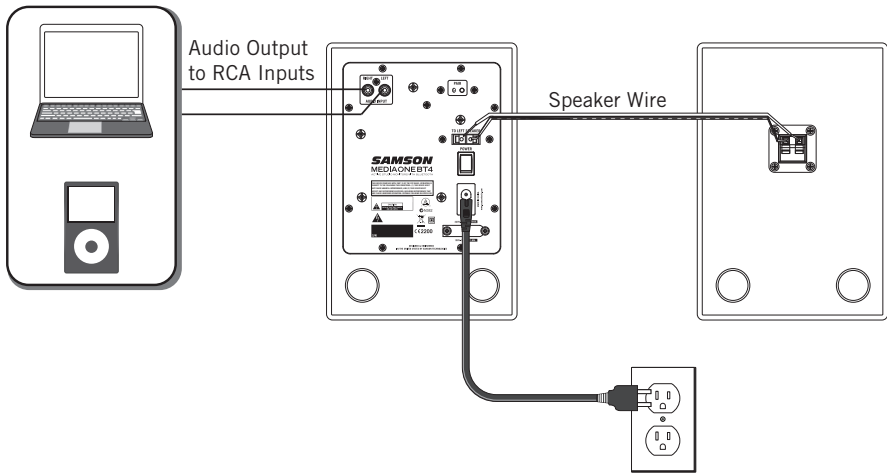
1. Gire el control de volumen del panel frontal en el sentido contrario a las agujas del reloj para situarlo en la posición 0.
2. Con el MediaOne BT y con su dispositivo *Bluetooth* encendidos, pulse el botón de EMPAREJAMIENTO del panel trasero del altavoz del MediaOne BT para hacer que el altavoz sea detectable. El Indicador del panel frontal comenzará a parpadear lentamente en azul.
3. En los ajustes de su dispositivo *Bluetooth*, ajuste el modo de detección para detectar los dispositivos disponibles.
4. En la lista de dispositivos *Bluetooth*, seleccione el dispositivo "Samson BT".
5. Si su dispositivo le solicita una clave, introduzca 0000 (cuatro ceros) y pulse Aceptar. Algunos dispositivos también podrían pedirle que acepte la conexión.
6. Mientras el MediaOne BT se esté conectando a su dispositivo, el indicador del panel frontal se volverá verde durante algunos segundos y, a continuación, comenzará a parpadear rápidamente en azul.
7. El altavoz del MediaOne BT indica que el emparejamiento ha finalizado cuando el indicador se ilumina de manera fija en color azul. Ahora ya puede transmitir audio desde su dispositivo a los altavoces del MediaOne BT.
8. Con el control de volumen de su dispositivo *Bluetooth* activado, reproduzca música y suba lentamente el control de volumen del MediaOne BT hasta alcanzar el nivel deseado.



Conexiones

Las conexiones de entrada principal del MediaOne BT pueden efectuarse a través de las entradas RCA del panel trasero de la unidad. Siga los sencillos pasos y el diagrama de esta sección para conectar rápidamente sus monitores utilizando las salidas de sala de control de una mesa de mezclas estándar.

1. Conecte los altavoces izquierdo y derecho utilizando el cable de altavoz de dos conectores incluido. Con el fin de obtener los mejores resultados y evitar problemas de cancelación de fase, conecte el terminal de altavoz rojo del altavoz del lado derecho al terminal de altavoz rojo para al altavoz del lado izquierdo y el terminal de altavoz negro del altavoz del lado derecho al terminal de altavoz negro para al altavoz del lado izquierdo.
2. Conecte la salida de audio de su fuente de audio, como por ejemplo un ordenador, un reproductor MP3 o un dispositivo de audio portátil, a las entradas RCA del altavoz del lado derecho del MediaOne BT.
3. Gire totalmente el control de volumen del MediaOne BT en el sentido contrario a las agujas del reloj hasta situarlo en el ajuste mínimo.
4. Conecte el MediaOne BT a una toma de alimentación de CA utilizando el cable de alimentación suministrado con la unidad.
5. Encienda el interruptor de alimentación del MediaOne BT situándolo en la posición de ON.
6. Reproduzca música de su fuente de audio y suba lentamente el volumen del MediaOne BT hasta alcanzar un volumen de escucha agradable.

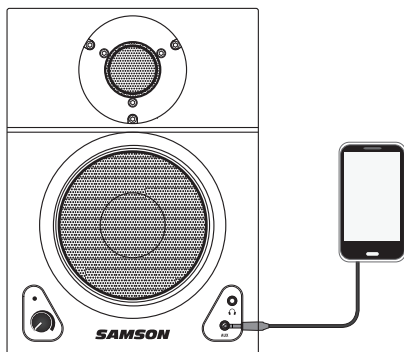


Nota: Antes de conectar las unidades y de encenderlas, recuerde la regla "el último en encender, primero en apagar" de los amplificadores de potencia (y de los monitores autoamplificados). Cuando encienda su sistema, asegúrese de que todos los cables estén conectados, encienda la mesa de mezclas y el resto de unidades exteriores y finalmente encienda el MediaOne BT. A la hora de apagarlo, apague primero el MediaOne BT y después el resto de las unidades exteriores.

Entrada AUX

Siga los pasos que se indican a continuación para añadir otro dispositivo de audio, como por ejemplo un teléfono inteligente o reproductor MP3, a la entrada AUX del monitor del MediaOne BT.

1. Enchufe un cable de audio desde el dispositivo de audio al conector de la entrada AUX de $\frac{1}{8}$ " de la parte frontal del altavoz del MediaOne BT.
2. Gire totalmente el control de volumen del MediaOne BT en el sentido contrario a las agujas del reloj hasta situarlo en el ajuste mínimo.
3. Ajuste el volumen en el dispositivo de audio conectado casi en el nivel máximo. Reproduzca música de su fuente de audio y suba lentamente el volumen del MediaOne BT hasta alcanzar un volumen de escucha agradable.



Especificaciones

Altavoces de Baja Frecuencia

- BT3 *woofer* de 3" (76,2 mm), cono de polipropileno
- BT4 *woofer* de 4" (101,6 mm) con cono de polipropileno
- BT5 *woofer* de 5.25" (127 mm) con cono de polipropileno

Altavoz de Alta Frecuencia *tweeter* de cúpula de seda de 1"

Respuesta de Frecuencia

- BT3 80Hz - 27kHz
- BT4 45Hz - 27kHz
- BT5 40Hz - 27kHz

Régimen de Potencia del Amplificador

- BT3 2 x 15 watts (RMS) / 2 x 30 watts (Picos)
- BT4 2 x 20 watts (RMS) / 2 x 40 watts (Picos)
- BT5 2 x 20 watts (RMS) / 2 x 40 watts (Picos)

Conectores de Entrada RCA (panel trasero), 3,5 mm (panel frontal), nivel de línea, no balanceada, -10dBV

Auriculares 1/8" Salida Estéreo

Controles Control de Volumen, Botón de Emparejamiento
Bluetooth

Audio Inalámbrico *Bluetooth* (A2DP)

Indicadores Bicolor - Verde (Alimentación, Azul (*Bluetooth*))

Recinto MDF con cobertura de vinilo texturizado

Fuse

- BT3
 - 100V-127V T1AL 250V Slow-Blow
 - 220V-240V T800mAL 250V Slow-Blow
- BT4
 - 100V-127V T1.6AL 250V Slow-Blow
 - 220V-240V T800mAL 250V Slow-Blow
- BT5
 - 100V-127V T1.6AL 250V Slow-Blow
 - 220V-240V T800mAL 250V Slow-Blow

Dimensiones (Largo x Ancho x Alto)

- BT3 5,5" x 6,6" x 7,8" (140 mm x 167 mm x 199 mm)
- BT4 6,6" x 7,9" x 9" (169 mm x 200 mm x 231 mm)
- BT5 8" x 9" x 11" (205 mm x 229 mm x 282 mm)

Peso

- BT3 10,56 libras / 4,8 kg (par)
- BT4 16 libras / 7,3 kg (par)
- BT5 21,12 libras / 9,6 kg (par)

Las especificaciones están sujetas a cambios sin previo aviso.

Il marchio scritto e i logo *Bluetooth*[®] sono marchi commerciali registrati di proprietà di *Bluetooth* SIG, Inc. e qualsiasi utilizzo di detti marchi da parte di Samson Technologies ha luogo in virtù di una licenza. Altri marchi e nomi commerciali appartengono ai rispettivi proprietari.

Informazioni importanti sulla sicurezza



ATTENZIONE
RISCHIO DI FOLGORAZIONE -
NON APRIRE

AVVERTIMENTO: PER RIDURRE IL RISCHIO DI FOLGORAZIONI, NON ASPORTARE IL COPERCHIO (O LA PARTE POSTERIORE) IN QUANTO ALL'INTERNO DELL'APPARECCHIO NON CI SONO COMPONENTI RIPARABILI DALL'UTENTE. PER LE RIPARAZIONI RIVOLGERSI A PERSONALE DI ASSISTENZA QUALIFICATO.



Il simbolo del fulmine con la punta a forma di freccia all'interno di un triangolo equilatero ha lo scopo di avvisare l'utente della presenza di "tensioni pericolose" non isolate nella cassa del prodotto, di ampiezza sufficiente a costituire un rischio di folgorazione.



Il punto esclamativo all'interno di un triangolo equilatero ha lo scopo di avvisare l'utente della presenza di importanti istruzioni di funzionamento e manutenzione nella documentazione a corollario dell'apparecchio.



Se si desidera smaltire il prodotto non metterlo tra i rifiuti domestici generici. Esiste un sistema di raccolta separato per i prodotti elettronici usati conformemente con la normativa che prescrive trattamento, recupero e riciclaggio corretti.

I soggetti privati nei 25 stati membri dell'UE, in Svizzera e in Norvegia potranno rendere gratuitamente i propri prodotti elettronici usati presso le strutture di raccolta a ciò preposte o a un rivenditore (acquistando un prodotto nuovo simile).

Per quanto concerne i Paesi non menzionati sopra, contattare le autorità locali per venire a conoscenza dei corretti metodi di smaltimento.

Così facendo ci si assicurerà che il prodotto smaltito sia sottoposto al trattamento e alle operazioni di recupero e riciclaggio necessari e si eviteranno effetti potenzialmente negativi per l'ambiente e la salute umana

ENGLISH



FRANÇAIS

DEUTSCHE

ESPAÑOL

ITALIANO

Informazioni importanti sulla sicurezza

1. Leggere le presenti istruzioni.
2. Conservare le presenti istruzioni.
3. Prestare attenzione a tutte le avvertenze.
4. Seguire tutte le istruzioni.
5. Non utilizzare l'apparecchio vicino all'acqua.
6. Pulire unicamente con un panno asciutto.
7. Non bloccare alcuna delle aperture di ventilazione. Eseguire l'installazione conformemente alle istruzioni della società produttrice.
8. Non installare nei pressi di sorgenti di calore come termosifoni, registri di calore, stufe o altri apparecchi (compresi gli amplificatori) che producono calore.
9. Non ignorare lo scopo di sicurezza della spina polarizzata o con messa a terra. Una spina polarizzata ha due lame, una più ampia dell'altra. Una spina con messa a terra ha due lame e un terzo connettore di messa a terra. La lama larga, o il terzo polo, è inserita/o per la sicurezza dell'utente. Se la spina in dotazione non è adatta per la propria presa, consultare un elettricista per sostituire la presa obsoleta.
10. Proteggere il cavo di alimentazione in modo che non venga calpestato o schiacciato, soprattutto in corrispondenza delle spine, dei connettori e del punto in cui essi escono dall'apparecchio.
11. Usare soltanto dispositivi/accessori specificati dalla società produttrice.
12. Usare unicamente con il carrello, basamento, treppiede, sostegno o tavolo specificati dalla società produttrice o venduti con l'apparecchio. Quando si utilizza un carrello, fare attenzione nello spostamento dell'insieme carrello/apparecchio per evitare lesioni da ribaltamento.
13. Staccare la spina dell'apparecchio dalla presa di corrente durante i temporali o quando non è utilizzato per lunghi periodi di tempo.
14. Per qualsiasi riparazione rivolgersi a personale di assistenza qualificato. Eventuali riparazioni sono necessarie se l'apparecchio è stato danneggiato in qualche modo, come nel caso di guasti al cavo di alimentazione o alla spina, danni provocati dal rovesciamento di liquido o dalla caduta di oggetti sull'apparecchio, esposizione alla pioggia o all'umidità, o se l'apparecchio non funziona in modo normale o è stato fatto cadere.
15. L'apparecchio non deve essere esposto a sgocciolamento o schizzi di liquido e su di esso non deve essere posato alcun oggetto contenente liquido, come per esempio un vaso.
16. Fare attenzione ad evitare folgorazioni, inserire completamente la lama larga della spina nella fessura larga della presa.
17. Mantenere una corretta ventilazione attorno all'intera unità.
18. **AVVERTIMENTO:** la spina elettrica/l'accoppiatore dell'apparecchio viene utilizzata/o come dispositivo di disconnessione, si dovrà sempre essere in condizione di poter mettere prontamente in funzione detto dispositivo di disconnessione.
19.  Questa attrezzatura è un apparecchio elettrico di Classe II o dotato di doppio isolamento. È stata progettata in modo tale da non richiedere un collegamento elettrico a terra per ragioni di sicurezza.
20.  Corretto smaltimento del prodotto. Questa marcatura indica che in tutto il territorio dell'UE il prodotto non dovrà essere smaltito con altri rifiuti domestici. Per evitare possibili danni all'ambiente o alla salute dell'uomo derivanti da uno smaltimento incontrollato dei rifiuti, riciclare responsabilmente il prodotto per promuovere il riutilizzo sostenibile delle risorse materiali. Per restituire un dispositivo usato, ricorrere ai sistemi di raccolta e restituzione o contattare il rivenditore presso il quale il prodotto è stato acquistato. È il soggetto in grado di ritirare il prodotto promuovendone un riciclaggio sicuro dal punto di vista ambientale.
21. Sull'apparecchio non dovranno essere appoggiate delle sorgenti di calore e innesco come candele accese.



Informazioni importanti sulla sicurezza

Avvertenza FCC

1. Il presente dispositivo è conforme con la Parte 15 delle norme FCC. Il funzionamento è soggetto alle seguenti due condizioni:
 - (1) Il dispositivo non potrà causare interferenze dannose.
 - (2) Il dispositivo deve accettare qualsiasi interferenza ricevuta, comprese quelle che potrebbero causarne il funzionamento indesiderato.
2. Variazioni o modifiche non espressamente approvate dalla parte responsabile per la conformità potrebbero rendere nulla l'autorizzazione all'utilizzo dell'apparecchio da parte dell'utente.

Dichiarazione di conformità alla norma FCC

L'apparecchio è stato testato e ritenuto conforme ai limiti applicabili ai dispositivi digitali di Classe B, conformemente alla Parte 15 delle norme FCC. Questi limiti hanno lo scopo di assicurare una protezione ragionevole dalle interferenze dannose negli impianti domestici.

L'apparecchio genera, usa e può irradiare energia in radiofrequenza e, se non installato e utilizzato conformemente con le istruzioni, potrebbe causare delle interferenze dannose alle comunicazioni radio. Tuttavia non ci sono garanzie che in impianti particolari non si producano interferenze. Se questo apparecchio effettivamente dovesse causare interferenze dannose al ricevimento di segnali radio o televisivi, che potrebbero essere determinate dal suo spegnimento e dalla sua accensione, l'utente è invitato a cercare di correggere le interferenze mettendo in atto una o più delle seguenti misure:

- Orientare o posizionare nuovamente l'antenna ricevente.
- Aumentare la separazione tra l'apparecchio e il ricevitore.
- Collegare l'apparecchio a una presa collocata su un circuito diverso da quello a cui il ricevitore è collegato.
- Chiedere assistenza al rivenditore o a un tecnico radio/TV esperto.

Avvertimento in materia di radiofrequenza

L'apparecchio è stato valutato in modo tale da soddisfare i requisiti generali di esposizione alla radiofrequenza. Il dispositivo può essere utilizzato nelle condizioni di esposizione degli apparecchi portatili senza restrizioni.

Il dispositivo è conforme alla RSS-310 di Industry Canada.
Il funzionamento è soggetto alla condizione che il dispositivo non causi interferenze dannose.

CE 2200

ENGLISH

FRANÇAIS

DEUTSCHE

ESPAÑOL

ITALIANO

Indice

Introduzione63
Caratteristiche del monitor MediaOne BT64
Layout del monitor MediaOne BT65
Posizionamento degli altoparlanti.67
Accoppiamento con un dispositivo <i>Bluetooth</i> [®]68
Realizzazione dei collegamenti69
Ingresso Aux70
Specifiche71

Introduzione

Vi ringraziamo per aver acquistato un monitor di riferimento da studio MediaOne BT con streaming audio *Bluetooth*[®] di Samson Technologies. Sia che abbiate bisogno di un sistema di monitor per uno studio di registrazione digitale, una suite di video produzione, sia che semplicemente desideriate degli altoparlanti migliori per giocare o ascoltare musica sul vostro computer, il monitor MediaOne è la soluzione perfetta. Il sistema di monitor produce un suono potente e full-range grazie all'amplificatore interno, ai woofer in copolimero a gamma estesa e ai tweeter a cupola in seta da 1" (25.4 mm). Inoltre, il sistema MediaOne consente di ottenere bassi profondi e toni alti estesi con apparecchi di dimensioni sorprendentemente compatte.

Il sistema MediaOne comprende un monitor attivo per il lato destro e uno passivo per il lato sinistro. Per poter essere facilmente integrati negli impianti audio degli utenti, gli altoparlanti sono dotati della caratteristica di potersi collegare a due sorgenti audio attraverso gli ingressi RCA posizionati sul pannello posteriore oppure attraverso l'ingresso Aux da 3,5 mm che si trova sul pannello anteriore. Per garantire la privacy dell'ascolto, gli altoparlanti verranno silenziati quando saranno collegate delle cuffie. La connettività *Bluetooth*[®] consente all'utente di ascoltare in streaming musica dal proprio smartphone, tablet o computer, liberamente, senza necessità di docking station o di collegare fili.

In queste pagine troverete una descrizione dettagliata delle caratteristiche del monitor MediaOne BT, oltre a un tour guidato attraverso il suo pannello di controllo, istruzioni passo per passo riguardo alla sua configurazione e al suo utilizzo e le specifiche complete dell'apparecchio. Troverete anche un certificato di garanzia — vi preghiamo di compilarlo e spedirlo in modo da poter ricevere assistenza tecnica on-line e da permetterci di inviarvi informazioni aggiornate su questi e altri prodotti Samson in futuro. Vi invitiamo inoltre a consultare il nostro sito web (www.samsontech.com) per ottenere informazioni complete su tutta la nostra linea di prodotti.

Vi consigliamo di conservare come riferimento i seguenti dati, oltre a una copia dello scontrino certificante l'acquisto.

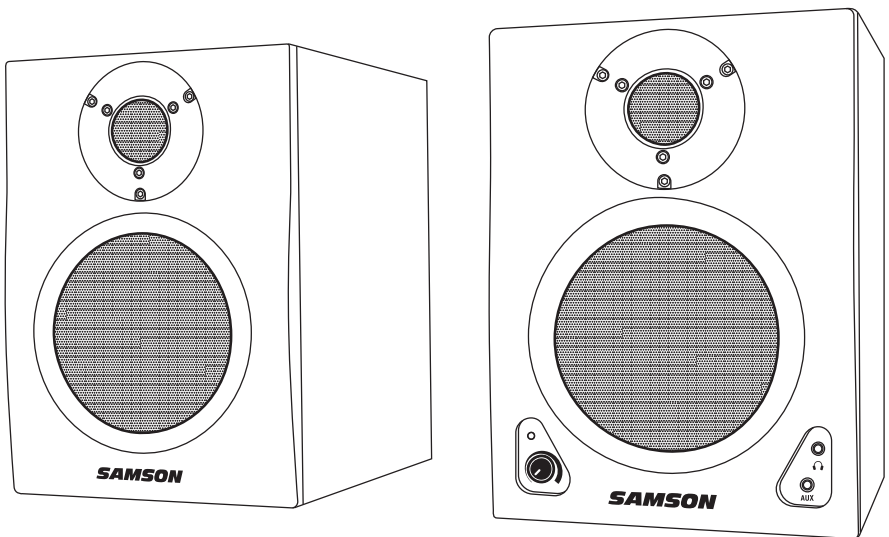
Numero di serie: _____

Data di acquisto: _____

Nome del rivenditore: _____

Con le dovute cure e manutenzione, i monitor MediaOne BT funzioneranno senza problemi per molti anni. Se gli altoparlanti dovessero necessitare riparazioni, bisognerà ottenere un numero di autorizzazione al reso (RA) prima di spedire l'unità a Samson. Senza questo numero, l'unità non sarà accettata. Vi preghiamo di contattare Samson allo 1-800-3SAMSON (1-800-372-6766) per ottenere un numero RA prima di spedire la vostra unità. Conservare la confezione originale e, se possibile, effettuare il reso dell'unità nel suo imballaggio originale. Se l'Expedition Express è stato acquistato fuori dal territorio degli Stati Uniti, contattare il distributore locale per dettagli sulla garanzia e informazioni sull'assistenza.

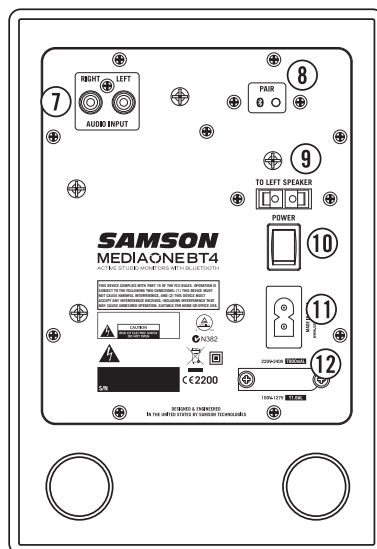
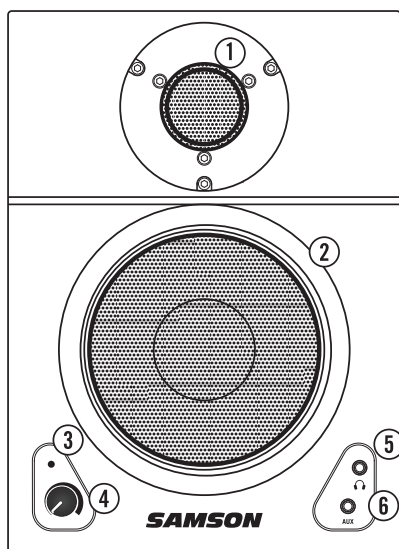
Caratteristiche del monitor MediaOne BT



- Studio monitor attivi a due vie con casse sintonizzate, dotate di porte, che offrono un monitoraggio estremamente preciso per registrazioni da desktop, riproduzione audio e applicazioni multimediali.
- Connettività *Bluetooth*[®] per eseguire lo streaming di musica da smartphone, computer o altri dispositivi mobili
- I woofer in copolimero con butyle surround consentono una risposta dei bassi solida e controllata
- Driver ad alta frequenza con cupola di seta da 1" (25.4 mm) integrato in una guida d'onda personalizzata. Produce una risposta in alta frequenza lineare e naturale e un'ampia area di ascolto
- Il dispositivo di regolazione del volume sul pannello anteriore consente di regolarne agevolmente il livello
- Ingresso Aux da 3,5 mm sul pannello anteriore per il collegamento di una seconda sorgente audio da un lettore MP3, un laptop o qualsiasi dispositivo audio stereo portatile
- Il jack stereo da 3,5 mm per l'inserimento delle cuffie sul pannello anteriore disattiva automaticamente gli altoparlanti quando le cuffie sono collegate
- Gli ingressi RCA del pannello posteriore accettano livelli del segnale di linea in ingresso pari a -10 dBV per collegamento audio da computer, mixer e altri dispositivi stereo con uscita di linea
- Una solida struttura in MDF (pannelli di fibra a media densità) fornisce il massimo livello di pressione sonora

Layout del monitor MediaOne BT

Altoparlante attivo (altoparlante destro)



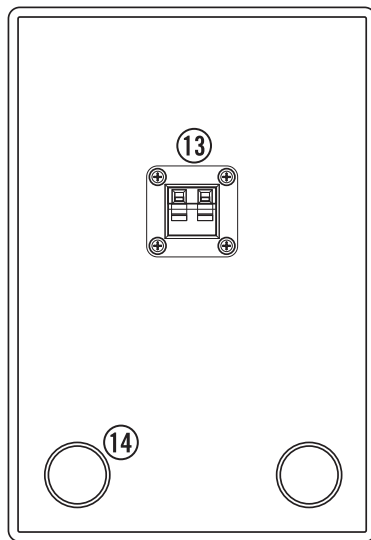
- 1. Tweeter** - Tweeter a cupola di seta da 1" (25.4 mm) inserito in una guida d'onda personalizzata
- 2. Driver a bassa frequenza** - Woofer per uso intensivo con cono in polipropilene e sospensione in copolimero butilico per una risposta estesa in bassa frequenza
- 3. Spia di accensione/indicazione di accoppiamento (attiva)** - Luci a LED bicolori: il verde indica che l'unità è accesa, il blu quando viene accoppiata con un dispositivo *Bluetooth*[®]. La spia lampeggia assumendo alternativamente colore verde e blu quando l'apparecchio è in modalità di accoppiamento
- 4. VOLUME (attivo)** - Controlla il quantitativo complessivo del livello di uscita
- 5. Jack per cuffie** - Jack di uscita stereo da 3,5 mm per il collegamento delle cuffie. I monitor vengono silenziati automaticamente quando le cuffie vengono collegate
- 6. Ingresso Aux** - Jack di ingresso stereo da 3,5 mm per collegare una seconda sorgente audio con uscita di linea.
- 7. INGRESSO AUDIO** - Connettori per ingresso audio stereo di tipo RCA sbilanciato, per il collegamento di uscite audio da dispositivi consumer (con livello del segnale di -10dBV) come computer, lettori MP3 o smartphone. Il connettore rosso è per l'ingresso destro, quello bianco per l'ingresso sinistro.

Layout del monitor MediaOne BT

8. **Pulsante di ACCOPPIAMENTO** - Premere questo pulsante per attivare la modalità scopribile e collegare e accoppiare l'apparecchio a un dispositivo *Bluetooth*®
9. **ALL'ALTOPARLANTE SINISTRO** - Terminali a spinta per collegare l'altoparlante passivo amplificato sinistro utilizzando il cavo per altoparlante con due conduttori in dotazione. Accertarsi di rispettare la polarità degli altoparlanti destro e sinistro facendo corrispondere i colori dei terminali: collegare il terminale rosso dell'altoparlante destro al terminale rosso dell'altoparlante sinistro e il terminale nero dell'altoparlante destro al terminale nero dell'altoparlante sinistro.
10. **Interruttore di ACCENSIONE** - Interruttore di alimentazione principale
11. **INGRESSO a c.a.** - Collegare in questo punto il cavo di alimentazione fornito
12. **Selettore di tensione** - Questo commutatore viene utilizzato per selezionare la tensione di funzionamento degli amplificatori
NOTA: prima di utilizzare l'altoparlante, accertarsi che il selettore di tensione sia impostato sulla tensione corretta per il Paese di appartenenza.

Altoparlante passivo (altoparlante sinistro)

13. **Collegamenti dell'altoparlante** - Terminali a spinta per collegare l'altoparlante passivo amplificato sinistro utilizzando il cavo per altoparlante con due conduttori in dotazione. Accertarsi di rispettare la polarità degli altoparlanti destro e sinistro facendo corrispondere i colori dei terminali: collegare il terminale rosso dell'altoparlante destro al terminale rosso dell'altoparlante sinistro e il terminale nero dell'altoparlante destro al terminale nero dell'altoparlante sinistro.
14. **Porta dei bassi** - Porta dei bassi sintonizzata a bassa frequenza per estendere la gamma bassa dei cabinet degli altoparlanti. Non bloccare le porte in quanto ciò limiterebbe le prestazioni complessive degli altoparlanti.



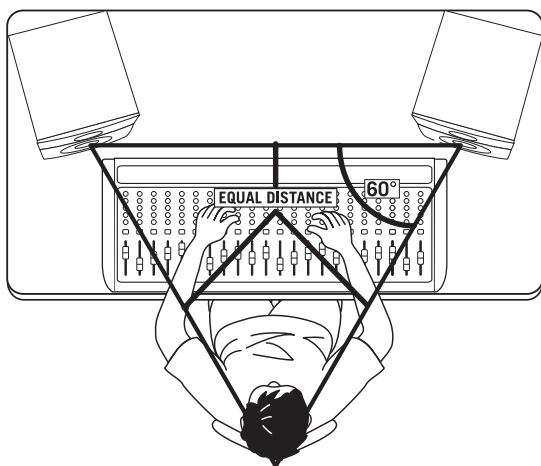
Posizionamento degli altoparlanti

Un obiettivo fondamentale nella configurazione dei monitor da studio è ottenere l'immagine stereo migliore possibile. I monitor MediaOne BT sono stati progettati per essere utilizzati in posizione verticale con tweeter e woofer simmetricamente allineati. Non posizionare questi altoparlanti orizzontalmente in quanto ciò provocherebbe una deviazione del percorso del suono tra woofer e tweeter, limitando la capacità dell'utente di trovare delle posizioni di ascolto ottimali.

Un sistema di monitoraggio in condizioni di campo vicino (vicino all'ascoltatore) è divenuto la scelta privilegiata da molti tecnici a causa dei costi e delle complessità connessi con il montaggio dei monitor sulle pareti. Posizionare in modo corretto i monitor da studio è molto importante. Un posizionamento corretto non solo produce una corretta riproduzione stereo, ma contribuisce anche a ridurre al minimo gli effetti di riflessione dell'ambiente. Ciò è importante soprattutto negli odierni project studio, che spesso sono spazi destinati a molteplici usi. Con un po' di tempo e di ascolto attento durante il montaggio dei monitor è possibile creare un ambiente di ascolto ottimale.

La considerazione più importante nella valutazione dell'acustica di una stanza è la presenza di superfici riflettenti accanto all'area di monitoraggio. Dette superfici possono comprendere piani di tavoli piatti, specchi in vetro o foto incorniciate, pareti aperte di vaste dimensioni o persino la superficie della console di missaggio. Anche il suono più riflesso alla fine raggiungerà la posizione di ascolto, ma, dal momento che è leggermente ritardato dalla sorgente diretta, il risultato sarà una cancellazione casuale di alcune frequenze o l'effetto di un filtro comb. Se possibile rimuovere tutte le superfici riflettenti. Potrebbe essere anche desiderabile appendere dei pannelli in schiuma acustica sulle pareti accanto ai monitor.

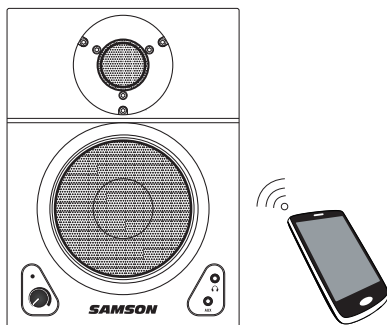
Nel posizionamento dei monitor, si desidererà configurare ciò a cui si fa comunemente riferimento con il termine di "triangolo di missaggio" (illustrato di seguito). In questa configurazione ideale, lo spazio tra il monitor destro e quello sinistro è pari alla distanza tra l'ascoltatore e ciascun monitor, andando così a formare un triangolo equilatero.



Accoppiamento con un dispositivo *Bluetooth*[®]

Il *Bluetooth*[®] è una tecnologia di comunicazione senza fili che consente di collegare una vasta serie di dispositivi. I monitor MediaOne BT fanno ricorso al *Bluetooth*[®] per effettuare lo streaming di audio di alta qualità da dispositivi abilitati *Bluetooth*[®] senza che sia necessario collegare dei cavi. Affinché un dispositivo funzioni con i monitor MediaOne BT deve prima essere eseguito un accoppiamento.

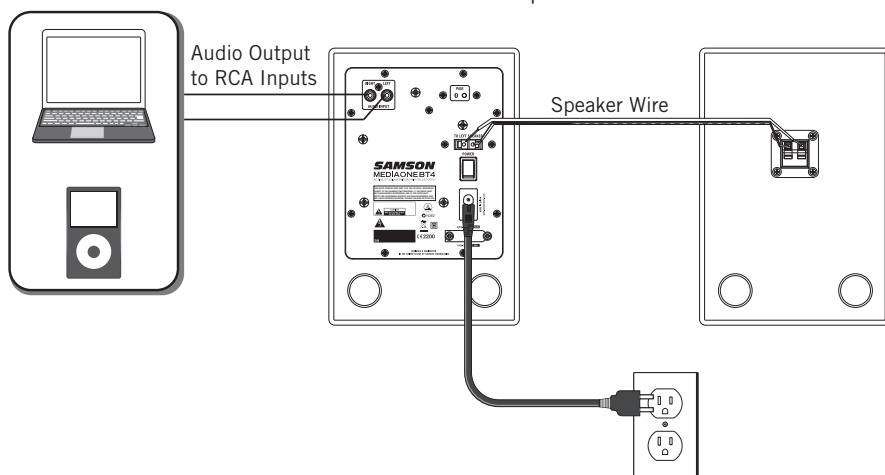
1. Ruotare il dispositivo di regolazione del volume posto sul pannello anteriore in senso antiorario portandolo sulla posizione 0.
2. Con il monitor MediaOne BT e il dispositivo *Bluetooth*[®] accesi premere il pulsante ACCOPPIAMENTO (PAIR) sul pannello posteriore dell'altoparlante MediaOne BT per rendere l'altoparlante scopribile. La spia posta sul pannello anteriore assumerà colore blu e lampeggerà lentamente.
3. Nelle impostazioni del dispositivo *Bluetooth*[®] configurarlo su "Scoprire i dispositivi disponibili".
4. Dall'elenco di dispositivi *Bluetooth*[®] selezionare il dispositivo "Samson BT".
5. Se il dispositivo richiede una passkey, inserire le cifre 0000 (quattro zeri) e premere OK. Alcuni dispositivi potrebbero anche chiedere all'utente di accettare il collegamento.
6. Durante il collegamento all'apparecchio del monitor MediaOne BT la spia posta sul pannello anteriore assumerà colore verde per pochi secondi e poi diventerà blu e comincerà a lampeggiare velocemente.
7. L'altoparlante MediaOne BT indica che l'accoppiamento è terminato quando la spia blu diviene fissa. A questo punto è possibile ascoltare in streaming audio trasmesso dal dispositivo attraverso gli altoparlanti MediaOne BT.
8. Dopo aver aumentato il volume sul dispositivo *Bluetooth*[®], riprodurre della musica e alzare lentamente il volume del monitor MediaOne BT fino a raggiungere il livello desiderato.



Realizzazione dei collegamenti

I principali collegamenti agli ingressi del MediaOne BT possono essere effettuati attraverso gli ingressi RCA posti sul pannello posteriore. Seguire le semplici operazioni e le indicazioni del diagramma sotto riportate per effettuare rapidamente un collegamento utilizzando le normali uscite Control room di una console di registrazione.

1. Collegare gli altoparlanti sinistro e destro con il cavo per altoparlante con due conduttori in dotazione. Per garantire le prestazioni migliori ed evitare problemi legati alla cancellazione di fase, collegare il terminale rosso dell'altoparlante destro al terminale rosso dell'altoparlante sinistro e il terminale nero dell'altoparlante destro al terminale nero dell'altoparlante sinistro
2. Collegare l'uscita audio di una sorgente audio come un computer, un lettore MP3 o un dispositivo audio portatile agli ingressi RCA dell'altoparlante MediaOne BT destro.
3. Ruotare il dispositivo di regolazione del volume del monitor MediaOne BT completamente in senso antiorario per impostarlo sul minimo.
4. Collegare l'altoparlante MediaOne BT a una presa di corrente a c.a. con il cavo di alimentazione fornito.
5. Ruotare l'interruttore di accensione del monitor MediaOne BT portandolo sulla posizione ON.
6. Riprodurre della musica da una sorgente audio a scelta e alzare lentamente il volume del monitor MediaOne BT a un livello di ascolto piacevole.

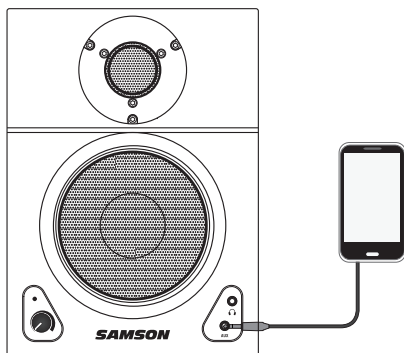


Nota: prima di inserire le spine e accendere le unità ricordare che vale la regola "l'ultimo acceso è il primo spento" che si applica agli altoparlanti amplificati. Quando si accende l'impianto, accertarsi che tutti i cavi siano collegati, accendere il mixer e qualsiasi altro outboard e solo alla fine accendere l'apparecchio MediaOne BT. Quando si spegne il sistema, spegnere prima il monitor MediaOne BT e poi il mixer e gli altri outboard.

Ingresso Aux

Per aggiungere un altro dispositivo audio come uno smartphone o un lettore MP3, collegandolo all'ingresso Aux del monitor MediaOne BT eseguire le seguenti operazioni.

1. Inserire un cavo audio proveniente dal dispositivo audio nel connettore da $\frac{1}{8}$ " (31,75 mm) dell'ingresso AUX posizionato sulla parte anteriore dell'altoparlante MediaOne BT.
2. Ruotare il dispositivo di regolazione del volume del monitor MediaOne BT completamente in senso antiorario per impostarlo sul minimo.
3. Regolare il volume sul dispositivo audio collegato quasi sul massimo. Riprodurre della musica da una sorgente audio a scelta e alzare lentamente il volume del monitor MediaOne BT a un livello di ascolto piacevole.



Specifiche

Altoparlanti a bassa frequenza

- BT3 woofer da 3" (76,2 mm), cono in polipropilene
- BT4 woofer da 4" (101,6 mm), cono in polipropilene
- BT5 woofer da 5.25" (127 mm), cono in polipropilene

Altoparlante ad alta frequenza tweeter con cupola in seta da 1" (25.4 mm)

Risposta in frequenza

- BT3 80Hz - 27kHz
- BT4 45Hz - 27kHz
- BT5 40Hz - 27kHz

Potenza amplificatore

- BT3 2 x 15 watts (RMS) / 2 x 30 watts (Picchi)
- BT4 2 x 20 watts (RMS) / 2 x 40 watts (Picchi)
- BT5 2 x 20 watts (RMS) / 2 x 40 watts (Picchi)

Connettori di ingresso RCA (pannello posteriore), 3,5 mm (pannello anteriore), livello di linea -10dBV sbilanciato

Cuffieuscita. stereo da $1/8$ " (31,75 mm)

Comandi. dispositivo di regolazione del volume, pulsante di accoppiamento *Bluetooth*

Audio wireless *Bluetooth* (A2DP)

Spie. due colori - verde (alimentazione), blu (*Bluetooth*)

Cassa MDF con rivestimento in vinile ruvido

Fuse

- BT3
 - 100V-127V T1AL 250V Slow Blow
 - 220V-240V T800mAL 250V Slow Blow

- BT4
 - 100V-127V T1.6AL 250V Slow Blow
 - 220V-240V T800mAL 250V Slow Blow

- BT5
 - 100V-127V T1.6AL 250V Slow Blow
 - 220V-240V T800mAL 250V Slow Blow

Dimensioni (Lungh.xLargh.xH)

- BT3 5,5" x 6,6" x 7,8" (140 mm x 167 mm x 199 mm)
- BT4 6,6" x 7,9" x 9" (169 mm x 200 mm x 231 mm)
- BT5 8" x 9" x 11" (205 mm x 229 mm x 282 mm)

Peso

- BT3 10,56 lb / 4,8 kg (coppia)
- BT4 16 lb / 7,3 kg (coppia)
- BT5 21,12 lb / 9,6 kg (coppia)

Le specifiche sono soggette a modifiche senza preavviso.

Samson Technologies Corp.
45 Gilpin Avenue
Hauppauge, New York 11788-8816
Phone: 1-800-3-SAMSON (1-800-372-6766)
Fax: 631-784-2201
www.samsontech.com

Free Manuals Download Website

<http://myh66.com>

<http://usermanuals.us>

<http://www.somanuals.com>

<http://www.4manuals.cc>

<http://www.manual-lib.com>

<http://www.404manual.com>

<http://www.luxmanual.com>

<http://aubethermostatmanual.com>

Golf course search by state

<http://golfingnear.com>

Email search by domain

<http://emailbydomain.com>

Auto manuals search

<http://auto.somanuals.com>

TV manuals search

<http://tv.somanuals.com>