

QMIC HYPERCARDIOID MICROPHONE

SAMSON AUDIO

The Samson QMIC is a new professional dynamic mic specially designed for use as a vocal mic in live performance. Manufactured with the highest quality components, the QMIC's distinctive multi-stage wind-screen and filter reduces pops, sibilance and on-stage noise, and a midrange presence peak ensures an exceptionally clear, articulate sound. The QMIC also features a humbucking voice coil to eliminate magnetic field interference and a multi-axis shock-mounted mic element that reduces handling noise. Its tight hypercardioid pattern ensures maximum feedback rejection while delivering a strong, crisp signal from the audio source directly in front of the mic capsule. The QMIC is also particularly well-suited for use with Samson wireless systems.



- Full range frequency response with a midrange "presence" peak at 2 kHz for optimum reproduction of vocals and exceptionally clear, crisp sound.
- Tight hypercardioid polar pattern minimizes feedback problems.
- Lightweight aluminum humbucking voice coil eliminates magnetic field interference and provides true hum rejection at the source.
- High energy rare earth Neodymium element delivers high output.
- Vertical porting removes standing wave distortion.
- Mic element enclosed in multi-axis shock-mount, enabling 360° X-Y axis movement and reduction of handling noise.
- Gold-plated XLR connector.
- Triple-plated multi-stage windscreen and noise filter for the removal of pops, sibilance and onstage noise.
- Silicon "anti-dent" ring protects windscreen.
- Neoprene transformer cover reduces microphonics.
- Rugged, die-cast zinc casing.
- Foam-lined carrying case and mic-clip included.

Contact:

ARCHITECT'S & ENGINEER'S SPECIFICATION

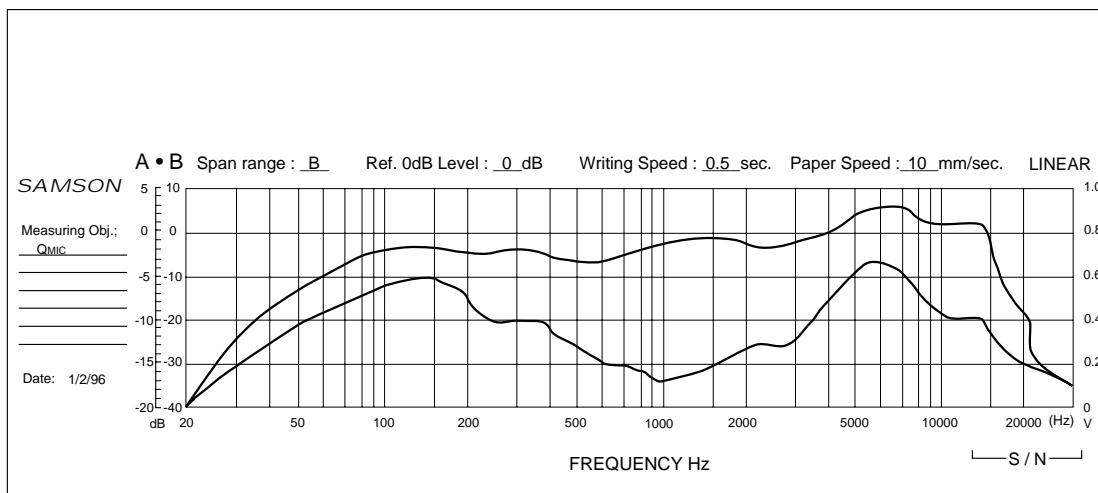
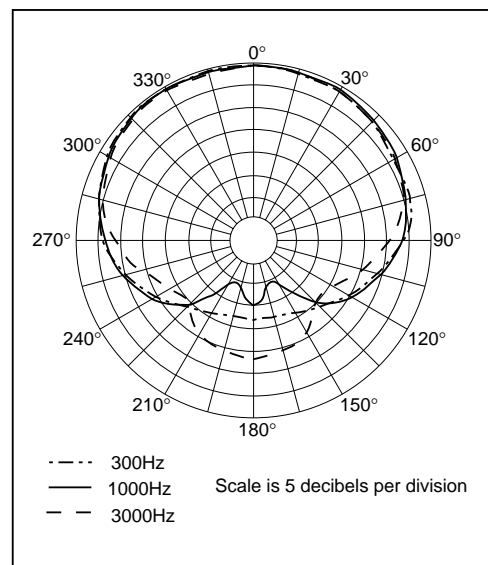
The microphone shall be of a dynamic type with hypercardioid polar pattern. The microphone shall provide its output on a gold-plated male XLR-type connector. Output impedance shall be 150 ohms.

The microphone shall be constructed of a zinc casing and shall contain a triple-plated multi-stage windscreen and noise filter for the removal of pops, sibilance and onstage noise, an aluminum humbucking voice coil for the elimination of magnetic field interference and true hum rejection, a Neoprene transformer cover for the reduction of microphonics, a high-output Neodymium element, and a multi-axis shock-mount to minimize handling noise. The microphone shall have frequency response from 20 Hz to 18.5 kHz, sensitivity of -47 dBV at 94 dB SPL, and a maximum SPL of 137 dB. Dimensions shall be 2.25" (57 mm) head length, 4.5" (114.2 mm) main unit length and 6.75" (172 mm) total length. Weight shall be 8.7 oz. (250 g). The microphone shall carry a three-year warranty.

The microphone shall be a SAMSON QMIC.

QMIC SPECIFICATIONS

Type:	Dynamic
Polar pattern:	Hypercardioid
Frequency response:	20 Hz - 18.5 kHz
Sensitivity:	-47 dBV @ 94 dB SPL
Max.SPL:	137 dB
Output impedance (@ 1 kHz):	150 Ω
Connector:	3-pin gold-plated balanced XLR male
Dimensions	
Head length:	2.25" • 57 mm
Main unit length:	4.5" • 114.2 mm
Total length:	6.75" • 172 mm
Weight:	8.7 oz. / 250 g



Free Manuals Download Website

<http://myh66.com>

<http://usermanuals.us>

<http://www.somanuals.com>

<http://www.4manuals.cc>

<http://www.manual-lib.com>

<http://www.404manual.com>

<http://www.luxmanual.com>

<http://aubethermostatmanual.com>

Golf course search by state

<http://golfingnear.com>

Email search by domain

<http://emailbydomain.com>

Auto manuals search

<http://auto.somanuals.com>

TV manuals search

<http://tv.somanuals.com>