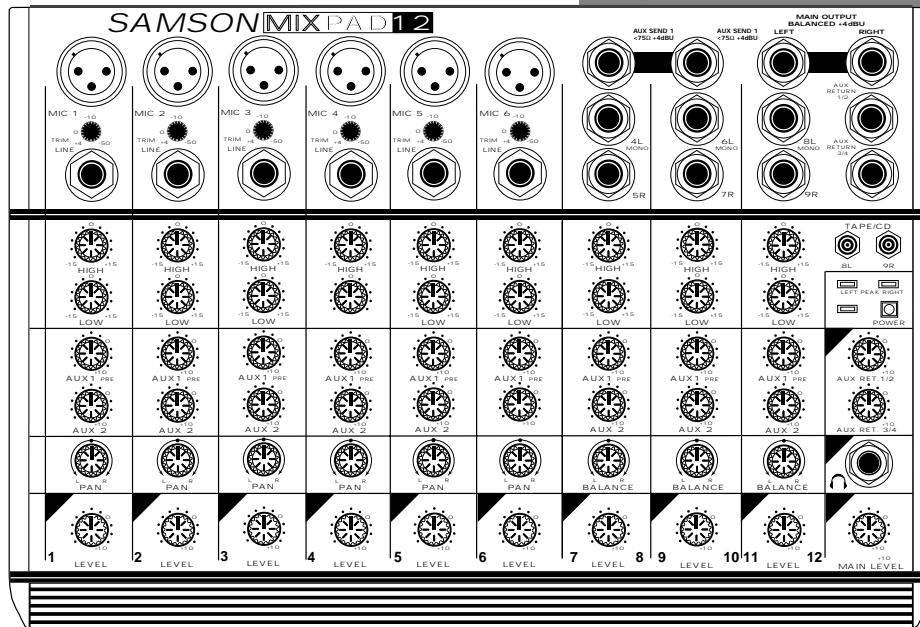


MIXPAD 12 COMPACT MIXER

SAMSON AUDIO



The ultra-compact MIXPAD 12 Mixer provides a 12-input stereo mic/line mixer in a very small package. Equipped with 2-band equalization and pan/balance and level controls on each channel, the MIXPAD 12 is an ideal device for ENG, field recording, broadcast and contracting applications. It also features optional battery power, a front-panel stereo headphone jack, 6 electronically balanced mic/line inputs (XLR and 1/4" connectors), 3 stereo line inputs (1/4" connectors), a CD/tape input (phono connectors), 48 volt phantom power, 2 Aux sends and 2 stereo Aux returns (which have independent level controls, allowing for use as 4 mono Aux returns), as well as a main level control and power and peak LEDs.

Contact:

- 12-channel stereo ultra-compact mixer.
- 6 balanced monophonic mic/line channels and 3 additional stereo channels.
- Independent CD/tape input; signal is routed via channel EQ.
- Trim controls on mic input channels.
- 48 volt phantom power for mic input connectors.
- 2-band equalization on all channels.
- Constant level stereo panpot on each monophonic channel.
- Left/right balance control on each stereo channel.
- 2 Aux sends (one pre-fade and one post-fade) on each channel.
- 2 stereo Aux returns with front panel level controls.
- Front-panel stereo headphone output.
- Master peak and power LEDs.
- 2 balanced main outs.
- Optional battery power for convenience in ENG, field broadcast and recording applications.

ARCHITECT'S & ENGINEER'S SPECIFICATION

MIXPAD 12 SPECIFICATIONS

The mixer shall be 12 in/2 out and shall incorporate 6 monophonic and 3 stereo line input channels, including 6 microphone channels. Microphone inputs shall be on XLR-type connectors, monophonic line inputs shall be on balanced 1/4" Tip-Ring-Sleeve phone connectors, and stereo line inputs shall be on 1/4" phone connectors. An independent stereo line-level CD/tape input (routed to channels 11-12) shall be on phono connectors. Each channel shall have 2 Aux sends, 2-band equalization and a level control. In addition, monophonic channels shall have a stereo panpot and stereo channels shall have a left/right balance control. Microphone inputs (on channels 1-6) shall have an input trim control.

The mixer shall provide main outputs on balanced 1/4" Tip-Ring-Sleeve phone connectors, effects outputs on 1/4" phone connectors, and a headphone output on a 1/4" Tip-Ring-Sleeve phone connector. 2 stereo effects returns shall be provided on 1/4" phone connectors, and each shall have an independent level control. The mixer shall be powered either from provided mains adapter or from optional battery pack. The unit shall be of an ultra-compact type.

The mixer shall have residual noise of 95 dB, THD less than 0.01%, and frequency response of ± 3 dB from 10 Hz to 50 kHz. Dimensions shall be 12.8" (324 mm) wide, 9" (228 mm) deep and 2.3" (58 mm) high. Weight shall be 6.5 lb. (2.9 kg). The mixer shall carry a three-year warranty.

The mixer shall be a SAMSON MIXPAD 12.

CHANNEL SECTION

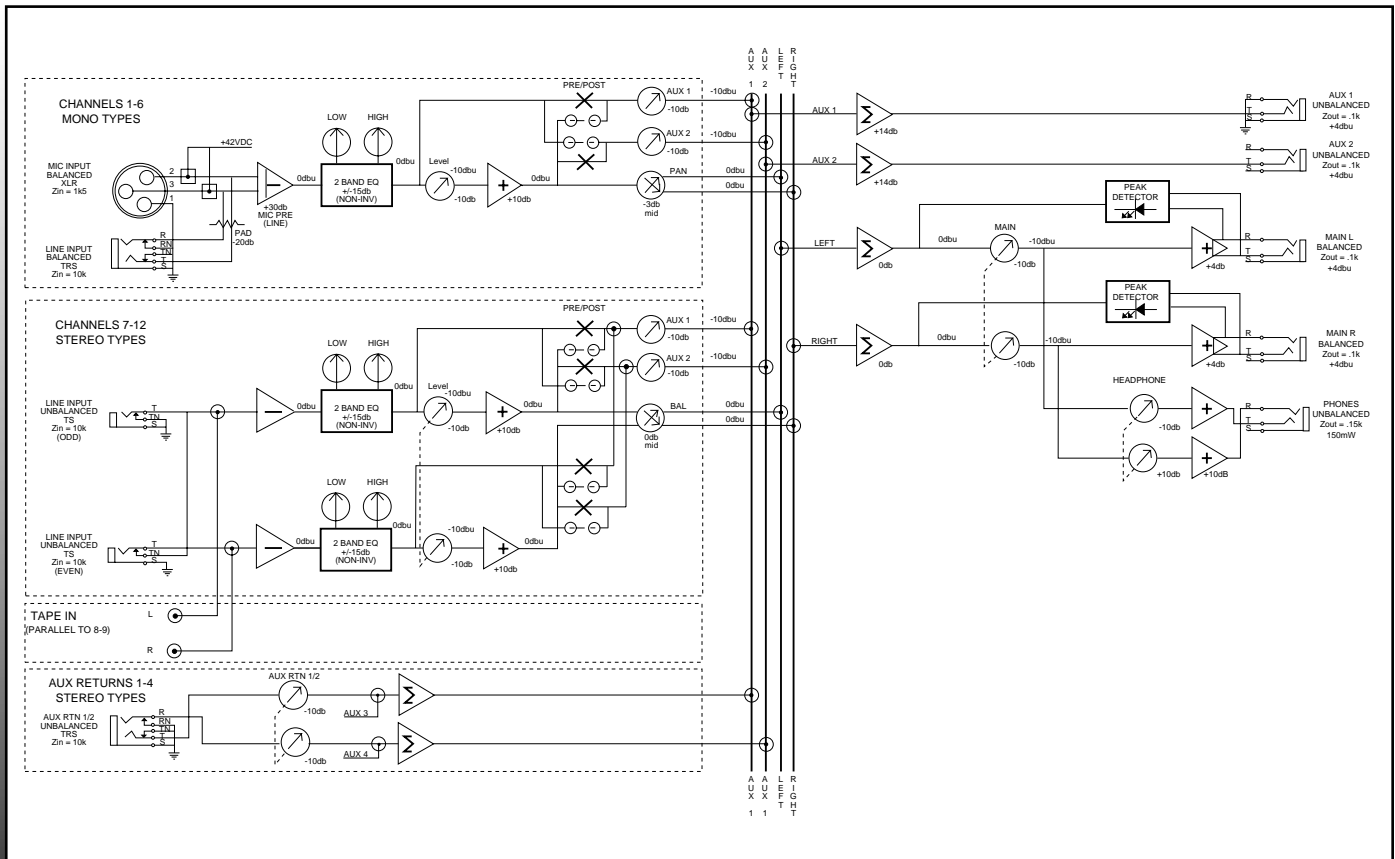
Total harmonic distortion (with 30 kHz LPF):	< 0.01%
Residual noise (with 30 kHz LPF, VR min):	
L/R main:	95 dB
Aux send 1/2	85 dB
Frequency response (± 3 dB):	10 Hz to 50 kHz
Maximum voltage gain:	
Mic to main:	74 dB
Line to main (mono ch):	54 dB
Line/Tape to main (stereo ch):	34 dB
Aux return to main:	20 dB
Crosstalk (1 kHz):	
Channel vs. channel:	70 dB
Input vs. output:	75 dB
EIN ("A" filter on, input shorted):	
Mic:	-128 dB
Line:	-111 dB
Maximum input level (1 kHz, ± 3 dB):	
Mic input (mono ch):	+22 dBu
Line input (stereo ch):	+7 dBu
Headphone output level (600 Ω loaded):	100 mW
Peak LED sensitivity (before clipping):	3 dB \pm 2 dB

EQUALIZATION

10 kHz High (shelving):	± 15 dB
100 Hz Low (shelving):	± 15 dB

GENERAL

Dimensions:	324 mm (w) x 228 mm (d) x 58 mm (h) 12.8" (w) x 9" (d) x 2.3" (h)
Weight:	6.5 lb. / 2.9 kg.



Free Manuals Download Website

<http://myh66.com>

<http://usermanuals.us>

<http://www.somanuals.com>

<http://www.4manuals.cc>

<http://www.manual-lib.com>

<http://www.404manual.com>

<http://www.luxmanual.com>

<http://aubethermostatmanual.com>

Golf course search by state

<http://golfingnear.com>

Email search by domain

<http://emailbydomain.com>

Auto manuals search

<http://auto.somanuals.com>

TV manuals search

<http://tv.somanuals.com>