

PRODUCT

ZM125

DESCRIPTION

ZONE MIXER

SERIES

ZONE MIXER/AMPLIFIER

CATEGORY

MIXERS**GENERAL DESCRIPTION**

The ZM125 mixer provides an ideal solution for small to medium size commercial sound system installations. The ZM125 features a built-in constant voltage power amplifier capable of running at 25, 70 or 100 volts, or at 4 ohms.

The ZM125 provides 125 watts of clean power. Six input channels with individual level controls are provided, so connecting sound sources is simple thanks to the available XLR, 1/4-inch and RCA connectors. In addition, the ZM125 features five selectable speaker zone outputs.

The ZM125 is ideal for distributing music and announcements throughout different rooms and the dedicated paging microphone input allows you to setup a distant paging station (for a hostess in the restaurant, for example). There's even an on-board chime with four selectable tones to alert the listeners of an upcoming page.

For businesses that want to improve their customers' telephone experience, a MOH (Music On Hold) facility is also included. When interfaced with a business telecom system, music or valuable pre-recorded announcements are heard while customers are on hold.

To control the overall tonal response of the sound system, the ZM125 employs a seven-band graphic equalizer. A master level control and five-segment level meters allow you to set a clean signal at the correct volume. For added flexibility you can add the optional Samson TCM-3 sound module with FM tuner and CD player that can play MP3 recordings.

The ZM125 can stand table-top or be mounted in a standard 19-inch equipment rack using the included rackmount ears. The sleek black finish matches just about any décor, plus the steel chassis adds to its durability and reliability. Perfect for schools, restaurants, office buildings, small factories, or just about any place high quality, distributed audio is needed, the ZM125 offers excellent sound and great value.

FEATURES

- > Six mic/line inputs on 1/4-inch XLR and RCA connectors
- > 125 watt power amplifier
- > A built-in seven-band graphic equalizer
- > Intelligent, three layer priority muting system
- > Remote microphone connection
- > Built-in announcement chime with four selectable tones
- > M.O.H. (Music On Hold) input and output
- > Telephone paging input on a Euroblock terminal allows you to interface your PBX system for handset paging
- > Phantom power on Mic channels 1 and 2
- > Advanced amplifier protection
- > LINK and preamp terminals
- > Table-top or standard 19-inch rackmount installation
- > Expansion bay for optional TCM-3 music source module
- > Extended three-year warranty



PRODUCT SPECIFICATION SHEET

SERIES
ZONE AMPLIFIER

DESCRIPTION
ZONE MIXER/AMPLIFIER

CATEGORY
ZONE MIXER

ZM125

ARCHITECT'S & ENGINEER'S SPECIFICATIONS

The Samson ZM125 shall be a 2 space rackmount or table-top zone mixer. It shall deliver 125 watts into 4 ohms or it shall be used for 25, 70, or 100 volt operation utilizing internal output transformers. It shall have XLR balanced inputs ch 1,2,3 and 4, 1/4" and RCA on 5 and 6 all with rear panel gain controls. Ch 1 and 2 shall have phantom power and priority switching. It shall have a remote mic input with gain control and be on a Euroblock connector. It shall have an announcement chime with gain control. The ZM125 shall have music on hold with gain control for an internal (with optional music module) or external music source on Euroblock connector. It shall have a telephone/paging output on Euroblock connectors. It shall have a 4 ohm output on a Euroblock connector and have 25V, 70V, and 100V taps for constant voltage intergration. The ZM125 shall have front panel controls for input level on ch 1 through 6, master level, chime, output selection 1 through 5 or all, and 7 bands of equalization. It shall have a front panel power switch with power LED. It shall have 6 LED indicators for -20dB, -10, -4, 0, +3 and protect, on the front panel. The XM125 shall get its power from standard IEC power cable for 115 volt operation. The ZM125 shall carry a 3 year extended warranty.

XM125 SPECIFICATIONS

Input Sensitivity

Balanced Mic Channels.....	-50dBV ± 3dB
Balanced Line Channels.....	-22dBV ± 3dB
Balanced Remote Mic Station.....	-50dBV ± 3dB
Balanced Telephone Paging.....	-21dBV ± 3dB
Unbalanced Link-In.....	-17dBV ± 3dB
Unbalanced Amp-In.....	0dBV ± 3dB

Frequency Response

at 1 watt from speaker out tap 100Hz~10kHz.....+1.5dB / -3dB

Graphic Equalizer

125Hz, 250Hz, 500Hz, 1kHz, 2kHz, 4kHz, 8kHz.....±12dB

Amplifier

S/N Ratio at rated power.....	Better than 90dB
Crosstalk at all controls maximum.....	-70dB at 1kHz
Rated output power at THD 0.36%.....	120 Watts
THD at 1kHz rated power.....	less than .5%
Power Bandwidth from speaker tap....	80Hz~15kHz with <0.5%THD
DC output Offset.....	Less than ±3mV
Operation Temp/Humidity at non-condensing..	34°~104°F (0°~40°C) at 95% Humidity

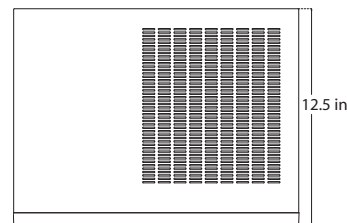
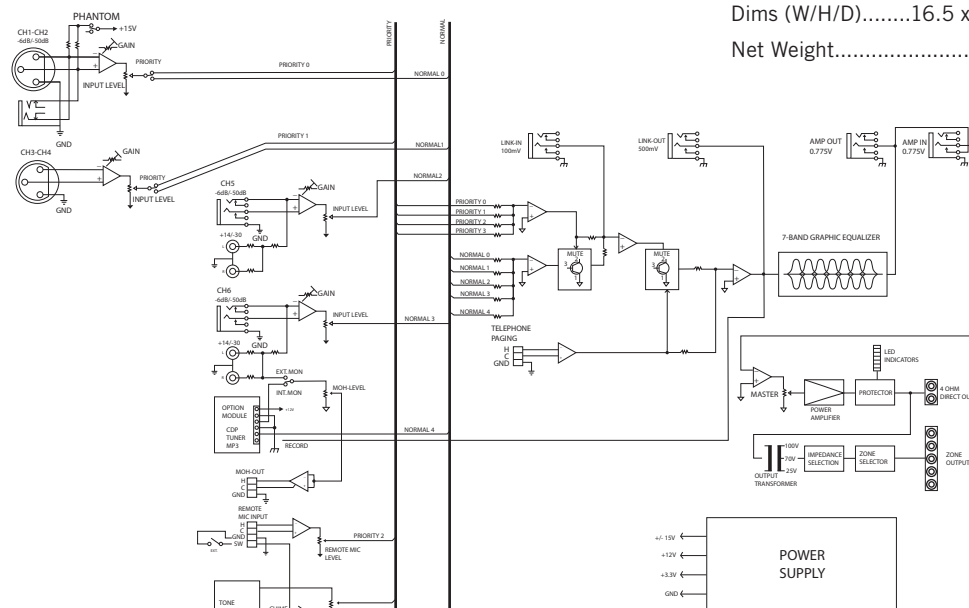
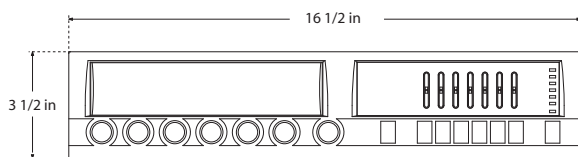
Phantom Power.....15VDC

Output Voltage and Impedance

4ohms.....	22V
25V.....	5.2ohms
70V.....	41ohms
100V.....	83ohms

Construction

Cooling.....	Convection Cooled
Dims (W/H/D).....	16.5 x 3.5 x 13.5 / 420mm x 88mm x 343mm
Net Weight.....	21.5lbs. (9.76kg)



Free Manuals Download Website

<http://myh66.com>

<http://usermanuals.us>

<http://www.somanuals.com>

<http://www.4manuals.cc>

<http://www.manual-lib.com>

<http://www.404manual.com>

<http://www.luxmanual.com>

<http://aubethermostatmanual.com>

Golf course search by state

<http://golfingnear.com>

Email search by domain

<http://emailbydomain.com>

Auto manuals search

<http://auto.somanuals.com>

TV manuals search

<http://tv.somanuals.com>