

## PRODUCT

**STUDIODOCK 4i**

## DESCRIPTION

**TWO-WAY ACTIVE USB MONITORS**

## SERIES

**STUDIODOCK**

## CATEGORY

**MONITORS****GENERAL DESCRIPTION**

StudioDock is a two-way active USB studio reference monitor with an iPod dock. With these revolutionary monitors, a user can stream digital audio via USB directly to the monitors, offering high-resolution audio with no buzz, hiss or crackle. Because the music stays digital, StudioDock produces extremely high-quality sound for clear sweet highs and robust lows. The monitors also provide an integrated iPod dock so you can dock, sync, play and charge your iPod from one convenient, incredible sounding set of desktop speakers.

StudioDock 4i offers the same great monitoring performance found in recording studios all over the world, thanks to the use of premium internal components and a critically damped, vented cabinet design. Constructed of laminated Medium Density Fiberboard (MDF), this cabinet provides maximum low frequency output with low coloration. In addition to the functional aspects of this design, StudioDock offers a cool aesthetic complement to any desktop, home studio or mixing room.

The 4i features a 4.25-inch inverted dust-cap, copolymer woofer with a Santoprene surround for high excursion and high internal damping, providing uncolored music reproduction with low distortion. With this high performance, magnetically shielded woofer, the 4i also employs a precision made 25mm silk dome tweeter with a neodymium motor structure for smooth, extended high frequency response and minimal listener fatigue.

In addition, StudioDock 4i is powered by an internal 2 x 20 watt high performance, low distortion power amplifier with custom equalization. The result is a system that delivers unusually smooth and accurate frequency response and precise imaging. As an additional convenience, StudioDock 4i also provides a front panel 3.5mm stereo aux input jack, headphone output jack and volume control.

**FEATURES**

- > Integrated iPod® dock
- > USB input to stream digital audio from your computer
- > 4.25-inch polypropylene woofer with Santoprene® surround
- > 25mm silk dome high frequency driver
- > Bass reflex vented cabinet design
- > 2 x 20 watts of internal power
- > Front panel 3.5mm stereo aux input jack, headphone output jack and volume control
- > Convenient rear panel RCA inputs
- > Passive crossovers utilizing multi-pole design
- > USB and speaker cables included

**PRODUCT SPECIFICATION SHEET**

# STUDIODOCK 4i

SERIES  
**STUDIODOCK**

DESCRIPTION  
**TWO-WAY ACTIVE STUDIO MONITORS**

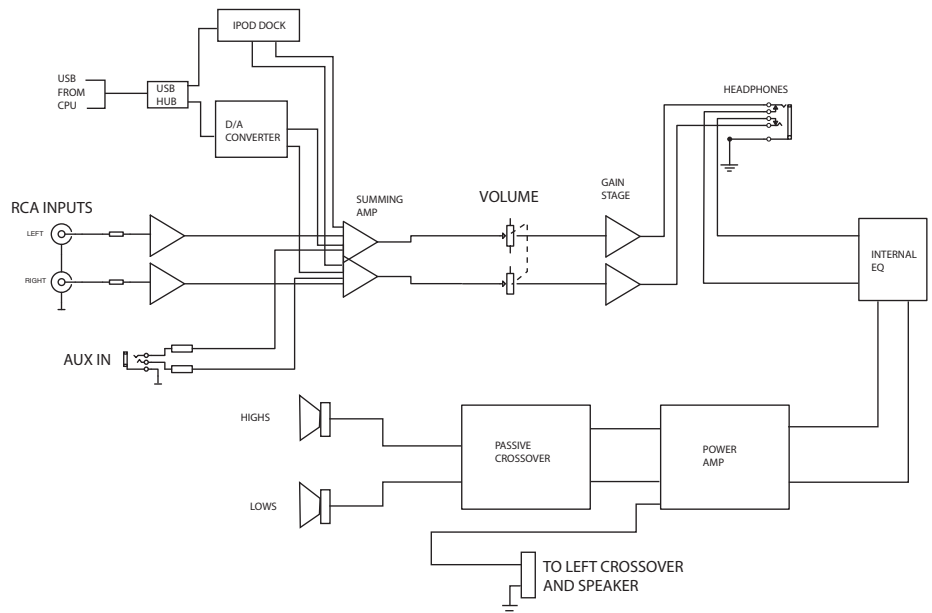
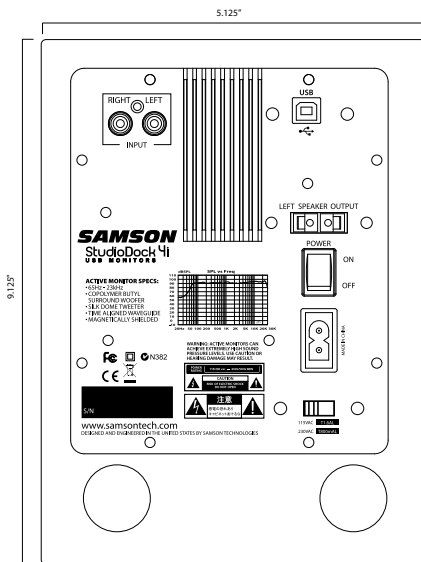
CATEGORY  
**MONITORS**

**ARCHITECT'S & ENGINEER'S SPECIFICATIONS**

The StudioDock active studio monitors from Samson come in 2 models, the 3i and 4i. The StudioDock 3i shall have an internal stereo 15 watt amplifier. The 4i has a stereo 20 watt amplifier. Both models shall have a front panel with power LED indicators, volume control, stereo aux input, and headphone output on 1/8th inch jack. Both models use a 1.25 inch silk dome tweeter. The 3i, and 4i shall use a custom designed copolymer 3.25-inch, and 4.25-inch woofer respectively. Both models shall have iPod docks on top and rear panel USB I/O for sync to computer, charging of the iPod, and playing iPod audio from the iPod dock. Both models shall use multi-pole passive crossover designs. The rear panels shall have rear tuned ports for balanced low frequency response, power on/off switches, RCA inputs, USB computer interface, passive left speaker outputs, and power AC input. Both models shall be AV shielded for multimedia use. Both models shall be covered in a black satin vinyl finish. 18 gauge speaker wires and USB cable shall be included.

**STUDIODOCK 4i SPECIFICATIONS**

<b>Frequency Response</b> .....	65 Hz - 23 kHz
<b>Amplifier Power Rating</b> .....	2 x 20 watts RMS
<b>Crossover Frequency</b> .....	HPF: 4 kHz, 6 dB/oct Butterworth, PTC Protected; LPF: 1400 kHz, 12 dB/oct Linkwitz-Riley
<b>Inputs</b> .....	Unbalanced: -10 dBv line level Connectors: RCA (rear panel), 3.5mm (front panel) USB: USB 2.0 connection iPod Sync: Hi-speed USB Audio: Full speed Connector: B type DAC (internal): 16-bit delta sigma, 44.1 kHz or 48 kHz
<b>Enclosure</b> .....	Construction: MDF Finish: Black textured vinyl covering
<b>Dimensions</b> .....	Active: 6.625" (w) x 9" (d) x 9.125" (h) 168mm x 229mm x 232mm Passive: 6.625" (w) x 7.625" (d) x 9.125" (h) 168mm x 194mm x 232mm
<b>Weight</b> .....	Active: 9.5 lbs • 4.3 kg Passive: 6.5 lbs • 3 kg



## Free Manuals Download Website

<http://myh66.com>

<http://usermanuals.us>

<http://www.somanuals.com>

<http://www.4manuals.cc>

<http://www.manual-lib.com>

<http://www.404manual.com>

<http://www.luxmanual.com>

<http://aubethermostatmanual.com>

Golf course search by state

<http://golfingnear.com>

Email search by domain

<http://emailbydomain.com>

Auto manuals search

<http://auto.somanuals.com>

TV manuals search

<http://tv.somanuals.com>