

# AirLine 77

## OWNERS MANUAL

### UHF WIRELESS SYSTEM

- AL1 Presentation Transmitter
- AX1 Handheld Transmitter
- CR77 Receiver

**SAMSON**  
WIRELESS



PRESENTATION  
TRANSMITTER



HANDHELD TRANSMITTER

# Table of Contents

|   |    |   |    |
|---|----|---|----|
| <b>ENGLISH</b>                                    |    | <b>DEUTSCHE</b>                                   |    |
| Introduction                                      | 3  | Einleitung  | 39 |
| QuickStart  | 4  | Schneller Einstieg                                | 40 |
| Guided Tour - CR77 Receiver                       | 6  | Übersicht - Empfänger CR77                        | 42 |
| Guided Tour - UM1 Receiver                        | 9  | Übersicht - Empfänger UM1                         | 45 |
| Guided Tour - AX1 Handheld Transmitter            | 12 | Übersicht - Hand-Sender AX1                       | 48 |
| Guided Tour - AL1 Presentation Transmitter        | 14 | Übersicht - Presentation-Sender AL1               | 50 |
| Setting Up and Using Your AirLine System          | 17 | Konfiguration und Betrieb der AirLine-Systeme     | 53 |
| Specifications                                    | 75 | Technische Daten                                  | 75 |
| Appendix A: Channel Plan                          | 77 | Anhang A: Frequenzzuordnung der Empfangskanäle    | 77 |
| Appendix B: Attaching The Lanyard to the AL1      | 78 | Anhang B: Attaching The Lanyard to the AL1        | 78 |
| <b>FRANCAIS</b>                                   |    | <b>ESPAÑOL</b>                                    |    |
| Introduction                                      | 21 | Introducción                                      | 57 |
| Prise en main                                     | 22 | Arranque rápido                                   | 58 |
| Visite guidée – Récepteur CR77                    | 24 | Recorrido guiado – Receptor CR77                  | 60 |
| Visite guidée – Récepteur UM1                     | 27 | Recorrido guiado – Receptor UM1                   | 63 |
| Visite guidée – Emetteur main AX1                 | 30 | Recorrido guiado – Transmisor manual AX1          | 66 |
| Visite guidée – Emetteur de presentation AL1      | 32 | Recorrido guiado – Transmisor de presentation AL1 | 68 |
| Configuration et utilisation des systèmes AirLine | 35 | Ajuste y uso de su sistema AirLine                | 71 |
| Spécifications                                    | 75 | Especificaciones                                  | 75 |
| Appendix A: Tableau de conversion de fréquence    | 77 | Apéndice A: Tabla de conversión de frecuencias    | 77 |
| Appendix B: Attaching The Lanyard to the AL1      | 78 | Apéndice B: Attaching The Lanyard to the AL1      | 78 |

Copyright 2005, Samson Technologies Corp.  
Printed March 2005 v4.3

Samson Technologies Corp.

Phone: 1-800-3-SAMSON (1-800-372-6766)  
Fax: 516-364-3888

Welcome to Samson AirLine—the wireless system for the new millenium! Wireless microphone and instrument systems were originally developed to eliminate cables, providing unparalleled freedom of movement. AirLine takes this concept to a new level with transmitters so small, lightweight and aerodynamic, they are nearly invisible, providing a completely “hassle-free” user experience. To create the world’s smallest wireless transmitters, we developed new proprietary technology. Featuring miniaturized circuitry and the ability to operate on a single tiny AAA battery (with 14 hours typical battery life), these transmitters also feature significantly improved wireless reception and sound quality.

There are two different Samson AirLine systems detailed in this manual. Both operate in the 801 - 805 MHz UHF frequency range and each contains a CR77 receiver or a UM1 micro diversity receiver (optimized for the production of professional audio tracks to accompany your video shoot or live broadcast). The AirLine UHF Microphone System contains an AX1 hand-held transmitter, which plugs into any standard wired dynamic microphone. The AirLine UHF Presentation System contains an AL1 presentation transmitter, which contains a built-in electret condenser microphone and connection for an optional lavalier microphone.

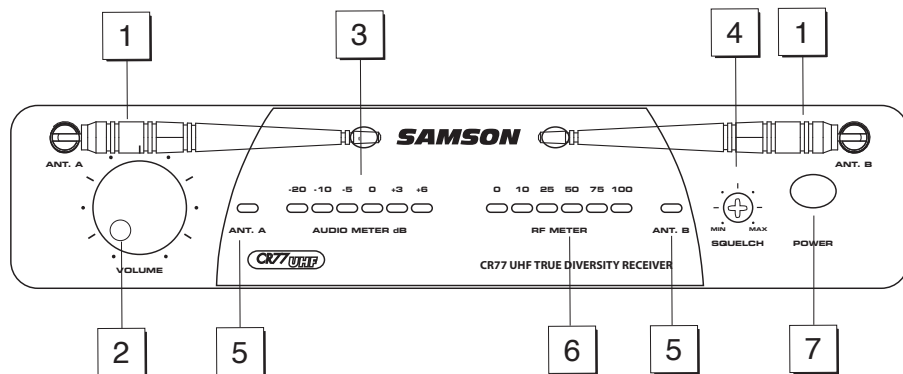
In this manual, you’ll find a more detailed description of the features of all AirLine systems, as well as a guided tour through all components, step-by-step instructions for setting up your system and full specifications. If your AirLine system was purchased in the United States, you’ll also find a warranty card enclosed—don’t forget to fill it out and mail it! This will enable you to receive online technical support and will allow us to send you updated information about this and other Samson products in the future. If your AirLine system was purchased outside of the U. S., contact your local distributor for warranty details. Also, be sure to check out our website (<http://www.samsontech.com>) for complete information about our full product line.

**SPECIAL NOTE** for U.S. purchasers: Should your AirLine system ever require servicing, a **Return Authorization** number (RA) is necessary. Without this number, the unit will not be accepted. If your AirLine system was purchased in the United States, please call Samson at 1-800-372-6766 for a Return Authorization number prior to shipping your system. If possible, return the unit in its original carton and packing materials. If your AirLine system was purchased outside of the U. S., contact your local distributor for information.

If you've had some prior experience using wireless systems, these QuickStart instructions will get you up and running with your AirLine system in a matter of minutes! Detailed instructions for setting up and using your AirLine system can be found on page 17 of this manual, and the "Guided Tour" sections on pages 6 - 16 provide full descriptions of all AirLine component controls and displays.

1. Make sure that the supplied receiver and AX1 or AL1 transmitter are factory preset to the same channel.
2. Physically place the receiver where it will be used and extend its antenna(s) vertically.
3. Set the power switch to your transmitter to the "off" position (away from the arrow) and place a fresh battery in it. Then turn the transmitter back on momentarily; its LED will flash once and then go off if the battery is sufficiently strong. Once battery strength is verified, turn the transmitter off.
4. If you are using an AX1, plug its XLR connector into a wired dynamic microphone; make a good tight connection, using the supplied rubber gasket if necessary. If you are using the AL1 with an external lavalier microphone, make the physical connection between its input connector and the microphone.
5. Turn your audio system off and make the physical cable connection between the receiver's balanced or unbalanced output jack (if necessary, both can be used simultaneously) and a mic level audio input of your amplifier or mixer. If your system contains a CR77 or UM1 receiver, be sure to set its Audio Output Level switch correctly.
6. Turn the Volume, Level or AF Level knob on the receiver completely counterclockwise. Connect the supplied AC adapter to the receiver and plug it in (or place a fresh battery in the UM1 receiver), but leave its power off for the moment.
7. Turn on the receiver. If your system contains a CR77 receiver, its "Power" LED will light steadily red. (Note: the UM1 receiver has no such LED.)

8. Turn on your transmitter. If your system contains either a CR77 or UM1 receiver, one of the "A/B Receiver" LEDs will be lit, showing you whether the (left) "A" or (right) "B" receiver is currently being used. The CR77 / UM1 meter will also indicate the strength of the incoming RF signal.
9. Turn on your connected amplifier and/or mixer but keep its volume all the way down. If your system contains an AL1 transmitter, make sure it is unmuted. Set the Volume, Level or AF Level knob on the receiver fully clockwise; this is unity gain.
10. Speak or sing into your mic at a normal performance level while slowly raising the audio input control of your amplifier or mixer until the desired level is reached. If necessary, use the supplied plastic screwdriver to adjust the transmitter's Gain trimpot in order to increase or decrease its signal level. If you are using an AL1 transmitter with the built-in microphone, correct placement is critical to sound quality. It should be unobstructed by clothing and either clipped to a shirt pocket or lapel, or worn around the neck on the supplied lanyard.
11. Do a walkaround through the intended area of coverage while observing the receiver's "Power/RF" LED or RF Meter; it should indicate sufficient RF reception in all areas of coverage. Reposition it (or its antenna) as necessary. If extended range coverage is required, a Samson CR77 or UM1 true diversity receiver (set to the same channel as the transmitter) should be used
12. If you hear any spurious noise from the receiver output when the transmitter is turned off, use the supplied plastic screwdriver to adjust the receiver Squelch level control, slowly turning it clockwise to the point at which the noise disappears.



**1: Antennas (A and B)** - The antenna mountings allow full rotation for optimum placement. In normal operation, both Antenna A (the antenna on the left) and Antenna B (the antenna on the right) should be placed in a vertical position. Both antennas can be folded inward for convenience when transporting the CR77. See the "Setting Up and Using the AirLine System" section on page 17 in this manual for information about antenna installation and positioning.

**2: Volume control** - This knob sets the level of the audio signal being output through both the balanced and unbalanced output jacks on the rear panel (see #2 and #4 on page 8 in this manual). Reference level is obtained when the knob is turned fully clockwise (to its "10" setting).

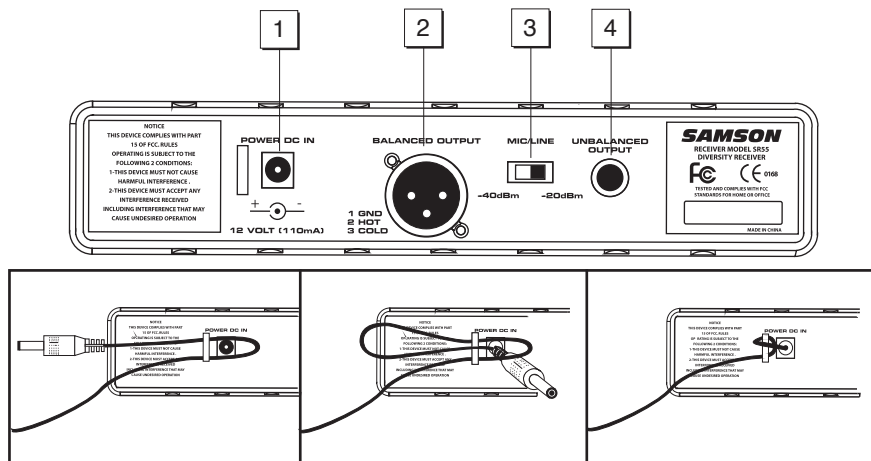
**3: Audio Meter** - This "ladder" display (similar to the VU bar meter used on audio devices) indicates the strength of the incoming audio signal. When the "0" segment is lit, the incoming signal is optimized at unity gain; when the "+6" segment is lit, the signal is overloading. When only the left-most "-20" segment is lit, the incoming signal is at just 10% of optimum strength. If no segments are lit, little or no signal is being received. See the "Setting Up and the AirLine System" section on page 16 in this manual for more information.

**4: Squelch control** - This control determines the maximum range of the CR77 before audio signal dropout. Although it can be adjusted using the supplied plastic screwdriver, it should normally be left at its factory setting. See the "Setting Up and Using the AirLine System" section on page 17 in this manual for more information.

**5: A/B Receiver LEDs** - When signal is being received, one of these will be lit green, showing you whether the (left) "A" or (right) "B" receiver is currently being used. The CR77 constantly scans its two antennas and automatically selects whichever is receiving the strongest, clearest signal. This **True Diversity** switching is completely inaudible, but it effectively increases overall range while virtually eliminating potential interference and phase cancellation problems.

**6: RF (Radio Frequency) Level meter** - This "ladder" display (similar to the VU bar meter used on audio devices) indicates the strength of the incoming radio signal. When the "100%" segment is lit, the incoming RF signal is fully modulated and at optimum strength. When only the second most left-most "10%" segment is lit, the incoming signal is at just 10% of optimum strength. If no segments are lit, little or no signal is being received. See the "Setting Up and Using the AirLine System" section on page 17 in this manual for more information.

**8: Power switch** - Use this to turn the CR77 power on and off. When the receiver is on, the internal Power LED is lit.



Using the strain relief: Gather up a loop of wire and pass it through the strain relief, then pass the adapter plug through the loop in order to create a knot.

electronically balanced low impedance (600 Ohm) XLR jack when connecting the CR77 to professional (+4) audio equipment. Pin wiring is as follows: Pin 1 ground, Pin 2 high (hot), and Pin 3 low (cold).

\* If required, both the unbalanced and balanced outputs can be used simultaneously.

**1: DC input** - Connect the supplied 12 volt 160 mA power adapter here, using the strain relief as shown in the illustration below. **WARNING:** Do **not** substitute any other kind of power adapter; doing so can cause severe damage to the CR77 and will void your warranty.

**2: Unbalanced output\*** - Use this unbalanced high impedance (5K Ohm) 1/4" jack when connecting the CR77 to consumer (-10) audio equipment. Wiring is as follows: tip hot, sleeve ground.

**3: Audio Output Level switch** - Sets the audio output level attenuation of the balanced output (see #4 below) to -20 dBm (line level) or -40 dBm (mic level). See "Setting Up and Using the AirLine System" on page 17.

**4: Balanced output\*** - Use this elec-



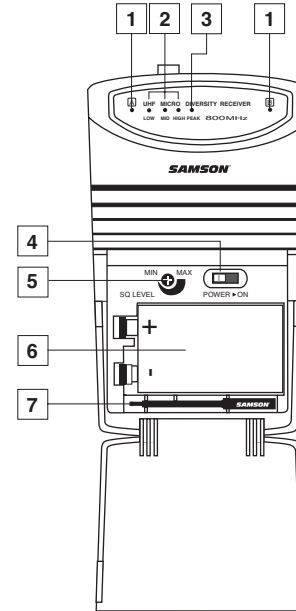
**1: A/B Receiver LEDs** - When signal is being received, one of these will be lit orange, showing you whether the (left) "A" or (right) "B" receiver is currently being used. The UM1 constantly scans its two antennas and automatically selects whichever is receiving the strongest, clearest signal. This True Diversity switching is completely inaudible, but it effectively increases overall range while virtually eliminating potential interference and phase cancellation problems.

**2: Meter** - This set of three multicolor LEDs acts as a meter, indicating either battery power or the strength of the incoming RF signal. This meter can also be disabled altogether to conserve battery power. See #15 on page 11 for more information.

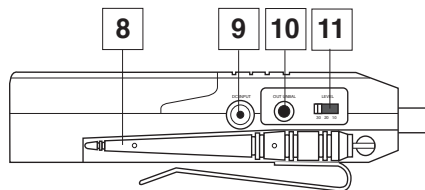
**3: Peak LED** - This LED lights red when output signal from the UM1 is at the onset of clipping (that is, when it is on the verge of being distorted). If you see this light during operation, move the microphone further away or lower the output level of your instrument or transmitter. For more information, see the section entitled "Setting Up and Using the AirLine System" on page 17 in this manual.

**4: Power switch** - Use this to turn the UM1 power on and off.

**5: SQ (Squelch) Level control** - This control determines the maximum range of the UM1 before audio signal dropout. Although it can be adjusted using the supplied plastic screwdriver, it should normally be left at its factory setting. See the "Setting Up and Using the AirLine System" section on page 17 in this manual for more information.



## Samson AirLine Guided Tour - UM1 Receiver



**6: Battery holder** - Insert a standard 9-volt alkaline battery here, being sure to observe the plus and minus polarity markings shown. We recommend the Duracell MN 1604 type battery. Although rechargeable Ni-Cad batteries can be used, they do not supply adequate current for more than four hours.

**WARNING:** Do not insert the battery backwards; doing so can cause severe damage to the UM1 and will void your warranty.

**7: Plastic screwdriver** - Specially designed for use in adjusting the UM1 Squelch Level control (see #4 on the previous page). See the "Setting Up and Using the AirLine System" section on page 17 in this manual for more information.

**8: Antennas (A and B)** - The antenna mountings allow full rotation for optimum placement. In normal operation, both antennas should be placed in a vertical position. Both antennas can be folded inward for convenience when transporting the UM1. See the "Setting Up and Using the AirLine" section on page 17 in this manual for more information.

**9: DC input** - This jack will accept a DC input voltage of 6 - 13 volts (inner connection [tip] positive, outer connection [sleeve] ground) from your video camera, if available. Connect an optional Samson AC300R adapter here to charge a rechargeable 9-volt Ni-Cad battery.

**10: Unbalanced output\*** - Use this unbalanced (1K Ohm max.) 1/8" (3.5 mm) mini-phone jack when connecting the UM1 to consumer (-10) audio equipment. Wiring is as follows: tip hot, sleeve ground. If your video camera has stereo audio inputs, you'll need to use a Y-adaptor that has a 1/8" (3.5 mm) mini-phone plug at one end and dual male RCA-type plugs at the other end.

**11: Audio Output Level switch** - Sets the audio output level of both the balanced and unbalanced outputs (see #10 above and #14 on the following page) to -30 dBm (mic level), -20 dBm, or -10 dBm (line level). See the "Setting Up and Using the AirLine System" section on page 17 in this manual for more information.

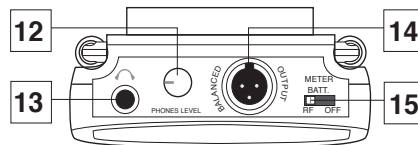
**12: Level control** - This knob sets the level of the audio signal being sent to the headphones output (see #13 below).

**13: Headphones output** - Connect a stereo headphone to this standard 1/8" (3.5 mm) mini-phone jack in order to monitor the signal being output by the UM1. We recommend the use of 30 ohm headphones. The level of the headphone signal can be set by adjusting the Level control (see #12 above). Maximum output is 240 mW @ 30 ohms).

**14: Balanced output\*** - Use this electronically balanced low impedance (600 Ohm) mini-XLR jack when connecting the UM1 to professional (+4) audio equipment. Pin wiring is as follows: Pin 1 ground, Pin 2 high (hot), and Pin 3 low (cold).

**15: Meter switch** - This three-position switch determines the function of the front-panel UM1 meter (see page #2 on page 9). In the left "RF" position, the meter indicates the strength of the incoming RF signal. In the center "BATTERY" position, the meter indicates relative battery power, showing whether the installed battery is at low (red), mid (yellow) or high (green) strength. (Note: When the red "low" indicator lights, performance is degraded and the battery needs to be replaced). In the right "OFF" position, the meter is disabled altogether, thus conserving battery power.

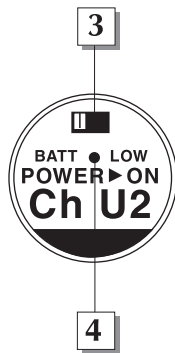
\* If required, both the unbalanced and balanced outputs can be used simultaneously.



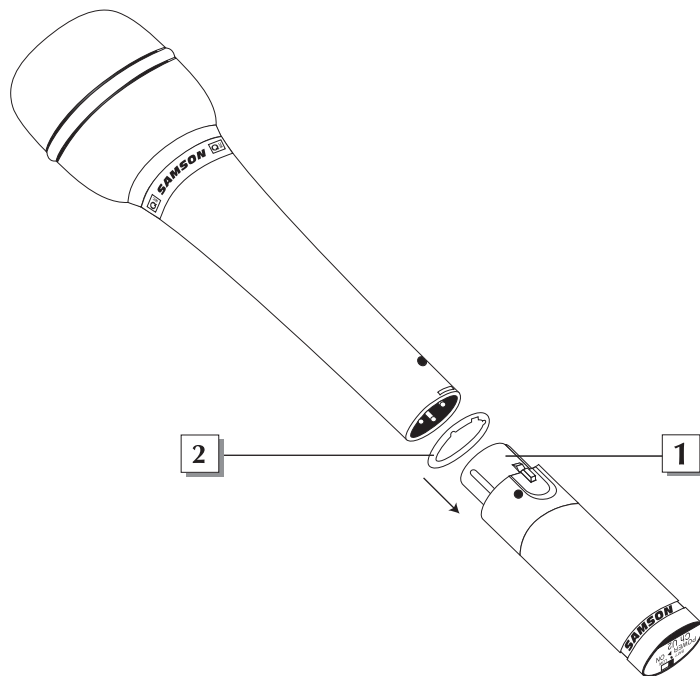
**1: XLR connector** - Connect this standard female XLR connector into any standard wired dynamic microphone in order to make it a wireless mic.

**2: Rubber gasket** - If necessary, use this provided rubber gasket in order to make a solid connection between the AX1 XLR connector and your microphone (note that not all microphones require its use).

**3: Power on-off switch** - Move this switch in the direction of the arrow to turn power to the AX1 on; move it away from the arrow to turn power off. (to conserve battery power, be sure to turn the AX1 off when not in use). Be sure to mute the audio signal at your external mixer or amplifier before turning the AX1 power on or off, or an audible pop may result.



**4: Power / Battery LED** - This LED flashes once when the AX1 is first turned on and lights steadily red when there is less than 2 hours of battery power remaining, indicating that the battery needs to be changed.

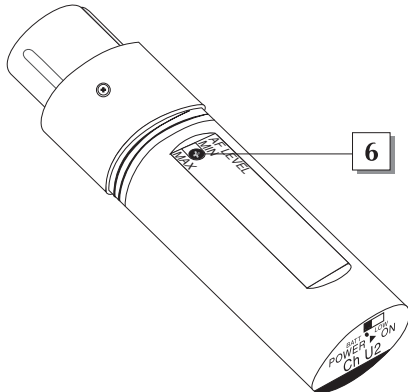
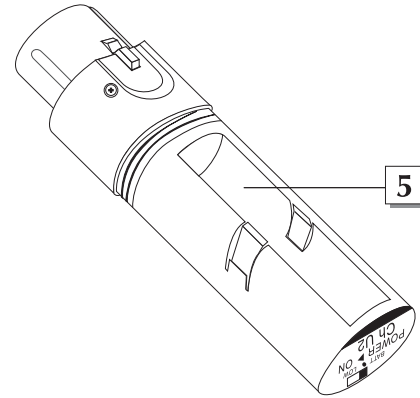


# Guided Tour - AX1 Handheld Transmitter

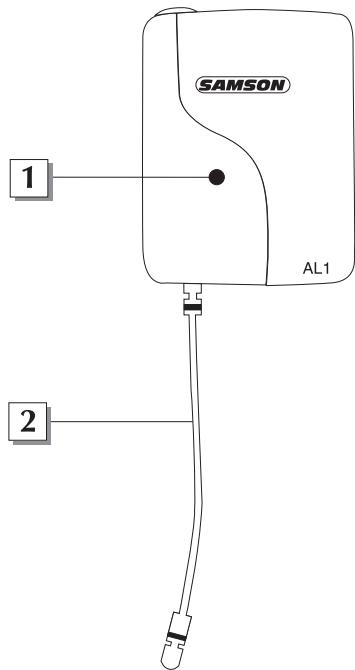
Samson AirLine

**5: Battery compartment** - Insert a standard AAA alkaline battery here, being sure to observe the plus and minus polarity markings shown. We recommend the Duracell type battery. Although rechargeable Ni-Cad batteries can be used, they do not supply adequate current for more than four hours. **WARNING:** Do not insert the battery backwards; doing so can cause severe damage to the AX1 and will void your warranty.

**6: Microphone Input Level control (trimpot)** - Use the supplied plastic screwdriver to raise or lower the input level sensitivity of the AX1 as required. See the "Setting Up and Using Your AirLine System" section on page 17 in this manual for more information.



ENGLISH

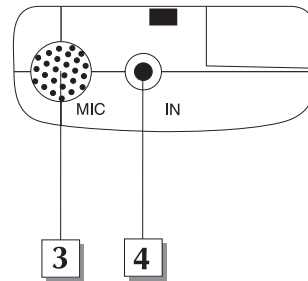


**1: Power / Battery LED** - This LED flashes once when the AL1 is first turned on and lights steadily red when there is less than 2 hours of battery power remaining, indicating that the battery needs to be changed.

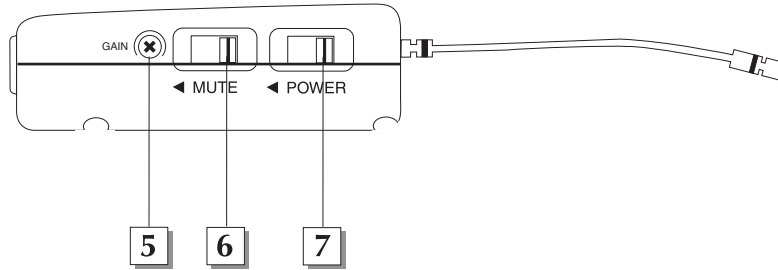
**2: Antenna** - This permanently attached flexible antenna should be fully extended during normal operations. See the "Setting Up and Using Your AirLine System" section on page 17 in this manual for more information about antenna positioning.

**3: Electret condenser microphone** - This high-quality unidirectional electret condenser microphone with metal windscreen is optimized for clear, crisp reproduction of speech. It is active whenever the AL1 is powered on, as long as there is no connection made to the lavalier microphone input connector (see #4 below). When a plug is inserted into the lavalier microphone input connector, this built-in microphone is muted.

**4: Lavalier microphone input connector** - Use this standard 2.5 mm mini-jack if you want to connect an external lavalier microphone to the AL1. Note that, because the AL1 has a built-in electret condenser microphone (see #3 above), the use of an external lavalier mic is optional and not required. The AL1 provides 2.7V of phantom power, so condenser mics can be used if desired.



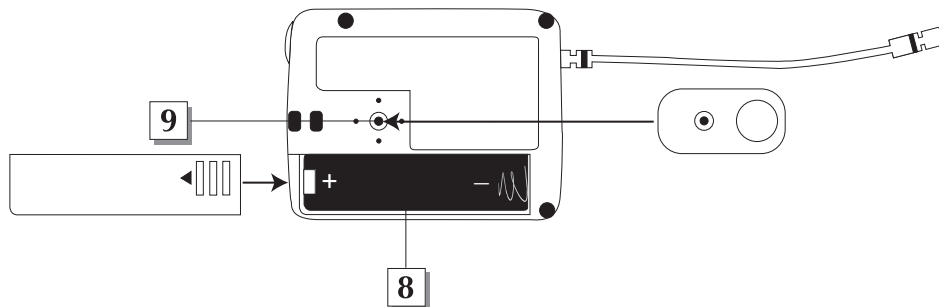
# Guided Tour - AL1 Presentation Transmitter *Samson AirLine*



**5: Gain control (trimpot)** - Use the supplied plastic screwdriver to raise or lower the input level sensitivity of the AL1 as required. See the "Setting Up and Using Your AirLine System" section on page 17 in this manual for more information.

**6: Mute switch** - Move this switch in the direction of the arrow to mute the AL1; move it away from the arrow to unmute it and transmit audio signal. Because the carrier signal remains during muting, no "pop" or "thud" will be heard. Note that turning this off does **not** turn off the transmitter power—it is simply a way to temporarily mute the transmission of audio signal. If you don't plan on using the AL1 for extended periods, turn it off power by using the power on-off switch (see #7 below). Be sure to mute the audio signal at your external mixer or amplifier before turning the AL1 power on or off, or an audible pop may result.

**7: Power switch** - Move this switch in the direction of the arrow to turn power to the AL1 on; move it away from the arrow to turn power off. (to conserve battery power, be sure to turn the AL1 off when not in use).



**8: Battery compartment** - Insert a standard AAA alkaline battery here, being sure to observe the plus and minus polarity markings shown. We recommend the Duracell type battery. Although rechargeable Ni-Cad batteries can be used, they do not supply adequate current for more than four hours. **WARNING:** Do not insert the battery backwards; doing so can cause severe damage to the AL1 and will void your warranty.

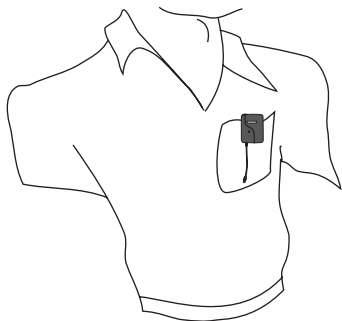
**9: Clip connector** - This clip can be used to fasten the AL1 to a lapel or shirt pocket or to the supplied lanyard. The position of the clip can be rotated to the desired position after loosening its center screw or can be removed entirely by removing the center screw. For more information on positioning the AL1, see the "Setting Up and Using the AirLine System" section on page 17 and Appendix B on page 78 in this manual.



The basic procedure for setting up and using your AirLine System takes only a few minutes:

1. For your AirLine system to work correctly, both the receiver and transmitter must be set to the same channel. Remove all packing materials (save them in case of need for future service) and check to make sure that the supplied receiver and transmitter are set to the same channel (a complete channel plan is printed on the inside back cover of this manual). If these channels do not match, contact your distributor or, if purchased in the United States, Samson Technical Support at 1-800-372-6766.
2. Physically place the receiver where it will be used (the general rule of thumb is to maintain "line of sight" between the receiver and transmitter so that the person using or wearing the transmitter can see the receiver). The CR77 can be rack-mounted if desired (taking a half-rack space), using an optional Samson adapter kit. The UM1 can be mounted to a video camera using the supplied velcro.
3. Extend the receiver antenna(s) and place it (them) in a vertical position. Make sure the Power on-off switch in your transmitter is set to "Off."
  - 4a. If your system contains an AX1 handheld transmitter, unscrew the bottom section by turning it counterclockwise and then slide it off.
  - 4b. If your system contains an AL1 body pack transmitter, turn it over and slide off the battery door.
5. Place a fresh AAA alkaline battery in the transmitter battery compartment, taking care to observe the polarity markings. If you are using an AX1 transmitter, replace the bottom section by sliding it on and then screwing it back on. If you are using an AL1 transmitter, replace the battery door by sliding it in until it clicks. Whichever transmitter you are using, leave it off for the moment.
6. Make the physical cable connection between the receiver output jack and a mic level audio input of your amplifier or mixer. The balanced XLR jack is preferable, since it will deliver an electromagnetically cleaner signal. If required, both the balanced and unbalanced outputs can be used simultaneously. If your system contains a CR77 or UM1 receiver, be sure to set its Audio Output Level switch correctly (see pages 8 and 10 for details). Leave your amplifier (and/or mixer) off at this time.
7. Turn the Volume, Level or AF Level knob on the receiver completely counterclockwise. Connect the supplied AC adapter to the CR77 receiver and plug it in (the UM1 receiver can also operate off battery power or a 12 volt power supply from a connected video camera), then plug the adapter into any standard AC outlet. Slide the Power switch in the direction of the arrow to turn on the receiver. If system contains a CR77 receiver, its "Power" LED will light steadily red. (Note: The UM1 receiver has no "Power" LED indicator.)

8. Turn on the power to your transmitter (using its Power on-off switch); the "Power/Battery" LED will flash if the battery is sufficiently strong (if it lights steadily, the battery has less than 2 hours of power remaining and should be replaced). If your system contains either a CR77 or UM1 receiver, one of the "A/B Receiver" LEDs will light, showing you whether the (left) "A" or (right) "B" receiver is currently being used. The CR77 / UM1 meter will also indicate the strength of the incoming RF signal.
9. Now it's time to set the audio levels. Turn on your connected amplifier and/or mixer but keep its volume all the way down. If you are using an AL1 transmitter, make sure that it is unmuted (its Mute switch should be positioned away from the arrow). Then set the Volume, Level or AF Level knob on the receiver fully clockwise; this is unity gain. If you are using an AL1 transmitter with the built-in microphone, note that correct placement is critical to sound quality. We recommend that you place it as shown in the illustrations on this page— unobstructed by clothing and either clipped to a shirt pocket or lapel, or worn around the neck on the supplied lanyard.



10. Speak or sing into your mic at a normal performance level while slowly raising the volume of your amplifier and/or mixer until the desired level is reached. The UM1 receiver allows you to monitor the transmission signal using standard Walkman-type 30 ohm headphones connected to its headphone jack. Note that **Unidirectional** microphones (mics which pick up signal from just one direction) such as the built-in AL1 electret condenser are less prone to feedback than other types of mics. Any feedback problems you encounter can be minimized by being sure not to use the microphone directly in front of a PA speaker or by using an equalizer to attenuate (reduce) those high- or mid-range frequencies which are causing the feedback "squealing".

11. If you hear distortion at the desired volume level, first check to see whether the "Peak" LED on the receiver is lit. If it is **not** lit, make sure that the gain structure of your audio system is correctly set (consult the owners manual of your mixer and/or amplifier for details). If the red "Peak" LED **is** lit, do the following:

- If you are using an AX1 transmitter, use the supplied plastic screwdriver to turn its Microphone Input Level control (trimpot) slowly counterclockwise (towards the "Min" position) until the distortion disappears.
- If you are using an AL1 transmitter with its internal electret condenser microphone, simply move the microphone further from your mouth. If you are using an AL1 with an external lavalier microphone, use the supplied plastic screwdriver to turn the Gain control (trimpot) slowly counterclockwise until the distortion disappears.

12. Conversely, if you hear a weak, noisy signal at the desired volume level, again make sure that the gain structure of your audio system is correctly set (consult the owners manual of your mixer and/or amplifier for details) and that the Volume control of the receiver is fully clockwise. If it **is** lit and the signal coming from the receiver is still weak and/or noisy, do the following:

- If you are using an AX1 transmitter, use the supplied plastic screwdriver to turn its Microphone Input Level control (trimpot) slowly clockwise (towards the "Max" position) until the signal reaches an acceptable level.
- If you are using an AL1 transmitter with its internal electret condenser microphone, simply position the microphone closer to your mouth. If you are using an AL1 with an external lavalier microphone, use the supplied plastic screwdriver to turn the Gain control (trimpot) slowly clockwise until the signal reaches an acceptable level.

13. Temporarily turn down the level of your mixer/amplifier system and turn off the power to your transmitter, leaving the receiver on. Then restore the previously set level of your mixer/amplifier. With the transmitter off, the receiver output should be totally silent—if it is, skip ahead to the next step. If it isn't (that is, if you hear some noise), you may need to adjust the receiver Squelch control. When the Squelch control is at its minimum setting, the AirLine system always provides maximum range without dropout; however, depending upon the particular environment your system is used in, you may need to reduce that range somewhat in order to eliminate band noise when the transmitter is turned off. To do so, use the provided screwdriver to rotate the Squelch control completely counterclockwise (to the "Min" position), then slowly turn it clockwise until the noise disappears. If no noise is present at any position, leave it at its fully counterclockwise "Min" position (so as to have the greatest overall range available).

14. When first setting up your AirLine System in a new environment, it's always a good idea to do a walkaround in order to make sure that coverage is provided for your entire performance area. Accordingly, turn down the level of your audio system and turn on both the transmitter and receiver. Then, with the transmitter unmuted, restore the level of your audio system and while speaking or singing, walk through the entire area that will need to be covered. As you do so, observe the RF display or meter on the receiver to make sure that it is receiving sufficiently strong RF signal ( in the CR77 and UM1 receivers, all segments of the RF Level meter should be lit). Always try to minimize the distance between transmitter and receiver as much as possible so that the strongest possible signal is received from all planned transmission points. In certain environments, it may be desirable to angle the receiver antenna(s) differently from the vertical position. Where extended range coverage is required, the Samson CR77 true diversity receiver (set to the same channel as the transmitter) should be used. For videography applications, the Samson UM1 micro diversity receiver should be used.

If you have followed all the steps above and are experiencing difficulties, contact your local distributor or, if purchased in the United States, call Samson Technical Support (1-800-372-6766) between 9 AM and 5 PM EST.

Bienvenue sur Samson Airline. Envolez-vous vers la liberté grâce aux systèmes sans fil du nouveau millénaire ! Les microphones et instruments sans fil ont été inventés pour offrir aux musiciens et aux interprètes une liberté de mouvement totale. La gamme AirLine reprend ce concept et le porte à une dimension encore jamais égalée grâce à des émetteurs si petits, légers et aérodynamiques qu'ils sont quasiment invisibles ! Nous avons développé une toute nouvelle technologie qui a permis de créer des émetteurs aussi miniatures. Dotés de circuits miniaturisés et fonctionnant sur une simple pile AAA (autonomie moyenne de 14 heures), ces émetteurs bénéficient d'une qualité sonore et d'une qualité de réception vraiment améliorées.

Le présent mode d'emploi vous donne tous les renseignements nécessaires concernant deux modèles de la gamme Samson AirLine. Tous deux fonctionnent dans la bande de fréquences UHF 801 à 805 MHz et reprennent le récepteur CR77 ou un récepteur UM1 Diversity (optimisé pour la production d'enregistrements audio pour des plateaux de vidéo ou de diffusion en direct). Le système AirLine UHF Microphone se compose d'un émetteur main AX1 à relier à n'importe quel microphone dynamique standard. Le système AirLine UHF Presentation comprend un émetteur AL1 équipé d'un microphone à condensateur à électret et d'un port pour connexion sur un microphone cravate disponible en option.

Ce mode d'emploi présente les caractéristiques et possibilités détaillées des systèmes de la gamme AirLine, les procédures d'utilisation ainsi que les caractéristiques techniques des appareils. Vous pouvez également y trouver une carte de garantie – n'oubliez pas de la remplir et de nous la renvoyer pour pouvoir bénéficier de notre assistance technique en ligne et être informé des dernières nouveautés Samson. Consultez également notre site Internet à l'adresse <http://www.samsontech.com>.

NOTE : En cas de panne, contactez votre revendeur Samson. Veuillez à cet effet conserver le carton et les emballages d'expédition de l'appareil.

## Samson AirLine **Prise en main**

---

Si vous êtes un habitué des systèmes sans fil, ce chapitre vous permettra de régler et d'utiliser votre système AirLine en quelques minutes ! Vous pouvez trouver les procédures de configuration et d'utilisation détaillées de votre système AirLine en page 35 de ce mode d'emploi, ainsi que des "visites guidées" présentant les différentes commandes, connecteurs et témoins des modèles AirLine aux pages 24 à 34.

1. Vérifiez que le récepteur et que l'émetteur AX1 ou AL1 fournis sont bien réglés sur le même canal.
2. Placez le récepteur à l'endroit où il devra être utilisé et déployez son antenne.
3. Placez l'émetteur hors tension en plaçant l'interrupteur d'alimentation en position "Off" (pas sur la flèche), puis placez-y une pile neuve. Faites alors repasser temporairement l'émetteur sous tension ; son témoin lumineux clignote alors une fois, puis s'éteint si la pile est suffisamment puissante. Une fois que la puissance de la pile a été vérifiée, mettez l'émetteur hors tension.
4. Si vous utilisez un AX1, reliez un microphone dynamique à sa fiche XLR. Si nécessaire, assurez la connexion au moyen du joint en caoutchouc fourni. Si vous utilisez un AL1 avec un microphone cravate externe, reliez le microphone à la fiche d'entrée du premier.
5. Placez votre système d'écoute hors tension, puis reliez la sortie symétrique ou asymétrique du récepteur (les deux sorties peuvent être employés simultanément si besoin est) à l'une des entrées micro audio de votre amplificateur ou de votre console de mixage. Si votre système est équipé d'un récepteur CR77 ou UM1, vérifiez que son sélecteur de niveau de sortie est correctement réglé.
6. Tournez le potentiomètre Volume, Level ou AF Level du récepteur complètement vers la gauche. Reliez l'une des extrémités de l'adaptateur secteur fourni au récepteur et l'autre à une prise secteur (ou placez une pile neuve dans le récepteur UM1). Laissez le récepteur hors tension pour l'instant.
7. Placez le récepteur sous tension. Si votre système est pourvu d'un récepteur CR77, son témoin "Power" doit alors s'allumer en rouge. Note : Le récepteur UM1 n'est doté d'aucun témoin de ce type.
8. Placez l'émetteur sous tension. Si vous êtes équipé d'un récepteur CR77 ou UM1, l'un des témoins "A/B Receiver" doit s'allumer, ce qui

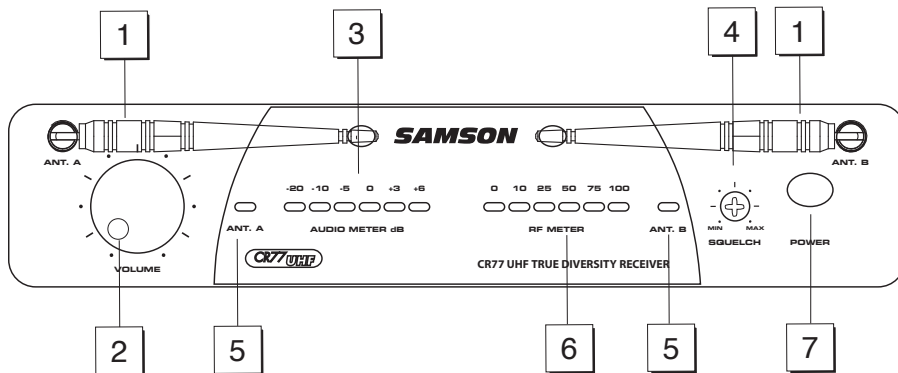
indique que l'un des deux canaux (gauche "A" ou droit "B") est en cours d'utilisation. L'afficheur de niveau des CR77/UM1 vous renseigne par ailleurs sur l'intensité du signal HF reçu.

9. Allumez ensuite l'amplificateur ou la console de mixage utilisé(e) sans pour autant relever le volume. Vérifiez que l'émetteur AL1 n'est pas coupé par la fonction Squelch. Tournez alors le potentiomètre Volume, Level ou AF Level du récepteur complètement sur la droite, position qui correspond au gain unitaire.

10. Chantez ou prononcez des mots dans le micro au niveau auquel ils devront l'être lors du concert ou de la conférence tout en relevant progressivement le niveau de l'entrée audio de l'amplificateur ou de la console de mixage jusqu'au volume souhaité. Si nécessaire, baissez ou relevez le gain de l'émetteur via le potentiomètre Gain. Si vous utilisez un émetteur AL1 avec son microphone interne, un bon placement est indispensable à une bonne qualité sonore. Veillez à ne pas le couvrir par un vêtement. Il doit être agrafé sur une poche de chemise ou une cravate, ou être porté en pendentif grâce au cordon fourni.

11. Faites quelques pas sur toute la zone à couvrir tout en observant le témoin "Power/RF" ou l'afficheur de niveau HF (RF Meter) du récepteur. Ce témoin (ou afficheur) doit toujours rester allumé en vert dans toutes les zones de couverture. Repositionnez, si nécessaire, son ou ses antennes.

12. Si vous entendez des émissions parasites à la sortie du récepteur lorsque l'émetteur est hors tension, relevez progressivement le potentiomètre Squelch du récepteur jusqu'à ce que les interférences disparaissent.



**1: Antennes (A et B)** - Les différents montages possibles des antennes permettent leur rotation complète pour obtenir une localisation optimale. En fonctionnement normal, l'antenne A (située à gauche) et l'antenne B (située à droite) doivent être placées en position verticale. Les deux antennes peuvent être repliées vers l'avant, pour faciliter le transport du récepteur CR77. Voir la page 35 de ce manuel, pour plus d'information sur l'installation et le positionnement des antennes.

**2: Volume** - Cet indicateur détermine le niveau du signal acoustique en sortie aux fiches de sorties symétrique et asymétrique, à l'arrière du rack. On obtient un niveau de référence lorsque le bouton est en position maximale (vers la droite).

**3 : Afficheur de niveau audio** - Cet afficheur (similaire aux Bargraphs utilisés sur les équipements audio) indique le niveau du signal d'entrée audio. Lorsque le segment "0" est allumé, le niveau du signal d'entrée est optimisé à gain unitaire ; lorsque le segment "+6" est allumé, le signal sature. Lorsque seul le segment de gauche "-20" est allumé, le niveau du signal d'entrée n'est qu'à 10 % de son niveau optimal. Si aucun segment n'est allumé, quasiment aucun signal n'est reçu. Pour plus d'information, voir la page 35 de ce manuel.

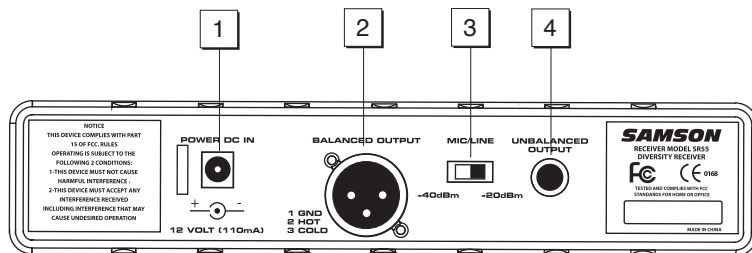


**4: Squelch** - Cette commande détermine le niveau de seuil minimal du signal reçu avant par le récepteur CR77 avant coupure du signal audio. Il est possible de modifier ce réglage à l'aide du tournevis en plastique fourni. Il est toutefois recommandé de conserver le réglage d'usine. Pour plus d'information, voir la page 35 de ce manuel.

**5: LEDs des antennes A et B** - En présence de signal, l'une des deux diodes s'allume en vert et indique ainsi quelle antenne, "A" (à gauche) ou "B" (à droite) est en fonctionnement. Le récepteur CR77 balaye constamment les deux antennes et choisit automatiquement celle qui reçoit le signal le plus fort et le plus clair. La commutation True Diversity est parfaitement inaudible, mais augmente sensiblement la portée totale en éliminant les problèmes d'interférences haute fréquence et d'annulation de phase.

**6: Indicateur de niveau RF (Haute Fréquence)** - Ce témoin 6 segments (semblable aux VU-mètres utilisés dans les équipements audio) indique la puissance du signal UHF reçu. Lorsque tous les segments sont allumés, le signal H.F. entrant est à sa puissance optimale. Lorsque seul le segment situé le plus à gauche est allumé, le signal H.F. entrant est à sa puissance minimale. Si aucun segment n'est allumé, aucun signal n'est reçu ; assurez-vous que l'émetteur est bien en position de marche et qu'il est connecté au même canal que le récepteur CR77. Pour de plus amples informations, veuillez consulter la page 35 de ce manuel.

**7: Commutateur d'alimentation** - Utilisez cette commande pour mettre le récepteur CR77 sous ou hors-tension. Lorsque le récepteur est sous tension, la LED d'alimentation est allumée.



**1: Connecteur d'alimentation -** Connectez à cet endroit l'adaptateur 12 volts-160 mA fourni, avec le clip de maintien en vous référant à l'illustration (ci-dessous).

**ATTENTION :** n'utilisez aucun autre type d'adaptateur, au risque d'endommager sérieusement votre récepteur CR77 et de voir votre garantie annulée.

**2: Sortie asymétrique \*** - Servez-vous de la sortie jack asymétrique 6,35 mm à haute impédance (5 kOhms, pour connecter le récepteur CR77 à un équipement audio semi-professionnel ou grand public (- 10 dB). Le câblage se fait de la manière suivante : pointe = point chaud; corps = masse, blindage.

**3: Réglage de niveau de sortie audio**

- Réglez l'atténuation du niveau de sortie acoustique de la sortie symétrique (voir §4 ci-dessous) à -20 dBm (niveau ligne). Pour obtenir de plus amples informations, consultez la page 35 de ce manuel.

**4: Sortie symétrique \*** - Utilisez le connecteur XLR symétrique à basse impédance (600 Ohms pour connecter le récepteur CR77 à un équipement audio professionnel (+ 4 dBu). Le câblage se fait de la manière suivante : broche 1 = masse, broche 2 = point chaud, broche 3 = point froid.

\* Les sorties asymétrique et symétrique peuvent être utilisées simultanément.

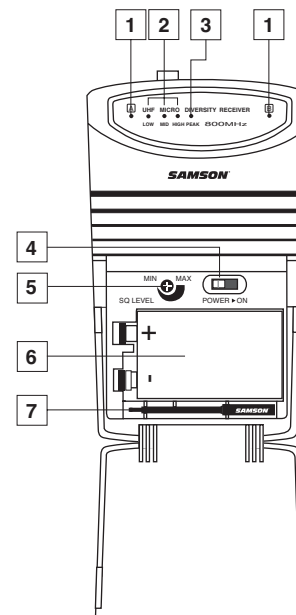
**1 : Témoins d'activité des récepteurs A/B** - Lors de la réception du signal, l'un de ces témoin s'allume en orange indiquant le récepteur en cours d'utilisation (A = témoin gauche ; B = témoin droit). L'UM1 analyse en permanence ses deux antennes et bascule automatiquement sur celle qui reçoit le signal le plus clair et le plus puissant. Cette commutation True Diversity est absolument inaudible mais améliore sensiblement la plage d'action générale tout en éliminant quasiment toutes les interférences et les problèmes d'annulation de phase éventuels.

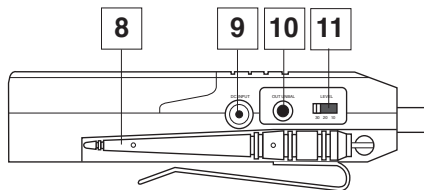
**2 : Afficheur** - Ces trois témoins multicolores agissent comme un afficheur de niveau indiquant soit l'état d'usure de la pile, soit la puissance du signal RF reçu. Il est possible de désactiver cet afficheur pour économiser la pile. Reportez-vous au n°15 de la page 92 pour de plus amples enseignements.

**3 : Témoin d'écrêtage** - Ce témoin vire au rouge lorsque le signal de sortie de l'UM1 approche de la saturation (autrement dit, sur le point de distordre). Si ce témoin s'allume en cours d'utilisation, éloignez le microphone ou abaissez le niveau de sortie de l'instrument ou de l'émetteur. Reportez-vous au page 35 pour de plus amples renseignements.

**4 : Interrupteur d'alimentation** - Permet de mettre sous et hors tension l'UM1.

**5 : Réglage de squelch SQ** - Ce réglage permet de définir la portée maximale de l'UM1 avant perte du signal audio. Même si vous pouvez l'ajuster à l'aide du tournevis en plastique fourni, il est recommandé de ne pas toucher au réglage d'usine. Reportez-vous au page 35 de ce manuel.





**6 : Trappe de la pile** - Insérez dans cette trappe une pile alcaline 9 Volts en respectant bien la polarité (+ et -). Même s'il est possible d'utiliser des piles au Nickel-Cadmium rechargeables, elles ne donnent de puissance suffisante que pendant quatre heures. **AVERTISSEMENT** : N'insérez pas la pile à l'envers sous peine d'endommager gravement l'UM1 (cela annulerait la garantie).

**7 : Tournevis en plastique** - Ce tournevis permet d'ajuster le réglage de squelch de (voir n°4 ci-dessus). Reportez-vous au page 35 pour de plus amples détails.

**8 : Antennes (A / B)** - Les antennes pivotent pour un placement optimal. En fonctionnement normal, les antennes doivent être placées à la verticale mais vous pouvez les replier pour transporter plus facilement l'UM1. Reportez-vous au page 35 de ce manuel.

**9 : Connecteur d'alimentation** - Ce connecteur accepte une tension continue de 6 à 13 Volts (point chaud sur [pointe], masse sur [corps]) en provenance de la caméra vidéo, si disponible. Reliez à ce connecteur l'adaptateur Samson AC300R optionnel permettant de charger une pile 9 Volts Nickel-Cadmium rechargeable.

**10 : Sortie asymétrique\*** - Cette sortie asymétrique haute impédance (1 kOhm max.) au format jack 3,5 mm vous permet de relier l'UM1 à des appareils audio domestiques (-10). Câblage : point chaud sur pointe, masse sur corps. Si votre caméra vidéo dispose d'entrées stéréo, vous avez besoin d'un câble en Y doté de fiches mini-jack stéréo 3,5 mm à une extrémité et de fiches RCA à l'autre extrémité.

**11 : Sélecteur du niveau de sortie audio** - Permet de sélectionner le niveau de sortie de la sortie symétrique et de la sortie asymétrique (voir n°10 ci-dessus et n°14 ci-dessous). Niveaux de sorties possibles : -30 dBm (niveau micro), -20 dBm et -10 dBm (niveau ligne). Reportez-vous au page 35 de ce manuel, pour de plus amples détails.

\* Vous pouvez, si nécessaire, utiliser simultanément la sortie symétrique et la sortie asymétrique.

# Visite guidée – Récepteur UM1

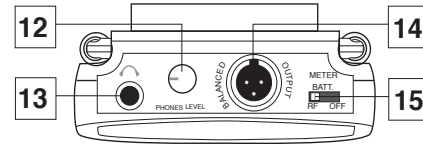
Samson AirLine

**12 : Potentiomètre de niveau de la prise casque** - Ce potentiomètre permet de régler le niveau de sortie du signal dirigé à la prise casque (voir n°13 ci-dessous).

**13 : Prise casque** - Reliez à cette prise un casque stéréo doté d'une fiche mini-jack 3,5 mm afin d'entendre le retour du signal transmis par l'UM1. Nous vous recommandons l'utilisation d'un casque de 30 Ohms. Le volume de la prise casque se règle par le potentiomètre prévu à cet effet (voir n°12 ci-dessus). Le niveau de sortie maximum est de 240 mW dans 30 Ohms.

**14 : Sortie symétrique\*** - Cette sortie symétrique basse impédance (600 Ohms) au format mini-XLR vous permet de relier l'UM1 à des appareils audio professionnels (+4). Câblage : masse (blindage) sur broche 1, point chaud sur broche 2 et point froid sur broche 3.

**15 : Sélecteur de fonction de l'afficheur à leds** - Ce sélecteur à trois positions permet de choisir la fonction de l'afficheur à leds de l'UM1 (voir n°2, page 27). En position de gauche "RF", l'afficheur indique la puissance du signal RF d'entrée. En position centrale "BATTERY", l'afficheur indique l'état d'usure de la pile : rouge (pile usée), jaune (usure moyenne) ou vert (pleine puissance). (Remarque : Lorsque le témoin rouge s'allume, les performances diminuent et il est temps de changer la pile). En position de droite "OFF", l'afficheur est désactivé, mais la pile est moins sollicitée.

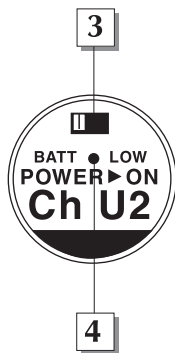
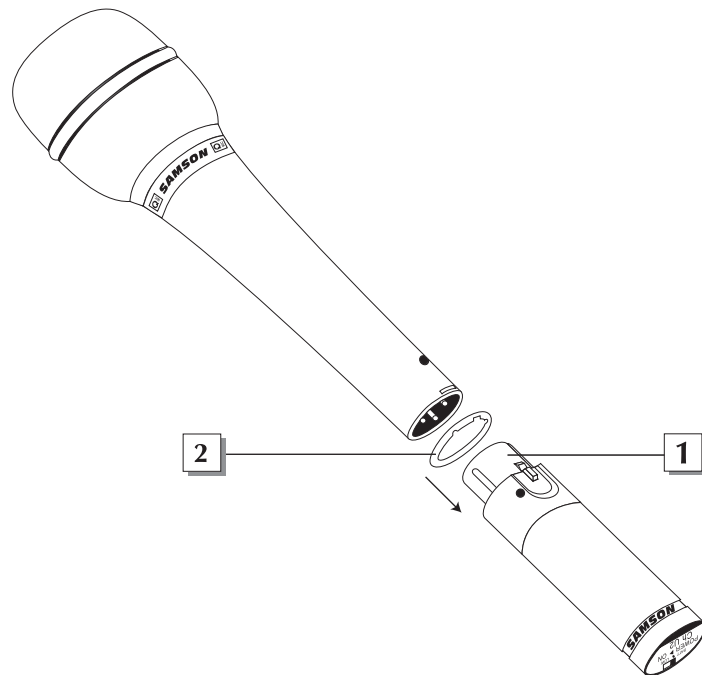


\* Vous pouvez, si nécessaire, utiliser simultanément la sortie symétrique et la sortie asymétrique.

**1 : Embase XLR** – Vous pouvez transformer n'importe quel microphone dynamique standard en micro sans fil en le reliant à cette embase XLR femelle.

**2 : Élément en caoutchouc** – Si nécessaire, assurez la connexion entre l'embase XLR de l'AR1 et le microphone au moyen de l'élément en caoutchouc fourni (ce joint n'est pas nécessaire pour tous les microphones).

**3 : Interrupteur d'alimentation** - Le fait de déplacer cet interrupteur sur la flèche met l'AX1 sous tension ; placez-le en position inverse pour le placer hors tension. Pour ne pas gaspiller l'énergie de la pile, n'oubliez pas de mettre l'AX1 hors tension lorsque vous ne l'utilisez pas. N'oubliez pas non plus de couper le signal audio au niveau de la console de mixage ou de l'amplificateur avant de mettre l'AX1 sous ou hors tension sous peine de générer des bruits parasites.

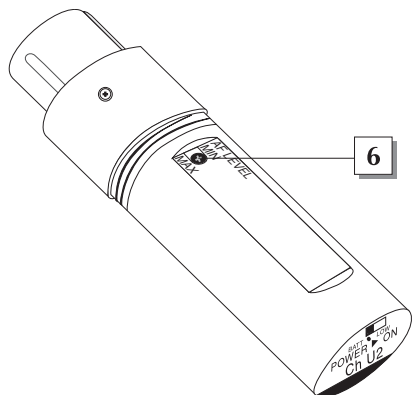


# Visite guidée – Emetteur main AX1

Samson AirLine

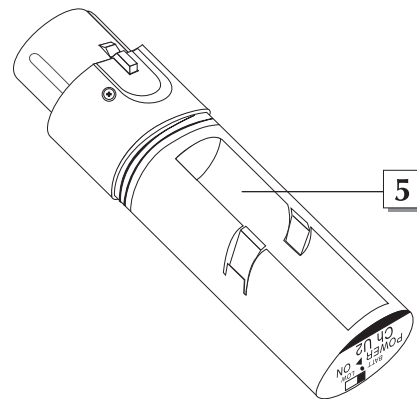
**4 : Témoin Power On/RF** – Ce témoin clignote une fois à la première mise sous tension de l'AX1, sinon, il s'allume en rouge. Par contre, il se met à clignoter dès qu'il ne reste plus que 2heures d'autonomie (usure de la pile). Changez alors la pile.

**5 : Trappe de la pile** – Placez dans cette trappe une pile alcaline AAA standard en respectant la polarité. Nous vous recommandons l'emploi de piles Duracell. Même s'il est possible d'utiliser des piles Ni-Cad rechargeables, elles n'offrent pas une autonomie suffisante (pas plus de quatre heures). **ATTENTION:** Veillez à ne pas insérer la pile à l'envers sous peine d'endommager gravement l'AX1 et d'annuler la garantie.

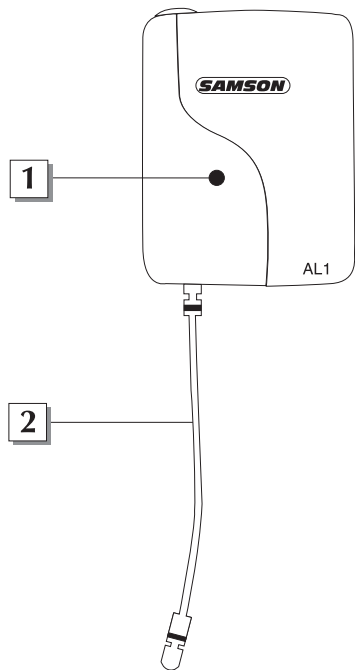


## 6 : Potentiomètre de réglage du niveau de l'entrée microphone

– Servez-vous, si nécessaire, du tournevis en plastique fourni pour atténuer ou augmenter, par ce potentiomètre, la sensibilité à l'entrée de l'AX1. Voir section "Configuration et utilisation des systèmes AirLine" en page 35 pour obtenir de plus amples renseignements.



FRANÇAIS

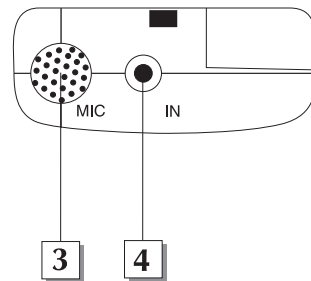


**1 : Témoin d'alimentation/d'usure de la pile** – Ce témoin clignote une fois lors de la première mise en service de l'AL1. Sinon, il doit rester allumer en rouge. Par contre, il se met à clignoter dès qu'il ne reste plus que 2heures d'autonomie (usure de la pile). Changez alors la pile.

**2 : Antenne** – En conditions d'utilisation normales, cette antenne fixe pivotante doit être déployée au maximum. Vous trouverez de plus amples renseignements sur le positionnement de l'antenne à la section "Configuration et utilisation des systèmes AirLine" en page 35.

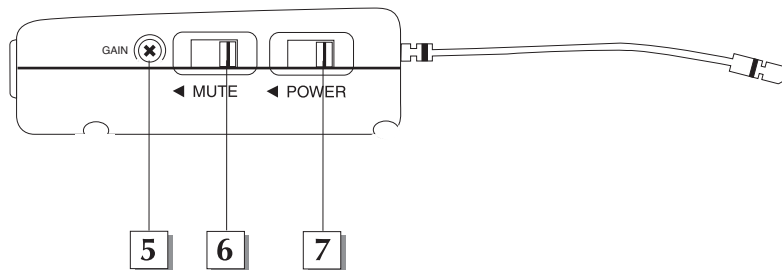
**3 : Microphone électret** – Microphone électret unidirectionnel de haute qualité doté d'un écran anti-vent en métal optimisé pour la reproduction des discours. Ce microphone est activé à la mise sous tension de l'AL1 sauf si un micro cravate externe est relié au connecteur d'entrée microphone (voir n°4 ci-dessous). Le fait d'insérer le connecteur du micro cravate dans l'embase microphone désactive le micro interne.

**4 : Connecteur d'entrée pour microphone cravate** – Reliez tout microphone cravate externe à l'AL1 par le biais de cette embase mini-Jack 2,5mm standard. Remarque: Comme l'AL1 est équipé d'un microphone à condensateur à électret interne (voir n°3 ci-dessus), il n'est pas indispensable de recourir à un micro cravate externe. L'AL1 délivre une alimentation fantôme de 2,7V permettant également d'utiliser des microphones à condensateur.





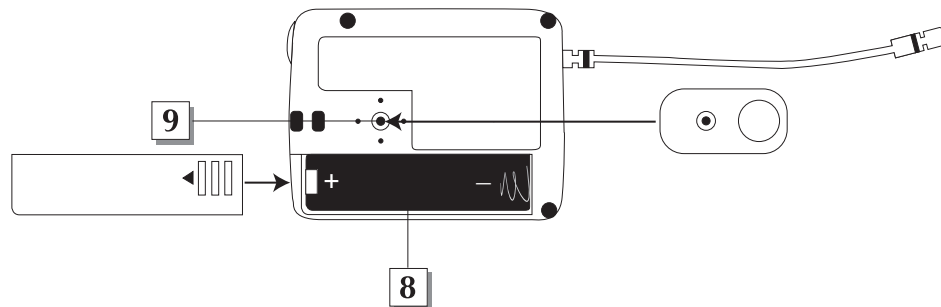
# Visite guidée – Emetteur de presentation AL1 *Samson AirLine*



**5 : Potentiomètre de réglage de gain** – Servez-vous, si nécessaire, du tournevis en plastique fourni, pour augmenter ou atténuer, par ce potentiomètre, la sensibilité d'entrée de l'AL1. Voir section "Configuration et utilisation des systèmes AirLine" page 35.

**6 : Sélecteur Mute** – Le fait de placer le sélecteur Mute sur la flèche coupe (Mute) l'AL1 ; ramenez-le en position inverse pour ré activer l'AL1 et pour qu'il puisse transmettre un signal audio. Comme le signal de porteuse n'est pas affecté par le sélecteur Mute, aucun bruit parasite n'apparaît lors de sa manipulation. Remarque: Le fait de couper le microphone par le sélecteur Mute ne le met pas hors tension. Ce sélecteur permet simplement d'interrompre temporairement la transmission du signal audio. En cas de non utilisation prolongée de l'AL1, il est préférable de le mettre hors tension au moyen de l'interrupteur d'alimentation (voir n°7). N'oubliez pas de couper le signal audio ou d'abaisser totalement son niveau sur la console de mixage ou l'amplificateur avant de mettre l'AL1 sous ou hors tension sous peine de générer des bruits parasites.

**7 : Interrupteur d'alimentation** – Placez cet interrupteur dans la direction de la flèche pour mettre l'AL1 sous tension ; placez-le dans la direction inverse pour le mettre hors tension. Pour éviter de gaspiller l'énergie de la pile, n'oubliez pas de mettre l'AL1 hors tension lorsque vous ne l'utilisez pas.



**8 : Trappe de la pile** – Placez dans cette trappe une pile alcaline AAA standard en respectant la polarité. Nous vous recommandons l'emploi de piles Duracell. Même s'il est possible d'utiliser des piles Ni-Cad rechargeables, elles n'offrent pas une autonomie suffisante (pas plus de quatre heures). **ATTENTION:** Veillez à ne pas insérer la pile à l'envers sous peine d'endommager gravement l'AL1 et d'annuler la garantie.

**9 : Pince** – Fixez l'AL1 à une cravate, une poche de chemise ou au cordon fourni par le biais de cette pince. Vous pouvez faire pivoter cette pince dans la position souhaitée en dévissant légèrement la vis centrale. Il est même possible de l'enlever totalement en retirant la vis centrale. Vous trouverez de plus amples renseignements sur le positionnement de l'AL1 à la section "Configuration et utilisation des systèmes AirLine" en page 35 de ce mode d'emploi.

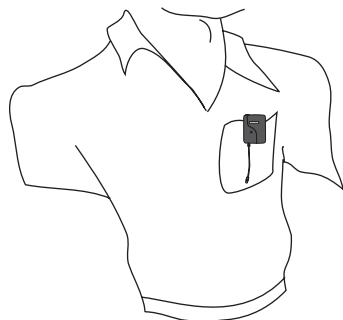
Les réglages de configuration et d'utilisation de votre système AirLine ne prennent que quelques petites minutes :

1. Pour que votre système AirLine fonctionne correctement, il faut que l'émetteur et le récepteur soient tous deux réglés sur le même canal. Retirez les deux appareils de leur emballage (conservez ce dernier pour d'éventuelles réparations) et vérifiez que le récepteur et l'émetteur fournis sont bien réglés sur le même canal (vous pouvez trouver un plan complet des canaux sur la couverture arrière du présent mode d'emploi). S'ils ne sont pas réglés sur le même canal, veuillez contacter votre distributeur.
2. Placez le récepteur à l'endroit où il devra être utilisé (pensez à maintenir un "couloir" entre le récepteur et l'émetteur afin que la personne utilisant ou portant l'émetteur puisse voir le récepteur). L'CR77 peut être monté en rack (format demi-rack) au moyen du kit Samson prévu à cet effet et disponible en option. L'UM1 peut être fixé à une caméra vidéo au moyen du Velcro fourni.
3. Déployez ensuite la ou les antennes du récepteur à la verticale. Vérifiez que l'émetteur n'est pas sous tension (interrupteur d'alimentation en position "Off").
- 4a. Si vous êtes équipé d'un émetteur main AX1, dévissez le bas de l'émetteur en le faisant tourner dans le sens inverse des aiguilles d'une montre, puis retirez-le.
- 4b. Si vous êtes équipé d'un émetteur de ceinture AL1, retournez-le, puis retirez le cache du compartiment à pile.
- 5 Placez une pile alcaline AAA neuve dans la trappe à pile de l'émetteur en prenant soin de respecter la polarité indiquée. Si vous utilisez un émetteur main AX1, revissez le bas de l'émetteur. S'il s'agit d'un émetteur de ceinture AL1, remplacez le cache du compartiment à pile en le faisant glisser jusqu'à ce que vous entendiez un clic. Quel que soit l'émetteur utilisé, ne le mettez pas encore sous tension.
- 6 Reliez à présent la sortie du récepteur à l'une des entrées audio niveau micro de l'amplificateur ou de la console de mixage. Privilégiez la sortie symétrique sur fiche XLR car le signal qu'elle délivre est peu sensible aux interférences électromagnétiques. Vous pouvez, si nécessaire, utiliser simultanément les sorties symétrique et asymétrique. Si votre système est équipé d'un récepteur CR77 ou UM1, vérifiez que le sélecteur Audio Output Level (niveau de sortie, voir pages 26 et 28) est correctement réglé. Placez l'amplificateur (et/ou la console de mixage) hors tension avant de procéder aux connexions.

7 Tournez le potentiomètre Volume, Level ou AF Level du récepteur complètement à gauche. Reliez l'adaptateur secteur fourni au connecteur d'alimentation de l'CR77, puis reliez l'autre extrémité de l'adaptateur à une prise secteur (le récepteur UM1 peut être alimenté en 12 Volts depuis une caméra vidéo). Placez le récepteur sous tension en plaçant son interrupteur d'alimentation en direction de la flèche. S'il est équipé d'un récepteur CR77, son témoin "Power" doit s'allumer en rouge. (Note : Le récepteur UM1 n'est pas doté de témoin d'alimentation "Power").

8 Placez à présent l'émetteur sous tension (par le biais de son interrupteur d'alimentation). Le témoin "Power/Battery" se met à clignoter si la pile dispose de suffisamment de puissance (s'il reste allumé en permanence, cela signifie qu'il reste moins de 2 heures d'autonomie à la pile et qu'il faut la changer). Si vous êtes équipé d'un récepteur AR1, il faut que son témoin "Power/ RF" vire du rouge au vert. Cela indique que l'AR1 reçoit un signal HF valide est qu'il est correctement positionné. Si vous êtes équipé d'un récepteur CR77 ou UM1, l'un des témoins "A/B Receiver" doit s'allumer, ce qui indique que l'un des deux canaux (gauche "A" ou droit "B") est en cours d'utilisation. L'afficheur de niveau des CR77/UM1 vous renseigne par ailleurs sur l'intensité du signal HF reçu.

9 Passons au réglage des niveaux audio. Placez la console de mixage et/ou l'amplificateur sous tension sans pour autant relever leur volume. Si vous utilisez un émetteur AL1 avec son microphone interne, sachez que la qualité sonore finale dépend essentiellement du bon placement de l'émetteur. Nous vous conseillons de le placer conformément aux illustrations de cette page (pincez-le à une cravate ou à une poche de chemise ou portez-le autour du cou au moyen du cordon fourni en veillant à ne pas le couvrir par des vêtements).



# Configuration et utilisation des systèmes AirLine *Samson AirLine*

10 Chantez ou prononcez des mots dans le micro au niveau auquel ils devront l'être lors du concert ou de la conférence tout en relevant progressivement le niveau de l'entrée audio de l'amplificateur ou de la console de mixage jusqu'au volume souhaité. Le récepteur UM1 est pourvu d'un connecteur minijack de type baladeur de 30 Ohms vous permettant d'avoir le retour du signal de transmission. Sachez que ce sont les microphones unidirectionnels (micros pouvant uniquement capter les sons provenant d'une seule direction) comme le condensateur à électret intégré à l'émetteur AL1 qui sont les moins enclins au Larsen. Vous pouvez réduire encore davantage le risque de Larsen en veillant à ne pas utiliser de microphone directement face aux enceintes de sonorisation ou par l'emploi d'un égaliseur chargé d'atténuer les fréquences aiguës ou médiums incriminées.

11 Si vous entendez de la distorsion au volume souhaité, commencez par vérifier si le témoin "Peak" du récepteur est allumé. Si ce n'est pas le cas, vérifiez que la structure de gain de votre configuration est correcte (voir le mode d'emploi de l'amplificateur et/ou de la console de mixage pour de plus amples renseignements). Par contre, si le témoin "Peak" rouge s'allume, veuillez suivre la procédure ci-dessous :

- Si vous utilisez un émetteur main AX1, tournez lentement le potentiomètre Microphone Input Level vers la gauche (vers la position "Min") jusqu'à ce que la distorsion disparaisse.
- Si vous utilisez un émetteur AL1 avec son microphone à condensateur à électret interne, éloignez simplement le microphone de votre bouche. Si vous utilisez un AL1 avec un microphone cravate externe, tournez lentement le potentiomètre Gain vers la gauche au moyen du tournevis en plastique fourni jusqu'à ce que la distorsion disparaisse.

12 Inversement, si le son est faible et présente du bruit de fond au volume souhaité, vérifiez de nouveau la structure de gain de votre configuration audio (voir mode d'emploi de la console de mixage et/ou de l'amplificateur pour de plus amples renseignements), puis vérifiez que le potentiomètre Volume, Level ou AF Level du récepteur est bien tourné complètement à droite. Si c'est le cas et que le son est toujours de mauvaise qualité, veuillez suivre la procédure ci-dessous :

- Si vous utilisez un émetteur AX1, tournez lentement le potentiomètre Microphone Input Level vers la droite (vers la position "Max") jusqu'à ce que le signal atteigne un niveau acceptable.
- Si vous utilisez un émetteur AL1 avec son microphone à condensateur à électret interne, rapprochez simplement le microphone de votre bouche. Si vous utilisez un AL1 avec un microphone cravate externe, tournez lentement le potentiomètre Gain vers la droite au moyen du tournevis en plastique fourni jusqu'à ce que le signal atteigne un niveau acceptable.

13 Baissez temporairement le niveau de la console de mixage ou de l'amplificateur, mettez votre émetteur hors tension tout en laissant l'AR1 sous tension, puis ramenez la console de mixage ou l'amplificateur sur le niveau préalablement défini. Lorsque l'émetteur est éteint, le sortie du récepteur doit être absolument silencieuse – si c'est le cas, passez directement à l'étape suivante. Si ce n'est pas le cas (autrement dit, si vous entendez du bruit), ajustez le réglage de Squelch de l'AR1. C'est lorsque le Squelch est réglé au minimum que le système AirLine offre une portée maximale sans perte de signal. Toutefois, il peut arriver, en fonction de l'environnement d'utilisation, de devoir réduire cette portée afin d'éliminer le bruit de bande présent lorsque l'émetteur est éteint. Pour ce faire, ramenez le potentiomètre Squelch en position "Min" au moyen du tournevis en plastique fourni, puis tournez-le progressivement vers la droite jusqu'à ce que le bruit disparaisse. Si aucun bruit n'apparaît, quelle que soit la position dans laquelle se trouve le potentiomètre Squelch, laissez-le en position "Min" (potentiomètre tourné complètement à gauche). Vous bénéficiez alors de la portée maximale.

14 Lors de la première mise en service de votre système AirLine dans un nouvel environnement, nous vous conseillons de tester si la scène où vous devez donner un concert ou une conférence est couverte dans sa totalité. Pour ce faire, baissez le volume de votre système audio, puis mettez l'émetteur et le récepteur sous tension. Vérifiez que l'émetteur est bien activé (fonction Mute désactivée), puis chantez ou prononcez quelques mots tout en ramenant le système audio sur son niveau préalable et en parcourant la totalité de la zone à couvrir. Parallèlement, observez le témoin ou l'afficheur de niveau HF du récepteur (des récepteurs CR77 et UM1 doivent être allumés ; cela indique que les récepteurs reçoivent un signal HF suffisamment puissant). Réduisez toujours au minimum la distance séparant l'émetteur du récepteur afin que le récepteur puisse reprendre des signaux les plus puissants possibles depuis tous les points de transmission. Dans certains environnements, il peut s'avérer nécessaire d'incliner la ou les antennes. Pour les applications vidéo, nous vous recommandons l'emploi d'un récepteur Diversity Samson UM1.

Si vous rencontrez le moindre problème, n'hésitez pas à contacter votre distributeur Samson.

Willkommen bei Samson AirLine – dem Wireless-System fürs neue Jahrtausend! Funkmikrofon-Systeme wurden ursprünglich dazu entwickelt, sich der Notwendigkeit von Kabeln zu entledigen, was eine Bewegungsfreiheit sondergleichen ermöglichte. Durch AirLine erreicht dieses Konzept eine neue Stufe, die Sender sind so klein, leicht und aerodynamisch, dass sie fast unsichtbar sind und sie eine völlig uneingeschränkte Tragerfahrung vermitteln. Um die kleinsten Funküberträger der Welt bauen zu können, entwickelten wir neue eigene Technologien. Ausgezeichnet durch Miniatur-Schaltungen und die Fähigkeit, mit einer einzigen kleinen AAA-Batterie (ca. 14 Stunden Lebensdauer)) auszukommen, kennzeichnen diese Transmitter auch signifikante Verbesserungen von Übertragungs- und damit Klangqualität.

In diesem Bedienungshandbuch werden drei verschiedene Samson AirLine Systeme beschrieben. Alle arbeiten im 801 – 805 MHz UHF-Frequenzbereich und beinhalten einen CR77 Empfänger oder ein UM1 Micro-Diversity-Empfänger (optimiert für die Produktion professioneller Audio-Spuren für Videoaufzeichnung oder Live-Übertragung). Das AirLine UHF Microphone System besitzt einen AX1 Aufstecksender für beliebige Standardmikrofone. Das AirLine UHF Presentation System enthält einen AL1 Taschensender mit eingebauter Electret Kondensatorkapsel und Anschlussmöglichkeit für ein optionales Lavaliermikrofon.

In diesem Handbuch finden Sie eine detaillierter Beschreibungen der Features aller AirLine Systeme, ebenso wie einen Überblick über alle Komponenten, Schritt-für-Schritt-Anleitungen zur Einrichtung Ihres Systems und alle technischen Daten. Für den Fall, dass Sie Ihr AirLine System in den Vereinigten Staaten erworben haben, finden Sie beiliegend eine Garantiekarte – nicht vergessen auszufüllen und abzuschicken! Dies ermöglicht Ihnen den Zugang zum technischen Online-Support und erlaubt uns, Ihnen aktuelle Informationen über dieses und andere Samson Produkte in der Zukunft zuzusenden. Falls Sie Ihr AirLine System außerhalb der U. S. A. erworben haben, setzen Sie sich für Einzelheiten bezüglich der Garantie mit Ihrem lokalen Händler vor Ort in Verbindung. Besuchen Sie auf jeden Fall auch unsere Seite im Internet (<http://www.samsontech.com>) für umfassende Informationen über unsere ganze Produktpalette.

**SPEZIELLER HINWEISE für Käufer in den U. S. A.:** Sollte Ihr AirLine System je Wartung nötig haben, benötigen Sie eine Nummer zur Rücksende-Autorisation (Return Authorization Number, RA). Ohne diese wird das Gerät nicht angenommen. Für den Fall, dass Sie Ihr AirLine System in den Vereinigten Staaten erworben haben, besorgen Sie sich bei Samson unter 1-800-372-6766 vor dem Versenden Ihres Gerätes eine solche Nummer. Wenn möglich, lassen Sie uns bitte das Gerät Original-verpackt zukommen. Falls Sie Ihr AirLine System außerhalb der U. S. A. erworben haben, informieren Sie sich bei Ihrem lokalen Händler.

Falls Sie bereits Erfahrung mit Wireless-Systemen besitzen, handelt es sich bloß um einen Sache von Minuten, bis Sie mit Hilfe dieser Kurzanleitung Ihr System eingerichtet und in Betrieb gesetzt haben. Detaillierte Informationen zur Einrichtung und Bedienung Ihres AirLine Systems finden Sie auf Seite 53 dieses Handbuchs, und der Abschnitt „Überblick“ auf den Seiten 42 - 52 liefern vollständige Beschreibungen der Bedienelemente und Displays aller AirLine Komponenten.

1. Stellen Sie sicher, dass der gelieferte Empfänger und der AX1 oder AL1 Sender werkseitig auf den selben Kanal eingestellt sind.
2. Plazieren Sie den Empfänger dort, wo er betrieben werden wird und richten Sie seine Antenne(n) vertikal aus.
3. Schalten Sie Ihren UH1 Sender aus (Ein/Aus-Schalter in Position "Off", weg vom Pfeil), und setzen Sie eine frische Batterie ein. Schalten Sie den Sender wieder vorübergehend ein; die LED leuchtet einmal auf und geht wieder aus, sofern die Batterie ausreichend ist. Schalten Sie den Sender nach der Batteriekontrolle wieder aus.
4. Wenn Sie einen AX1 verwenden, schließen Sie dessen XLR-Verbinder an ein Mikrofon an; die Verbindung sollte dicht sein – benutzen Sie dazu die mitgelieferte Gummidichtung, wenn notwendig. Falls Sie den AL1 mit einem externen Lavaliermikrofon betreiben, stellen Sie die Kabelverbindung zwischen dem Eingang des Empfängers und dem Mikrofon her.
5. Schalten Sie Ihr Audio-System aus und stellen Sie die Kabelverbindung zwischen dem symmetrischen oder unsymmetrischen Ausgang des Empfängers (falls nötig, können beide gleichzeitig benutzt werden) und einem Eingang auf Mik-Pegel des Verstärkers oder Mixers her. Wenn Ihr System einen CR77 oder UM1 Empfänger enthält, stellen Sie sicher, dass dessen Schalter für den Audio-Ausgangspegel richtig eingestellt ist.
6. Drehen Sie die Volume, Level oder AF Level Regler ganz nach links. Schließen Sie den mitgelieferten Netzadapter an den Empfänger an und verbinden Sie ihn mit dem Netz (oder setzen Sie eine frische Batterie in den UM1 Empfänger ein), lassen Sie ihn aber im Moment noch ausgeschaltet.
7. Schalten Sie den Empfänger ein. Besitzen Sie ein System mit einem CR77 Empfänger, leuchtet dessen "Power"-LED dauerhaft rot. (Anmerkung: Der UM1 Empfänger hat keine solche LED.)



8. Schalten Sie jetzt Ihren Sender ein. Wenn Ihr System einen CR77 oder UM1 Empfänger enthält, leuchtet eine der "A/B Receiver"-LEDs, die Ihnen zeigt ob entweder der (linke) "A" oder der (rechte) "B" Empfänger momentan in Verwendung ist. Zusätzlich kann man anhand der Anzeige des CR77 / UM1 die Feldstärke des eingehenden RF-Signals ablesen.

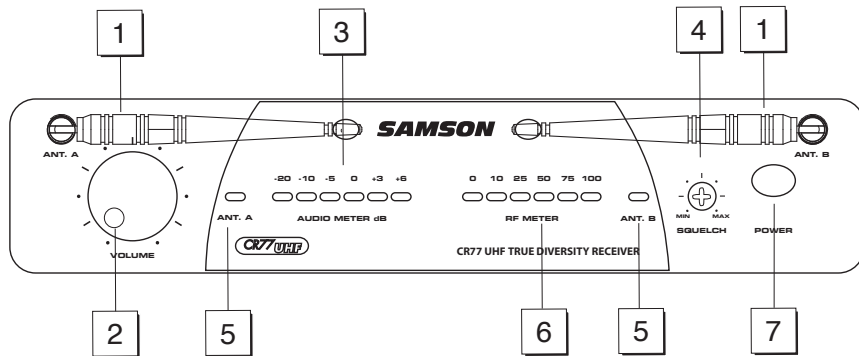
9. Schalten Sie Ihren angeschlossenen Verstärker und/oder Mischer ein, drehen dessen Volume aber ganz runter. Stellen Sie sicher, dass der AH1 Sender nicht stummgeschaltet ist. Drehen Sie Volume, Level oder AF Level ganz nach rechts; das ist dann Einheitsgain.

10. Sprechen oder singen Sie in Ihr Mikrofon (oder spielen Sie etwas auf dem Instrument, an welchem das Horn-Mikrofon befestigt ist) bei normaler Stärke, während Sie am Verstärker oder Mischer langsam den Regler für den Audio-Eingang bis zum gewünschten Pegel hochdrehen. Falls nötig, benutzen Sie den mitgelieferten Plastikschaubenzieher zur Justierung des Gain-Trimpotis am Sender, um dessen Signalpegel zu erhöhen oder abzusenken. Wenn Sie das eingebaute Mikrofon Ihres AL1 Senders verwenden, spielt die korrekte Platzierung für die Klangqualität eine große Rolle. Er sollte nicht von Kleidung bedeckt sein und entweder an Hemdtasche oder Revers befestigt sein, oder mit der mitgelieferten Befestigungsschnur um den Hals getragen werden.

11. Schreiten Sie den gewünschten Bereich ab, der erfasst werden soll, während Sie die "Power/RF"-LED oder die RF-Anzeige beobachten. Diese sollte dort überall ausreichenden RF-Empfang signalisieren. Ändern Sie die Position des Empfängers (oder dessen Antenne), wie es notwendig ist. Zur Erfassung eines größeren Empfangsbereiches sollte ein Samson CR77 oder UM1 True-Diversity-Empfänger verwendet werden (auf den gleichen Kanal eingestellt wie der Sender).

12. Sollten bei ausgeschaltetem Sender irgendwelche falschen Geräusche durch den Empfänger-Ausgang hörbar sein, können Sie mit Hilfe des mitgelieferten Schraubenziehers den Regler für den Mute-Pegel des Empfängers (Squelch) justieren. Drehen Sie den Regler dazu langsam im Uhrzeigersinn so weit, bis die Geräusche verschwinden.

# Übersicht - Empfänger CR77



**1: Antennen (A und B)** - Die Antennenhalter haben einen Drehradius von 360°, um eine optimale Aufstellung zu erlauben. Bei normalem Betrieb sollten die beiden Antennen A (links) und B (rechts) senkrecht aufgestellt werden. Die Antennen lassen sich zum Transport des CR77 einschieben. Weitere Informationen erhalten Sie unter „Konfiguration und Betrieb der AirLine-Systeme“ auf Seite 53 dieses Handbuches.

**2: Volume** - Mit diesem Regler stellen

Sie den Pegel des Audiosignals ein, welches über die symmetrierten und die unsymmetrierten Anschlüsse auf der Rückseite des Empfängers ausgegeben wird. Der Referenzpegel ist eingestellt, wenn der Regler am rechten Anschlag steht (Einstellung „10“).

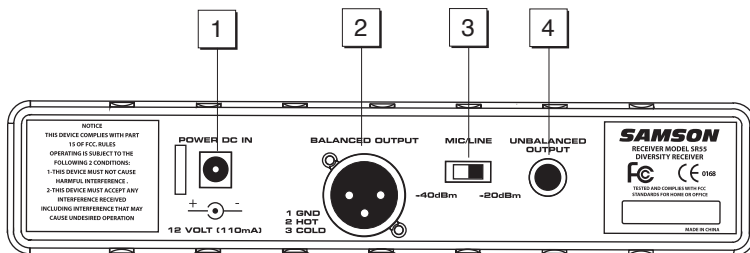
**3: Audio-Pegelanzeige** – Diese „Balken“-Anzeige (vergleichbar mit der VU Balkenanzeige von Audiogeräten) gibt die Stärke des eingehenden Audiosignals an. Wenn das „0“ Segment leuchtet, ist das eingehende Signal auf Unity Gain optimiert. Wenn das „+6“ Segment leuchtet, überlastet das Signal den Eingang. Wenn nur das „-20“\_Segment ganz links leuchtet, besitzt das Signal nur 10% seiner optimalen Stärke. Wenn keine Segmente leuchten, wird nur ein schwaches oder kein Signal empfangen. Weitere Informationen erhalten Sie unter „Konfiguration und Betrieb der AirLine-Systeme“ auf Seite 53 dieses Handbuches.

**4: Squelch** - Dieser Regler bestimmt den maximalen Empfangsbereich des CR77 vor dem Abschneiden des Audiosignals. Obwohl Sie den Regler mit Hilfe des beiliegenden Plastiksraubdrehers einstellen können, empfehlen wir Ihnen, die werksseitige Einstellung beizubehalten. Weitere Informationen erhalten Sie unter „Konfiguration und Betrieb der AirLine-Systeme“ auf Seite 53 dieses Handbuchs.

**5: A/B-LEDs** - Wenn ein Signal empfangen wird, leuchtet eine dieser beiden LEDs grün auf und zeigt so an, welche der beiden Antennen A (links) und B (rechts) gerade verwendet wird. Der CR77 prüft das Empfangssignal beider Antennen kontinuierlich und wählt automatisch das stärkere und damit klarere Empfangssignal aus. Diese True Diversity-Schaltung arbeitet vollständig unhörbar, erhöht jedoch die Gesamtreichweite und verhindert zuverlässig Interferenzen und Phasenauslöschungen.

**6: RF Level-Anzeige** - Diese 6 segmentige Anzeige arbeitet ähnlich wie die Aussteuerungsanzeige bei Audiogeräten und zeigt die Stärke des empfangenen Trägersignals an. Wenn alle Segmente leuchten, hat das empfangene Signal optimale Stärke. Wenn nur das Segment ganz links leuchtet, ist das empfangene Signal sehr schwach. Leuchtet kein Segment, so wird überhaupt kein Signal empfangen. Vergewissern Sie sich in diesem Fall, daß der Sender eingeschaltet und auf den gleichen Kanal eingestellt ist wie der CR77. Weitere Informationen erhalten Sie unter „Konfiguration und Betrieb der AirLine-Systeme“ auf Seite 53 dieses Handbuchs.

**7: Netzschalter** - Mit diesem Schalter schalten Sie den CR77 ein und aus. Wenn das Gerät eingeschaltet ist, leuchtet die Power-LED.

**1: Anschluß für das Netzteil -**

Schließen Sie hier das beiliegende Netzteil wie unten dargestellt an.

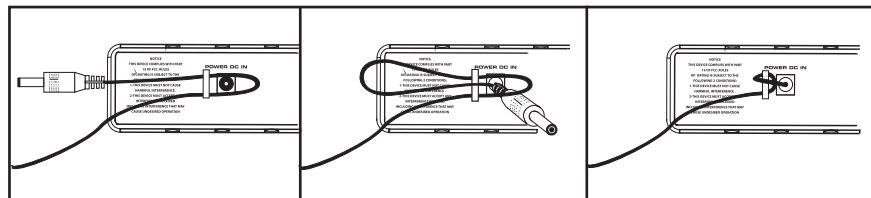
**ACHTUNG:** Verwenden Sie niemals ein anderes als das beiliegende Netzgerät, da ansonsten der CR77 beschädigt werden könnte und Ihre Garantie erlischt.

**2: Audioausgang (unsymmetriert)\***

- Verbinden Sie Audiogeräte, an die Signale mit einem Pegel von  $-10$  dB (Consumer-Pegel) angeschlossen werden müssen, über diesen Anschluß mit dem CR77. Die Ausgangsimpedanz beträgt  $5$  kOhms.

**3: Einstellschalter für den**

**Ausgangspegel** - Mit diesem Schalter stellen Sie die Abschwächung des Ausgangssignals für den symmetrierten



Ausgang (4) auf  $-20$  dBm (Line-Pegel) oder  $-40$  dBm (Mikrofonpegel) ein. Weitere Informationen erhalten Sie unter „Konfiguration und Betrieb der AirLine-Systeme“ auf Seite 53 dieses Handbuchs.

**4: Audioausgang (symmetriert)\*** - Verbinden Sie Audiogeräte, an die Signale mit einem Pegel von  $+4$  dB (Professional-Pegel) angeschlossen werden müssen, über diesen Anschluß mit dem CR77. Die Ausgangsimpedanz beträgt  $600$  Ohms. Die Belegung der Stifte ist wie folgt: Pin 1 - Erde; Pin 2 - +Pol; Pin 3 - -Pol.

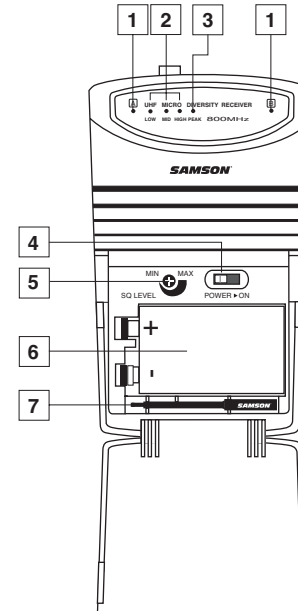
\* Falls notwendig, können Sie den unsymmetriert und den symmetrierten Ausgang gleichzeitig verwenden.

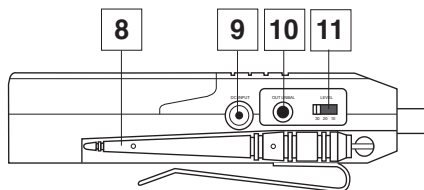
**1. A/B Empfänger-LEDs** - Wenn ein Signal empfangen wird, leuchtet eine dieser beiden LEDs orange auf und zeigt Ihnen so an, welche der beiden Empfänger A (links) oder B (rechts) gerade verwendet wird. Der UM1 prüft das Eingangssignal beider Antennen kontinuierlich und wählt automatisch das stärkere und damit klarere Empfangssignal aus. Diese Microprocessor True-Diversity-Schaltung arbeitet vollständig lautlos, erhöht jedoch die Gesamtreichweite und verhindert zuverlässig Interferenzen und Phasenauslöschungen.

**2. Aussteuerungsanzeige** - Diese aus drei bunten Kontrolllampen bestehende LED-Kette arbeitet wie eine Aussteuerungsanzeige, die entweder die Batterieleistung oder die Stärke des empfangenen RF-Signals anzeigt. Diese Anzeige kann auch komplett deaktiviert werden, um die Batterielebensdauer zu verlängern. Weitere Informationen erhalten Sie unter Nr 15 auf der nachfolgenden 43.

**3. Peak-LED** - Diese LED leuchtet rot auf, sobald das Ausgangssignal des UM1 an seinen Grenzwert angelangt ist (dieser Moment ist erreicht, wenn das Signal am Rand der Verzerrung ist). Wenn Sie die LED während der Bedienung aufleuchten sehen, entfernen Sie etwas das Mikrofon, oder vermindern Sie den Ausgangspegel Ihres Instrumentes oder Senders. Weitere Informationen erhalten Sie unter „Konfiguration und Betrieb der AirLine-Systeme“ auf Seite 53 dieses Handbuchs.

**4. Netzschalter** - Benutzen Sie diesen Schalter, um den UM1 ein- und auszuschalten.





**5. SQL-(„Squelch“)-Regler** - Dieser Regler bestimmt den maximalen Empfangsbereich des UM1 vor dem Abschneiden des Audiosignals. Obwohl Sie den Regler mit Hilfe des beiliegenden Plastikschaubdrehers einstellen können, empfehlen wir Ihnen, die werkseitige Einstellung beizubehalten. Weitere Informationen erhalten Sie unter „Konfiguration und Betrieb der AirLine-Systeme“ auf Seite 53 dieses Handbuchs.

**6. Batteriefach** - Legen Sie eine normale 9-Volt-Batterie ein, wobei Sie auf die Polaritäten der Batterie (+ und -) achten müssen. Obwohl Sie wiederaufladbare

Batterien (NiCad-Akkus) verwenden können, reduziert deren Verwendung die maximale Betriebszeit auf nicht mehr als vier Stunden.

**WARNUNG:** Legen Sie die Batterien niemals umgekehrt in das Fach ein, da ansonsten der UM1 beschädigt werden könnte, und Ihre Garantie erlischt.

**7. Plastikschaubdreher** - Dieser Schraubdreher wurde speziell für die Einstellung des SQL-Reglers (s. Nr 4 ) vorgesehen. Weitere Informationen erhalten Sie unter „Konfiguration und Betrieb der AirLine-Systeme“ auf Seite 53 dieses Handbuchs.

**8. Antennen (A und B)** - Die Antennen haben einen Drehradius von 360°, um eine optimale Aufstellung zu ermöglichen. Bei normalem Betrieb sollten die beiden Antennen senkrecht aufgestellt werden. Beide Antennen lassen sich zum Transport des UM1 einschieben. Weitere Informationen erhalten Sie unter „Konfiguration und Betrieb der AirLine-Systeme“ auf Seite 53 dieses Handbuchs.

**9. DC-Eingang** - Dieser Anschluß erlaubt Gleichstrom von 6-13 Volt von Ihrer Videokamera zu erhalten (+ - Inneres; - - Äußeres). Schließen Sie auf Wahl den Samson AC300R Adapter an diesen Eingang an, um eine aufladbare 9-Volt NiCad-Batterie wieder aufzuladen.

**10. Ausgang (unsymmetriert)\*** - Benutzen Sie diesen 3,5 mm Mini-Anschluß (1 KOhm max.), wenn Sie den UM1 mit Audiogeräten, die einen Pegel von -10 dBu (Consumer-Pegel) benötigen, verbinden möchten.

**11. Audio-Ausgangspegelregler** - Dieser Regler stellt den Audio-Ausgangspegel des symmetrierten und unsymmetrierten Ausgangs (s. Nr 10 und Nr 14) auf -30 dBm (Mikrofonpegel), -20 dBm oder -10 dBm (Line-Pegel) ein. Weitere Informationen erhalten Sie unter „Konfiguration und Betrieb der AirLine-Systeme“ auf Seite 53 dieses Handbuchs.

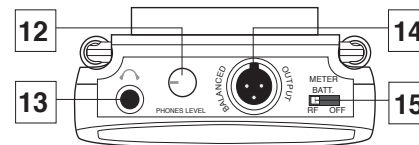
**12. Lautstärkeregl**er - Diese Taste regelt den Pegel des Audiosignals, das dem Kopfhörer-Ausgang zugesendet wird (s. unter Nr 13).

**13. Kopfhörer-Ausgang** - Verbinden Sie einen Stereo-Kopfhörer mit diesem 3,5 mm Mini-Anschluß, um das vom UM1 ausgehende Signal zu empfangen. Wir empfehlen die Benutzung von 30 Ohm-Kopfhörer. Der Pegel des Kopfhörersignals kann mit Hilfe des Pegelreglers (s. unter Nr 12) eingestellt werden. Der maximaler Ausgangswert ist 240 mW @ 30 Ohm.

**14. Ausgang (symmetriert)\*** - Benutzen Sie diesen elektronisch unsymmetrierten Mini-XLR-Anschluß, wenn Sie den UM1 mit einer fachlichen (+4dBu) Audio-Ausstattung verbinden. Die Impedanz beträgt 600 Ohm. Die Belegung der Stifte ist wie folgt: Pin 1 Erde, Pin 2 Plus-Pol und Pin 3 Minus-Pol.

**15. Aussteuerungsanzeigetaste** - Diese Taste besitzt drei Einstellungsmöglichkeiten, die die Funktion der auf der Vorderseite befindlichen Aussteuerungsanzeige bestimmt (s. unter Nr 2 der vorherigen 49). Durch die linke „RF“-Einstellung zeigt die Aussteuerungsanzeige die Stärke des empfangenen RF-Signals an. Durch die mittlere „BATTERY“-Einstellung zeigt sie die Batterieleistung an, indem sie angibt, ob die Batteriestärke niedrig „low“ (rot), mittelmäßig „mid“ (gelb) oder hoch „high“ (grün) ist. (Bemerkung: Wenn die rote („low“) Anzeige leuchtet, schwächt die Leistung ab, und die Batterie muß ausgewechselt werden.) Die rechte „OFF“-Einstellung schaltet die gesamte Aussteuerungsanzeige aus und verlängert somit die Batterieleistung.

*\* Falls notwendig, können Sie den unsymmetrierten und symmetrierten Ausgang gleichzeitig benutzen.*

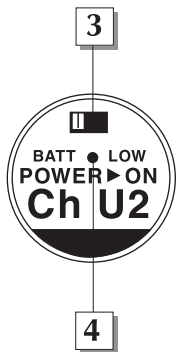
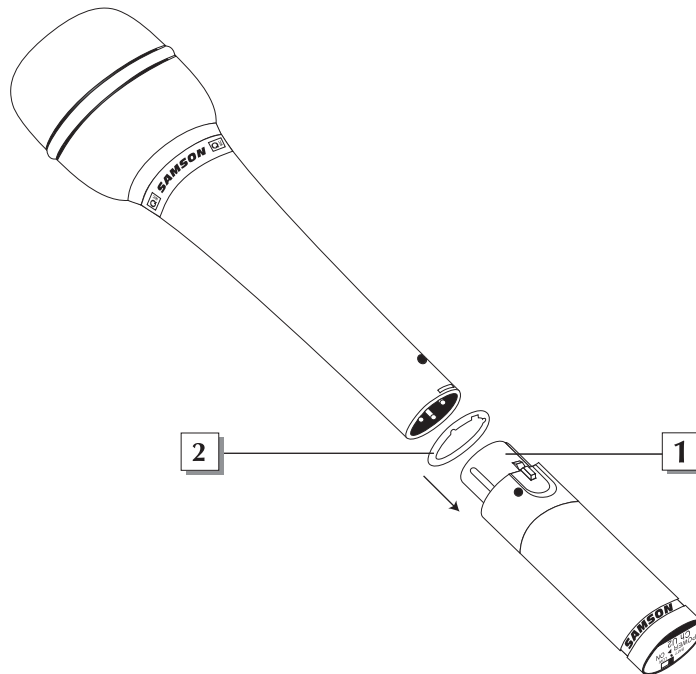


# Übersicht - Hand-Sender AX1

**1: XLR Anschluss** - Sie können irgendein standardmäßiges Dynamik-Mikrofon in ein drahtloses Mikrofon umwandeln, indem Sie es mit diesem XLR-Anschluss verbinden.

**2. Gummidichtung** - Wenn nötig, nehmen Sie die Verbindung zwischen dem XLR-Anschluss des AR1 und den Mikrofon mit der beiliegenden Gummidichtung vor (diese Dichtung ist nicht für alle Mikrofone nötig).

**3. Netzschalter (Power)** - Wenn Sie diesen Schalter in Richtung des Pfeils drücken schaltet den AR1 ein. Drücken Sie ihn in die andere Richtung, um ihn auszuschalten. Um die Batterieleistung nicht zu verschwenden, vergessen Sie nicht den AX1 auszuschalten, sobald Sie ihn nicht mehr verwenden. Vergessen Sie auch nicht das Audio-Signal am Mischpult oder Verstärker abzuschalten, bevor Sie den AX1 ein- oder ausschalten, um unangenehmes Rauschen zu vermeiden.



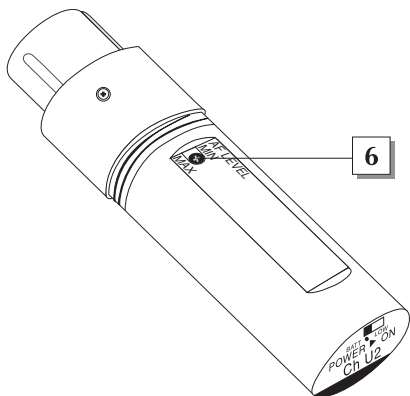


# Übersicht - Hand-Sender AX1

Samson AirLine

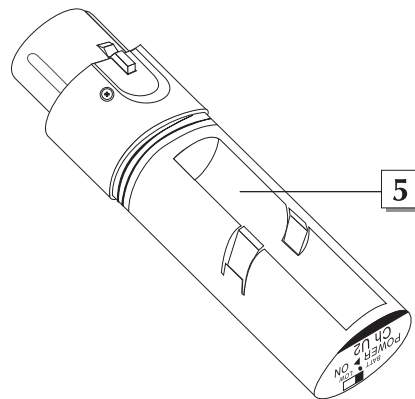
**4. Power On/Off Anzeige** - Diese Anzeige blinkt beim Einschalten des AX1 einmal auf, und leuchtet dann rot. Sie fängt jedoch an zu blinken, wenn nur 2 Stunden Lebensdauer der Batterie übrigbleibt. Wechseln Sie dann die Batterie.

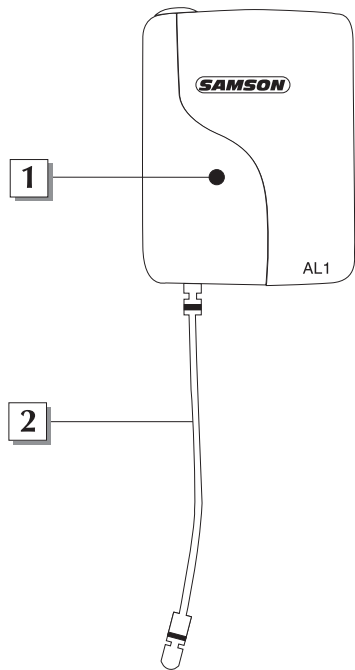
**5. Batteriefach** - Legen Sie eine normale Alkalin-Batterie AAA ein, wobei Sie auf die Polaritäten achten. Wir empfehlen Ihnen die Duracell-Batterien. Obwohl Sie wieder-aufladbare Batterien (NiCad-Akkus) verwenden können, reduziert deren Verwendung die maximale Betriebszeit auf nicht mehr als vier Stunden. **ACHTUNG:** Legen Sie die Batterien niemals umgekehrt in das Fach ein, da ansonsten der AX1 beschädigt werden könnte, und Ihre Garantie erlischt.



## 6. Mikrofon-Eingangspegelregler

- Benutzen Sie wenn nötig den Plastikschraubendreher, um die Empfindlichkeit am Eingang des AX1 durch diesen Regler zu erhöhen oder erniedrigen. Weitere Informationen erhalten Sie unter „Konfiguration und Betrieb der AirLine-Systeme“ auf Seite 53 dieses Handbuchs.



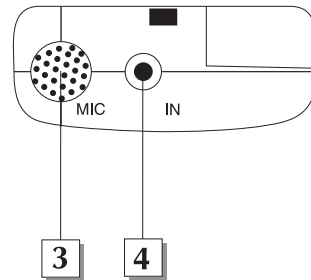


**1: Anzeige der Lebensdauer der Batterie** - Diese Anzeige blinkt einmal beim ersten Einschalten des AL1. Sonst sollte sie rot leuchten. Sie fängt jedoch an zu blinken, wenn nur 2 Stunden Lebensdauer der Batterie übrigbleibt. Wechseln Sie dann die Batterie.

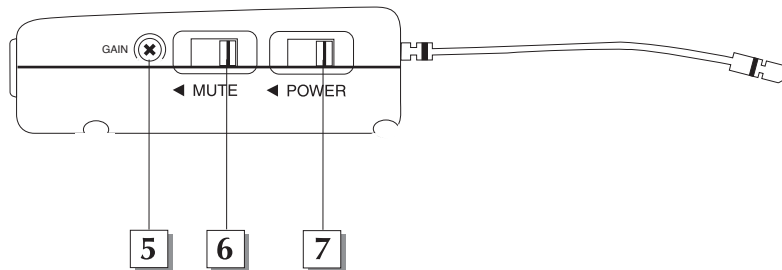
**2. Antenne** - Bei normaler Benutzung sollte die Antenne ganz heraus gezogen sein. Weitere Informationen über die Position der Antenne erhalten Sie unter „Konfiguration und Betrieb der AirLine-Systeme“ auf Seite 53 dieses Handbuchs.

**3. Kondensator-Mikrofon mit Elektret** - Ein Kondensator-Mikrofon mit gleichgerichtetem Elektret von großer Qualität, der für die optimisierte Wiedergabe der Reden einen metallischen Anti-Wind Schirm besitzt. Diese Mikrofon wird durch das Einschalten des AL1 aktiviert, ausser, wenn ein externes Ansteck-Mikrofon mit dem Mikrofon-Eingangsanschluss verbunden ist (Siehe N.4 hierunter). Wenn Sie das Ansteck-Mikrofon an den Mikrofon-Eingangsanschluss anschließen, wird das innere Mikrofon deaktiviert.

**4. Eingangsanschluss für Ansteck-Mikrofon** - Verbinden Sie jedes dem AL1 externen Ansteck-Mikrofon mit diesem standard Mini-Buchsenanschluss 2,5 mm. Bemerkung: Da der AL1 mit einem Kondensator-Mikrofon mit innerem Elektret (Siehe N.3 hierüber) besetzt ist, ist es nicht notwendig ein externes Ansteck-Mikrofon zu benutzen. Der AL1 führt einen Phantom-Strom von 2,7 V, der Ihnen erlaubt auch Kondensator-Mikrofone zu benutzen.



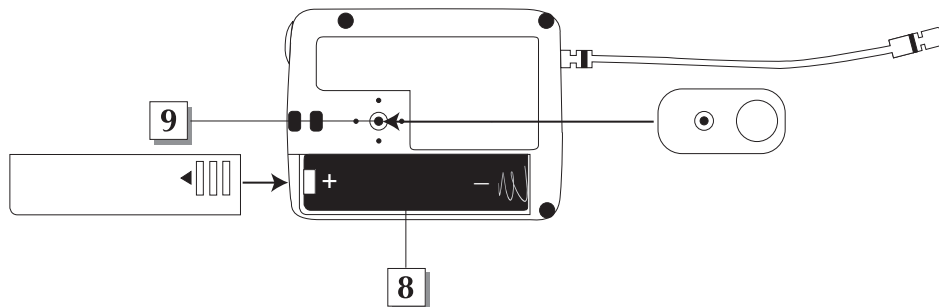
# Übersicht - Presentation-Sender AL1 *Samson AirLine*



**5: Einstellregler des Gains** - Benutzen Sie wenn nötig den Plastikschaubdreher, um die Empfindlichkeit am Eingang des AL1 durch diesen Regler zu erhöhen oder erniedrigen. Weitere Informationen erhalten Sie unter „Konfiguration und Betrieb der AirLine-Systeme“ auf Seite 53 dieses Handbuchs.

**6. Mute-Schalter** - Wenn Sie den Mute-Schalter in die Richtung des Pfeils drücken, (Mute) schalten Sie den AL1 stumm. Wenn Sie ihn in die andere Richtung drücken, wird der AL1 wieder aktiviert, und kann ein Audio-Signal senden. Da das Trägersignal durch den Mute-Schalter nicht beeinflusst ist, tritt kein Rauschen beim Betrieb auf. Bemerkung: Das Mikrofon wird nicht durch den Mute-Schalter ausgeschaltet. Er erlaubt nur, die Übertragung des Audio-Signals zeitweilig zu unterbrechen. Wenn der AL1 eine längere Zeit nicht benutzt wird, ist es besser, ihn mit Hilfe des Netzschalters (Siehe N.7) auszuschalten. Vergessen Sie nicht das Audio-Signal stummzuschalten oder dessen Pegel am Mischpult oder Verstärker völlig herunterzudrehen, bevor Sie den AL1 ein- oder ausschalten, da er sonst rauscht.

**7. Netzschalter (Power)** - Wenn Sie diesen Schalter in Richtung des Pfeils drücken, schalten Sie den AL1 ein. Drücken Sie ihn die die andere Richtung, um ihn auszuschalten. Um die Batterieleistung nicht zu verschwenden, vergessen Sie nicht den AL1 auszuschalten, sobald Sie nicht mehr verwenden.



**8: Batteriefach** - Legen Sie eine normale Alkalin-Batterie AAA ein, wobei Sie auf die Polaritäten achten. Wir empfehlen Ihnen die Duracell-Batterien. Obwohl Sie wiederaufladbare Batterien (NiCad-Akkus) verwenden können, reduziert deren Verwendung die maximale Betriebszeit auf nicht mehr als vier Stunden. **ACHTUNG:** Legen Sie die Batterien niemals umgekehrt in das Fach ein, da ansonsten der AL1 beschädigt werden könnte, und Ihre Garantie erlischt.

**9. Klammer** - Befestigen Sie den AL1 an eine Kravatte, einer Hemdtasche oder an der beiliegenden Kordel mit Hilfe dieser Klammer. Sie können diese Klammer in die gewünschte Position drehen, indem Sie leicht die mittlere Schraube lockern. Es ist möglich, sie ganz aufzudrehen, indem Sie die mittlere Schraube abziehen. Weitere Informationen über die Position des AL1 erhalten Sie unter „Konfiguration und Betrieb der AirLine-Systeme“ auf Seite 53 dieses Handbuchs.

# Konfiguration und Betrieb der AirLine-Systeme

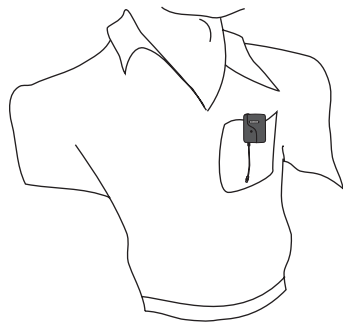
Die wesentlichen Schritte, die erforderlich sind, um Ihr AirLine System einzurichten und verwenden zu können, bedürfen nur weniger Minuten:

1. Damit Ihr AirLine System korrekt arbeitet, müssen Empfänger und Sender auf den gleichen Kanal eingestellt sein. Entfernen Sie alles Verpackungsmaterial (behalten Sie sie jedoch für eventuelle Wartungs-/Reparaturarbeiten), und überprüfen Sie sicherheitshalber noch einmal, ob der gelieferte Empfänger und Sender auf den gleichen Kanal eingestellt sind (einen vollständiger Kanalbelegungsplan finden Sie gedruckt innen auf der hinteren Umschlagseite dieser Anleitung). Stimmen diese Kanäle nicht überein, setzen Sie sich mit Ihrem Händler oder, falls in den Vereinigten Staaten erworben, dem Technischen Support von Samson unter 1-800-372-6766 in Verbindung.
2. Plazieren Sie den Empfänger dort, wo er verwendet wird (als allgemeine Faustregel kann das Aufrechterhalten der Sichtlinie zwischen Empfänger und Sender gelten, so dass also die Person, die den Sender trägt, den Empfänger sehen kann). Der CR77 kann, wenn gewünscht, mittels des optionalen Samson Adapter Kits in ein Rack eingebaut werden (benötigt 1/2 HE). Der UM1 kann mit Hilfe des mitgelieferten Velcro-Bandes an einer Video-Kamera befestigt werden.
3. Ziehen Sie Empfänger-Antenne(n) aus, und richten Sie sie vertikal aus. Stellen Sie sicher, dass der Ein/Aus-Schalter am Sender auf "Off" steht.
- 4a. Verwenden Sie ein System mit einem AX1 Aufstecksender, schrauben Sie das untere Geräteteil auf (gegen den Uhrzeigersinn drehen) und schieben es beiseite.
- 4b. Verwenden Sie ein System mit einem AL1 Taschensender, drehen Sie es herum und schieben die Batterieklappe beiseite.
5. Setzen Sie eine frische AAA Alkaline-Batterie in das Sender-Batteriefach ein, wobei Sie auf die Polaritäts-Markierungen Acht geben müssen. Benutzen Sie einen AX1 Sender, schieben sie das untere Geräteteil wieder drauf und schrauben es wieder an. Bei Verwendung eines AL1 Senders schieben Sie die Batterieabdeckung wieder drauf, bis es klickt. In beiden Fällen lassen Sie den Sender vorübergehend ausgeschaltet.
6. Stellen Sie die Kabelverbindung zwischen der Empfänger-Ausgangsbuchse und einem Audio-Eingang auf Mik-Pegel am Verstärker oder Mischer her. Der symmetrierten XLR-Buchse ist der Vorzug zu geben, da sie ein elektromagnetisch klareres Signal liefert. Falls nötig, können der symmetrische und unsymmetrische Ausgang gleichzeitig benutzt werden. Enthält Ihr System einen CR77 oder UM1 Empfänger, stellen Sie sicher, dass dessen Schalter für den Audio-Ausgangspegel richtig eingestellt ist (siehe Seiten 44 und 46 für Näheres). Lassen Sie Ihren Verstärker (und/oder Mischer) vorläufig noch ausgeschaltet.

7. Drehen Sie die Volume, Level oder AF Level Regler am Empfänger ganz nach links. Schließen Sie den mitgelieferten Netzadapter an den CR77 Empfänger an und verbinden Sie ihn mit einer Standard-Netzsteckdose (der UM1 Empfänger kann auch per Batterie oder der 12 V Stromversorgung einer angeschlossenen Video-Kamera versorgt werden). Schieben Sie den Ein/Aus-Schalter in Richtung des Pfeils, um den Empfänger einzuschalten. Besitzen Sie ein System mit einem einen CR77 Empfänger, leuchtet dessen "Power" LED rot. (Anmerkung: Der UM1 Empfänger hat keine "Power" LED-Anzeige.)

8. Schalten Sie jetzt Ihren AH1 Sender ein (per Ein/Aus-Schalter); falls die Batterie voll genug ist, blinkt die "Power/Batterie" LED (wenn sie leuchten bleibt, bleiben der Batterie noch weniger als 2 Stunden, und sie sollte ausgetauscht werden). Besitzen Sie ein System mit einem CR77 oder UM1 Empfänger, leuchtet eine der "A/B Receiver" LEDs, je nachdem, ob der (linke) "A" oder der (rechte) "B" Empfänger gerade verwendet wird. Darüber hinaus können Sie auf der Anzeige des CR77 / UM1 die Feldstärke des ankommenden RF-Signals ablesen.

9. Jetzt sollten die Audio-Pegel eingestellt werden. Schalten Sie Ihren angeschlossenen Verstärker und/oder Mischer ein, regeln aber Volume ganz herunter. Bei Verwendung eines AL1 Senders stellen Sie sicher, dass er nicht stummgeschaltet ist (dazu muss der dessen Mute-Schalter vom Pfeil weg positioniert sein). Drehen Sie dann Volume, Level oder AF Level am Empfänger ganz nach rechts; das ist dann Einheitsgain. Benutzen Sie das eingebaute Mikrofon des AL1, beachten Sie, dass die korrekte Platzierung des Senders für die Klangqualität eine große Rolle spielt. Wir empfehlen Ihnen, ihn wie auf den Abbildungen auf dieser Seite gezeigt anzubringen – unbehindert von Kleidung und entweder an Hemdtasche oder Revers befestigt, oder mit Hilfe der mitgelieferten Befestigungsschnur um den Hals getragen.



10. Sprechen oder singen Sie in Ihr Headset-Mikrofon (oder spielen Sie etwas auf dem Instrument, an welchem das Horn-Mikrofon befestigt ist) bei normaler Stärke, während Sie am Verstärker oder Mischer langsam den Regler für den Audio-Eingang bis zum gewünschten Pegel hochdrehen. Der UM1 Empfänger erlaubt das Mithören des Übertragungssignals mittels Standard 30 Ohm Walkman-Kopfhörern an dessen Kopfhörer-Buchse. Beachten Sie, dass unidirektionale Mikrofone (Mikros, die ihr Signal nur aus einer Richtung aufnehmen) wie die eingebaute AL1 Electret Kondensatorkapsel weniger zur Rückkopplung neigen als andere Mikrontypen. Probleme mit Rückkopplung können minimiert werden, indem die Mikrofone nicht direkt vor einem PA-Lautsprecher benutzt werden oder ein Equalizer dazu benutzt wird, die die störenden Rückkopplungs-Geräusche verursachenden Höhen- oder Mittenfrequenzen abzuschwächen.

11. Wenn beim gewünschten Volume-Pegel Verzerrungen hörbar sind, überprüfen Sie zuerst, ob die "Peak" LED am Empfänger leuchtet. Falls nicht, versichern Sie sich, dass die Verstärkungs-Systematik Ihres Audio-System korrekt eingerichtet ist (für nähere Informationen schlagen Sie im Benutzerhandbuch Ihres Mixers und/oder Verstärkers). Brennt die "Peak" LED, gehen Sie folgendermaßen vor:

- Bei Verwendung eines AX1 Senders drehen Sie mit Hilfe des mitgelieferten Plastik-Schraubenziehers den Regler (Trimpoti) für den Mikrofon-Eingangspegel langsam gegen den Uhrzeigersinn (in Richtung "Min"-Position), bis die Verzerrung verschwindet.
- Bei Verwendung eines AL1 Senders zusammen mit dessen internen Electret Kondensatormikrofon halten Sie das Mikrofon einfach etwas weiter vom Mund weg. Verwenden Sie dagegen den AL1 mit einem externen Lavaliermikrofon, drehen Sie mit Hilfe des mitgelieferten Plastik-Schraubenziehers den Gain-Regler (Trimpoti) langsam gegen den Uhrzeigersinn, bis die Verzerrung verschwindet.

12. Wenn Sie umgekehrt bei gewünschtem Volume-Pegel nur ein schwaches, verrauschtes Signal zu hören bekommen, überprüfen Sie ebenso die korrekte Einrichtung der Verstärkungs-Systematik Ihres Audio-Systems (für nähere Informationen schlagen Sie im Benutzerhandbuch Ihres Mixers und/oder Verstärkers nach). Stellen Sie auch sicher, dass der Volume-Regler am rechten Anschlag ist. Falls dem so ist und das vom Empfänger kommende Signal immer noch schwach und/oder verrauscht ist, gehen Sie folgendermaßen vor:

- Bei Verwendung eines AX1 Senders drehen Sie mit Hilfe des mitgelieferten Plastik-Schraubenziehers den Regler (Trimpoti) für den Mikrofon-Eingangspegel langsam im Uhrzeigersinn (in Richtung "Max"-Position), bis das Signal einen akzeptablen Pegel erreicht.
- Bei Verwendung eines AL1 Senders zusammen mit dessen internen Electret Kondensatormikrofon halten Sie das Mikrofon einfach etwas näher an Ihren Mund. Verwenden Sie dagegen den AL1 mit einem externen Lavaliermikrofon, drehen Sie mit Hilfe des mitgelieferten Plastik-Schraubenziehers den Gain-Regler (Trimpoti) langsam im Uhrzeigersinn, bis das Signal einen akzeptablen Pegel erreicht.

13. Regeln Sie vorübergehend den Pegel Ihres Mischer-/Verstärker-Systems herunter, und schalten Sie Ihren Sender aus; der Empfänger bleibt an. Stellen Sie dann wieder den vorherigen Pegel am Mischer/Verstärker ein. Bei ausgeschaltetem Sender sollte das Empfänger-Signal absolut geräuschlos sein – falls das der Fall sein sollte, gehen Sie zum nächsten Schritt. Wenn dem nicht so ist (d. h., falls Sie Rauschen hören), müssen Sie eventuell den Mute-Regler am Empfänger (Squelch) nachjustieren. Ist der Mute-Regler in Minimalstellung, hat Ihr AirLine System Maximalreichweite ohne Ausfälle; abhängig von der jeweiligen Umgebung, in der Sie Ihr System benutzen, kann es jedoch notwendig werden, diese Reichweite etwas zu vermindern, um Bandrauschen zu eliminieren, wenn der AH1 Sender ausgeschaltet wird. Verwenden Sie hierfür den mitgelieferten Schraubenzieher, um den Mute-Regler (Squelch) ganz nach links (gegen den Uhrzeigersinn) zu drehen ("Min" Position). Drehen Sie ihn dann langsam nach rechts, bis das Rauschen verschwindet. Ist bei keiner Reglerstellung Rauschen zu vernehmen, lassen Sie ihn ganz gegen den Uhrzeigersinn auf der "Min" Position gedreht (womit die Gesamtreichweite am größten wird).

14. Wenn Sie Ihr AirLine System zum ersten Mal in einer neuen Umgebung einrichten, ist es nicht die schlechteste Idee, durch einen kleinen Spaziergang sicherzustellen, dass der gesamte Aufführbereich erfasst wird. Dementsprechend senken Sie den Pegel Ihres Audio-Systems und schalten Sender und Empfänger ein. Stellen Sie dann bei nicht stummgeschaltetem Sender den ursprünglichen Pegel Ihres Audio-Systems wieder her, und schreiten Sie, während Sie reden oder singen, den abzudeckenden Bereich ab. Dabei beobachten Sie die RF-Anzeige am Empfänger, um sicherzustellen, dass er ein ausreichend starkes RF-Signal empfängt (beim CR77 oder UM1 Empfänger sollten alle Segmente der RF-Pegelanzeige an sein). Versuchen Sie immer, die Distanz zwischen Sender und Empfänger möglichst gering zu halten, so dass von allen beabsichtigten Sendestellen das stärkstmögliche Signal empfangen wird. In manchen Umgebungen kann es wünschenswert sein, die Empfängerantenne(n) anders als vertikal auszurichten. Wo größere Bereiche erfasst werden müssen, sollte der Samson CR77 True-Diversity-Empfänger (auf den gleichen Kanal eingestellt wie der Sender) verwendet werden. Für Video-Anwendungen sollten Sie den Samson UM1 Micro-Diversity-Empfänger benutzen.

Wenn Sie alle Schritte durchgeführt haben und trotzdem Schwierigkeiten auftauchen, setzen Sie sich mit Ihrem lokalen Händler in Verbindung oder, falls das System in den Vereinigten Staaten erworben wurde, rufen Sie den technischen Support von Samson (1-800-372-6766) zwischen 9 Uhr vormittags und 5 Uhr nachmittags an (EST).



¡Bienvenido al Samson AirLine – el sistema inalámbrico para el nuevo milenio! Los micrófonos y los sistemas de instrumentos inalámbricos fueron desarrollados originalmente para eliminar los cables y ofrecer una libertad de movimientos incomparable. El AirLine lleva este concepto a un nuevo nivel haciendo que los transmisores sean tan pequeños, ligeros y aerodinámicos que sean prácticamente invisibles, lo que le da al usuario una experiencia de total “libertad real”. Para crear los transmisores inalámbricos más pequeños del mundo, hemos desarrollado una tecnología nueva y exclusiva. Gracias a una circuitería en miniatura y a la capacidad de funcionar con una única pila pequeña de tipo AAA (con una duración media de 14 horas), estos transmisores también ofrecen una mejora en cuanto a recepción inalámbrica y calidad de sonido.

En este manual se describen dos sistemas Samson AirLine distintos. Todos ellos funcionan en el rango de frecuencias 801 - 805 MHz UHF y disponen del receptor CR77 o un receptor de microdiversidad UM1 (mejorado para la producción de pistas de audio profesionales para acompañar a secuencias de vídeo o emisiones en directo). El sistema AirLine UHF Microphone consta de un transmisor de micro AX1, que se conecta en cualquier micrófono dinámico standard. El sistema AirLine UHF Presentation dispone del transmisor AL1, que contiene un micrófono condensador electreto interno y la conexión para un micrófono lavalier opcional.

En este manual encontrará una descripción detallada de todas las características y funciones de todos los sistemas AirLine, así como recorridos guiados a través de todos sus componentes, instrucciones paso-a-paso para la configuración y ajuste de su sistema y un completo cuadro de especificaciones técnicas. Si su sistema AirLine fue adquirido en los Estados Unidos, también encontrará una tarjeta de garantía – ¡no olvide rellenarla y devolvérsela por correo! Eso hará que pueda recibir soporte técnico online y que le podamos facilitar información actualizada de este y otros productos Samson en el futuro. Si su sistema AirLine fue adquirido fuera de los Estados Unidos, contacte con su distribuidor local para que le indique los detalles de su garantía. Además, no deje de visitar nuestra página web (<http://www.samsontech.com>) para tener una completa información sobre toda nuestra línea de productos.

**NOTA ESPECIAL** para los compradores de los Estados Unidos: Para el improbable caso de que su sistema AirLine deba ser reparado en algún momento, le será necesario un número de autorización de devolución (RA). Sin este número, la unidad no será aceptada en fábrica. Si ha adquirido este sistema en los Estados Unidos, llame al número de teléfono 1-800-372-6766 para solicitar su número de autorización antes de devolvérselo. Conserve el embalaje original y los materiales de protección que viene dentro de él, y si es posible, envíe la unidad empaquetada con ellos. Si ha adquirido su aparato en otro país distinto a los EE.UU., póngase en contacto con su distribuidor Samson para que le informe de los detalles de lo que debe hacer.

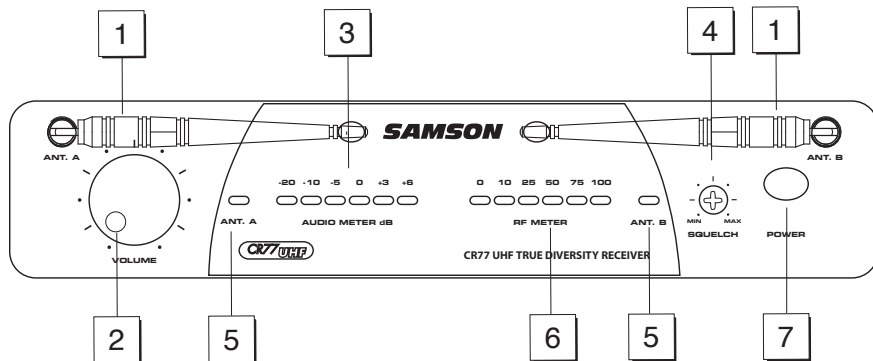
## Samson AirLine **Arranque rápido**

---

¡Si ya tiene alguna experiencia previa sobre el uso de sistemas inalámbricos, estas instrucciones de arranque rápido le ayudarán a que conecte y ponga en marcha su sistema AirLine en cuestión de un par de minutos!. En la página 71 de este manual encontrará instrucciones detalladas sobre el ajuste y uso de su AirLine, y en las secciones de "recorrido guiado" de las páginas 60 - 70 podrá ver la descripción completa de todos los controles y pantallas del AirLine.

1. Asegúrese de que el receptor incluido y el transmisor AX1 o AL1 estén ajustados de fábrica para el mismo canal.
2. Coloque físicamente el receptor en el lugar en el que lo vaya a usar y extienda verticalmente su(s) antena(s).
3. Coloque el interruptor de encendido de su transmisor en la posición "off" (lejos de la flecha) y colóquele una pila nueva. Después encienda el transmisor momentáneamente; su piloto parpadeará una vez y después se apagará si la pila está suficientemente cargada. Una vez que haya comprobado la carga de la pila, apague el transmisor.
4. Si está usando un AX1, conecte su clavija XLR a un micrófono dinámico con cable; haga una conexión sólida, usando si hace falta la pieza de goma incluida. Si utiliza el AL1 con un micro lavalier exterior, realice la conexión física entre su conector de entrada y el micrófono.
5. Apague su sistema de sonido y realice la conexión física del cable entre la clavija de salida balanceada o no balanceada del receptor (si es necesario, puede usar ambas simultáneamente) y una entrada de audio de nivel de micro de su amplificador o mezclador. Si su sistema consta de un receptor UM1 o CR77, asegúrese de ajustar correctamente su interruptor de nivel de salida audio.
6. Gire el mando de volumen, nivel o nivel AF del receptor completamente a la izquierda. Conecte al receptor el adaptador de corriente que se incluye y enchúfelo por el otro lado a una salida de corriente (o coloque una nueva pila en el receptor UM1), pero déjelo apagado por el momento.
7. Encienda el receptor. Si su sistema dispone de un receptor CR77, su piloto "Power" se quedará iluminado en rojo. (Nota: el receptor UM1 no tiene ningún piloto luminoso).

8. Encienda su transmisor. Si su sistema consta de un receptor CR77 o UM1, uno de los pilotos "A/B Receiver" se iluminará para indicarle que el receptor "A" (izquierdo) o el "B" (derecho) se está usando en ese momento. El medidor CR77/UM1 también indicará la fuerza de la señal RF entrante.
9. Encienda ahora el amplificador y/o mesa de mezclas que tenga conectado pero mantenga su volumen completamente abajo. Si su sistema dispone de un transmisor AL1, asegúrese de que no esté anulado. Ajuste el mando de volumen, nivel o nivel AF del receptor completamente a la derecha; eso será la ganancia unitaria.
10. Hable o cante en el micrófono a un nivel de ejecución normal mientras va aumentando lentamente el control de nivel de entrada audio de su amplificador o mesa de mezclas hasta que consiga el nivel que quiera. Si es necesario, utilice el destornillador que se incluye para ajustar el pequeño mando de retoque de ganancia del transmisor para aumentar o disminuir su nivel de señal. Si está usando un transmisor AL1 con el micrófono interno, una correcta colocación del mismo resulta crítica para la calidad de sonido. No debe quedar tapado por ropa y ha de estar colocado en una pinza en un bolsillo de su camisa/chaqueta o en la corbata; o enrollado alrededor de su cuello con el enganche que se incluye.
11. Vaya dando una vuelta por la zona que quiera cubrir a la vez que observa el piloto "Power/RF" o el medidor RF del receptor; debería indicar una suficiente recepción RF en todas las zonas de cobertura. Si es necesario, coloque en otro lugar el receptor (o su antena). Si necesita cubrir una zona mayor, puede sustituir este receptor por un receptor de diversidad real Samson CR77 o UM1 (ajustado al mismo canal que el transmisor).
12. Si escucha cualquier ruido espúreo proveniente de la salida del receptor cuando el transmisor está apagado, utilice el destornillador de plástico para ajustar el control de nivel de anulación (squelch), girándolo lentamente hacia la derecha hasta que llegue al punto en el que desaparezca el ruido.



**1: Antenas (A y B)** - Los puntos de montaje de antena permiten una rotación total para conseguir una colocación óptima de las mismas. En su funcionamiento normal, tanto la antena A (la de la izquierda), como la antena B (la antena de la derecha) deberían estar colocadas en una posición vertical. Ambas antenas son telescópicas y pueden ser recogidas dentro de sí mismas para un mejor transporte del CR77. Vea la sección de "Ajuste y uso de su sistema AirLine" en la página 71 de este manual para más información para una mayor información acerca de la instalación y colocación de las antenas.

**2: Volume** - Este mando ajusta el nivel de la señal audio que está siendo transmitida a través tanto de los conectores de salida balanceados como no balanceados del panel trasero. El nivel de referencia se consigue cuando el mando se gira completamente a la derecha (hasta su posición "10").

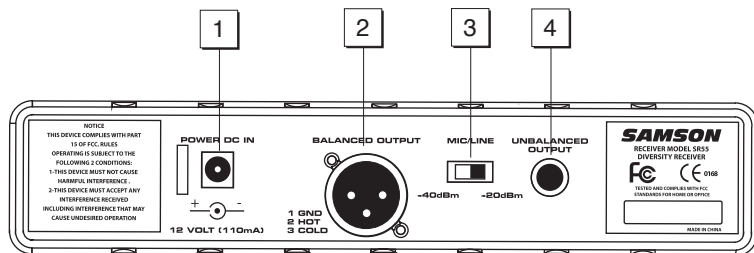
**3: Medidor audio** - Este indicador de "escalera" (parecido a la barra de medición VU que se usa en muchos dispositivos audio) le indica la fuerza de la señal audio entrante. Cuando el segmento "0" esté iluminado, la señal entrante estará optimizada a ganancia unitaria; cuando esté encendido el segmento "+6", la señal estará sobrecargada. Cuando esté iluminado el segmento del extremo izquierdo "-20", la señal tendrá solo el 10% de su nivel óptimo. Si ninguno de los segmentos está encendido, no estará siendo recibida ninguna señal o será muy débil. Vea la sección de "Ajuste y uso de su sistema AirLine" en la página 71 de este manual para más información

**4: Squelch** - Este control determina el rango máximo del CR77 antes de la caída de la señal audio. Aunque puede ajustarse usando el destornillador de plástico que se incluye, normalmente se deja con el valor que viene fijado de fábrica. Vea la sección de "Ajuste y uso de su sistema AirLine" en la página 71 de este manual para más información. para una mayor información acerca de este control.

**5: Pilotos de antena A/B** - Cuando se está recibiendo señal, uno de estos pilotos se ilumina en verde indicando que se está utilizando en ese momento bien la antena "A" (izquierda) o la "B" (derecha). El CR77 realiza un barrido constantemente entre las dos y elige automáticamente la que esté recibiendo la señal más potente y clara. Este disparo de diversidad real es completamente inaudible y permite aumentar de forma eficaz el rango global a la vez que elimina virtualmente las interferencias potenciales y los problemas de cancelación de fase.

**6: Medidor de nivel RF (Frecuencia de radio)** - Este medidor de 6 segmentos (similar a los medidores de barras VU que se utilizan en los aparatos de audio) indica la fuerza de la señal UHF que está siendo recibida. Cuando todos los segmentos están encendidos, la señal RF entrante estará a la potencia óptima; cuando solo se ilumina el de más a la izquierda, la señal RF entrante tendrá la potencia mínima para la recepción. Si no se ilumina ningún segmento, no se recibirá ninguna señal; asegúrese entonces de que su transmisor esté conectado y que esté ajustado al mismo canal que el CR77. Vea la sección de "Ajuste y uso de su sistema AirLine" en la página 71 de este manual para más información.

**7: Interruptor de encendido** - Utilice este interruptor para encender y apagar el CR77. Cuando el receptor está encendido, el piloto de encendido está iluminado en rojo.

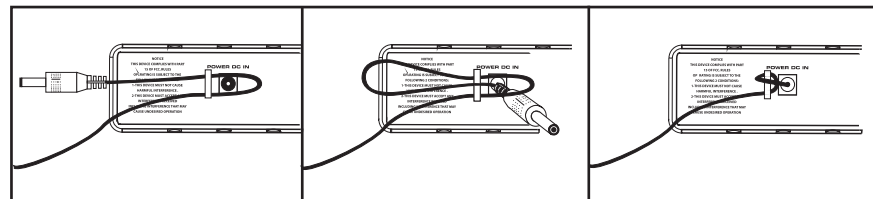


**1: Entrada DC** - Conecte aquí el adaptador de corriente de 12 voltios y 160 mA que se incluye, utilizando la pestaña anti-tirones tal como se ve en la ilustración de abajo.

**ATENCIÓN:** No sustituya este adaptador por otro de ningún otro tipo; el hacer esto puede producir serios daños en el CR77 y anulará su garantía.

**2: Salida no balanceada\*** - Utilice este conector jack de 1/4" no balanceado de alta impedancia (5K Ohm) cuando conecte el CR77 a aparatos de sonido no profesionales (-10). El cableado es el siguiente: punta-vivo, lateral-masa.

**3: Interruptor de nivel de salida de audio** - Ajusta la atenuación del nivel de salida audio de la salida balanceada (vea #4 siguiente) a -20 dBm (nivel de línea) o -40 dBm (nivel de micro). Vea la sección



de "Ajuste y uso de su sistema AirLine" en la página 71 de este manual para más información.

**4: Salida balanceada\*** - Utilice este conector XLR balanceado electrónicamente y de baja impedancia (600 Ohm) cuando conecte el CR77 a aparatos de audio profesional (+4). El cableado de las puntas es el siguiente: punta 1 masa, punta 2 alto (vivo o activo) y punta tres bajo (frío o pasivo).

\* Si es necesario, se pueden utilizar de forma simultánea tanto las salidas balanceadas como no balanceadas.

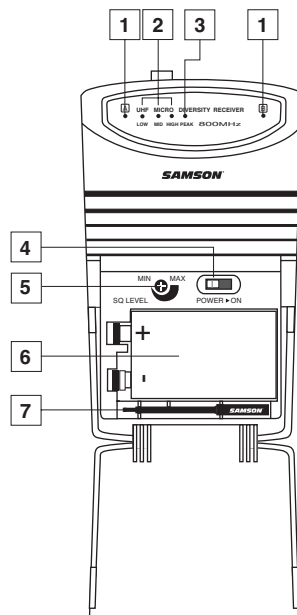
**1: Pilotos de antena A/B** - Cuando se está recibiendo señal, uno de estos pilotos se ilumina en naranja, indicando que se está utilizando en ese momento bien la antena “A” (izquierda) o la “B” (derecha). El UM1 realiza un barrido constantemente entre las dos y elige automáticamente la que esté recibiendo la señal más potente y clara. Esta activación de diversidad real es completamente inaudible y permite aumentar de forma eficaz el rango global a la vez que elimina virtualmente las interferencias potenciales y los problemas de cancelación de fase.

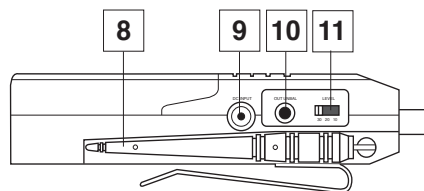
**2: Medidor** - Este grupo de tres LEDs multicolores actúa como un medidor, indicando tanto la carga de la pila como la fuerza de la señal RF entrante. Este medidor también puede ser desactivado al completo para ahorrar carga de pila. Vea el punto #15 de la página 61 para más información.

**3: LED de picos** - Este piloto luminoso LED se ilumina en rojo cuando la señal de salida del UM1 está en el límite de la saturación (es decir, cuando está al borde de la distorsión). Si ve que se ilumina este piloto durante la operación, aléjese un poco con el micrófono o disminuya el nivel de salida de su instrumento o transmisor. Vea la sección de “Ajuste y uso de su sistema AirLine” en la página 71 de este manual para más información.

**4: Interruptor de encendido** - Utilice este interruptor para encender o apagar el UM1.

**5: Control de nivel SQL (Squelch)** - Este control determina el rango máximo del UM1 antes de la desaparición de la señal audio. Aunque se puede ajustar utilizando el destornillador de plástico que se incluye, debería dejarlo normalmente en su ajuste de fábrica. Vea la sección de “Ajuste y uso de su sistema AirLine” en la página 71 de este manual para más información.





**6: Receptáculo de la pila** - Coloque aquí una pila alcalina de 9 voltios standard, asegurándose de seguir las indicaciones de colocación de los polos positivo y negativo. Aunque se pueden usar también pilas recargables de níquel-cadmio, estas no dan una corriente adecuada durante más de cuatro horas. **ATENCIÓN:** No coloque la pila al revés; el hacerlo puede producir daños graves en el UM1 y anularía la garantía.

**7: Destornillador de plástico** - Diseñado especialmente para su uso en el ajuste del control Squelch del UM1 (vea #4 anterior). Vea la sección de "Ajuste y uso de su sistema AirLine" en la página 71 de este manual para más información.

**8: Antenas (A y B)** - Los puntos de montaje de antena permiten una rotación total para conseguir una colocación óptima de las mismas. En su funcionamiento normal ambas antenas deberían estar colocadas en la posición vertical. Las dos antenas son telescópicas y pueden ser recogidas dentro de sí mismas para un mejor transporte del UM1. Vea la sección de "Ajuste y uso de su sistema AirLine" en la página 71 de este manual para más información. acerca de la instalación y colocación de las antenas.

**9: Entrada DC** - Este conector acepta un voltaje DC de entrada de 6 - 13 voltios (conexión interior [punta( positivo, conexión exterior [lateral( masa) desde su cámara de vídeo, cuando esto es disponible. Conecte el adaptador de corriente opcional Samson AC300R aquí para cargar una pila de 9 voltios de Níquel-cadmio recargable.

**10: Salida no balanceada\*** - Utilice este conector mini-jack de auriculares de 1/8" (3.5 mm) no balanceado (1K Ohm máximo) cuando conecte el UM1 a unidades de sonido no profesionales (-10). El cableado es el siguiente: punta-activo, lateral-masa. Si su cámara de vídeo tiene entradas audio stereo, deberá usar un adaptador en Y que tenga en un extremo un conector stereo mini de auriculares de 1/8" (3.5 mm) y dos tomas macho de tipo RCA en el otro.



**11: Interruptor de nivel de salida de audio** - Ajusta la atenuación del nivel de salida de audio de tanto la salida balanceada como la no balanceada (vea los puntos 10 anterior y 14 siguiente) a -30 dBm (nivel de micro), -20 dBm o -10 dBm (nivel de línea). Vea la sección de "Ajuste y uso de su sistema AirLine" en la página 71 de este manual para más información.

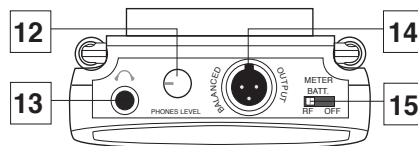
**12: Control de nivel** - Este mando ajusta el nivel de la señal audio que esté siendo enviada a la salida de auriculares (vea el punto 13 siguiente).

**13: Salida de auriculares** - Conecte unos auriculares stereo a esta toma de entrada mini-jack de 1/8" (3.5 mm) de auriculares stereo para monitorizar la señal que esté siendo emitida por el UM1. Le recomendamos que utilice auriculares de 30 ohmios. El nivel de la señal de auriculares puede ser fijado ajustando el control de nivel (vea el punto 12 anterior). La salida máxima es de 240 mW @ 30 ohmios.

**14: Salida balanceada\*** - Utilice este conector mini-XLR balanceado electrónicamente y de baja impedancia (600 Ohm) cuando conecte el UM1 a unidades de audio profesional (+4). El cableado de las puntas es el siguiente: punta 1 masa, punta 2 alto (activo) y punta tres bajo (pasivo).

**15: Interruptor de medidor** - Este interruptor de tres posiciones determina la función del medidor que hay en el panel frontal del UM1 (vea el punto 2 de la página 63). En la posición "RF" de la izquierda, el medidor indica la fuerza de la señal RF entrante. En la posición central, "BATTERY", el medidor indica la carga relativa de la pila, mostrando si la pila que tiene colocada está baja (rojo), a media carga (amarillo) o bien cargada (verde). (Nota: Cuando se enciende el indicador rojo de "poca carga", el rendimiento empeora; entonces deberá cambiar la pila lo antes posible). En la posición "OFF" de la derecha, el medidor queda desactivado del todo, con lo que se ahorra parte del voltaje de la pila.

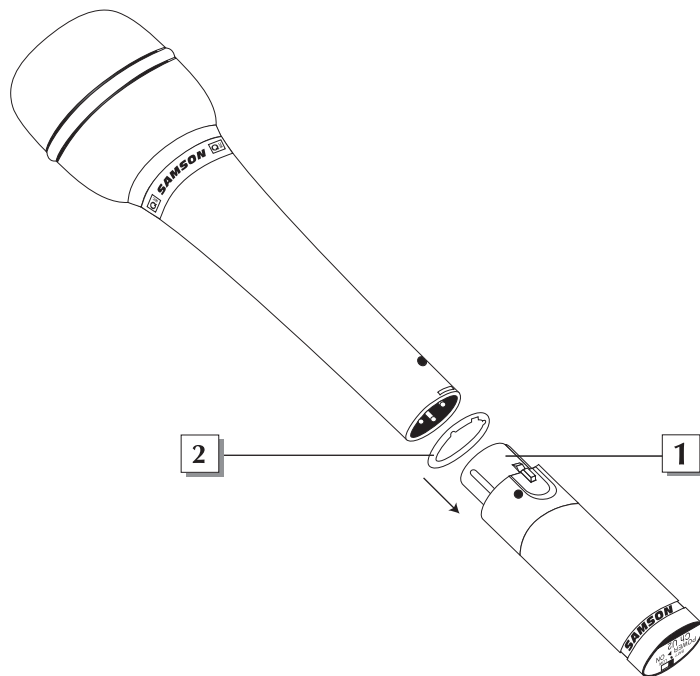
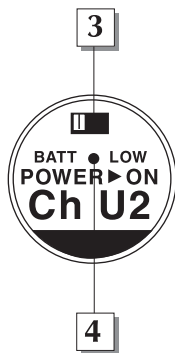
\* Si es necesario, se pueden usar simultáneamente tanto las salidas balanceadas como las no balanceadas.



**1: Conector XLR** – Conecte esta toma standard XLR hembra en cualquier micrófono dinámico standard de cable para convertirlo en un micro inalámbrico.

**2: Casquillo de goma** – Si fuese necesario, utilice el casquillo de goma incluido para formar una conexión sólida y firme entre el conector XLR del AR1 y su micrófono (tenga en cuenta que no hará falta que use este casquillo en todos los micrófonos).

**3: Interruptor de encendido on-off** – Mueva este interruptor hacia la flecha para encender el AX1; desplácelo hacia el lado contrario para apagar la unidad. (Para alargar al máximo la carga de las pilas, asegúrese de apagar el AX1 cuando no lo utilice). Asegúrese de anular la señal audio en su mezclador exterior o amplificador antes de encender o apagar el AX1, ya que en caso contrario podría producirse algún tipo de petardeo audible.

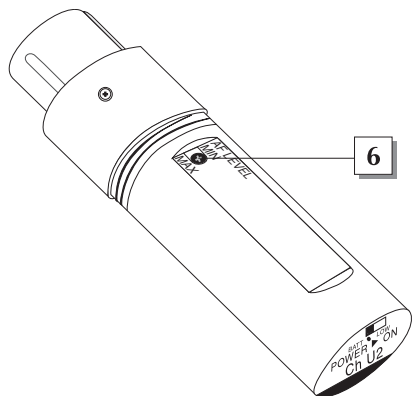
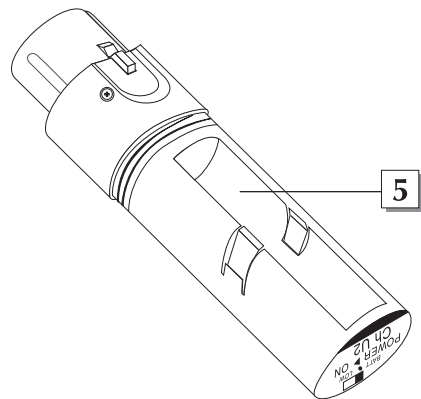


# Recorrido guiado – Transmisor manual AX1

Samson AirLine

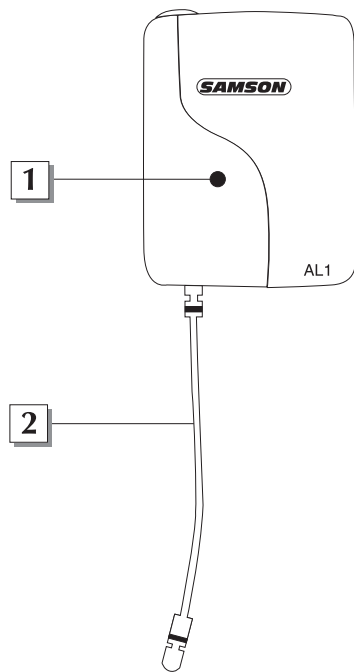
**4 : Piloto LED Power / Battery** – Este piloto parpadea una vez cuando enciende el AX1 por primera vez y queda iluminado fijo en rojo cuando quedan menos de dos horas de carga en la pila, para indicarle que debe cambiarla por otra nueva.

**5: Compartimento de la pila** – Coloque aquí una pila alcalina de tipo AAA standard, asegurándose de seguir las marcas más y menos de polaridad. Le recomendamos usar pilas Duracell. Aunque también puede usar pilas recargables de Ni-Cad, ha de tener en cuenta que no dan el flujo de corriente adecuado durante más de cuatro horas. **PRECAUCION:** Nunca coloque la pila al revés; el hacer eso podría producir serios daños en el AX1 y haría que la garantía quedase anulada.



## **6: Control de nivel de entrada de micrófono (mando de ajuste)**

– Utilice el destornillador de plástico que se incluye para aumentar o disminuir la sensibilidad del nivel de entrada del AX1 según sus necesidades. Vea la sección "Ajuste y uso de su sistema AirLine" en la página 71 de este manual para más información.

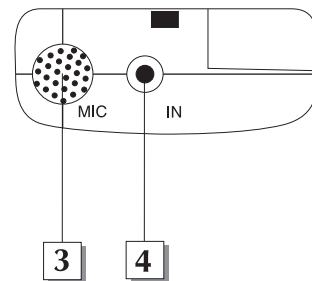


**1: Piloto LED Power / Battery** – Este piloto parpadea una vez cuando enciende el AL1 por primera vez y queda iluminado fijo en rojo cuando quedan menos de dos horas de carga en la pila, para indicarle que debe cambiarla por otra nueva.

**2: Antena** – Durante el funcionamiento normal debería estirar completamente esta antena flexible que está unida de forma fija al emisor. Vea la sección de “Ajuste y uso de su sistema AirLine” en la página 71 de este manual para más información sobre la colocación de la antena.

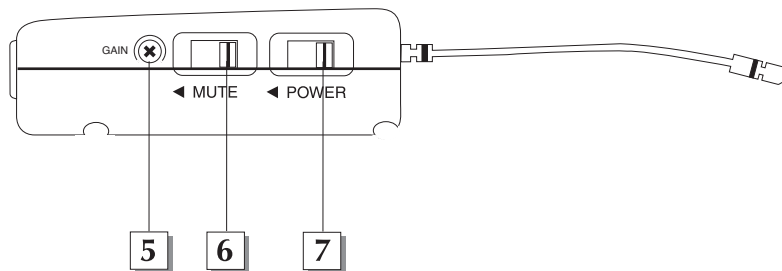
**3: Micrófono condensador electroreto** – Este micro condensador electroreto unidireccional de alta calidad con filtro metálico ha sido optimizado para dar la mejor y más cristalina reproducción de la voz hablada. Está activo mientras el AL1 está encendido, y mientras no conecte nada en la toma de entrada de micrófono lavalier (vea el punto 4 más abajo). Cuando introduce un conector en la toma de entrada de micrófono lavalier, este micrófono interno es anulado.

**4: Conector de entrada de micro lavalier** – Utilice este mini conector standard de 2.5 mm si quiere conectar un micrófono lavalier exterior al AL1. Tenga en cuenta que, dado que el AL1 tiene un micro condensador electroreto interno (vea el punto 3 anterior), el uso de un micro lavalier exterior es opcional y no obligatoria. El AL1 suministra 2.7 V de alimentación fantasma, por lo que puede usar micros condensadores si quiere.



# Recorrido guiado – Transmisor de presentation AL1

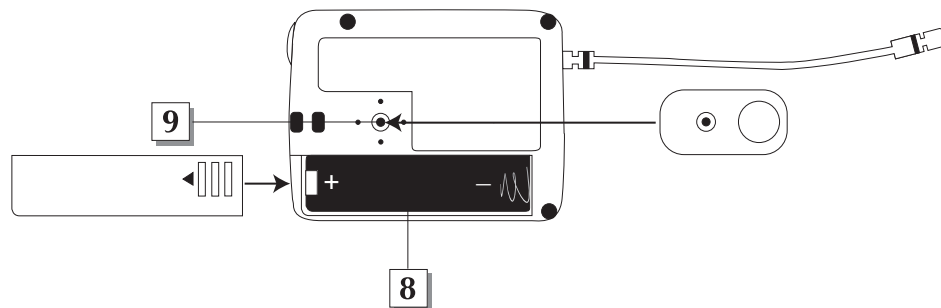
Samson AirLine



**5: Control de ganancia (mando de ajuste)** – Utilice el destornillador de plástico que se incluye para aumentar o disminuir la sensibilidad del nivel de entrada del AL1 según sus necesidades. Vea la sección “Ajuste y uso de su sistema AirLine” en la página 71 de este manual para más información.

**6: Interruptor de anulación** – Para anular la señal del AL1 desplace este interruptor en la dirección de la flecha; desplácelo al lado opuesto para dejar sin efecto la anulación y transmitir la señal audio. Dado que la señal portadora se mantiene durante la anulación, no se produce ningún “chasquido” ni “petardeo” al activarlo. Tenga en cuenta que el desactivar esto no hace que el transmisor quede apagado – simplemente es una forma de anular temporalmente la transmisión de la señal de audio. Si no piensa usar el AL1 durante algún tiempo, apáguelo usando el interruptor de encendido on-off (vea el punto 7 siguiente). Asegúrese de anular la señal audio en su mezclador exterior o amplificador antes de encender o apagar el AL1, ya que en caso contrario podría producirse algún tipo de petardeo audible.

**7: Interruptor de encendido** – Mueva este interruptor hacia la flecha para encender el AL1; desplácelo hacia el lado contrario para apagar la unidad. (Para alargar al máximo la carga de las pilas, asegúrese de apagar el AL1 cuando no lo utilice).



**8: Compartimento de la pila** – Coloque aquí una pila alcalina de tipo AAA standard, asegurándose de seguir las marcas más y menos de polaridad. Le recomendamos usar pilas Duracell. Aunque también puede usar pilas recargables de Ni-Cad, ha de tener en cuenta que no dan el flujo de corriente adecuado durante más de cuatro horas. **PRECAUCION:** Nunca coloque la pila al revés; el hacer eso podría producir serios daños en el AL1 y haría que la garantía quedase anulada.

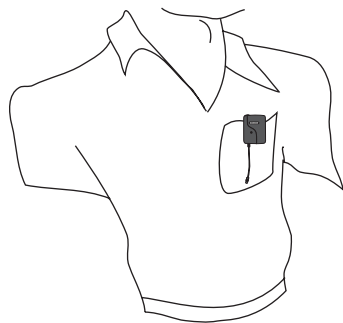
**9: Clip de sujeción** – Puede usar este clip para sujetar el AL1 al bolsillo de una camisa o chaqueta o al collar que se incluye. Puede girar la posición de este clip a cualquier otra posición aflojando su tornillo central, o también puede quitarlo del todo soltando el tornillo central. Para más información acerca de la colocación del AL1, vea la sección de "Ajuste y uso del sistema AirLine" en la página 71 de este manual.

El procedimiento básico de ajuste y uso de su sistema AirLine solo le llevará unos pocos minutos:

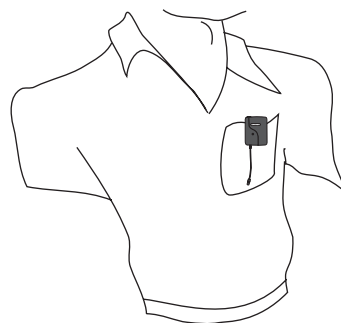
1. Para que su sistema AirLine funcione correctamente, tanto el receptor como el transmisor deberán estar ajustados al mismo canal. Quite todos los embalajes (guárdelos por si los necesitase en el futuro) y compruebe que tanto el receptor como el transmisor estén ajustados al mismo canal (en la parte interior de la contraportada de este manual puede ver un plano completo de los canales). Si estos canales no coinciden, contacte con su distribuidor o, si adquirió el aparato en los Estados Unidos, con el departamento de soporte técnico de Samson en el teléfono 1-800-372-6766.
2. Coloque físicamente el receptor en el lugar en el que lo vaya a usar (la regla de oro principal es mantener siempre la "línea de visión" entre el receptor y el transmisor de tal forma que la persona que esté usando o que lleve el transmisor encima pueda ver siempre el receptor). Puede montar el CR77 en un rack si quiere (ocupa medio espacio rack), usando un kit adaptador opcional de Samson. El transmisor UM1 puede ser colocado en una cámara de vídeo usando las tiras de velcro que se incluyen.
3. Extienda la antena(s) del receptor y colóquela(s) en posición vertical. Asegúrese de que el interruptor de encendido on-off de su transmisor esté ajustado a "Off".
  - 4a. Si su sistema está formado por un transmisor de micro manual AX1, desenrosque la parte inferior girándola hacia la izquierda y tire de ella hacia fuera.
  - 4b. Si su sistema consta de un transmisor de petaca AL1, dele la vuelta y quite la tapa de la pila.
5. Coloque una pila alcalina AAA nueva en el compartimento de la pila del transmisor, poniendo atención en las marcas de polaridad. Si está usando un transmisor manual AX1, vuelva a colocar la sección inferior del mismo en su sitio volviéndola a enroscar en su posición. Si está usando un transmisor de petaca AL1, vuelva a colocar la tapa de la pila deslizándola hasta que haga click. Cualquiera que sea el tipo de transmisor que esté usando, déjelo apagado y aparte por un momento.
6. Realice la conexión física de cables entre el conector de salida del receptor y una entrada audio de nivel de micro en su amplificador o mesa de mezclas. Es preferible usar el conector XLR balanceado, dado que emite una señal más limpia desde el punto de vista electromagnético. Si fuese necesario, puede usar tanto las salidas balanceadas como las no balanceadas simultáneamente. Si su sistema dispone de un receptor CR77 o UM1, asegúrese de ajustar correctamente su interruptor de nivel de salida audio (vea las páginas 62 y 64 para más detalles). Deje su amplificador (y/o mesa de mezclas) apagado por ahora.

7. Gire el control de volumen, nivel o nivel AF del receptor completamente a la izquierda. Conecte el adaptador de corriente que incluimos a la entrada del CR77 y enchúfelo por el otro lado a una salida de corriente (el receptor UM1 también puede funcionar con pilas o con una fuente de alimentación de 12 voltios de la cámara de vídeo a la que esté conectado). Empuje el interruptor de corriente en la dirección de la flecha para encender el receptor. Si en su sistema hay un receptor CR77, su piloto "Power" también quedará iluminado en rojo. (Nota: el receptor UM1 no tiene ningún indicador de encendido).

8. Encienda su transmisor (utilizando el interruptor de encendido on-off); el piloto "Power/Battery" parpadeará si la pila tiene carga suficiente (si a la pila le quedan menos de dos horas de carga y debe ser sustituida, el piloto se quedará iluminado fijo). Si su sistema consta de un receptor CR77 o UM1, uno de los pilotos "A/B Receiver" se iluminará para indicarle que el receptor "A" (izquierdo) o el "B" (derecho) se está usando en ese momento. El medidor CR77/UM1 también indicará la fuerza de la señal RF entrante.



9. Ahora ha llegado el momento de ajustar los niveles audio. Encienda el amplificador y/o mesa de mezclas que tenga conectados pero mantenga su volumen totalmente abajo. Si está usando un transmisor AL1, asegúrese de que no esté anulado (su interruptor Mute debería estar en la posición más alejada de la flecha). Ajuste entonces el mando de volumen, nivel o nivel AF de su receptor totalmente a la derecha; esta es la ganancia unitaria. Si está usando un transmisor AL1 con el micrófono interno, tenga en cuenta que la correcta colocación resulta crítica para la calidad del sonido. Le recomendamos que lo coloque tal como se muestra en las ilustraciones de esta página – sujeto en su chaqueta o camisa y sin que quede tapado por la ropa, o colocado alrededor del cuello usando el collar que incluimos.





10. Hable o cante en su micro a un nivel de ejecución normal a la vez que va aumentando lentamente el volumen de su amplificador y/o mesa de mezclas hasta llegar al nivel que desee. El receptor UM1 le permite monitorizar la señal de transmisión usando unos auriculares de 30 ohmios de tipo Walkman conectados a la salida de auriculares. Tenga en cuenta también que los micros unidireccionales (micros que captan la señal desde una única dirección) como el micro condensador electroretro interno del AL1 son menos propensos a la realimentación que otros tipos de micros. Puede reducir cualquier problema de realimentación que observe asegurándose de no usar el micro directamente delante de un altavoz de PA o usando un ecualizador para atenuar esas frecuencias de rango medio o agudo que provocan el típico "pitido" de realimentación.

11. Si escucha cualquier tipo de distorsión al nivel de volumen elegido, compruebe si el piloto rojo "Peak" del receptor está encendido. Si no es así, asegúrese de que la estructura de ganancia de su sistema de sonido esté ajustada correctamente (consulte el manual de instrucciones de su mesa de mezclas y/o amplificador para más detalles). Si el piloto rojo "Peak" está encendido, haga lo siguiente:

- Si está usando un transmisor de micro manual AX1, utilice el destornillador de plástico que se incluye para girar el control de nivel de entrada de micro (mando de retoque) lentamente a la izquierda (hacia la posición "Min") hasta que desaparezca la distorsión.
- Si está usando el transmisor de petaca AL1 con su micrófono condensador electroretro interno, simplemente aleje un poco el micrófono de su boca. Si está usando un transmisor AL1 con un micrófono lavalier exterior, utilice el destornillador de plástico incluido para girar el control de ganancia (mando de retoque) lentamente hacia la izquierda hasta que desaparezca la distorsión.

12. Y de forma opuesta a lo anterior, si escucha una señal muy débil y con ruidos al nivel de volumen deseado, asegúrese de que la estructura de ganancia de su sistema de sonido esté ajustada correctamente (consulte el manual de instrucciones de su mesa de mezclas y/o amplificador para más detalles) y que el control de volumen, nivel o nivel AF del receptor esté totalmente a la derecha. Si todo esto es correcto y la señal que viene del receptor sigue siendo débil y/o ruidosa, haga lo siguiente:

- Si está usando un transmisor de micro manual AX1, utilice el destornillador de plástico que se incluye para girar el control de nivel de entrada de micro (mando de retoque) lentamente a la derecha (hacia la posición "Max") hasta la señal tenga un nivel aceptable.
- Si está usando el transmisor de petaca AL1 con su micrófono condensador electroretro interno, simplemente acerque un poco más el micrófono a su boca. Si está usando un transmisor AL1 con un micrófono lavalier exterior, utilice el destornillador de plástico incluido para girar el control de ganancia (mando de retoque) lentamente hacia la derecha hasta hacer que la señal tenga un nivel aceptable.

13. Disminuya temporalmente el nivel de su sistema mezclador/amplificador y apague su transmisor, dejando el receptor encendido. Restaure entonces el nivel ajustado anteriormente en su amplificador/mesa de mezclas. Con el transmisor apagado, la salida del receptor debería ser el silencio total – si es así, pase directamente al siguiente paso. Si esto no ocurre (es decir, si escucha algún tipo de ruido), puede que deba ajustar el control de anulación (squelch) del receptor. Cuando el control de anulación está en su ajuste mínimo, el sistema AirLine ofrece siempre el rango máximo sin caídas del sonido; no obstante, dependiendo del entorno concreto en que se utilice su sistema, puede que tenga que reducir ese rango un poco de cara a eliminar la banda de ruidos que se escucha cuando el transmisor está apagado. Para hacer eso, utilice el destornillador incluido para girar el control de anulación completamente a la izquierda (hasta la posición “Min”), y girarlo después lentamente hacia la derecha hasta que desaparezca el ruido. Si no se escucha ningún ruido en ninguna posición, deje este mando en la posición de más a la izquierda “Min” (para conseguir el máximo rango global posible).

14. Cuando ajuste por primera vez su sistema AirLine en un nuevo entorno, siempre es una buena idea darse una vuelta por la zona para asegurarse de que tiene cobertura en todo el escenario o la zona de la ejecución. Para ello, disminuya el nivel de su sistema de audio y encienda tanto el transmisor como el receptor. Entonces, con el transmisor no-anulado, restaure el nivel de su sistema de audio y mientras habla o canta, vaya dando una vuelta por toda la zona que tenga que ser cubierta. Según lo va haciendo, observe la indicación o medidor RF del receptor para asegurarse de que está recibiendo una señal RF suficientemente fuerte (en los receptores CR77 o UM1, todos los segmentos del medidor de nivel RF deberían estar encendidos). Trate siempre de reducir al mínimo la distancia entre el transmisor y el receptor de tal forma que se reciba siempre la señal más fuerte posible desde todos los puntos de transmisión de la zona. En determinados entornos, puede que le venga bien colocar la antena en una posición diferente a la vertical. Para aplicaciones videográficas, puede usar el receptor de microdiversidad UM1 de Samson.

Si ha seguido todos los pasos anteriores y tiene cualquier tipo de problemas, contacte con su distribuidor local o, si compró el aparato en los Estados Unidos, llame por teléfono al departamento de soporte técnico de Samson (1-800-372-6766) en horario de 9 AM a 5 PM EST.

# Specifications

Samson AirLine

## CR77 Receiver

|   |  |
|---|--|
| Receiving Frequencies                                   | USA 801-805MHz (U1-U6),  |
| Oscillation Type  | PLL  |
| De-emphasis   | 50 msec  |
| IF Frequency  | 10.7 MHz   |
| A/B Antennas  | 1/4 Wavelength Rod   |
| In/Out  | DC Inlet, Balanced Output, Unbalanced Output                                     |
| Display (LED)   | Receiver A/B (Green), Power On (Red), ARF Level (6 segment) RF Level (6 segment) |
| Level Control   | Audio Level Volume, Squelch Level Control  |
| Operating Temperature                                   | 0° C / 50° C   |
| Operating Voltage                                       | 12 Volts ±10%  |
| Current Consumption                                     | 160 mA (all LED lights illuminate)   |
| Receiving Frequency Range                               | 801 - 805 MHz  |
| Sensitivity   | 18 dBm (@ THD 2%)  |
| Squelch Sensitivity                                     | 0 - 40 dBm (Adjustable)  |
| Selectivity   | ±150 kHz (AF Out Ratio -60 dB)   |
| T.H.D. (Overall)  | 1% Max (@AF 1 kHz, RF 46 dBu)  |
| S/N Ratio (Overall)                                     | 90 dB (w/IHF-A Filter)   |
| Residual Noise  | 90 dBv (w/IHF-A Filter)  |
| Band Mute   | ±40 kHz / ±100 kHz (RF IN: 46 dBu EMF)   |
| AF Frequency Response                                   | 50 Hz - 15 kHz (±3 dB overall)   |
| Audio Output Level - Unbalanced                         | 0 dBv  |
| Audio Output Level - Balanced (slide switch selectable) | -20 dBm (Line), -40 dBm (Mic)  |
| Audio Output Impedance - Unbalanced                     | 5 k Ohms   |
| Audio Output Impedance - Balanced                       | 600 Ohms   |

# Samson AirLine Specifications

---

## UM1 Receiver

|                            |   |
|----------------------------|---|
| Receiving Frequencies      | USA 801-805MHz (U1-U6), One frequency in Channel Plan   |
| Oscillation Type           | Crystal Controlled  |
| Receiving Method           | Single Super Heterodyne / True Diversity  |
| De-emphasis                | 50 msec   |
| IF Frequency               | 10.7 MHz  |
| Local Frequency            | 70 MHz Range (79 - 79.5 MHz)  |
| A/B Antennas               | 1/4 Wavelength Rod  |
| In/Out                     | 5.5 DC Inlet, Balanced Output (Switchcraft TA3F mini-XLR),<br>Unbalanced Output (3.5 mm phone jack), Headphone Output (3.5 mm phone jack)<br>Receiver A/B (Orange), Peak (Red), RF Level / Battery Strength (3 pc)<br>AF output level approx. +4 dB |
| Display (LED)              | Audio Level switch, Squelch volume, Headphone volume, Meter function switch   |
| Peak LED lighting point    | 0° C / 55° C  |
| Controls                   | AC adapter DC 6 - 13 Volts, 9 volts battery   |
| Operating Temperature      | >60 mA (no signal, all LEDs off)  |
| Operating Voltage          | 801 - 805 MHz   |
| Current Consumption        | 17 dBmv $\pm$ 4 dB  |
| Receiving Frequency Range  | 1% Max (@AF 1 kHz, RF 56 dBuv)  |
| Squelch Sensitivity        | 95 dB (w/IHF-A Filter)  |
| T.H.D. (Overall)           | 50 Hz - 15 kHz ( $\pm$ 3 dB overall)  |
| Dynamic Range              | 0 dBv $\pm$ 2 dB (Maximum +9 dBv $\pm$ 3 dB @ 3% THD)   |
| AF Frequency Response      | 1 k Ohms max. (Unbalanced), 600 Ohms (Balanced)   |
| Audio Output Level         | 32 Ohms   |
| Audio Output Impedance     | 12 hours typical  |
| Headphone Output Impedance |   |
| Battery life               |   |

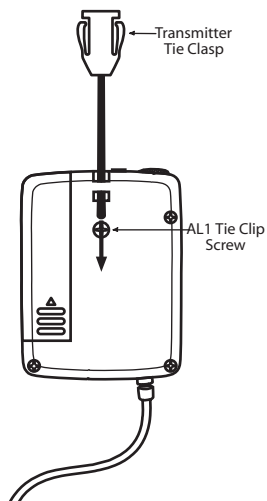
# Appendix A: Channel Plan

*Samson AirLine*

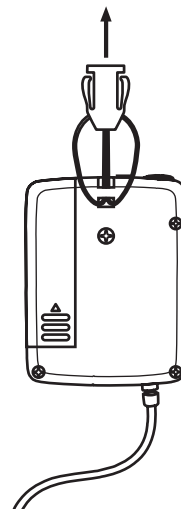
---

| Channel | Frequencies | Channel | Frequencies |
|---------|-------------|---------|-------------|
| U1      | 801.375 MHz | E1      | 863.125 MHz |
| U2      | 801.875 MHz | E2      | 863.625 MHz |
| U3      | 803.125 MHz | E3      | 864.500 MHz |
| U4      | 803.750 MHz | E4      | 864.875 MHz |
| U5      | 804.500 MHz |         |             |
| U6      | 804.750 MHz |         |             |

## Appendix B: Attaching the Lanyard to the AL1



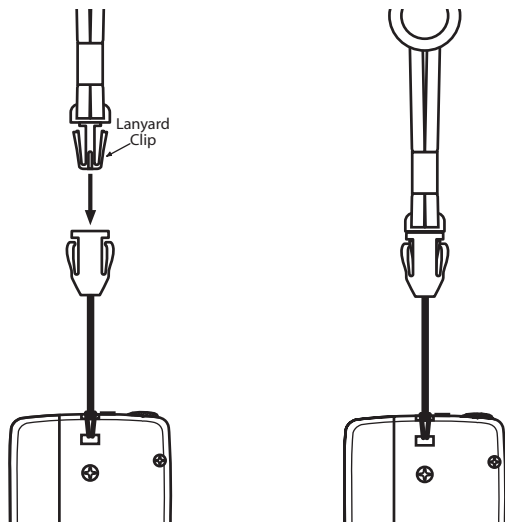
1. Pass the cord from the Transmitter tie clip through the holes on the top rear of the AL1. The clip may have to be rotated (and can be removed) to reveal the exit hole. See page 16 in this manual for further instructions. (For clarity, all the illustrations in this Appendix show the AL1 with the tie clip removed.)



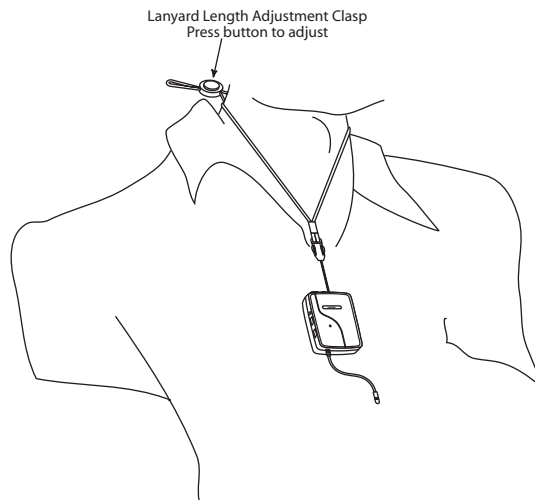
2. Pull the cord all the way through and lift it over the clasp, making a loop. Pull the clasp through the loop taking up the slack.

## Appendix B: Attaching the Lanyard to the AL1

*Samson AirLine*



3. Place the lanyard over the head of the person using the transmitter, adjusting the length with the lanyard length adjustment clasp, which should be at the back of the person's neck (refer to the illustration above). Insert the lanyard clip into the AL1 tie clasp until it snaps.



4. The AL1 should rest approximately in the middle of the chest of the person speaking (see illustration above). To increase signal to the mic, adjust the AL1 closer to the person's mouth using the lanyard length adjustment clasp. To temporarily remove the lanyard from the AL1, squeeze the clasp and release the clip.

*Samson AirLine* **Notes**

---



| <b>AirLine &amp; Concert 77 UHF Wireless Microphone Systems</b>   |  |
|---|--|
| Country Code<br>Code de Pays<br>Laender-Kuezel  | Authorised Frequency Range<br>Bande de Fréquences Autorisée<br>Frequenzbereich |
| AT, BE, ES, FR, GB, IE, NL, PT  | 863 – 865 MHz  |
| CH, DE, DK, FI, IT, NO, SE  | 801 – 806 MHz, 863 – 865 MHz   |
| GR  | 801 – 806 MHz  |
| All other countries   | *  |
| * Please contact your national frequency authority for information on available legal frequencies and legal use in your area. |  |



| Channel | Frequencies | Channel | Frequencies |
|---------|-------------|---------|-------------|
| U1      | 801.375 MHz | E1      | 863.125 MHz |
| U2      | 801.875 MHz | E2      | 863.625 MHz |
| U3      | 803.125 MHz | E3      | 864.500 MHz |
| U4      | 803.750 MHz | E4      | 864.875 MHz |
| U5      | 804.500 MHz |         |             |
| U6      | 804.750 MHz |         |             |

## FCC Rules and Regulations

**Samson wireless systems are type accepted under FCC rules parts 90, 74 and 15.**

**Licensing of Samson equipment is the user's responsibility and licensability depends on the user's classification, application and frequency selected.**

**This device complies with RSS-210 of Industry & Science Canada.**

**Operation is subject to the following two conditions:  
(1) this device may not cause harmful interference and (2) this device must accept any interference received, including interference that may cause undesired operation.**

# **SAMSON**

Samson Technologies, Corp. 575 Underhill Blvd., Spoutet, NY, 11791(516)364-2244(516)364-3888



## Declaration of Conformity

Date of issue: 06/01/2004  
Equipment: Wireless Transmitter Guitar  
Model #: AFI / AG1  
Class: Samson Airline

Manufacturer: SAMSON TECHNOLOGIES CORPORATION  
Address: 575 Underhill Boulevard, Spoutet, New York 11791 USA

This is to certify that the aforementioned equipment fully conforms to the protection requirements of the following EC Council Directives:

| Directives | Applicable Standards            | Title   |
|------------|---------------------------------|---|
| 73/23/EEC  | EN 60065:2002                   | Audio, video and similar electronic apparatus - Safety requirements   |
| 89/336/EEC | EN 301489-9<br>v1.2.1 (2000-08) | Electromagnetic compatibility and Radio spectrum Matters;<br>(ERM) - Part 9: Specific conditions for wireless microphones   |
| 1999/5/EC  | EN 300 422-2 V1.2.2             | Electromagnetic compatibility and Radio spectrum Matters (ERM);<br>Wireless microphones in the 25 MHz to 3 GHz frequency range;<br>Part 2: Harmonized EN under article 3.2 of the R&TTE Directive |

Signed on behalf of the manufacturer:

Name: Dodgias Bryant  
Title: President

Signed on behalf of the representative:

Name: \_\_\_\_\_  
Title: \_\_\_\_\_  
Address: \_\_\_\_\_  
Address: \_\_\_\_\_





Samson Technologies Corp.

Phone: 1-800-3-SAMSON (1-800-372-6766)

Fax: 516-364-3888

axlom v4.3

## Free Manuals Download Website

<http://myh66.com>

<http://usermanuals.us>

<http://www.somanuals.com>

<http://www.4manuals.cc>

<http://www.manual-lib.com>

<http://www.404manual.com>

<http://www.luxmanual.com>

<http://aubethermostatmanual.com>

Golf course search by state

<http://golfingnear.com>

Email search by domain

<http://emailbydomain.com>

Auto manuals search

<http://auto.somanuals.com>

TV manuals search

<http://tv.somanuals.com>