

SAMSUNG

OUTDOOR HOUSING

SHG-220/SHG-220S

Installation Manual

Instalationshandbuch

Manuel D'installation

Manual De Instalación

安裝手冊

取付説明書

설치설명서

GB

D

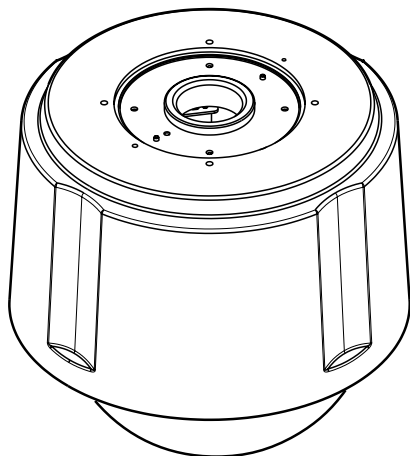
F

E

C

J

K



IMPORTANT SAFEGUARDS

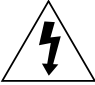

1. **Read Instructions** - All the safety and operating instructions should be read before the unit is operated.
2. **Retain Instructions** - The safety and operating instructions should be retained for future reference.
3. **Heed Warnings** - All warnings on the unit and in the operating instructions should be adhered to.
4. **Follow Instructions** - All operating and use instructions should be followed.
5. **Attachments** - Do not use attachments not recommended by the product manufacturer as they may cause hazards.
6. **Accessories** - Do not place this unit on an unstable stand, tripod, bracket, or mount. The unit may fall, causing serious injury to a person and serious damage to the unit. Use only with a stand, tripod, bracket, or mount recommended by the manufacturer or sold with the product. Any mounting of the unit should follow the manufacturer's instructions and should use a mounting accessory recommended by the manufacturer. An appliance and cart combination should be moved with care. Quick stops, excessive force, and uneven surfaces may cause the appliance and cart combination to overturn.
7. **Power Sources** - This unit should be operated only from the type of power source indicated on the marking label. If you are not sure of the type of power supply you plan to use, consult your appliance dealer or local power company. For units intended to operate from battery power or other sources, refer to the operating instructions.
8. **Power Lines** - An outdoor system should not be located in the vicinity of overhead power lines or other electric light or power circuits or where it can fall into such power lines or circuits. When installing an outdoor system, extreme care should be taken to keep from touching such power lines or circuits as contact with them might be fatal. U.S.A. models only - refer to the National Electrical Code Article 820 regarding installation of CATV systems.
9. **Servicing** - Do not attempt to service this unit yourself as opening or removing covers may expose you to dangerous voltage or other hazards. Refer all servicing to qualified service personnel.
10. **Replacement Parts** - When replacement parts are required, be sure the service technician has used replacement parts specified by the manufacturer or have the same characteristics as the original part. Unauthorized substitutions may result in fire, electric shock, or other hazards.
11. **Safety Check** - Upon completion of any service or repairs to this unit, ask the service technician to perform safety checks to determine that the unit is in proper operating condition.
12. **Coax Grounding** - If an outside cable system is connected to the unit, be sure the cable system is grounded. U.S.A. models only--Section 810 of the National Electrical Code, ANSI/NFPA No.70-1981, provides information with respect to proper grounding of the mount and supporting structure, grounding of the coax to a discharge unit, size of grounding conductors, location of discharge unit, connection to grounding electrodes, and requirements for the grounding electrode.

FCC & ICES INFORMATION (U.S.A.AND CANADIAN MODELS ONLY)

WARNING - This equipment has been tested and found to comply with the limits for a Class B digital device, pursuant to Part 15 of the FCC Rules and ICES-003 of Industry Canada. These limits are designed to provide reasonable protection against harmful interference when the equipment is operated in a residential installation. This equipment generates, uses, and radiates radio frequency energy and, if not installed and used in accordance with the instructions, may cause harmful interference to radio communications. Operation of this equipment in a residential area is likely to cause harmful interference, in which case the user will be required to correct the interference at his own expense. Intentional or unintentional changes or modifications not expressly approved by the party responsible for compliance shall not be made. Any such changes or modifications could void the user's authority to operate the equipment.

If necessary, the user should consult the dealer or an experienced radio/television technician for corrective action. The user may find the following booklet prepared by the Federal Communications Commission helpful: "How to Identify and Resolve Radio-TV Interference Problems." This booklet is available from the U.S. Government Printing Office, Washington, DC 20402, Stock No.004-000-00345-4.

SAFETY PRECAUTIONS

	CAUTION RISK OF ELECTRIC SHOCK. DO NOT OPEN!	
CAUTION: TO REDUCE THE RISK OF ELECTRICAL SHOCK, DO NOT OPEN COVERS. NO USER SERVICEABLE PARTS INSIDE. REFER SERVICING TO QUALIFIED SERVICE PERSONNEL.		

This label may appear on the bottom of the unit due to space limitations.



The lightning flash with an arrowhead symbol within an equilateral triangle is intended to alert the user to the presence of uninsulated "dangerous voltage" within the product's enclosure that may be of sufficient magnitude to constitute a risk of electric shock to persons.



The exclamation point within an equilateral triangle is intended to alert the user to presence of important operating and maintenance (servicing) instructions in the literature accompanying the appliance.

Summary

The Outdoor Housing (SHG-220/SHG-220S) is used for installing the Smartdome Camera on an outdoor wall or ceiling.

Precautions Before Installation

- Make sure that the proposed location can support the combined weights of the Corner Mounted Adaptor, Wall Mounted Adaptor, Outdoor Housing and Smartdome Camera (about 11 kg).
- Use a 24V AC, 3.0 A power adaptor.
- This goods should only be installed by a qualified technician using approved materials and wiring practices in accordance with national, state, and local electrical code.

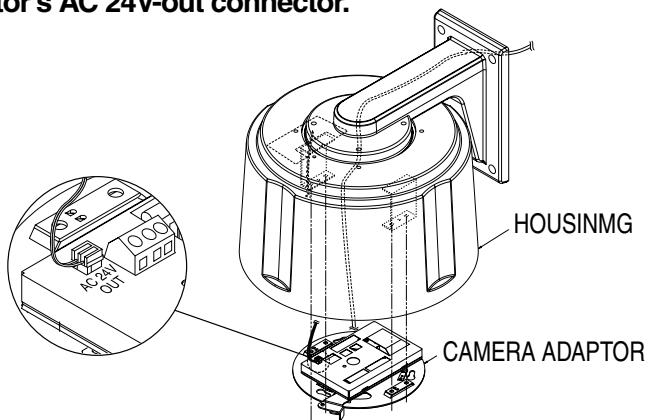
Installation

1 Select a location that is capable of supporting four times the total weight of the product to be installed.

2 Depending on the installation location, use the appropriate adaptor for installing the Outdoor Housing.

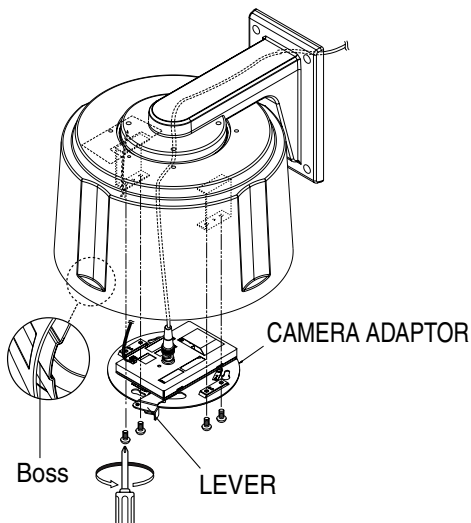
1. Wall Mounted Adaptor (SADT-100WM): For direct installation on a wall.
2. Ceiling Mounted Adaptor (SADT-100CM): For installation on a ceiling.
3. Pole Mounted Adaptor (SADT-100PM): For installation on a cylindrical pole.
 - The Wall Mounted Adaptor (SADT-100WM) is also used in conjunction with the Pole Mounted Adaptor.
4. Corner Mounted Adaptor (SADT-110CM): For installation in the corner of a wall.
 - The Wall Mounted Adaptor (SADT-100WM) is also used in conjunction with the Pole Mounted Adaptor.

3 Connect the Outdoor Housing power cable to the camera adaptor's AC 24V-out connector.



4 Connect the power cable, video-out cable and communications cable to the camera adaptor.
(For details, refer to the Smartdome Camera User's Guide.)

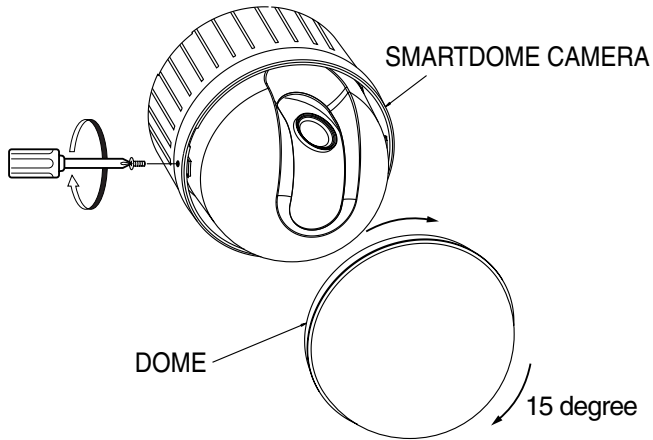
5 After tidying up the cables, align the camera adaptor lever with the cover top boss and fasten it to the cover top using four screws (M4 x 8).



6

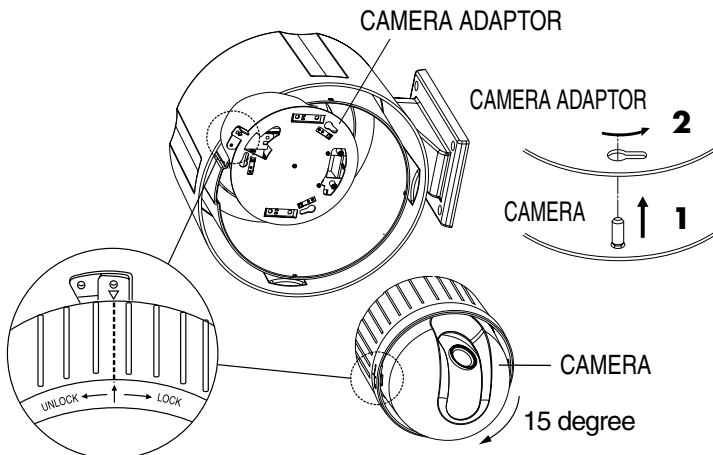
Disengage the dome from the Smartdome Camera.

- 1) Loosen the (M2) screw on the side of Smartdome Camera, turn the dome clockwise about 15 degrees and pull it off.



7

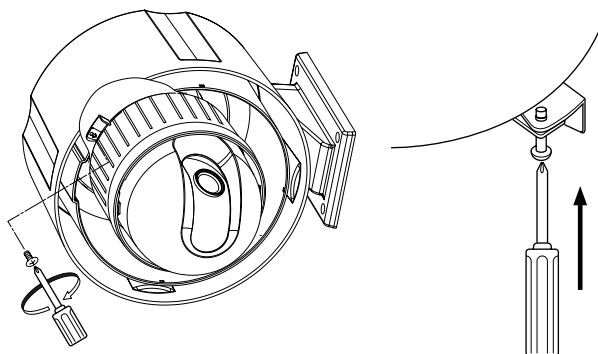
Align the arrow on the camera adaptor with the arrow on the Smartdome Camera, insert the three bosses on the back of the camera into the three camera adaptor holes, together with the connectors, and turn the camera about 15 degrees clockwise. (Listen for the click that confirms engagement and make sure that the locking lever returns to its original position.)



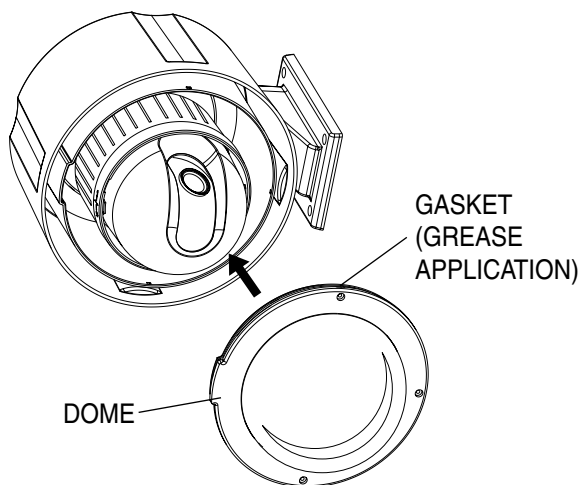
8

Secure the camera body to the camera adaptor using the screw (BH M3 x L8) provided with the Smartdome Camera.

- To disengage the camera from the camera adaptor, loosen the engaging screw (BH M3 x L8), turn the camera counterclockwise while the locking lever is turned clockwise, and pull the camera off.

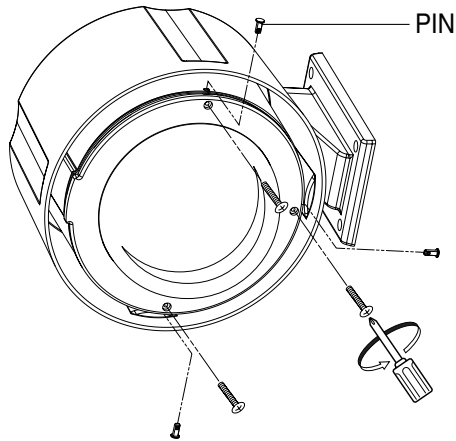
**9**

For smooth assembly of the dome, apply silicon grease to the gasket, align it with the boss and push the dome vertically into the housing.



10

Insert three pins into the side of the Housing and insert the screws (M3 x L12) into the pins from below.



Product Specifications

External dimensions:

Ø 266 x H259

Weight: 3.7kg

Suitable Temperature range:

- 40°~ 50°C

Suitable Humidity range:

0~100%

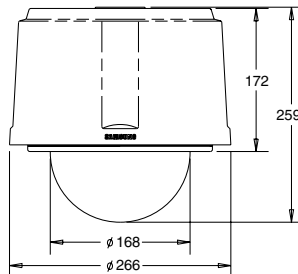
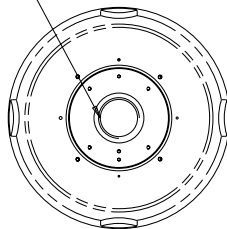
Fan operating temperature:

45°C or higher

Heater operating temperature:

10°C or less

1 1/2" NPT PIPE THREAD



Accessories

Screw(BH M3 X L12)	3
PIN	3
SILICON GREASE 5g	1



AB68-00235A
PRINTED IN KOREA

Free Manuals Download Website

<http://myh66.com>

<http://usermanuals.us>

<http://www.somanuals.com>

<http://www.4manuals.cc>

<http://www.manual-lib.com>

<http://www.404manual.com>

<http://www.luxmanual.com>

<http://aubethermostatmanual.com>

Golf course search by state

<http://golfingnear.com>

Email search by domain

<http://emailbydomain.com>

Auto manuals search

<http://auto.somanuals.com>

TV manuals search

<http://tv.somanuals.com>