



PORTABLE DVD PLAYER

DVD-L200W

DVD-L200

SAMSUNG

SERVICE MANUAL

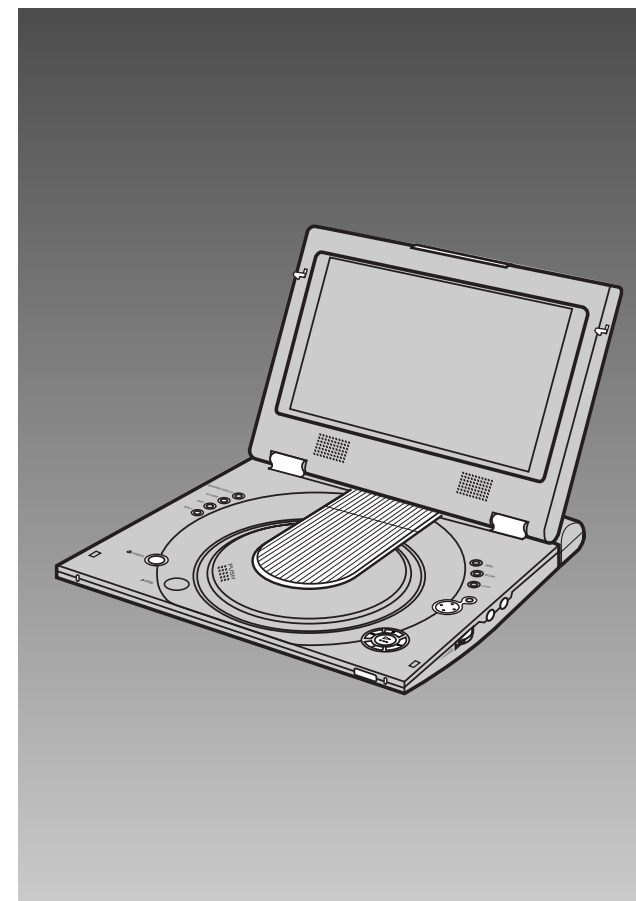
DVD-L200W/DVD-L200

SERVICE *Manual*



PORTABLE DVD PLAYER

CONTENTS



1. Precautions
2. Troubleshooting
3. Exploded Views and Parts List
4. Electrical Parts List
5. Block Diagram
6. Schematic Diagrams

This Service Manual is a property of Samsung Electronics Co., Ltd.
Any unauthorized use of Manual can be punished under applicable
International and/or domestic law.

© Samsung Electronics Co., Ltd. SEP. 2003
Printed in Korea
AK82-00404A

1. Precautions

1-1 Safety Precautions

1) Before returning an instrument to the customer, always make a safety check of the entire instrument, including, but not limited to, the following items:

(1) Be sure that no built-in protective devices are defective or have been defeated during servicing. (1) Protective shields are provided to protect both the technician and the customer. Correctly replace all missing protective shields, including any removed for servicing convenience.

(2) When reinstalling the chassis and/or other assembly in the cabinet, be sure to put back in place all protective devices, including, but not limited to, nonmetallic control knobs, insulating fish papers, adjustment and compartment covers/shields, and isolation resistor/capacitor networks. Do not operate this instrument or permit it to be operated without all protective devices correctly installed and functioning.

(2) Be sure that there are no cabinet openings through which adults or children might be able to insert their fingers and contact a hazardous voltage. Such openings include, but are not limited to, excessively wide cabinet ventilation slots, and an improperly fitted and/or incorrectly secured cabinet back cover.

(3) Leakage Current Hot Check-With the instrument completely reassembled, plug the AC line cord directly into a 120V AC outlet. (Do not use an isolation transformer during this test.) Use a leakage current tester or a metering system that complies with American National Standards Institute (ANSI) C101.1 Leakage Current for Appliances and Underwriters Laboratories (UL) 1270 (40.7). With the instrument's AC switch first in the ON position and then in the OFF position, measure from a known earth ground (metal water pipe, conduit, etc.) to all exposed metal parts of the instrument (antennas, handle brackets, metal cabinets, screwheads, metallic overlays, control shafts, etc.), especially any exposed metal parts that offer an electrical return path to the chassis.

Any current measured must not exceed 0.5mA. Reverse the instrument power cord plug in the outlet and repeat the test. See Fig. 1-1.

Any measurements not within the limits specified herein indicate a potential shock hazard that must be eliminated before returning the instrument to the customer.

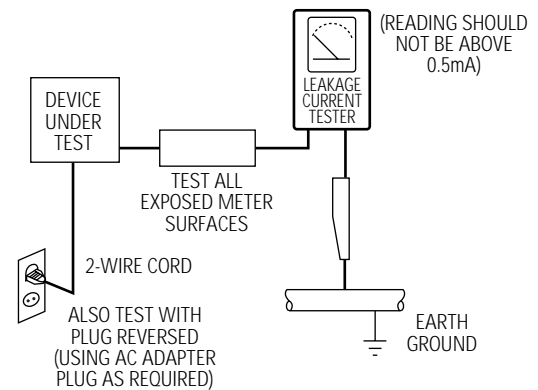


Fig. 1-1 AC Leakage Test

(4) Insulation Resistance Test Cold Check-(1) Unplug the power supply cord and connect a jumper wire between the two prongs of the plug. (2) Turn on the power switch of the instrument. (3) Measure the resistance with an ohmmeter between the jumpered AC plug and all exposed metallic cabinet parts on the instrument, such as screwheads, antenna, control shafts, handle brackets, etc. When an exposed metallic part has a return path to the chassis, the reading should be between 1 and 5.2 megohm. When there is no return path to the chassis, the reading must be infinite. If the reading is not within the limits specified, there is the possibility of a shock hazard, and the instrument must be repaired and rechecked before it is returned to the customer. See Fig. 1-2.

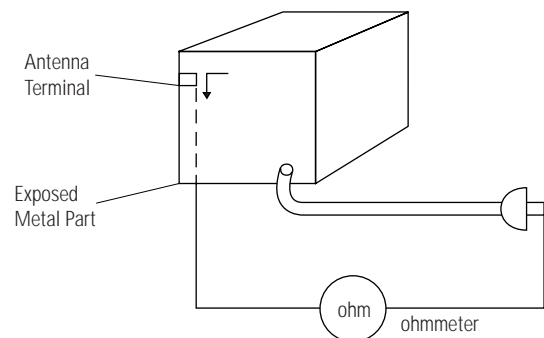




Fig. 1-2 Insulation Resistance Test

- 2) Read and comply with all caution and safety related notes on or inside the cabinet, or on the chassis.
- 3) Design Alteration Warning-Do not alter or add to the mechanical or electrical design of this instrument. Design alterations and additions, including but not limited to, circuit modifications and the addition of items such as auxiliary audio output connections, might alter the safety characteristics of this instrument and create a hazard to the user. Any design alterations or additions will make you, the servicer, responsible for personal injury or property damage resulting therefrom.
- 4) Observe original lead dress. Take extra care to assure correct lead dress in the following areas:
 - (1) near sharp edges, (2) near thermally hot parts (be sure that leads and components do not touch thermally hot parts), (3) the AC supply, (4) high voltage, and (5) antenna wiring. Always inspect in all areas for pinched, out-of-place, or frayed wiring. Do not change spacing between a component and the printed-circuit board. Check the AC power cord for damage.
- 5) Components, parts, and/or wiring that appear to have overheated or that are otherwise damaged should be replaced with components, parts and/or wiring that meet original specifications. Additionally, determine the cause of overheating and/or damage and, if necessary, take corrective action to remove any potential safety hazard.
- 6) Product Safety Notice-Some electrical and mechanical parts have special safety-related characteristics which are often not evident from visual inspection, nor can the protection they give necessarily be obtained by replacing them with components rated for higher voltage, wattage, etc. Parts that have special safety characteristics are identified by shading, an () or a () on schematics and parts lists. Use of a substitute replacement that does not have the same safety characteristics as the recommended replacement part might create shock, fire and/or other hazards. Product safety is under review continuously and new instructions are issued whenever appropriate.

1-2 Servicing Precautions

CAUTION : Before servicing units covered by this service manual and its supplements, read and follow the Safety Precautions section of this manual.

Note : If unforeseen circumstances create conflict between the following servicing precautions and any of the safety precautions, always follow the safety precautions. Remember: Safety First.

1-2-1 General Servicing Precautions

- (1) a. Always unplug the instrument's AC power cord from the AC power source before (1) re-moving or reinstalling any component, circuit board, module or any other instrument assembly, (2) disconnecting any instrument electrical plug or other electrical connection, (3) connecting a test substitute in parallel with an electrolytic capacitor in the instrument.
- b. Do not defeat any plug/socket B+ voltage interlocks with which instruments covered by this service manual might be equipped.
- c. Do not apply AC power to this instrument and /or any of its electrical assemblies unless all solid-state device heat sinks are correctly installed.
- d. Always connect a test instrument's ground lead to the instrument chassis ground before connecting the test instrument positive lead. Always remove the test instrument ground lead last.

Note : Refer to the Safety Precautions section ground lead last.

- (2) The service precautions are indicated or printed on the cabinet, chassis or components. When servicing, follow the printed or indicated service precautions and service materials.
- (3) The components used in the unit have a specified flame resistance and dielectric strength. When replacing components, use components which have the same ratings. Components identified by shading Δ or ∇ in the circuit diagram are important for safety or for the characteristics of the unit. Always replace them with the exact replacement components.

(4) An insulation tube or tape is sometimes used and some components are raised above the printed wiring board for safety. The internal wiring is sometimes clamped to prevent contact with heating components. Install such elements as they were.

(5) After servicing, always check that the removed screws, components, and wiring have been installed correctly and that the portion around the serviced part has not been damaged and so on. Further, check the insulation between the blades of the attachment plug and accessible conductive parts.

1-2-2 Insulation Checking Procedure

Disconnect the attachment plug from the AC outlet and turn the power ON. Connect the insulation resistance meter (500V) to the blades of the attachment plug. The insulation resistance between each blade of the attachment plug and accessible conductive parts (see note) should be more than 1 Megohm.

Note : Accessible conductive parts include metal panels, input terminals, earphone jacks, etc.

1-3 ESD Precautions

Electrostatically Sensitive Devices (ESD)

Some semiconductor (solid state) devices can be damaged easily by static electricity.

Such components commonly are called Electrostatically Sensitive Devices(ESD). Examples of typical ESD devices are integrated circuits and some field-effect transistors and semiconductor chip components. The following techniques should be used to help reduce the incidence of component damage caused by static electricity.

- (1) Immediately before handling any semiconductor component or semiconductor-equipped assembly, drain off any electrostatic charge on your body by touching a known earth ground. Alternatively, obtain and wear a commercially available discharging wrist strap device, which should be removed for potential shock reasons prior to applying power to the unit under test.
- (2) After removing an electrical assembly equipped with ESD devices, place the assembly on a conductive surface such as aluminum foil, to prevent electrostatic charge buildup or exposure of the assembly.
- (3) Use only a grounded-tip soldering iron to solder or unsolder ESD devices.
- (4) Use only an anti-static solder removal devices. Some solder removal devices not classified as "anti-static" can generate electrical charges sufficient to damage ESD devices.
- (5) Do not use freon-propelled chemicals. These can generate electrical charges sufficient to damage ESD devices.
- (6) Do not remove a replacement ESD device from its protective package until immediately before your are ready to install it.(Most replacement ESD devices are packaged with leads electrically shorted together by conductive foam, aluminum foil or comparable conductive materials).

- (7) Immediately before removing the protective materials from the leads of a replacement ESD device, touch the protective material to the chassis or circuit assembly into which the device will be installed.

CAUTION : Be sure no power is applied to the chassis or circuit, and observe all other safety precautions.

- (8) Minimize bodily motions when handling unpackaged replacement ESD devices. (Otherwise harmless motion such as the brushing together of your clothes fabric or the lifting of your foot from a carpeted floor can generate static electricity sufficient to damage an ESD device).

1-4 Handling the optical pick-up

The laser diode in the optical pick up may suffer electrostatic breakdown because of potential static electricity from clothing and your body.

The following method is recommended.

- (1) Place a conductive sheet on the work bench (The black sheet used for wrapping repair parts.)
- (2) Place the set on the conductive sheet so that the chassis is grounded to the sheet.
- (3) Place your hands on the conductive sheet (This gives them the same ground as the sheet.)
- (4) Remove the optical pick up block
- (5) Perform work on top of the conductive sheet. Be careful not to let your clothes or any other static sources to touch the unit.
 - ◆ Be sure to put on a wrist strap grounded to the sheet.
 - ◆ Be sure to lay a conductive sheet made of copper etc. Which is grounded to the table.

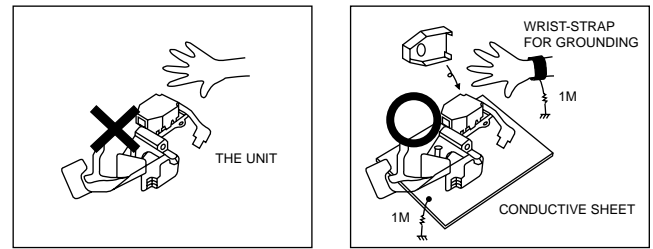


Fig.1-3

- (6) Short the short terminal on the PCB, which is inside the Pick-Up ASS'Y, before replacing the Pick-Up. (The short terminal is shorted when the Pick-Up Ass'y is being lifted or moved.)
- (7) After replacing the Pick-up, open the short terminal on the PCB.

1-5 Pick-up disassembly and reassembly

1-5-1 Disassembly

- 1) Remove the power cord.
- 2) Disassemble the Ass'y-DVD Deck.
- 3) Make solder land 3 points short on Pick-up FPC.
(See Fig. 1-4)
- 4) Disassemble the Pick-up.

1-5-2 Assembly

- 1) Replace the Pick-up.
- 2) Remove the soldering 3 points on Pick-up FPC.
- 3) Reassemble the Ass'y-DVD Deck.

Note : If the assembly and disassembly are not done in correct sequence, the Pick-up may be damaged.

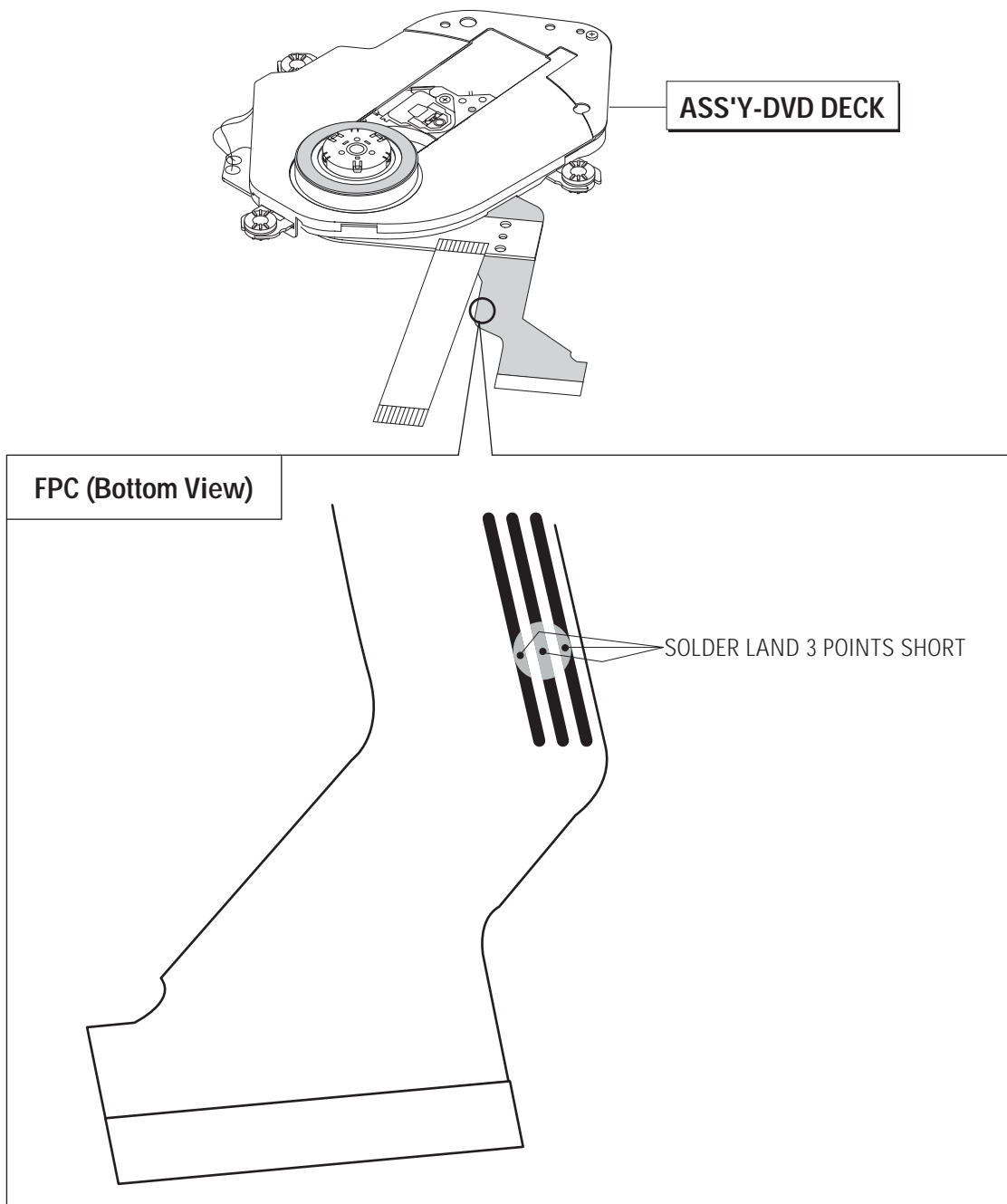
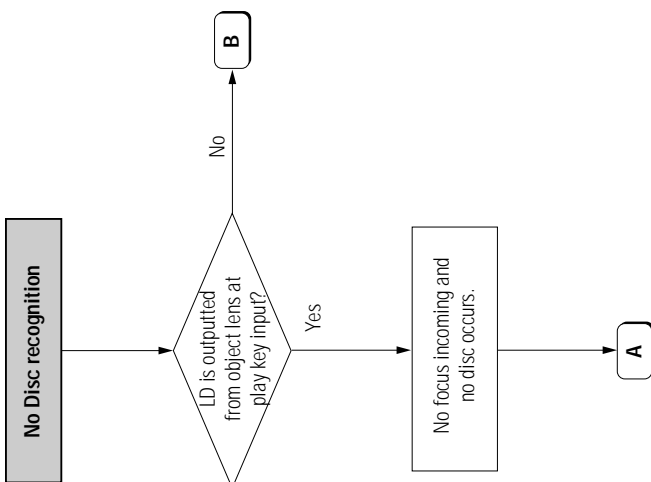
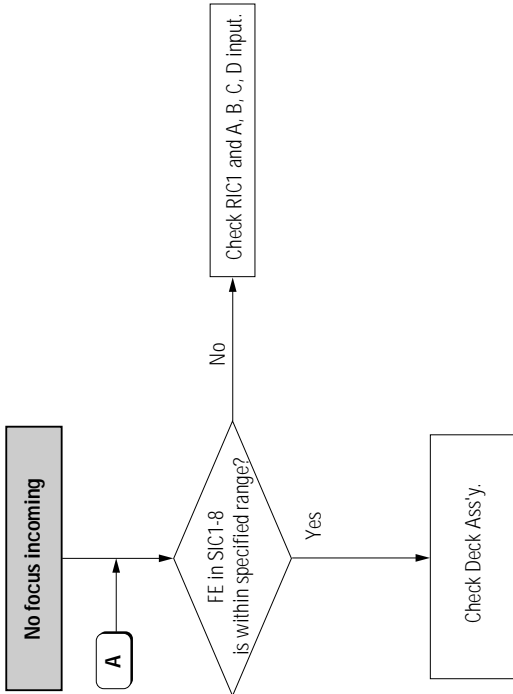
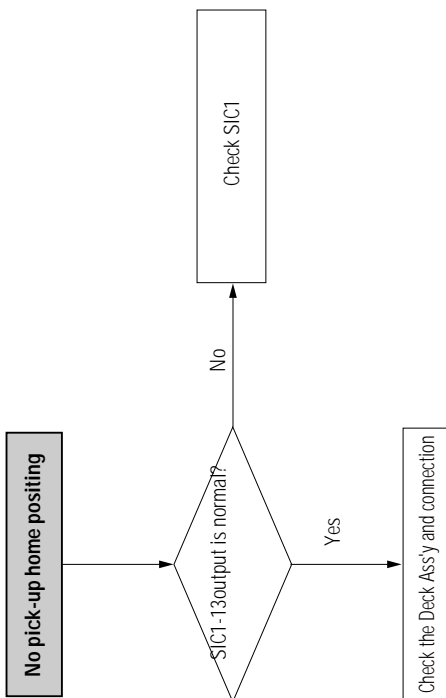
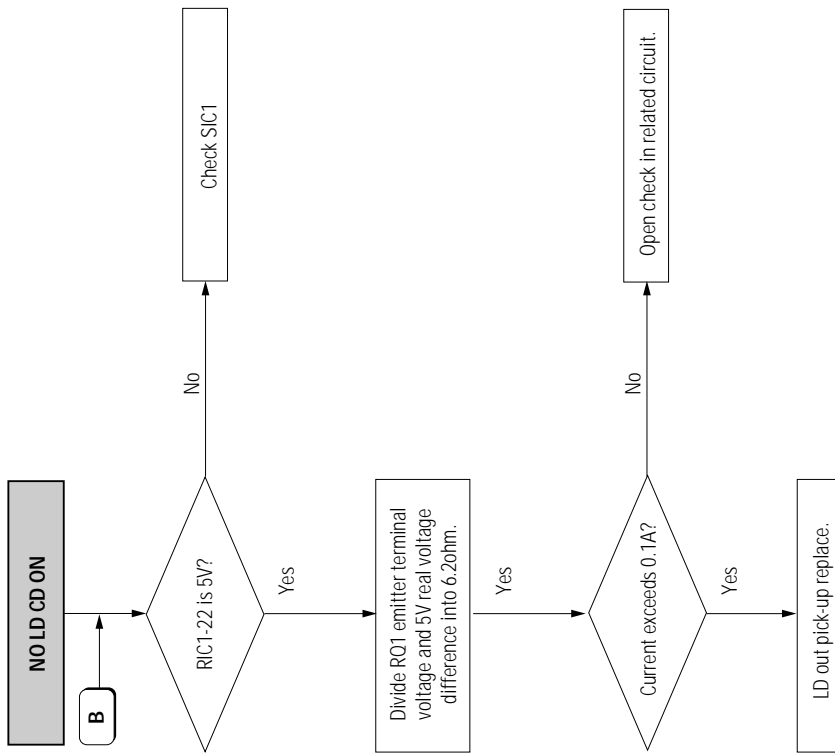
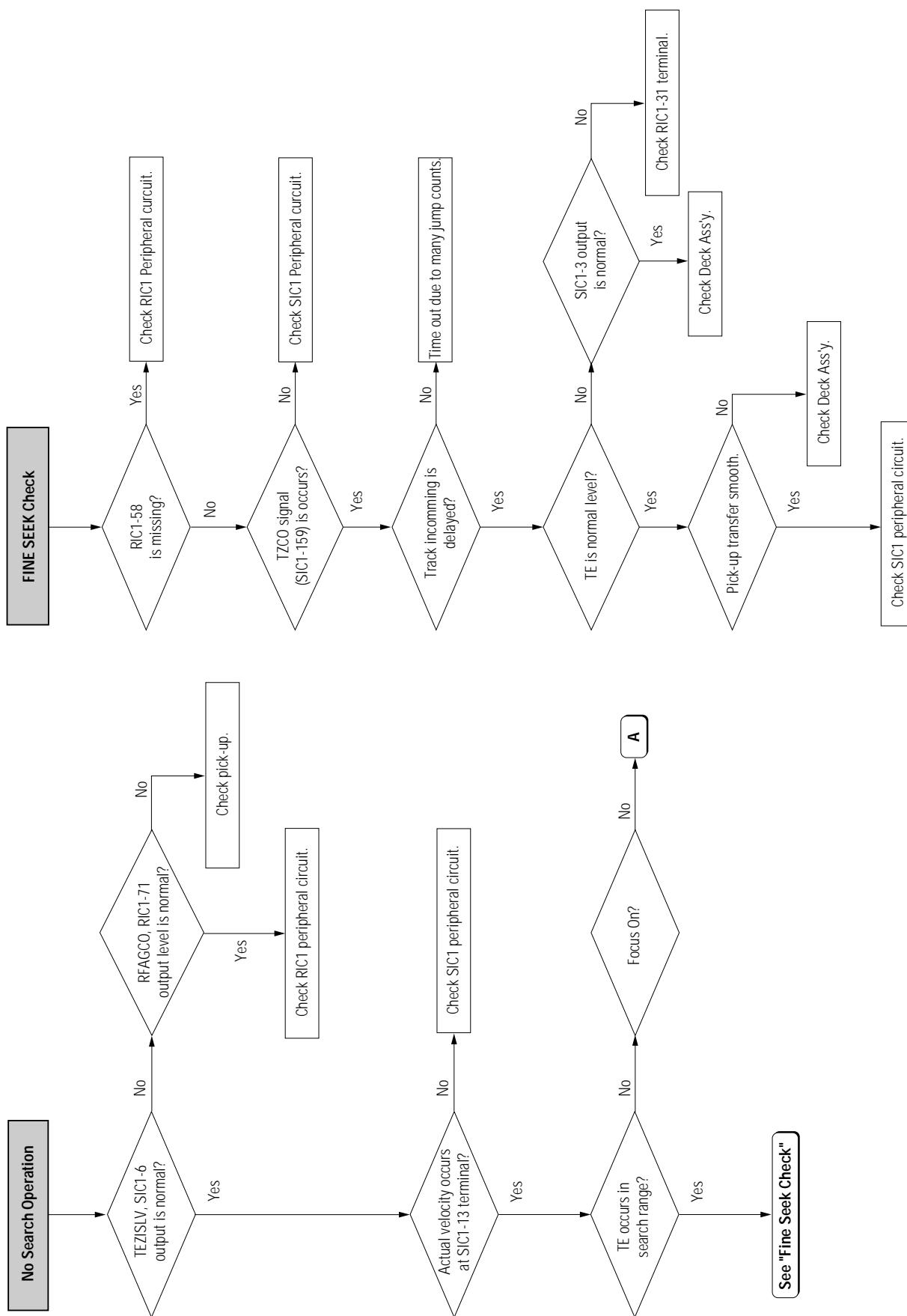


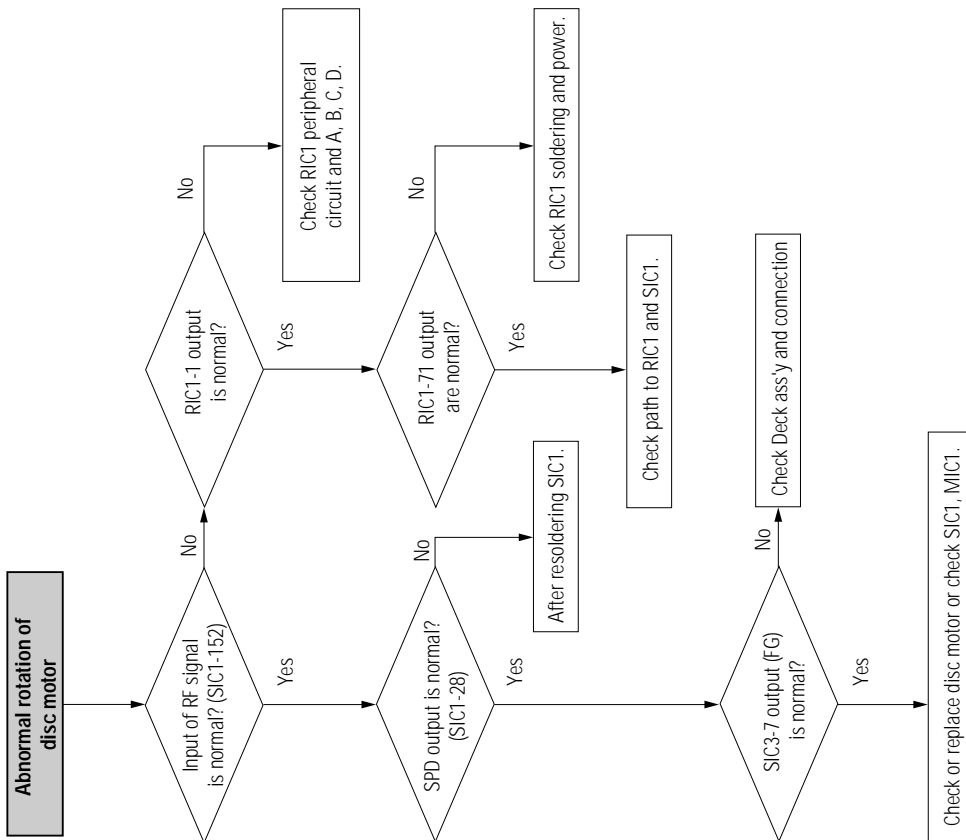
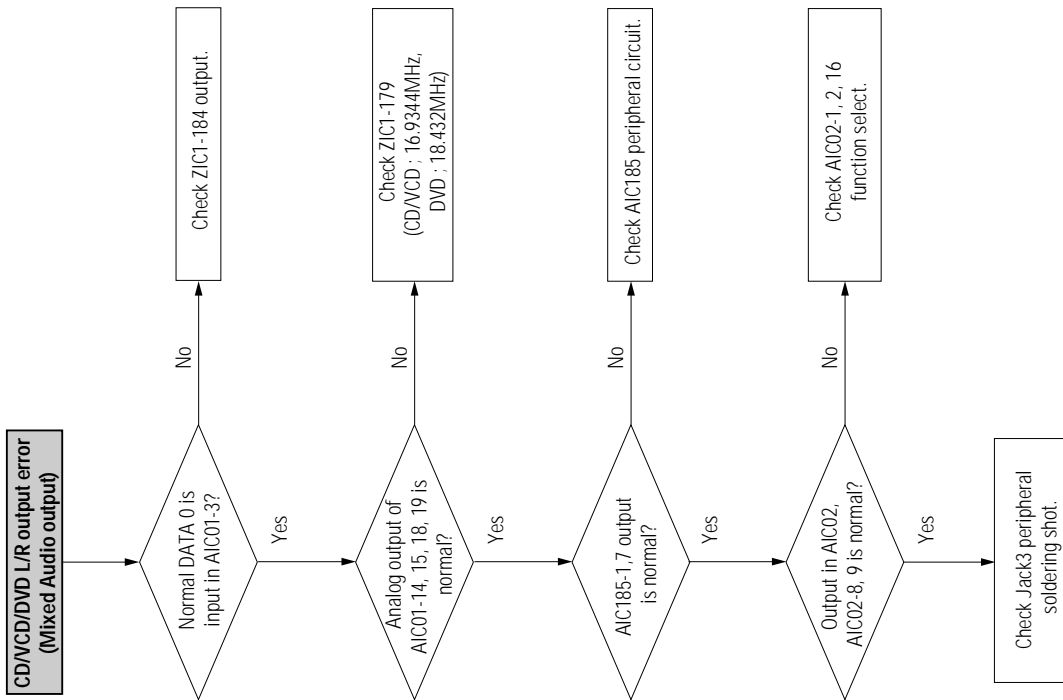
Fig. 1-4

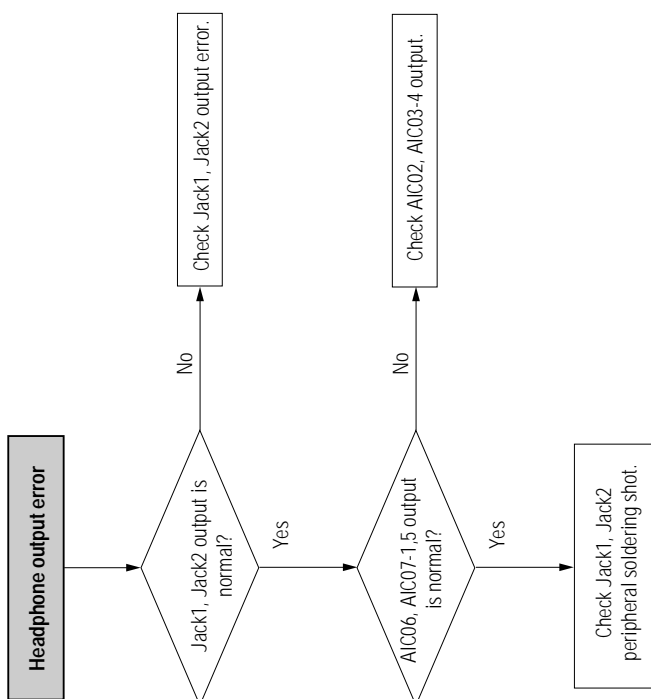
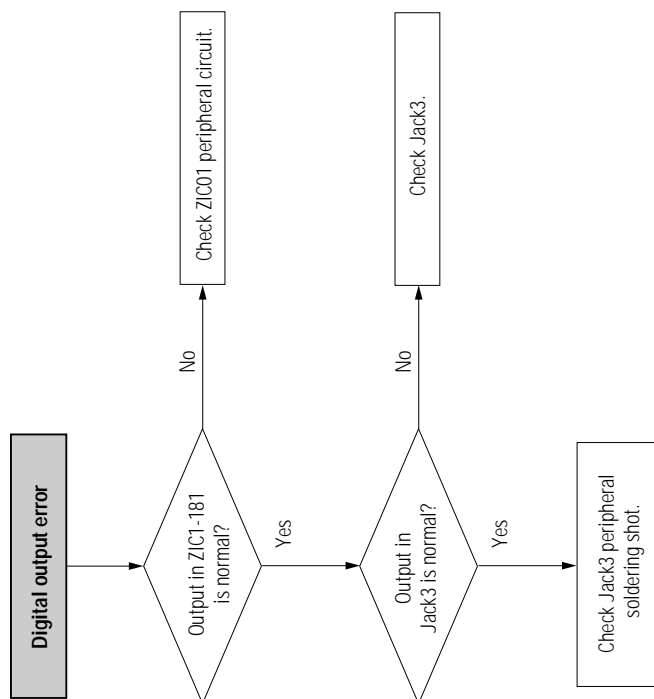
2. Troubleshooting

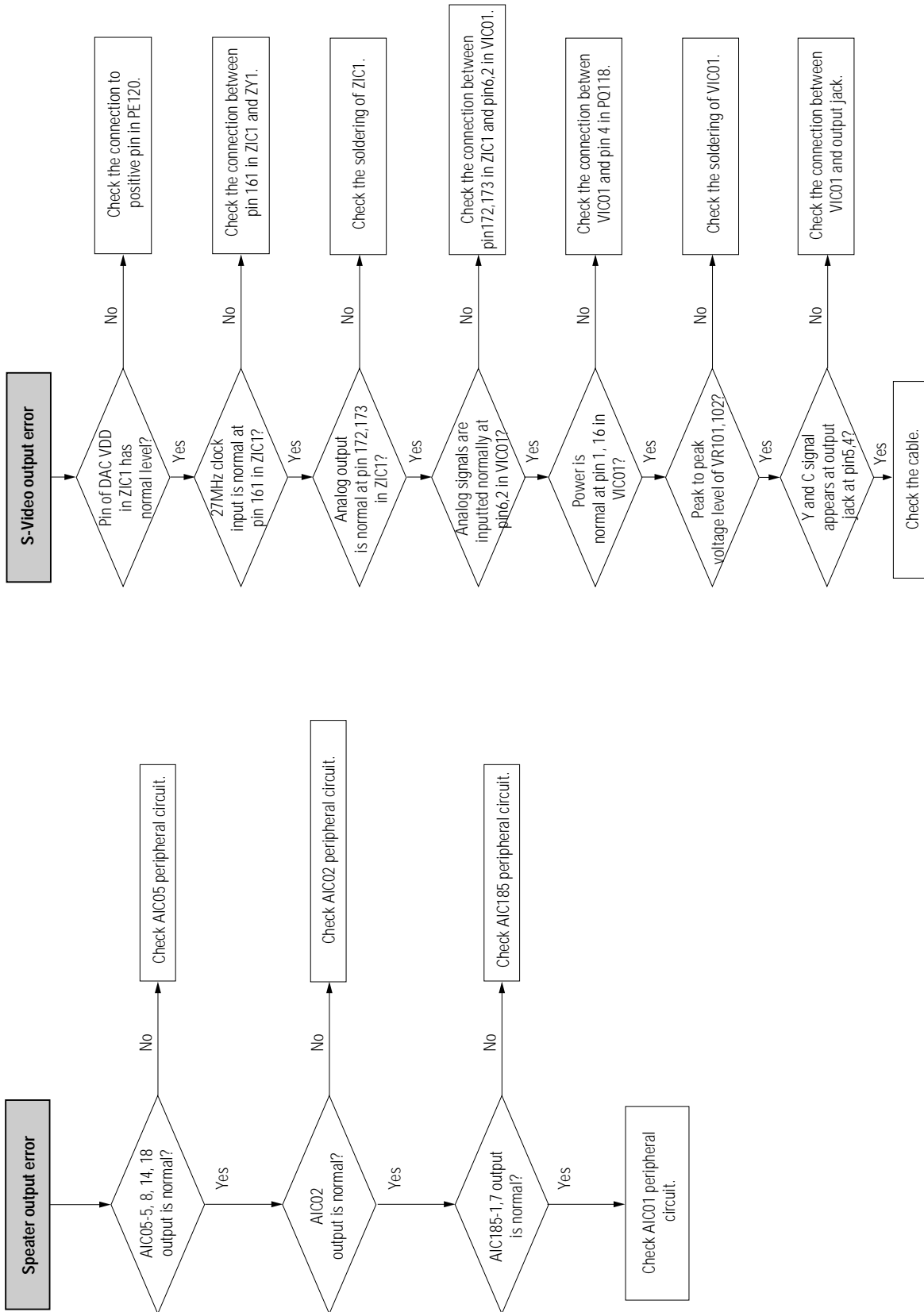


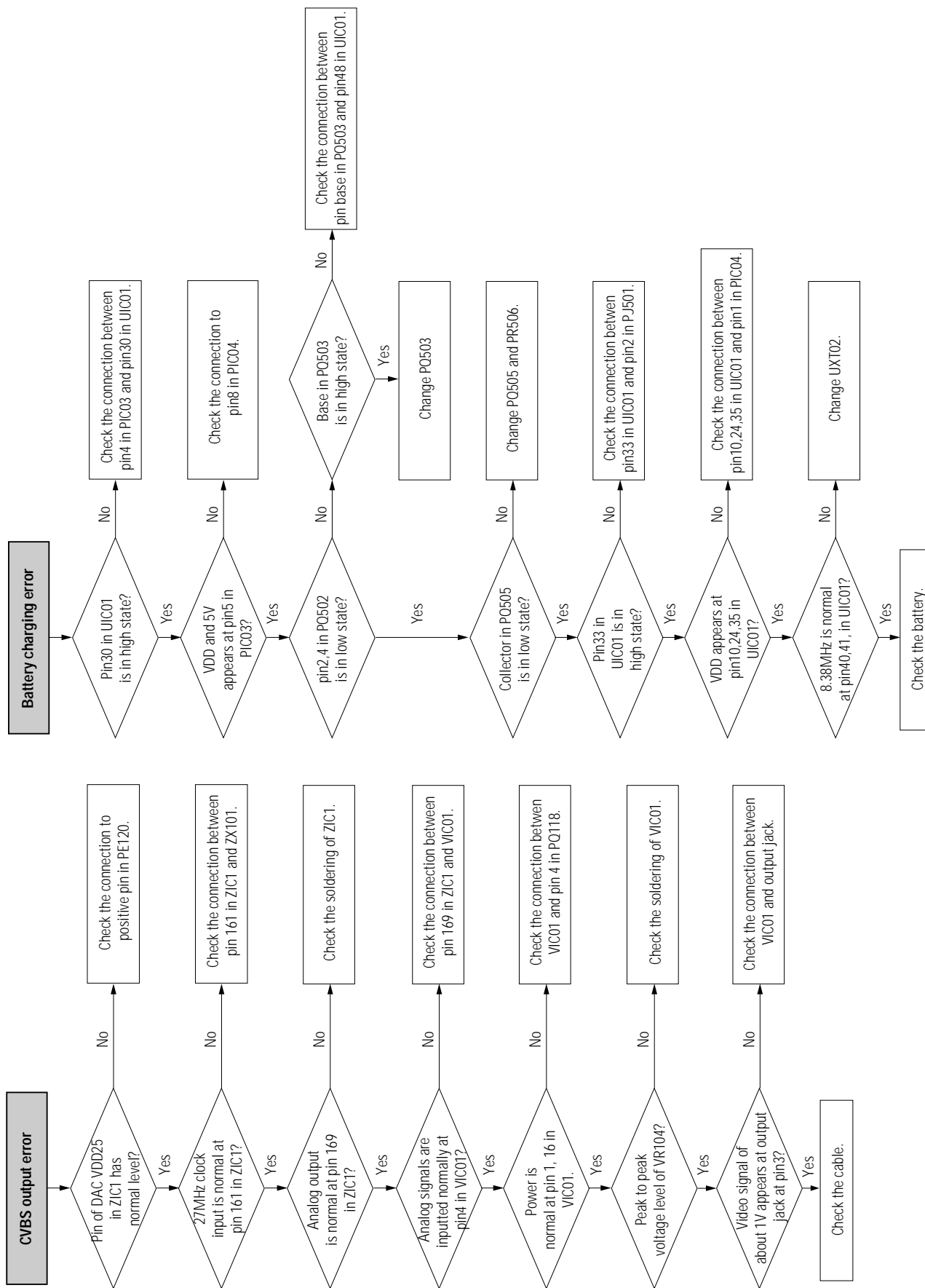


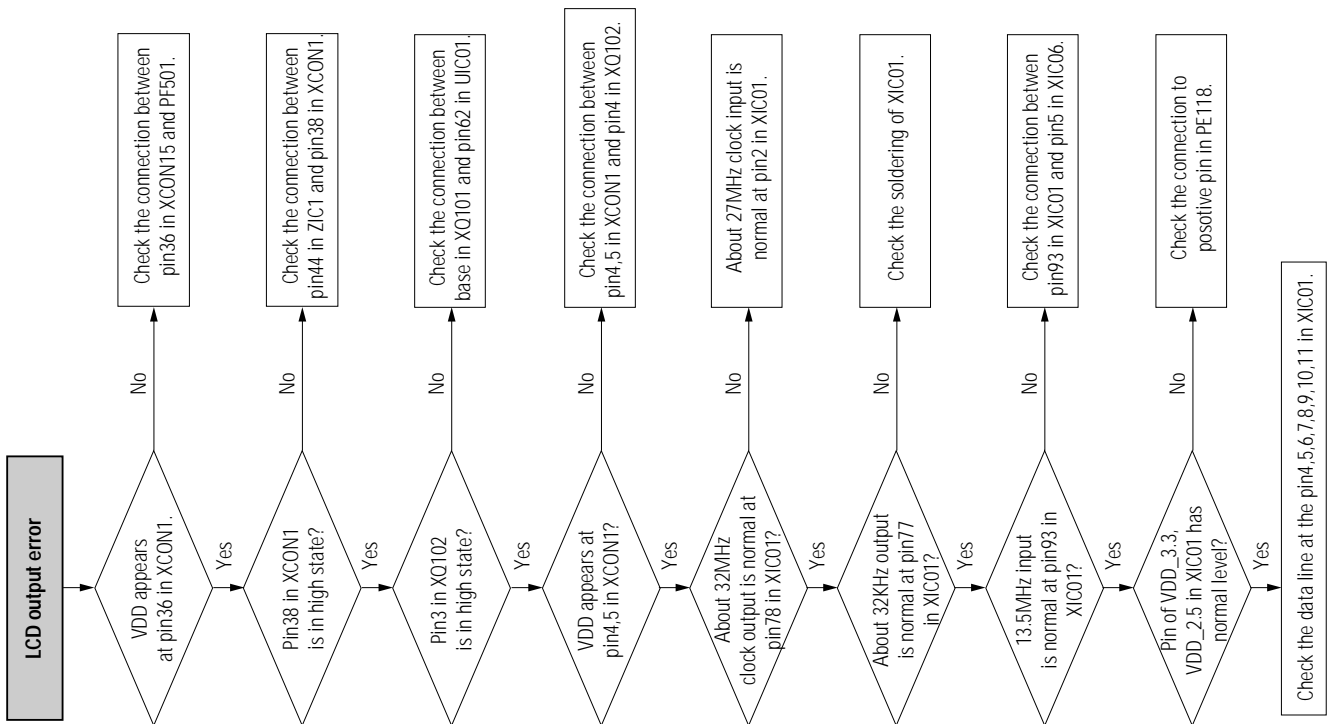












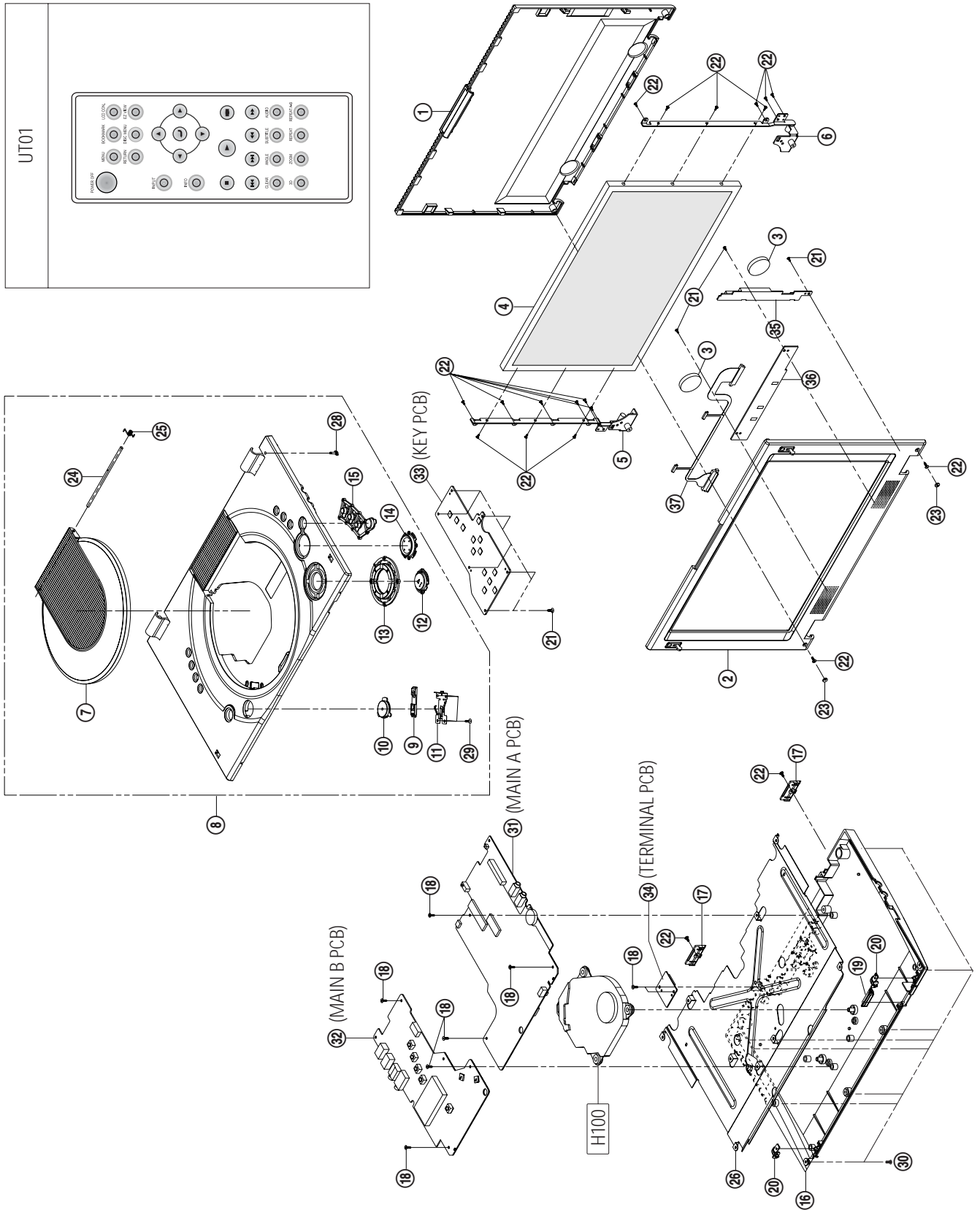
3. Exploded View and Parts List

	Page
3-1 Cabinet Assembly - - - - -	3-2
3-2 Deck Assembly - - - - -	3-4

Notice

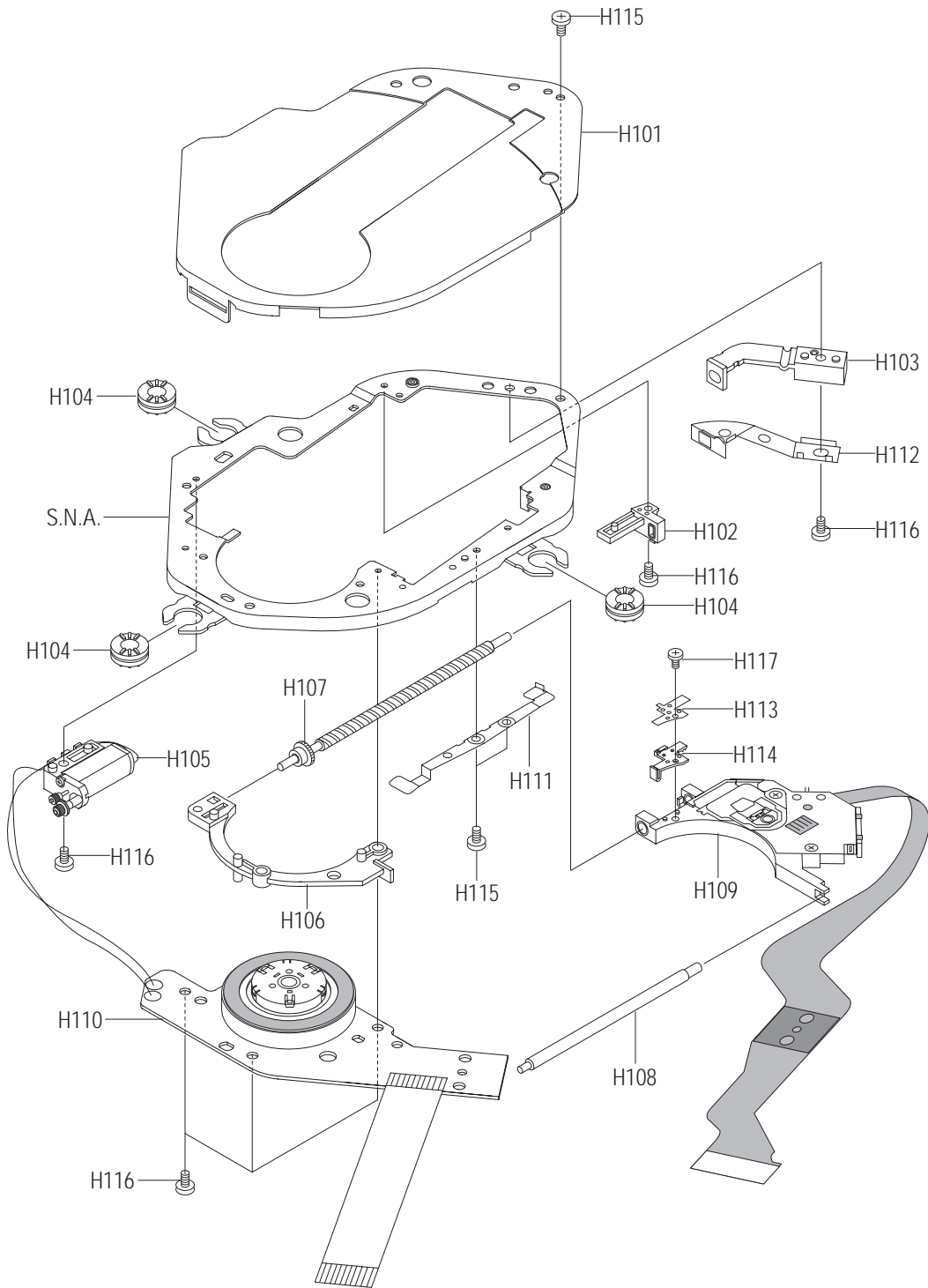
You can search for the updated part code through ITSELF web site.
URL; <http://itself.sec.samsung.co.kr>

3-1 Cabinet Assembly



Loc. No	Parts No.	Description ; Specification	Remark
1	AK97-00448B	ASSY-LCD BACK;ASSY,DVD-L200W,XEF	
2	AK97-00447A	ASSY-LCD FRONT;ASSY,DVD-L200,-	
3	3001-001349	SPEAKER;0.5W,8OHM,74DB,450HZ°æ90HZ	
4	AK07-00001B	LCD-170MMWIRE;10INCH 170mm,DVD-L200,800*	
5	AH61-01319A	HINGE-LEFT;DVD-L200,SUS,TO.8,-,-,-,-,-	
6	AH61-01320A	HINGE-RIGHT;DVD-L200,SUS,TO.8,-,-,-,-,-	
7	AK97-00449A	ASSY-COVER DISC;ASSY,DVD-L200,-	
8	AK97-00444A	ASSY-HOUSIG TOP;ASSY,DVD-L200,-	
9	AH64-02393A	BUTTON-OPEN GUIDE;DVD-L200,ABS 94 HB,-,-,-	
10	AH64-02389A	BUTTON-OPEN;DVD-L200,ABS 94 HB,-,-,-,-	
11	AH61-01364A	BRACKET-OPEN;DVD-L200,SUS 304,TO.2,W25,L	
12	AH64-02392A	BUTTON-FUNCTION;DVD-L200,ABS 94 HB,-,-,-	
13	AH64-02394A	BUTTON-PLAY;DVD-L200,ABS 94 HB,-,-,-,-	
14	AH64-02391A	BUTTON-SELECT;DVD-L200,ABS 94 HB,-,-,-,-	
15	AH64-02390A	BUTTON-MENU;DVD-L200,ABS 94 HB,-,-,-,-	
16	AK97-00446B	ASSY-HOUSING BOTTOM;ASSY,DVD-L200,XEF	
17	AH61-01315A	HOLDER-CAP;DVD-L200,PC+ABS,-,-,-,-,-	
18	6003-001446	SCREW-TAPTITE;BH,+,,M2,L5,NI PLT	
19	AH64-02398A	WINDOW-REMOCON;DVD-L200,ACRYL,-,-,-,-,-	
20	AH64-02487A	INDICATOR-LED;DVD-L200,PMMA,-,-,-,-,DVD-	
21	AC60-10024A	SCREW-MACHINE;-,-,FZW,FE,+,,M2,-,X3,-,-	
22	6001-001533	SCREW-MACHINE;PH,+,,M2.0,L4.0,CR PLT,SWRC	
23	AH69-00667B	CUSHION-LCD;DVD-L100,PORON,T1,-,-,-,-,-	
24	AK66-00005A	SHAFT-DISC;DVD-L100,SUS,-,OD1.8,-,-,-	
25	AH61-01102A	SPRING ETC-COVER;DVD-L100,SUS 304,-,-,-,-	
26	AH61-01322A	FRAME-HOUSING;DVD-L200,SPT,-,-,-,-,TO.5,-	
28	AH66-00224A	LEVER-LCD SW;DVD-L200,POM,-,-,-,-,-	
29	6001-001618	SCREW-MACHINE;PWH,+,,M2,L3,ZPC(YEL),SWRCH	
30	6001-001718	SCREW-MACHINE;BH,+,,M2,L5,NI PLT	
31	AK92-00215E	ASSY PCB-MAIN A;DVD-L200W/XSH,MAIN-A	Asia Only
	AK92-00215K	ASSY PCB-MAIN A;DVD-L200W/XEL,MAIN A	Other Only
	AK92-00215J	ASSY PCB-MAIN A;DVD-L200W/XST,MAIN A	U.A.E Only
32	AK92-00216A	ASSY PCB-MAIN B;DVD-L200/XAA,ASSY PCB MA	
33	AK92-00217A	ASSY PCB-KEY;DVD-L200/XAA,KEY PCB ASSY	
34	AH92-01542A	ASSY PCB-TERMINAL;DVD-L100,TERMINAL	
35	AK92-00275B	ASSY PCB-INVERTER;DVD-L200,INVERTER ASSY	
36	AK92-00218A	ASSY PCB-T/CON;DVD-L200/XAA,T/CON PCB AS	
37	AK39-00033A	LEAD CONNECTOR;DVD-L200,#40/MASS-COAXIAL	
H100	AK97-00318A	ASSY-DVD DECK;-,-,PORTABLE2,-	
UT01	AH59-01053L	REMOCON-ASSY;DVD-L200W/XEL,XEL,43*106,-,-	

3-2 Deck Assembly



Loc. No	Parts No.	Description ; Specification	Remark
H101	AK63-00023A	COVER-PU;DP-P2,SUS 304 T=0.3,-,-,-,-,-	
H102	AK61-00080A	BRACKET-SHAFT;DP-P2,POM,-,-,-,-,-	
H103	AK61-00081A	BRACKET-TILT;DP-P2,POM,-,-,-,-,-	
H104	AK73-00010A	RUBBER-INSULATOR;-BYUTL,-,50,-,BLK,-,-,-	
H105	AK97-00319A	ASSY-FEED MOTOR;-,-,PORTABLE2,-	
H106	AK61-00076A	BRACKET-SPINDLE MOTOR;DP-P2,POM,-,-,-,-,-	
H107	AK97-00320A	ASSY-LEAD SCREW;-,-,PORTABLE2,-	
H108	AK66-00020A	SHAFT-PU;DP-P2,SUS420J2,-,-,-,-,-	
H109	AK97-00312A	ASSY-PICK UP;-,-,SOH-DPS,ASSY-PICK-UP	
H110	AK31-00007A	MOTOR BLOWER-SPINDLE;-,-,DP-P2,-,-,-,-,-	
H111	AK61-00074A	SPRING ETC-SHAFT PU;DP-7,SUS304-CSP,-,-,-	
H112	AK61-00079A	SPRING ETC-SHAFT LEAD SCREW;DP-P2,SUS304	
H113	AK61-00082A	SPRING ETC-PU;DP-P2,SUS304-CSP,-,-,-,-,-	
H114	AK61-00078A	SPRING ETC-PU NUT;DP-P2,SUS304-CSP,-,-,-	
H115	6001-001197	SCREW-MACHINE;CH,+ ,M1.7,L2,NI PLT,SWRCH1	
H116	6001-001288	SCREW-MACHINE;CH(0.5),+ ,M1.7,L6.0,NI PLT	
H117	6002-001119	SCREW-TAPPING;CH,+ ,2,M1.7,L2.5,BLK,SWRCH	

MEMO

4. Electrical Parts List

Loc.No	Part No	Description ; Specification	Remark	Loc.No	Part No	Description ; Specification	Remark
31		ASSY PCB-MAIN A;		AE171	2404-001043	C-TA,CHIP:47uf,20%,10V,GP,TP,6032,-	
AC101	2203-005148	C-CER,CHIP:100nF,10%,16V,X7R,TP,1608,-		AE176	2404-000259	C-TA,CHIP:47uf,20%,6.3V,-,TP,6032,-	
AC102	2203-005148	C-CER,CHIP:100nF,10%,16V,X7R,TP,1608,-		AE177	2404-000259	C-TA,CHIP:47uf,20%,6.3V,-,TP,6032,-	
AC104	2203-001652	C-CER,CHIP:470nF,+80-20%,16V,Y5V,TP,1608		AE178	2404-000259	C-TA,CHIP:47uf,20%,6.3V,-,TP,6032,-	
AC109	2203-001652	C-CER,CHIP:470nF,+80-20%,16V,Y5V,TP,1608		AE179	2404-001043	C-TA,CHIP:47uf,20%,10V,GP,TP,6032,-	
AC111	2203-001652	C-CER,CHIP:470nF,+80-20%,16V,Y5V,TP,1608		AE185	2404-000256	C-TA,CHIP:47UF,20%,16V,GP,TP,7343	
AC112	2203-001652	C-CER,CHIP:470nF,+80-20%,16V,Y5V,TP,1608		AE186	2404-000256	C-TA,CHIP:47UF,20%,16V,GP,TP,7343	
AC113	2203-005148	C-CER,CHIP:100nF,10%,16V,X7R,TP,1608,-		AIC01	1002-001353	IC-D/A CONVERTER:CS4391,24Bits,TSSOP,20P	
AC120	2203-005148	C-CER,CHIP:100nF,10%,16V,X7R,TP,1608,-		AIC02	1001-001243	IC-ANALOG MULTIPLEX:MPC509AU,-,SOIC,16P,	
AC146	2203-005148	C-CER,CHIP:100nF,10%,16V,X7R,TP,1608,-		AIC05	1201-002010	IC-AUDIO AMP:TPA6017A2PW,P,TSSOP,20P,6.5x	
AC155	2203-005148	C-CER,CHIP:100nF,10%,16V,X7R,TP,1608,-		AIC06	1201-001869	IC-POWER AMP:TPA302,SOIC,8P,153MIL,SINGL	
AC156	2203-001052	C-CER,CHIP:0.56nF,10%,50V,X7R,TP,1608		AIC07	1201-001869	IC-POWER AMP:TPA302,SOIC,8P,153MIL,SINGL	
AC162	2203-001652	C-CER,CHIP:470nF,+80-20%,16V,Y5V,TP,1608		AIC08	1203-001791	IC-DC/DC CONVERTER:34063,SOP,8P,150MIL,P	
AC164	2203-001652	C-CER,CHIP:470nF,+80-20%,16V,Y5V,TP,1608		AIC185	1201-000163	IC-OP AMP:4560,SOP,8P,173MIL,DUAL,100V/m	
AC167	2203-001652	C-CER,CHIP:470nF,+80-20%,16V,Y5V,TP,1608		AIC186	1201-000163	IC-OP AMP:4560,SOP,8P,173MIL,DUAL,100V/m	
AC168	2203-001724	C-CER,CHIP:470nF,+80-20%,16V,Y5V,TP,321		AL101	2703-000398	INDUCTOR-SMD:10uH,10%,3225	
AC170	2203-001652	C-CER,CHIP:470nF,+80-20%,16V,Y5V,TP,1608		AL102	2703-000398	INDUCTOR-SMD:10uH,10%,3225	
AC171	2203-001222	C-CER,CHIP:820pf,10%,50V,X7R,TP,1608,-		AL103	2703-000398	INDUCTOR-SMD:10uH,10%,3225	
AC172	2203-001652	C-CER,CHIP:470nF,+80-20%,16V,Y5V,TP,1608		AL104	2703-000398	INDUCTOR-SMD:10uH,10%,3225	
AC173	2203-000140	C-CER,CHIP:1.5nF,10%,50V,X7R,TP,1608,-		AL105	2703-000398	INDUCTOR-SMD:10uH,10%,3225	
AC174	2203-001652	C-CER,CHIP:470nF,+80-20%,16V,Y5V,TP,1608		AL110	2703-002054	INDUCTOR-SMD:47uH,20%,6060	
AC175	2203-001652	C-CER,CHIP:470nF,+80-20%,16V,Y5V,TP,1608		AL148	2703-000002	INDUCTOR-SMD:100uH,10%,3225	
AC176	2203-005148	C-CER,CHIP:100nF,10%,16V,X7R,TP,1608,-		AL150	3301-001480	BEAD-SMD:1KOHM,4.5X3.2X2.3MM,200MA,TPF	
AC177	2203-001652	C-CER,CHIP:470nF,+80-20%,16V,Y5V,TP,1608		AL151	3301-001480	BEAD-SMD:1KOHM,4.5X3.2X2.3MM,200MA,TPF	
AC178	2203-000140	C-CER,CHIP:1.5nF,10%,50V,X7R,TP,1608,-		AQ105	0504-001025	TR-DIGITAL:DTC143EE,NPN,150mW,4.7K,EMT3,	
AC179	2203-001652	C-CER,CHIP:470nF,+80-20%,16V,Y5V,TP,1608		AQ106	0504-001025	TR-DIGITAL:DTC143EE,NPN,150mW,4.7K,EMT3,	
AC181	2203-001222	C-CER,CHIP:820pf,10%,50V,X7R,TP,1608,-		AQ151	0501-000314	TR-SMALL SIGNAL:KSA812,PNP,150mW,SOT-23,	
AC185	2203-005148	C-CER,CHIP:100nF,10%,16V,X7R,TP,1608,-		AQ152	0501-000314	TR-SMALL SIGNAL:KSA812,PNP,150mW,SOT-23,	
AC186	2203-000531	C-CER,CHIP:2.7nF,10%,50V,X7R,TP,1608,-		AQ153	0504-000113	TR-DIGITAL:DTC144EUA,NPN,200mW,47K/47K,S	
AC187	2203-000531	C-CER,CHIP:2.7nF,10%,50V,X7R,TP,1608,-		AQ180	0501-000314	TR-SMALL SIGNAL:KSA812,PNP,150mW,SOT-23,	
AC188	2203-001052	C-CER,CHIP:0.56nF,10%,50V,X7R,TP,1608		AQ181	0504-001025	TR-DIGITAL:DTC143EE,NPN,150mW,4.7K,EMT3,	
AC189	2203-001052	C-CER,CHIP:0.56nF,10%,50V,X7R,TP,1608		AQ223	0501-000218	TR-SMALL SIGNAL:2SC4081,NPN,200mW,UMT,TP	
AC190	2203-005148	C-CER,CHIP:100nF,10%,16V,X7R,TP,1608,-		AQ224	0501-000218	TR-SMALL SIGNAL:2SC4081,NPN,200mW,UMT,TP	
AC191	2203-001052	C-CER,CHIP:0.56nF,10%,50V,X7R,TP,1608		AQ225	0501-000218	TR-SMALL SIGNAL:2SC4081,NPN,200mW,UMT,TP	
AC192	2203-001052	C-CER,CHIP:0.56nF,10%,50V,X7R,TP,1608		AQ226	0501-000218	TR-SMALL SIGNAL:2SC4081,NPN,200mW,UMT,TP	
AC199	2203-005148	C-CER,CHIP:100nF,10%,16V,X7R,TP,1608,-		AR122	2007-000090	R-CHIP:10Kohm,5%,1/10W,TP,1608	
AC220	2203-005148	C-CER,CHIP:100nF,10%,16V,X7R,TP,1608,-		AR123	2007-000090	R-CHIP:10Kohm,5%,1/10W,TP,1608	
AC221	2203-005148	C-CER,CHIP:100nF,10%,16V,X7R,TP,1608,-		AR124	2007-000078	R-CHIP:1Kohm,5%,1/10W,TP,1608	
AC222	2203-000440	C-CER,CHIP:1nF,10%,50V,X7R,TP,1608,-		AR125	2007-000092	R-CHIP:15Kohm,5%,1/10W,TP,1608	
AC223	2203-000440	C-CER,CHIP:1nF,10%,50V,X7R,TP,1608,-		AR126	2007-000078	R-CHIP:1Kohm,5%,1/10W,TP,1608	
AC224	2203-005148	C-CER,CHIP:100nF,10%,16V,X7R,TP,1608,-		AR128	2007-000119	R-CHIP:560ohm,5%,1/10W,TP,1608	
AC225	2203-005148	C-CER,CHIP:100nF,10%,16V,X7R,TP,1608,-		AR129	2007-000119	R-CHIP:560ohm,5%,1/10W,TP,1608	
AC226	2203-000440	C-CER,CHIP:1nF,10%,50V,X7R,TP,1608,-		AR131	2007-000090	R-CHIP:10Kohm,5%,1/10W,TP,1608	
AC227	2203-000440	C-CER,CHIP:1nF,10%,50V,X7R,TP,1608,-		AR132	2007-000090	R-CHIP:10Kohm,5%,1/10W,TP,1608	
AC228	2203-000531	C-CER,CHIP:2.7nF,10%,50V,X7R,TP,1608,-		AR136	2007-000102	R-CHIP:100Kohm,5%,1/10W,TP,1608	
AC229	2203-000531	C-CER,CHIP:2.7nF,10%,50V,X7R,TP,1608,-		AR137	2007-000102	R-CHIP:100Kohm,5%,1/10W,TP,1608	
AC234	2203-000257	C-CER,CHIP:10nF,10%,50V,X7R,TP,1608		AR139	2007-000078	R-CHIP:1Kohm,5%,1/10W,TP,1608	
AD110	0404-001173	DIODE-SCHOTTKY:RB081L-20,20V,4000MA,SOD-		AR150	2007-000090	R-CHIP:10Kohm,5%,1/10W,TP,1608	
AD113	0407-001004	DIODE-ARRAY:DAN202JU,80V,300mA,CA2-3,UMT,		AR161	2007-000034	R-CHIP:10HM,5%,1/4W,DA,TP,3216	
AD221	0407-000116	DIODE-ARRAY:DAP202K,80V,100mA,CK2-3,SOT-		AR162	2007-000905	R-CHIP:430ohm,5%,1/10W,TP,1608	
AD222	0407-000116	DIODE-ARRAY:DAP202K,80V,100mA,CK2-3,SOT-		AR163	2007-000805	R-CHIP:36Kohm,5%,1/10W,TP,1608	
AE101	2404-001043	C-TA,CHIP:47uf,20%,10V,GP,TP,6032,-		AR164	2007-000965	R-CHIP:5.1Kohm,5%,1/10W,TP,1608	
AE103	2404-000256	C-TA,CHIP:47UF,20%,16V,GP,TP,7343		AR170	2007-000090	R-CHIP:10Kohm,5%,1/10W,TP,1608	
AE113	2404-000275	C-TA,CHIP:100UF,10%,10V,GP,TP,7343		AR171	2007-000127	R-CHIP:9.1Kohm,5%,1/10W,TP,1608	
AE114	2404-000275	C-TA,CHIP:100UF,10%,10V,GP,TP,7343		AR172	2007-000127	R-CHIP:9.1Kohm,5%,1/10W,TP,1608	
AE130	2404-000275	C-TA,CHIP:100UF,10%,10V,GP,TP,7343		AR173	2007-000090	R-CHIP:10Kohm,5%,1/10W,TP,1608	
AE148	2404-000256	C-TA,CHIP:47UF,20%,16V,GP,TP,7343		AR174	2007-000090	R-CHIP:10Kohm,5%,1/10W,TP,1608	
AE155	2404-000299	C-TA,CHIP:22uf,20%,16V,-,TP,6032,-		AR175	2007-000090	R-CHIP:10Kohm,5%,1/10W,TP,1608	
AE165	2404-001001	C-TA,CHIP:10uf,10%,6.3V,GP,TP,3216,3.2mm		AR176	2007-000127	R-CHIP:9.1Kohm,5%,1/10W,TP,1608	
AE166	2404-000299	C-TA,CHIP:22uf,20%,16V,-,TP,6032,-		AR177	2007-000127	R-CHIP:9.1Kohm,5%,1/10W,TP,1608	
AE167	2404-001001	C-TA,CHIP:10uf,10%,6.3V,GP,TP,3216,3.2mm		AR178	2007-000086	R-CHIP:5.6Kohm,5%,1/10W,TP,1608	

Electrical Parts List

Loc.No	Part No	Description ; Specification	Remark	Loc.No	Part No	Description ; Specification	Remark
AR179	2007-00086	R-CHIP:5.6Kohm,5%,1/10W,TP,1608		FE6	2404-001001	C-TA,CHIP:10uF,10%,6.3V/GP,TP,3216,3.2mm	
AR180	2007-00086	R-CHIP:5.6Kohm,5%,1/10W,TP,1608		FL1	2703-000398	INDUCTOR-SMD:10uH,10%,3225	
AR181	2007-00086	R-CHIP:5.6Kohm,5%,1/10W,TP,1608		FR1	2007-000084	R-CHIP:4.7Kohm,5%,1/10W,TP,1608	
AR182	2007-00086	R-CHIP:5.6Kohm,5%,1/10W,TP,1608		FR10	2007-000092	R-CHIP:15Kohm,5%,1/10W,TP,1608	
AR183	2007-00086	R-CHIP:5.6Kohm,5%,1/10W,TP,1608		FR15	2007-000655	R-CHIP:27Kohm,5%,1/10W,TP,1608	
AR184	2007-000122	R-CHIP:1.2Kohm,5%,1/10W,TP,1608		FR16	2007-000090	R-CHIP:10Kohm,5%,1/10W,TP,1608	
AR185	2007-000122	R-CHIP:1.2Kohm,5%,1/10W,TP,1608		FR17	2007-000088	R-CHIP:7.5Kohm,5%,1/10W,TP,1608	
AR186	2007-000122	R-CHIP:1.2Kohm,5%,1/10W,TP,1608		FR18	2007-000092	R-CHIP:15Kohm,5%,1/10W,TP,1608	
AR187	2007-000122	R-CHIP:1.2Kohm,5%,1/10W,TP,1608		FR2	2007-000084	R-CHIP:4.7Kohm,5%,1/10W,TP,1608	
AR188	2007-00086	R-CHIP:5.6Kohm,5%,1/10W,TP,1608		FR3	2007-000034	R-CHIP:10HM,5%,1/4W,DA,TP,3216	
AR189	2007-00086	R-CHIP:5.6Kohm,5%,1/10W,TP,1608		FR4	2007-000034	R-CHIP:10HM,5%,1/4W,DA,TP,3216	
AR190	2007-000704	R-CHIP:3.6Kohm,5%,1/10W,TP,1608		FR5	2007-000092	R-CHIP:15Kohm,5%,1/10W,TP,1608	
AR191	2007-00086	R-CHIP:5.6Kohm,5%,1/10W,TP,1608		FR6	2007-000090	R-CHIP:10Kohm,5%,1/10W,TP,1608	
AR192	2007-000078	R-CHIP:1Kohm,5%,1/10W,TP,1608		FR7	2007-000093	R-CHIP:20Kohm,5%,1/10W,TP,1608	
AR212	2007-000074	R-CHIP:100ohm,5%,1/10W,TP,1608		FR8	2007-000090	R-CHIP:10Kohm,5%,1/10W,TP,1608	
AR213	2007-000074	R-CHIP:100ohm,5%,1/10W,TP,1608		FR9	2007-000093	R-CHIP:20Kohm,5%,1/10W,TP,1608	
AR220	2007-000077	R-CHIP:470ohm,5%,1/10W,TP,1608		JACK1	3722-001737	JACK-PHONE:4P:3.6PI,AG,GRN,-	
AR221	2007-000077	R-CHIP:470ohm,5%,1/10W,TP,1608		JACK2	3722-001737	JACK-PHONE:4P:3.6PI,AG,GRN,-	
AR222	2007-000077	R-CHIP:470ohm,5%,1/10W,TP,1608		JP5	2007-000070	R-CHIP:0ohm,5%,1/10W,TP,1608	
AR223	2007-000077	R-CHIP:470ohm,5%,1/10W,TP,1608		JP6	2007-000070	R-CHIP:0ohm,5%,1/10W,TP,1608	
AR225	2007-000113	R-CHIP:33ohm,5%,1/10W,TP,1608		PC122	2203-005148	C-CER,CHIP:100nf,10%,16V,X7R,TP,1608,-	
AR226	2007-000113	R-CHIP:33ohm,5%,1/10W,TP,1608		PC123	2203-005148	C-CER,CHIP:100nf,10%,16V,X7R,TP,1608,-	
AR227	2007-000071	R-CHIP:22ohm,5%,1/10W,TP,1608		PC133	2203-005148	C-CER,CHIP:100nf,10%,16V,X7R,TP,1608,-	
AR228	2007-000071	R-CHIP:22ohm,5%,1/10W,TP,1608		PC134	2203-005148	C-CER,CHIP:100nf,10%,16V,X7R,TP,1608,-	
AR229	2007-000113	R-CHIP:33ohm,5%,1/10W,TP,1608		PC138	2203-005148	C-CER,CHIP:100nf,10%,16V,X7R,TP,1608,-	
AR230	2007-000113	R-CHIP:33ohm,5%,1/10W,TP,1608		PC140	2203-005148	C-CER,CHIP:100nf,10%,16V,X7R,TP,1608,-	
AR231	2007-000071	R-CHIP:22ohm,5%,1/10W,TP,1608		PC141	2203-005148	C-CER,CHIP:100nf,10%,16V,X7R,TP,1608,-	
AR232	2007-000071	R-CHIP:22ohm,5%,1/10W,TP,1608		PC142	2203-005148	C-CER,CHIP:100nf,10%,16V,X7R,TP,1608,-	
AR235	2007-000090	R-CHIP:10Kohm,5%,1/10W,TP,1608		PC143	2203-005148	C-CER,CHIP:100nf,10%,16V,X7R,TP,1608,-	
AR236	2007-000090	R-CHIP:10Kohm,5%,1/10W,TP,1608		PC180	2203-005148	C-CER,CHIP:100nf,10%,16V,X7R,TP,1608,-	
AR237	2007-000078	R-CHIP:1Kohm,5%,1/10W,TP,1608		PCON3	3708-001728	CONNECTOR-FPC/FFC/PIC:36P:0.5MM,SMD-A,SN	
AVR01	2101-001108	VR-ROTARY:10KOHM,30%,0.01W,TOP		PCON6	3708-001728	CONNECTOR-FPC/FFC/PIC:36P:0.5MM,SMD-A,SN	
BSW01	3409-001082	SWITCH-DETECTOR:20V DC,50MA,SPST,30GF,-		PE103	2404-000304	C-TA,CHIP:22uF,20%,6.3V,-,TP,3528,-	
DC1	2203-005148	C-CER,CHIP:100nf,10%,16V,X7R,TP,1608,-		PE105	2404-001131	C-TA,CHIP:22UF,10%,10V,GP,TP,3528	
DC2	2203-005148	C-CER,CHIP:100nf,10%,16V,X7R,TP,1608,-		PE111	2404-001131	C-TA,CHIP:22UF,10%,10V,GP,TP,3528	
DCN101	3708-001818	CONNECTOR-FPC/FFC/PIC:22P:1MM,SMD-A,SN		PE112	2404-000304	C-TA,CHIP:22uF,20%,6.3V,-,TP,3528,-	
DCN102	3708-001819	CONNECTOR-FPC/FFC/PIC:13P:1MM,SMD-A,SN		PE115	2404-001131	C-TA,CHIP:22UF,10%,10V,GP,TP,3528	
DD1	0407-000116	DIODE-ARRAY:DAP202K,80V,100mA,CK2-3,SOT-		PE117	2404-000304	C-TA,CHIP:22uF,20%,6.3V,-,TP,3528,-	
DQ1	0501-000341	TR-SMALL SIGNAL-KSC1623-L,NPN,200mW,SOT-		PE118	2404-000304	C-TA,CHIP:22uF,20%,6.3V,-,TP,3528,-	
DQ2	0501-000341	TR-SMALL SIGNAL-KSC1623-L,NPN,200mW,SOT-		PE119	2404-001131	C-TA,CHIP:22UF,10%,10V,GP,TP,3528	
DQ3	0501-000341	TR-SMALL SIGNAL-KSC1623-L,NPN,200mW,SOT-		PE120	2404-000304	C-TA,CHIP:22uF,20%,6.3V,-,TP,3528,-	
DR1	2007-000090	R-CHIP:10Kohm,5%,1/10W,TP,1608		PE121	2404-001131	C-TA,CHIP:22UF,10%,10V,GP,TP,3528	
DR2	2007-000090	R-CHIP:10Kohm,5%,1/10W,TP,1608		PL110	2703-000398	INDUCTOR-SMD:10uH,10%,3225	
DR3	2007-000075	R-CHIP:220ohm,5%,1/10W,TP,1608		PL111	2703-000398	INDUCTOR-SMD:10uH,10%,3225	
DR4	2007-000078	R-CHIP:1Kohm,5%,1/10W,TP,1608		PL116	2703-000398	INDUCTOR-SMD:10uH,10%,3225	
DR5	2007-000090	R-CHIP:10Kohm,5%,1/10W,TP,1608		PL119	2703-000398	INDUCTOR-SMD:10uH,10%,3225	
DR6	2007-000075	R-CHIP:220ohm,5%,1/10W,TP,1608		PL120	2703-000398	INDUCTOR-SMD:10uH,10%,3225	
DR7	2007-000116	R-CHIP:120ohm,5%,1/10W,TP,1608		PL121	2703-000398	INDUCTOR-SMD:10uH,10%,3225	
DR8	2007-000116	R-CHIP:120ohm,5%,1/10W,TP,1608		PL122	2703-000398	INDUCTOR-SMD:10uH,10%,3225	
EC102	2203-001724	C-CER,CHIP:4700NF,+80-20%,16V,Y5V,TP,321		PQ113	0502-001178	TR-POWER:CPH6702,PNP:1300mW,CPH6,TP,200	
FC1	2203-005148	C-CER,CHIP:100nf,10%,16V,X7R,TP,1608,-		PQ118	0502-001178	TR-POWER:CPH6702,PNP:1300mW,CPH6,TP,200	
FC10	2203-005148	C-CER,CHIP:100nf,10%,16V,X7R,TP,1608,-		PQ154	0504-001025	TR-DIGITAL:DTC143EE,NPN,150MW,4.7K,EMT3,	
FC12	2203-005148	C-CER,CHIP:100nf,10%,16V,X7R,TP,1608,-		PR142	2007-000052	R-CHIP:10Kohm,1%,1/10W,TP,1608	
FC13	2203-005148	C-CER,CHIP:100nf,10%,16V,X7R,TP,1608,-		PR165	2007-000640	R-CHIP:270ohm,1%,1/10W,TP,1608	
FC15	2203-005148	C-CER,CHIP:100nf,10%,16V,X7R,TP,1608,-		PR173	2007-000821	R-CHIP:390ohm,1%,1/10W,TP,1608	
FC2	2203-005148	C-CER,CHIP:100nf,10%,16V,X7R,TP,1608,-		RC1	2203-000189	C-CER,CHIP:100nf,+80-20%,25V,Y5V,TP,1608	
FC3	2203-005148	C-CER,CHIP:100nf,10%,16V,X7R,TP,1608,-		RC10	2203-000189	C-CER,CHIP:100nf,+80-20%,25V,Y5V,TP,1608	
FC4	2203-005148	C-CER,CHIP:100nf,10%,16V,X7R,TP,1608,-		RC101	2203-000236	C-CER,CHIP:0.1NF,5%,50V,COG,TP,1608	
FC5	2203-001222	C-CER,CHIP:820nf,10%,50V,X7R,TP,1608,-		RC11	2203-005148	C-CER,CHIP:100nf,10%,16V,X7R,TP,1608,-	
FC6	2203-005148	C-CER,CHIP:100nf,10%,16V,X7R,TP,1608,-		RC12	2203-005148	C-CER,CHIP:100nf,10%,16V,X7R,TP,1608,-	
FC7	2203-000140	C-CER,CHIP:1.5nf,10%,50V,X7R,TP,1608,-		RC13	2203-000975	C-CER,CHIP:47nf,10%,25V,X7R,TP,1608,-	
FE1	2404-001043	C-TA,CHIP:47uf,20%,10V,GP,TP,6032,-		RC14	2203-005148	C-CER,CHIP:100nf,10%,16V,X7R,TP,1608,-	
FE2	2404-001043	C-TA,CHIP:47uf,20%,10V,GP,TP,6032,-		RC15	2203-000975	C-CER,CHIP:47nf,10%,25V,X7R,TP,1608,-	
FE3	2404-001043	C-TA,CHIP:47uf,20%,10V,GP,TP,6032,-		RC16	2203-000257	C-CER,CHIP:10nf,10%,50V,X7R,TP,1608	
FE4	2404-001043	C-TA,CHIP:47uf,20%,10V,GP,TP,6032,-		RC17	2203-006035	C-CER,CHIP:220NF,+10%,10V,X7R,TP,1608	
FE5	2404-001043	C-TA,CHIP:47uf,20%,10V,GP,TP,6032,-		RC18	2203-000236	C-CER,CHIP:0.1NF,5%,50V,COG,TP,1608	

Loc.No	Part No	Description ; Specification	Remark	Loc.No	Part No	Description ; Specification	Remark
RC19	2203-006035	C-CER,CHIP:220NF,+10%,10V,X7R,TP,1608		SC1	2203-005148	C-CER,CHIP:100nf,10%,16V,X7R,TP,1608,-	
RC2	2203-000140	C-CER,CHIP:1.5nf,10%,50V,X7R,TP,1608,-		SC101	2203-005148	C-CER,CHIP:100nf,10%,16V,X7R,TP,1608,-	
RC20	2203-000189	C-CER,CHIP:100nf,+80-20%,25V,Y5V,TP,1608		SC102	2203-005148	C-CER,CHIP:100nf,10%,16V,X7R,TP,1608,-	
RC21	2203-005148	C-CER,CHIP:100nf,10%,16V,X7R,TP,1608,-		SC103	2203-000552	C-CER,CHIP:0.02NF,5%,50V,COG,TP,1608	
RC22	2203-005148	C-CER,CHIP:100nf,10%,16V,X7R,TP,1608,-		SC104	2203-000552	C-CER,CHIP:0.02NF,5%,50V,COG,TP,1608	
RC23	2203-005148	C-CER,CHIP:100nf,10%,16V,X7R,TP,1608,-		SC106	2203-000257	C-CER,CHIP:10nf,10%,50V,X7R,TP,1608	
RC24	2203-005148	C-CER,CHIP:100nf,10%,16V,X7R,TP,1608,-		SC107	2203-005065	C-CER,CHIP:1000nf,+80-20%,10V,Y5V,TP,160	
RC25	2203-006035	C-CER,CHIP:220NF,+10%,10V,X7R,TP,1608		SC108	2203-005065	C-CER,CHIP:1000nf,+80-20%,10V,Y5V,TP,160	
RC27	2203-005148	C-CER,CHIP:100nf,10%,16V,X7R,TP,1608,-		SC109	2203-005065	C-CER,CHIP:1000nf,+80-20%,10V,Y5V,TP,160	
RC28	2203-005148	C-CER,CHIP:100nf,10%,16V,X7R,TP,1608,-		SC11	2203-006035	C-CER,CHIP:220NF,+10%,10V,X7R,TP,1608	
RC29	2203-000236	C-CER,CHIP:0.1NF,5%,50V,COG,TP,1608		SC110	2203-005065	C-CER,CHIP:1000nf,+80-20%,10V,Y5V,TP,160	
RC3	2203-000140	C-CER,CHIP:1.5nf,10%,50V,X7R,TP,1608,-		SC111	2203-005065	C-CER,CHIP:1000nf,+80-20%,10V,Y5V,TP,160	
RC31	2203-005148	C-CER,CHIP:100nf,10%,16V,X7R,TP,1608,-		SC112	2203-005065	C-CER,CHIP:1000nf,+80-20%,10V,Y5V,TP,160	
RC32	2203-006035	C-CER,CHIP:220NF,+10%,10V,X7R,TP,1608		SC113	2203-005065	C-CER,CHIP:1000nf,+80-20%,10V,Y5V,TP,160	
RC33	2203-000715	C-CER,CHIP:3.3nf,10%,50V,X7R,TP,1608,-		SC114	2203-005065	C-CER,CHIP:1000nf,+80-20%,10V,Y5V,TP,160	
RC34	2203-000140	C-CER,CHIP:1.5nf,10%,50V,X7R,TP,1608,-		SC115	2203-005148	C-CER,CHIP:100nf,10%,16V,X7R,TP,1608,-	
RC35	2203-000236	C-CER,CHIP:0.1NF,5%,50V,COG,TP,1608		SC116	2203-005065	C-CER,CHIP:1000nf,+80-20%,10V,Y5V,TP,160	
RC4	2203-000140	C-CER,CHIP:1.5nf,10%,50V,X7R,TP,1608,-		SC117	2203-005065	C-CER,CHIP:1000nf,+80-20%,10V,Y5V,TP,160	
RC5	2203-000140	C-CER,CHIP:1.5nf,10%,50V,X7R,TP,1608,-		SC118	2203-005148	C-CER,CHIP:100nf,10%,16V,X7R,TP,1608,-	
RC6	2203-005148	C-CER,CHIP:100nf,10%,16V,X7R,TP,1608,-		SC119	2203-005065	C-CER,CHIP:1000nf,+80-20%,10V,Y5V,TP,160	
RC7	2203-005148	C-CER,CHIP:100nf,10%,16V,X7R,TP,1608,-		SC13	2203-001634	C-CER,CHIP:33nf,10%,50V,X7R,TP,1608,1.6m	
RC8	2203-005148	C-CER,CHIP:100nf,10%,16V,X7R,TP,1608,-		SC14	2203-000491	C-CER,CHIP:2.2nf,10%,50V,X7R,TP,1608,-	
RC9	2203-005148	C-CER,CHIP:100nf,10%,16V,X7R,TP,1608,-		SC15	2203-005148	C-CER,CHIP:100nf,10%,16V,X7R,TP,1608,-	
RE1	2404-000304	C-TA,CHIP:22uf,20%,6.3V,-,TP,3528,-		SC16	2203-000257	C-CER,CHIP:10nf,10%,50V,X7R,TP,1608	
RE10	2404-000259	C-TA,CHIP:47uf,20%,6.3V,-,TP,6032,-		SC17	2203-000257	C-CER,CHIP:10nf,10%,50V,X7R,TP,1608	
RE2	2404-001001	C-TA,CHIP:10uf,10%,6.3V,GP,TP,3216,3.2mm		SC18	2203-000257	C-CER,CHIP:10nf,10%,50V,X7R,TP,1608	
RE3	2404-001001	C-TA,CHIP:10uf,10%,6.3V,GP,TP,3216,3.2mm		SC2	2203-001652	C-CER,CHIP:470nf,+80-20%,16V,Y5V,TP,1608	
RE4	2404-001043	C-TA,CHIP:47uf,20%,10V,GP,TP,6032,-		SC23	2203-005148	C-CER,CHIP:100nf,10%,16V,X7R,TP,1608,-	
RE5	2404-001043	C-TA,CHIP:47uf,20%,10V,GP,TP,6032,-		SC24	2203-000332	C-CER,CHIP:0.012NF,5%,50V,COG,TP,1608	
RE6	2404-001001	C-TA,CHIP:10uf,10%,6.3V,GP,TP,3216,3.2mm		SC25	2203-000332	C-CER,CHIP:0.012NF,5%,50V,COG,TP,1608	
RE7	2404-001001	C-TA,CHIP:10uf,10%,6.3V,GP,TP,3216,3.2mm		SC26	2203-005148	C-CER,CHIP:100nf,10%,16V,X7R,TP,1608,-	
RE8	2404-001131	C-TA,CHIP:22uf,10%,10V,GP,TP,3528		SC27	2203-000257	C-CER,CHIP:10nf,10%,50V,X7R,TP,1608	
RE9	2404-001001	C-TA,CHIP:10uf,10%,6.3V,GP,TP,3216,3.2mm		SC28	2203-000815	C-CER,CHIP:0.033NF,5%,50V,COG,TP,1608	
RIC1	AH13-00009C	IC ASIC:S5L1463A01-Q1,DVD-L200,80,+5,-		SC29	2203-000815	C-CER,CHIP:0.033NF,5%,50V,COG,TP,1608	
RL11	2703-000398	INDUCTOR-SMD:10uH,10%,3225		SC3	2203-002398	C-CER,CHIP:22nf,10%,50V,X7R,TP,1608	
RM101	AK32-00001A	MODULE REMOCON:TSP6238TR,38KHZ,950NM,-,		SC31	2203-000626	C-CER,CHIP:0.022NF,5%,50V,COG,TP,1608	
RQ1	0501-000279	TR-SMALL SIGNAL:KSA1182-Y,PNP,150mW,SOT-		SC32	2203-000815	C-CER,CHIP:0.033NF,5%,50V,COG,TP,1608	
RQ2	0501-000279	TR-SMALL SIGNAL:KSA1182-Y,PNP,150mW,SOT-		SC33	2203-000257	C-CER,CHIP:10nf,10%,50V,X7R,TP,1608	
RR10	2007-000102	R-CHIP:100Kohm,5%,1/10W,TP,1608		SC34	2203-000626	C-CER,CHIP:0.022NF,5%,50V,COG,TP,1608	
RR101	2007-000078	R-CHIP:1Kohm,5%,1/10W,TP,1608		SC35	2203-000257	C-CER,CHIP:10nf,10%,50V,X7R,TP,1608	
RR11	2007-000078	R-CHIP:1Kohm,5%,1/10W,TP,1608		SC36	2203-000257	C-CER,CHIP:10nf,10%,50V,X7R,TP,1608	
RR12	2007-000312	R-CHIP:10ohm,5%,1/4W,TP,3216		SC38	2203-005148	C-CER,CHIP:100nf,10%,16V,X7R,TP,1608,-	
RR15	2007-000102	R-CHIP:100Kohm,5%,1/10W,TP,1608		SC4	2203-001652	C-CER,CHIP:470nf,+80-20%,16V,Y5V,TP,1608	
RR16	2007-000102	R-CHIP:100Kohm,5%,1/10W,TP,1608		SC41	2203-005148	C-CER,CHIP:100nf,10%,16V,X7R,TP,1608,-	
RR17	2007-000090	R-CHIP:10Kohm,5%,1/10W,TP,1608		SC42	2203-000140	C-CER,CHIP:1.5nf,10%,50V,X7R,TP,1608,-	
RR18	2007-000078	R-CHIP:1Kohm,5%,1/10W,TP,1608		SC43	2203-001634	C-CER,CHIP:33nf,10%,50V,X7R,TP,1608,1.6m	
RR19	2007-000091	R-CHIP:12Kohm,5%,1/10W,TP,1608		SC44	2203-000715	C-CER,CHIP:3.3nf,10%,50V,X7R,TP,1608,-	
RR2	2007-000458	R-CHIP:18Kohm,5%,1/10W,TP,1608		SC45	2203-001126	C-CER,CHIP:0.68nf,10%,50V,X7R,TP,1608	
RR20	2007-001179	R-CHIP:8.2Kohm,5%,1/10W,TP,1608		SC46	2203-000975	C-CER,CHIP:47nf,10%,25V,X7R,TP,1608,-	
RR21	2007-000091	R-CHIP:12Kohm,5%,1/10W,TP,1608		SC47	2203-000140	C-CER,CHIP:1.5nf,10%,50V,X7R,TP,1608,-	
RR22	2007-000655	R-CHIP:27Kohm,5%,1/10W,TP,1608		SC5	2203-002398	C-CER,CHIP:22nf,10%,50V,X7R,TP,1608	
RR23	2007-001235	R-CHIP:910Kohm,5%,1/10W,TP,1608		SC50	2203-000440	C-CER,CHIP:1nf,10%,50V,X7R,TP,1608,-	
RR24	2007-000134	R-CHIP:33Kohm,5%,1/10W,TP,1608		SC51	2203-005148	C-CER,CHIP:100nf,10%,16V,X7R,TP,1608,-	
RR25	2007-000070	R-CHIP:0ohm,5%,1/10W,TP,1608		SC52	2203-006035	C-CER,CHIP:220NF,+10%,10V,X7R,TP,1608	
RR26	2007-000102	R-CHIP:100Kohm,5%,1/10W,TP,1608		SC53	2203-000552	C-CER,CHIP:0.02NF,5%,50V,COG,TP,1608	
RR27	2007-000070	R-CHIP:0ohm,5%,1/10W,TP,1608		SC54	2203-000552	C-CER,CHIP:0.02NF,5%,50V,COG,TP,1608	
RR28	2007-000102	R-CHIP:100Kohm,5%,1/10W,TP,1608		SC55	2007-000070	R-CHIP:0ohm,5%,1/10W,TP,1608	
RR29	2007-000381	R-CHIP:13Kohm,5%,1/10W,TP,1608		SC56	2203-005148	C-CER,CHIP:100nf,10%,16V,X7R,TP,1608,-	
RR3	2007-000091	R-CHIP:12Kohm,5%,1/10W,TP,1608		SC6	2203-005148	C-CER,CHIP:100nf,10%,16V,X7R,TP,1608,-	
RR30	2007-000070	R-CHIP:0ohm,5%,1/10W,TP,1608		SC7	2203-000257	C-CER,CHIP:10nf,10%,50V,X7R,TP,1608	
RR31	2007-000070	R-CHIP:0ohm,5%,1/10W,TP,1608		SC8	2203-000491	C-CER,CHIP:2.2nf,10%,50V,X7R,TP,1608,-	
RR4	2007-000091	R-CHIP:12Kohm,5%,1/10W,TP,1608		SC9	2203-000491	C-CER,CHIP:2.2nf,10%,50V,X7R,TP,1608,-	
RR5	2007-000091	R-CHIP:12Kohm,5%,1/10W,TP,1608		SD1	0407-000101	DIODE-ARRAY:DA204K,20V,100mA,C2-3,SOT-23	
RR7	2007-000086	R-CHIP:5.6Kohm,5%,1/10W,TP,1608		SE1	2404-001001	C-TA,CHIP:10uf,10%,6.3V,GP,TP,3216,3.2mm	
RR8	2007-000077	R-CHIP:470ohm,5%,1/10W,TP,1608		SE101	2404-000259	C-TA,CHIP:47uf,20%,6.3V,-,TP,6032,-	
RR9	2007-000312	R-CHIP:10ohm,5%,1/4W,TP,3216		SE102	2404-000259	C-TA,CHIP:47uf,20%,6.3V,-,TP,6032,-	

Loc.No	Part No	Description ; Specification	Remark	Loc.No	Part No	Description ; Specification	Remark
SIC01	1204-001700	IC-PAL/NTSC DECODER;SAA7114,OFF;100P,550		SR41	2007-000070	R-CHIP;0ohm,5%,1/10W,TP;1608	
SIC1	AH13-00006B	IC ASIC;SSL1455X01,DVD-P293,160,+3.3V,		SR42	2007-000078	R-CHIP;1Kohm,5%,1/10W,TP;1608	
SIC2	1105-001355	IC-DRAM;416256,256KX16BIT,TSOP(II),40P		SR43	2007-000070	R-CHIP;0ohm,5%,1/10W,TP;1608	
SIC3	1003-001489	IC-MOTOR DRIVER;FAN8728,HQFP48P;14X14MM		SR44	2007-000084	R-CHIP;4.7Kohm,5%,1/10W,TP;1608	
SIC4	AH14-10004R	IC:M74HC04,SOP,TAPE 14P		SR45	2007-000102	R-CHIP;100Kohm,5%,1/10W,TP;1608	
SL1	3301-000314	BEAD-SMD;AB,120ohm,1.6x0.8x0.8mm,150mA,		SR48	2007-000070	R-CHIP;0ohm,5%,1/10W,TP;1608	
SL101	2703-000398	INDUCTOR-SMD;10uH,10%,3225		SR49	2007-000305	R-CHIP;10Mohm,5%,1/10W,TP;1608	
SL102	2703-000398	INDUCTOR-SMD;10uH,10%,3225		SR5	2007-000091	R-CHIP;12Kohm,5%,1/10W,TP;1608	
SL2	3301-000314	BEAD-SMD;AB,120ohm,1.6x0.8x0.8mm,150mA,		SR50	2007-000305	R-CHIP;10Mohm,5%,1/10W,TP;1608	
SL4	3301-000353	BEAD-SMD;120ohm,2x1.25x0.9mm,200mA,TP,-		SR52	2007-000070	R-CHIP;0ohm,5%,1/10W,TP;1608	
SL5	3301-001579	BEAD-SMD;-120,-180,TP,-0.3		SR54	2007-000070	R-CHIP;0ohm,5%,1/10W,TP;1608	
SPC1	2203-000257	C-CER;CHIP;10nF,10%,50V,X7R,TP;1608		SR6	2007-000070	R-CHIP;0ohm,5%,1/10W,TP;1608	
SPC2	2203-000257	C-CER;CHIP;10nF,10%,50V,X7R,TP;1608		SR7	2007-000070	R-CHIP;0ohm,5%,1/10W,TP;1608	
SPC3	2203-000257	C-CER;CHIP;10nF,10%,50V,X7R,TP;1608		SR8	2007-000091	R-CHIP;12Kohm,5%,1/10W,TP;1608	
SPC4	2203-000257	C-CER;CHIP;10nF,10%,50V,X7R,TP;1608		SR9	2007-000124	R-CHIP;2.2Kohm,5%,1/10W,TP;1608	
SPC5	2203-000257	C-CER;CHIP;10nF,10%,50V,X7R,TP;1608		SX101	2801-004228	CRYSTAL-SMD;24.576MHZ,20PPM,28-ABV,18PF,	
SPC6	2203-005148	C-CER;CHIP;100nF,10%,16V,X7R,TP;1608,-		SY1	2801-004303	CRYSTAL-SMD;33.8688MHz,50ppm,5X-7,12PF,2	
SPC7	2203-005148	C-CER;CHIP;100nF,10%,16V,X7R,TP;1608,-		SY2	2801-004282	CRYSTAL-SMD;27MHz,10ppm,28-ABV,20pF,20oh	
SPE1	2404-000275	C-TA;CHIP;100UF,10%,10V,GP,TP;7343		VB110	3301-001419	BEAD-SMD;-220,-500,TP,-0.3	
SPE2	2404-001043	C-TA;CHIP;47uf,20%,10V,GP,TP;6032,-		VB111	3301-001419	BEAD-SMD;-220,-500,TP,-0.3	
SPE3	2404-000275	C-TA;CHIP;100UF,10%,10V,GP,TP;7343		VB112	3301-001419	BEAD-SMD;-220,-500,TP,-0.3	
SPE4	2404-001043	C-TA;CHIP;47uf,20%,10V,GP,TP;6032,-		VC110	2203-000746	C-CER;CHIP;0.03nF,5%,50V,COG,TP;1608	
SPE5	2404-001043	C-TA;CHIP;47uf,20%,10V,GP,TP;6032,-		VC111	2203-000746	C-CER;CHIP;0.03nF,5%,50V,COG,TP;1608	
SPE6	2404-001043	C-TA;CHIP;47uf,20%,10V,GP,TP;6032,-		VC112	2203-000746	C-CER;CHIP;0.03nF,5%,50V,COG,TP;1608	
SPIC1	1203-002178	IC-VOLTAGE REGULATOR;1563,SOP;7P;173MIL,		VR116	2007-000113	R-CHIP;33ohm,5%,1/10W,TP;1608	
SR1	2007-001235	R-CHIP;910Kohm,5%,1/10W,TP;1608		VR117	2007-000113	R-CHIP;33ohm,5%,1/10W,TP;1608	
SR10	2007-000109	R-CHIP;1Mohm,5%,1/10W,TP;1608		VR118	2007-000113	R-CHIP;33ohm,5%,1/10W,TP;1608	
SR11	2007-000124	R-CHIP;2.2Kohm,5%,1/10W,TP;1608		XC101	2203-005148	C-CER;CHIP;100nF,10%,16V,X7R,TP;1608,-	
SR110	2007-000113	R-CHIP;33ohm,5%,1/10W,TP;1608		XC102	2203-001724	C-CER;CHIP;4700NF,+80-20%,16V,Y5V,TP;321	
SR111	2007-000113	R-CHIP;33ohm,5%,1/10W,TP;1608		XC103	2203-005148	C-CER;CHIP;100nF,10%,16V,X7R,TP;1608,-	
SR112	2007-000113	R-CHIP;33ohm,5%,1/10W,TP;1608		XC104	2203-001724	C-CER;CHIP;4700NF,+80-20%,16V,Y5V,TP;321	
SR113	2007-000113	R-CHIP;33ohm,5%,1/10W,TP;1608		XC105	2203-005065	C-CER;CHIP;1000nF,+80-20%,10V,Y5V,TP;160	
SR114	2007-000113	R-CHIP;33ohm,5%,1/10W,TP;1608		XC106	2203-005065	C-CER;CHIP;1000nF,+80-20%,10V,Y5V,TP;160	
SR115	2007-000113	R-CHIP;33ohm,5%,1/10W,TP;1608		XC107	2203-005148	C-CER;CHIP;100nF,10%,16V,X7R,TP;1608,-	
SR116	2007-000113	R-CHIP;33ohm,5%,1/10W,TP;1608		XC108	2203-001724	C-CER;CHIP;4700NF,+80-20%,16V,Y5V,TP;321	
SR117	2007-000113	R-CHIP;33ohm,5%,1/10W,TP;1608		XC109	2203-005148	C-CER;CHIP;100nF,10%,16V,X7R,TP;1608,-	
SR13	2007-000092	R-CHIP;15Kohm,5%,1/10W,TP;1608		XC110	2203-001724	C-CER;CHIP;4700NF,+80-20%,16V,Y5V,TP;321	
SR130	2007-000090	R-CHIP;10Kohm,5%,1/10W,TP;1608		XC111	2203-001724	C-CER;CHIP;4700NF,+80-20%,16V,Y5V,TP;321	
SR133	2007-000779	R-CHIP;33ohm,1%,1/10W,TP;1608		XC112	2203-005148	C-CER;CHIP;100nF,10%,16V,X7R,TP;1608,-	
SR134	2007-000779	R-CHIP;33ohm,1%,1/10W,TP;1608		XC113	2203-005148	C-CER;CHIP;100nF,10%,16V,X7R,TP;1608,-	
SR135	2007-000090	R-CHIP;10Kohm,5%,1/10W,TP;1608		XC114	2203-005148	C-CER;CHIP;1000nF,+80-20%,16V,X7R,TP;1608,-	
SR14	2007-000092	R-CHIP;15Kohm,5%,1/10W,TP;1608		XC115	2203-001724	C-CER;CHIP;4700NF,+80-20%,16V,Y5V,TP;321	
SR15	2007-000091	R-CHIP;12Kohm,5%,1/10W,TP;1608		XC116	2203-001724	C-CER;CHIP;4700NF,+80-20%,16V,Y5V,TP;321	
SR16	2007-000655	R-CHIP;27Kohm,5%,1/10W,TP;1608		XC117	2203-005148	C-CER;CHIP;100nF,10%,16V,X7R,TP;1608,-	
SR17	2007-000092	R-CHIP;15Kohm,5%,1/10W,TP;1608		XC118	2203-005148	C-CER;CHIP;100nF,10%,16V,X7R,TP;1608,-	
SR18	2007-000078	R-CHIP;1Kohm,5%,1/10W,TP;1608		XC119	2203-001724	C-CER;CHIP;4700NF,+80-20%,16V,Y5V,TP;321	
SR19	2007-000090	R-CHIP;10Kohm,5%,1/10W,TP;1608		XC120	2203-005065	C-CER;CHIP;1000nF,+80-20%,10V,Y5V,TP;160	
SR2	2007-000090	R-CHIP;10Kohm,5%,1/10W,TP;1608		XC121	2203-005148	C-CER;CHIP;100nF,10%,16V,X7R,TP;1608,-	
SR20	2007-000070	R-CHIP;0ohm,5%,1/10W,TP;1608		XC122	2203-001724	C-CER;CHIP;4700NF,+80-20%,16V,Y5V,TP;321	
SR21	2007-000093	R-CHIP;20Kohm,5%,1/10W,TP;1608		XC123	2203-005065	C-CER;CHIP;1000nF,+80-20%,10V,Y5V,TP;160	
SR22	2007-000078	R-CHIP;1Kohm,5%,1/10W,TP;1608		XC124	2203-000236	C-CER;CHIP;0.1nF,5%,50V,COG,TP;1608	
SR23	2007-000078	R-CHIP;1Kohm,5%,1/10W,TP;1608		XC125	2203-001071	C-CER;CHIP;0.056nF,5%,50V,COG,TP;1608	
SR24	2007-000078	R-CHIP;1Kohm,5%,1/10W,TP;1608		XC126	2203-005065	C-CER;CHIP;1000nF,+80-20%,10V,Y5V,TP;160	
SR26	2007-000109	R-CHIP;1Mohm,5%,1/10W,TP;1608		XC127	2203-005065	C-CER;CHIP;1000nF,+80-20%,10V,Y5V,TP;160	
SR27	2007-000075	R-CHIP;220ohm,5%,1/10W,TP;1608		XC128	2203-000998	C-CER;CHIP;0.047nF,5%,50V,COG,TP;1608	
SR28	2007-000074	R-CHIP;100ohm,5%,1/10W,TP;1608		XC501	2203-002398	C-CER;CHIP;22nF,10%,50V,X7R,TP;1608	
SR29	2007-000074	R-CHIP;100ohm,5%,1/10W,TP;1608		XC502	2203-002398	C-CER;CHIP;22nF,10%,50V,X7R,TP;1608	
SR3	2007-000092	R-CHIP;15Kohm,5%,1/10W,TP;1608		XC503	2203-000236	C-CER;CHIP;0.1nF,5%,50V,COG,TP;1608	
SR31	2007-000078	R-CHIP;1Kohm,5%,1/10W,TP;1608		XC504	2203-005148	C-CER;CHIP;100nF,10%,16V,X7R,TP;1608,-	
SR32	2007-000084	R-CHIP;4.7Kohm,5%,1/10W,TP;1608		XC505	2203-001724	C-CER;CHIP;4700NF,+80-20%,16V,Y5V,TP;321	
SR34	2007-000074	R-CHIP;100ohm,5%,1/10W,TP;1608		XC506	2203-005148	C-CER;CHIP;100nF,10%,16V,X7R,TP;1608,-	
SR35	2007-000070	R-CHIP;0ohm,5%,1/10W,TP;1608		XCON1	3708-001866	CONNECTOR-FPC/FFC/PIC;50P;0.5MM,SMD-S,SN	
SR36	2007-000074	R-CHIP;100ohm,5%,1/10W,TP;1608		XCON2	3708-001731	CONNECTOR-FPC/FFC/PIC;50P;0.5MM,SMD-S,SN	
SR39	2007-000116	R-CHIP;120ohm,5%,1/10W,TP;1608		XCON2B	3809-001387	CABLE-FLAT;30V,80C,70MM,50P;0.5MM,UL758	
SR4	2007-000070	R-CHIP;0ohm,5%,1/10W,TP;1608		XDS01	0404-001173	DIODE-SCHOTTKY;RB081L-2Q;20V,4000MA,SOD-	
SR40	2007-000109	R-CHIP;1Mohm,5%,1/10W,TP;1608		XE501	2404-000259	C-TA;CHIP;47uf,20%,6.3V,-TP;6032,-	

Loc.No	Part No	Description ; Specification	Remark	Loc.No	Part No	Description ; Specification	Remark
XIC01	1205-002159	IC-LCD CONTROLLER:JAG-D,LOFP;144P;20X20MM		ZC10	2203-005148	C-CER,CHIP:100nF,10%,16V,X7R,TP,1608,-	
XIC02	0801-002626	IC-CMOS LOGIC:74LVX573,LATCH,TSSOP;20P;1		ZC101	2203-005148	C-CER,CHIP:100nF,10%,16V,X7R,TP,1608,-	
XIC03	0801-002626	IC-CMOS LOGIC:74LVX573,LATCH,TSSOP;20P;1		ZC102	2203-005148	C-CER,CHIP:100nF,10%,16V,X7R,TP,1608,-	
XIC04	1001-001155	IC-ANALOG MULTIPLEX:NC7SB3157P6X,CMOS,SC		ZC103	2203-005148	C-CER,CHIP:100nF,10%,16V,X7R,TP,1608,-	
XIC05	1203-002595	IC-PWM CONTROLLER:MP1580HY,SOIC,8P,;PLA		ZC104	2203-005148	C-CER,CHIP:100nF,10%,16V,X7R,TP,1608,-	
XIC06	0801-002327	IC-CMOS LOGIC:74LCX74,D FLIP-FLOP,TSSOP,		ZC105	2203-005148	C-CER,CHIP:100nF,10%,16V,X7R,TP,1608,-	
XL101	2703-000398	INDUCTOR-SMD:10uH,10%,3225		ZC106	2203-005148	C-CER,CHIP:100nF,10%,16V,X7R,TP,1608,-	
XL102	2703-000398	INDUCTOR-SMD:10uH,10%,3225		ZC107	2203-005148	C-CER,CHIP:100nF,10%,16V,X7R,TP,1608,-	
XL103	2703-000398	INDUCTOR-SMD:10uH,10%,3225		ZC109	2203-005148	C-CER,CHIP:100nF,10%,16V,X7R,TP,1608,-	
XL104	2703-000398	INDUCTOR-SMD:10uH,10%,3225		ZC11	2203-005148	C-CER,CHIP:100nF,10%,16V,X7R,TP,1608,-	
XL105	2703-000398	INDUCTOR-SMD:10uH,10%,3225		ZC113	2203-000426	C-CER,CHIP:0.018NF,5%,50V,COG,TP,1608	
XL106	2703-000398	INDUCTOR-SMD:10uH,10%,3225		ZC12	2203-005148	C-CER,CHIP:100nF,10%,16V,X7R,TP,1608,-	
XL107	2703-000398	INDUCTOR-SMD:10uH,10%,3225		ZC13	2203-005148	C-CER,CHIP:100nF,10%,16V,X7R,TP,1608,-	
XL501	2703-000398	INDUCTOR-SMD:10uH,10%,3225		ZC14	2203-005148	C-CER,CHIP:100nF,10%,16V,X7R,TP,1608,-	
XLED1	0601-000005	LED:CHIP,GRN,1.6X2.3MM,563NM		ZC15	2203-005148	C-CER,CHIP:100nF,10%,16V,X7R,TP,1608,-	
XQ101	0504-000113	TR-DIGITAL:DTC144EUA,NPN,200MW,47K/47K,S		ZC16	2203-005148	C-CER,CHIP:100nF,10%,16V,X7R,TP,1608,-	
XQ102	0502-001178	TR-POWER:CPH6702,PNP,1300mW,CPH6,TP,200		ZC17	2203-005148	C-CER,CHIP:100nF,10%,16V,X7R,TP,1608,-	
XR101	2007-000090	R-CHIP:10Kohm,5%,1/10W,TP,1608		ZC18	2203-005148	C-CER,CHIP:100nF,10%,16V,X7R,TP,1608,-	
XR102	2007-000090	R-CHIP:10Kohm,5%,1/10W,TP,1608		ZC19	2203-005148	C-CER,CHIP:100nF,10%,16V,X7R,TP,1608,-	
XR103	2007-000090	R-CHIP:10Kohm,5%,1/10W,TP,1608		ZC2	2203-005148	C-CER,CHIP:100nF,10%,16V,X7R,TP,1608,-	
XR104	2007-000090	R-CHIP:10Kohm,5%,1/10W,TP,1608		ZC20	2203-005148	C-CER,CHIP:100nF,10%,16V,X7R,TP,1608,-	
XR105	2007-000090	R-CHIP:10Kohm,5%,1/10W,TP,1608		ZC21	2203-005148	C-CER,CHIP:100nF,10%,16V,X7R,TP,1608,-	
XR106	2007-000090	R-CHIP:10Kohm,5%,1/10W,TP,1608		ZC22	2203-005148	C-CER,CHIP:100nF,10%,16V,X7R,TP,1608,-	
XR107	2007-000052	R-CHIP:10Kohm,1%,1/10W,TP,1608		ZC23	2203-005148	C-CER,CHIP:100nF,10%,16V,X7R,TP,1608,-	
XR108	2007-000093	R-CHIP:20Kohm,5%,1/10W,TP,1608		ZC24	2203-005148	C-CER,CHIP:100nF,10%,16V,X7R,TP,1608,-	
XR109	2007-001164	R-CHIP:75ohm,1%,1/10W,TP,1608		ZC25	2203-005148	C-CER,CHIP:100nF,10%,16V,X7R,TP,1608,-	
XR110	2007-000090	R-CHIP:10Kohm,5%,1/10W,TP,1608		ZC27	2203-000257	C-CER,CHIP:10nF,10%,50V,X7R,TP,1608	
XR111	2007-000090	R-CHIP:10Kohm,5%,1/10W,TP,1608		ZC28	2203-005148	C-CER,CHIP:100nF,10%,16V,X7R,TP,1608,-	
XR112	2007-000090	R-CHIP:10Kohm,5%,1/10W,TP,1608		ZC3	2203-005148	C-CER,CHIP:100nF,10%,16V,X7R,TP,1608,-	
XR113	2007-000779	R-CHIP:33ohm,1%,1/10W,TP,1608		ZC36	2203-000681	C-CER,CHIP:0.027NF,5%,50V,COG,TP,1608	
XR114	2007-000779	R-CHIP:33ohm,1%,1/10W,TP,1608		ZC37	2203-005148	C-CER,CHIP:100nF,10%,16V,X7R,TP,1608,-	
XR115	2007-000779	R-CHIP:33ohm,1%,1/10W,TP,1608		ZC38	2203-005148	C-CER,CHIP:100nF,10%,16V,X7R,TP,1608,-	
XR116	2007-000779	R-CHIP:33ohm,1%,1/10W,TP,1608		ZC4	2203-005148	C-CER,CHIP:100nF,10%,16V,X7R,TP,1608,-	
XR117	2007-000779	R-CHIP:33ohm,1%,1/10W,TP,1608		ZC40	2203-005148	C-CER,CHIP:100nF,10%,16V,X7R,TP,1608,-	
XR118	2007-000779	R-CHIP:33ohm,1%,1/10W,TP,1608		ZC44	2203-000426	C-CER,CHIP:0.018NF,5%,50V,COG,TP,1608	
XR119	2007-000779	R-CHIP:33ohm,1%,1/10W,TP,1608		ZC5	2203-005148	C-CER,CHIP:100nF,10%,16V,X7R,TP,1608,-	
XR120	2007-000779	R-CHIP:33ohm,1%,1/10W,TP,1608		ZC6	2203-005148	C-CER,CHIP:100nF,10%,16V,X7R,TP,1608,-	
XR121	2007-000779	R-CHIP:33ohm,1%,1/10W,TP,1608		ZC7	2203-000681	C-CER,CHIP:0.027NF,5%,50V,COG,TP,1608	
XR122	2007-000779	R-CHIP:33ohm,1%,1/10W,TP,1608		ZC9	2203-005148	C-CER,CHIP:100nF,10%,16V,X7R,TP,1608,-	
XR123	2007-000779	R-CHIP:33ohm,1%,1/10W,TP,1608		ZE1	2404-000256	C-TA,CHIP:47UF,20%,16V,GP,TP,7343	
XR124	2007-000779	R-CHIP:33ohm,1%,1/10W,TP,1608		ZE2	2404-000256	C-TA,CHIP:47UF,20%,16V,GP,TP,7343	
XR125	2007-000779	R-CHIP:33ohm,1%,1/10W,TP,1608		ZE3	2404-000256	C-TA,CHIP:47UF,20%,16V,GP,TP,7343	
XR126	2007-000779	R-CHIP:33ohm,1%,1/10W,TP,1608		ZE4	2404-000256	C-TA,CHIP:47UF,20%,16V,GP,TP,7343	
XR127	2007-000779	R-CHIP:33ohm,1%,1/10W,TP,1608		ZIC1	1204-002067	IC-DECODER:ZR36748,CFP,208P28X28MM,PLAS	
XR128	2007-000779	R-CHIP:33ohm,1%,1/10W,TP,1608		ZIC2	1105-001305	IC-DRAM:4S641632,1MX16X4BIT,TSOP;54P,4	
XR129	2007-000779	R-CHIP:33ohm,1%,1/10W,TP,1608		ZIC3	1107-001369	IC-FLASH MEMORY:MBM29LV800BA-90PFTN,512K	
XR130	2007-000779	R-CHIP:33ohm,1%,1/10W,TP,1608		ZIC7	1103-001204	IC-EEPROM:24C021,256x8BIT,SOP;8P;150MIL	
XR131	2007-000779	R-CHIP:33ohm,1%,1/10W,TP,1608		ZIC8	0801-002701	IC-CMOS LOGIC:74VHC125A,BUFFER,TSSOP,14	
XR132	2007-000779	R-CHIP:33ohm,1%,1/10W,TP,1608		ZL2	2703-000398	INDUCTOR-SMD:10uH,10%,3225	
XR133	2007-000779	R-CHIP:33ohm,1%,1/10W,TP,1608		ZL3	2703-000398	INDUCTOR-SMD:10uH,10%,3225	
XR134	3301-001461	BEAD-SMD:300OHM,1.6X0.8X0.8MM,300MA,TP,		ZL5	3301-000314	BEAD-SMD:AB,120ohm,1.6x0.8x0.8mm,150mA,	
XR135	2007-000090	R-CHIP:10Kohm,5%,1/10W,TP,1608		ZR1	2007-000360	R-CHIP:12ohm,1%,1/10W,TP,1608	
XR136	2007-000640	R-CHIP:270ohm,1%,1/10W,TP,1608		ZR10	2007-000084	R-CHIP:4.7Kohm,5%,1/10W,TP,1608	
XR137	2007-000090	R-CHIP:10Kohm,5%,1/10W,TP,1608		ZR101	2007-001101	R-CHIP:62ohm,5%,1/10W,TP,1608	
XR138	3301-001419	BEAD-SMD:-,220,-,500,TP,-,0,3		ZR102	2007-000113	R-CHIP:33ohm,5%,1/10W,TP,1608	
XR139	2007-000763	R-CHIP:330ohm,1%,1/10W,TP,1608		ZR103	2007-000113	R-CHIP:33ohm,5%,1/10W,TP,1608	
XR140	2007-000102	R-CHIP:100Kohm,5%,1/10W,TP,1608		ZR104	2007-000113	R-CHIP:33ohm,5%,1/10W,TP,1608	
XR141	2007-000779	R-CHIP:33ohm,1%,1/10W,TP,1608		ZR105	2007-000113	R-CHIP:33ohm,5%,1/10W,TP,1608	
XR142	2007-001101	R-CHIP:62ohm,5%,1/10W,TP,1608		ZR106	2007-000113	R-CHIP:33ohm,5%,1/10W,TP,1608	
XR150	2007-000090	R-CHIP:10Kohm,5%,1/10W,TP,1608		ZR107	2007-000113	R-CHIP:33ohm,5%,1/10W,TP,1608	
XR501	2007-000052	R-CHIP:10Kohm,1%,1/10W,TP,1608		ZR108	2007-000113	R-CHIP:33ohm,5%,1/10W,TP,1608	
XR502	2007-000052	R-CHIP:10Kohm,1%,1/10W,TP,1608		ZR109	2007-000113	R-CHIP:33ohm,5%,1/10W,TP,1608	
XR503	2007-000052	R-CHIP:10Kohm,1%,1/10W,TP,1608		ZR11	2007-000084	R-CHIP:4.7Kohm,5%,1/10W,TP,1608	
XR504	2007-000100	R-CHIP:68Kohm,5%,1/10W,TP,1608		ZR110	2007-000113	R-CHIP:33ohm,5%,1/10W,TP,1608	
XSW1	3409-001081	SWITCH-DETECTOR:12V DC,0.1A,SPST,30gf,PU		ZR12	2011-000816	R-NET:100OHM,5%,1/16W,L,CHIP;8P,TP	
ZC1	2203-005148	C-CER,CHIP:100nF,10%,16V,X7R,TP,1608,-		ZR13	2007-000074	R-CHIP:100ohm,5%,1/10W,TP,1608	

Loc.No	Part No	Description ; Specification	Remark
ZR2	2007-000360	R-CHIP:12ohm,1%,1/10W,TP,1608	
ZR26	2007-000070	R-CHIP:0ohm,5%,1/10W,TP,1608	
ZR27	2007-000084	R-CHIP:4.7Kohm,5%,1/10W,TP,1608	
ZR28	2007-000084	R-CHIP:4.7Kohm,5%,1/10W,TP,1608	
ZR29	2007-000084	R-CHIP:4.7Kohm,5%,1/10W,TP,1608	
ZR3	2007-000118	R-CHIP:390ohm,5%,1/10W,TP,1608	
ZR30	2007-000084	R-CHIP:4.7Kohm,5%,1/10W,TP,1608	
ZR31	2007-000084	R-CHIP:4.7Kohm,5%,1/10W,TP,1608	
ZR32	2007-000084	R-CHIP:4.7Kohm,5%,1/10W,TP,1608	
ZR33	2007-000070	R-CHIP:0ohm,5%,1/10W,TP,1608	
ZR34	2007-000084	R-CHIP:4.7Kohm,5%,1/10W,TP,1608	
ZR35	2007-000078	R-CHIP:1Kohm,5%,1/10W,TP,1608	
ZR36	2007-000070	R-CHIP:0ohm,5%,1/10W,TP,1608	
ZR4	3301-001309	BEAD-SMD:47ohm,1.6x0.8x0.8mm,500mA,TP,-	
ZR40	2007-000070	R-CHIP:0ohm,5%,1/10W,TP,1608	
ZR41	2007-000078	R-CHIP:1Kohm,5%,1/10W,TP,1608	
ZR42	2007-000070	R-CHIP:0ohm,5%,1/10W,TP,1608	
ZR43	2007-000084	R-CHIP:4.7Kohm,5%,1/10W,TP,1608	
ZR44	2007-000070	R-CHIP:0ohm,5%,1/10W,TP,1608	
ZR45	2007-000070	R-CHIP:0ohm,5%,1/10W,TP,1608	
ZR46	2007-000070	R-CHIP:0ohm,5%,1/10W,TP,1608	
ZR48	2007-000070	R-CHIP:0ohm,5%,1/10W,TP,1608	
ZR5	2007-000074	R-CHIP:100ohm,5%,1/10W,TP,1608	
ZR57	2007-000070	R-CHIP:0ohm,5%,1/10W,TP,1608	
ZR6	2007-000084	R-CHIP:4.7Kohm,5%,1/10W,TP,1608	
ZR60	2007-000074	R-CHIP:100ohm,5%,1/10W,TP,1608	
ZR62	2007-000084	R-CHIP:4.7Kohm,5%,1/10W,TP,1608	
ZR66	2007-000113	R-CHIP:33ohm,5%,1/10W,TP,1608	
ZR67	2007-000113	R-CHIP:33ohm,5%,1/10W,TP,1608	
ZR69	2007-000074	R-CHIP:100ohm,5%,1/10W,TP,1608	
ZR7	2007-000084	R-CHIP:4.7Kohm,5%,1/10W,TP,1608	
ZR72	2007-000070	R-CHIP:0ohm,5%,1/10W,TP,1608	
ZY1	2801-004282	CRYSTAL-SMD:27MHz,10ppm,28-ABV,20pF,20oh	
32	AK92-00216A	ASSY PCB-MAIN B:DVD-L200/XAA,ASSY PCB MA	
AB105	3301-000314	BEAD-SMD:AB,120ohm,1.6x0.8x0.8mm,150mA,	
AB106	3301-000314	BEAD-SMD:AB,120ohm,1.6x0.8x0.8mm,150mA,	
AC114	2203-005148	C-CER,CHIP:100nf,10%,16V,X7R,TP,1608,-	
AC145	2203-005148	C-CER,CHIP:100nf,10%,16V,X7R,TP,1608,-	
AC229	2203-001607	C-CER,CHIP:0.22nf,5%,50V,NP0,TP,1608	
AC230	2203-001607	C-CER,CHIP:0.22nf,5%,50V,NP0,TP,1608	
AD220	0407-000116	DIODE-ARRAY:DAP202K,80V,100mA,CK2-3,SOT-	
AE111	2404-000139	C-TA,CHIP:10uf,20%,6.3V,-,TP,3216,-	
AE112	2404-000139	C-TA,CHIP:10uf,20%,6.3V,-,TP,3216,-	
AE115	2404-000304	C-TA,CHIP:22uf,20%,6.3V,-,TP,3528,-	
AIC111	1201-000163	IC-OP AMP:4560,SOP,8P;173MIL,DUAL,100V/m	
AIC112	1201-000163	IC-OP AMP:4560,SOP,8P;173MIL,DUAL,100V/m	
AIC186	1001-001003	IC-ANALOG SWITCH:4S66,BILATERAL,SOP,5P,1	
AIC187	1001-001003	IC-ANALOG SWITCH:4S66,BILATERAL,SOP,5P,1	
AQ155	0501-000314	TR-SMALL SIGNAL:KSA812,PNP,150mW,SOT-23,	
AQ177	0504-000113	TR-DIGITAL:DTC144EUA,NPN,200MW,47K/47K,S	
AQ220	0501-000314	TR-SMALL SIGNAL:KSA812,PNP,150mW,SOT-23,	
AQ221	0501-000218	TR-SMALL SIGNAL:2SC4081,NPN,200mW,UMT,TP	
AQ222	0501-000218	TR-SMALL SIGNAL:2SC4081,NPN,200mW,UMT,TP	
AQ227	0504-000113	TR-DIGITAL:DTC144EUA,NPN,200MW,47K/47K,S	
AQ250	0501-000218	TR-SMALL SIGNAL:2SC4081,NPN,200mW,UMT,TP	
AQ251	0501-000218	TR-SMALL SIGNAL:2SC4081,NPN,200mW,UMT,TP	
AQ252	0504-000113	TR-DIGITAL:DTC144EUA,NPN,200MW,47K/47K,S	
AQ253	0504-000113	TR-DIGITAL:DTC144EUA,NPN,200MW,47K/47K,S	
AQ254	0504-000152	TR-DIGITAL:KSR2101,PNP,200mW,4.7K/4.7K,S	
AQ255	0504-000152	TR-DIGITAL:KSR2101,PNP,200mW,4.7K/4.7K,S	
AR133	2007-000821	R-CHIP:390ohm,1%,1/10W,TP,1608	
AR134	2007-000821	R-CHIP:390ohm,1%,1/10W,TP,1608	
AR135	2007-000097	R-CHIP:47Kohm,5%,1/10W,TP,1608	
AR143	2007-000097	R-CHIP:47Kohm,5%,1/10W,TP,1608	
AR155	2007-000079	R-CHIP:1.8Kohm,5%,1/10W,TP,1608	

Loc.No	Part No	Description ; Specification	Remark
AR210	2007-000074	R-CHIP:100ohm,5%,1/10W,TP,1608	
AR211	2007-000074	R-CHIP:100ohm,5%,1/10W,TP,1608	
AR214	2007-000074	R-CHIP:100ohm,5%,1/10W,TP,1608	
AR215	2007-000074	R-CHIP:100ohm,5%,1/10W,TP,1608	
AR216	2007-000078	R-CHIP:1Kohm,5%,1/10W,TP,1608	
AR218	2007-000078	R-CHIP:1Kohm,5%,1/10W,TP,1608	
AR219	2007-000078	R-CHIP:1Kohm,5%,1/10W,TP,1608	
AR233	2007-000107	R-CHIP:470Kohm,5%,1/10W,TP,1608	
AR234	2007-000107	R-CHIP:470Kohm,5%,1/10W,TP,1608	
AR235	2007-000078	R-CHIP:1Kohm,5%,1/10W,TP,1608	
AR236	2007-000078	R-CHIP:1Kohm,5%,1/10W,TP,1608	
DOOR-S	3403-001131	SWITCH-PUSH:5V DC,0.2MA,-,-,-	
JACK3	3722-001831	JACK-PHONE:5P,-,SN,BLK,-	
KEY-SW	3404-001190	SWITCH-TACT:12V DC,50MA,-,4.3x6x9MM,4P	
PC101	2203-000257	C-CER,CHIP:10nf,10%,50V,X7R,TP,1608	
PC102	2203-000440	C-CER,CHIP:1nf,10%,50V,X7R,TP,1608,-	
PC103	2203-000440	C-CER,CHIP:1nf,10%,50V,X7R,TP,1608,-	
PC104	2203-005148	C-CER,CHIP:100nf,10%,16V,X7R,TP,1608,-	
PC105	2203-000440	C-CER,CHIP:1nf,10%,50V,X7R,TP,1608,-	
PC106	2203-000440	C-CER,CHIP:1nf,10%,50V,X7R,TP,1608,-	
PC107	2203-000440	C-CER,CHIP:1nf,10%,50V,X7R,TP,1608,-	
PC108	2203-000440	C-CER,CHIP:1nf,10%,50V,X7R,TP,1608,-	
PC109	2203-005148	C-CER,CHIP:100nf,10%,16V,X7R,TP,1608,-	
PC110	2203-000440	C-CER,CHIP:1nf,10%,50V,X7R,TP,1608,-	
PC111	2203-000440	C-CER,CHIP:1nf,10%,50V,X7R,TP,1608,-	
PC112	2203-000440	C-CER,CHIP:1nf,10%,50V,X7R,TP,1608,-	
PC113	2203-000257	C-CER,CHIP:10nf,10%,50V,X7R,TP,1608	
PC114	2203-005148	C-CER,CHIP:100nf,10%,16V,X7R,TP,1608,-	
PC115	2203-005148	C-CER,CHIP:100nf,10%,16V,X7R,TP,1608,-	
PC116	2203-005148	C-CER,CHIP:100nf,10%,16V,X7R,TP,1608,-	
PC117	2203-001607	C-CER,CHIP:0.22nf,5%,50V,NP0,TP,1608	
PC118	2203-000440	C-CER,CHIP:1nf,10%,50V,X7R,TP,1608,-	
PC119	2203-000257	C-CER,CHIP:10nf,10%,50V,X7R,TP,1608	
PC120	2203-005065	C-CER,CHIP:1000nf,+80-20%,10V,Y5V,TP,160	
PC121	2203-005148	C-CER,CHIP:100nf,10%,16V,X7R,TP,1608,-	
PC124	2203-005148	C-CER,CHIP:100nf,10%,16V,X7R,TP,1608,-	
PC125	2203-005065	C-CER,CHIP:1000nf,+80-20%,10V,Y5V,TP,160	
PC129	2203-005148	C-CER,CHIP:100nf,10%,16V,X7R,TP,1608,-	
PC130	2203-005065	C-CER,CHIP:1000nf,+80-20%,10V,Y5V,TP,160	
PC131	2203-005065	C-CER,CHIP:1000nf,+80-20%,10V,Y5V,TP,160	
PC132	2203-005148	C-CER,CHIP:100nf,10%,16V,X7R,TP,1608,-	
PC136	2203-005065	C-CER,CHIP:1000nf,+80-20%,10V,Y5V,TP,160	
PC137	2203-005148	C-CER,CHIP:100nf,10%,16V,X7R,TP,1608,-	
PC144	2203-005065	C-CER,CHIP:1000nf,+80-20%,10V,Y5V,TP,160	
PC145	2203-005148	C-CER,CHIP:100nf,10%,16V,X7R,TP,1608,-	
PC201	2203-002398	C-CER,CHIP:22nf,10%,50V,X7R,TP,1608	
PC203	2203-002398	C-CER,CHIP:22nf,10%,50V,X7R,TP,1608	
PC205	2203-000236	C-CER,CHIP:0.1NF,5%,50V,COG,TP,1608	
PC208	2203-005148	C-CER,CHIP:100nf,10%,16V,X7R,TP,1608,-	
PC209	2203-005065	C-CER,CHIP:1000nf,+80-20%,10V,Y5V,TP,160	
PC501	2203-001724	C-CER,CHIP:4700NF,+80-20%,16V,Y5V,TP,321	
PC502	2203-005148	C-CER,CHIP:100nf,10%,16V,X7R,TP,1608,-	
PC503	2203-005148	C-CER,CHIP:100nf,10%,16V,X7R,TP,1608,-	
PC504	2203-000440	C-CER,CHIP:1nf,10%,50V,X7R,TP,1608,-	
PC505	2203-005148	C-CER,CHIP:100nf,10%,16V,X7R,TP,1608,-	
PC506	2203-005148	C-CER,CHIP:100nf,10%,16V,X7R,TP,1608,-	
PC507	2203-005148	C-CER,CHIP:100nf,10%,16V,X7R,TP,1608,-	
PC510	2203-005148	C-CER,CHIP:100nf,10%,16V,X7R,TP,1608,-	
PC511	2203-005148	C-CER,CHIP:100nf,10%,16V,X7R,TP,1608,-	
PCON1	3708-001728	CONNECTOR-FPC/FFC/PIC:36P,0.5MM,SMD-A,SN	
PCON1B	3809-001478	FFC CABLE-FLAT:30V,80C,55mm,36P,0.5mm,UL	
PCON2	3708-001728	CONNECTOR-FPC/FFC/PIC:36P,0.5MM,SMD-A,SN	
PCON2B	3809-001342	CABLE-FLAT:30V,80C,90MM,36P,0.5MM,UL2896	
PCON3	3711-002612	CONNECTOR-HEADER:BOX,5P,1R,1.25mm,SMD-A,	
PDS01	0404-001173	DIODE-SCHOTTKY:RB081L-20,20V,4000MA,SOD-	
PDS02	0404-001173	DIODE-SCHOTTKY:RB081L-20,20V,4000MA,SOD-	

Loc.No	Part No	Description ; Specification	Remark	Loc.No	Part No	Description ; Specification	Remark
PE101	2404-000256	C-TA,CHIP:47uF,20%,16V,GP,TP,7343		PR133	2007-000092	R-CHIP:15Kohm,5%,1/10W,TP,1608	
PE102	2404-001043	C-TA,CHIP:47uF,20%,10V,GP,TP,6032,-		PR134	2007-000097	R-CHIP:47Kohm,5%,1/10W,TP,1608	
PE104	2404-001043	C-TA,CHIP:47uF,20%,10V,GP,TP,6032,-		PR135	2007-000094	R-CHIP:22Kohm,5%,1/10W,TP,1608	
PE108	2404-001043	C-TA,CHIP:47uF,20%,10V,GP,TP,6032,-		PR136	2007-000094	R-CHIP:22Kohm,5%,1/10W,TP,1608	
PE110	2404-001043	C-TA,CHIP:47uF,20%,10V,GP,TP,6032,-		PR137	2007-000091	R-CHIP:12Kohm,5%,1/10W,TP,1608	
PE114	2404-001043	C-TA,CHIP:47uF,20%,10V,GP,TP,6032,-		PR138	2007-000086	R-CHIP:5.6Kohm,5%,1/10W,TP,1608	
PE121	2404-001043	C-TA,CHIP:47uF,20%,10V,GP,TP,6032,-		PR139	2007-000097	R-CHIP:47Kohm,5%,1/10W,TP,1608	
PE202	2404-001043	C-TA,CHIP:47uF,20%,10V,GP,TP,6032,-		PR140	2007-000091	R-CHIP:12Kohm,5%,1/10W,TP,1608	
PE501	2404-001131	C-TA,CHIP:22uF,10%,10V,GP,TP,3528		PR141	2007-000090	R-CHIP:10Kohm,5%,1/10W,TP,1608	
PF501	3601-001335	FUSE-SURFACE MOUNT:125V,3.5A,SLOW-BLOW,C		PR143	2007-000094	R-CHIP:22Kohm,5%,1/10W,TP,1608	
PIC01	1203-001534	IC-PWM CONTROLLER:TL14661,QFP,64P,-,PLAS		PR144	2007-000772	R-CHIP:33Kohm,1%,1/10W,TP,1608	
PIC02	1203-002595	IC-PWM CONTROLLER:MP1580HSOIC,8P,-,PLA		PR191	2007-000060	R-CHIP:100Kohm,1%,1/10W,TP,1608	
PIC03	1201-001125	IC-OP AMP:75S01,SOP,5P,63MIL,SINGLE,100d		PR192	2007-001096	R-CHIP:62Kohm,1%,1/10W,TP,1608	
PIC04	1203-001848	IC-VOLTAGE REGULATOR:50B,SOP,8P,157MIL,P		PR193	2007-000097	R-CHIP:47Kohm,5%,1/10W,TP,1608	
PIC05	1201-001125	IC-OP AMP:75S01,SOP,5P,63MIL,SINGLE,100d		PR194	2007-000097	R-CHIP:47Kohm,5%,1/10W,TP,1608	
PIC06	1201-001125	IC-OP AMP:75S01,SOP,5P,63MIL,SINGLE,100d		PR196	2007-000097	R-CHIP:47Kohm,5%,1/10W,TP,1608	
PJ501	3722-001830	JACK-DC POWER:3P,4.API,AG,-		PR201	2007-000869	R-CHIP:4.7Kohm,1%,1/10W,TP,1608	
PL101	2703-002054	INDUCTOR-SMD:47uH,20%,6060		PR202	2007-000052	R-CHIP:10Kohm,1%,1/10W,TP,1608	
PL103	2703-002054	INDUCTOR-SMD:47uH,20%,6060		PR203	2007-000090	R-CHIP:10Kohm,5%,1/10W,TP,1608	
PL107	2703-002054	INDUCTOR-SMD:47uH,20%,6060		PR501	2007-007569	R-CHIP:0.025OHM,1%,1W,TP,6432	
PL109	2703-002054	INDUCTOR-SMD:47uH,20%,6060		PR502	2007-000043	R-CHIP:1Kohm,1%,1/10W,TP,1608	
PL113	2703-002054	INDUCTOR-SMD:47uH,20%,6060		PR503	2007-000828	R-CHIP:39Kohm,1%,1/10W,TP,1608	
PL120	2703-002054	INDUCTOR-SMD:47uH,20%,6060		PR504	2007-000109	R-CHIP:1Mohm,5%,1/10W,TP,1608	
PL201	2703-001871	INDUCTOR-SMD:10uH,20%,6060		PR505	2007-000102	R-CHIP:100Kohm,5%,1/10W,TP,1608	
PLED1	0601-001024	LED-SMD,RED,1.6x2.3MM,660NM		PR506	2007-000084	R-CHIP:4.7Kohm,5%,1/10W,TP,1608	
POWER-	3404-001190	SWITCH-TACT:12V DC,50MA,-,4.3X6X9MM,4P		PR507	2007-000084	R-CHIP:4.7Kohm,5%,1/10W,TP,1608	
PQ101	0502-001178	TR-POWER:CPH6702,PNP,1300mW,CPH6,TP,200		PR508	2007-000060	R-CHIP:100Kohm,1%,1/10W,TP,1608	
PQ102	0502-001178	TR-POWER:CPH6702,PNP,1300mW,CPH6,TP,200		PR509	2007-000060	R-CHIP:100Kohm,1%,1/10W,TP,1608	
PQ103	0502-001178	TR-POWER:CPH6702,PNP,1300mW,CPH6,TP,200		PR510	2007-000060	R-CHIP:100Kohm,1%,1/10W,TP,1608	
PQ104	0502-001178	TR-POWER:CPH6702,PNP,1300mW,CPH6,TP,200		PR511	2007-000060	R-CHIP:100Kohm,1%,1/10W,TP,1608	
PQ105	0502-001178	TR-POWER:CPH6702,PNP,1300mW,CPH6,TP,200		PR519	2007-000090	R-CHIP:10Kohm,5%,1/10W,TP,1608	
PQ106	0502-001178	TR-POWER:CPH6702,PNP,1300mW,CPH6,TP,200		PR520	2007-000060	R-CHIP:100Kohm,1%,1/10W,TP,1608	
PQ501	0504-000113	TR-DIGITAL:DTC144EUA,NPN,200MW,47K/47K,S		PR521	2007-000040	R-CHIP:150ohm,1%,1/10W,TP,1608	
PQ502	0505-001417	FET-SILICON:TPC8303,P,-30V,-4.5A,55mohm,		PR524	2007-000060	R-CHIP:100Kohm,1%,1/10W,TP,1608	
PQ503	0504-000113	TR-DIGITAL:DTC144EUA,NPN,200MW,47K/47K,S		PR525	2007-000060	R-CHIP:100Kohm,1%,1/10W,TP,1608	
PQ504	0501-000314	TR-SMALL SIGNAL:KSA812,PNP,150mW,SOT-23,		PR526	2007-000060	R-CHIP:100Kohm,1%,1/10W,TP,1608	
PQ505	0504-000113	TR-DIGITAL:DTC144EUA,NPN,200MW,47K/47K,S		PR527	2007-000060	R-CHIP:100Kohm,1%,1/10W,TP,1608	
PQ506	0504-000113	TR-DIGITAL:DTC144EUA,NPN,200MW,47K/47K,S		PZD01	0404-001173	DIODE-SCHOTTKY:RB081L-20,20V,4000MA,SOD-	
PR101	2007-000102	R-CHIP:100Kohm,5%,1/10W,TP,1608		VB101	3301-000314	BEAD-SMD:AB,120ohm,1.6x0.8x0.8mm,150mA,	
PR104	2007-000130	R-CHIP:39Kohm,5%,1/10W,TP,1608		VB102	3301-000314	BEAD-SMD:AB,120ohm,1.6x0.8x0.8mm,150mA,	
PR105	2007-000094	R-CHIP:22Kohm,5%,1/10W,TP,1608		VB103	3301-000314	BEAD-SMD:AB,120ohm,1.6x0.8x0.8mm,150mA,	
PR106	2007-000094	R-CHIP:22Kohm,5%,1/10W,TP,1608		VC101	2203-005148	C-CER,CHIP:100nF,10%,16V,X7R,TP,1608,-	
PR107	2007-000094	R-CHIP:22Kohm,5%,1/10W,TP,1608		VC102	2203-001607	C-CER,CHIP:0.22nF,5%,50V,NPO,TP,1608	
PR108	2007-000094	R-CHIP:22Kohm,5%,1/10W,TP,1608		VC103	2203-005148	C-CER,CHIP:100nF,10%,16V,X7R,TP,1608,-	
PR109	2007-000086	R-CHIP:5.6Kohm,5%,1/10W,TP,1608		VC104	2203-005148	C-CER,CHIP:100nF,10%,16V,X7R,TP,1608,-	
PR111	2007-000086	R-CHIP:5.6Kohm,5%,1/10W,TP,1608		VC106	2203-001607	C-CER,CHIP:0.22nF,5%,50V,NPO,TP,1608	
PR113	2007-000090	R-CHIP:10Kohm,5%,1/10W,TP,1608		VC107	2203-001607	C-CER,CHIP:0.22nF,5%,50V,NPO,TP,1608	
PR114	2007-000091	R-CHIP:12Kohm,5%,1/10W,TP,1608		VC108	2203-005148	C-CER,CHIP:100nF,10%,16V,X7R,TP,1608,-	
PR115	2007-000090	R-CHIP:10Kohm,5%,1/10W,TP,1608		VC197	2203-000440	C-CER,CHIP:1nF,10%,50V,X7R,TP,1608,-	
PR116	2007-000090	R-CHIP:10Kohm,5%,1/10W,TP,1608		VC213	2203-005148	C-CER,CHIP:100nF,10%,16V,X7R,TP,1608,-	
PR117	2007-000086	R-CHIP:5.6Kohm,5%,1/10W,TP,1608		VE101	2404-001043	C-TA,CHIP:47uF,20%,10V,GP,TP,6032,-	
PR118	2007-000090	R-CHIP:10Kohm,5%,1/10W,TP,1608		VE102	2404-000259	C-TA,CHIP:47uF,20%,6.3V,-,TP,6032,-	
PR119	2007-000090	R-CHIP:10Kohm,5%,1/10W,TP,1608		VE103	2404-000112	C-TA,CHIP:100uF,20%,6.3V,-,TP,7343,-	
PR120	2007-000086	R-CHIP:5.6Kohm,5%,1/10W,TP,1608		VE104	2404-000304	C-TA,CHIP:22uF,20%,6.3V,-,TP,3528,-	
PR121	2007-000094	R-CHIP:22Kohm,5%,1/10W,TP,1608		VE105	2404-000259	C-TA,CHIP:47uF,20%,6.3V,-,TP,6032,-	
PR122	2007-000086	R-CHIP:5.6Kohm,5%,1/10W,TP,1608		VE106	2404-000304	C-TA,CHIP:22uF,20%,6.3V,-,TP,3528,-	
PR123	2007-000091	R-CHIP:12Kohm,5%,1/10W,TP,1608		VE107	2404-000112	C-TA,CHIP:100uF,20%,6.3V,-,TP,7343,-	
PR124	2007-000086	R-CHIP:5.6Kohm,5%,1/10W,TP,1608		VE108	2404-000139	C-TA,CHIP:10uF,20%,6.3V,-,TP,3216,-	
PR125	2007-000091	R-CHIP:12Kohm,5%,1/10W,TP,1608		VE109	2404-001043	C-TA,CHIP:47uF,20%,10V,GP,TP,6032,-	
PR126	2007-000094	R-CHIP:22Kohm,5%,1/10W,TP,1608		VE110	2404-000259	C-TA,CHIP:47uF,20%,6.3V,-,TP,6032,-	
PR127	2007-000097	R-CHIP:47Kohm,5%,1/10W,TP,1608		VIC01	1201-002008	IC-VIDEO AMP:MM1566AFBE,SOP,16P:9x3.93	
PR128	2007-000097	R-CHIP:47Kohm,5%,1/10W,TP,1608		VJ101	3722-001202	JACK-PHONE:7P,3.API,AG,YEL_NO	
PR129	2007-000124	R-CHIP:2.2Kohm,5%,1/10W,TP,1608		VL101	2703-000398	INDUCTOR-SMD:10uH,10%,3225	
PR130	2007-000708	R-CHIP:3.9Kohm,1%,1/10W,TP,1608		VQ101	0501-000218	TR-SMALL SIGNAL:2SC4081,NPN,200mW,UMT,TP	
PR131	2007-000094	R-CHIP:22Kohm,5%,1/10W,TP,1608		VQ102	0501-000218	TR-SMALL SIGNAL:2SC4081,NPN,200mW,UMT,TP	
PR132	2007-000084	R-CHIP:4.7Kohm,5%,1/10W,TP,1608		VR101	2007-001164	R-CHIP:75ohm,1%,1/10W,TP,1608	

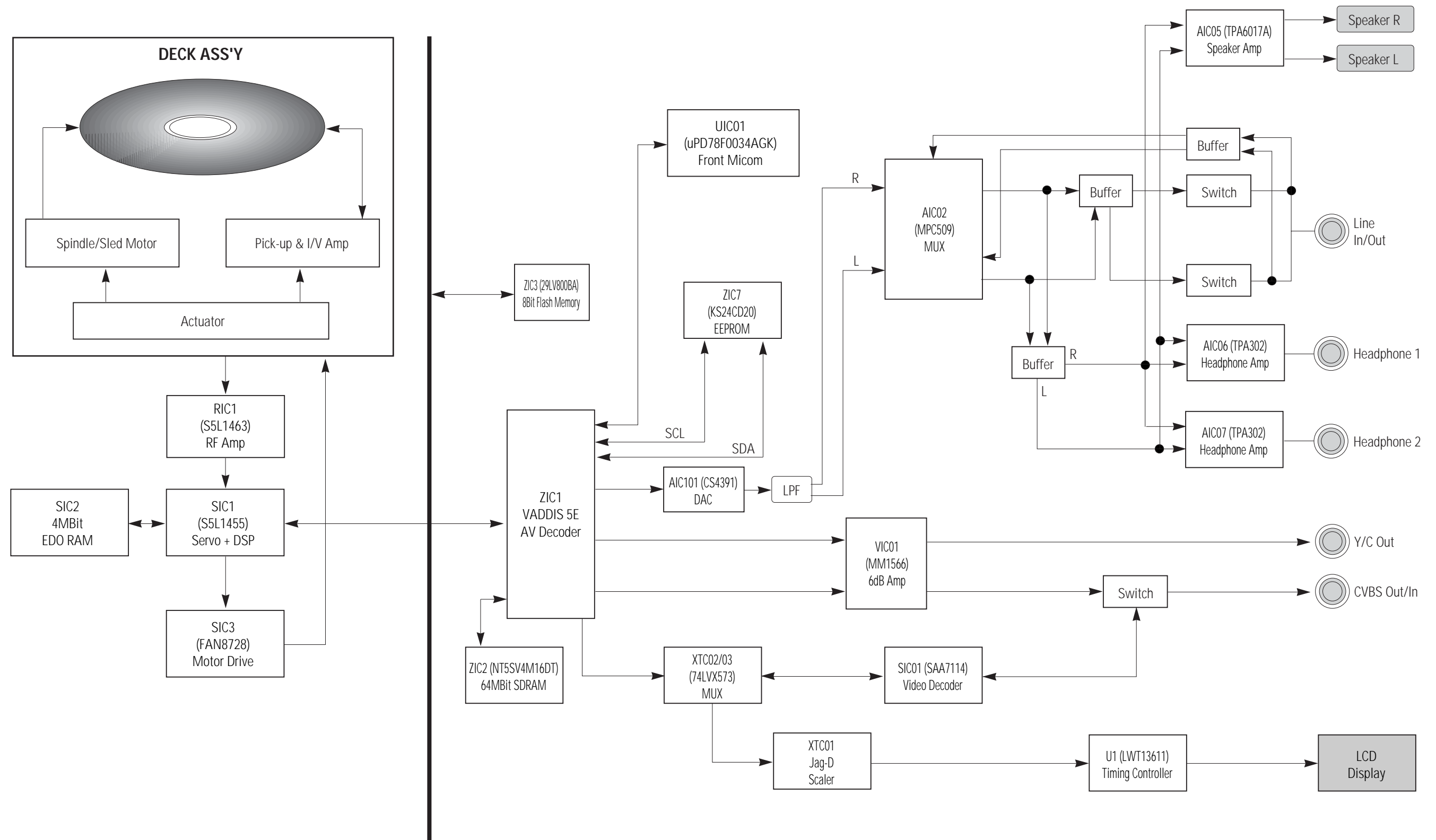
Electrical Parts List

Loc.No	Part No	Description ; Specification	Remark	Loc.No	Part No	Description ; Specification	Remark
VR102	2007-001164	R-CHIP:75ohm,1%,1/10W,TP,1608		UR228	2007-000075	R-CHIP:220ohm,5%,1/10W,TP,1608	
VR103	2007-000094	R-CHIP:22Kohm,5%,1/10W,TP,1608		UR255	2007-000070	R-CHIP:0ohm,5%,1/10W,TP,1608	
VR104	2007-001164	R-CHIP:75ohm,1%,1/10W,TP,1608		UR300	2007-000070	R-CHIP:0ohm,5%,1/10W,TP,1608	
VR105	2007-000075	R-CHIP:220ohm,5%,1/10W,TP,1608		UR301	2007-000070	R-CHIP:0ohm,5%,1/10W,TP,1608	
VR106	2007-000084	R-CHIP:4.7Kohm,5%,1/10W,TP,1608		UR302	2007-000070	R-CHIP:0ohm,5%,1/10W,TP,1608	
VR107	2007-000084	R-CHIP:4.7Kohm,5%,1/10W,TP,1608		USW01	3404-001121	SWITCH-TACT:12V DC,50mA,160gf,4.8x4,8x0.	
VR108	2007-000121	R-CHIP:820ohm,5%,1/10W,TP,1608		USW02	3404-001121	SWITCH-TACT:12V DC,50mA,160gf,4.8x4,8x0.	
VR110	2007-001164	R-CHIP:75ohm,1%,1/10W,TP,1608		USW03	3404-001121	SWITCH-TACT:12V DC,50mA,160gf,4.8x4,8x0.	
VR111	2007-001164	R-CHIP:75ohm,1%,1/10W,TP,1608		USW04	3404-001121	SWITCH-TACT:12V DC,50mA,160gf,4.8x4,8x0.	
VR112	2007-001164	R-CHIP:75ohm,1%,1/10W,TP,1608		USW05	3404-001121	SWITCH-TACT:12V DC,50mA,160gf,4.8x4,8x0.	
VR113	2007-001164	R-CHIP:75ohm,1%,1/10W,TP,1608		USW06	3404-001121	SWITCH-TACT:12V DC,50mA,160gf,4.8x4,8x0.	
VR114	2007-001164	R-CHIP:75ohm,1%,1/10W,TP,1608		USW07	3404-001121	SWITCH-TACT:12V DC,50mA,160gf,4.8x4,8x0.	
VR115	2007-001164	R-CHIP:75ohm,1%,1/10W,TP,1608		USW08	3404-001121	SWITCH-TACT:12V DC,50mA,160gf,4.8x4,8x0.	
VR196	2007-000097	R-CHIP:47Kohm,5%,1/10W,TP,1608		USW09	3404-001121	SWITCH-TACT:12V DC,50mA,160gf,4.8x4,8x0.	
VR197	2007-000078	R-CHIP:1Kohm,5%,1/10W,TP,1608		USW13	3404-001121	SWITCH-TACT:12V DC,50mA,160gf,4.8x4,8x0.	
				USW14	3404-001121	SWITCH-TACT:12V DC,50mA,160gf,4.8x4,8x0.	
				USW15	3404-001121	SWITCH-TACT:12V DC,50mA,160gf,4.8x4,8x0.	
				USW16	3404-001121	SWITCH-TACT:12V DC,50mA,160gf,4.8x4,8x0.	
				UXT02	2801-004148	CRYSTAL-SMD:8.38MHZ,20PPM,5X-7,22PF,600H	
33	AK92-00217A	ASSY PCB-KEY:DVD-L200/XAA,KEY PCB ASSY		34	AH92-01542A	ASSY PCB-TERMINAL:DVD-L100,TERMINAL	
UC101	2203-001724	C-CER,CHIP:4700NF,+80-20%,16V,Y5V,TP,321		BATT1	3711-002612	CONNECTOR-HEADER:BOX,5P,1R,1.25mm,SMD-A,	
UC102	2203-005148	C-CER,CHIP:100nf,10%,16V,X7R,TP,1608,-		BATT1B	AK39-00005A	CONNECT WIRE:-,#30,-5,-,WHITE/BLK,-,510	
UC103	2203-005065	C-CER,CHIP:1000nf,+80-20%,10V,Y5V,TP,160		BATT2	3711-005095	CONNECTOR-HEADER:NOWALL,4P,-,2.5MM,SMD-S	
UC104	2203-005065	C-CER,CHIP:1000nf,+80-20%,10V,Y5V,TP,160					
UC105	2203-005065	C-CER,CHIP:1000nf,+80-20%,10V,Y5V,TP,160					
UC106	2203-000140	C-CER,CHIP:1.5nf,10%,50V,X7R,TP,1608,-		35	AK92-00275B	ASSY PCB-INVERTER:DVD-L200,INVERTER ASSY	
UC107	2203-001724	C-CER,CHIP:4700NF,+80-20%,16V,Y5V,TP,321		BC101	2203-005148	C-CER,CHIP:100nf,10%,16V,X7R,TP,1608,-	
UC108	2203-005148	C-CER,CHIP:100nf,10%,16V,X7R,TP,1608,-		BC102	2203-002793	C-CER,CHIP:1000nf,+80-20%,25V,Y5V,TP,201	
UC111	2203-000746	C-CER,CHIP:0.03NF,5%,50V,COG,TP,1608		BC103	2203-000260	C-CER,CHIP:10nf,10%,50V,X7R,TP,2012	
UC112	2203-000746	C-CER,CHIP:0.03NF,5%,50V,COG,TP,1608		BC104	2203-000260	C-CER,CHIP:10nf,10%,50V,X7R,TP,2012	
UC113	2203-005065	C-CER,CHIP:1000nf,+80-20%,10V,Y5V,TP,160		BC105	2203-002793	C-CER,CHIP:1000nf,+80-20%,25V,Y5V,TP,201	
UCON01	3708-001727	CONNECTOR-FPC/FPC/PIC:50P0.5MM,SMD-A,SN		BC107	2203-005065	C-CER,CHIP:1000nf,+80-20%,10V,Y5V,TP,160	
UD102	0401-000171	DIODE-SWITCHING:MA111,80V,100mA,-,3nS,SM		BC108	2203-000257	C-CER,CHIP:10nf,10%,50V,X7R,TP,1608	
UD103	0401-000171	DIODE-SWITCHING:MA111,80V,100mA,-,3nS,SM		BC109	2203-005065	C-CER,CHIP:1000nf,+80-20%,10V,Y5V,TP,160	
UD104	0401-000171	DIODE-SWITCHING:MA111,80V,100mA,-,3nS,SM		BC110	2203-002793	C-CER,CHIP:1000nf,+80-20%,25V,Y5V,TP,201	
UD105	0401-000171	DIODE-SWITCHING:MA111,80V,100mA,-,3nS,SM		BC111	2203-002793	C-CER,CHIP:1000nf,+80-20%,25V,Y5V,TP,201	
UIC01	AK09-00011B	IC MICOM:UPD780034AGK-B11-9ET,-,-,-,-,-		BC112	2203-005221	C-CER,CHIP:15nf,10%,50V,X7R,TP,1608,-	
UIC02	1203-001394	IC-VOL DETECTOR:9735,SOT-23,3P,-,PLASTI		BC115	2203-005660	C-CER,CHIP:220nf,+80-20%,25V,Y5V,TP,1608	
UR101	2007-000090	R-CHIP:10Kohm,5%,1/10W,TP,1608		BC116	2203-005065	C-CER,CHIP:1000nf,+80-20%,10V,Y5V,TP,160	
UR102	2007-000090	R-CHIP:10Kohm,5%,1/10W,TP,1608		BC117	2203-000236	C-CER,CHIP:0.1NF,5%,50V,COG,TP,1608	
UR103	2007-000090	R-CHIP:10Kohm,5%,1/10W,TP,1608		BC118	2203-000257	C-CER,CHIP:10nf,10%,50V,X7R,TP,1608	
UR104	2007-000090	R-CHIP:10Kohm,5%,1/10W,TP,1608		BC119	2203-005660	C-CER,CHIP:220nf,+80-20%,25V,Y5V,TP,1608	
UR105	2007-000075	R-CHIP:220ohm,5%,1/10W,TP,1608		BC120	2203-005043	C-CER,CHIP:15pf,5%,3KV,CH,TP,4520,-	
UR108	2007-000070	R-CHIP:0ohm,5%,1/10W,TP,1608		BC165	2203-001652	C-CER,CHIP:470nf,+80-20%,16V,Y5V,TP,1608	
UR109	2007-000075	R-CHIP:220ohm,5%,1/10W,TP,1608		BCON01	3711-005343	CONNECTOR-HEADER:BOX,5P,1R,1.25MM,SMD-A,	
UR110	2007-000075	R-CHIP:220ohm,5%,1/10W,TP,1608		BCON02	3711-004702	CONNECTOR-HEADER:BOX,2P,1R,3.5mm,SMD-A,S	
UR112	2007-000075	R-CHIP:220ohm,5%,1/10W,TP,1608		BD101	0407-000101	DIODE-ARRAY:DA204K,20V,100mA,C2-3,SOT-23	
UR113	2007-000078	R-CHIP:1Kohm,5%,1/10W,TP,1608		BD102	0407-000101	DIODE-ARRAY:DA204K,20V,100mA,C2-3,SOT-23	
UR114	2007-000078	R-CHIP:1Kohm,5%,1/10W,TP,1608		BE101	2203-001112	C-CER,CHIP:6.8uf,+80-20%,16V,Y5V,TP,3225	
UR117	2007-000092	R-CHIP:15Kohm,5%,1/10W,TP,1608		BIC01	1203-002154	IC-PWM CONTROLLER:1011,TSSOP,20P,173MIL	
UR118	2007-000078	R-CHIP:1Kohm,5%,1/10W,TP,1608		BQ101	0501-000341	TR-SMALL SIGNAL:K5C1623-L,NPN,200mW,SOT-	
UR121	2007-000071	R-CHIP:22ohm,5%,1/10W,TP,1608		BQ102	0501-000341	TR-SMALL SIGNAL:K5C1623-L,NPN,200mW,SOT-	
UR122	2007-000070	R-CHIP:0ohm,5%,1/10W,TP,1608		BQ165	0501-000314	TR-SMALL SIGNAL:KSA812,PNP,150mW,SOT-23,	
UR123	2007-000074	R-CHIP:100ohm,5%,1/10W,TP,1608		BQ199	0504-000126	TR-DIGITAL:KSR1101,NPN,200mW,4.7K/4.7K,S	
UR124	2007-000078	R-CHIP:1Kohm,5%,1/10W,TP,1608		BR101	2007-000637	R-CHIP:270Kohm,5%,1/10W,TP,1608	
UR128	2007-000075	R-CHIP:220ohm,5%,1/10W,TP,1608		BR102	2007-000691	R-CHIP:3.3Mohm,5%,1/10W,TP,1608	
UR130	2007-000075	R-CHIP:220ohm,5%,1/10W,TP,1608		BR103	2007-000109	R-CHIP:1Mohm,5%,1/10W,TP,1608	
UR131	2007-000075	R-CHIP:220ohm,5%,1/10W,TP,1608		BR104	2007-000109	R-CHIP:1Mohm,5%,1/10W,TP,1608	
UR132	2007-000075	R-CHIP:220ohm,5%,1/10W,TP,1608		BR105	2007-000078	R-CHIP:1Kohm,5%,1/10W,TP,1608	
UR133	2007-000075	R-CHIP:220ohm,5%,1/10W,TP,1608		BR106	2007-000090	R-CHIP:10Kohm,5%,1/10W,TP,1608	
UR134	2007-000075	R-CHIP:220ohm,5%,1/10W,TP,1608		BR108	2007-000070	R-CHIP:0ohm,5%,1/10W,TP,1608	
UR135	2007-000075	R-CHIP:220ohm,5%,1/10W,TP,1608		BR109	2007-000075	R-CHIP:220ohm,5%,1/10W,TP,1608	
UR136	2007-000075	R-CHIP:220ohm,5%,1/10W,TP,1608		BR110	2007-000102	R-CHIP:100Kohm,5%,1/10W,TP,1608	
UR137	2007-000090	R-CHIP:10Kohm,5%,1/10W,TP,1608		BR111	2007-000126	R-CHIP:4.3Kohm,5%,1/10W,TP,1608	
UR138	2007-000090	R-CHIP:10Kohm,5%,1/10W,TP,1608		BR112	2007-000026	R-CHIP:200ohm,5%,1/8W,TP,2012	
UR155	2007-000070	R-CHIP:0ohm,5%,1/10W,TP,1608		BR131	2007-000086	R-CHIP:5.6Kohm,5%,1/10W,TP,1608	
UR156	2007-000078	R-CHIP:1Kohm,5%,1/10W,TP,1608					
UR157	2007-000075	R-CHIP:220ohm,5%,1/10W,TP,1608					

Loc.No	Part No	Description ; Specification	Remark	Loc.No	Part No	Description ; Specification	Remark
BR132	2007-000086	R-CHIP:5.6Kohm,5%,1/10W,TP,1608		R36	2007-000655	R-CHIP:27Kohm,5%,1/10W,TP,1608	
BR135	2007-000079	R-CHIP:1.8Kohm,5%,1/10W,TP,1608		R42	2007-000052	R-CHIP:10Kohm,1%,1/10W,TP,1608	
BR165	2007-000090	R-CHIP:10Kohm,5%,1/10W,TP,1608		R43	2007-000939	R-CHIP:47Kohm,1%,1/10W,TP,1608	
BR199	2007-000090	R-CHIP:10Kohm,5%,1/10W,TP,1608		R45	2007-000067	R-CHIP:15Kohm,1%,1/10W,TP,1608	
BR201	2007-000033	R-CHIP:0ohm,5%,1/4W,TP,3216		R49	2007-000655	R-CHIP:27Kohm,5%,1/10W,TP,1608	
BT101	2601-001104	TRANS-SMD,PULSE:6.900MH,0.3 OHM,-,28X10X		R50	2007-007720	R-CHIP:300Kohm,1%,1/10W,TP,1608	
PAL	2007-000070	R-CHIP:0ohm,5%,1/10W,TP,1608		R55	2007-000052	R-CHIP:10Kohm,1%,1/10W,TP,1608	
36	AK92-00218A	ASSY PCB-T/CON:DVD-L200/XAA,T/CON PCB AS		R56	2007-000075	R-CHIP:220ohm,5%,1/10W,TP,1608	
B1	3301-001237	BEAD-SMD,-,120,-,150,-55TO+125C,-,1.2		R57	2007-000052	R-CHIP:10Kohm,1%,1/10W,TP,1608	
C1	2203-005571	C-CER,CHIP:10000NF,+80-20%,6.3V,Y5V,TP,2		R58	2007-000075	R-CHIP:220ohm,5%,1/10W,TP,1608	
C10	2203-005148	C-CER,CHIP:100nF,10%,16V,X7R,TP,1608,-		R61	2007-001433	R-CHIP:12Kohm,1%,1/10W,TP,1608	
C11	2203-005065	C-CER,CHIP:100nF,+80-20%,10V,Y5V,TP,160		R62	2007-001433	R-CHIP:12Kohm,1%,1/10W,TP,1608	
C12	2203-005148	C-CER,CHIP:100nF,10%,16V,X7R,TP,1608,-		R63	2007-000736	R-CHIP:30Kohm,1%,1/10W,TP,1608	
C17	2203-005148	C-CER,CHIP:100nF,10%,16V,X7R,TP,1608,-		R74	3301-001237	BEAD-SMD,-,120,-,150,-55TO+125C,-,1.2	
C18	2203-005148	C-CER,CHIP:100nF,10%,16V,X7R,TP,1608,-		R76	2007-000779	R-CHIP:33ohm,1%,1/10W,TP,1608	
C2	2203-005571	C-CER,CHIP:10000NF,+80-20%,6.3V,Y5V,TP,2		R80	2007-000779	R-CHIP:33ohm,1%,1/10W,TP,1608	
C3	2203-005448	C-CER,CHIP:22000nF,+80-20%,10V,Y5V,TP,32		R84	2007-000070	R-CHIP:0ohm,5%,1/10W,TP,1608	
C4	2203-005148	C-CER,CHIP:100nF,10%,16V,X7R,TP,1608,-		R85	2007-000070	R-CHIP:0ohm,5%,1/10W,TP,1608	
C41	2203-001408	C-CER,CHIP:0.27nF,5%,50V,NPO,TP,1608		R86	2007-000070	R-CHIP:0ohm,5%,1/10W,TP,1608	
C43	2203-005148	C-CER,CHIP:100nF,10%,16V,X7R,TP,1608,-		R87	2007-000070	R-CHIP:0ohm,5%,1/10W,TP,1608	
C45	2203-005571	C-CER,CHIP:10000NF,+80-20%,6.3V,Y5V,TP,2		R9	2007-000239	R-CHIP:1.5Kohm,1%,1/10W,TP,1608	
C46	2203-005571	C-CER,CHIP:10000NF,+80-20%,6.3V,Y5V,TP,2		R92	2007-002899	R-CHIP:10ohm,1%,1/10W,TP,1608	
C48	2203-005148	C-CER,CHIP:100nF,10%,16V,X7R,TP,1608,-		R99	2007-000287	R-CHIP:100OHM,1%,1/10W,DA,TP,1608	
C5	2203-005148	C-CER,CHIP:100nF,10%,16V,X7R,TP,1608,-		RA1	2011-000475	R-NET:330HM,5%,1/16W,L,CHIP,8P,TP,32	
C51	2203-005148	C-CER,CHIP:100nF,10%,16V,X7R,TP,1608,-		RA2	2011-000475	R-NET:330HM,5%,1/16W,L,CHIP,8P,TP,32	
C52	2203-005148	C-CER,CHIP:100nF,10%,16V,X7R,TP,1608,-		RA3	2011-000475	R-NET:330HM,5%,1/16W,L,CHIP,8P,TP,32	
C53	2203-005148	C-CER,CHIP:100nF,10%,16V,X7R,TP,1608,-		RA4	2011-000475	R-NET:330HM,5%,1/16W,L,CHIP,8P,TP,32	
C54	2203-005148	C-CER,CHIP:100nF,10%,16V,X7R,TP,1608,-		TCON1	3708-001867	CONNECTOR-FPC/FFC/PIC:40P,0.5MM,SMD-A,SN	
C55	2203-005148	C-CER,CHIP:100nF,10%,16V,X7R,TP,1608,-		TCON2	3708-001655	CONNECTOR-FPC/FFC/PIC:30P,0.5MM,STRAIGHT	
C56	2203-005148	C-CER,CHIP:100nF,10%,16V,X7R,TP,1608,-		TCON3	3708-001655	CONNECTOR-FPC/FFC/PIC:30P,0.5MM,STRAIGHT	
C57	2203-005148	C-CER,CHIP:100nF,10%,16V,X7R,TP,1608,-		TCON4	3711-000541	CONNECTOR-HEADER:BOX,2P,1R,1.25MM,SMD-A,	
C6	2203-005148	C-CER,CHIP:100nF,10%,16V,X7R,TP,1608,-		TCON5	3711-000541	CONNECTOR-HEADER:BOX,2P,1R,1.25MM,SMD-A,	
C60	2203-005148	C-CER,CHIP:100nF,10%,16V,X7R,TP,1608,-		TCON6	3711-005343	CONNECTOR-HEADER:BOX,5P,1R,1.25MM,SMD-A,	
C63	2203-005148	C-CER,CHIP:100nF,10%,16V,X7R,TP,1608,-		TR1	0502-001147	TR-POWER:FMMT5400,PNP,330mW,SOT-23,TP,-	
C64	2203-005065	C-CER,CHIP:100nF,+80-20%,10V,Y5V,TP,160		TR2	0504-000113	TR-DIGITAL:DTIC144EUA,NPN,200mW,47K/47K,S	
D1	0401-001074	DIODE-SWITCHING:ZHC5750,30V,750MA,SOT-23		U1	AK13-00003A	IC ASIC,-,LWT13611,64,3.3V,-40C - +125	
IC2	1201-001473	IC-OP AMP:5220,MSOP,8P,150MIL,2,95DB,PLA		U2	1001-001183	IC-ANALOG SWITCH:MAX4684EUB,-,TSSOP,10P,	
IC4	0504-001074	TR-DIGITAL:RN4907,NPN/PNP,200mW,10K/47K,					
IC5	1203-002037	IC-DC/DC CONVERTER:1613,SOT-23,5P,63MIL,					
IC6	0401-001116	DIODE-SWITCHING:BAV99DW,75V,150MA,SOT-36					
IC7	0401-001116	DIODE-SWITCHING:BAV99DW,75V,150MA,SOT-36					
IC8	0801-002575	IC-CMOS LOGIC:7SZ175,D FLIP-FLOP,SC70,6P					
L1	2601-001061	TRANS-SMD,PULSE:3.8UH/31UH,0.19OHM/2.6OH					
Q1	0505-001190	FET-SILICON:IRLML6302,N,20V,-0.78A,0.9g					
Q2	0505-001279	FET-SILICON:IRLML2402,N,20V,1.2A,0.25OHM					
R10	2007-000052	R-CHIP:10Kohm,1%,1/10W,TP,1608					
R12	2007-000239	R-CHIP:1.5Kohm,1%,1/10W,TP,1608					
R13	2007-000239	R-CHIP:1.5Kohm,1%,1/10W,TP,1608					
R14	2007-000842	R-CHIP:3Kohm,1%,1/10W,TP,1608					
R16	2007-001433	R-CHIP:12Kohm,1%,1/10W,TP,1608					
R17	2007-000842	R-CHIP:3Kohm,1%,1/10W,TP,1608					
R19	2007-001433	R-CHIP:12Kohm,1%,1/10W,TP,1608					
R20	2007-001153	R-CHIP:750ohm,1%,1/10W,TP,1608					
R21	2007-000857	R-CHIP:4.3Kohm,1%,1/10W,TP,1608					
R22	2007-000999	R-CHIP:510ohm,1%,1/10W,TP,1608					
R23	2007-000070	R-CHIP:0ohm,5%,1/10W,TP,1608					
R24	2007-000500	R-CHIP:2.4Kohm,1%,1/10W,TP,1608					
R27	2007-000640	R-CHIP:270ohm,1%,1/10W,TP,1608					
R28	2007-000726	R-CHIP:300ohm,1%,1/10W,TP,1608					
R29	2007-000040	R-CHIP:150ohm,1%,1/10W,TP,1608					
R30	2007-000999	R-CHIP:510ohm,1%,1/10W,TP,1608					
R31	2007-000219	R-CHIP:1.2Kohm,1%,1/10W,TP,1608					
R32	2007-000070	R-CHIP:0ohm,5%,1/10W,TP,1608					
R33	2007-000763	R-CHIP:330ohm,1%,1/10W,TP,1608					
R34	2007-001153	R-CHIP:750ohm,1%,1/10W,TP,1608					

MEMO

5. Block Diagram

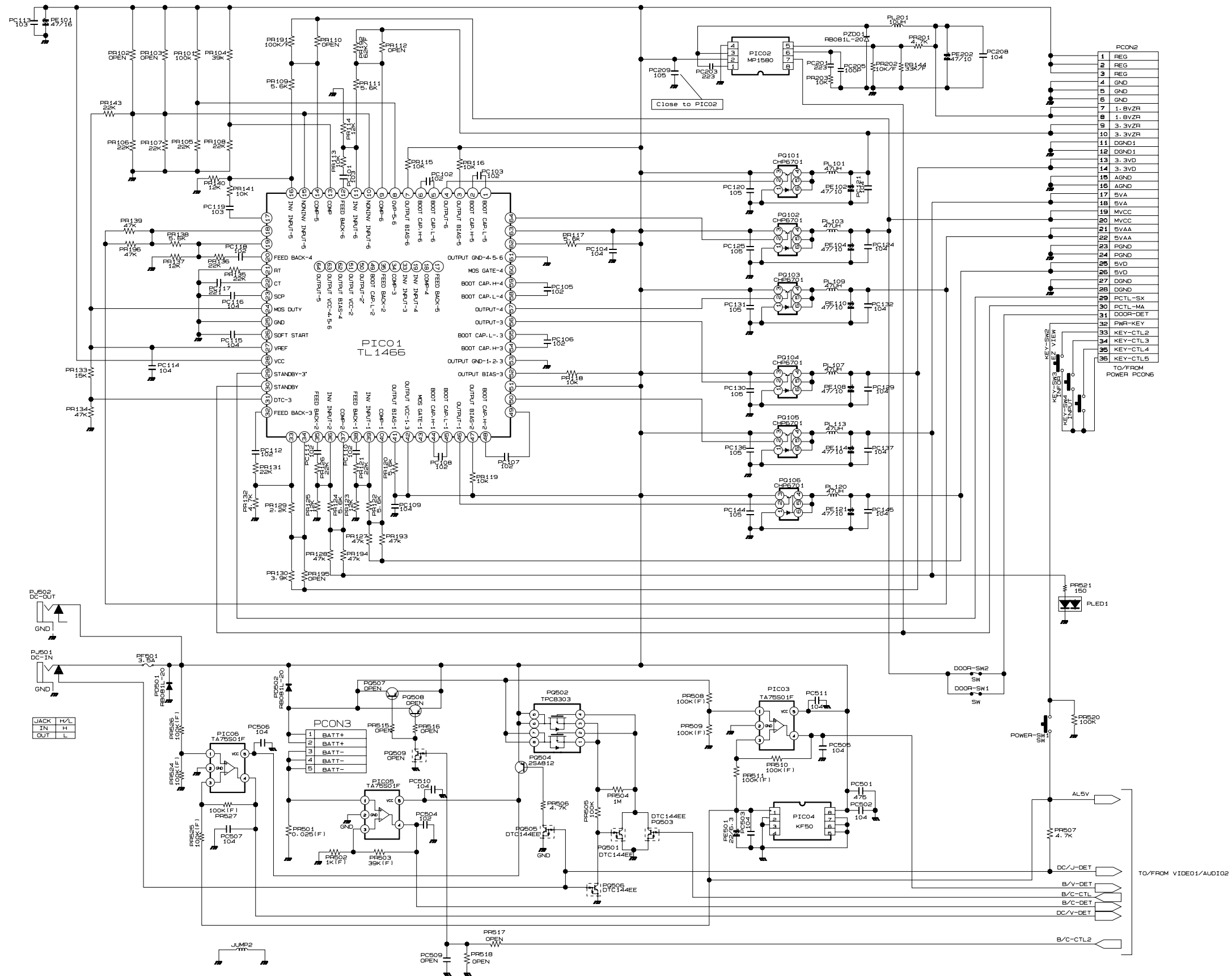


MEMO

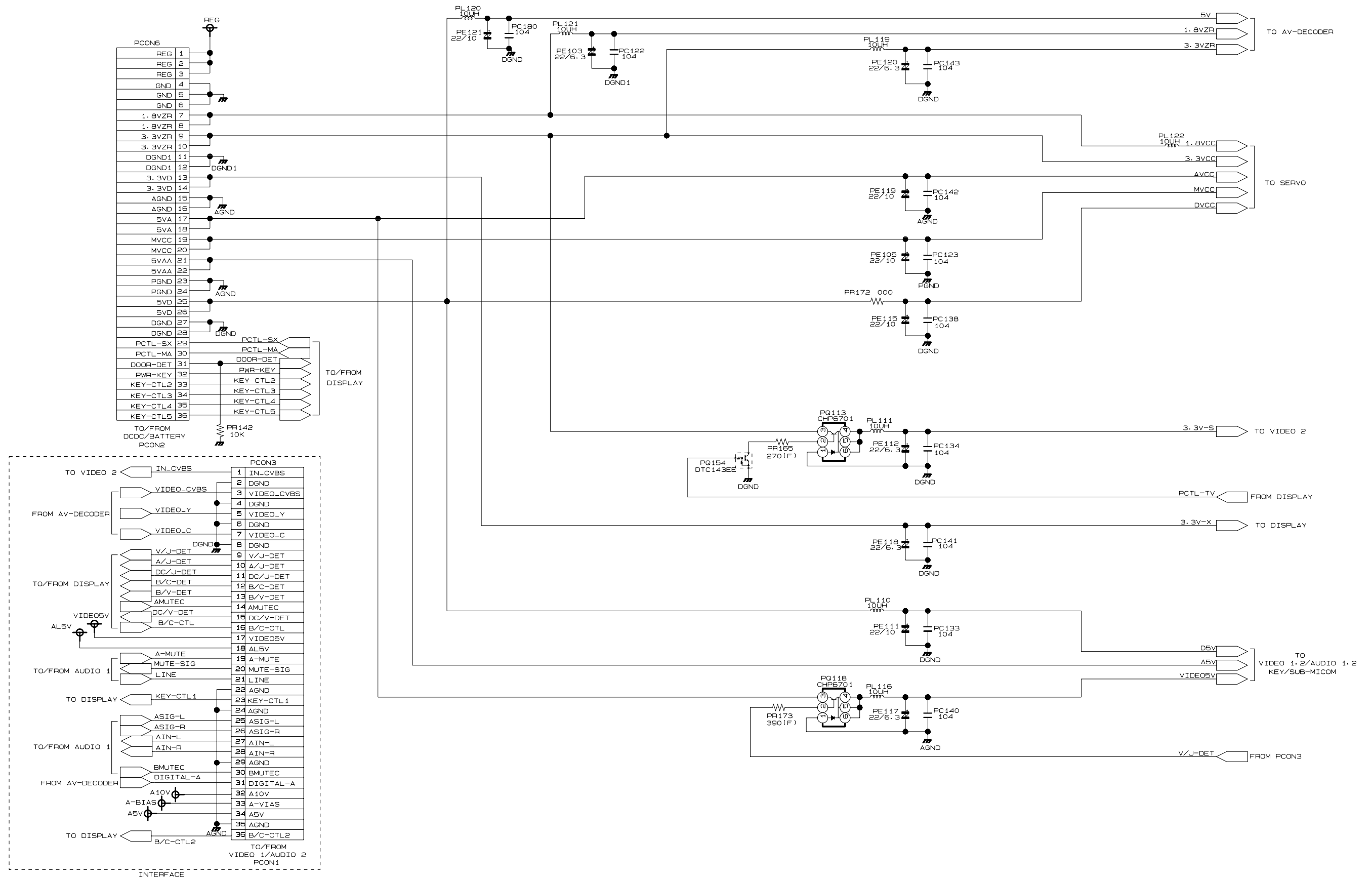
6. Schematic Diagrams

6-1 DCDC/Battery (Main B PCB) - - - - -	6-2
6-2 Power (Main A PCB) - - - - -	6-3
6-3 AV-Decoder (Main A PCB) - - - - -	6-4
6-4 Servo (Main A PCB) - - - - -	6-5
6-5 Video 1/Audio 2 (Main B PCB) - - - - -	6-6
6-6 Video 2 (Main A PCB) - - - - -	6-7
6-7 Audio 1 (Main A PCB) - - - - -	6-8
6-8 Display (Main A PCB) - - - - -	6-9
6-9 Key/Sub-Micom - - - - -	6-10
6-10 LCD - - - - -	6-11
6-11 Inverter - - - - -	6-12

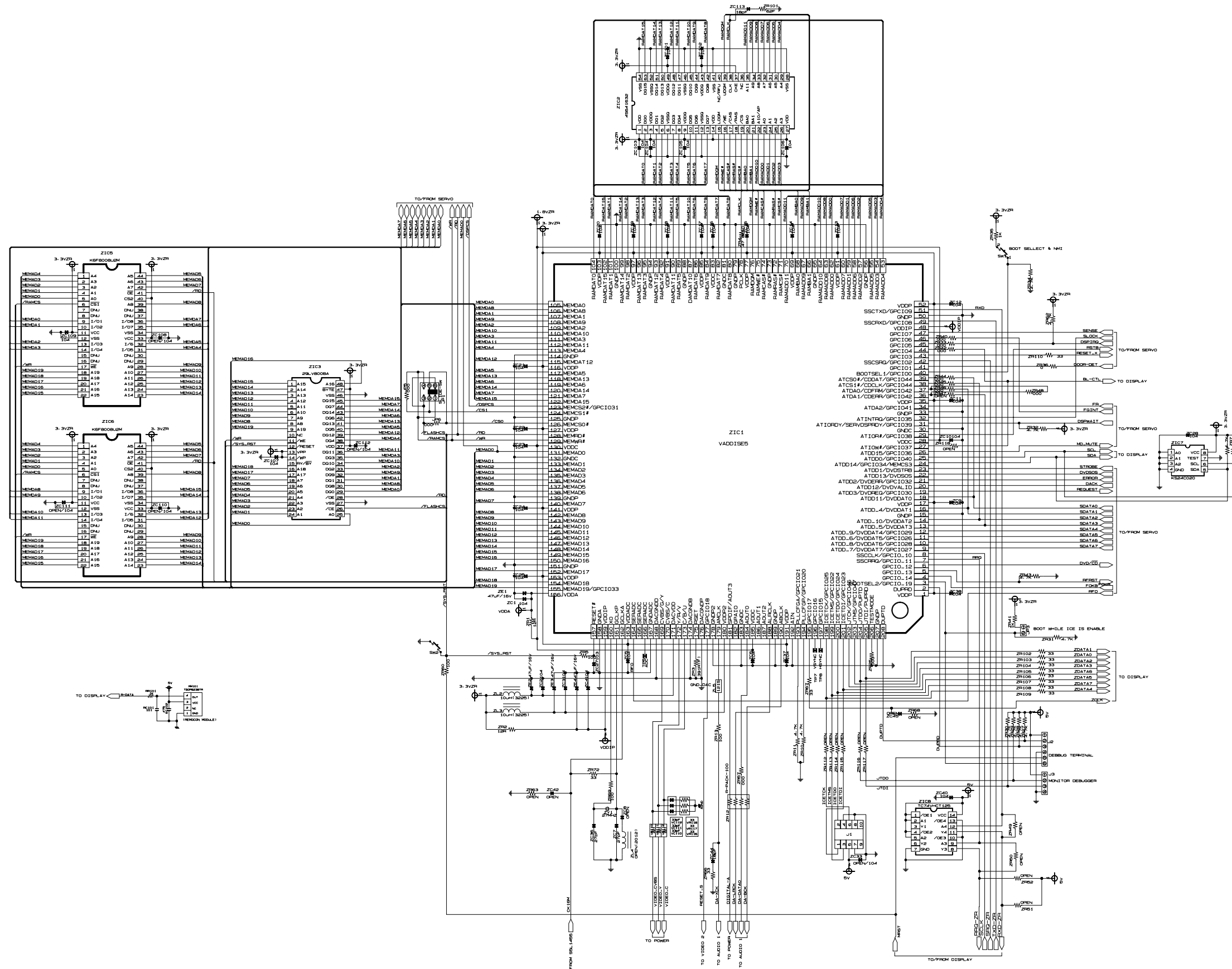
6-1 DCDC/Battery (Main B PCB)



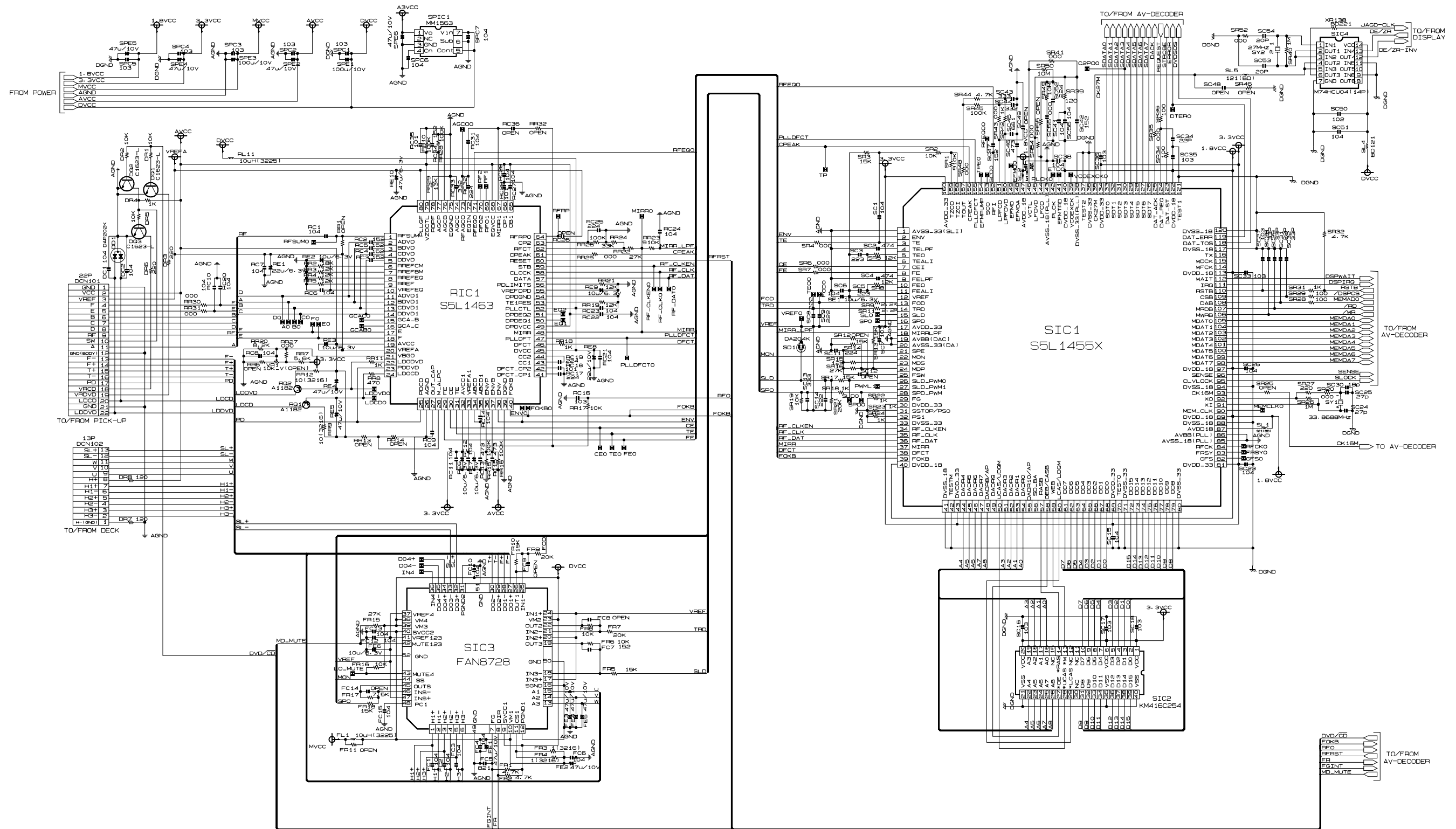
6-2 Power (Main A PCB)



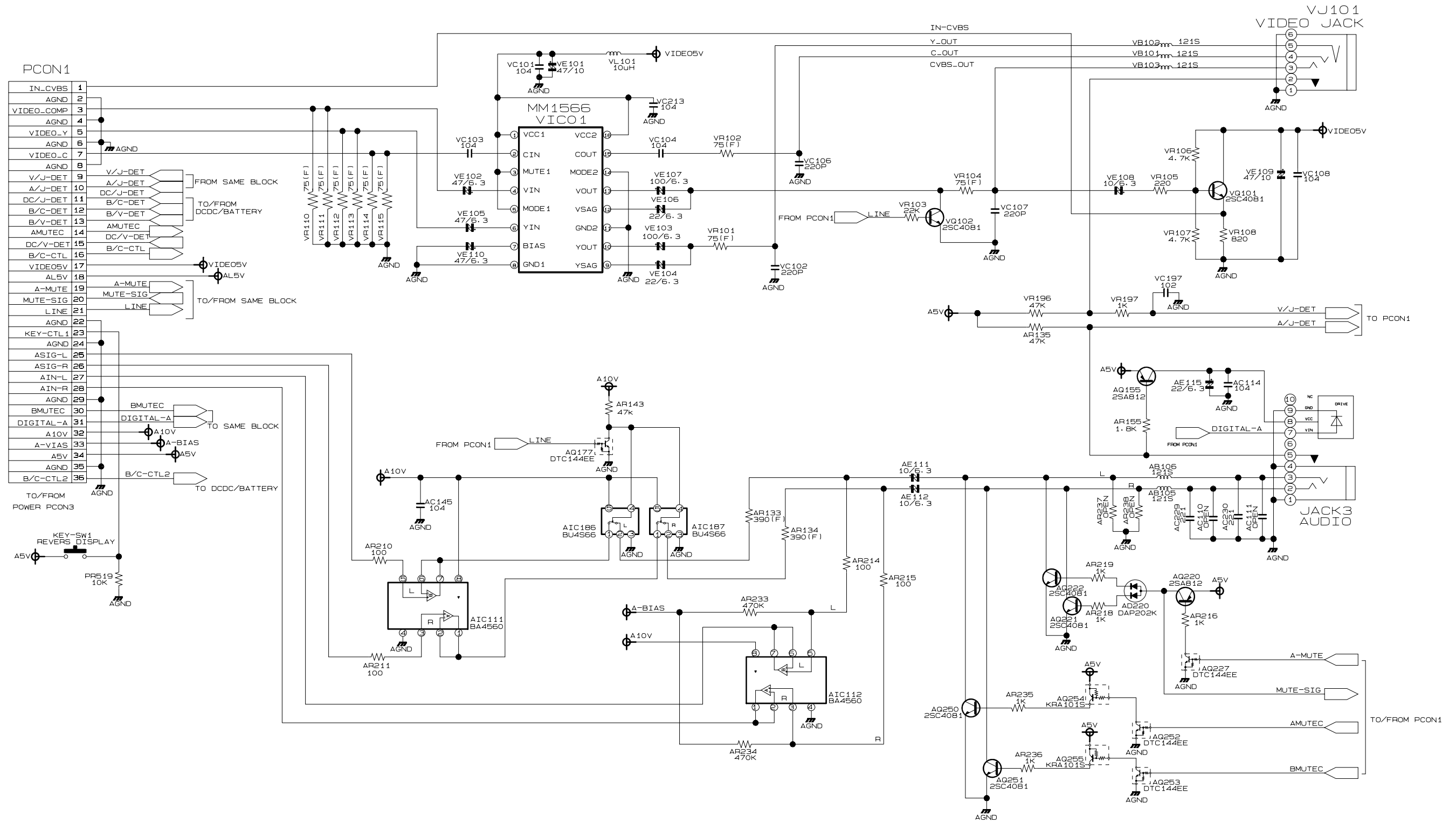
6-3 AV-Decoder (Main A PCB)



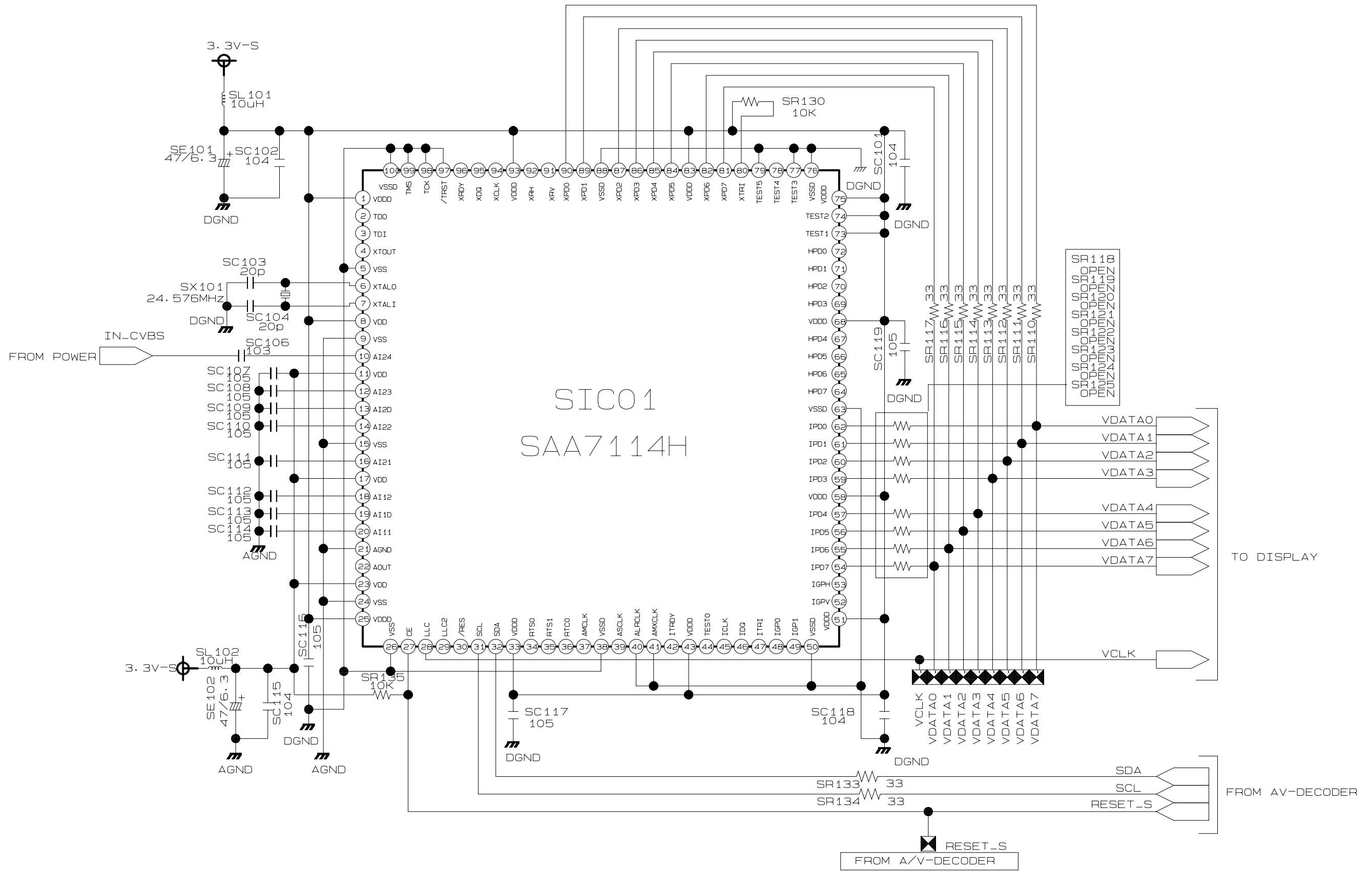
6-4 Servo (Main A PCB)



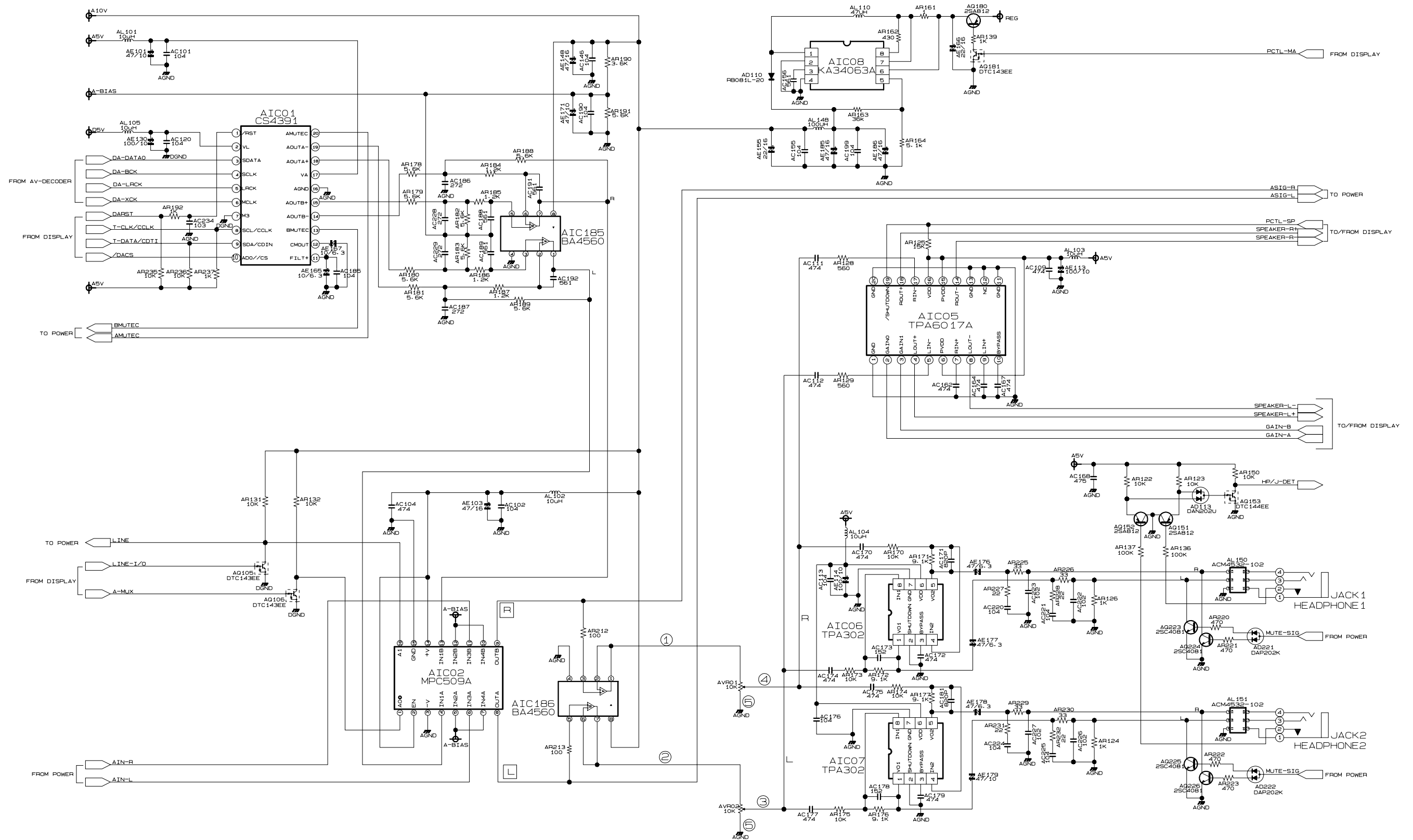
6-5 Video 1/Audio 2 (Main B PCB)



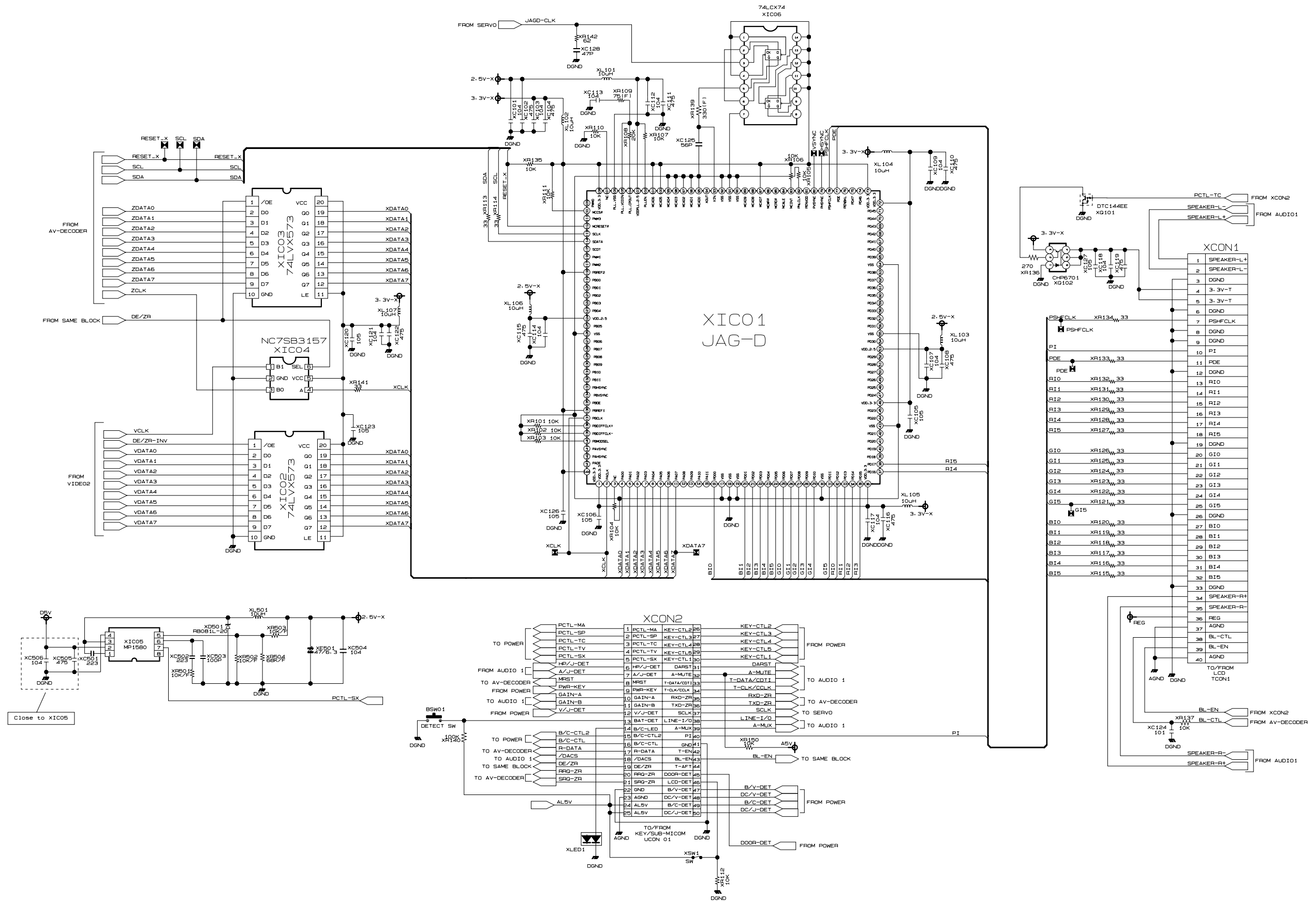
6-6 Video 2 (Main A PCB)



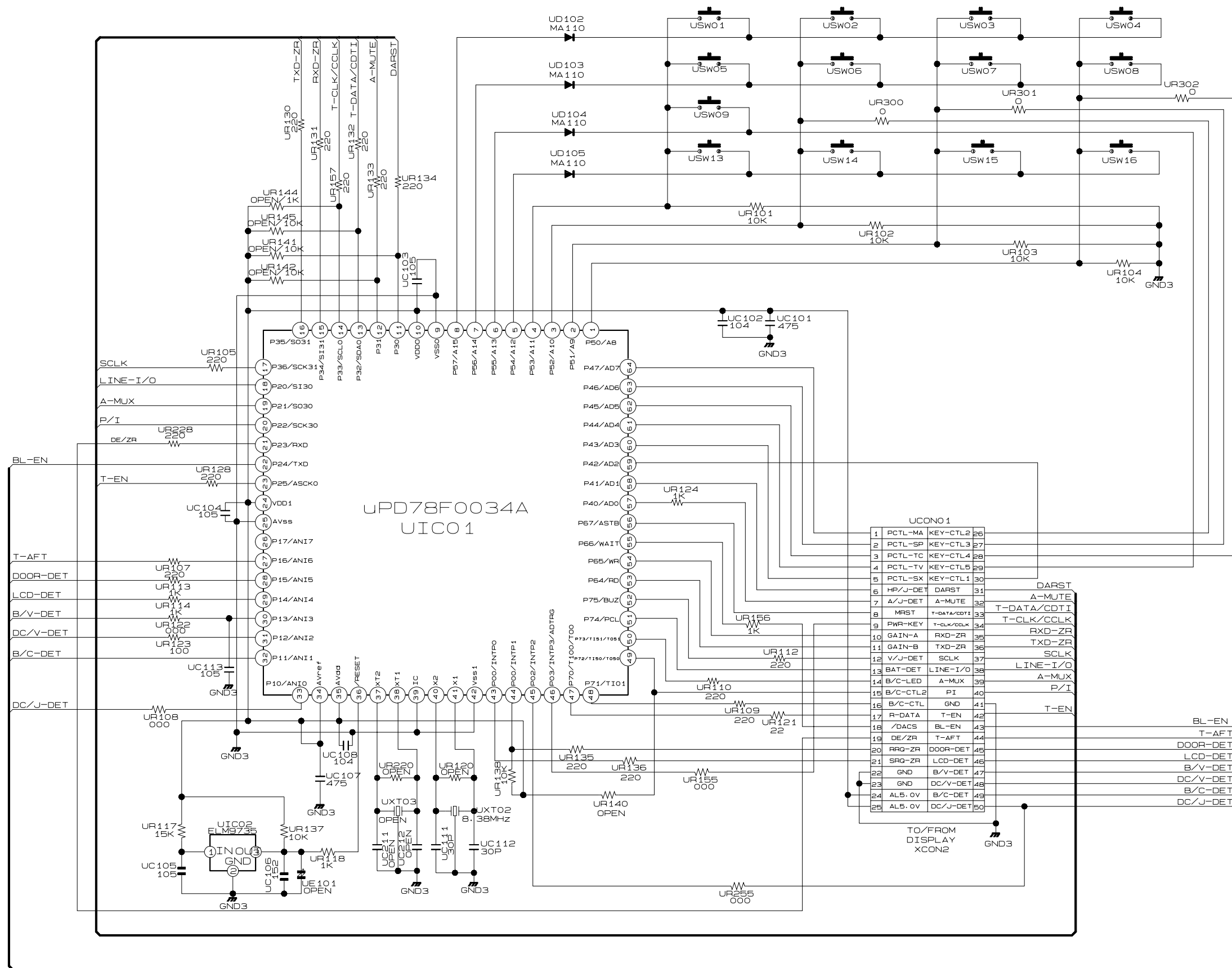
6-7 Audio 1 (Main A PCB)



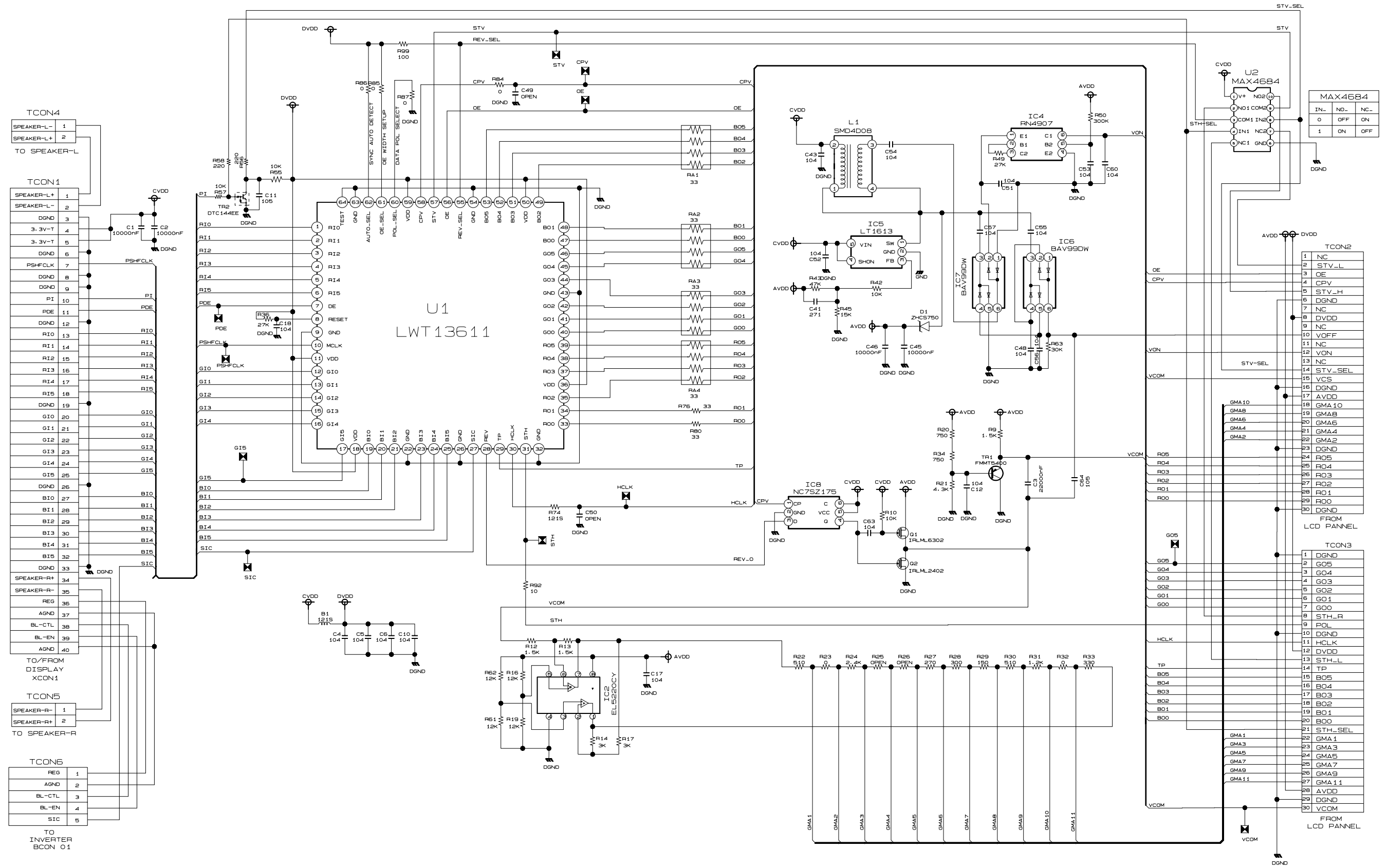
6-8 Display (Main A PCB)



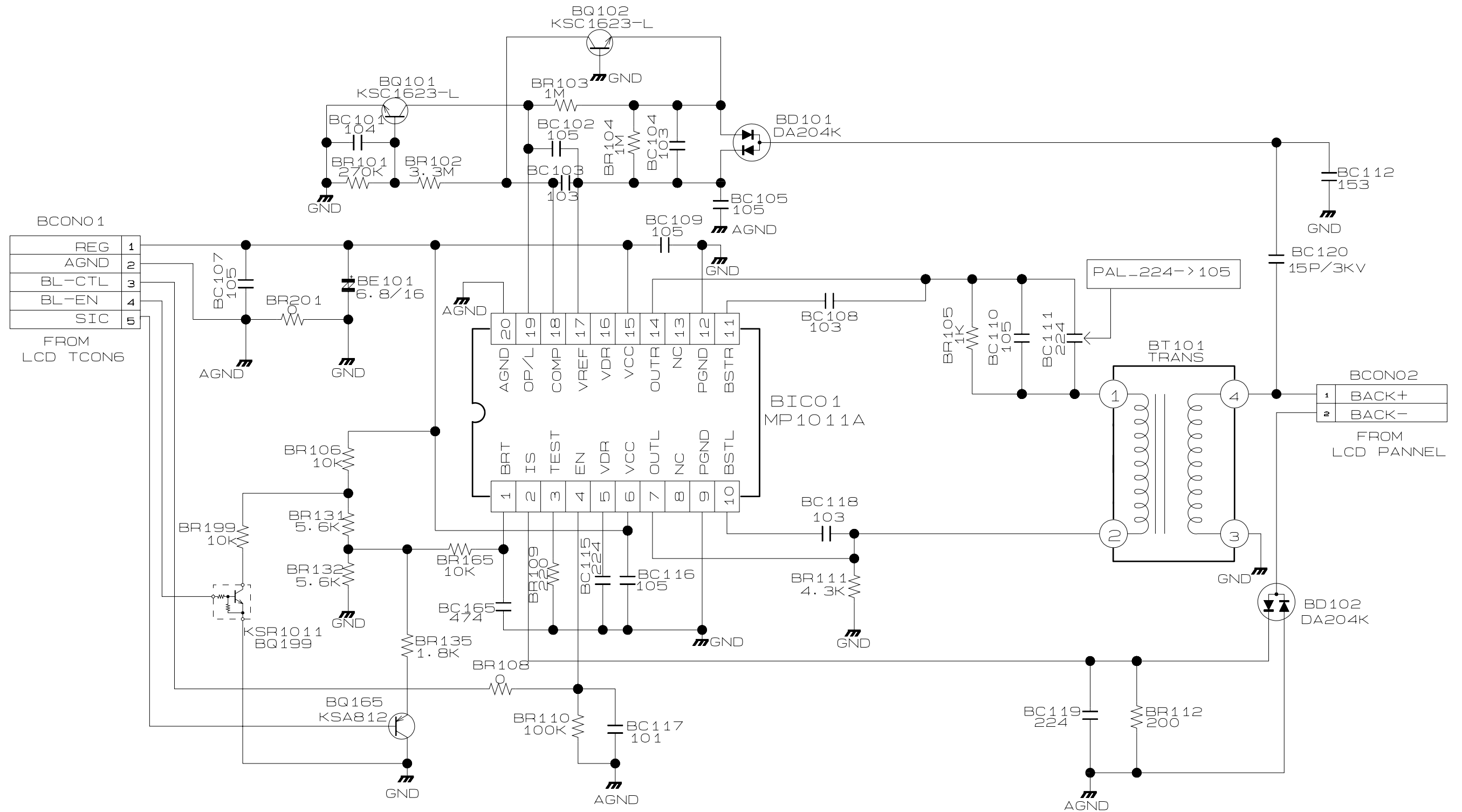
6-9 Key/Sub-Micom



6-10 LCD



6-11 Inverter



Free Manuals Download Website

<http://myh66.com>

<http://usermanuals.us>

<http://www.somanuals.com>

<http://www.4manuals.cc>

<http://www.manual-lib.com>

<http://www.404manual.com>

<http://www.luxmanual.com>

<http://aubethermostatmanual.com>

Golf course search by state

<http://golfingnear.com>

Email search by domain

<http://emailbydomain.com>

Auto manuals search

<http://auto.somanuals.com>

TV manuals search

<http://tv.somanuals.com>