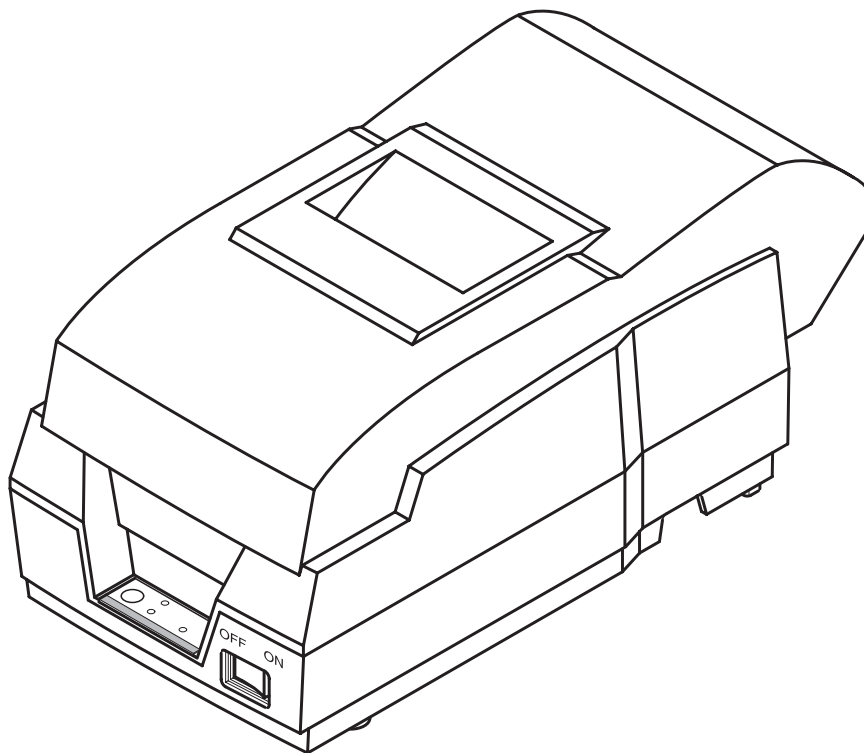


# User's Manual

# SRP-270

---

**Impact Printer**  
**Rev. 1.00**



<http://www.samsungminiprinters.com>

## ■ Safety Precautions

In using the present appliance, please keep the following safety regulations in order to prevent any hazard or material damage.



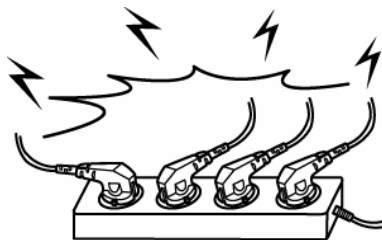
### WARNING

Violating following instructions can cause serious injury or death.

#### Do not plug several products in one multi-outlet.

- This can provoke over-heating and a fire.
- If the plug is wet or dirty, dry or wipe it before usage.
- If the plug does not fit perfectly with the outlet, do not plug in.
- Be sure to use only standardized multi-outlets.

PROHIBITED



#### You must use only the supplied adapter.

- It is dangerous to use other adapters.

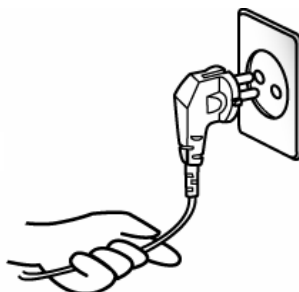
PROHIBITED



#### Do not pull the cable to unplug.

- This can damage the cable, which is the origin of a fire or a breakdown of the printer.

PROHIBITED



#### Keep the plastic bag out of children's reach.

- If not, a child may put the bag on his head.

PROHIBITED



#### Do not plug in or unplug with your hands wet.

- You can be electrocuted.

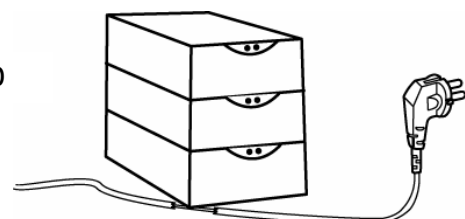
PROHIBITED



#### Do not bend the cable by force or leave it under any heavy object.

- A damaged cable can cause a fire.

PROHIBITED





**CAUTION**

Violating following instructions can cause slight wound or damage the appliance.

**If you observe a strange smoke, odor or noise from the printer, unplug it before taking following measures.**

- Switch off the printer and unplug the set from the mains.
- After the disappearance of the smoke, call your dealer to repair it.

**TO UNPLUG**



**Keep the desiccant out of children's reach.**

- If not, they may eat it.

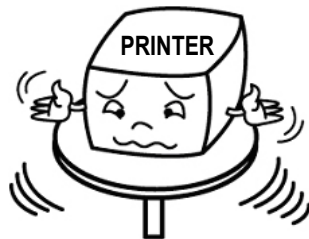
**PROHIBITED**



**Install the printer on the stable surface.**

- If the printer falls down, it can be broken and you can hurt yourself.

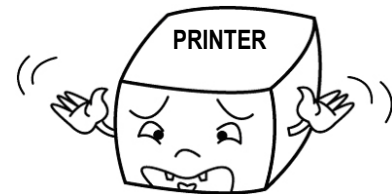
**PROHIBITED**



**Use only approved accessories and do not try to disassemble, repair or remodel it for yourself.**

- Call your dealer when you need these services.
- Do not touch the blade of auto cutter.

**DISASSEMBLING PROHIBITED**



**Do not let water or other foreign objects in the printer.**

- If this happened, switch off and unplug the printer before calling your dealer.

**PROHIBITED**



**Do not use the printer when it is out of order. This can cause a fire or an electrocution.**

- Switch off and unplug the printer before calling your dealer.

**TO UNPLUG**



## ■ Warning - U.S.A

This equipment has been tested and found to comply with the limits for a Class A digital device pursuant to Part 15 of the FCC Rules. These limits are designed to provide reasonable protection against harmful interference when the equipment is operated in a commercial environment. This equipment generates uses, and can radiate radio frequency energy and if not installed and used according to the instruction manual, may cause harmful interference to radio communications. Operation of this equipment in a residential area is likely to cause harmful interference in which case the user will be required to correct the interference at his own expense.

## ■ Notice - Canada

This Apparatus complies with class "A" limits for radio interference as specified in the Canadian department of communications radio interference regulations.

Get appareil est conforme aux normes class "A" d'interference radio tel que specifier par ministre canadien des communications dans les reglements d'interference radio.

## ■ Caution

Some semiconductor devices are easily damaged by static electricity. You should turn the printer "OFF", before you connect or disconnect cables. This will help protect the printer against static electricity. If the printer is damaged by the static electricity, you should turn the printer OFF, and refer to your local service provider.

## ■ Waste Electrical and Electric Equipment (WEEE)



This marking shown on the product or its literature, indicates that it should not be disposed with other household wastes at the end of its working life. To prevent possible harm to the environment or human health from uncontrolled waste disposal, please separate this from other types of wastes and recycle it responsibly to promote the sustainable reuse of material resources. Household users should contact either the retailer where they purchased this product, or their local government office, for details of where and how they can take this item for environmentally safe recycling. Business users should contact their supplier and check the terms and conditions of the purchase contract. This product should not be mixed with other commercial wastes for disposal.

## ■ Label Material

- \* Control Label: PC
- \* Other Labels: PET

## ■ Introduction

The SRP-270 Roll Printers are designed for use with electronic instruments such as system ECR, POS, banking equipment, computer peripheral equipment, etc.

The main features of the printer are as follows:

1. High speed printing : 4.6 lines per seconds.
2. 2 color dot-matrix printer.
3. RS-232C(SRP-270), RS-485 serial interface (SRP-270S),  
Parallel interface (SRP-270P),USB interface(SRP-270U).
4. The data buffer allows the unit to receive print data even during printing.
5. Peripheral units drive circuit enables control of external devices such as cash drawer.

Please be sure to read the instruction in this manual carefully before using your new SRP-270 series.

### ※ NOTE

The power-outlet should be near the equipment and it should be easy accessible.

※ **All specifications are subjected to change without notice.**

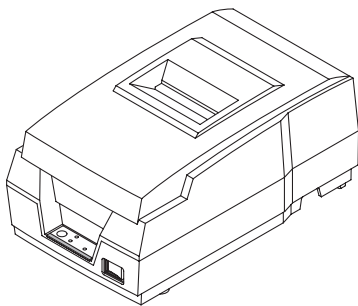
**■ Table of Contents**

|  |           |
|--|-----------|
| <b>1. Setting Up the Printer</b> .....                               | <b>7</b>  |
| 1-1 Unpacking.....   | 7         |
| 1-2 Installing the Printer .....                                     | 7         |
| 1-3 Functions .....  | 8         |
| <b>2. Connecting the cables</b> .....                                | <b>9</b>  |
| 2-1 Connecting the AC adapter to the printer .....                   | 9         |
| 2-2 Connecting Interface Cable and Drawer Cable to the printer ..... | 10        |
| 2-2-1 Serial Interface (RS-232C) .....                               | 11        |
| 2-2-2 Serial Interface (RS-485).....                                 | 12        |
| 2-2-3 Parallel Interface (IEEE1284).....                             | 13        |
| 2-2-4 USB Interface .....  | 14        |
| 2-2-5 Drawer Connector .....   | 14        |
| <b>3. Setting the Dip Switches</b> .....                             | <b>15</b> |
| 3-1 Serial Interface .....   | 16        |
| 3-2 Parallel / USB Interface .....                                   | 17        |
| <b>4. Ribbon Cassette Installation</b> .....                         | <b>18</b> |
| <b>5. Roll Paper Installation</b> .....                              | <b>19</b> |
| <b>6. Removing Jammed Paper</b> .....                                | <b>23</b> |
| <b>7. Self Test</b> .....  | <b>26</b> |
| <b>8. Hexadecimal Dumping</b> .....                                  | <b>27</b> |
| <b>9. Specification</b> .....  | <b>28</b> |

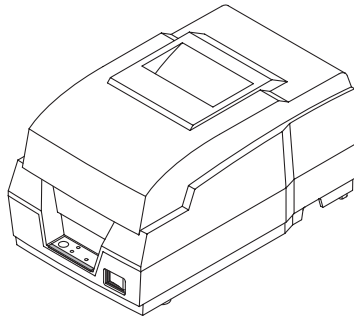
## 1. Setting Up the Printer

### 1-1 Unpacking

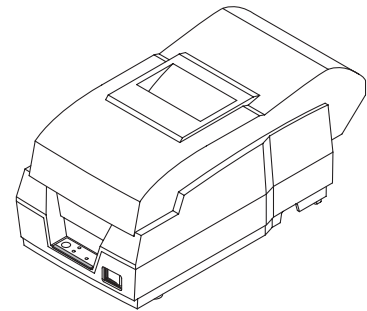
After unpacking the unit, check that all the necessary accessories are included in the package.



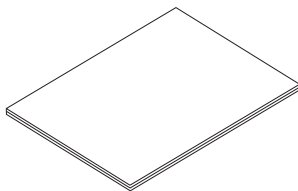
SRP-270A



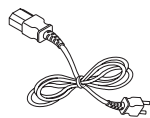
SRP-270C



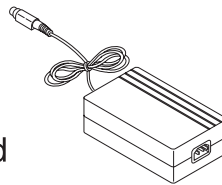
SRP-270D



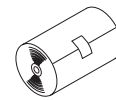
Manual



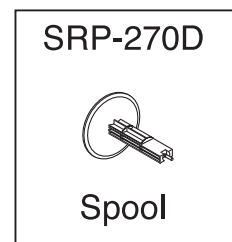
Power Cord



AC Adapter



Roll paper



Spool



CD

### 1-2 Installing the Printer

1-2-1 Avoid locations in direct sunlight or subject to excessive heat.

1-2-2 Avoid using or storing the printer in places subject to excessive moisture.

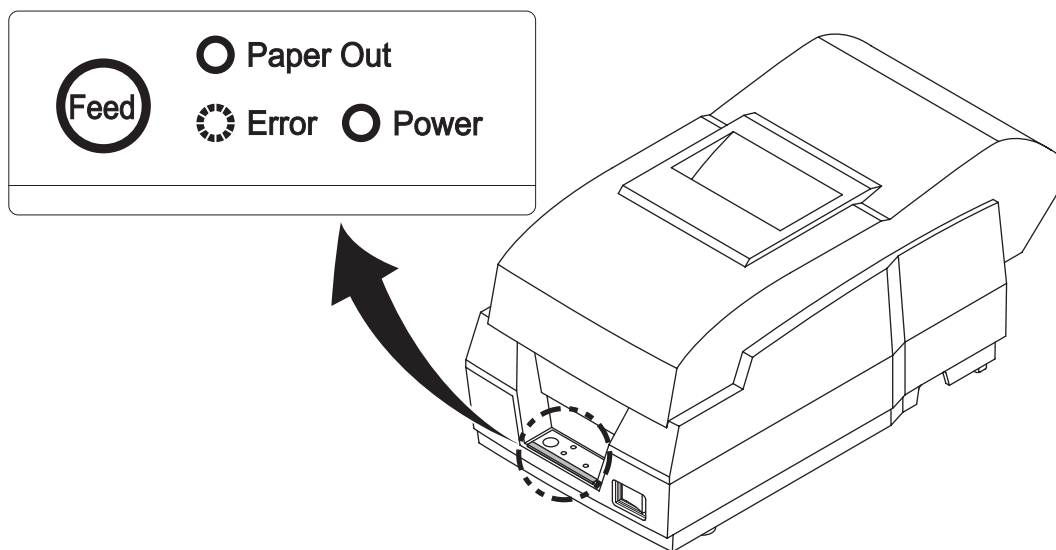
1-2-3 Do not use or store the printer in a dusty or dirty area. Avoid places subject to intense vibration or shock.

1-2-4 Choose a stable and flat place for proper use of the printer.

1-2-5 Make sure that there is enough space around the printer so that it can be used easily.

**1-3 Functions**

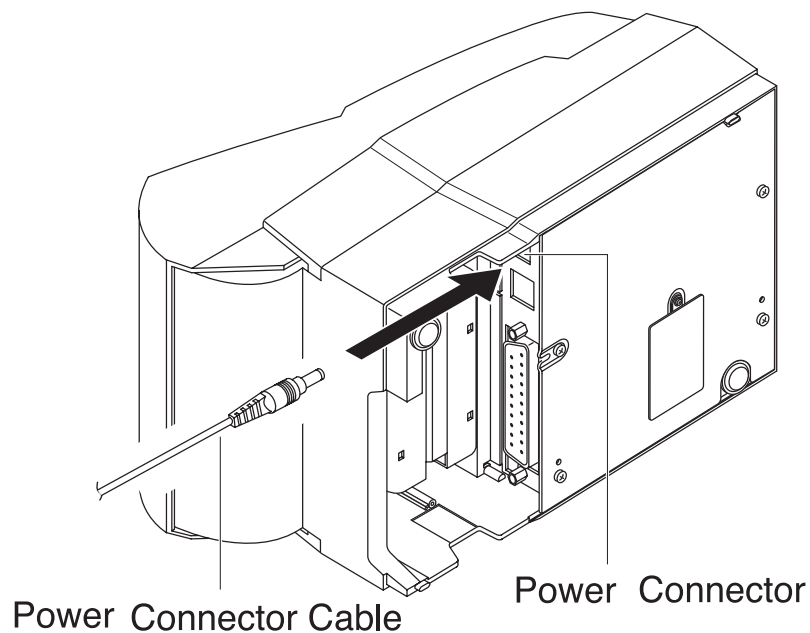
- The power switch is used to turn the printer on and off.
- The FEED button is used to feed roll paper.
- The POWER light (green) is on when the printer is turned on and is off when the printer is turned off.
- The ERROR light (red) is on when the printer is in error state.
- The Paper Out light (red) is on when the printer is in paper end.





## **2. Connecting the cables**

### **2-1 Connecting the AC adapter to the printer**



2-1-1 Make sure that the printer is turned off.

2-1-2 CHECK the label on the AC adapter to make sure the voltage required by the AC adapter matches that of your electrical outlet.

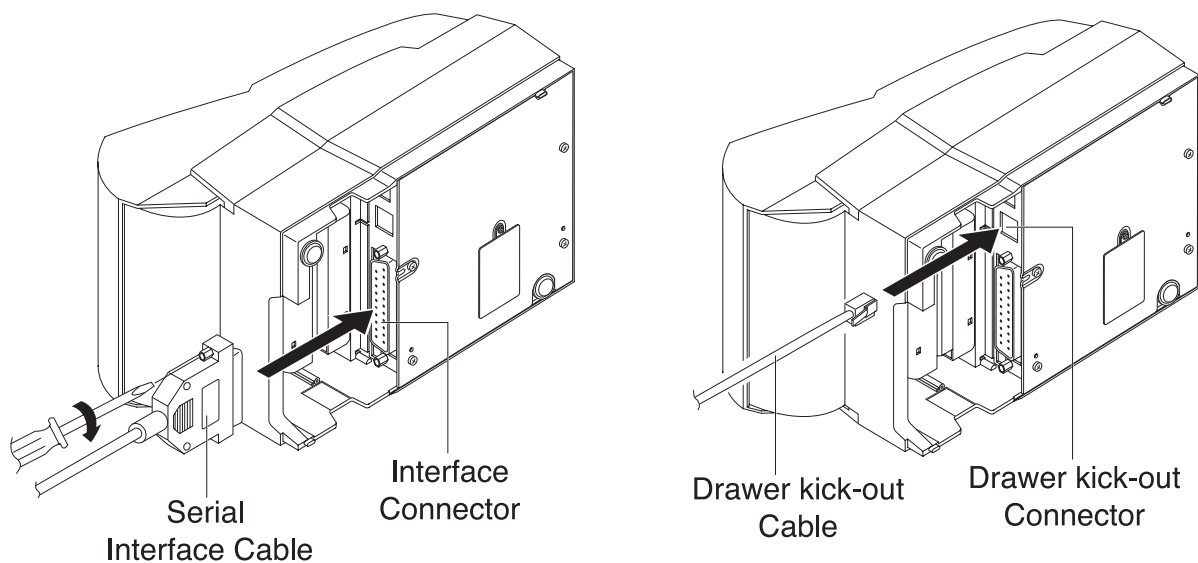
2-1-3 Plug the DC cord connector into the printer's power connector.

2-1-4 Plug the AC adapter power cord into the wall outlet.

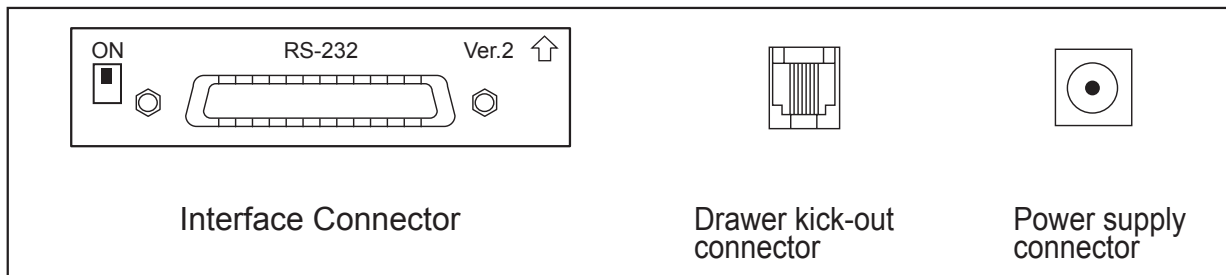
## 2-2 Connecting Interface Cable and Drawer Cable to the printer

Connect the Host Computer(POS/ECR) to the printer using an interface cable that matches the specifications of the printer and the Host computer(POS/ECR). Be sure to use a drawer that matches the printer's specification.

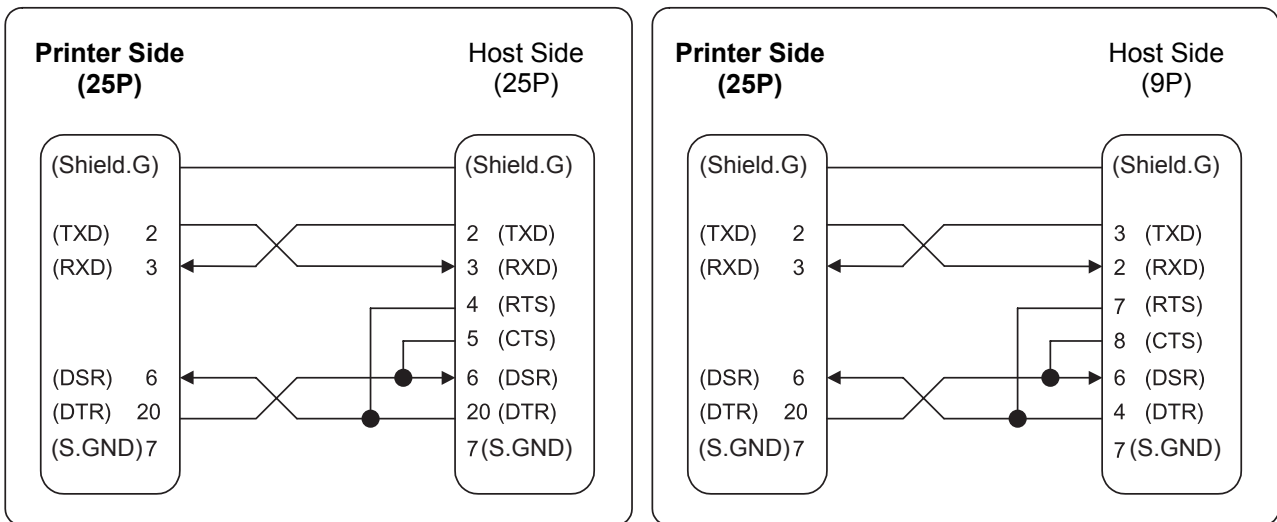
- Turn off both the printer and the Host computer(POS/ECR).
- Plug the serial interface cable connector into the printer's interface connector, then tighten the screws on both sides of the connector. In case of the parallel interface, squeeze the wire clips on the printer together until they lock in place on both sides of the connector.
- Plug the drawer cable into the drawer kick-out connector on the back of the printer next to the interface connector. Do not connect a telephone line to the drawer kick-out connector; otherwise the printer and the telephone line may be damaged.
- Turn on the Printer and Host computer(POS/ECR).



2-2-1 Serial Interface (RS-232C)

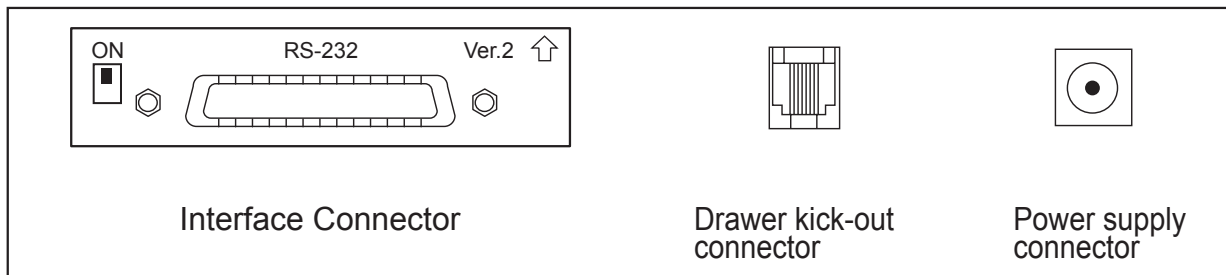


※ When the Dip Switch is “ON” on the Serial Interface Board, DTR and RTS are connected each other.

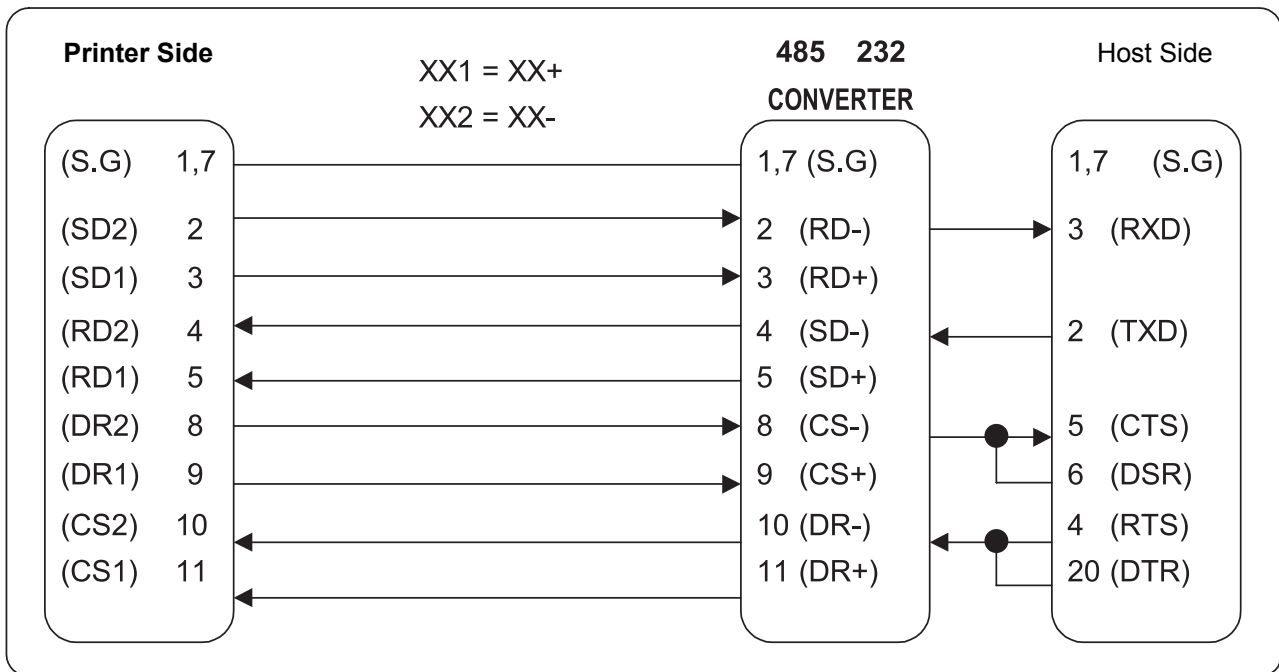


| Pin No. | Signal name | Direction | Function            |
|---------|-------------|-----------|---------------------|
| 1       | FG          | -         | Frame Ground        |
| 2       | TxD         | Output    | Transmit Data       |
| 3       | RxD         | Input     | Receive Data        |
| 4       | RTS         | Output    | Ready To Send       |
| 5       | CTS         | Input     | Clear To Send       |
| 6       | DSR         | Input     | Data Set Ready      |
| 7       | SG          | -         | Signal Ground       |
| 20      | DTR         | Output    | Data Terminal Ready |

2-2-2 Serial Interface (RS-485)

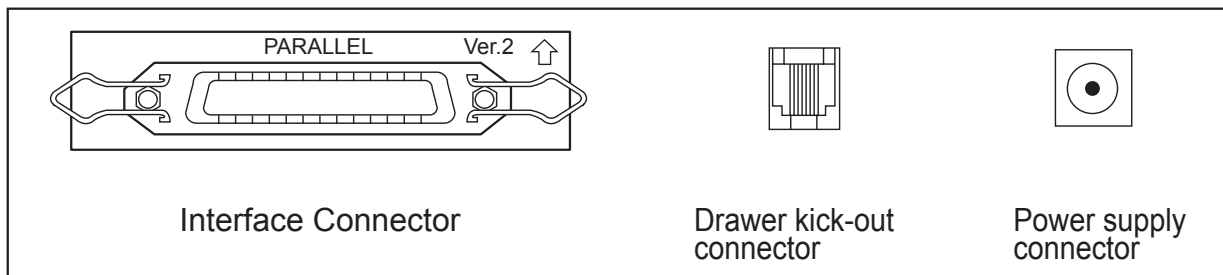


※ When the Dip Switch is “ON” on the Serial Interface Board, DTR and RTS are connected each other.



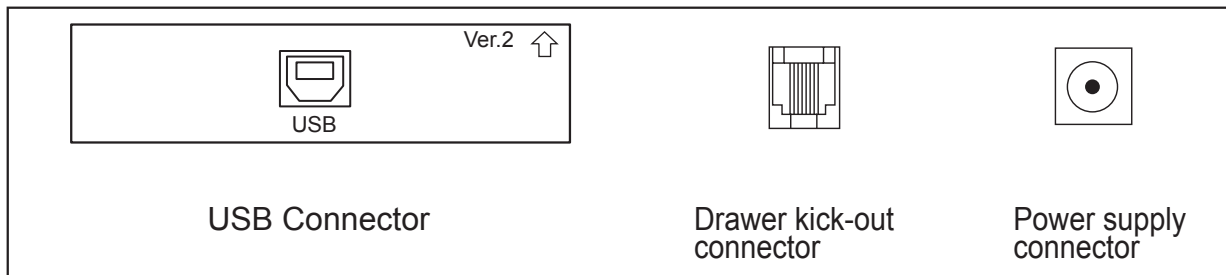
| Pin No. | Signal Name | Direction | Function            |
|---------|-------------|-----------|---------------------|
| 1       | FGND        | -         | Frame Ground        |
| 2       | SD2         | Output    | Send Data           |
| 3       | SD1         | Output    |                     |
| 4       | RD2         | Input     | Receive Data        |
| 5       | RD1         | Input     |                     |
| 7       | SGND        | -         | Signal Ground       |
| 8       | DR2         | Output    | Same as DTR(RS-232) |
| 9       | DR1         |           |                     |
| 10      | CS2         | Input     | Same as DSR(RS-232) |
| 11      | CS1         |           |                     |

2-2-3 Parallel Interface (IEEE1284)



| Pin No. | Source         | Compatibility Mode | Nibble Mode        | Byte Mode    |
|---------|----------------|--------------------|--------------------|--------------|
| 1       | Host           | nStrobe            | HostClk            | HostClk      |
| 2       | Host / Printer | Data 0 (LSB)       | -                  | Data 0 (LSB) |
| 3       | Host / Printer | Data 1             | -                  | Data 1       |
| 4       | Host / Printer | Data 2             | -                  | Data 2       |
| 5       | Host / Printer | Data 3             | -                  | Data 3       |
| 6       | Host / Printer | Data 4             | -                  | Data 4       |
| 7       | Host / Printer | Data 5             | -                  | Data 5       |
| 8       | Host / Printer | Data 6             | -                  | Data 6       |
| 9       | Host / Printer | Data 7 (MSB)       | -                  | Data 7 (MSB) |
| 10      | Printer        | nAck               | PtrClk             | PtrClk       |
| 11      | Printer        | Busy               | PtrBusy /Data3,7   | PtrBusy      |
| 12      | Printer        | Perror             | AckDataReq/Data2,6 | AckDataReq   |
| 13      | Printer        | Select             | Xflag/Data1,5      | Xflag        |
| 14      | Host           | nAutoFd            | HostBusy           | HostBusy     |
| 15      | -              | NC                 | NC                 | NC           |
| 16      | -              | GND                | GND                | GND          |
| 17      | -              | FG                 | FG                 | FG           |
| 18      | Printer        | Logic-H            | Logic-H            | Logic-H      |
| 19~30   | -              | GND                | GND                | GND          |
| 31      | Host           | nInit              | nInit              | nInit        |
| 32      | Printer        | nFault             | nDataAvail/Data0,4 | nDataAvail   |
| 33      | -              | GND                | ND                 | ND           |
| 34      | Printer        | DK_Status          | ND                 | ND           |
| 35      | Printer        | +5V                | ND                 | ND           |
| 36      | Host           | nSelectIn          | 1284-Active        | 1284-Active  |

2-2-4 USB Interface



| Pin No. | Signal Name | Assignment (Color) | Function      |
|---------|-------------|--------------------|---------------|
| Shell   | Shield      | Drain Wire         | Frame Ground  |
| 1       | VBUS        | Red                | Host Power    |
| 2       | D-          | White              | Data Line(D-) |
| 3       | D+          | Green              | Data Line(D+) |
| 4       | GND         | Black              | Signal Ground |

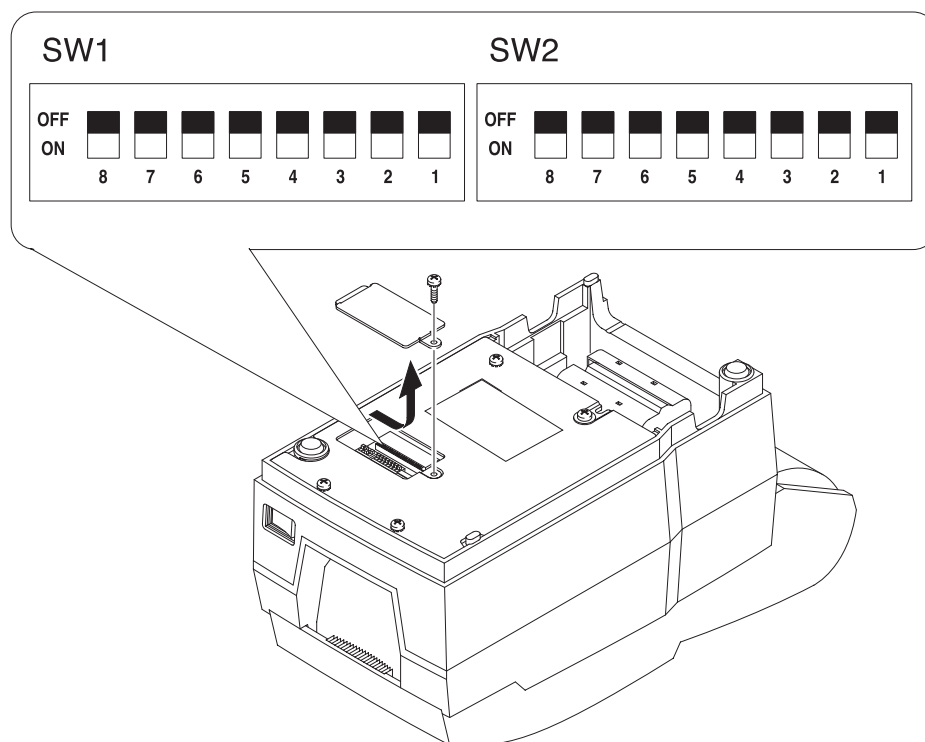
2-2-5 Drawer Connector

| Pin No. | Signal name                    | Direction |
|---------|--------------------------------|-----------|
| 1       | Frame ground                   | -         |
| 2       | Drawer kick-out drive signal 1 | Output    |
| 3       | Drawer open/close signal       | Input     |
| 4       | +24V                           | -         |
| 5       | Drawer kick-out drive signal 2 | Output    |
| 6       | Signal ground                  | -         |

### 3. Setting the Dip Switches

The DIP switches are located on the bottom of the printer. The DIP switches are used to set the printer to perform various functions. Follow these steps when changing DIP switch settings.

- Turn the printer power switch off.
- Turn the printer over and remove the dip switch cover.
- Move the DIP switches using tweezers or another narrow-ended tool. Switches are on when up and off when down in the figure below.
- The new setting takes effect when you turn on the printer.



**※ NOTE**

Always change DIP switch settings when the printer is turned off. Changes made with the power on have no effect until you turn the printer off and then on again.

**3-1 Serial Interface**

| SW | FUNCTION                      | ON                           | OFF     | DEFAULT |
|----|-------------------------------|------------------------------|---------|---------|
| 1  | Emulation Selection           | Refer to the following table |         | OFF     |
| 2  |                               |                              |         | OFF     |
| 3  | Auto-Cutter                   | Enable                       | Disable | OFF     |
| 4  | FONT SPACE                    | 2                            | 3       | OFF     |
| 5  | Function for Service Engineer |                              |         | -       |
| 6  |                               |                              |         | -       |
| 7  |                               |                              |         | OFF     |
| 8  | Buffer size                   | 40Bytes                      | 4KBytes | OFF     |

DIP switch Setting 1 Function

| SW – 1 | SW – 2 | MODE    |
|--------|--------|---------|
| OFF    | OFF    | EPSON   |
| OFF    | ON     | Citizen |
| ON     | OFF    | Star    |

Emulation Selection

| SW | FUNCTION            | ON                           | OFF             | DEFAULT |
|----|---------------------|------------------------------|-----------------|---------|
| 1  | Auto Line Feed      | Always Enabled               | Always Disabled | OFF     |
| 2  | Hexadecimal dump    | YES                          | NO              | OFF     |
| 3  | Hand Shaking        | XON/OFF                      | DTR/DSR         | OFF     |
| 4  | Word length         | 7 bits                       | 8 bits          | OFF     |
| 5  | Parity check        | Enable                       | Disable         | OFF     |
| 6  | Parity selection    | EVEN                         | ODD             | OFF     |
| 7  | Baud Rate selection | Refer to the following table |                 | OFF     |
| 8  |                     |                              |                 | OFF     |

DIP switch Setting 2 Function

| Transmission speed | SW – 7 | SW – 8 |
|--------------------|--------|--------|
| 19200 BAUD         | ON     | ON     |
| 2400 baud          | OFF    | ON     |
| 4800 baud          | ON     | OFF    |
| 9600 baud          | OFF    | OFF    |

Baud Rate selection

**※ NOTE**

When the word length is 7 bits, you can not parity check OFF status.



**3-2 Parallel / USB Interface**

| SW | FUNCTION                      | ON                           | OFF     | DEFAULT |
|----|-------------------------------|------------------------------|---------|---------|
| 1  | Emulation Selection           | Refer to the following table |         | OFF     |
| 2  |                               |                              |         | OFF     |
| 3  | Auto-Cutter                   | Enable                       | Disable | OFF     |
| 4  | FONT SPACE                    | 2                            | 3       | OFF     |
| 5  | Function for Service Engineer |                              |         | -       |
| 6  |                               |                              |         | -       |
| 7  |                               |                              |         | OFF     |
| 8  | Buffer size                   | 40Bytes                      | 4KBytes | OFF     |

DIP switch Setting 1 Function

| SW – 1 | SW – 2 | MODE    |
|--------|--------|---------|
| OFF    | OFF    | EPSON   |
| OFF    | ON     | Citizen |
| ON     | OFF    | Star    |

Emulation Selection

| SW | FUNCTION       | ON             | OFF             | DEFAULT |
|----|----------------|----------------|-----------------|---------|
| 1  | Auto Line Feed | Always Enabled | Always Disabled | OFF     |
| 2  | Hex Dump       | YES            | NO              | OFF     |
| 3  | Reserved       | -              | -               | OFF     |
| 4  | Reserved       | -              | -               | OFF     |
| 5  | Reserved       | -              | -               | OFF     |
| 6  | Reserved       | -              | -               | OFF     |
| 7  | Reserved       | -              | -               | OFF     |
| 8  | Reserved       | -              | -               | OFF     |

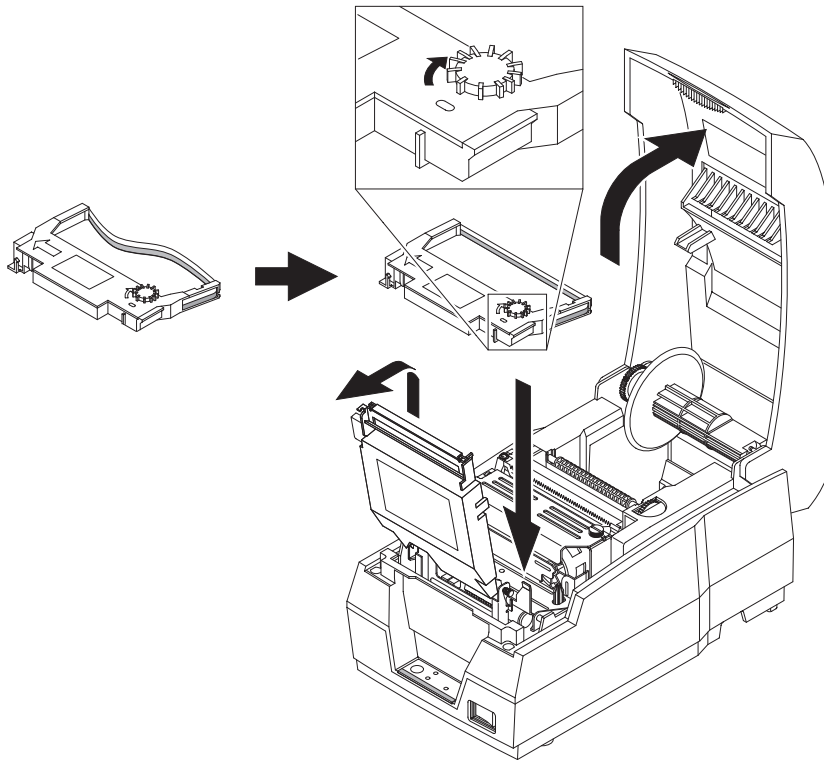
DIP switch Setting 2 Function

## 4. Ribbon Cassette Installation

4-1 Before inserting the ribbon cassette, turn the knob clockwise to prevent twisting the ribbon.

4-2 Insert the ribbon cassette as shown below and pay particular attention to the placement of the ribbon behind the Print Head.

4-3 During inserting the ribbon cassette, turn the knob clockwise again to make sure the ribbon moves freely in the cassette.



### ※ NOTE

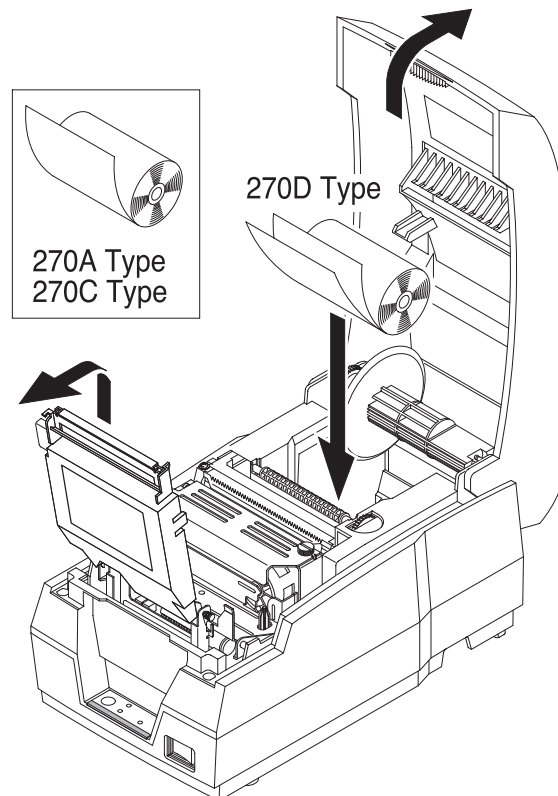
Malfunctions and other problems may arise if other than specified ribbon cassettes are used in the printer. The Warranty may be voided if other than specified ribbon cassettes are used. Contact your dealer or place of purchase for more information about proper ribbon cassettes.

## 5. Roll Paper Installation

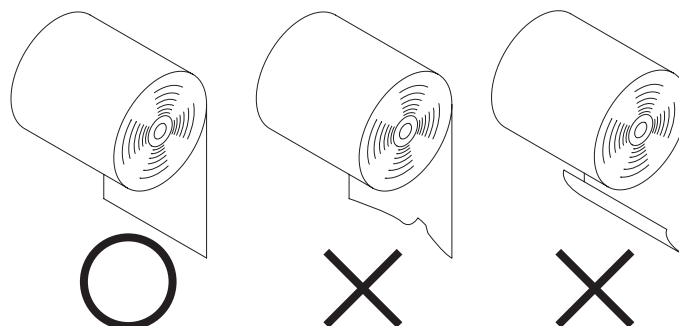
Be sure to use roll paper that matches the printer's specifications.

5-1 When possible, make sure that the printer has no un-printed data.  
This data may be lost.

5-2 Open the printer cover and remove the used paper roll core if there is one.  
- SRP-270 A/C : 1Ply Paper  
- SRP-270 D : 2Ply Paper

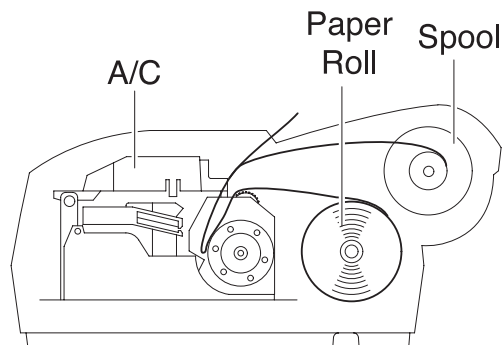
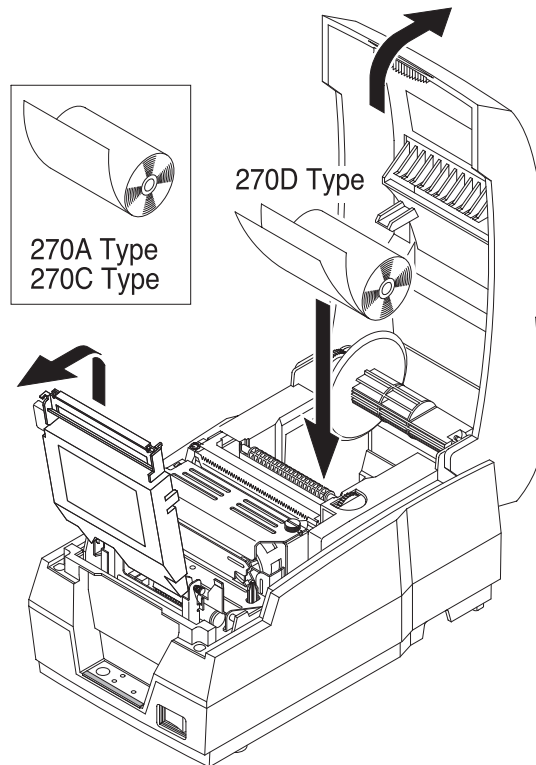


5-3 To use a new roll paper, unroll the paper and tear off the end of the paper correctly.

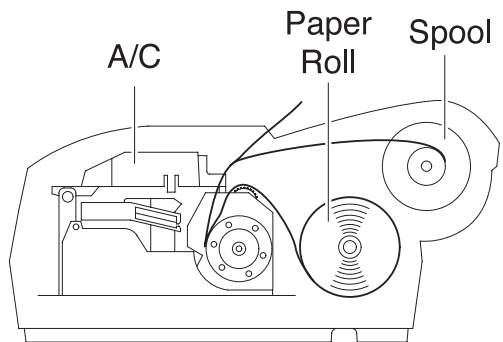


5-4 Put the roll paper on the paper holder and insert the paper in the printer.

- SRP-270 A/C : 1Ply Paper
- SRP-270 D : 2Ply Paper

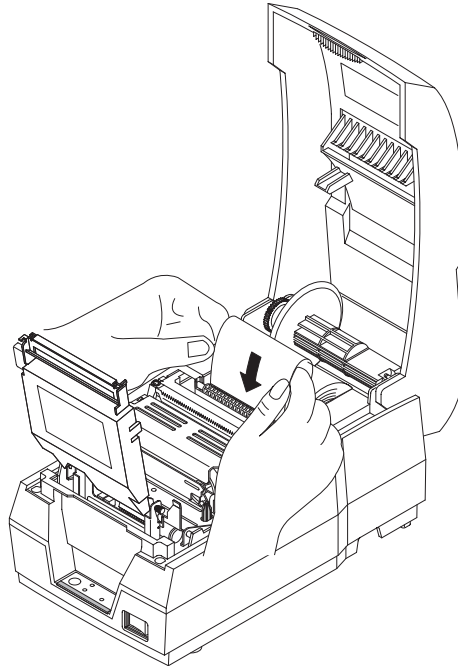


**Incorrect**

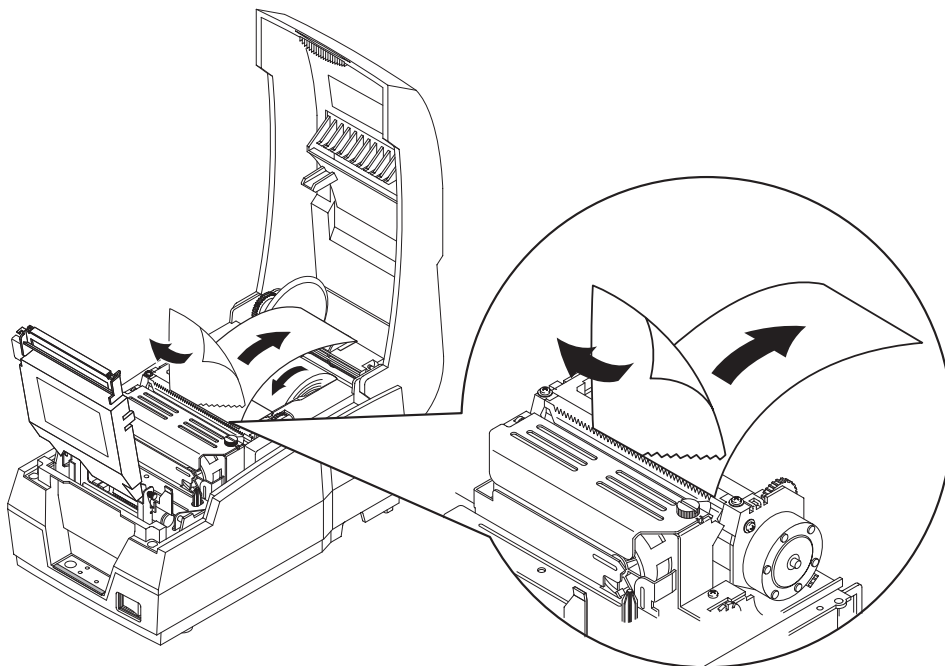


**Correct**

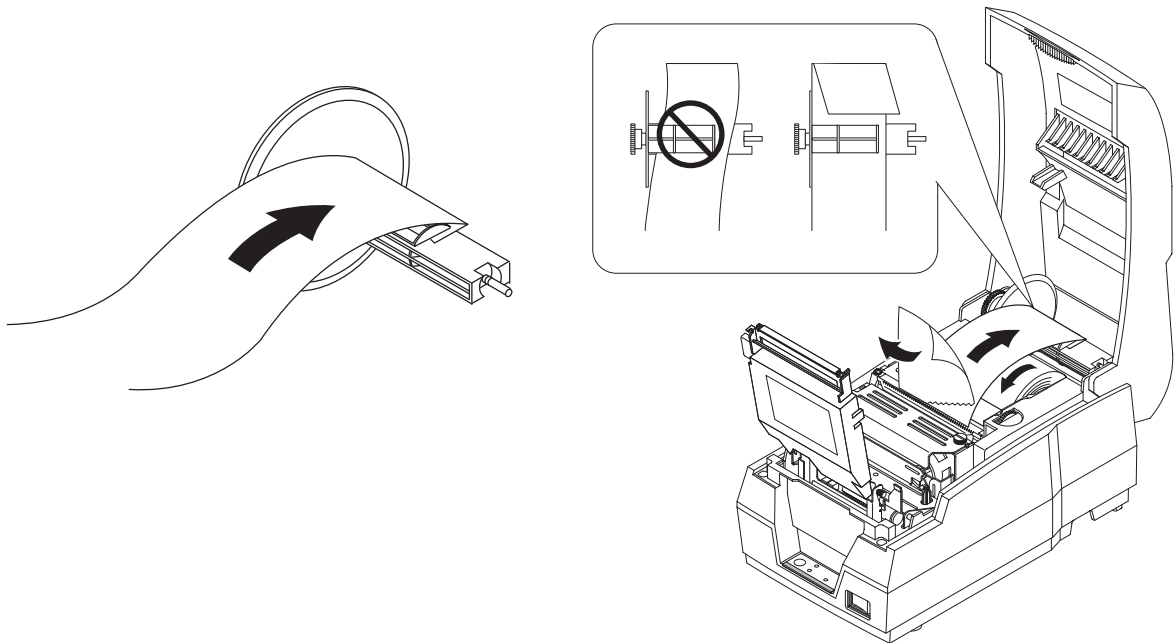
5-5 Insert the end of the roll paper straight into the paper inlet. The printer feeds the paper automatically and then the printer will cut the paper automatically(SRP-270C type series and SRP-270D type series). Refer to the attached label inside the cover.



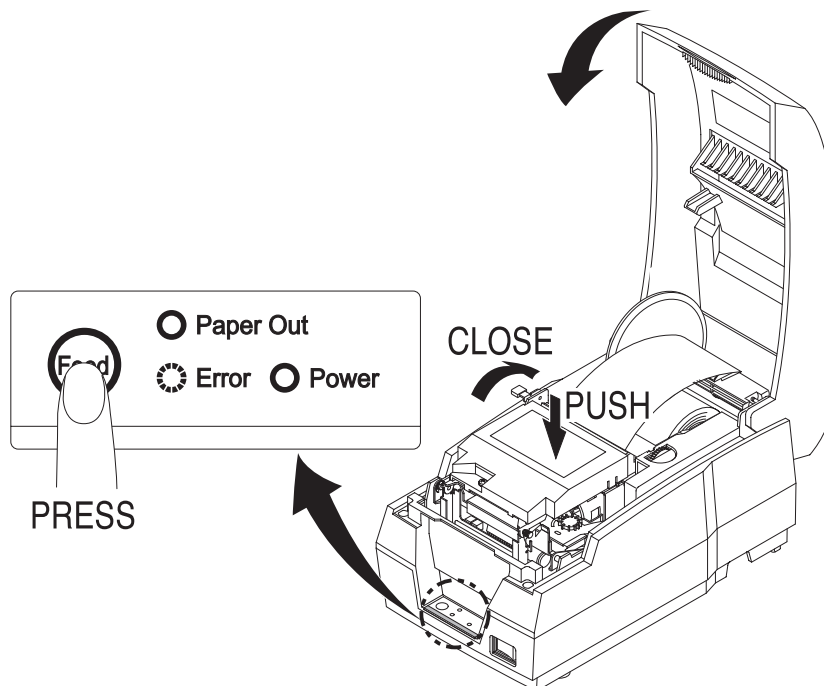
5-6 Tear off the paper as shown, if necessary.



5-7 Insert the end of the roll paper into the groove on the Roller-Pulley, warp the paper around it two or three times and load the Roller-Pulley onto the groove of the Case.



5-8 Push the auto-cutter cover as shown below and close the printer cover.



※ **NOTE**

Push upper face of the auto cutter cover for completely locking of it.

5-9 When the ERROR light is on and PAPER OUT light blinks, please press the FEED button. After that, the printer is ready for printing.

## 6. Removing Jammed Paper

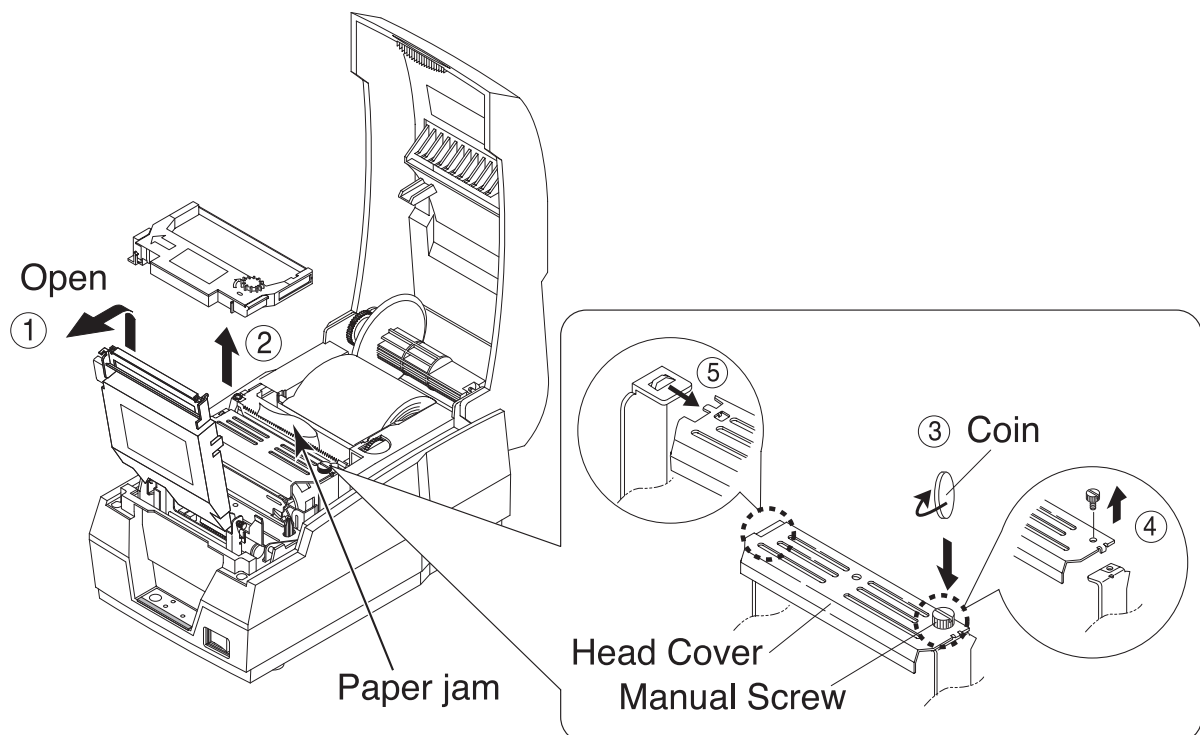
6-1 Open the printer cover.

6-2 Raise the auto cutter unit by lifting the knob lock.

6-3 Remove the ribbon cassette.

6-4 Loosen the manual screw.

6-5 Remove the head cover.

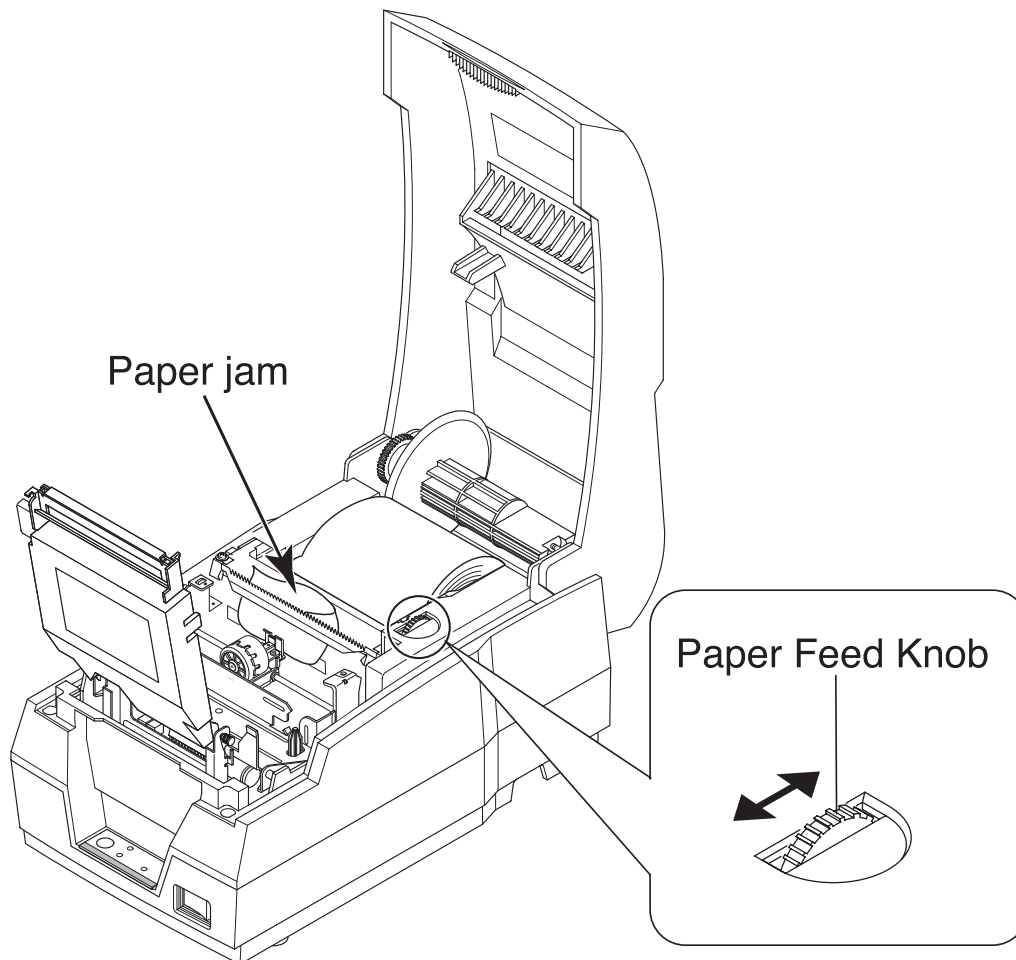


### ※ CAUTION

The printer head becomes very hot during printing. Allow it to be cool before you reach into the printer.

6-6 Move the print head carriage to the reverse direction of paper jam.  
By pushing on the side of the print head as shown in the illustration.

6-7 Remove the jammed paper by rotating the paper-feed knob.



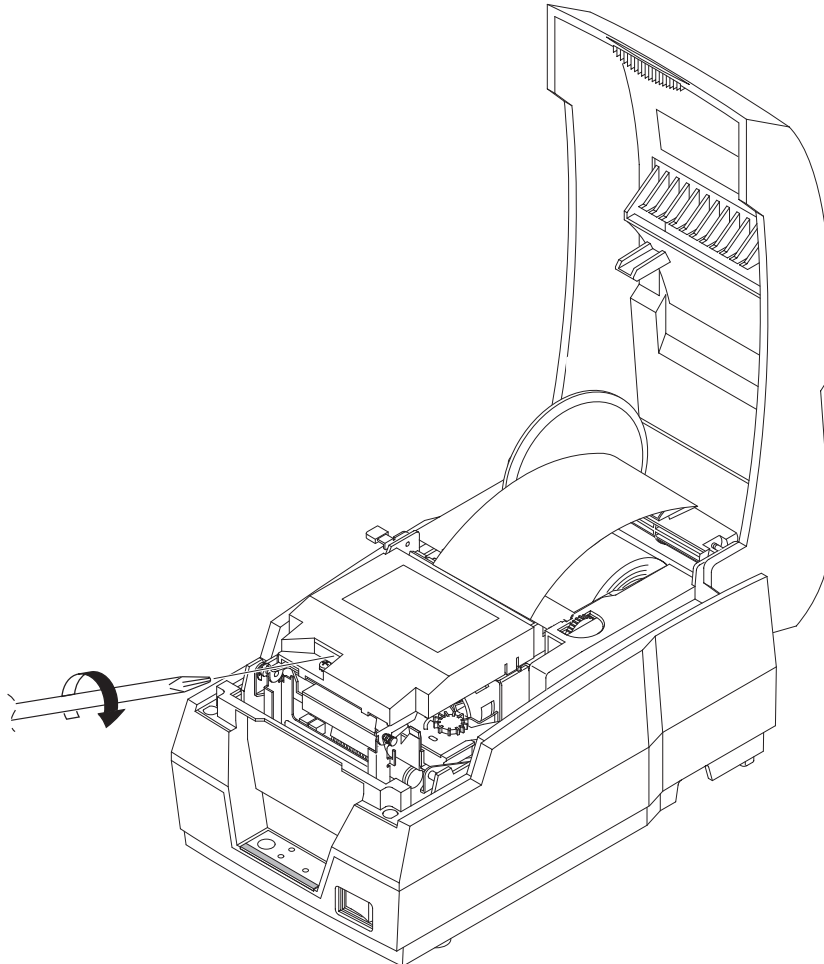
6-8 Replace the head cover and secure it with screw.

6-9 Replace the ribbon cassette and roll paper, then close the printer cover.



**※ NOTE**

If you are troubled with reloading the paper, the cutter blade may not be in its normal position. Insert a screw driver into the hole at the bottom side of auto cutter unit as shown followed picture, and turn the gear inside the cutter unit to move the cutter blade to its normal position.



## **7. Self Test**

The self-test checks whether the printer has any problems. If the printer does not function properly, contact your dealer.

7-1 Make sure paper roll has been installed properly.

7-2 Turn on the power while holding down the FEED button. The self-test begins.

7-3 The self-test prints the current printer status, which provides the control ROM version and the DIP switch setting.

7-4 After printing the current printer status, self-test printing will print the following, and pause (The PAPER LED light blinks).

**Self-test printing.  
Please press the FEED button**

7-5 Press the FEED button to continue printing. The printer prints a pattern using the built-in character set.

7-6 The self-test automatically ends after printing the following.

**\*\* Character Test Completed \*\***

7-7 The printer is ready to receive data when it completes the self-test.

## 8. Hexadecimal Dumping

This feature allows experienced users to see exactly what data is coming to the printer. This can be useful in finding software problems. When you turn on the hexadecimal dump function, the printer prints all commands and data in hexadecimal format along with a guide section to help you find specific commands.

To use the hexadecimal dump function, follow these steps.

8-1 After you make sure that the printer is off.

8-2 Set DIP switch 2-2 On.

8-3 Turn on the printer, then the printer enters the hexadecimal dump mode.

8-4 Run any software program that sends data to the printer. The printer will print all the codes it receives in a two-column format. The first column contains the hexadecimal codes and the second column gives the ASCII characters that correspond to the codes.

```

1B 21 00 1B 26 02 40 40    . ! . . & . @ @
02 0D 1B 44 0A 14 1E 28    . . . D . . . . (
00 01 0A 41 0D 42 0A 43    . . . A . B . C

```

- A period(.) is printed for each code that no ASCII equivalent.
- During the hex dump, all commands except **DLE EOT** and **DLE ENQ** are disabled.
- Insufficient print data to fill the last line can be printed by pressing the FEED button.

8-5 When the printing finishes, turn off the printer, and then change DIP switch 2-2 OFF.

8-6 Turn on the printer and then the hexadecimal mode is off.

**9. Specification**

|             |                       |  |
|-------------|-----------------------|--|
| Printer     | Printing method       | Serial impact dot matrix   |
|             | Number of head pin    | 9 wires  |
|             | Printing direction    | Bi-directional   |
|             | Lines per second      | Approx. 4.6 LPS  |
|             | Characters per line   | 40 (9*7), 33(9*9)  |
| Ribbon      | Ribbon type           | Cartridge type (ERC-38 Black/Red)  |
|             | Color                 | Black & Red  |
|             | Ribbon life           | Approx.<br>Black : 1.5 Million characters<br>Red : 0.75 Million characters   |
| Paper       | Paper type            | Roll paper   |
|             | Paper width           | W76mm ± 0.5mm (2.99" ± 0.22")  |
|             | Roll diameter         | Max. φ80mm (3.14")   |
|             | Thickness             | 0.06mm ~ 0.085mm (0.002" ~ 0.003")   |
| Adapter     | Overall dimensions    | 120mm * 63mm * 33mm (4.71" * 2.47" * 1.29")  |
|             | Weight                | 215gr (0.5 lbs)  |
|             | Types                 | AD-270 Free Voltage (50Hz ~ 60Hz)  |
| Auto Cutter | Cutter type           | Guillotine type  |
|             | Cutting width         | Max. 85 mm   |
|             | Cutting thickness     | Max. 0.1mm   |
| ETC         | Data buffer           | 4k bytes   |
|             | Overall dimension     | SRP-270A/AS/AP/AU :<br>160(W)*249(D)*130(H)mm (6.3"*9.8"*5.12")<br>SRP-270C/CS/CP/CU :<br>160(W)*249(D)*149(H)mm (6.3"*9.8"*5.87")<br>SRP-270D/DS/DP/DU :<br>160(W)*294(D)*160(H)mm (6.3"*11.57"*6.3")                       |
|             | Weight                | Weight (printer only)<br>Weight (with box & accessories) :<br>SRP-270A TYPE: 2.2 Kg (4.9 lbs) / 3.2 Kg (7.1 lbs)<br>SRP-270C TYPE: 2.5 Kg (5.5 lbs) / 3.5 Kg (7.7 lbs)<br>SRP-270D TYPE: 2.6 Kg (5.7 lbs) / 3.6 Kg (7.9 lbs) |
|             | Rating                | DC 24 V, 1.0 A   |
|             | Power consumption     | Standby : 8 W, Operation: 24 W   |
|             | EMI                   | FCC class A, CE  |
|             | Safety standards      | UL/CSA, TUV  |
|             | Reliability           | Printer MCBF: 7,500,000 lines (Except print head life)<br>Print head life: 300,000,000 Dots  |
|             | Operation Temperature | 0°C ~ 40°C ( 32°F ~ 104°F)   |
|             | Operation humidity    | 30% ~ 80%  |
|             | Storage temperature   | -5°C ~ 50°C ( 23°F ~ 122°F)  |
|             | Storage humidity      | 10% ~ 95%  |

## Free Manuals Download Website

<http://myh66.com>

<http://usermanuals.us>

<http://www.somanuals.com>

<http://www.4manuals.cc>

<http://www.manual-lib.com>

<http://www.404manual.com>

<http://www.luxmanual.com>

<http://aubethermostatmanual.com>

Golf course search by state

<http://golfingnear.com>

Email search by domain

<http://emailbydomain.com>

Auto manuals search

<http://auto.somanuals.com>

TV manuals search

<http://tv.somanuals.com>