

FCQ321HTUX
FCQ321HTUB
FCQ321HTUW

Electric Range

user manual

imagine the possibilities

Thank you for purchasing this Samsung product.
To receive more complete service, please register
your product at

www.samsung.com/global/register



features of your new range

Enhanced convenience. Better cooking. Easy maintenance. Your new electric range has been designed to bring you these benefits and more.

- **Steam Quick cleaning**

Thanks to Steam Quick™, Samsung's unique technology for light-duty cleaning jobs, keeping your oven spick-and-span is a snap — no hassle, no odor, no chemicals. Steam Quick™ cleans the inside of your range with high-temperature steam in just 20 minutes.

- **Bigger is better**

With a capacity of 5.7 cubic feet, your new range is equipped with more space than any of its competitors in the U.S. market. This means greater convenience for you when cooking for the holidays or when entertaining.

- **A cooktop with 5 burners**











Four main burners with one that dial heat up to different pot sizes.

A smaller warming burner in the center of the range top.


important safety instructions


Read and follow all instructions before using your oven to prevent the risk of fire, electric shock, personal injury, or damage when using the range. This guide does not cover all possible conditions that may occur. Always contact your service agent or manufacturer about problems that you do not understand.



SAFETY SYMBOLS

	WARNING: This symbol alerts you to hazards or unsafe practices that could cause serious bodily harm or death.
	CAUTION: This symbol alerts you to hazards or unsafe practices that could cause bodily injury or property damage.
	Do not attempt or use.
	Do not disassemble.
	Do not touch.
	Follow directions explicitly.
	Unplug the power plug from the wall socket.
	Make sure the machine is grounded to prevent electric shock.
	Call the service center for help.
	Note

ANTI-TIP DEVICE

-  **WARNING-**To reduce the risk of tipping the range, the range must be secured by a properly installed Anti-Tip device. Refer to the installation manual for instructions.






**WARNING**
ALL RANGES CAN TIP AND CAUSE INJURIES TO PERSONS
INSTALL THE ANTI-TIP DEVICE PACKED WITH RANGE
FOLLOW ALL INSTALLATION INSTRUCTIONS

-  **Do not step, lean, or sit on the doors of the range.** These can cause the range to tip, resulting in burns or serious injuries.
-  Check to see that the Anti-Tip device is installed properly. Then grasp the top rear edge of the range and carefully attempt to tilt it forward. Verify that the Anti-Tip device is engaged.

If you pull the range out from the wall for any reason, make sure the device is properly engaged when you push the range back against the wall. If it is not, there is a possible risk of the range tipping over and causing injury if you or a child stand, sit or lean on an open door.

FOR YOUR SAFETY

When using electrical appliances, basic safety precautions should be followed, including the following:


-  Use this appliance only for its intended purpose as described in this Owner's Manual.
Potentially hot surfaces include the cooktop, areas facing the cooktop, oven vent opening, surfaces near the opening, crevices around the oven door.
-  Be sure your appliance is properly installed and grounded by a qualified technician.
-  **User Servicing** - Do not repair or replace any part of the appliance unless specifically recommended in the manual. All other servicing should be referred to a qualified technician.
-  Always disconnect power to appliance before servicing by removing the fuse or switching off the circuit breaker.
-  **Do not enter inside the oven.**

Do not store items of interest to children in cabinets above a range or on the back guard of a range. Children climbing on the range to reach items could be seriously injured.

Do not leave children alone. Children should not be left alone or unattended in an area where appliance is in use. They should never be allowed to sit or stand on any part of the appliance.

Never use your appliance for warming or heating the room.

Do not use water on grease fires. Turn off the oven to avoid spreading the flame. Smother the fire or flame by closing the door or use dry chemical, baking soda, or foam-type extinguisher.

-  **Storage in or on appliance.** Flammable materials should not be stored in an oven or near surface units. Be sure all packing materials are removed from the appliance before operating it. Keep plastics, clothes, and paper away from parts of the appliance that may become hot.

Wear proper apparel. Loose-fitting or hanging garments should never be worn while using the appliance.

Use only dry potholders. Moist or damp potholders on hot surfaces may result in burns from steam. Do not let the potholder touch hot heating elements. Do not use a towel or other bulky cloth.

Teach children not to play with the controls or any other part of the range.

SURFACE COOKING UNITS

- ❑ **Never leave surface units unattended at high heat settings.** Boilovers cause smoking and greasy spillovers that may ignite.

Do not lift the cooktop. Lifting the cooktop can lead to damage and improper operation of the range.

Do not operate the cooktop when there is no cookware. If the cooktop operates without a cookware, the control knob will become hot.

Never use the glass cooktop surface as a cutting board.

- ★ **Use care when touching the cooktop.** The glass surface of the cooktop will retain heat after the controls have been turned off.

Be careful when placing spoons or other stirring utensils on glass cooktop surface when it is in use. They may become hot and could cause burns.

Use proper pan sizes. This appliance is equipped with surface units of different size. Select utensils having flat bottoms large enough to cover the surface unit heating element. The use of undersized utensils will expose a portion of the heating element to direct contact and may result in ignition of clothing. Proper relationship of utensil to burner will also improve efficiency.

Glazed cooking utensils. Only certain types of glass, glass/ceramic, ceramic, earthenware, or other glazed utensils are suitable for range-top service without breaking due to the sudden change in temperature.

Utensil handles should be turned inward and not extend over adjacent surface units. To reduce the risk of burns, ignition of flammable materials, and spillage due to unintentional contact with the utensil, the handle of a utensil should be positioned so that it is turned inward, and does not extend over adjacent surface units.

Read and follow all instructions and warnings on the cleaning cream labels.

Be sure you know which control knob operates each surface unit. Make sure you turned on the correct surface unit.

Always turn the surface units off before removing cookware.

When preparing flaming foods under the hood, turn the fan on.

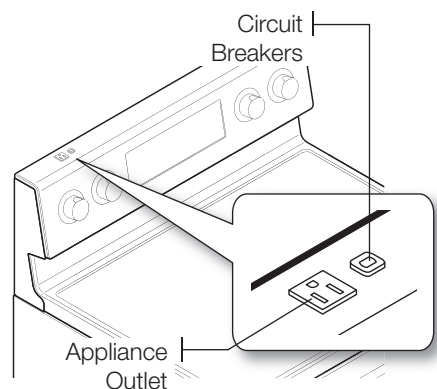
Keep an eye on foods being fried at high or medium high heat settings.

APPLIANCE OUTLETS


The 120V appliance outlets located on the control console may be used to run portable appliances placed on countertops beside the range.

The outlets operate independently and are not affected by range control settings.

- ❑ Do not place portable appliances on the cooktop. Damage to the portable appliance could result if the cooktop is hot.
- ✍ **Appliance outlet circuit breakers:** The circuit breakers for the appliance outlets on your range are located on top of the control console. They are rated for 15 amps, that may trip if the appliance plugged into it exceeds 15 amps. To reset the circuit breaker, press the switch of located on the control console.
- ★ If appliance outlet don't operate, test out your small portable appliance by plugging into other outlets.




OVEN

 **DO NOT TOUCH HEATING ELEMENTS OR INTERIOR SURFACES OF THE OVEN.** Heating elements may be hot even though they are dark in color. Interior surfaces of an oven become hot enough to cause burns. During and after use, do not touch or let clothing or other flammable materials contact heating elements or interior surfaces of oven until they have had sufficient time to cool. Other surfaces of the appliance may become hot enough to cause burns. Among these surfaces are oven vent openings and surfaces near these openings, oven doors, and windows of oven doors.

Do not heat unopened food containers. Build-up of pressure may cause container to burst and result in injury.

Do not use the oven to dry newspapers. If overheated, they can catch on fire.

Do not use the oven for a storage area. Items stored in an oven can ignite.

 **Use care when opening door.** Let hot air or steam escape before you remove or replace food in the oven.


Protective liners. Do not use aluminum foil to line the oven bottoms, except as suggested in the manual. Improper installation of these liners may result in a risk of electric shock or fire.


Keep oven vent ducts unobstructed. The oven vent is located above the right rear surface unit. This area could become hot during oven use. Never block this vent and never place plastic or heat-sensitive items on vent

Placement of oven racks. Always place oven racks in the desired location while the oven is cool. If the rack must be moved while oven is hot, do not let the potholder come in contact with the hot heating element in the oven.

 Do not allow aluminum foil or meat probe to contact heating elements.

SELF-CLEANING OVENS

 **Do not clean door gasket.** The door gasket is essential for a good seal. Care should be taken not to rub, damage, or move the gasket.

 **Never keep pet birds in the kitchen.** The health of birds is extremely sensitive to the fumes released during an oven self-clean cycle. Fumes may be harmful or fatal to birds. Move birds to a well-ventilated room.

Clean in the self-clean cycle only parts listed in this manual. Before self-clean the oven, remove the broil pan, rack, utensils, and food.

No commercial oven cleaner or oven liner protective coating of any kind should be used in or on the outside of the oven. Use only a ceramic cooktop cleaner or the cleaner supplied with this appliance on the glass cooktop.

Nickel oven shelves should be removed from the oven before beginning the self-cleaning cycle, or they may discolor.

If the self-clean mode malfunctions, turn the oven off and disconnect the power supply. Have it serviced by a qualified technician.

VENTILATING HOOD

- ★ **Clean ventilating hoods frequently.** Grease should not be allowed to accumulate on the hood or filter.

When flaming foods under the hood, turn the fan on.

GLASS/CERAMIC COOKING SURFACES

- ☐ **DO NOT TOUCH SURFACE UNITS OR AREAS NEAR UNITS.** Surface units may be hot even though they are dark in color. Areas near surface units may become hot enough to cause burns. During and after use, do not touch, or let clothing or other flammable materials contact surface units or areas near units until they have had sufficient time to cool. Among these areas are the cook-top and facing the cook-top.

Do not cook on broken cooktop. If cooktop should break, cleaning solutions and spillovers may penetrate the broken cook-top and create a risk of electric shock. Contact a qualified technician immediately.

- ★ **Clean cooktop with caution.** If a wet sponge or cloth is used to wipe spills on a hot cooking area, be careful to avoid steam burn. Some cleaners can produce noxious fumes if applied to a hot surface.

BEFORE YOU BEGIN

- ★ **Clean the oven thoroughly before using for the first time.** Remove accessories and operate the oven at the bake setting at 400°F for 1 hour before using. There will be a distinctive odor; this is normal, but ensure your kitchen is well ventilated during this conditioning period.

contents

INTRODUCING YOUR NEW RANGE

9

- 9 Overview
- 9 What's included with your range

SURFACE COOKING

10

- 10 About surface cooking
- 12 How to set the appliance for surface cooking
- 14 Using the proper cookware
- 14 Choosing the proper cookware
- 15 Protecting the smoothtop surface

OPERATING THE OVEN

16

- 16 The oven control panel
- 17 Setting the clock
- 18 Minimum and maximum settings
- 18 Setting the kitchen timer
- 19 Using the oven racks
- 20 Baking
- 21 Timed cooking and delay timed cooking
- 22 Delay timed cooking
- 23 Broiling
- 25 Extra features

MAINTAINING YOUR APPLIANCE

28

- 28 Self-cleaning
- 30 Steam-cleaning
- 31 Care and cleaning of the oven
- 33 Care and cleaning of the glass cooktop
- 35 Removing and replacing the oven door
- 36 Removing and replacing the storage drawer
- 37 Changing the oven light

TROUBLESHOOTING

38

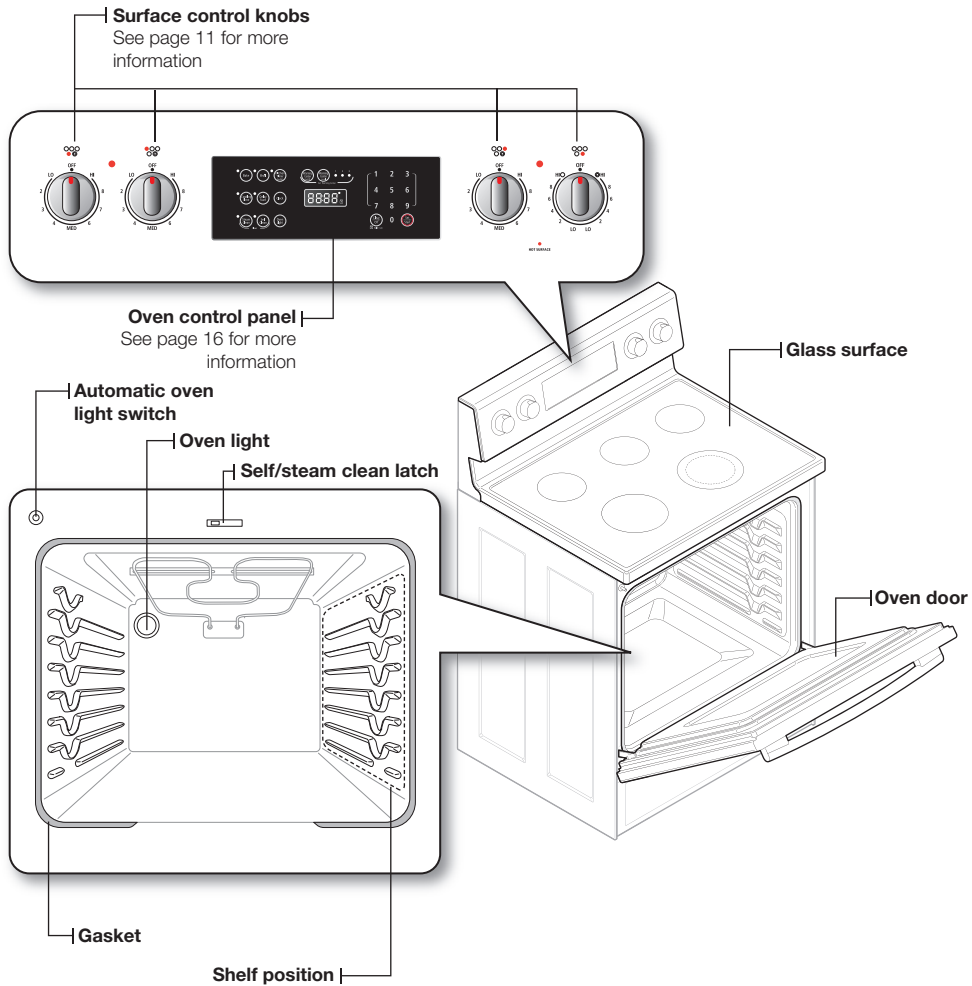
- 38 Troubleshooting

WARRANTY

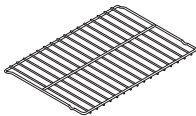
42

introducing your new range

OVERVIEW



WHAT'S INCLUDED WITH YOUR RANGE



Wire racks

surface cooking

ABOUT SURFACE COOKING



CAUTION

BEFORE COOKING

- Do not use the glass cooktop surface as a cutting board.
- Do not place or store items that can melt or catch fire on the glass cooktop, even when it is not being used.
- Turn the surface units on only after placing the cookware.
- Do not store heavy items above the cooktop surface. They could fall and damage it.



CAUTION

DURING COOKING

- Do not place aluminum foil or plastic items such as salt and pepper shakers, spoon holders, or plastic wrappings on the range when it is in use. The hot air from the vent could melt plastics or ignite flammable items.
- Make sure the correct surface unit is turned on.
- Never cook directly on the glass. Always use cookware.
- Always place the pan in the center of the surface unit you are cooking on.
- Never leave surface units unattended while using a high heat setting. Boilovers cause smoking and greasy spillovers that may catch on fire.
- Turn the surface units off before removing cookware.
- Do not use plastic wrap to cover food. Plastic may melt onto the surface and be very difficult to remove.



CAUTION

AFTER COOKING

- Do not touch the surface units until they have cooled down.
- The surface may be still be hot and burns may occur if the glass surface is touched before it has cooled down sufficiently.
- Immediately clean spills on the cooking area to prevent a tough cleaning chore later.
- If cabinet storage is provided directly above the cooking surface, make sure that the items are infrequently used and can be safely stored in an area subjected to heat. Temperatures may be unsafe for items such as volatile liquids, cleaners or aerosol sprays.

About the radiant surface elements

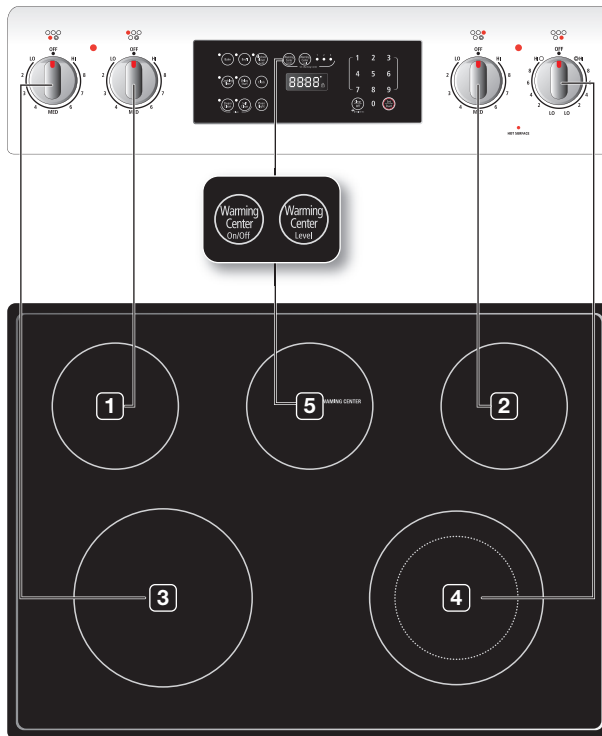
The temperature rises gradually and evenly. As the temperature rises, the radiant element will glow red. To maintain the selected setting, the element will cycle on and off. The heating element retains enough heat to provide a uniform and consistent heat during the off cycle. For efficient cooking, turn off the element several minutes before cooking is complete. This will allow residual heat to complete the cooking process.



Radiant elements have a limiter that allows the element to cycle ON and OFF, even at the HI setting. This helps to prevent damage to the ceramic cooktop. Cycling at the HI setting is normal and can occur if the cookware is too small for the radiant element or if the cookware bottom is not flat.

Location of the radiant surface elements and controls

The radiant control knobs operate the radiant surface elements on the cooktop as shown below.



1. **Single element:** Left rear
2. **Single element:** Right rear
3. **Single element:** Left front
4. **Dual element:** Right front
5. **Warming center:** Center rear

Hot surface indicator



- Comes on when the unit is turned on or hot to the touch.
- Stays on even after the unit is turned off.
- Glows until the unit is cooled to approximately 150°F.

Cooking areas

- The cooking areas on your range are identified by permanent circles on the glass cooking surface. For the most efficient cooking, fit the pan size to the element size.
- **Pans should not extend more than ½” to 1” beyond the cooking area.**
- When a control is turned on, a glow can be seen through the glass cooking surface. **The element will cycle on and off to maintain the preset heat setting, even at high settings.**
- For more information on selecting proper types of cookware, refer to the section “Using the proper cookware” on page 14.

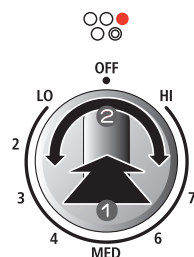
HOW TO SET THE APPLIANCE FOR SURFACE COOKING



- The surface elements may be hot and burns may occur. Do not touch surface elements until they have cooled down sufficiently.
- At high or medium-high settings, never leave food unattended. Boilovers cause smoking and greasy spillovers may catch on fire.
- Be sure you turn the control knob to **OFF** when you finish cooking.
- The area between the high and off settings, are not appropriate for cooking.

Single surface unit control knob (left front, left rear, right rear)

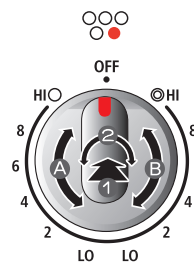
1. Push the knob in.
 2. Turn in either direction to the setting you want.
- At both the off and high settings, the knob clicks into position.




Dual surface unit control knob (right front)

The dual surface unit has 2 cooking sizes to select from so you can match the size of the unit to the size of the cookware you are using.

1. Push the knob in.
 2. Turn in either direction to the setting you want.
- To use the small surface unit, turn the control knob to the **small burner (A)** settings.
 - To use the large surface unit, turn the control knob to the **large burner (B)** settings.



 When changing from a high heat setting to a lower heat setting, the surface unit may stop glowing. This is normal.


Recommended settings

SETTING	TYPE OF COOKING
HIGH	Starting most foods, bringing water to a boil, pan broiling
MEDIUM HIGH	Continuing a rapid boil, frying, deep fat frying
MEDIUM	Maintaining a slow boil, thickening sauces and gravies, steaming vegetables
MEDIUM LOW	Keeping foods cooking, poaching, stewing
LOW	Keeping warm, melting, simmering

Using the warming center

The **warming center**, located in the back center of the glass surface, will keep hot, cooked food at serving temperature.

- ✎ • **The surface warmer will not glow red like the cooking elements.**

 **CAUTION**

- Do not warm food on the warming center for more than two hours.
- Use only cookware and dishes recommended as safe for oven and cooktop use.
- Always use potholders or oven mitts when removing food from the warming center as cookware and plates will be hot.
- When warming pastries and breads the cover should have an opening to allow moisture to escape.
- Do not use plastic wrap to cover foods. Plastic may melt onto the surface and be very difficult to clean.
- Food should be kept in its container and covered with a lid or aluminum foil to maintain food quality.
- Always start with hot food. Eating uncooked or cold food placed on the warming center could result in illness.

1. Turn the warming center on.
Press the **WARMING CENTER ON/OFF** pad.



2. Select the power setting you want.
Pressing the **WARMING CENTER LEVEL** pad once will set it to the level 1 setting. Press the pad twice for the level 2 setting, 3 times for level 3.



3. Turn the warming center off.
Press the **WARMING CENTER ON/OFF** pad.

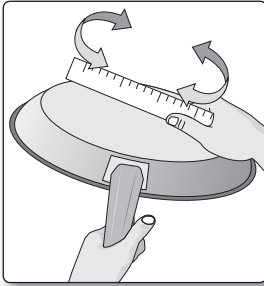
- ✎ • Pressing the **CLEAR/OFF** pad does not turn the warming center off.

Recommended settings


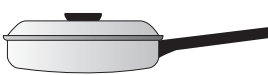
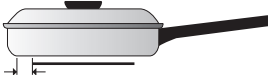
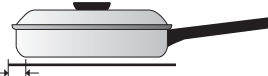

LEVEL	TYPE OF FOOD
1	Breads/pastries, casseroles, gravies, eggs
2	Dinner plate with food, soups (cream), vegetables, sauces, stews, meats
3	Fried foods, soups (liquid), hot beverages

USING THE PROPER COOKWARE

Using the right cookware can prevent many problems, such as uneven cooking or extended cooking times. Using the proper pans will reduce cooking times and cook food more evenly.



Check for flatness by rotating a ruler across the bottom of the cookware.

CORRECT	INCORRECT
	
<p>Flat bottom and straight sides.</p>	<p>Curved and warped pan bottoms.</p>
<ul style="list-style-type: none"> • Tight fitting lids. 	
<ul style="list-style-type: none"> • Weight of handle does not tilt pan. 	
<ul style="list-style-type: none"> • Pan is well balanced. 	
<ul style="list-style-type: none"> • Pan size matches the amount of food to be prepared and the size of the surface element. 	<p>Pan overhangs element by more than one-half inch.</p>
<ul style="list-style-type: none"> • Made of a material that conducts heat well. 	
<ul style="list-style-type: none"> • Always match pot diameter to element surface diameter. 	<p>Pan is smaller than element.</p>
	
	<p>Heavy handle tilts pan.</p>

CHOOSING THE PROPER COOKWARE

What your cookware is made of determines how evenly and quickly heat is transferred from the surface element to the pan bottom.

- **ALUMINUM** - Excellent heat conductor. Some types of food will cause the aluminum to darken. (Anodized aluminum cookware resists staining & pitting.). If aluminum pans are slid across the ceramic cooktop, they may leave metal marks that resemble scratches. Remove these marks immediately.
- **COPPER** - Excellent heat conductor but discolors easily. May leave metal marks on ceramic glass (see above).
- **STAINLESS STEEL** - Slow heat conductor with uneven cooking results. Is durable, easy to clean and resists staining.
- **CAST IRON** - A poor conductor; retains heat very well. Cooks evenly once cooking temperature is reached. Not recommended for use on ceramic cooktops.
- **ENAMELWARE** - Heating characteristics will vary depending on base material. Porcelain-enamel coating must be smooth to avoid scratching ceramic cooktops.
- **GLASS** - Slow heat conductor. Not recommended for ceramic cooktop surfaces because it may scratch the glass.

PROTECTING THE SMOOTHTOP SURFACE

Cleaning

- Clean the cooktop before using it for the first time.
- Clean your cooktop daily or after each use. This will keep your cooktop looking good and can prevent damage.
- If a spillover occurs while cooking, immediately clean the spill from the cooking area while it is hot to prevent a tough cleaning chore later. Using extreme care, wipe the spill with a clean dry towel.
- Do not allow spills to remain on the cooking area or the cooktop trim for a long period of time.
- **Do not** use abrasive cleansing powders or scouring pads, which will scratch the cooktop.
- **Do not** use chlorine bleach, ammonia, or other cleansers not specifically recommended for use on a glass-ceramic surface.

Preventing marks and scratches

- Do not use glass cookware. They may scratch the cooktop.
- **Do not** place a trivet or wok ring between the cooktop and the pan. These items can mark or scratch the cooktop.
- Make sure the cooktop and the pan bottom are clean.
- **Do not** slide metal pans across the cooktop.

Preventing stains

- **Do not** use a soiled dish cloth or sponge to clean the cooktop surface. A film will remain, which may cause stains on the cooking surface after the area is heated.
- Continuously cooking on a soiled surface may/will result in a permanent stain.

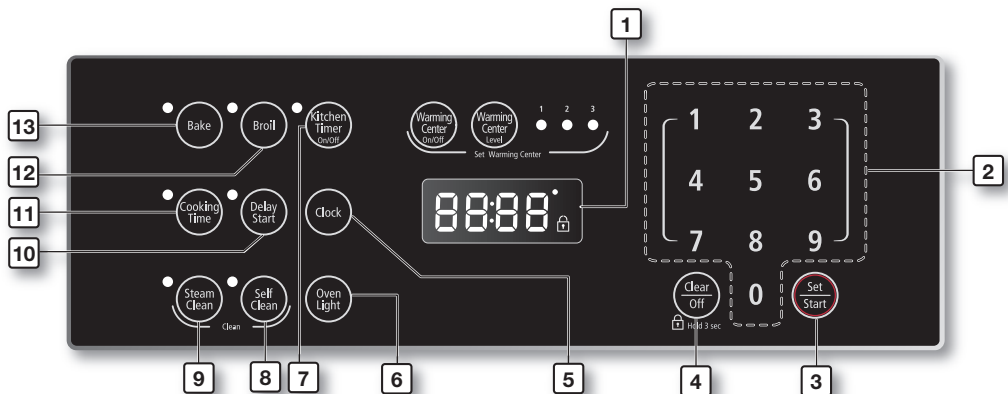
Preventing other damage

- Do not allow plastic, sugar, or foods with high sugar content to melt onto the hot cooktop. Should this happen, clean immediately.
- Do not let a pan boil dry as this will damage the cooktop and the pan.
- **Do not** cook food directly on the cooktop without the proper cookware.

operating the oven

THE OVEN CONTROL PANEL

READ THE INSTRUCTIONS CAREFULLY BEFORE USING THE OVEN. For satisfactory use of your oven, become familiar with the various features and functions of the oven as described below. **Detailed instructions for each feature and function follow later in this user manual.**



- 1. DISPLAY:** Shows the time of day, oven temperature, whether the oven is in the bake, broil or self-cleaning mode, and the times set for the timer or automatic oven operations.
- 2. NUMBER PADS:** Use to set any function requiring numbers such as the time of day on the clock, the timer, the oven temperature, the start time and length of operation for timed baking.
- 3. SET/START:** Must be pressed to start any cooking or cleaning function.
- 4. CLEAR/OFF:** Press to cancel all oven operations except the clock and timer, warming center.
- 5. CLOCK:** Press to set the time of day.
- 6. OVEN LIGHT:** Press to turn the oven light on or off.
- 7. KITCHEN TIMER ON/OFF:** Press to select the timer feature.
- 8. SELF CLEAN:** Press to select self-cleaning function.
- 9. STEAM CLEAN:** Press to select steam-cleaning function.
- 10. DELAY START:** Use along with Bake, Cooking Time, and Self Clean pads to set the oven to start and stop automatically at a time you set.
- 11. COOKING TIME:** Press and then use the number pads to set the amount of time you want your food to cook. The oven will shut off when the cooking time has run out.
- 12. BROIL:** Press to select the broil function.
- 13. BAKE:** Press to select the bake function.

SETTING THE CLOCK

The **clock** must be set to the correct time of day for the automatic oven timing functions to work properly.

- The time of day cannot be changed during a timed cooking, a delay-timed cooking or a self-cleaning cycle.
- You can choose between a 12-hour or 24-hour display. The default is 12-hour.

How to set the clock

1. Start the set up.

Press the **CLOCK** pad.



2. Enter the present time.

Enter the current time in hours and minutes on the number pad, eg. 1, 3, 0, for 1:30.



3. Exit the set up.

Press the **SET/START** or **CLOCK** pad.

How to change between a 12-hour and 24-hour display

1. Start the set up.

Press **CLOCK** and **0** on the number pad at the same time for 3 seconds.

The display will show the present mode (eg. 12 hour).



2. Select the display mode you want.

Press **0** on the number pad to select 12 hour or 24 hour.

Pressing **0** on the number pad changes the display between 12 hour and 24 hour.



3. Exit the set up.






Press the **SET/START** pad.



MINIMUM AND MAXIMUM SETTINGS

All of the features listed have minimum and maximum time or temperature settings.

A beep will sound each time a pad on the control panel is pressed and the entry is accepted. An error tone will sound in the form of a long beep if the entered temperature or time is below the minimum or above the maximum setting for the feature.

FEATURE	MINIMUM	MAXIMUM
 Bake	150°F (65°C)	550°F (285°C)
 Broil	LO	HI
 Self Clean	2 Hr.	4 Hr.
 Warming Center	-	3 Hr.
 Steam Clean	20 Min.	20 Min.

SETTING THE KITCHEN TIMER

The kitchen timer serves as an extra timer that will beep when the set time has elapsed. It does not start or stop cooking functions. The feature can be used during any of the other oven functions.

How to set the timer

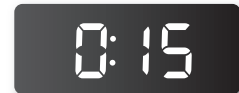
1. Turn the timer on.

Press the **KITCHEN TIMER ON/OFF** pad.



2. Enter the amount of time you want.

Enter the amount of time you want using the number pad, eg. 1, 5. The timer can be set for any amount of time from 1 minute to 9 hours and 99 minutes. If you make a mistake, press the **KITCHEN TIMER ON/OFF** pad and start again.



3. Start the timer.

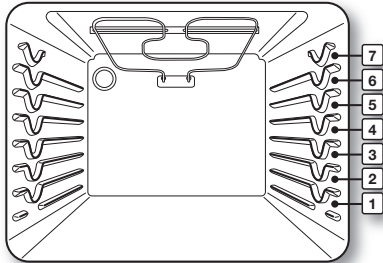
Press the **KITCHEN TIMER ON/OFF** pad.

4. When the set time has elapsed, the oven will beep and the display will show End until you press the **KITCHEN TIMER ON/OFF** pad. You can cancel the timer at any time by pressing the **KITCHEN TIMER ON/OFF** pad.



USING THE OVEN RACKS

Oven rack positions



The oven has 7 rack positions (1~7).

TYPE OF FOOD	RACK POSITION
Frozen pies	4
Angel food cake	2
Bundt or pound cakes	3
Biscuits, muffins, brownies, cookies, cupcakes, layer cakes, pies	4
Casseroles	4
Small roast, ham	2
Turkey, large roast	1

Baking layer cakes

Centering the baking pans in the oven as much as possible will produce better results. If baking with more than one pan, place the pans so each has at least 1" to 1½" of air space around it.

If cooking on multiple racks, place the oven racks in positions 2 and 5. Place the cookware as shown in the figures below.

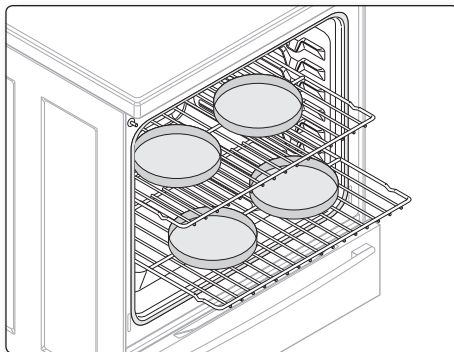


Fig. 1

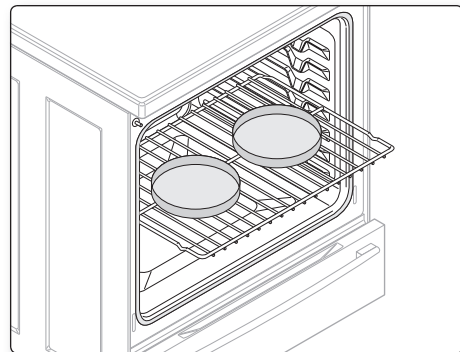


Fig. 2

Before using the racks

The oven has two racks.

Each rack has stops that need to be placed correctly on the supports. These stops will keep the rack from coming completely out.

REMOVING THE RACKS	REPLACING THE RACKS
1. Pull the rack straight out until it stops.	1. Place the end of the rack on the support.
2. Lift up the front of the rack and pull it out.	2. Tilt the front end up and push the rack in.



CAUTION

- Do not cover a rack with aluminum foil or place on the oven bottom. This will disturb the heat circulation, resulting in poor baking, and may damage the oven bottom.
- Arrange the oven racks only when the oven is cool.

BAKING

The oven can be programmed to bake at any temperature from 150°F to 550°F.

How to set the thermostat

1. Start the set up.

Press the **BAKE** pad. The default temperature is 350°F.



2. Enter the temperature you want on the number pad, eg. 3, 7, 5.



3. Start the bake function.

Press the **SET/START** pad. The temperature display will start to change once the oven temperature reaches 150°F.



4. If you want to cancel baking or if you have finished, press the **CLEAR/OFF** pad.

★ Place food in the oven after preheating if the recipe calls for it. Preheating is very important for good results when baking cakes, cookies, pastry, and breads. After the oven has reached the desired temperature, a long beep will sound 6 times.

How to adjust the thermostat while cooking

1. Start the set up.

Press the **BAKE** pad. The display will show the present temperature, eg. 375°F.



2. Enter the temperature you want, eg. 425°F, by using the number pad.



3. Complete the entry by pressing the **SET/START** pad.



TIMED COOKING

In a timed cooking, the oven turns on immediately and cooks for the length of time you select. At the end of the cooking time, the oven turns off automatically.

- You can use the timed cooking feature only with another cooking operation (bake).
- You can set the oven for a timed cooking before setting other cooking operations.
- The clock must be set for the correct time of day.

How to set the oven for timed cooking

1. Start the set up.

Press the **BAKE** pad. The default temperature is 350°F.



2. Enter the temperature you want on the number pad, eg. 3, 7, 5.



3. Press the **COOKING TIME** pad.



4. Enter the cooking time you want, eg. 45 min, by using the number pad.

You can set the cooking time for any amount from 1 minute to 9 hours and 99 minutes.





5. Press the **SET/START** pad to begin cooking operation.

The oven will continue to cook until the set amount of time has elapsed. If you want to show temperature display, press the bake pad.



6. You can cancel a timed cooking at any time by pressing the **CLEAR/OFF** pad.

 Place food in the oven after preheating if the recipe calls for it. Preheating is important for good results when baking cakes, cookies, pastry, and breads. After the oven has reached the desired temperature, a long beep will sound 6 times.

 Use caution with the **timed cooking** or **delay timed cooking** features. Use these features when cooking cured or frozen meats and most fruits and vegetables. Foods that can easily spoil, such as milk, eggs, fish, meat or poultry, should be chilled in the refrigerator first. Even when chilled, they should not stand in the oven for more than 1 hour before cooking begins, and should be removed promptly when cooking is completed. Eating spoiled food can result in sickness from food poisoning.

DELAY TIMED COOKING

In a delay timed cooking, the oven's timer turns the oven on and off at times you select in advance.

- You can use the delay timed cooking feature only with another cooking operation (bake).
- You can set the oven for a delay timed cooking before setting other cooking operations.
- The clock must be set for the correct time of day.

How to set the oven for delay timed cooking

1. Position the oven rack(s) and place the food in the oven.

2. Enter the set up.

Press the pad for the cooking operation you want, eg. BAKE. The default temperature is 350°F.

3. Use the number pads to enter the temperature you want, eg. 375°F.

4. Press the **COOKING TIME** pad.

5. Enter the cooking time you want, eg. 45 min, by using the number pad.

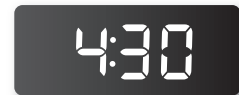
You can set the cooking time for any amount of time from 1 minute to 9 hours and 99 minutes.



6. Press the **DELAY START** pad.




7. Enter the time you want the oven to turn on, eg. 4:30, by using the number pad.



8. Press the **SET/START** pad.

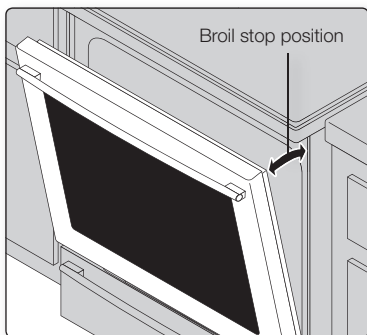
At the set time, a short beep will sound. The oven will begin to bake. When the oven has reached the desired temperature, a long beep will sound 6 times.



-  Place food in the oven after preheating if the recipe calls for it. Preheating is important for good results when baking cakes, cookies, pastry, and breads. After the oven has reached the desired temperature, a long beep will sound 6 times.

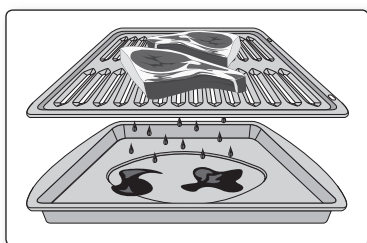
BROILING

Broil stop position



Leave the door open to the broil stop position. The door will stay open by itself, yet the proper temperature is maintained in the oven.

Using the broil pan



The broil pan and the insert allow grease to drain and be kept away from the high heat of the broiler.

- **Do not** use the pan without the insert.
- **Do not** cover the insert with foil; the exposed grease could ignite.



These are not supplied with the range.



CAUTION

Should an oven fire occur, close the oven door and turn the oven off. If the fire continues, throw baking soda on the fire or use a foam-type fire extinguisher. Do not put water or flour on the fire. Flour may be explosive and water can cause a grease fire to spread and cause personal injury.

How to set the oven for broiling

1. Select the broil setting you want.

Press the **BROIL** pad once for HI or twice for LO.

Use LO to cook foods such as poultry or thick cuts of meat thoroughly without over-browning them.



2. Start the broiling function.

Press the **SET/START** pad.

Broil on one side until food is browned; turn and cook on the other side.



3. Press the **CLEAR/OFF** pad once you have finished cooking or if you want to cancel broiling.

Recommended broiling guide

The size, weight, thickness, starting temperature, and your preference of doneness will affect broiling times.

This guide is based on meats at refrigerator temperature.

Food	Quantity and/or thickness	Shelf position	First side time (min.)	Second side time (min.)	Comments
Ground Beef Well Done	1 lb. (4 patties) ½ to ¾" thick	7	8-10	4-6	Space evenly. Up to 8 patties may be broiled at once.
Beef Steaks					
Rare	1" thick 1 to 1½ lbs.	7	8	3-5	Steaks less than 1" thick cook through before browning. Pan frying is recommended.
Medium		7	10	4-6	
Well Done		7	12	5-7	
Rare	1½" thick 2 to 2½ lbs.	6	14	7-9	Slash fat.
Medium		6	16	8-11	
Well Done		6	19	11-13	
Chicken	1 whole cut up 2 to 2½ lbs., split lengthwise	4	23-28	13-18	Broil skin-side-down first.
	2 Breasts	5	13-18	5-10	
Lobster Tails	2-4 10 to 12 oz. each	4	14-18	Do not turn over.	Cut through back of shell. Spread open. Brush with melted butter before broiling and after half of broiling time.
Fish Fillets	¼ to ½" thick	6	5-9	3-4	Handle and turn very carefully. Brush with lemon butter before and during cooking, if desired.
Ham Slices (precooked)	½" thick	6	5-7	3-5	Increase time 5 to 10 minutes per side for 1½" thick or home-cured ham.
Pork Chops	2 (½" thick)	6	7	6-8	Slash fat.
Well Done	2 (1" thick) about 1 lb.	5	9-10	7-9	
Lamb Chops					
Medium	2 (1" thick) about 10 to 12 oz.	6	6	4-6	Slash fat.
Well Done		6	8	7-9	
Medium	2 (1½" thick) about 1 lb.	6	11	9	
Well Done		6	13	9-11	
Salmon	2 (1" thick)	6	8	3-4	Grease pan. Brush steaks with melted butter.
Steaks	4 (1" thick) about 1 lb.	6	9	4-6	

EXTRA FEATURES

12 hour energy saving

With this feature, should you forget and leave the oven on, the control will automatically turn off the oven after 12 hours during baking functions or after 3 hours during a broil function.

How to turn 12 hour energy saving feature on or off

1. Press **COOKING TIME** and **0** on the number pad at the same time for 3 seconds.
The display will flash **12 Hr** (12 hour shut-off) or **-- Hr** (no shut-off).
The default is 12 Hr.
2. Press **0** on the number pad to select OFF or ON.
Pressing 0 on the number pad changes the mode between 12 Hr and -- Hr.
3. Press the **SET/START** pad.



Fahrenheit or Celsius temperature selection

The oven control can be programmed to display temperatures in Fahrenheit or Centigrade. The oven has been preset at the factory to display in Fahrenheit.

How to change the display from Fahrenheit to Centigrade or from Centigrade to Fahrenheit

1. Press **BROIL** and **0** on the number pad at the same time for 3 seconds.
The display will flash **F** (Fahrenheit) or **C** (Centigrade).
The default is F.
2. Press **0** on the number pad to select F or C.
Pressing 0 on the number pad changes the display between F and C.
3. Press the **SET/START** pad.



Thermostat adjustment

The temperature in the oven has been preset at the factory. When first using the oven, be sure to follow recipe times and temperatures. If you think the oven is too hot or too cool, the temperature in the oven can be adjusted. Before adjusting, test a recipe by using a temperature setting that is higher or lower than the recommended temperature. The baking results should help you to decide how much of an adjustment is needed.

The oven temperature can be adjusted $\pm 35^{\circ}\text{F}$ ($\pm 19^{\circ}\text{C}$).

How to adjust the oven temperature

1. Press **BAKE** and **0** on the number pad at the same time for 3 seconds.
The display will show **ADJ 0**.
2. Enter the adjustment you want, eg. 20°F , by using the number pad.
You can adjust the temperature to lower than the factory setting by pressing the **BAKE** pad.
3. Press the **SET/START** pad.



This adjustment will not affect the broiling or the self-cleaning temperatures. The adjustment will be retained in memory after a power failure.

Sound on/off

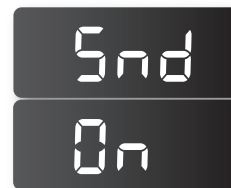
By using this feature, you can set the oven controls to operate silently.

How to turn the sound on or off

1. Press **Oven Light** and **0** on the number pad at the same time for 3 seconds.

The display will show **Snd On** (sound on) or **Snd OFF** (sound off).

The default setting is Snd On.



2. Press **0** on the number pad to select OFF or ON.

Pressing 0 on the number pad changes the mode between Snd On and Snd OFF.

3. Press the **SET/START** pad.



Control lockout

This feature will allow you to lock the buttons on the touch pad so they cannot be activated accidentally.

How to activate the control lockout feature

1. Press the **CLEAR/OFF** pad for 3 seconds.

The display will show **Loc** and an **icon of a lock** continuously and the time of day if not blacked out.

All functions must be cancelled before the control lockout is activated.

This function is available under 400°F.



How to unlock the controls

1. Press the **CLEAR/OFF** pad for 3 seconds.

Loc and the **lock icon** will disappear from the display.



Setting the Sabbath

(For use on the Jewish Sabbath & Holidays)

The Sabbath feature can be used with baking only. The oven temperature may be set higher or lower after setting the Sabbath feature (the oven temperature adjustment feature should be used only during Jewish holidays). The display, however, will not change and tones will not sound when a change occurs. Once the oven is properly set for baking with the Sabbath feature active, the oven will remain continuously on until cancelled. This will override the factory preset 12 hour energy saving feature. If the oven light is needed during the Sabbath, press the **OVEN LIGHT** pad before activating the Sabbath feature. Once the oven light is turned on and the Sabbath feature is active, the oven light will remain on until the Sabbath feature is turned off. If the oven light needs to be off, be sure to turn the oven light off before activating the Sabbath feature.

How to use the Sabbath feature

1. Press the **BAKE** pad.

The default temperature is 350°F.



2. Enter the temperature you want, eg. 375°F, by using the number pad.

3. Press the **SET/START** pad.

The temperature display will start to change once the oven temperature reaches 150°F.



4. Press the **CLOCK** and the **KITCHEN TIMER ON/OFF** pads at the same time for 3 seconds.

The display will show **SAb**.

Once SAb appears in the display, the oven control will no longer beep or display any further changes.

You may change the oven temperature once baking has started.

Remember that the oven control will no longer beep or display any further changes once the Sabbath feature.



5. You can turn the oven off at any time by pressing the **CLEAR/OFF** pad. This will turn only the oven off. If you want to deactivate the Sabbath feature, hold down the **CLOCK** and **KITCHEN TIMER ON/OFF** pads at the same time for 3 seconds. SAb will disappear from the display.



It is not advised to attempt to activate any other program feature except BAKE while the Sabbath feature is active. ONLY the following key pads will function correctly with the Sabbath feature: **NUMBER, BAKE, SET/START and CLEAR/OFF pad. ALL OTHER KEYPADS** should not be used once the Sabbath feature is activated.

maintaining your appliance

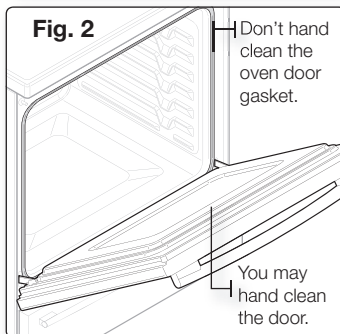
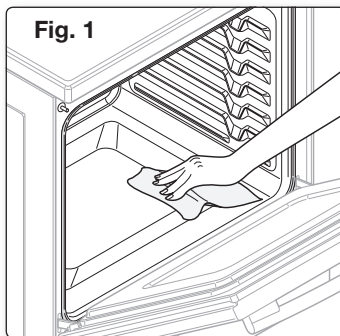
SELF-CLEANING

A self-cleaning oven uses high temperatures (well above cooking temperatures) to burn off leftover grease and residue completely or reduce them to a finely powdered ash that you can wipe away with a damp cloth.



- During the self-cleaning cycle, the outside of the range can become very hot to touch. **Do not** leave small children unattended near the appliance.
- The health of some birds is extremely sensitive to the fumes given off during the self-cleaning cycle of any range. Move birds to another well-ventilated room.
- **Do not** line the oven walls, racks, bottom or any other part of the range with aluminum foil. Doing so will result in poor heat distribution, produce poor baking results and cause permanent damage to the oven interior (aluminum foil will melt to the interior surface of the oven).
- **Do not** force the oven door open. This can damage the automatic door locking system. Use care when opening the oven door after the self-cleaning cycle is complete. Stand to the side of the oven when opening the door to allow hot air or steam to escape. The oven may still be **VERY HOT**.

Before a self-cleaning cycle



- We recommend venting your kitchen with an open window or using a ventilation fan or hood during the self-cleaning cycle.
- Remove the wire rack, broil pan, broil pan insert, all cookware and any aluminum foil from the oven.
- Wipe up debris from the oven bottom. (Fig. 1)
- The silver-colored oven racks can be self-cleaned, but they will darken, lose their luster and become hard to slide.
- Residue on the front frame of the range and outside the gasket on the door will need to be cleaned by hand. Clean these areas with hot water, soap-filled steel-wool pads or cleansers such as Soft Scrub. Rinse well with clean water and dry.
- Do not clean the gasket. The fiberglass material of the oven door gasket cannot withstand abrasion. It is essential for the gasket to remain intact. If you notice it becoming worn or frayed, replace it. (Fig. 2)
- Make sure the oven light bulb cover is in place and the oven light is off.

How to set the oven for self-cleaning

1. Select the length of time for the self-cleaning operation, eg. 3 hours.

Press the **SELF CLEAN** pad once for a 3 hour clean time, twice for a 4 hour clean time, or 3 times for a 2 hour clean time.

The default setting is 3 hours.



2. Start the self-cleaning cycle.

Press the **SET/START** pad. The motor-driven door lock will engage automatically.



- You will not be able to start a self-cleaning cycle if the control lockout feature is activated or if the oven's temperature is too hot.
- The oven door locks automatically. The display will show the clean time remaining. It is not possible to open the oven door until the temperature drops to a safe/cool temperature.
- The self-cleaning feature will not operate when a surface element is on. If a surface element gets turned on during a self-cleaning cycle, the cycle will turn off automatically.

How to delay the start of self-cleaning

1. Press the **SELF CLEAN** pad.
Select the desired self-clean time by pressing **SELF CLEAN** pad.
2. Press the **DELAY START** pad.
3. Using the **CLOCK** and number pads, enter the time you want the clean cycle to start.
4. Press the **SET/START** pad.
The display will show Delay start time and Lock icon. And the motor-driven door lock will engage automatically.
5. Self-Cleaning cycle will turn on automatically at the set time.

How to turn off the self-cleaning feature

You may find it necessary to stop or interrupt a self-cleaning cycle due to excessive smoke or fire in the oven. (When the self-cleaning cycle is done, End will show in the display and a beep will sound 6 times.)

1. Press the **CLEAR/OFF** pad.
2. You will be able to open the oven door once the oven has cooled down for approximately 1 hour.

After a self-cleaning cycle

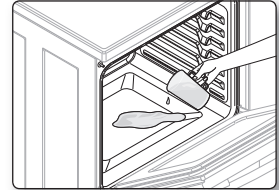
- You may notice some white ash in the oven. Wipe it up with a damp cloth after the oven cools. (If white spots remain, remove them with a soap-filled steel wool pad and rinse thoroughly with a vinegar and water mixture.)
- If the oven is not clean after one cycle, repeat the cycle.
- You cannot set the oven for cooking until the oven is cool enough for the door to unlock.

STEAM-CLEANING

How to set the oven for steam-cleaning

Steam-cleaning saves time and energy for light cleaning. For heavier-duty cleaning of debris and grease, use the self-cleaning function.

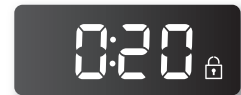
1. Remove all accessories from the oven.
2. Pour approximately 10 oz. (300 ml) of water onto the bottom of the empty oven and close the oven door.
Use normal water only, no distilled water.



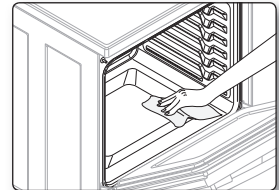
3. Press the **STEAM CLEAN** pad.



4. Press the **SET/START** pad.
When the operation is complete, the display will blink and a beep will sound.



5. Press the **CLEAR/OFF** pad.
6. Clean the oven's interior.
There will be a significant amount of water remaining on the bottom of the oven after a steam-cleaning cycle. Remove the residual water with a sponge or soft dry cloth.



- ★ When steam-cleaning, use exactly 10 oz. of water since this produces the best results.
- ✍ If you press the **STEAM CLEAN** pad when the oven temperature is above 100°F, **Hot** will appear in the display. Because these functions produce the best results when started while the oven is cool, we recommend that you wait until the oven has cooled down and Hot disappears from the display.

After a steam-cleaning cycle

- Take care when opening the door before a steam-cleaning procedure has ended; the water on the bottom is hot.
- Open the oven door and remove the remaining water with a sponge. Do not leave the residual water in the oven for any length of time. Wipe the oven clean and dry with a soft cloth (do not forget to wipe under the oven door seal).
- Use a detergent-soaked sponge, a soft brush, or a nylon scrubber to wipe the oven interior. Remove stubborn residue with a nylon scourer. You can remove lime deposits with a cloth soaked in vinegar.
- If the oven remains dirty, you can repeat the procedure once the oven has cooled.
- For heavy residue, such as grease left over from roasting, we recommend that you rub detergent into the residue before activating the steam-cleaning function.
- After cleaning, leave the oven door ajar at a 15° angle to allow the interior enamel surface to dry thoroughly.

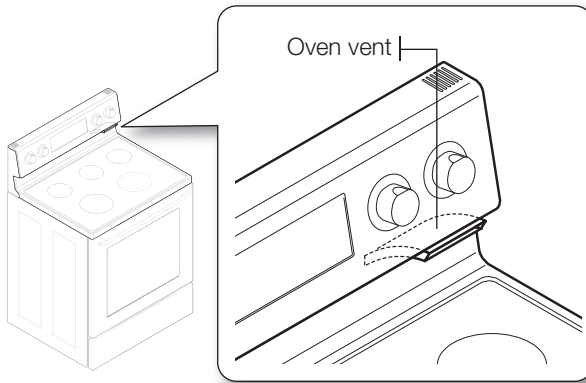
CARE AND CLEANING OF THE OVEN



- Be sure all controls are **OFF** and all surfaces are **COOL** before cleaning any part of the range.
- If your range is removed for cleaning, servicing or any reason, be sure the Anti-Tip device is re-engaged properly when the range is replaced. Failure to take this precaution could result in tipping of the range and cause injury.



Oven vent



- The oven vent is located above the right rear surface unit.
- This area could become hot during oven use.
- It is normal for steam to come out of the vent.
- The vent is important for proper air circulation. Never block this vent.

Cleaning painted parts and decorative trim

- For general cleaning, use a cloth with hot and soapy water.
- For more difficult residue and built-up grease, apply a liquid detergent directly onto the area and leave for 30 to 60 minutes. Wipe with a damp cloth and dry. Do not use abrasive cleaners on any of these surfaces; they can scratch.

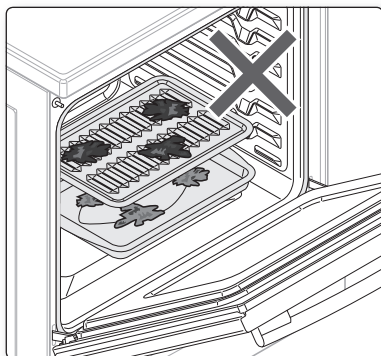
Cleaning stainless steel surfaces

1. Shake the bottle of Stainless Steel Appliance Cleaner or polish well.
2. Place a small amount of stainless steel appliance cleaner or polish on a damp cloth or damp paper towel.
3. Clean a small area, rubbing with the grain of the stainless steel if applicable.
4. Dry and buff with a clean, dry paper towel or soft cloth.
5. Repeat as necessary.



- **Do not use a steel-wool pad; it will scratch the surface.**
- If a mineral oil-based stainless steel appliance cleaner has been used before to clean the appliance, wash the surface with dishwashing liquid and water prior to using the Stainless Steel Appliance Cleaner or polish.

Cleaning the broil pan and insert



- **Do not attempt to clean the broil pan or insert by leaving it in the oven during a self-cleaning cycle.**
- After broiling, remove the broil pan from the oven. Remove the insert from the pan. Carefully pour out the grease from the pan into a proper container.
- **Wash and rinse the broil pan and grid in hot water with a soap-filled scouring pad.**
- Soaking the pan will remove burned-on foods.
- Both the broil pan and insert may be cleaned with a commercial oven cleaner and are dishwasher-safe.
- **Do not store a soiled broil pan and insert anywhere in the range.**

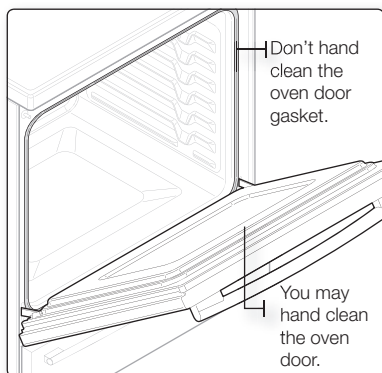


These are not supplied with the range.

Oven racks

- If the racks are left in the oven during a self-cleaning cycle, their color will turn slightly blue and the finish will be dull. After the self-cleaning cycle is complete and the oven has cooled, rub the sides of the racks with wax paper or a cloth containing a small amount of oil. This will help the racks glide more easily into their tracks.

Oven door



- Use soap & water to thoroughly clean the top, sides, and front of the oven door. Rinse well. You may use a glass cleaner on the outside glass of the oven door. DO NOT immerse the door in water. **DO NOT spray or allow water or the glass cleaner to enter the door vents.** DO NOT use oven cleaners, cleaning powders, or any harsh abrasive cleaning materials on the outside of the oven door.
- **DO NOT clean the oven door gasket.** The oven door gasket is made of a woven material which is essential for a good seal. Care should be taken not to rub, damage or remove this gasket.

CARE AND CLEANING OF THE GLASS COOKTOP

Normal daily use cleaning

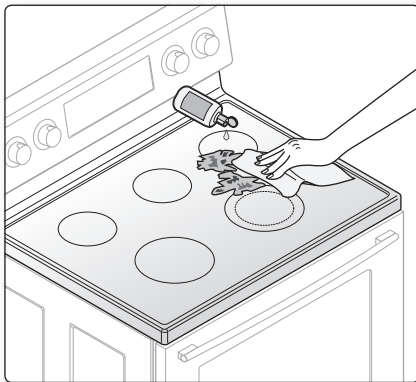
Use only a ceramic cooktop cleaner on the glass cooktop. Other creams may not be as effective. By following these steps, you can maintain and protect the surface of your glass cooktop.

1. Before using the cooktop for the first time, clean it with a ceramic cooktop cleaner. This helps protect the top and makes cleanup easier.
2. Daily use of a ceramic cooktop cleaner will help keep the cooktop looking new.
3. Shake the cleaning cream well. Apply a few drops of cleaner directly to the cooktop.
4. Use a paper towel or a cleaning pad for ceramic cooktops to clean the entire cooktop surface.
5. Use a dry cloth or paper towel to remove all cleaning residue. No need to rinse.



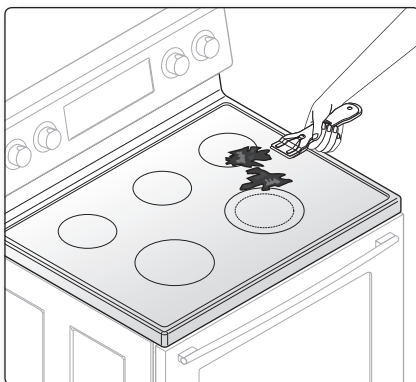
DAMAGE to your glass surface may occur if you use scrub pads other than those recommended.

Removing burned-on residue



1. Allow the cooktop to cool.
2. Spread a few drops of ceramic cooktop cleaner on the entire burned residue area.
3. Using the cleaning pad for ceramic cooktops, rub the residue area, applying pressure as needed.
4. If any residue remains, repeat the steps listed above as needed.
5. For additional protection, after all residue has been removed, polish the entire surface with ceramic cooktop cleaner and a paper towel.

Removing heavy, burned-on residue



1. Allow the cooktop to cool.
2. Use the single-edge razor-blade scraper at approximately a 45° angle against the glass surface and scrape the soil. It will be necessary to apply pressure in order to remove the residue.
3. After scraping with the razor scraper, spread a few drops of ceramic cooktop cleaner on the entire burned residue area. Use the cleaning pad to remove any remaining residue. (Do not scrape the seal.)
4. For additional protection, after all residue has been removed, polish the entire surface with the cooktop cleaner and a paper towel.

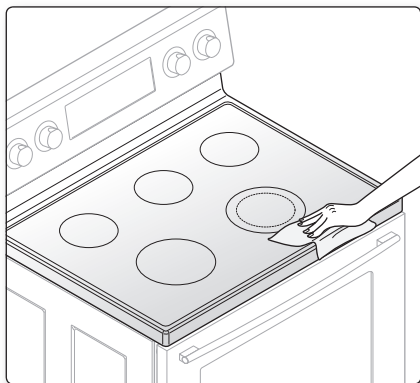
Removing metal marks and scratches

1. Be careful not to slide pots and pans across your cooktop. It will leave marks on the cooktop surface. You can remove these marks by applying ceramic cooktop cleaner.
2. If pots with a thin overlay of aluminum or copper are allowed to boil dry, the overlay may leave black discoloration on the cooktop. You should remove this discoloration immediately or it may become permanent.



Carefully check the bottoms of pans for roughness that may scratch the cooktop.

Cleaning the cooktop seal



To clean the seal around the edges of the glass, lay a wet cloth on it for a few minutes, then wipe clean with a nonabrasive cleaner.

Potential for permanent damage to the glass surface

- Sugary spillovers (such as jellies, fudge, candy, syrups) or melted plastics can cause pitting of the surface of your cooktop. This is not covered under the warranty. You should clean the spill while it is still hot. Take special care when removing hot substances. Refer to the following section.
- When using a scraper, be sure it is new and the razor blade is still sharp; do not use a dull or nicked blade.

Cleaning sugary spills and melted plastic

1. Turn off all surface units. Remove hot pans.
2. Wearing an oven mitt, use a single-edge razor-blade scraper to move the spill to a cool area of the cooktop. Remove the spill with paper towels.
3. Any remaining spillover should be left until the surface of the cooktop has cooled.
4. Don't use the surface units again until all of the residue has been completely removed.



If pitting or indentation in the glass surface has already occurred, the cooktop glass will have to be replaced. In this case, service will be necessary.

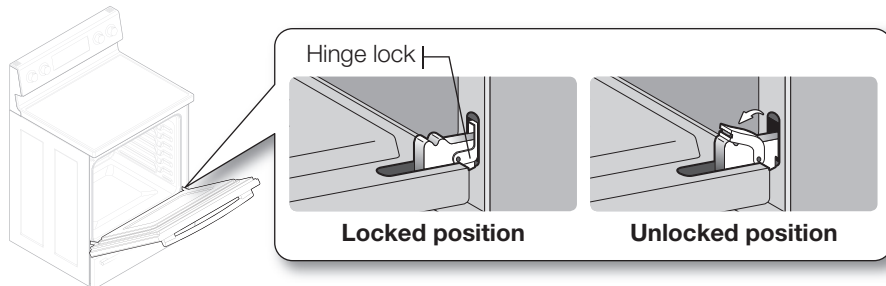
REMOVING AND REPLACING THE OVEN DOOR

How to remove the door



- The door is very heavy. Be careful when removing and lifting the door. Do not lift the door by the handle.
- Turn the power OFF before removing the door.

1. Open the door completely.
2. Pull the hinge locks down toward the door frame to the unlocked position.



3. Firmly grasp both sides of the door at the top.
4. Close the door to the door removal position, which is approximately 5 degrees from vertical (Fig. 1).
5. Lift door up and out until the hinge arm is clear of the slot (Fig. 2).

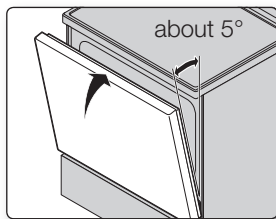


Fig. 1

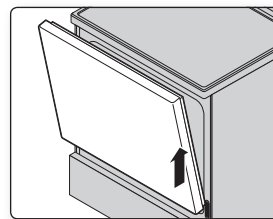
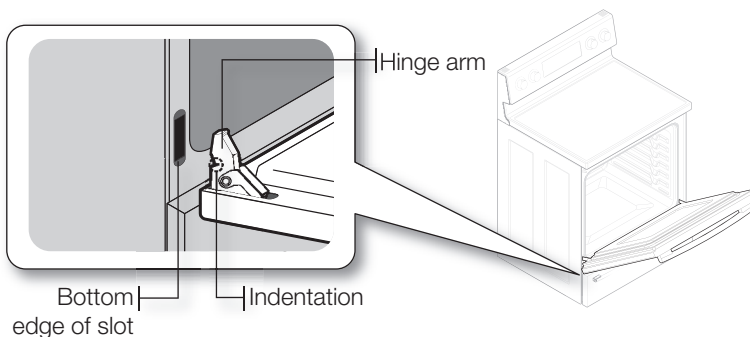


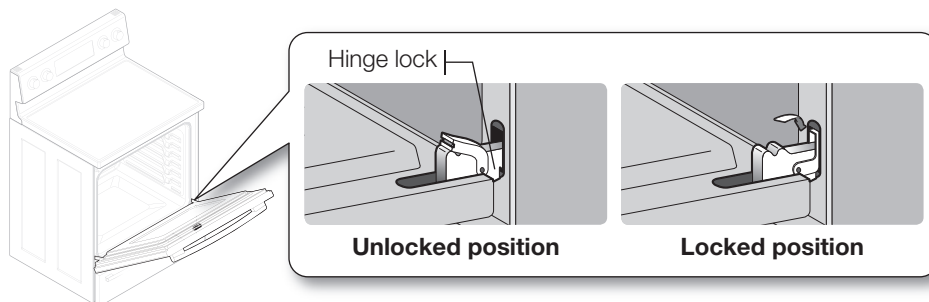
Fig. 2

How to replace the door

1. Firmly grasp both sides of the door at the top.
2. With the door at the same angle as the removal position, slide the indentation of the hinge arm into the bottom edge of the hinge slot. The notch in the hinge arm must be fully inserted into the bottom of the slot.



3. Open the door fully. If the door will not open fully, the indentation is not inserted correctly in the bottom edge of the slot.
4. Push the hinge locks up against the front frame of the oven cavity to the locked position.

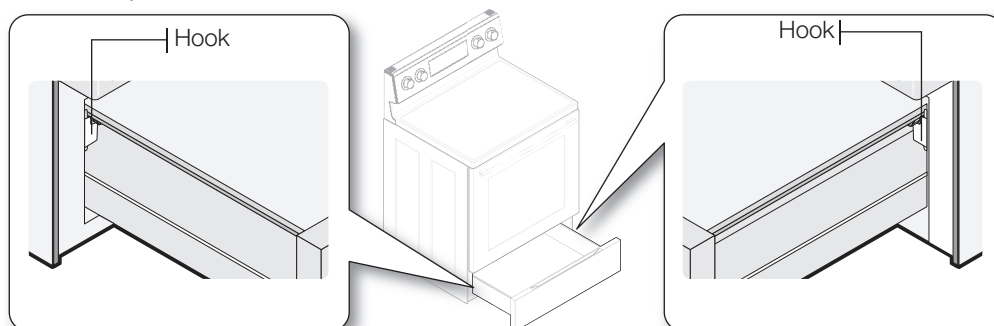


5. Close the oven door.

REMOVING AND REPLACING THE STORAGE DRAWER

How to remove the storage drawer

1. Pull the drawer out until it stops.
2. Lean the front of the drawer and pull out it until it stops.
3. Lift and pull the drawer out.



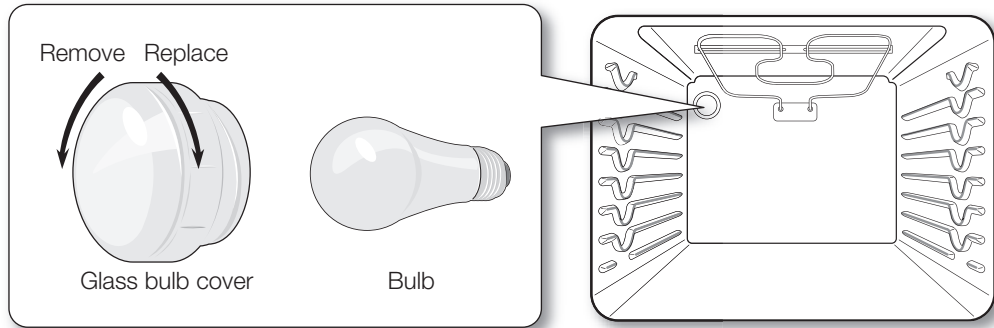
How to replace the storage drawer

1. Put on the drawer side over both hook.
2. Push the drawer until it stops.
3. Lean and lift the drawer.
4. Naturally push the drawer.

CHANGING THE OVEN LIGHT

The oven light is a standard 40-watt appliance bulb. It will come on when the oven door is open. When the oven door is closed, press the **OVEN LIGHT** pad to turn it on or off. It will not work during a self-cleaning cycle.

1. Make sure the oven and the bulb are cool.
2. Unplug the range or disconnect power.
3. Turn the glass bulb cover in the back of the oven counterclockwise to remove.
4. Turn the bulb counterclockwise to remove it from its socket.



5. Replace the light bulb and glass bulb cover by turning them clockwise.
6. Plug in the range or reconnect power.



CAUTION

Before changing your oven light bulb, disconnect the electrical power to the range at the main fuse or circuit breaker panel. Make sure the oven and the bulb are cool.

troubleshooting

TROUBLESHOOTING

Samsung works hard to ensure that you don't have problems with your new electric range. If you run into unexpected trouble, look first for a solution in the table below. If, after trying the suggested solution, you're still having trouble, call Samsung at 1-800-SAMSUNG (1-800-726-7864).

PROBLEM	POSSIBLE CAUSE	SOLUTION	
The range is not level.	The appliance has been installed improperly.	<ul style="list-style-type: none"> Place the oven rack in the center of the oven. Place a level on the oven rack. Adjust the leveling legs at the base of the range until the oven rack is level. Insure the floor is level and strong and stable enough to adequately support the range. 	
	The floor is sagging or sloping.	<ul style="list-style-type: none"> Contact a carpenter to correct the situation. 	
	The kitchen cabinets are not properly aligned and make the range appear to be not level.	<ul style="list-style-type: none"> Insure the cabinets are square and provide sufficient room for installation. 	
The appliance must be accessed for servicing and cannot be moved easily.	The kitchen cabinets are not square and built too tightly in to the appliance.	<ul style="list-style-type: none"> Contact a builder or installer to make the appliance accessible. 	
	The carpet is interfering with movement of the range.	<ul style="list-style-type: none"> Provide sufficient space so the range can be lifted over the carpet. 	
The oven control beeps and displays an F error code.	You have a function error code.	<ul style="list-style-type: none"> Press the CLEAR/OFF pad and restart the oven. If the problem persists, disconnect all power to the range for at least 30 seconds and then reconnect the power. If this does not solve the problem, call for service. 	
	CODE		CAUSE
	-SE-		Shorted key
	E-27		oven sensor opened
	E-28		Oven sensor shorted
	E-08		Oven heating error
	E-0A		Oven heating over
E-0E	Door locking error		
The surface units will not maintain a rolling boil or will not cook fast enough.	Improper cookware is being used.	<ul style="list-style-type: none"> Use pans which are flat and match the diameter of the surface unit selected. 	
	In some areas, the power (voltage) may be low.	<ul style="list-style-type: none"> Cover the pan with a lid until the desired heat is obtained. 	
The surface units will not turn on.	A fuse in your home may be blown or the circuit breaker tripped.	<ul style="list-style-type: none"> Replace the fuse or reset the circuit breaker. 	
	The cooktop controls are set improperly.	<ul style="list-style-type: none"> Check to see the correct control is set for the surface unit you are using. 	
The surface unit stops glowing when changed to a lower setting.	This is normal. The unit is still on and hot.		

PROBLEM	POSSIBLE CAUSE	SOLUTION
Areas of discoloration on the cooktop	Food spillover was not cleaned.	<ul style="list-style-type: none"> Refer to the section on care and cleaning of the glass cooktop on page 33.
	The surface is hot and the model features a light-colored cooktop.	<ul style="list-style-type: none"> This is normal. The surface may appear discolored when it is hot. This is temporary and will disappear as the glass cools.
The surface unit frequently cycles on and off.	This is normal.	<ul style="list-style-type: none"> The element will cycle on and off to maintain the heat setting.
The oven will not turn on.	The range is not completely plugged into the electrical outlet.	<ul style="list-style-type: none"> Make sure the electrical plug is inserted into a live, properly grounded outlet.
	A fuse in your home may be blown or the circuit breaker tripped.	<ul style="list-style-type: none"> Replace the fuse or reset the circuit breaker.
	The oven controls have been set improperly.	<ul style="list-style-type: none"> See the chapter on operating the oven.
	The oven is too hot.	<ul style="list-style-type: none"> Allow the oven to cool.
The appliance will not turn on.	The appliance is not completely plugged into the electrical outlet or a fuse in your home may be blown or the circuit breaker tripped.	<ul style="list-style-type: none"> Make sure the power cord is plugged into a live, properly grounded outlet. Check the fuse and circuit breakers.
	Incomplete service wiring.	<ul style="list-style-type: none"> Call for service.
	Power outage.	<ul style="list-style-type: none"> Check to see if the house lights will turn on. If required, call your local electric company for service.
The oven light will not turn on.	The light bulb is loose or defective.	<ul style="list-style-type: none"> Tighten or replace the bulb.
	The switch operating light is broken.	<ul style="list-style-type: none"> Call for service.
Oven smokes excessively during broiling.	The control has not been set properly.	<ul style="list-style-type: none"> Refer to the section on setting oven controls. Make sure the oven door is opened to the broil stop position.
	The meat has been placed too close to the element.	<ul style="list-style-type: none"> Reposition the rack to provide proper clearance between the meat and the element. Preheat the broil element for searing.
	The meat has not been properly prepared.	<ul style="list-style-type: none"> Remove the excess fat from the meat. Cut away fatty edges that may curl, leaving the lean intact.
	The insert on the broiler pan has been positioned upside down, preventing the grease from draining.	<ul style="list-style-type: none"> Position the insert on the pan so that the ribs are up and the slots are down, allowing the grease to drip into the pan.
	Grease has built up on oven surfaces.	<ul style="list-style-type: none"> Regular cleaning is necessary when broiling frequently.
Food does not bake or roast properly.	The oven controls have not been set correctly.	<ul style="list-style-type: none"> See the chapter on operating the oven.
	The oven rack has been positioned incorrectly or is not level.	<ul style="list-style-type: none"> See the section on using the oven racks on page 19.
	Incorrect cookware or cookware of improper size being used.	
	The oven sensor needs to be adjusted.	<ul style="list-style-type: none"> See the section on adjusting the thermostat on page 25.

PROBLEM	POSSIBLE CAUSE	SOLUTION
Food does not broil properly.	The oven controls have been set incorrectly.	<ul style="list-style-type: none"> Press the BROIL pad.
	The rack has not been properly positioned.	<ul style="list-style-type: none"> See the broiling guide on page 24.
	Cookware not suited for broiling.	<ul style="list-style-type: none"> Use suitable cookware.
	Aluminum foil used on the broiling pan and grid has not been fitted properly and slit as recommended.	<ul style="list-style-type: none"> See the section on broiling on page 23.
	In some areas the power (voltage) may be low.	<ul style="list-style-type: none"> Preheat the broil element for 10 minutes. See the broiling guide on page 24.
The oven temperature is too hot or too cold.	The oven sensor needs to be adjusted.	<ul style="list-style-type: none"> See the section on adjusting the thermostat on page 25.
Scratches or abrasions on cooktop surface	The cooktop is being cleaned improperly.	<ul style="list-style-type: none"> Scratches are not removable. Tiny scratches will become less visible in time as a result of cleaning.
	Cookware with rough bottoms were used on the cooktop or there were coarse particles (eg. salt or sand) present between the cookware and the surface of the cooktop.	<ul style="list-style-type: none"> To avoid scratches, use the recommended cleaning procedures. Make sure bottoms of cookware are clean before use, and use cookware with smooth bottoms.
	Cookware has been slid across the cooktop surface.	
Brown streaks or specks	Boilovers have been cooked onto the surface.	<ul style="list-style-type: none"> Use the blade scraper to remove soil. See the section on care and cleaning of the glass cooktop on page 33.
Areas of discoloration with metallic sheen	Mineral deposits from water and food have been left on the surface of the cooktop.	<ul style="list-style-type: none"> Remove using a ceramic-glass cooktop cleaning cream. Use cookware with clean, dry bottoms.
The oven will not self-clean.	The oven temperature is too high to set a self-clean operation.	<ul style="list-style-type: none"> Allow the range to cool and reset the controls.
	The oven controls have been set incorrectly.	<ul style="list-style-type: none"> See the section on self-cleaning on page 28.
	A self-cleaning cycle cannot be started if the oven lockout feature has been activated or if a radiant surface element is on.	
“Crackling” or “popping” sound	This is the sound of the metal heating and cooling during both the cooking and cleaning functions.	<ul style="list-style-type: none"> This is normal.
Excessive smoking during a self-cleaning cycle	There is excessive soiling in the oven.	<ul style="list-style-type: none"> Press the CLEAR/OFF pad. Open the windows to rid the room of smoke. Wait until the self-cleaning cycle is cancelled. Wipe up the excessive soil and reset the oven for self-cleaning.
The oven door will not open after a self-cleaning cycle.	The oven is too hot.	<ul style="list-style-type: none"> Allow the oven to cool.

PROBLEM	POSSIBLE CAUSE	SOLUTION
Oven not clean after a self-cleaning cycle	The oven controls were not set correctly.	<ul style="list-style-type: none"> • See the section on self-cleaning on page 28.
	The oven was heavily soiled.	<ul style="list-style-type: none"> • Wipe up heavy spillovers before starting the self-cleaning cycle. Heavily soiled ovens may need to self-clean again or for a longer period of time.
Steam from the vent	When using the convection feature, it is normal to see steam coming out of the oven vent.	<ul style="list-style-type: none"> • This is normal.
	As the number of racks or amount of food being cooked increases, the amount of visible steam will increase.	
Burning or oily odor emitting from the vent	This is normal in a new oven and will disappear in time.	<ul style="list-style-type: none"> • To speed the process, set a self-cleaning cycle for a minimum of 3 hours. • See the section on self-cleaning on page 28.
Strong odor	An odor from the insulation around the inside of the oven is normal for the first few times the oven is used.	<ul style="list-style-type: none"> • This is temporary.
Oven racks are difficult to slide.	The shiny, silver-colored racks were cleaned in a self-cleaning cycle.	<ul style="list-style-type: none"> • Apply a small amount of vegetable oil to a paper towel and wipe the edges of the oven racks with the paper towel.
Display goes blank.	A fuse in your home may be blown or the circuit breaker tripped.	<ul style="list-style-type: none"> • Replace the fuse or reset the circuit breaker.
Display flashes.	There was a power failure.	<ul style="list-style-type: none"> • Reset the clock.
Drawer does not slide smoothly or drags.	The drawer is out of alignment.	<ul style="list-style-type: none"> • Fully extend the drawer and push it all the way in. See the page 36.
	The drawer is over-loaded or the load is unbalanced.	<ul style="list-style-type: none"> • Reduce weight. Redistribute drawer contents.

warranty

PLEASE DO NOT DISCARD THIS REPLACES THE WARRANTY PAGE IN THE USE & CARE GUIDE

SAMSUNG ELECTRIC RANGE

LIMITED WARRANTY TO ORIGINAL PURCHASER

This SAMSUNG brand product, as supplied and distributed by SAMSUNG ELECTRONICS CANADA INC. (SAMSUNG) and delivered new, in the original carton to the original consumer purchaser, is warranted by SAMSUNG against manufacturing defects in materials and workmanship for a limited warranty period of:

One (1) Year Parts and Labor, Five (5) Years Parts Warranty For Glass Cooktop and Radiant Surface Unit

During this limited additional four-year warranty, you will be responsible for any labor or in-home service.

This limited warranty begins on the original date of purchase, and is valid only on products purchased and used in Canada. To receive warranty service, the purchaser must contact SAMSUNG for problem determination and service procedures. Warranty service can only be performed by a SAMSUNG authorized service center, and any unauthorized service will void this warranty. The original dated bill of sale must be presented upon request as proof of purchase to SAMSUNG or SAMSUNG's authorized service center. Samsung will provide in-home service during the one (1) year warranty period at no charge subject to availability within Canada. In-home service is not available in all areas. To receive in-home service, the product must be unobstructed and accessible to the service agent. If service is not available, Samsung may elect to provide transportation of the product to and from an authorized service center.

SAMSUNG will repair or replace this product, at our option and at no charge as stipulated herein, with new or reconditioned parts or products if found to be defective during the limited warranty period specified above. All replaced parts and products become the property of SAMSUNG and must be returned to SAMSUNG. Replacement parts and products assume the remaining original warranty, or ninety (90) days, whichever is longer.

This limited warranty shall not cover cases of incorrect electric current, voltage or supply, light bulbs, house fuses, house wiring, cost of a service call for instructions, or fixing installation errors. Furthermore, damage to the glass cooktop caused by the use of cleaners other than the recommended cleaners and pads, damage to the glass cooktop caused by hardened spills of sugary materials or melted plastic that are not cleaned according to the directions in the use and care guide are not covered. SAMSUNG does not warrant uninterrupted or error-free operation of the product.

EXCEPT AS SET FORTH HEREIN THERE ARE NO WARRANTIES OR CONDITIONS ON THIS PRODUCT EITHER EXPRESS OR IMPLIED AND SAMSUNG DISCLAIMS ALL WARRANTIES AND CONDITIONS INCLUDING, BUT NOT LIMITED TO, ANY IMPLIED WARRANTIES AND CONDITIONS OF MERCHANTABILITY, INFRINGEMENT OR FITNESS FOR A PARTICULAR PURPOSE. NO WARRANTY OR GUARANTEE GIVEN BY ANY PERSON, FIRM OR CORPORATION WITH RESPECT TO THIS PRODUCT SHALL BE BINDING ON SAMSUNG. SAMSUNG SHALL NOT BE LIABLE FOR LOSS OF REVENUE OR PROFITS, FAILURE TO REALIZE SAVINGS OR OTHER BENEFITS, OR ANY OTHER GENERAL, INDIRECT, SPECIAL, INCIDENTAL OR CONSEQUENTIAL DAMAGES CAUSED BY THE USE, MISUSE OR INABILITY TO USE THIS PRODUCT, REGARDLESS OF THE LEGAL THEORY ON WHICH THE CLAIM IS BASED, AND EVEN IF SAMSUNG HAS BEEN ADVISED OF THE POSSIBILITY OF SUCH DAMAGES. NOR SHALL RECOVERY OF ANY KIND AGAINST SAMSUNG BE GREATER IN AMOUNT THAN THE PURCHASE PRICE OF THE PRODUCT SOLD BY SAMSUNG AND CAUSING THE ALLEGED DAMAGE. WITHOUT LIMITING THE FOREGOING, PURCHASER ASSUMES ALL RISK AND LIABILITY FOR LOSS, DAMAGE OR INJURY TO PURCHASER AND PURCHASER'S PROPERTY AND TO OTHERS AND THEIR PROPERTY ARISING OUT OF THE USE, MISUSE OR INABILITY TO USE THIS PRODUCT. THIS LIMITED WARRANTY SHALL NOT EXTEND TO ANYONE OTHER THAN THE ORIGINAL PURCHASER OF THIS PRODUCT, IS NONTRANSFERABLE AND STATES YOUR EXCLUSIVE REMEDY.

Some jurisdictions do not allow limitations on how long an implied warranty lasts, or the exclusion or limitation of incidental or consequential damages, so the above limitations or exclusions may not apply to you. This warranty gives you specific legal rights, and you may also have other rights which vary from jurisdiction to jurisdiction.

To obtain warranty service, please contact SAMSUNG at:

**SAMSUNG ELECTRONICS CANADA INC.,
55 STANDISH COURT MISSISSAUGA ONTARIO, L5R 4B2
1-800-SAMSUNG (726-7864) and www.samsung.com/ca**



QUESTIONS OR COMMENTS?

COUNTRY	CALL	OR VISIT US ONLINE AT
IN THE US	1-800-SAMSUNG(726-7864)	www.samsung.com/us
IN CANADA	1-800-SAMSUNG(726-7864)	www.samsung.com/ca

DG68-00153A

FCQ321HTUX
FCQ321HTUB
FCQ321HTUW

Cuisinière électrique

Manuel d'utilisation

Un monde de possibilités

Merci d'avoir choisi ce produit Samsung. Afin de bénéficier du meilleur du service après-vente, enregistrez votre appareil sur le site suivant :

www.samsung.com/global/register



Caractéristiques de votre nouvelle cuisinière

Plus de commodité. Cuisson de meilleure qualité. Entretien facile. Votre nouvelle cuisinière électrique a été conçue pour vous offrir tous ces avantages et plus encore.

- **Nettoyage vapeur rapide**

Grâce à Steam Quick™, technologie Samsung unique en son genre destinée au nettoyage léger, conserver votre four dans un état de propreté impeccable est un jeu d'enfant : pas de tracas, pas d'odeur, pas de produits chimiques. Steam Quick™ nettoie l'intérieur de votre cuisinière à l'aide de vapeur haute température en l'espace de 20 minutes.

- **Plus d'espace**

Dotée d'une capacité de 5,7 pieds cubes, votre nouvelle cuisinière dispose d'un espace bien plus important que toutes les marques concurrentes présentes sur le marché américain. Il vous est désormais plus facile de cuisiner pendant les fêtes ou pour le plaisir.

- **Table de cuisson à 5 foyers**











Quatre foyers principaux, dont un avec réglage de la chaleur selon différentes tailles de plats.

Un foyer plus petit au centre de la table de cuisson pour maintenir les plats chauds.

Consignes de sécurité importantes

Lisez et suivez toutes les consignes avant d'utiliser votre four afin d'éviter tout risque d'incendie, d'électrocution, de blessure ou de dommage lors de l'utilisation de la cuisinière. Le présent guide ne couvre pas toutes les situations susceptibles de se produire. Contactez toujours votre réparateur ou le fabricant en cas de fonctionnement anormal de l'appareil.

SYMBOLES DE SECURITE

	AVERTISSEMENT : ce symbole indique un danger ou une utilisation dangereuse pouvant provoquer des blessures graves, voire mortelles.
	ATTENTION : ce symbole indique un danger ou une utilisation dangereuse pouvant provoquer des blessures ou des dégâts matériels.
	Ne tentez pas d'utiliser l'appareil.
	Ne démontez pas l'appareil.
	Ne touchez pas.
	Suivez scrupuleusement les consignes.
	Débranchez la prise murale.
	Assurez-vous que la machine est reliée à la terre afin d'éviter tout choc électrique.
	Contactez le service d'assistance technique.
	Remarque

DISPOSITIF ANTI-BASCULEMENT

- ★ **AVERTISSEMENT-** Afin d'éviter tout risque de basculement de la cuisinière, cette dernière devra être fixée à l'aide d'un dispositif anti-basculement correctement installé. Reportez-vous au manuel d'installation pour plus d'instructions.



AVERTISSEMENT

TOUTES LES CUISINIÈRES SONT SUSCEPTIBLES DE BASCULER ET DE PROVOQUER DES BLESSURES



**INSTALLEZ LE DISPOSITIF ANTI-BASCULEMENT LIVRE AVEC LA CUISINIÈRE
SUIVEZ TOUTES LES INSTRUCTIONS D'INSTALLATION**

- ☐ **Ne marchez pas, ne vous appuyez pas et ne vous asseyez pas sur les portes de la cuisinière.** Dans le cas contraire, la cuisinière est susceptible de basculer et de provoquer des brûlures et des blessures graves.
- ★ Vérifiez que le dispositif anti-basculement est correctement installé. Puis, saisissez le bord supérieur à l'arrière de la cuisinière et essayez prudemment de l'incliner vers l'avant. Vérifiez que le dispositif anti-basculement est emboîté.
Si vous devez, pour une quelconque raison, retirer la cuisinière du mur, assurez-vous de bien emboîter le dispositif lorsque vous remettez la cuisinière en place contre le mur. Si le dispositif n'est pas en place correctement, la cuisinière risque de basculer et de provoquer des blessures si une personne ou un enfant marche, s'assoit ou s'appuie sur la porte ouverte.

POUR VOTRE SECURITE

Lorsque vous utilisez des appareils électriques, respectez les consignes de sécurité de base suivantes :

- ❗ Utilisez ce four uniquement pour l'usage auquel il est destiné, tel que décrit dans ce manuel d'utilisation.

Les surfaces potentiellement chaudes comprennent la table de cuisson, les zones faisant face à la table de cuisson, l'orifice de ventilation du four, les surfaces situées à proximité de cette ouverture, les rainures situées autour de la porte du four.

- 🔧 Assurez-vous que votre appareil est correctement installé et mis à la terre par un technicien qualifié.

- 🔧 **Dépannage utilisateur** - Ne réparez et ne remplacez pas les pièces de l'appareil, sauf en cas de recommandation spécifique dans le présent manuel. Toute autre réparation devra être effectuée par un technicien qualifié.

- 🔧 Eteignez toujours l'appareil avant de procéder à une réparation, en retirant le fusible ou en coupant le disjoncteur.

- 🚫 **Ne pénétrez pas à l'intérieur du four.**

Ne rangez pas d'objet susceptible d'intéresser les enfants dans un élément situé au-dessus ou sur le dossier de la cuisinière. Les enfants risquent, en grimpant sur la cuisinière, de se blesser gravement.

Ne laissez pas les enfants seuls. Les enfants ne doivent pas être laissés sans surveillance à un endroit où l'appareil est utilisé. Ne les autorisez jamais à s'asseoir ou à marcher sur une quelconque partie de l'appareil.

N'utilisez jamais l'appareil pour chauffer une pièce.

N'utilisez pas d'eau pour éteindre les flammes de friture. Eteignez le four pour éviter leur propagation. Etouffez le feu en fermant la porte ou en utilisant un agent chimique en poudre, du bicarbonate de soude ou un extincteur à mousse.

- ★ **Stockage à l'intérieur ou sur le dessus de l'appareil.** Ne stockez pas de produits inflammables dans le four ou à proximité des éléments de cuisson. Retirez tous les éléments d'emballage de l'appareil avant de l'utiliser. Maintenez tout objet en plastique, vêtement et papier à distance des pièces susceptibles d'être chaudes.

Portez les vêtements appropriés. Evitez de porter des vêtements amples et des accessoires pendants lorsque vous utilisez l'appareil.

Utilisez uniquement des maniques sèches. L'utilisation de maniques humides ou mouillées sur des surfaces chaudes peut entraîner des brûlures par la vapeur. Les maniques ne doivent pas entrer en contact avec les éléments chauffants. N'utilisez pas de serviette ou tout autre torchon volumineux.

Apprenez aux enfants à ne pas jouer avec les commandes ou les autres éléments de la cuisinière.

TABLE DE CUISSON

☒ **Ne laissez jamais la table de cuisson sans surveillance lorsqu'un foyer fonctionne à puissance élevée.** En cas de débordement, les particules grasses provenant des aliments risquent de s'enflammer.
Ne soulevez pas la table de cuisson. Soulever la table de cuisson peut provoquer des dommages et un dysfonctionnement de la cuisinière.

Ne vous servez pas de la surface de cuisson lorsque aucun récipient ne se trouve dessus. Une telle situation risque d'entraîner une surchauffe du bouton de commande.

N'utilisez jamais la table de cuisson vitrée comme planche à découper.

★ **Soyez prudent lorsque vous touchez la table de cuisson.** La surface vitrée de la table de cuisson conserve la chaleur après l'arrêt de la cuisson.

Soyez prudent lorsque vous posez des cuillères ou des ustensiles sur la table de cuisson alors que cette dernière est allumée. Ils pourraient devenir chauds et provoquer des brûlures.

Utilisez des plats de taille appropriée. La cuisinière est dotée de foyers de différentes tailles. Utilisez des ustensiles à fonds plats, suffisamment larges pour couvrir le foyer. L'utilisation d'ustensiles de taille trop petite exposerait une partie de l'élément à vide et entraînerait une inflammation des matières textiles. L'utilisation d'ustensiles de taille adaptée aux foyers permet également une cuisson plus efficace.

Ustensiles de cuisson en faïence. Seuls certains ustensiles en verre, vitrocéramique, céramique, terre cuite ou faïence peuvent être utilisés sur cette table de cuisson sans risque de fêlure lié au changement brusque de température.

Les manches des ustensiles devront être dirigés vers l'intérieur et non au-dessus des foyers adjacents. Afin de réduire tout risque de brûlure, d'inflammation de matières inflammables et de projections dû à un contact accidentel avec l'ustensile, dirigez le manche de l'ustensile vers l'intérieur et non au-dessus des foyers adjacents.

Lisez et suivez toutes les instructions et avertissements figurant sur les étiquettes des produits nettoyants.

Assurez-vous que vous savez quel bouton de commande correspond à chaque foyer. Veillez à allumer le foyer approprié.

Eteignez toujours le foyer avant de retirer la casserole.

Si vous préparez des aliments qui s'enflamment sous la hotte, activez la ventilation.

Surveillez les aliments frits à température élevée ou moyenne.

PRISES DE L'APPAREIL

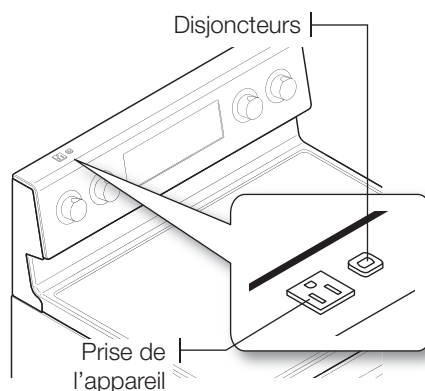
Les prises 120 V situées sur le tableau de commande de l'appareil servent à alimenter des appareils portables placés sur un plan de travail à côté de la cuisinière.

Ces prises fonctionnent de manière indépendante et ne sont pas affectées par les réglages de la cuisinière.


☒ Ne placez pas d'appareils sur la table de cuisson. Vos appareils pourraient être endommagés si la table de cuisson est chaude.

☒ **Disjoncteurs des prises de l'appareil.** Les disjoncteurs des prises de votre cuisinière sont situés dans la partie supérieure du tableau de commande. La tension nominale est de 15 ampères et le dispositif disjuncte si la puissance de l'appareil branché dépasse les 15 ampères. Pour réinitialiser le disjoncteur, actionnez le commutateur situé sur le tableau de commande.

★ Si la prise ne fonctionne pas, testez votre petit appareil en le branchant sur une autre prise.



FOUR

 **NE TOUCHEZ PAS LES ELEMENTS CHAUFFANTS OU LES SURFACES INTERNES DU FOUR.** Les éléments chauffants peuvent être chauds même s'ils sont noirs. Les surfaces internes d'un four deviennent suffisamment chaudes pour provoquer des brûlures. Pendant et après le fonctionnement, ne touchez pas les éléments chauffants et les surfaces internes du four ou ne laissez aucun vêtement ou produit inflammable entrer en contact avec ces derniers tant qu'ils ne sont pas refroidis. Certaines autres surfaces du four peuvent devenir chaudes au point de provoquer des brûlures. Il s'agit des orifices de ventilation du four et des surfaces situées à proximité de ces orifices, des portes du four et de leurs vitres.

Ne faites pas chauffer des aliments contenus dans des récipients fermés. L'accumulation de pression pourrait entraîner l'explosion du récipient et provoquer des blessures.

N'utilisez pas le four pour sécher des journaux. S'ils sont surchauffés, ils risquent de s'enflammer.

N'utilisez pas le four comme espace de rangement. Les éléments rangés dans le four peuvent s'enflammer.

 **Soyez prudent lorsque vous ouvrez la porte.** Laissez l'air chaud ou la vapeur s'échapper avant de retirer les aliments du four ou de les remettre.

Couches protectrices. N'utilisez pas de papier d'aluminium pour recouvrir la sole du four, sauf si les instructions le suggèrent. Une installation inappropriée de ces couches protectrices est susceptible de provoquer une décharge électrique ou un incendie.

N'obstruez pas les conduits de ventilation du four. La ventilation du four se situe au-dessus du foyer arrière droit. Cette zone peut devenir très chaude lors de l'utilisation du four. N'obstruez jamais cette ouverture et n'y placez pas de matière plastique ou d'éléments sensibles à la chaleur.

Insertion des grilles du four. Placez toujours les grilles du four à la hauteur appropriée tant que le four est encore froid. Si la grille doit être retirée pendant que le four est chaud, évitez que la manique n'entre en contact avec l'élément chauffant utilisé.

 Le papier d'aluminium ou la sonde thermique ne doit pas entrer en contact avec les éléments chauffants.

FOURS AUTO-NETTOYANTS

 **Ne nettoyez pas le joint de la porte.** Le joint de la porte est indispensable pour assurer une bonne étanchéité. Veillez à ne pas frotter, endommager ou déplacer le joint.

 **Ne laissez jamais vos oiseaux de compagnie dans la cuisine.** Les oiseaux sont extrêmement sensibles à la fumée émise durant les cycles d'auto-nettoyage du four. La fumée peut être dangereuse, voire mortelle, pour les oiseaux. Déplacez les oiseaux dans une pièce bien aérée.

Procédez uniquement au cycle d'auto-nettoyage des parties mentionnées dans le manuel. Avant de procéder à l'auto-nettoyage du four, retirez la lèchefrite, la grille, les ustensiles et les aliments.

Aucun nettoyant ou revêtement de protection pour four disponible dans le commerce ne doit être utilisé pour l'intérieur ou l'extérieur du four. Utilisez uniquement un nettoyant pour surface de cuisson en céramique ou le nettoyant fourni avec l'appareil pour le nettoyage de la table de cuisson vitrée.

Retirez les grilles en nickel avant de démarrer le cycle d'auto-nettoyage du four. Dans le cas contraire, elles risquent de se décolorer.

Si le mode d'auto-nettoyage ne fonctionne pas, éteignez le four et débranchez-le de la prise d'alimentation. Faites-le réparer par un technicien qualifié.

HOTTE D'ASPIRATION

- ★ **Nettoyez fréquemment la hotte d'aspiration.** Ne laissez pas la hotte ou le filtre s'encrasser.
Si les aliments sous la hotte s'enflamment, activez la ventilation.

TABLE DE CUISSON EN VITROCERAMIQUE

- ☐ **NE TOUCHEZ PAS LES FOYERS OU LES ZONES SITUEES A PROXIMITE.** Les éléments de la table de cuisson peuvent être chauds même s'ils sont noirs. Les zones situées à proximité des éléments peuvent devenir chaudes au point de provoquer des brûlures. Pendant et après le fonctionnement, ne touchez pas les foyers et les zones situées à proximité des foyers et évitez que des vêtements ou produits inflammables n'entrent en contact avec ces derniers tant qu'ils n'ont pas refroidi. Ces zones comportent la table de cuisson et les zones face à la table de cuisson.
Ne faites rien cuire sur une table de cuisson brisée. Si la table de cuisson se brise, les solutions de nettoyage et les éclaboussures sont susceptibles de pénétrer par la surface brisée et de créer un risque d'électrocution. Contactez immédiatement un technicien qualifié.
- ★ **Nettoyez la table de cuisson avec précaution.** Si vous utilisez une éponge ou un chiffon humide pour essuyer les salissures sur une table de cuisson chaude, veillez à ne pas vous brûler avec la vapeur. Certains nettoyeurs peuvent produire des fumées toxiques s'ils sont appliqués sur une surface chaude.

AVANT DE L'UTILISER

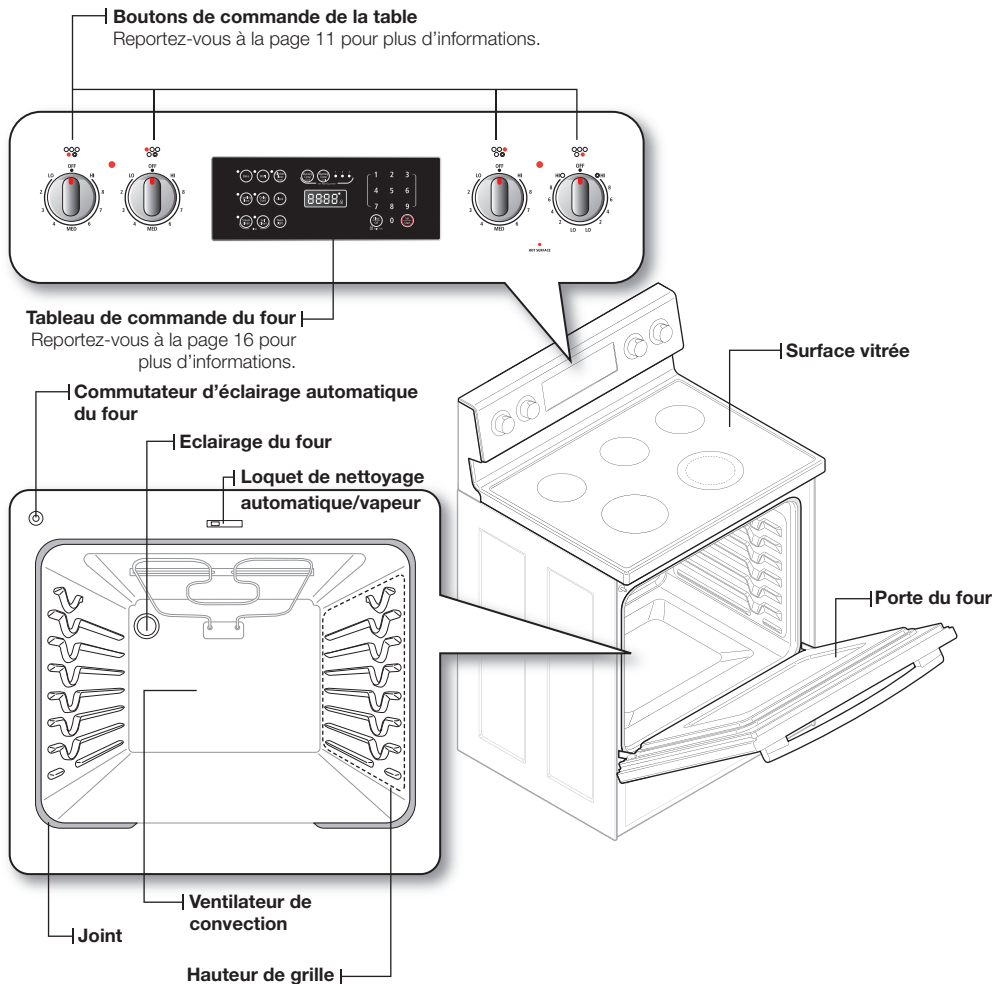
- ★ **Nettoyez soigneusement le four avant de l'utiliser pour la première fois.** Retirez les accessoires et faites fonctionner le four en mode cuisson sur 400°F pendant 1 heure avant de l'utiliser. Il est normal qu'une odeur caractéristique se dégage lors de cette opération préliminaire ; toutefois, assurez-vous de bien aérer votre cuisine pendant ce temps.

Sommaire

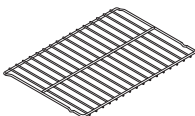
PRÉSENTATION DE VOTRE NOUVELLE CUISINIÈRE	9	Présentation
	9	Accessoires fournis
9		
TABLE DE CUISSON	10	A propos de la table de cuisson
	12	Comment régler la cuisinière pour utiliser la table de cuisson ?
10	14	Utilisation des ustensiles de cuisine appropriés
	14	Choix des ustensiles de cuisine appropriés
	15	Protection de la surface lisse
UTILISATION DU FOUR	16	Tableau de commande du four
	17	Réglage de l'horloge
16	18	Réglages minimum et maximum
	18	Réglage de la minuterie
	19	Utilisation des grilles du four
	20	Cuisson
	21	Cuisson minutée
	22	Cuisson minutée différée
	23	Cuisson au gril
	26	Fonctions complémentaires
ENTRETIEN DE VOTRE APPAREIL	30	Auto-nettoyage
	32	Nettoyage vapeur
30	33	Entretien et nettoyage du four
	35	Entretien et nettoyage de la table de cuisson vitrée
	37	Retrait et remise en place de la porte du four
	38	Etrait et remise en place du tiroir de rangement
	39	Remplacement de l'ampoule du four
DÉPANNAGE	40	Dépannage
40		
GARANTIE	45	
45		

Présentation de votre nouvelle cuisinière

PRÉSENTATION



ACCESSOIRES FOURNIS



Grilles métalliques

Table de cuisson

A PROPOS DE LA TABLE DE CUISSON



AVANT LA CUISSON

- N'utilisez pas la table de cuisson vitrée comme planche à découper.
- Ne placez et ne rangez rien qui soit susceptible de fondre ou de s'enflammer sur la surface vitrée, même si elle n'est pas utilisée.
- Allumez les foyers uniquement après y avoir placé la casserole.
- Ne stockez pas d'objets lourds au-dessus de la table de cuisson. Ils pourraient tomber et l'endommager.



PENDANT LA CUISSON

- Ne placez pas de papier d'aluminium ou d'objet en plastique tel que salières et poivrières, porte-cuillères ou emballages en plastique sur la cuisinière lorsque vous l'utilisez. L'air chaud provenant de l'orifice de ventilation risque de faire fondre le plastique ou d'enflammer les objets.
- Assurez-vous que le foyer correct est allumé.
- Ne faites jamais cuire les aliments directement sur la surface vitrée. Utilisez toujours un récipient.
- Veillez à toujours centrer la casserole sur le foyer que vous utilisez.
- Ne laissez jamais les foyers sans surveillance lorsque vous utilisez une température élevée. En cas de débordement, les particules grasses provenant des aliments risquent de s'enflammer.
- Eteignez les foyers avant de retirer la casserole.
- Ne couvrez pas les aliments de film plastique. Le plastique risque de fondre sur la surface et de s'avérer très difficile à nettoyer.



APRES LA CUISSON

- Ne touchez pas les foyers avant qu'ils n'aient refroidi.
- Le foyer peut encore être chaud et vous risquez de vous brûler si vous touchez la surface vitrée avant qu'elle n'ait suffisamment refroidi.
- Nettoyez immédiatement les éclaboussures de la table de cuisson afin d'éviter qu'elles ne s'incrustent et soient difficiles à nettoyer.
- Si un placard de rangement est installé directement au-dessus de la table de cuisson, assurez-vous que les éléments rangés sont rarement utilisés et qu'ils peuvent être rangés en toute sécurité dans un endroit soumis à la chaleur. La chaleur peut s'avérer dangereuse dans le cas de liquides volatils, de nettoyeurs ou de produits en aérosol.

A propos des foyers radiants

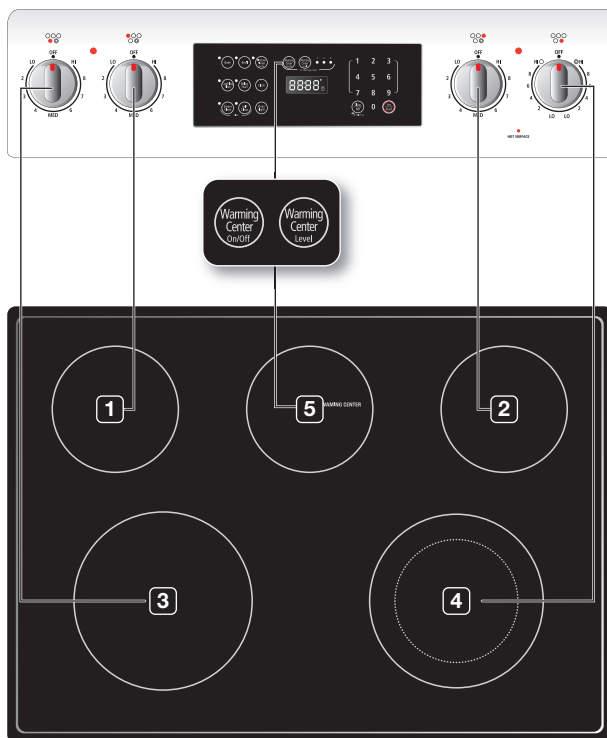
La température augmente de manière progressive et uniforme. A mesure que la température augmente, le foyer radiant devient rouge. Afin que soit conservé le réglage sélectionné, l'élément se met en marche et s'arrête alternativement. L'élément chauffant conserve assez de chaleur pour fournir une température uniforme et constante durant le cycle de désactivation. Pour une cuisson efficace, éteignez l'élément chauffant quelques minutes avant la fin de la cuisson. Ainsi, la chaleur résiduelle permet de terminer le processus de cuisson.



Les foyers radiants sont équipés d'un limiteur leur permettant de s'allumer et de s'éteindre, même avec le réglage HI (Elevé). Cela permet d'éviter toute détérioration de la surface de cuisson en céramique. L'activation et la désactivation pendant le réglage HI (Elevé) sont normales et se produisent si la casserole est trop petite pour le foyer radiant utilisé ou si le fond de la casserole n'est pas plat.

Emplacement des foyers radiants et des commandes

Les boutons de commande permettent d'activer les foyers radiants de la table de cuisson comme indiqué ci-dessous.



1. **Élément unique** : arrière gauche
2. **Élément unique** : arrière droit
3. **Élément unique** : avant gauche
4. **Élément double** : avant droit
5. **Zone chauffe-plat** : arrière centre

Témoin de surface chaude



- S'allume lorsque la surface est allumée ou est chaude au toucher.
- Reste allumé même après la mise hors tension du foyer.
- Reste allumé jusqu'à ce que la surface descende à environ 150°F.

Zones de cuisson

- Les zones de cuisson de votre cuisinière sont matérialisées par des cercles permanents sur la table de cuisson vitrée. Pour une cuisson plus efficace, utilisez des récipients de même taille que les foyers.
- **Les récipients ne doivent pas dépasser de plus de 1/2" à 1" la zone de cuisson.**
- Lorsqu'un bouton est activé, une lueur est visible à travers la table de cuisson vitrée. **L'élément s'allume et s'éteint alternativement afin de maintenir la chaleur prééglée, même lorsque le réglage de température est élevé.**
- Pour plus d'informations sur la sélection des ustensiles de cuisine appropriés, reportez-vous au chapitre « Utilisation des ustensiles de cuisine appropriés », page 14.

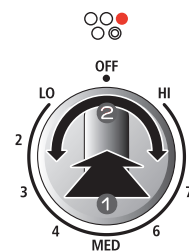
COMMENT RÉGLER LA CUISINIÈRE POUR UTILISER LA TABLE DE CUISSON ?



- Les foyers de la table de cuisson peuvent être chauds et provoquer des brûlures. Ne touchez pas les foyers avant qu'ils n'aient suffisamment refroidi.
- Ne laissez jamais la cuisson sans surveillance à température élevée ou moyennement élevée. En cas de débordement, les particules grasses provenant des aliments risquent de s'enflammer.
- Veillez à tourner le bouton de commande sur **OFF (DESACTIVE)** à la fin de la cuisson.
- La zone située entre le réglage élevé et désactivé n'est pas adaptée à la cuisson.

Bouton de commande de l'élément unique (arrière gauche, arrière droit, avant gauche)

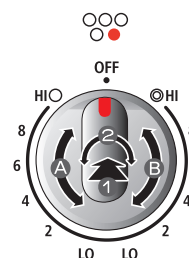
1. Enfoncez le bouton.
 2. Tournez dans l'une ou l'autre direction selon le réglage souhaité.
- Sur les positions off (désactivé) et high (élevé), un déclic est émis.



Bouton de commande de l'élément double (avant droite)

L'élément de surface double est doté de deux tailles de cuisson de manière à adapter la taille de l'élément à celle du récipient utilisé.

1. Enfoncez le bouton.
 2. Tournez dans l'une ou l'autre direction selon le réglage souhaité.
- Pour utiliser le petit élément, tournez le bouton de commande sur le réglage correspondant au **petit foyer (A)**.
 - Pour utiliser le grand élément, tournez le bouton de commande sur le réglage correspondant au **grand foyer (B)**.



 Lorsque vous passez du réglage d'une température élevée à celui d'une température faible, l'élément de surface redevient noir. Ce phénomène est tout à fait normal.

Réglages recommandés

REGLAGE	TYPE DE CUISSON
ELEVE	Démarrer la cuisson de la plupart des aliments, amener l'eau à ébullition, griller dans une poêle
MOYENNEMENT ELEVE	Griller rapidement à la poêle, frire, frire dans un bain d'huile
MOYEN	Maintenir à faible ébullition, épaissir des sauces, cuire des légumes à la vapeur
MOYENNEMENT FAIBLE	Poursuivre la cuisson, pocher, faire mijoter
FAIBLE	Maintenir au chaud, faire fondre, cuire doucement

Utilisation de la zone chauffe-plat

La **zone chauffe-plat**, située dans la partie centrale arrière de la surface vitrée, conserve les aliments cuits à température de consommation.



- **La zone chauffe-plat ne devient pas rouge comme les autres foyers.**



ATTENTION

- Ne réchauffez pas les aliments pendant plus de deux heures sur la zone chauffe-plat.
- Utilisez uniquement des ustensiles et plats recommandés pour une utilisation sûre dans le four et sur la table de cuisson.
- Utilisez toujours des maniques ou des gants lorsque vous retirez les aliments de la zone chauffe-plat, car les ustensiles et les plats restent chauds.
- Lorsque vous faites chauffer des pâtisseries et du pain, ménagez une ouverture dans le couvercle afin de permettre à la vapeur de s'échapper.
- Ne couvrez pas les aliments de film plastique. Le plastique risquerait de fondre sur la surface et de s'avérer très difficile à nettoyer.
- Il est recommandé de conserver les aliments dans leurs récipients et recouverts d'un couvercle ou d'un papier d'aluminium afin d'en conserver tout le goût.
- Les aliments doivent être déjà chauds. La consommation d'aliments crus ou froids placés sur la zone chauffe-plat risque de vous rendre malade.

1. Allumez la zone chauffe-plat.

Appuyez sur la touche **WARMING CENTER ON/OFF (ACTIVATION/DESACTIVATION DE LA ZONE CHAUFFE-PLAT)**.



2. Sélectionnez la puissance de votre choix.

Appuyer une fois sur la touche **WARMING CENTER LEVEL (NIVEAU DE LA ZONE CHAUFFE-PLAT)** permet de régler le niveau sur 1. Appuyez deux fois sur la touche pour régler le niveau 2 et trois fois pour régler le niveau 3.



3. Eteignez la zone chauffe-plat.

Appuyez sur la touche **WARMING CENTER ON/OFF (ACTIVATION/DESACTIVATION DE LA ZONE CHAUFFE-PLAT)**.



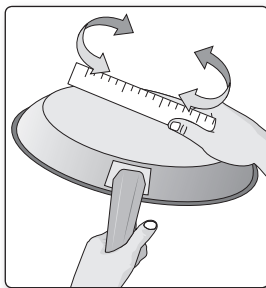
- Appuyer sur la touche **CLEAR/OFF (EFFACER/ARRET)** ne permet pas d'éteindre la zone chauffe-plat.

Réglages recommandés


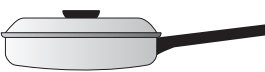
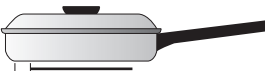
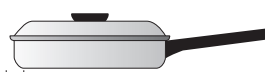

NIVEAU	TYPE D'ALIMENTS
1	Pains/pâtisseries, plats mijotés, sauces, œufs
2	Assiettes-repas, soupes (veloutés), légumes, sauces, ragoûts, viandes
3	Aliments frits, soupes (bouillons), boissons chaudes

UTILISATION DES USTENSILES DE CUISINE APPROPRIÉS

L'utilisation de l'ustensile de cuisine approprié permet d'éviter de nombreux problèmes tels qu'une cuisson inégale ou un temps de cuisson trop long. Utiliser une casserole adaptée permet de réduire les temps de cuisson et de cuire uniformément les aliments.



Vérifiez que le fond de la casserole est plat en y faisant tourner une règle.

APPROPRIE	NON APPROPRIE
 <p>Fond plat et côtés droits.</p> <ul style="list-style-type: none"> • Couvercles hermétiques. • Le poids du manche ne fait pas incliner la casserole. • Casserole bien équilibrée. • La taille de la casserole est adaptée à la quantité d'aliments à préparer et à la taille du foyer. • Matériau permettant une bonne conduction de la chaleur. • Le diamètre du récipient doit toujours correspondre à celui du foyer. 	 <p>Fond de casserole bombé et déformé.</p>  <p>La casserole dépasse le foyer de plus d'un pouce et demi.</p>  <p>La casserole est plus petite que le foyer.</p>  <p>Le manche fait incliner la casserole.</p>

CHOIX DES USTENSILES DE CUISINE APPROPRIÉS

Le matériau de l'ustensile de cuisine assure que la chaleur émise par le foyer se propage uniformément et rapidement au fond de la casserole.

- **ALUMINIUM** - Excellent conducteur thermique. Certains types d'aliments font noircir l'aluminium (Les ustensiles en aluminium anodisé résistent aux taches et aux piqûres). Si vous faites glisser des casseroles en aluminium sur la table de cuisson en céramique, des traces métalliques semblables à des rayures peuvent apparaître. Retirez ces traces immédiatement.
- **CUIVRE** - Excellent conducteur thermique mais se décolore facilement. Peut laisser des traces métalliques sur la vitrocéramique (voir ci-dessus).
- **ACIER INOXYDABLE** - Conducteur thermique lent entraînant une cuisson inégale. Durable, facile à nettoyer et résistant aux taches.
- **FONTE** - Mauvais conducteur, conserve bien la chaleur. La cuisson n'est uniforme qu'une fois la température de cuisson atteinte. Son utilisation n'est pas recommandée pour les surfaces de cuisson en céramique.
- **CASSEROLE EMAILLEE** - Les caractéristiques de chauffage varient en fonction du matériau de base. Les revêtements en émail vitrifié doivent être lisses afin d'éviter de rayer les surfaces de cuisson en céramique.
- **VERRE** - Conducteur thermique lent. Son utilisation n'est pas recommandée sur les surfaces de cuisson en céramique car il peut rayer la surface.

PROTECTION DE LA SURFACE LISSE

Nettoyage

- Nettoyez la table de cuisson avant de l'utiliser pour la première fois.
- Nettoyez votre table de cuisson quotidiennement ou après chaque utilisation. Ainsi, vous conserverez votre table de cuisson en bon état et éviterez les dommages.
- Si la casserole déborde durant la cuisson, nettoyez immédiatement la zone de cuisson tant qu'elle est chaude afin d'éviter un nettoyage ultérieur plus ardu. Nettoyez prudemment les éclaboussures à l'aide d'un chiffon sec.
- Évitez qu'elles ne restent trop longtemps sur la zone de cuisson ou la garniture de la surface de cuisson.
- **N'utilisez pas** de poudre à récurer ou de tampon abrasif qui risquerait de rayer la table de cuisson.
- **N'utilisez pas** d'agent de blanchiment chloré, d'ammoniac ou de nettoyeur non recommandé pour une utilisation sur une surface en vitrocéramique.

Prévention des traces et des rayures

- N'utilisez pas d'ustensiles en verre. Ils sont susceptibles de rayer la table de cuisson.
- **Ne placez pas** de grille ou d'anneau wok entre la table de cuisson et la casserole. Ces accessoires sont susceptibles de marquer ou de rayer la surface de cuisson.
- Assurez-vous que la table de cuisson et le fond de la casserole sont propres.
- **Ne faites pas** glisser de casseroles en métal sur la table de cuisson.

Prévention des taches

- **N'utilisez pas** de torchon ou d'éponge sale pour nettoyer la surface de cuisson. Un film subsisterait, provoquant des taches sur la table de cuisson après son chauffage.
- Si vous continuez d'utiliser la table de cuisson alors que celle-ci est sale, les taches deviennent définitives.

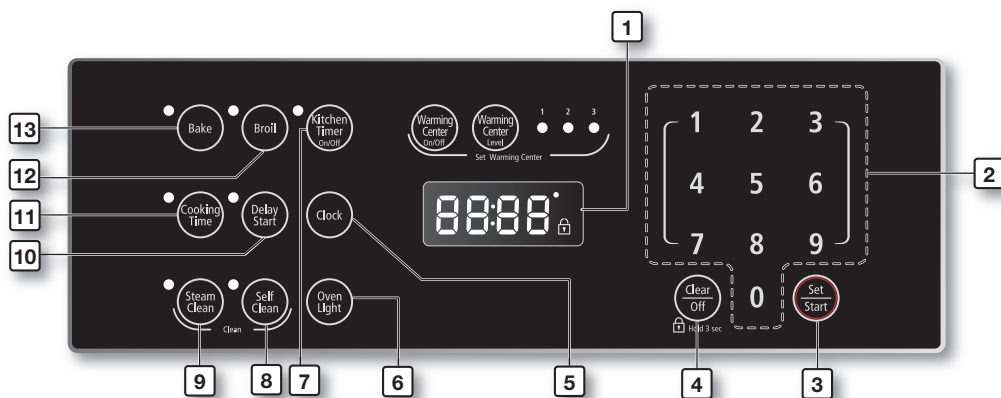
Prévention d'autres dommages

- Évitez de laisser du plastique, du sucre ou des aliments à forte teneur en sucre fondre sur la table de cuisson chaude. Si cela se produit, nettoyez-la immédiatement.
- Ne laissez pas une casserole bouillir jusqu'à évaporation complète. La table de cuisson et la casserole en seraient endommagées.
- **Ne cuisez pas** les aliments directement sur la table de cuisson, sans ustensile adéquat.

Utilisation du four

TABLEAU DE COMMANDE DU FOUR

LISEZ ATTENTIVEMENT LES CONSIGNES D'UTILISATION AVANT DE VOUS SERVIR DU FOUR. Afin de profiter au mieux de votre four, familiarisez-vous avec les fonctionnalités décrites ci-dessous. **Vous trouverez un descriptif détaillé de chaque fonction et de chaque caractéristique plus loin dans ce manuel.**



- 1. AFFICHAGE :** indique l'heure, la température du four, si le four est en mode Bake (Cuisson), Broil (Gril) ou Self-cleaning (Auto-nettoyage) et les temps réglés pour la minuterie ou le fonctionnement automatique.
- 2. PAVÉ NUMÉRIQUE :** sert à régler les fonctions à l'aide de chiffres, notamment l'heure de l'horloge, la minuterie, la température du four, l'heure de début et la durée de la cuisson programmée.
- 3. SET/START (RÉGLAGE/DÉPART) :** actionnez cette touche pour démarrer une fonction de cuisson ou de nettoyage.
- 4. CLEAR/OFF (EFFACER/ARRÊT) :** appuyez sur cette touche pour annuler tous les fonctionnements du four, hormis l'horloge, la minuterie et la zone chauffe-plat.
- 5. CLOCK (HORLOGE) :** appuyez sur cette touche pour régler l'heure.
- 6. OVEN LIGHT (ÉCLAIRAGE DU FOUR) :** appuyez pour allumer ou éteindre l'éclairage du four.
- 7. KITCHEN TIMER ON/OFF (ACTIVATION/DÉSACTIVATION DE LA MINUTERIE) :** actionnez pour sélectionner la minuterie.
- 8. SELF CLEAN (AUTO-NETTOYAGE) :** appuyez sur cette touche pour sélectionner la fonction d'auto-nettoyage.
- 9. STEAM CLEAN (NETTOYAGE VAPEUR) :** appuyez pour sélectionner la fonction de nettoyage vapeur.
- 10. DELAY START (DÉPART DIFFÉRÉ) :** utilisez cette touche en même temps que les touches Bake (Cuisson), Cooking Time (Temps de cuisson) et Self Clean (Auto-nettoyage) afin de régler le départ et l'arrêt automatiques du four à une heure définie.
- 11. COOKING TIME (TEMPS DE CUISSON) :** appuyez sur cette touche puis utilisez le pavé numérique et définir le temps de cuisson des aliments. Le four s'éteint une fois le temps de cuisson écoulé.
- 12. BROIL (GRIL) :** appuyez pour sélectionner la fonction Gril.
- 13. BAKE (CUISSON) :** appuyez pour sélectionner la fonction de cuisson.

RÉGLAGE DE L'HORLOGE

L'**horloge** doit être réglée sur l'heure correcte afin que la minuterie automatique du four fonctionne correctement.

- L'heure ne peut pas être modifiée durant la cuisson minutée, la cuisson minutée différée ou le cycle d'auto-nettoyage.
- Vous pouvez afficher l'heure au format 12 ou 24 heures. Par défaut, l'heure s'affiche au format 12 heures.

Comment régler l'horloge ?

1. Démarrez le réglage.

Appuyez sur la touche **CLOCK (HORLOGE)**.



2. Saisissez l'heure actuelle.

Saisissez l'heure actuelle en heures et minutes à l'aide du pavé numérique (ex. : 1, 3, 0 pour 1h30).



3. Quittez le réglage.

Appuyez sur la touche **SET/START (RÉGLAGE/DÉPART)** ou **CLOCK (HORLOGE)**.

Comment passer du format 12 heures au format 24 heures ?

1. Démarrez le réglage.

Appuyez simultanément sur la touche **CLOCK (HORLOGE)** et la touche numérique **0** pendant 3 secondes.

Le format actuel s'affiche (ex. : 12 heures).



2. Sélectionnez le format d'affichage de votre choix.

Appuyez sur la touche numérique **0** pour sélectionner 12 heures ou 24 heures.

Appuyer sur la touche numérique **0** permet de passer de l'affichage 12 heures à l'affichage 24 heures.



3. Quittez le réglage.






Appuyez sur la touche **SET/START (RÉGLAGE/DÉPART)**.



RÉGLAGES MINIMUM ET MAXIMUM

Toutes les fonctions figurant dans la liste ont un réglage minimum et un réglage maximum de la durée ou de la température.

Un signal sonore retentit chaque fois que vous appuyez sur une touche et que la saisie est validée. Un signal d'erreur retentit sous la forme d'un signal sonore prolongé si une température ou une durée inférieure au réglage minimum ou supérieure au réglage maximum de la fonction est saisie.

FONCTION	MINIMUM	MAXIMUM
 Bake (Cuisson)	150°F (65°C)	550°F (285°C)
 Broil (Gril)	LO (FAIBLE)	HI (ÉLEVÉ)
 Self Clean (Auto-nettoyage)	2 h	4 h
 Warming Center (Zone chauffe-plat)	-	3 h
 Steam Clean (Nettoyage vapeur)	20 min.	20 min.

RÉGLAGE DE LA MINUTERIE

La minuterie émet un signal sonore une fois que le temps réglé est écoulé. Elle ne permet pas de démarrer ou d'arrêter les fonctions de cuisson. La minuterie peut être utilisée en parallèle avec toutes les autres fonctions du four.

Comment régler la minuterie ?

1. Activez la minuterie.

Appuyez sur la touche **KITCHEN TIMER ON/OFF (ACTIVATION/DÉSACTIVATION DE LA MINUTERIE)**.



2. Saisissez la durée souhaitée.

Saisissez la durée de votre choix à l'aide du pavé numérique (ex. : 1, 5). Sélectionnez une durée comprise entre 1 minute et 9 heures 59 minutes. En cas d'erreur, appuyez sur la touche **KITCHEN TIMER ON/OFF (ACTIVATION/DÉSACTIVATION DE LA MINUTERIE)** et recommencez.



3. Lancez la minuterie.

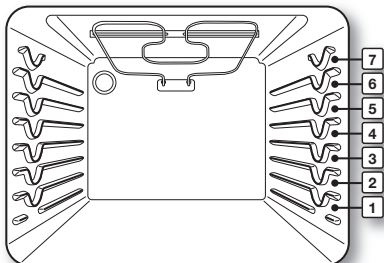
Appuyez sur la touche **KITCHEN TIMER ON/OFF (ACTIVATION/DÉSACTIVATION DE LA MINUTERIE)**.

4. Une fois le temps réglé écoulé, le four émet un signal sonore et l'indication End (Fin) s'affiche jusqu'à ce que vous appuyiez sur la touche **KITCHEN TIMER ON/OFF (ACTIVATION/DÉSACTIVATION DE LA MINUTERIE)**. Vous pouvez annuler la minuterie à tout moment en appuyant sur la touche **KITCHEN TIMER ON/OFF (ACTIVATION/DÉSACTIVATION DE LA MINUTERIE)**.



UTILISATION DES GRILLES DU FOUR

Hauteurs de grille



Le four comporte 7 hauteurs de grille (1 à 7).

TYPE D'ALIMENTS	HAUTEUR DE GRILLE
Tartes surgelées	4
Gâteau des anges	2
Couronne ou quatre-quarts	3
Biscuits, muffins, brownies, cookies, petits gâteaux, gâteaux étagés, tartes	4
Plats mijotés	4
Grands rôti, jambon	2
Dinde, petits rôti	1

Cuisson de gâteaux étagés

Positionnez les moules à gâteaux le plus au centre possible du four pour assurer de meilleurs résultats. Si vous utilisez plusieurs moules, espacez-les d'au moins 1" à 1½".

Si vous utilisez plusieurs grilles, placez-les aux hauteurs 2 et 5. Positionnez les ustensiles conformément aux schémas ci-dessous.

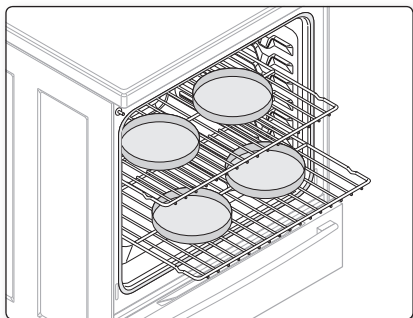


Fig. 1

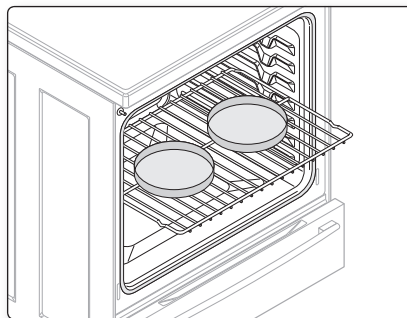


Fig. 2

Avant d'utiliser les grilles

Le four est équipé de deux grilles.

Chacune comporte une butée qui doit être correctement installée sur son support. Les butées empêchent la grille de sortir complètement de son logement.

RETRAIT DES GRILLES	REINSERTION DES GRILLES
<ol style="list-style-type: none">1. Tirez la grille horizontalement vers l'extérieur jusqu'à ce qu'elle bute.2. Soulevez l'avant de la grille et retirez-la.	<ol style="list-style-type: none">1. Posez l'extrémité de la grille sur le support.2. Inclinez l'extrémité avant vers le haut et insérez la grille.



- Ne couvrez pas une grille de papier d'aluminium et ne la posez pas sur la sole. La grille empêcherait la circulation de l'air, ce qui altérerait la cuisson et endommagerait la sole du four.
- Disposez les grilles du four uniquement pendant que le four est froid.

CUISSON

Le four peut être programmé pour cuire à toute température comprise entre 150°F et 550°F.

Comment régler le thermostat ?

1. Démarrez le réglage.

Appuyez sur la touche **BAKE (CUISSON)**. La température par défaut est de 350°F.



2. Saisissez la température de votre choix à l'aide du pavé numérique (ex. : 3, 7, 5).



3. Lancez la fonction de cuisson.

Appuyez sur la touche **SET/START (REGLAGE/DEPART)**. La température affichée se modifie dès que le four atteint la température de 150° F.



4. Si vous souhaitez annuler la cuisson ou si vous avez terminé, appuyez sur la touche **CLEAR/OFF (EFFACER/ARRET)**.

★ Si la recette l'indique, enfournez la nourriture une fois le four préchauffé. Le préchauffage assure de bons résultats pour la cuisson de gâteaux, biscuits, pâte et petits pains. Une fois la température souhaitée atteinte, le four émet six longs signaux sonores.

Comment régler le thermostat en cours de cuisson ?

1. Démarrez le réglage.

Appuyez sur la touche **BAKE (CUISSON)**. La température actuelle s'affiche (ex. : 375°F).



2. Saisissez la température de votre choix (ex. : 425°F) à l'aide du pavé numérique.



3. Terminez votre saisie en appuyant la touche **SET/START (REGLAGE/DEPART)**.



CUISSON MINUTÉE

Durant la cuisson minutée, le four s'allume immédiatement et fonctionne pendant la durée que vous avez sélectionnée. À la fin du temps de cuisson, le four s'éteint automatiquement.

- Vous pouvez utiliser la fonction de cuisson minutée uniquement avec une autre fonction de cuisson (Bake).
- Vous pouvez régler la cuisson minutée avant de régler les autres options de cuisson.
- L'horloge doit être réglée sur l'heure correcte.

Comment régler le four pour la cuisson minutée ?

1. Démarrez le réglage.

Appuyez sur la touche **BAKE (CUISSON)**. La température par défaut est de 350 °F.



2. Saisissez la température de votre choix à l'aide du pavé numérique (ex. : 3, 7, 5).



3. Appuyez sur la touche **COOKING TIME (TEMPS DE CUISSON)**.



4. Saisissez le temps de cuisson de votre choix (ex. : 45 min) à l'aide du pavé numérique.

Pour régler le temps de cuisson, sélectionnez une valeur comprise entre 1 minute et 9 heures 59 minutes.



5. Appuyez sur la touche **SET/START (RÉGLAGE/DÉPART)** pour lancer la cuisson.

Le four poursuit la cuisson jusqu'à ce que le temps défini se soit écoulé. Pour afficher la température, appuyez sur la touche Bake (Cuisson).



6. Vous pouvez annuler la cuisson minutée à tout moment en appuyant sur la touche **CLEAR/OFF (EFFACER/ARRÊT)**.



Si la recette l'indique, enfournez la nourriture une fois le four préchauffé. Le préchauffage est essentiel pour la cuisson de gâteaux, biscuits, pâte et petits pains. Une fois la température souhaitée atteinte, le four émet six longs signaux sonores.



ATTENTION

Soyez prudent lorsque vous utilisez les fonctions de **Cuisson minutée** ou **Cuisson minutée différée**. Utilisez ces fonctions pour la cuisson des viandes salées ou surgelées ainsi que de la plupart des fruits et légumes. Les aliments pouvant s'altérer facilement (ex. : lait, œufs, poisson, viande, volaille) doivent sortir directement du réfrigérateur. Même réfrigérés, ces aliments ne doivent pas reposer au four pendant plus d'une heure avant le démarrage de la cuisson. De plus, ils doivent être retirés rapidement une fois la cuisson terminée. La consommation d'aliments gâtés peut entraîner des maladies liées à un empoisonnement alimentaire.

CUISSON MINUTÉE DIFFÉRÉE

Durant la cuisson minutée différée, la minuterie du four permet d'allumer et d'éteindre le four aux heures que vous avez sélectionnées préalablement.

- Vous pouvez utiliser la fonction de cuisson minutée différée uniquement avec une autre fonction de cuisson (Bake).
- Vous pouvez régler la cuisson minutée différée avant de régler les autres options de cuisson.
- L'horloge doit être réglée sur l'heure correcte.

Comment régler le four pour la cuisson minutée différée ?

1. Positionnez la ou les grilles du four sur la hauteur appropriée et enfournez les aliments.

2. Démarrez le réglage.

Appuyez sur la touche correspondant à la cuisson de votre choix, par exemple BAKE (CUISSON). La température par défaut est de 350°F.

3. A l'aide du pavé numérique, saisissez la température de votre choix (ex. : 375°F).

4. Appuyez la touche **COOKING TIME (TEMPS DE CUISSON)**.

5. Saisissez le temps de cuisson de votre choix (ex. : 45 min) à l'aide du pavé numérique.

Pour régler le temps de cuisson, sélectionnez une durée comprise entre 1 minute et 9 heures 59 minutes.



6. Appuyez sur la touche **DELAY START (DÉPART DIFFÉRÉ)**.



7. Saisissez l'heure à laquelle vous souhaitez que le four s'allume (ex. : 4h30) à l'aide du pavé numérique.



8. Appuyez sur la touche **SET/START (RÉGLAGE/DÉPART)**.

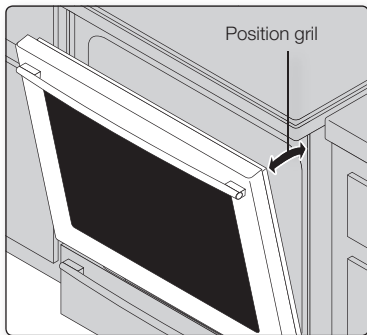
À l'heure réglée, un court signal sonore retentit. Le four commence alors à chauffer. Une fois la température souhaitée atteinte, le four émet six longs signaux sonores.



Si la recette l'indique, enfournez la nourriture une fois le four préchauffé. Le préchauffage est essentiel pour la cuisson de gâteaux, biscuits, pâte et petits pains. Une fois la température souhaitée atteinte, le four émet six longs signaux sonores.

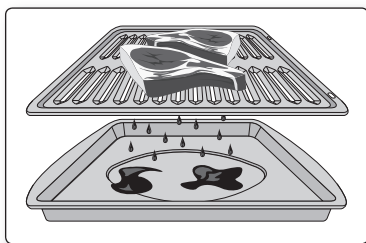
CUISSON AU GRIL

Position grill



Laissez la porte entrouverte sur la position grill. Elle reste ouverte toute seule, ce qui n'empêche pas la température d'être maintenue à l'intérieur du four.

Utilisation de la lèche-frite



La lèche-frite et son grill permettent à la graisse de s'écouler et d'être maintenue éloignée de la chaleur élevée du grill.

- **N'utilisez pas** la lèche-frite sans le grill.
- **Ne couvrez pas** le grill de papier d'aluminium. La graisse exposée risquerait de s'enflammer.



Ces accessoires ne sont pas fournis avec la cuisinière.



En cas d'incendie à l'intérieur du four, fermez la porte du four et éteignez-le. Si les flammes ne s'éteignent pas, versez-y du bicarbonate de soude ou utilisez un extincteur à mousse. Ne versez ni eau ni farine sur le feu. La farine peut entraîner des explosions et un incendie lié à la graisse risque de s'aggraver au contact de l'eau et de provoquer des blessures.

Comment régler le four pour la cuisson au grill ?

1. Sélectionnez le réglage de votre choix pour le grill.

Appuyez sur la touche **BROIL (GRIL)** une fois pour sélectionner HI (ÉLEVÉ) ou deux fois pour sélectionner LO (FAIBLE).

Sélectionnez LO (FAIBLE) pour cuire des aliments tels que de la volaille ou des morceaux épais de viandes sans risquer de trop les brunir.



2. Démarrez la fonction Gril.

Appuyez sur la touche **SET/START (RÉGLAGE/DÉPART)**.

Faites cuire un côté des aliments au grill jusqu'à ce qu'ils soient brunis. Puis, tournez-les et faites cuire l'autre côté.



3. Appuyez sur la touche **CLEAR/OFF (EFFACER/ARRÊT)** une fois la cuisson terminée ou pour annuler la cuisson au grill.

Guide de cuisson au grill

Les temps de cuisson au grill dépendent de la taille, du poids, de l'épaisseur, de la température de départ ainsi que de vos préférences de cuisson.

Ce guide se base sur des viandes sortant du réfrigérateur.

Aliments	Quantité et/ou épaisseur	Hauteur	Temps pour le 1er côté (min.)	Temps pour le 2ème côté (min.)	Remarques
Bœuf haché Bien cuit	1 lb (4 boulettes) ½ à ¾" d'épaisseur	7	9-12	5-7	Répartissez uniformément. Vous pouvez cuire jusqu'à 8 boulettes simultanément.
Biftecks Saignant A point Bien cuit Saignant A point Bien cuit	1" d'épaisseur 1 à 1½ lb. 1½" d'épaisseur 2 à 2½ lb.	7 7 7 6 6 6	8-10 10-12 12-14 12-15 15-18 18-22	3-5 4-6 5-7 10-13 13-16 16-18	Les biftecks dont l'épaisseur ne dépasse pas 1" cuisent avant de brunir. Il est conseillé de les frire sur le grill. Incisez pour extraire la graisse.
Poulet	1 poulet entier 2 à 2½ lb, coupé dans la longueur 2 blancs	4 5	28-33 13-18	13-18 5-10	Grillez d'abord le côté peau vers le bas.
Queues de langouste	2-4 10 à 12 onces chacune	4	14-18	Ne retournez pas.	Coupez dans le dos de la carapace. Ouvrez en écartant. Badigeonnez de beurre fondu, avant de griller et à la moitié du temps.
Filets de poisson	¼ à ½" d'épaisseur	6	6-10	3-4	Manipulez et retournez avec précaution. Selon vos goûts, vous pouvez badigeonner de beurre citronné avant et pendant la cuisson.
Tranches de jambon (précuites)	½" d'épaisseur	6	6-8	4-5	Augmentez le temps (10 minutes au lieu de 5) pour chaque côté pour du jambon d'1½" d'épaisseur ou artisanal.

Aliments	Quantité et/ou épaisseur	Hauteur	Temps pour le 1er côté (min.)	Temps pour le 2ème côté (min.)	Remarques
Côtelettes de porc	2 (½" d'épaisseur)	6	8-10	4-6	Incisez pour extraire la graisse.
	Bien cuit 2 (1" d'épaisseur) environ 1 lb.	5	11-13	5-8	
Côtelettes d'agneau	A point 2 (1" d'épaisseur) environ 10 à 12 oz.	6	8-10	5-7	Incisez pour extraire la graisse.
	Bien cuit	6	10-14	7-10	
	A point 2 (1½" d'épaisseur)	6	12-15	6-9	
	Bien cuit environ 1 lb.	6	15-20	9-13	
Saumon	2 (1" d'épaisseur)	6	7-9	3-4	Beurrez le moule. Badigeonnez les steaks de beurre fondu.
	Steaks 4 (1" d'épaisseur) environ 1 lb.	6	8-10	4-6	

FONCTIONS COMPLÉMENTAIRES

Économie d'énergie après 12 heures

Si vous oubliez d'éteindre votre four, cette fonction assure la désactivation automatique des commandes après 12 heures d'utilisation des fonctions de cuisson ou après 3 heures d'utilisation de la fonction Gril.

Comment activer ou désactiver la fonction d'économie d'énergie après 12 heures ?

1. Appuyez simultanément sur la touche **COOKING TIME (TEMPS DE CUISSON)** et la touche numérique **0** pendant 3 secondes.

L'affichage indiquant **12 Hr** (arrêt après 12 heures) ou **-- Hr** (pas d'arrêt automatique) clignote.



Par défaut, le four s'arrête au bout de 12 heures.

2. Appuyez sur la touche **0** du pavé numérique pour sélectionner OFF (DÉSACTIVATION) ou ON (ACTIVATION).

Appuyer sur la touche 0 du pavé numérique permet de passer du mode 12 Hr au mode -- Hr.



3. Appuyez sur la touche **SET/START (RÉGLAGE/DÉPART)**.
-

Sélection de la température en Fahrenheit ou Celsius

Le four peut être programmé pour afficher la température en degrés Fahrenheit ou Celsius. Par défaut, le four est réglé pour que la température s'affiche en degrés Fahrenheit.

Comment passer des degrés Fahrenheit aux degrés Celsius et inversement ?

1. Appuyez simultanément sur la touche **BROIL (GRIL)** et **0(pavé numérique)** pendant 3 secondes.

L'affichage indiquant **F (Fahrenheit)** ou **C (Celsius)** clignote.



Par défaut, l'affichage indique F.

2. Appuyez sur la touche **0** du pavé numérique pour sélectionner F ou C.

Appuyer sur la touche 0 du pavé numérique permet de passer de F à C et inversement.



3. Appuyez sur la touche **SET/START (RÉGLAGE/DÉPART)**.
-

Réglage du thermostat

Les températures sont réglées par défaut. Lorsque vous utilisez votre four pour la première fois, veillez à respecter les temps et températures de cuisson. Si vous pensez que la température est trop élevée ou trop basse, vous pouvez la régler une nouvelle fois. Avant de la régler, essayez une recette en sélectionnant une température supérieure ou inférieure à celle recommandée. Les résultats de cuisson devraient vous indiquer si un réglage est nécessaire ou non.

La température du four peut être réglée à $\pm 35^{\circ}\text{F}$ ($\pm 19^{\circ}\text{C}$).

Comment régler la température du four ?

1. Appuyez simultanément sur la touche **BAKE (CUISSON)** et la touche numérique **0** pendant 3 secondes.

L'affichage indique **Adj 0 (Rég 0)**.



2. Saisissez la température de votre choix (ex. : 20°F) à l'aide du pavé numérique.

Vous pouvez réduire la température réglée par défaut en appuyant sur la touche **BAKE (CUISSON)**.



3. Appuyez sur la touche **SET/START (RÉGLAGE/DÉPART)**.
-



Ce réglage n'affecte en rien les températures de la cuisson au gril ou du cycle d'auto-nettoyage. Le réglage sera conservé en mémoire même après une coupure de courant.

Activation/désactivation du son

Cette fonction vous permet de régler le four de sorte à ce que les commandes fonctionnent de manière silencieuse.

Comment activer ou désactiver le son ?

1. Appuyez simultanément sur les touches **Oven Light (Eclairage du four)** et **0 (pavé numérique)** pendant 3 secondes.
L'affichage indique alors **Snd On (Son activé)** ou **Snd OFF (Son désactivé)**.
Par défaut, le son est activé.



2. Appuyez sur la touche **0** du pavé numérique pour sélectionner OFF (DESACTIVATION) ou ON (ACTIVATION).
Appuyer sur la touche numérique 0 permet de passer de l'un à l'autre.
3. Appuyez sur la touche **SET/START (REGLAGE/DEPART)**.



Verrouillage des commandes

Cette fonction permet de verrouiller les touches de sorte à ce qu'elles ne puissent être activées par accident.

Comment activer la fonction de verrouillage des commandes ?

1. Appuyez sur la touche **CLEAR/OFF (EFFACER/ARRET)** pendant 3 secondes.
L'indication **Loc (Verrouillage)** ainsi qu'une **icône représentant un verrou** s'affichent en continu au-dessus de l'heure, si vous ne l'avez pas supprimée.



Toutes les fonctions doivent être annulées avant l'activation du verrouillage des commandes.

Cette fonction est disponible à moins de 400°F.

Comment déverrouiller les commandes ?

1. Appuyez sur la touche **CLEAR/OFF (EFFACER/ARRET)** pendant 3 secondes.
L'indication **Loc (Verrouillage)** ainsi que **l'icône du verrou** disparaissent de l'affichage.



Réglage de la fonction Shabbat

(utilisée pour les fêtes et le Shabbat juifs)

La fonction Shabbat peut être utilisée uniquement avec la cuisson. La température du four peut être augmentée ou réduite après que la fonction Shabbat a été réglée (la fonction de réglage de la température ne devrait être utilisée que durant les fêtes juives). Cependant, l'affichage ne change pas et les signaux sonores ne sont pas émis lors des changements. Une fois la fonction Shabbat correctement activée pour la cuisson, le four reste allumé jusqu'à l'annulation de la fonction. Ce réglage écrase la fonction d'économie d'énergie après 12 heures, qui est réglée par défaut. Si vous souhaitez allumer l'éclairage durant le Shabbat, appuyez sur la touche **OVEN LIGHT (ECLAIRAGE DU FOUR)** avant d'activer la fonction Shabbat. Une fois l'éclairage allumé et la fonction Shabbat activée, le four reste allumé jusqu'à l'arrêt de la fonction Shabbat. Si vous souhaitez éteindre l'éclairage, veillez à désactiver l'éclairage du four avant d'activer la fonction Shabbat.

Comment utiliser la fonction Shabbat ?

1. Appuyez sur la touche **BAKE (CUISSON)**.

La température par défaut est de 350°F.



2. Saisissez la température de votre choix (ex. : 375°F) à l'aide du pavé numérique.

3. Appuyez sur la touche **SET/START (REGLAGE/DEPART)**.

La température affichée se modifie dès que le four atteint la température de 150° F.



4. Appuyez simultanément sur les touches **CLOCK (HORLOGE)** et **KITCHEN TIMER ON/OFF (ACTIVATION/DESACTIVATION DE LA MINUTERIE)** pendant 3 secondes.

L'affichage indique alors **SAb (Shabbat)**.

Une fois que SAB est affiché, les commandes du four n'émettent plus de signal sonore et l'affichage reste inchangé.

Vous pouvez modifier la température du four une fois la cuisson commencée. N'oubliez pas que les commandes du four n'émettent plus de signal sonore et que l'affichage reste inchangé une fois la fonction Shabbat activée.



5. Vous pouvez éteindre le four à tout moment en appuyant sur la touche **CLEAR/OFF (EFFACER/ARRET)**. Ainsi, seul le four s'éteint. Si vous souhaitez désactiver la fonction Shabbat, maintenez enfoncées simultanément les touches **CLOCK (HORLOGE)** et **KITCHEN TIMER ON/OFF (ACTIVATION/DESACTIVATION DE LA MINUTERIE)** pendant 3 secondes.

L'indication Sab (Shabbat) n'est plus affichée.



Il est déconseillé d'activer un programme autre que la fonction BAKE (CUISSON) pendant que la fonction Shabbat est activée. Seules les touches suivantes fonctionnent correctement en parallèle avec la fonction Shabbat : **PAVE NUMERIQUE, BAKE (CUISSON), SET/START (REGLAGE/DEPART)** et **CLEAR/OFF (EFFACER/ARRET)**. **TOUTES LES AUTRES TOUCHES** ne doivent pas être utilisées tant que la fonction Shabbat est activée.

Entretien de votre appareil

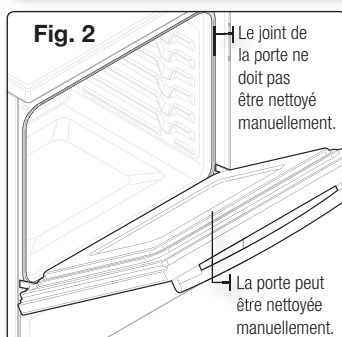
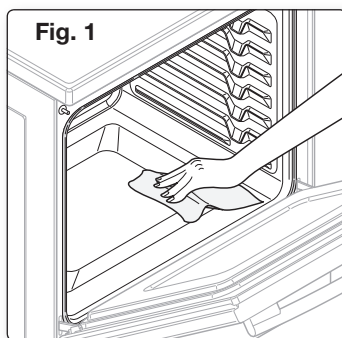
AUTO-NETTOYAGE

Le cycle d'auto-nettoyage émet une température très élevée (bien supérieure aux températures de cuisson) pour brûler complètement les résidus de graisse ou les réduire en poudre qu'il vous suffit d'essuyer à l'aide d'un torchon humide.



- Durant l'auto-nettoyage, les parois externes de la cuisinière peuvent devenir extrêmement chaudes au toucher. **Ne** laissez jamais d'enfants en bas âge sans surveillance à proximité de l'appareil.
- Certains oiseaux sont extrêmement sensibles aux fumées émises durant les cycles d'auto-nettoyage, et ce quelle que soit la cuisinière. Déplacez les oiseaux dans une autre pièce bien aérée.
- **Ne** tapissez jamais les parois, les grilles, la sole ou toute autre partie du four de papier d'aluminium. La chaleur serait ainsi mal distribuée, les résultats de cuisson altérés et l'intérieur du four endommagé de façon irréversible (le papier d'aluminium fondrait sur les parois internes du four).
- **Ne** forcez jamais l'ouverture de la porte du four. Vous risqueriez d'endommager le système de verrouillage automatique de la porte. Soyez vigilant lorsque vous ouvrez la porte du four une fois le cycle d'auto-nettoyage terminé. Pour permettre à l'air chaud ou à la vapeur de s'échapper, maintenez-vous sur le côté du four lorsque vous ouvrez la porte. Le four peut encore être **TRES CHAUD**.

Avant le cycle d'auto-nettoyage



- Durant le cycle d'auto-nettoyage, nous vous conseillons d'aérer votre cuisine en ouvrant une fenêtre ou en activant un ventilateur ou une hotte.
- Retirez la grille métallique, la lèchefrite, gril de lèchefrite, le papier d'aluminium et tous les ustensiles du four.
- Essuyez les résidus qui se trouvent sur la sole du four. (Fig. 1).
- Les grilles argentées peuvent être auto-nettoyées, mais elles noircissent, perdent leur lustre et glissent difficilement.
- Les résidus situés sur la façade de la cuisinière et sur les parois du joint de la porte doivent être nettoyés à la main. Nettoyez ces zones à l'aide d'eau chaude, de tampons à récurer imbibés de savon ou d'un nettoyant doux. Rincez à l'eau claire et essuyez.
- Ne nettoyez pas le joint en lui-même. La fibre de verre utilisée pour le joint de la porte ne résiste pas au nettoyage. Le joint doit absolument rester intact. Si vous constatez qu'il s'use ou rapetisse, remplacez-le (Fig. 2).
- Assurez-vous que la protection de l'ampoule est en place et que l'éclairage est éteint.

Comment régler le four pour l'auto-nettoyage ?

1. Sélectionnez la durée d'auto-nettoyage (ex. : 3 heures).

Appuyez sur la touche **SELF CLEAN (AUTO-NETTOYAGE)** une fois pour un cycle de 3 heures, deux fois pour un cycle de 4 heures ou trois fois pour un cycle de 2 heures.



Par défaut, le cycle dure 3 heures.

2. Démarrez le cycle d'auto-nettoyage.

Appuyez sur la touche **SET/START (REGLAGE/DEPART)**. Le verrouillage entraîné par moteur de la porte s'enclenche automatiquement.



- Vous ne pouvez démarrer le cycle d'auto-nettoyage si la fonction de verrouillage des commandes est activée ou si la température du four est trop élevée.
- La porte du four se verrouille automatiquement. Le temps de nettoyage restant s'affiche. La porte ne peut pas s'ouvrir tant que la température n'est pas descendue à une température sans danger/basse.
- La fonction d'auto-nettoyage ne fonctionne pas lorsqu'un foyer est allumé. Si vous allumez un foyer pendant l'auto-nettoyage, le cycle s'arrête automatiquement.

Comment retarder le départ de l'auto-nettoyage

1. Appuyez sur la touche **SELF CLEAN (AUTO-NETTOYAGE)**. Sélectionnez l'heure d'auto-nettoyage souhaitée en appuyant sur la touche **SELF CLEAN (AUTO-NETTOYAGE)**.
2. Appuyez sur la touche **DELAY START (DEPART DIFFERE)**.
3. A l'aide de la touche **CLOCK (HORLOGE)** et des touches numériques, saisissez l'heure de départ du cycle d'auto-nettoyage.
4. Appuyez sur la touche **SET/START (REGLAGE/DEPART)**. Les icônes de départ différé, démarrez heure et de verrouillage s'affichent à l'écran. Le verrouillage entraîné par moteur de la porte s'enclenche automatiquement.
5. Le cycle d'auto-nettoyage démarre automatiquement à l'heure définie.

Comment désactiver la fonction d'auto-nettoyage ?

Il peut s'avérer nécessaire d'arrêter ou d'interrompre un cycle d'auto-nettoyage en raison d'une fumée excessive ou d'un incendie dans le four (Une fois que le cycle d'auto-nettoyage est terminé, l'indication End (Fin) s'affiche et un signal sonore retentit six fois.)

1. Appuyez sur la touche **CLEAR/OFF (EFFACER/ARRET)**.
2. Vous pourrez à nouveau ouvrir la porte du four une fois que le four aura refroidi pendant environ une heure.

Après un cycle d'auto-nettoyage

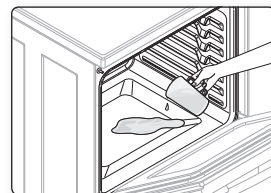
- Il est possible que de la cendre reste dans le four. Essayez-la à l'aide d'un torchon humide une fois le four refroidi (Si la cendre laisse des traces blanches, effacez-les à l'aide d'un tampon à récurer imbibé de savon et rincez abondamment à l'aide d'une solution d'eau et de vinaigre blanc).
- Si le four n'est toujours pas propre après un cycle, répétez le cycle.
- Le four ne peut être réglé pour la cuisson tant qu'il n'a pas refroidi suffisamment pour permettre l'ouverture de la porte.

NETTOYAGE VAPEUR

Comment régler le four pour le nettoyage vapeur ?

Le nettoyage vapeur permet d'effectuer un nettoyage superficiel en économisant du temps et de l'énergie. Pour nettoyer plus efficacement des résidus et particules grasses, utilisez la fonction d'auto-nettoyage.

1. Retirez tous les accessoires du four.
2. Versez environ 10 oz (300 ml) d'eau dans la sole du four vide et fermez la porte.
Utilisez uniquement de l'eau claire normale et non de l'eau distillée.



3. Appuyez sur la touche **STEAM CLEAN (NETTOYAGE VAPEUR)**.



4. Appuyez sur la touche **SET/START (REGLAGE/DEPART)**.

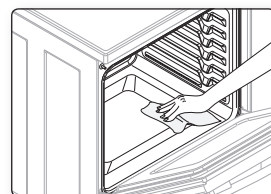
Une fois l'opération terminée, l'affichage clignote et un signal sonore retentit.



5. Appuyez sur la touche **CLEAR/OFF (EFFACER/ARRET)**.

6. Nettoyez l'intérieur du four.

Une quantité importante d'eau reste dans la sole du four après un cycle de nettoyage vapeur. Otez l'eau à l'aide d'une éponge ou d'un torchon sec.



★ Pour que le nettoyage vapeur offre des résultats optimaux, utilisez exactement 10 oz d'eau.

✍ Si vous appuyez sur la touche **STEAM CLEAN (NETTOYAGE VAPEUR)** alors que la température du four est supérieure à 100°F, l'indication **Hot (Chaud)** s'affiche. Pour assurer des résultats optimaux, il est préférable de démarrer cette fonction à four froid. C'est pourquoi, nous vous conseillons d'attendre que le four ait refroidi et que l'indication Hot (Chaud) disparaisse de l'affichage.

Après un cycle de nettoyage vapeur

- Soyez vigilant si vous ouvrez la porte avant que le nettoyage vapeur soit terminé. L'eau située dans la sole du four est très chaude.
- Ouvrez la porte du four et épongez l'eau restante. Ne laissez pas stagner l'eau qui reste dans le four. Essuyez le four et séchez-le à l'aide d'un torchon sec (n'oubliez pas de passer le torchon sous le joint de la porte).
- Pour nettoyer la cavité du four, utilisez une éponge, une brosse souple ou un tampon à récurer en nylon imbibé(e) de nettoyant. Retirez la crasse incrustée à l'aide d'un tampon à récurer en nylon. Les dépôts de tartre peuvent être ôtés à l'aide d'un chiffon imbibé de vinaigre blanc.
- Si la saleté persiste, vous pouvez répéter l'opération une fois le four refroidi.
- Pour les résidus plus importants (ex. : graisse provenant du rôtissage), nous vous conseillons d'étaler du nettoyant sur les traces avant d'activer la fonction de nettoyage vapeur.
- Une fois le nettoyage terminé, laissez la porte du four entrebâillée (à 15°) pour permettre à la surface émaillée interne de sécher complètement.

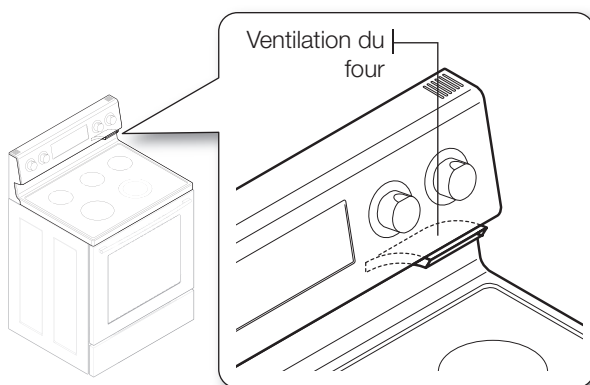
ENTRETIEN ET NETTOYAGE DU FOUR



- Avant de nettoyer une quelconque partie de la cuisinière, assurez-vous que toutes les commandes sont **DESACTIVÉES** et que toutes les surfaces sont **FROIDES**.
- Si vous êtes amené à déplacer votre cuisinière pour des raisons de nettoyage, réparation ou autre, assurez-vous que le dispositif anti-basculement est convenablement rétabli une fois que la cuisinière est remise en place. La non observation de cette consigne peut provoquer un basculement de la cuisinière et, par conséquent, des blessures.



Ventilation du four



- L'orifice de ventilation est situé au-dessus de l'élément de surface arrière droit.
- Pendant le fonctionnement du four, cette zone peut devenir extrêmement chaude.
- Il est normal que la vapeur s'échappe de cet orifice.
- La ventilation est importante pour assurer une bonne circulation de l'air. Veillez à ne jamais l'obstruer.

Nettoyage des parties peintes et ornements décoratifs

- Pour le nettoyage sommaire, utilisez un torchon imbibé d'eau chaude savonneuse.
- Pour ôter les résidus incrustés et la graisse accumulée, versez un nettoyant liquide directement sur la zone et laissez agir 30 à 60 minutes. Frottez à l'aide d'un torchon humide, puis essuyez. N'appliquez jamais de détergent sur ces surfaces car ils risquent de les rayer.

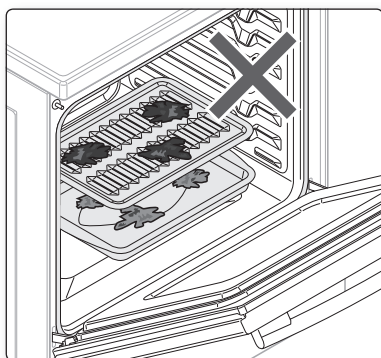
Nettoyage des surfaces en inox

1. Secouez énergiquement la bouteille de nettoyant pour acier inoxydable ou de produit lustrant.
2. Versez-en une petite quantité sur un torchon ou du papier absorbant humide.
3. Nettoyez une petite zone, en frottant si possible l'inox dans le sens du grain.
4. Séchez et lustrez à l'aide de papier absorbant ou d'un torchon doux propre et sec.
5. Répétez l'opération si nécessaire.



- **N'utilisez pas de tampon à récurer métallique. Vous pourriez rayer la surface.**
- Si un nettoyant à base d'huile minérale a préalablement été utilisé pour nettoyer l'appareil, nettoyez la surface à l'aide de liquide vaisselle et d'eau avant d'utiliser le nettoyant pour acier inoxydable ou le produit lustrant.

Nettoyage de la lèchefrite et de son gril



- **N'essayez pas de nettoyer la lèchefrite ou le gril en les laissant dans le four durant le cycle d'auto-nettoyage.**
- Après une cuisson au gril, retirez la lèchefrite du four. Retirez le gril de la lèchefrite. Déversez soigneusement la graisse du plat dans un récipient adéquat.
- **Lavez et rincez la lèchefrite et le gril à l'eau chaude en utilisant une éponge à récurer imbibée de savon.**
- **Faire tremper le plat vous permettra d'éliminer les aliments brûlés.**
- La lèchefrite comme le gril peuvent être nettoyés au moyen d'un produit nettoyant pour four disponible dans le commerce. Ils sont également adaptés au lave-vaisselle.
- **Ne rangez pas une lèchefrite et un gril sales n'importe où dans la cuisinière.**

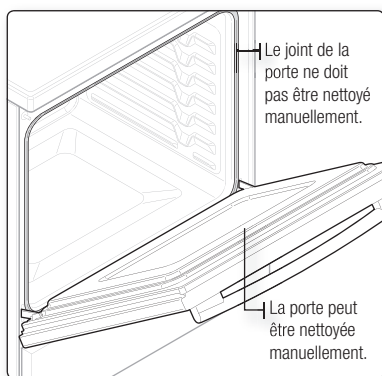


Ces accessoires ne sont pas fournis avec la cuisinière.

Grilles de cuisson

- Si vous laissez les grilles dans le four durant un cycle d'auto-nettoyage, leur couleur deviendra légèrement bleutée et l'aspect de leur surface se ternira. Une fois le cycle d'auto-nettoyage terminé et le four refroidi, essuyez les parties latérales des grilles à l'aide d'un papier sulfurisé ou d'un chiffon légèrement huilé. Cela permettra une meilleure insertion des grilles dans leurs glissières.

Porte du four



- Utilisez du savon et de l'eau pour un nettoyage minutieux des parties supérieure, latérale et frontale de la porte du four. Rincez abondamment. Utilisez un produit vitre pour nettoyer la vitre extérieure de la porte du four. **N'IMMERGEZ PAS** la porte dans de l'eau. **NE VAPORISEZ PAS ou ne faites pas pénétrer de l'eau ou du produit vitre à l'intérieur des orifices de ventilation de la porte.** N'UTILISEZ PAS de nettoyeurs pour four, de poudres à récurer ou tout autre nettoyant fortement abrasif sur la partie extérieure de la porte du four.
- **NE NETTOYEZ PAS le joint de la porte.** Le joint de la porte est constitué d'un matériau tissé essentiel à son bon fonctionnement. Veillez à ne pas froter, endommager ou retirer ce joint.

ENTRETIEN ET NETTOYAGE DE LA TABLE DE CUISSON VITRÉE

Nettoyage après une utilisation quotidienne

Utilisez uniquement un nettoyant pour surface de cuisson en céramique pour le nettoyage de la table de cuisson vitrée. L'utilisation d'autres crèmes n'a pas la même efficacité.

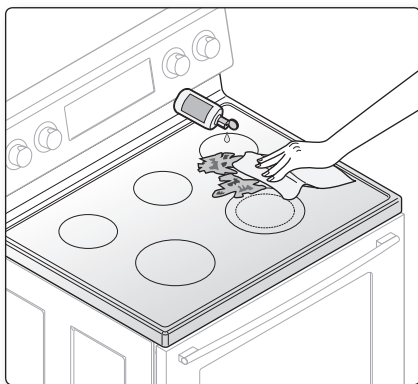
En respectant les étapes suivantes, vous parviendrez à maintenir en bon état et à protéger votre table de cuisson vitrée.

1. Avant d'utiliser votre table de cuisson pour la première fois, nettoyez-la à l'aide d'un nettoyant pour surface de cuisson en céramique. Vous protégerez ainsi la surface et faciliterez son nettoyage.
2. L'usage quotidien d'un nettoyant pour table de cuisson en céramique permet de préserver l'aspect neuf de votre table de cuisson.
3. Secouez bien la crème nettoyante. Versez quelques gouttes de nettoyant directement sur la table de cuisson.
4. Utilisez une serviette en papier ou un tampon de nettoyage pour surface de cuisson en céramique pour nettoyer l'intégralité de la table de cuisson.
5. Utilisez un chiffon sec ou une serviette en papier pour retirer tout résidu de produit nettoyant. Il est inutile de rincer.



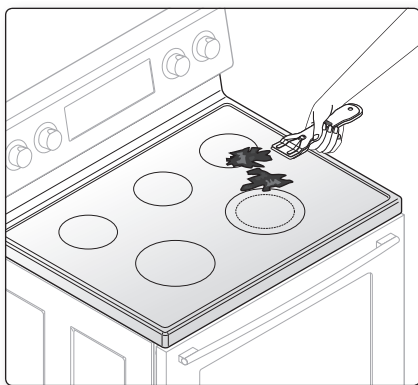
Vous risquez d'**ENDOMMAGER** votre surface vitrée si vous utilisez d'autres tampons de nettoyage que ceux recommandés.

Élimination des résidus brûlés



1. Laissez refroidir la table de cuisson.
2. Étalez quelques gouttes de nettoyant pour surface de cuisson en céramique sur l'ensemble de la surface couverte de résidus brûlés.
3. En utilisant le tampon de nettoyage conçu pour les surfaces de cuisson en céramique, frottez la zone couverte de résidus, en appuyant si nécessaire.
4. Si des résidus subsistent, répétez autant de fois que nécessaire les étapes décrites ci-dessus.
5. Pour une protection optimale, et une fois tous les résidus éliminés, frottez toute la surface à l'aide du nettoyant pour surface de cuisson en céramique et d'une serviette en papier.

Élimination des résidus importants de brûlé



1. Laissez refroidir la table de cuisson.
2. À l'aide du grattoir à lame de rasoir unique incliné d'environ 45° sur la surface vitrée, grattez les salissures. Vous devez appuyer et frotter pour supprimer les résidus.
3. Après avoir gratté à l'aide du grattoir à lame de rasoir, étalez quelques gouttes de nettoyant pour surface en céramique sur l'ensemble de la surface couverte de résidus brûlés. Utilisez le tampon de nettoyage pour supprimer tout résidu restant. (Ne grattez pas le joint.)
4. Pour une protection optimale, et une fois tous les résidus éliminés, frottez toute la surface à l'aide du nettoyant pour surface de cuisson et d'une serviette en papier.

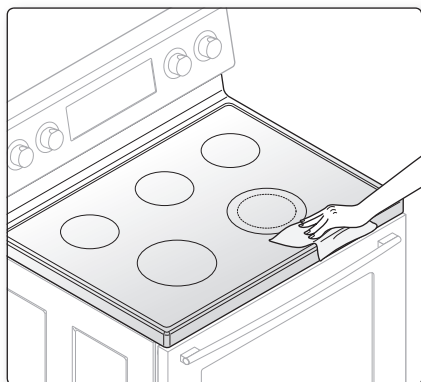
Suppression des rayures et traces de métal

1. Évitez de faire glisser les casseroles et plats sur la table de cuisson. Vous risquez ainsi de rayer la table de cuisson. Vous pouvez supprimer ces traces en appliquant un nettoyant pour surface de cuisson en céramique.
2. Si vous laissez des casseroles à fin revêtement d'aluminium ou de cuivre bouillir jusqu'à évaporation complète, le revêtement peut laisser une marque de décoloration noire sur la table de cuisson. Pour éviter que cette trace ne devienne indélébile, éliminez-la immédiatement.



Vérifiez que le fond de vos plats est lisse pour éviter de rayer la table de cuisson.

Nettoyage du joint de la table de cuisson



Pour nettoyer le joint situé sur le pourtour de la vitre, appliquez un chiffon humide durant quelques minutes, puis nettoyez à l'aide d'un nettoyant non abrasif.

Risques d'endommagement définitif de la surface vitrée

- Les éclaboussures de sucre (comme celles produites par les confitures, le caramel, le sucre, les sirops) ou les plastiques fondus peuvent faire apparaître des piqûres sur la surface de votre table de cuisson. Ces dommages ne sont pas couverts par la garantie. Il est conseillé de nettoyer la projection tant qu'elle est encore chaude. Soyez particulièrement vigilant lorsque vous retirez des substances chaudes. Reportez-vous au chapitre suivant.
- Lorsque vous utilisez un grattoir, assurez-vous qu'il est neuf et que la lame de rasoir est toujours aiguisée. N'utilisez pas de lame émoussée ou en mauvais état.

Nettoyage des éclaboussures de sucre et du plastique fondu

1. Eteignez tous les foyers. Retirez les plats chauds.
2. En vous munissant d'un gant et à l'aide d'un grattoir à lame de rasoir unique, déplacez les éclaboussures vers une partie froide de la table de cuisson. Retirez les éclaboussures à l'aide de papier absorbant.
3. Aucun résidu d'éclaboussure ne doit subsister tant que la table de cuisson est encore chaude.
4. Ne réutilisez pas les foyers tant que tous les résidus n'ont pas été complètement supprimés.



Si une piqûre ou un creux se sont déjà formés sur la surface vitrée, le verre de la table de cuisson devra être remplacé. Dans ce cas, une intervention est nécessaire.

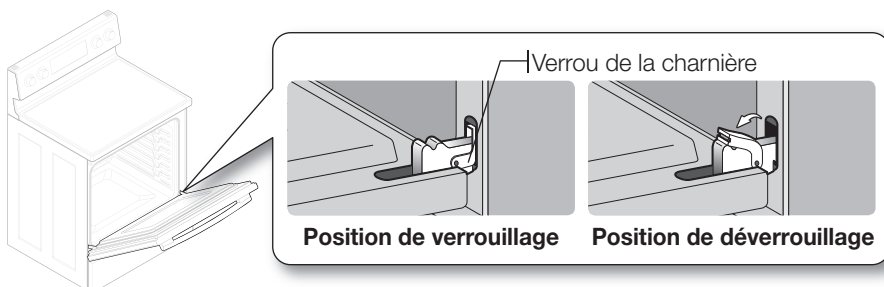
RETRAIT ET REMISE EN PLACE DE LA PORTE DU FOUR

Comment retirer la porte ?



- La porte est très lourde. Soyez prudent lorsque vous retirez et soulevez la porte. Ne soulevez pas la porte par la poignée.
- Mettez la cuisinière hors tension avant de retirer la porte.

1. Ouvrez la porte au maximum.
2. Abaissez les verrous de la charnière vers l'encadrement de porte pour les mettre en position de déverrouillage.



3. Saisissez fermement les deux côtés de la porte par le haut.
4. Fermez la porte jusqu'à la position de retrait de la porte : à environ 5 degrés de la position verticale (Fig. 1).
5. Soulevez et retirez la porte jusqu'à ce que le bras de la charnière soit enlevé de son logement (Fig. 2).

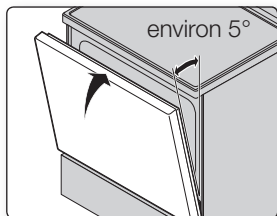


Fig. 1

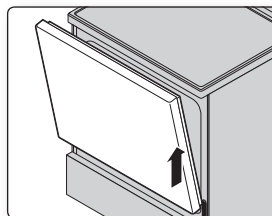
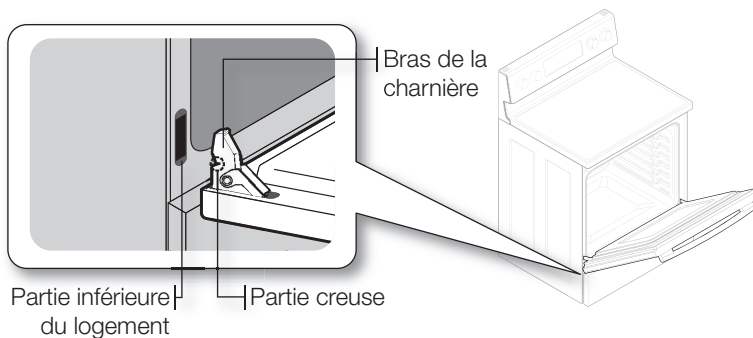


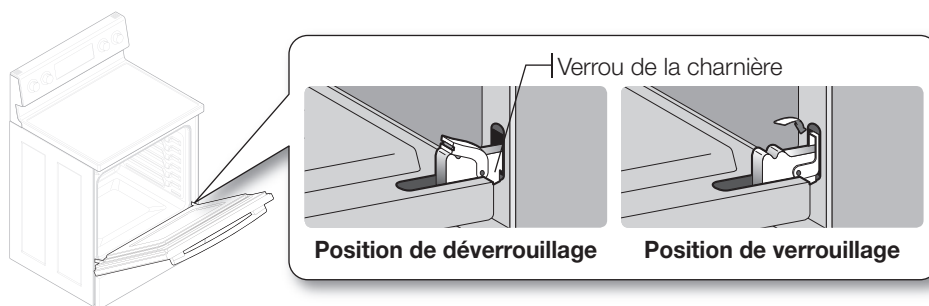
Fig. 2

Comment remettre la porte en place ?

1. Saisissez fermement les deux côtés de la porte par le haut.
2. En maintenant la porte dans le même angle que lors de son retrait, faites glisser la partie creuse du bras de la charnière dans la partie inférieure du logement de la charnière. L'encoche située sur le bras de la charnière doit être insérée entièrement dans la partie inférieure du logement.



- Ouvrez la porte au maximum. Si la porte ne s'ouvre pas complètement, c'est que la partie creuse n'est pas correctement insérée dans la partie inférieure du logement.
- Poussez les verrous de la charnière vers le haut contre le cadre de la cavité du four pour les mettre en position de verrouillage.



- Fermez la porte du four.

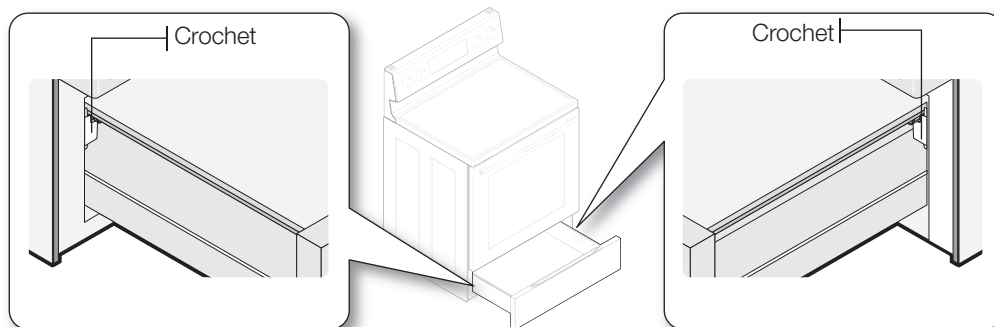
ETRAIT ET REMISE EN PLACE DU TIROIR DE RANGEMENT



Mettez la cuisinière hors tension avant de retirer le tiroir chauffe-plat.

Comment retirer le tiroir de rangement ?

- Tirez le tiroir vers vous jusqu'à ce qu'il arrive en butée.
- Inclinez l'avant du tiroir et tirez-le vers vous jusqu'à ce qu'il arrive en butée.
- Soulevez et tirez le tiroir vers vous.



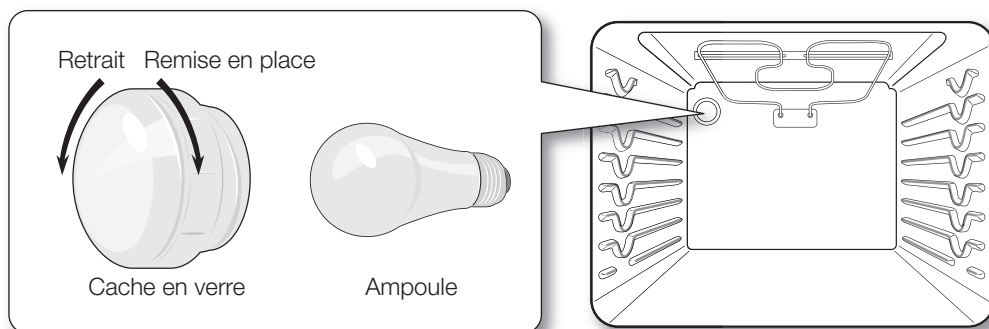
Comment remettre le tiroir de rangement en place ?

- Fixez les côtés du tiroir sur les deux crochets.
- Poussez sur le tiroir jusqu'à ce qu'il arrive en butée.
- Inclinez et soulevez le tiroir.
- Fermez le tiroir.

REPLACEMENT DE L'AMPOULE DU FOUR

L'éclairage du four nécessite une ampoule standard de 40 watts. L'éclairage s'active à l'ouverture de la porte. Lorsque la porte du four est fermée, appuyez sur la touche **OVEN LIGHT (ECLAIRAGE DU FOUR)** pour activer ou désactiver l'éclairage. L'éclairage ne s'active pas durant un cycle d'auto-nettoyage.

1. Assurez-vous que le four et l'ampoule sont froids.
2. Débranchez la cuisinière ou mettez-la hors tension.
3. Tournez le cache en verre situé à l'arrière du four dans le sens inverse des aiguilles d'une montre pour le retirer.
4. Tournez l'ampoule dans le sens inverse des aiguilles d'une montre pour la retirer de sa douille.



5. Remplacez l'ampoule et son cache en verre en les tournant dans le sens des aiguilles d'une montre.
6. Branchez la cuisinière ou mettez-la sous tension.



Avant de remplacer l'ampoule de votre four, débranchez la cuisinière au niveau du panneau de fusibles ou du tableau à disjoncteurs. Assurez-vous que le four et l'ampoule sont froids.

dépannage

DÉPANNAGE

Samsung veille à ce que vous ne rencontriez pas de problèmes lors de l'utilisation de votre nouvelle cuisinière électrique. En cas de problème inattendu, recherchez en premier lieu une solution dans le tableau ci-dessous. Si, après avoir essayé la solution proposée, vous ne parvenez pas à résoudre le problème, contactez Samsung au 1-800-SAMSUNG (1-800-726-7864).

PROBLEME	CAUSE POSSIBLE	SOLUTION															
La cuisinière n'est pas à niveau.	La cuisinière n'a pas été installée correctement.	<ul style="list-style-type: none">Placez la grille de cuisson au centre du four. Placez un niveau sur la grille de cuisson. Ajustez les pieds de mise à niveau situés sur la base de la cuisinière jusqu'à ce que la grille de cuisson soit à niveau.Assurez-vous que le sol est plan et suffisamment solide et stable pour supporter le poids de la cuisinière.															
	Le sol est affaissé ou incliné.	<ul style="list-style-type: none">Contactez un menuisier pour remédier à la situation.															
	Les placards de la cuisine ne sont pas correctement alignés et donnent l'impression que la cuisinière n'est pas à niveau.	<ul style="list-style-type: none">Assurez-vous que les éléments de cuisine sont droits et que l'espace est suffisant pour l'installation.															
L'accès à la cuisinière est nécessaire pour sa réparation mais la déplacer s'avère difficile.	Les éléments de la cuisine ne sont pas droits et situés trop près de la cuisinière.	<ul style="list-style-type: none">Contactez un maçon ou un installateur pour rendre la cuisinière accessible.															
	La moquette interfère avec les mouvements de la cuisinière.	<ul style="list-style-type: none">Ménagez un espace suffisant pour que la cuisinière puisse être soulevée de la moquette.															
La commande du four émet un signal sonore et affiche un code d'erreur F.	Il s'agit d'un code d'erreur de fonction.	<ul style="list-style-type: none">Appuyez sur la touche CLEAR/OFF (EFFACER/ARRET) et redémarrez le four. Si le problème persiste, coupez l'alimentation de la cuisinière pendant 30 secondes puis rétablissez-la. Si le problème n'est pas résolu, contactez le service technique.															
	<table border="1"><thead><tr><th>CODE</th><th>CAUSE</th></tr></thead><tbody><tr><td>-SE-</td><td>Touche court-circuitée</td></tr><tr><td>E-27</td><td>Capteur de four coupé</td></tr><tr><td>E-28</td><td>Capteur de four court-circuité</td></tr><tr><td>E-08</td><td>Erreur de chauffage du four</td></tr><tr><td>E-0A</td><td>Surchauffe du four</td></tr><tr><td>E-0E</td><td>Erreur de verrouillage de la porte</td></tr></tbody></table>		CODE	CAUSE	-SE-	Touche court-circuitée	E-27	Capteur de four coupé	E-28	Capteur de four court-circuité	E-08	Erreur de chauffage du four	E-0A	Surchauffe du four	E-0E	Erreur de verrouillage de la porte	
	CODE		CAUSE														
	-SE-		Touche court-circuitée														
	E-27		Capteur de four coupé														
	E-28		Capteur de four court-circuité														
	E-08		Erreur de chauffage du four														
E-0A	Surchauffe du four																
E-0E	Erreur de verrouillage de la porte																
Les foyers ne maintiennent pas une chaleur continue ou ne cuisent pas assez rapidement.	Un ustensile de cuisine inadapté est utilisé.	<ul style="list-style-type: none">Utilisez des casseroles à fond plat et correspondant au diamètre du foyer sélectionné.															
	A certains endroits, la puissance (tension) peut être faible.	<ul style="list-style-type: none">Placez un couvercle sur la casserole jusqu'à ce que la chaleur souhaitée soit atteinte.															

PROBLEME	CAUSE POSSIBLE	SOLUTION
Les foyers ne s'allument pas.	Un fusible de votre habitation est peut-être grillé ou le disjoncteur a peut-être lâché.	<ul style="list-style-type: none"> Remplacez le fusible concerné ou remettez le disjoncteur en marche.
	Les commandes de la table de cuisson sont mal réglées.	<ul style="list-style-type: none"> Vérifiez que vous utilisez bien la commande correspondant au foyer utilisé.
Le foyer redevient noir lorsqu'un réglage plus faible est sélectionné.	Ce phénomène est tout à fait normal. Le foyer est toujours allumé et chaud.	
Zones de décoloration sur la table de cuisson	Des éclaboussures n'ont pas été nettoyées.	<ul style="list-style-type: none"> Reportez-vous au chapitre traitant de l'entretien et du nettoyage de la table de cuisson vitrée, page 35.
	La surface est chaude et la table de cuisson paraît de couleur claire.	<ul style="list-style-type: none"> Ce phénomène est tout à fait normal. Il est possible que la surface paraisse décolorée lorsqu'elle est chaude. Ce phénomène est provisoire et disparaît lorsque le verre refroidit.
Le foyer s'éteint et se rallume fréquemment.	Ce phénomène est tout à fait normal.	<ul style="list-style-type: none"> Le foyer s'éteint et se rallume afin de conserver la chaleur réglée.
Le four ne s'allume pas.	La cuisinière n'est pas correctement branchée sur la prise murale.	<ul style="list-style-type: none"> Assurez-vous que la cuisinière est branchée sur une prise en état de marche et correctement mise à la terre.
	Un fusible de votre habitation est peut-être grillé ou le disjoncteur a peut-être lâché.	<ul style="list-style-type: none"> Remplacez le fusible concerné ou remettez le disjoncteur en marche.
	Les commandes du four n'ont pas été correctement réglées.	<ul style="list-style-type: none"> Reportez-vous au chapitre concernant le fonctionnement du four.
	Le four est trop chaud.	<ul style="list-style-type: none"> Laissez le four refroidir.
La cuisinière ne s'allume pas.	La cuisinière n'est pas correctement branchée sur la prise murale, un fusible de votre habitation est peut-être grillé ou le disjoncteur a peut-être lâché.	<ul style="list-style-type: none"> Assurez-vous que le cordon d'alimentation est branché sur une prise en état de marche et correctement mis à la terre. Vérifiez le fusible et le disjoncteur.
	Câblage incomplet.	<ul style="list-style-type: none"> Contactez le service technique.
	Coupure de courant.	<ul style="list-style-type: none"> Vérifiez que les lampes de votre habitation s'allument. Au besoin, demandez de l'aide auprès de votre compagnie d'électricité.
L'éclairage du four ne s'allume pas.	L'ampoule est dévissée ou défectueuse.	<ul style="list-style-type: none"> Revissez ou remplacez l'ampoule.
	Le commutateur permettant d'activer l'éclairage est cassé.	<ul style="list-style-type: none"> Contactez le service technique.

PROBLEME	CAUSE POSSIBLE	SOLUTION
Le four émet une fumée excessive durant la cuisson.	Les réglages n'ont pas été effectués correctement.	<ul style="list-style-type: none"> Reportez-vous au chapitre concernant le réglage des commandes du four.
	La viande a été placée trop près de l'élément.	<ul style="list-style-type: none"> Repositionnez la grille de façon à ménager un espace suffisant entre la viande et l'élément. Préchauffez le gril pour saisir la viande.
	La viande n'a pas été correctement préparée.	<ul style="list-style-type: none"> Retirez l'excès de gras de la viande. Coupez les bords gras susceptibles de se recourber, laissant le maigre intact.
	Le gril situé sur la lèchefrite a été positionné face vers le bas, empêchant ainsi la graisse de couler.	<ul style="list-style-type: none"> Positionnez le gril dans la lèchefrite avec les arêtes dirigées vers le haut et les creux vers le bas afin de permettre à la graisse de s'écouler dans le bac.
	La graisse s'est accumulée sur les surfaces du four.	<ul style="list-style-type: none"> Un nettoyage régulier est nécessaire en cas d'utilisation répétée de la fonction gril.
Les aliments ne cuisent pas ou ne sont pas rôtis correctement.	Les commandes du four n'ont pas été correctement réglées.	<ul style="list-style-type: none"> Reportez-vous au chapitre concernant le fonctionnement du four.
	La grille de cuisson n'a pas été positionnée correctement ou n'est pas à niveau.	<ul style="list-style-type: none"> Reportez-vous au chapitre concernant l'utilisation des grilles du four, page 19.
	Un récipient inadapté ou de taille inappropriée est utilisé.	
	Le capteur du four doit être réglé.	<ul style="list-style-type: none"> Reportez-vous au chapitre concernant le réglage du thermostat, page 26.
Les aliments ne grillent pas correctement.	Les commandes du four n'ont pas été correctement réglées.	<ul style="list-style-type: none"> Appuyez sur la touche BROIL (GRIL).
	La grille n'a pas été positionnée correctement.	<ul style="list-style-type: none"> Reportez-vous au guide de cuisson au gril, page 24.
	Le récipient utilisé n'est pas adapté à la cuisson au gril.	<ul style="list-style-type: none"> Utilisez un récipient adapté.
	Le papier d'aluminium utilisé sur la lèchefrite et la grille n'a pas été posé et découpé conformément aux recommandations.	<ul style="list-style-type: none"> Reportez-vous au chapitre concernant la cuisson au gril, page 23.
	Dans certaines zones, la puissance (tension) peut être faible.	<ul style="list-style-type: none"> Préchauffez le gril pour pendant 10 minutes. Reportez-vous au guide de cuisson au gril, page 24.
La température du four est trop chaude ou trop froide.	Le capteur du four doit être réglé.	<ul style="list-style-type: none"> Reportez-vous au chapitre concernant le réglage du thermostat, page 25.
Rayures ou éraflures sur la table de cuisson	La table de cuisson n'est pas correctement nettoyée.	<ul style="list-style-type: none"> Les rayures ne peuvent être ôtées. Les rayures légères s'estomperont dans le temps au fil des nettoyages. Afin d'éviter les rayures, respectez les procédures de nettoyage recommandées. Assurez-vous que les fonds des récipients sont propres avant de les utiliser. Utilisez également des récipients à fond lisse.
	Des récipients à fond rugueux ont été en contact avec la table de cuisson ou bien des particules importantes comme du gros sel ou du sable se sont trouvées entre les récipients et la table de cuisson.	
	Vous avez fait glisser des récipients sur la table de cuisson.	

PROBLEME	CAUSE POSSIBLE	SOLUTION
Trainées ou tâches brunes	Des plats cuisinés ont débordé sur la table de cuisson.	<ul style="list-style-type: none"> Utilisez le grattoir à lame pour retirer les salissures. Reportez-vous au chapitre relatif à l'entretien et au nettoyage de la table de cuisson vitrée, page 35.
Zones de décoloration à reflets métalliques	Des dépôts minéraux d'eau et d'aliments sont restés sur la table de cuisson.	<ul style="list-style-type: none"> Supprimez-les à l'aide d'une crème nettoyante spéciale pour surface de cuisson en verre et céramique. Utilisez des récipients à fond propre et sec.
Le four ne s'auto-nettoie pas.	La température du four est trop élevée pour permettre de programmer un auto-nettoyage.	<ul style="list-style-type: none"> Laissez la cuisinière refroidir et réinitialisez les commandes.
	Les commandes du four n'ont pas été correctement réglées.	<ul style="list-style-type: none"> Reportez-vous au chapitre relatif à l'auto-nettoyage, page 30.
	Un cycle d'auto-nettoyage ne peut démarrer si le dispositif de verrouillage du four a été activé ou si un foyer radiant est activé.	
Bruit de « craquement » ou de « crépitement »	Ce bruit provient du métal lorsqu'il chauffe et qu'il refroidit pendant les fonctions de cuisson et de nettoyage.	<ul style="list-style-type: none"> Ce phénomène est tout à fait normal.
Fumée excessive durant un cycle d'auto-nettoyage	L'intérieur de votre four est excessivement sale.	<ul style="list-style-type: none"> Appuyez sur la touche CLEAR/OFF (EFFACER/ARRET). Ouvrez les fenêtres pour évacuer la fumée de la pièce. Attendez que le cycle d'auto-nettoyage soit annulé. Essuyez la saleté excessive et programmez un nouvel auto-nettoyage.
La porte du four ne s'ouvre pas après un cycle d'auto-nettoyage.	Le four est trop chaud.	<ul style="list-style-type: none"> Laissez le four refroidir.
Le four est toujours sale après un cycle d'auto-nettoyage.	Les commandes du four n'ont pas été correctement réglées.	<ul style="list-style-type: none"> Reportez-vous au chapitre relatif à l'auto-nettoyage, page 30.
	Le four était très sale.	<ul style="list-style-type: none"> Essuyez les éclaboussures importantes avant de démarrer le cycle d'auto-nettoyage. Les fours excessivement sales nécessitent un nouvel auto-nettoyage plus long.
Vapeur provenant de la ventilation	En cas d'utilisation de la fonction de convection, il est normal que de la vapeur s'échappe des orifices de ventilation du four.	<ul style="list-style-type: none"> Ce phénomène est tout à fait normal.
	La quantité de vapeur visible augmente proportionnellement au nombre de grilles ou à la quantité d'aliments en cours de cuisson.	
Odeur de brûlé ou d'huile provenant de la ventilation	Ce phénomène est tout à fait normal dans le cas d'un four neuf. L'odeur disparaîtra au fil des utilisations.	<ul style="list-style-type: none"> Pour accélérer la disparition de ce phénomène, programmez un cycle d'auto-nettoyage d'une durée minimale de 3 heures. Reportez-vous au chapitre relatif à l'auto-nettoyage, page 30.

PROBLEME	CAUSE POSSIBLE	SOLUTION
Odeur forte	Il est normal de constater une odeur provenant de l'isolation de la cavité du four lors des premières utilisations de votre four.	<ul style="list-style-type: none"> • Cette odeur est provisoire.
Bruit au niveau du ventilateur	Un ventilateur de convection peut se déclencher ou s'arrêter automatiquement.	<ul style="list-style-type: none"> • Ce phénomène est tout à fait normal.
Vous avez des difficultés à faire glisser les grilles du four.	Les grilles, brillantes et de couleur argentée, ont été nettoyées au cours d'un cycle d'auto-nettoyage.	<ul style="list-style-type: none"> • A l'aide de papier absorbant imbibé d'huile végétale, essuyez les bords des grilles du four.
L'affichage s'atténue.	Un fusible de votre habitation est peut-être grillé ou le disjoncteur a peut-être lâché.	<ul style="list-style-type: none"> • Remplacez le fusible concerné ou remettez le disjoncteur en marche.
L'affichage clignote.	Une coupure de courant s'est produite.	<ul style="list-style-type: none"> • Réglez l'heure à nouveau.
Le tiroir ne glisse pas correctement ou se bloque.	Le tiroir n'est pas correctement aligné.	<ul style="list-style-type: none"> • Ouvrez complètement le tiroir et repoussez-le au maximum. Voir page 38.
	Le tiroir est surchargé ou sa charge est mal répartie.	<ul style="list-style-type: none"> • Réduisez-en le poids. Réorganisez le contenu du tiroir.
Le tiroir chauffe-plat ne fonctionne pas.	Un fusible de votre habitation est peut-être grillé ou le disjoncteur a peut-être lâché.	<ul style="list-style-type: none"> • Remplacez le fusible concerné ou remettez le disjoncteur en marche.
	Les commandes n'ont pas été correctement réglées.	<ul style="list-style-type: none"> • Reportez-vous au chapitre concernant le tiroir chauffe-plat, page 16.
Condensation excessive dans le tiroir	Du liquide se trouve dans le tiroir.	<ul style="list-style-type: none"> • Retirez le liquide.
	Aliments non couverts.	<ul style="list-style-type: none"> • Couvrez les aliments d'un couvercle ou de papier d'aluminium.
	La température réglée est trop importante.	<ul style="list-style-type: none"> • Réglez la température à un niveau inférieur.
Les aliments s'assèchent dans le tiroir chauffe-plat.	De l'humidité s'échappe.	<ul style="list-style-type: none"> • Couvrez les aliments d'un couvercle ou de papier d'aluminium.
	Le tiroir n'est pas complètement fermé.	<ul style="list-style-type: none"> • Poussez le tiroir jusqu'à engagement du loquet.

NE PAS JETER LE PRÉSENT DOCUMENT, QUI REMPLACE LA PAGE SUR LA GARANTIE QUI FIGURE DANS LE GUIDE D'UTILISATION ET D'ENTRETIEN

CUISINIÈRE ÉLECTRIQUE SAMSUNG

GARANTIE LIMITÉE DE L'ACHETEUR INITIAL

Ce produit de marque SAMSUNG, qui est fourni et distribué par SAMSUNG ELECTRONICS CANADA INC. (SAMSUNG) et livré à l'état neuf, dans la boîte originale à l'acheteur initial, est garanti par SAMSUNG contre tout défaut de fabrication sur les pièces et la main d'œuvre pendant une période limitée de :

Un (1) an sur les pièces et la main d'œuvre, cinq (5) ans sur les pièces de la surface de cuisson en vitrocéramique et de l'élément de surface radiant

Pendant la durée de la présente garantie supplémentaire limitée de quatre ans, vous serez responsable des frais de main d'œuvre et des frais de service à domicile.

La présente garantie limitée commence à la date d'achat initiale et n'est valide qu'à l'égard des produits qui ont été achetés et sont utilisés au Canada. Pour bénéficier du service prévu par la garantie, l'acheteur doit communiquer avec SAMSUNG afin que celle-ci diagnostique le problème et établisse la méthode de service. Le service prévu par la garantie ne peut être exécuté que par un centre de service autorisé de SAMSUNG et tout service non autorisé annule la présente garantie. Le contrat de vente initial daté doit être présenté sur demande comme preuve d'achat à SAMSUNG ou au centre de service autorisé de SAMSUNG. SAMSUNG assurera sans frais le service à domicile pendant une période de un (1) an, sous réserve des services offerts au Canada. Le service à domicile n'est pas offert dans toutes les régions. Pour que le service à domicile soit offert, aucun obstacle ne doit empêcher l'agent de service d'accéder au produit. Si le service n'est pas offert, SAMSUNG peut décider de faire transporter le produit à destination et en provenance d'un centre de service autorisé.

Si ce produit se révèle défectueux pendant la période de garantie limitée indiquée ci-dessus, SAMSUNG le réparera en utilisant des pièces neuves ou remises à neuf ou le remplacera par un produit neuf ou remis à neuf, à son gré et à ses frais, comme il est stipulé dans les présentes. Les pièces et les produits qui sont remplacés deviennent la propriété de SAMSUNG et doivent être retournés à celle-ci. Les pièces et les produits de remplacement sont visés par la garantie initiale qui reste à écouler ou pendant quatre vingt dix (90) jours, selon la période la plus longue.

La présente garantie limitée vise les vices de fabrication sur les pièces et la main d'œuvre dans le cadre de l'utilisation domestique normale non commerciale du produit par une seule famille et ne s'applique pas aux éléments suivants : les dommages survenus au cours de l'expédition, de la livraison et de l'installation ; les applications et les utilisations non prévues de ce produit (voir le manuel de l'utilisateur) ; les numéros de produit ou de série qui ont été modifiés ; les dommages d'ordre esthétique ou au fini extérieur ; les accidents, l'utilisation abusive, la négligence, les incendies, les dégâts d'eau, la foudre ou les autres cas fortuits ; l'utilisation de produits, de matériel, de systèmes, de services, de pièces, de fournitures et d'accessoires, les applications, les installations, les réparations, le câblage externe ou les connecteurs qui ne sont pas fournis ou autorisés par SAMSUNG et endommagent ce produit ou donnent lieu à des problèmes de service, la tension électrique inappropriée ainsi que la fluctuation ou les sautes de tension ; les ajustements faits par le client et le défaut de suivre les instructions d'exploitation et d'entretien ainsi que les instructions sur le plan environnemental qui sont visées par la garantie et stipulées dans le manuel d'instruction ; l'enlèvement et la réinstallation du produit ; les problèmes causés par les infestations d'animaux nuisibles, la surchauffe et la surcuisson par l'utilisateur.

La présente garantie limitée ne s'applique pas aux problèmes liés au courant, à la tension ou à l'alimentation électrique inappropriée, aux ampoules électriques, aux fusibles, au câblage domestique ni aux frais des appels de service pour obtenir des instructions ou corriger des erreurs d'installation. Elle ne s'applique pas non plus aux dommages causés à la surface en vitrocéramique par l'utilisation de nettoyeurs et tampons récurrents autres que ceux qui sont recommandés ou par les déversements durcis d'aliments sucrés ou de plastique fondu qui ne sont pas nettoyés conformément aux directives indiquées dans le manuel d'utilisation et d'entretien. SAMSUNG ne garantit pas le fonctionnement sans interruption ou sans erreur de ce produit.

SAUF POUR CE QUI EST STIPULÉ DANS LES PRÉSENTES, CE PRODUIT NE COMPORTE AUCUNE AUTRE GARANTIE OU CONDITION, EXPLICITE OU IMPLICITE, ET SAMSUNG DÉCLINE TOUTES LES GARANTIES ET CONDITIONS, Y COMPRIS LES GARANTIES ET LES CONDITIONS DE QUALITÉ MARCHANDE, DE CONTREFAÇON OU D'ADAPTATION À UN USAGE PARTICULIER. AUCUNE GARANTIE DONNÉE À UNE PERSONNE, UNE ENTREPRISE OU UNE SOCIÉTÉ PAR ACTIONS RELATIVEMENT À CE PRODUIT NE LIE SAMSUNG. SAMSUNG N'EST PAS RESPONSABLE DE LA PERTE DE REVENUS OU DE PROFITS, DU DÉFAUT DE RÉALISER DES ÉCONOMIES OU D'AUTRES AVANTAGES OU DE TOUT AUTRE DOMMAGE GÉNÉRAL, INDIRECT OU CONSÉCUTIF CAUSÉ PAR L'UTILISATION, LA MAUVAISE UTILISATION OU L'INCAPACITÉ D'UTILISER CE PRODUIT, QUEL QUE SOIT LE PRINCIPE DE DROIT SUR LEQUEL EST FONDÉE LA RÉCLAMATION ET MÊME SI SAMSUNG A ÉTÉ INFORMÉE DE L'ÉVENTUALITÉ DE TELS DOMMAGES. LE RECOURS À DES SOMMES DE QUELQUE TYPE QUE CE SOIT APRÈS DE SAMSUNG NE PEUT EXCÉDER LE PRIX D'ACHAT DU PRODUIT QUI A ÉTÉ VENDU PAR SAMSUNG ET QUI A CAUSÉ LE DOMMAGE ALLÉGUÉ. SANS LIMITER LA PORTÉE DE CE QUI PRÉCÈDE, L'ACHETEUR ASSUME TOUS LES RISQUES ET LA RESPONSABILITÉ QUANT À LA PERTE, AUX DOMMAGES OU AUX PRÉJUDICES QU'IL SUBIT OU QUE SES BIENS, DES TIERS OU LES BIENS DE TIERS SUBISSENT EN RAISON DE L'UTILISATION, DE LA MAUVAISE UTILISATION OU DE L'INCAPACITÉ D'UTILISER CE PRODUIT. LA PRÉSENTE GARANTIE LIMITÉE NE S'APPLIQUE PAS À UNE PERSONNE AUTRE QUE L'ACHETEUR INITIAL DE CE PRODUIT, EST INCESSIBLE ET STIPULE LES RECOURS EXCLUSIFS DE L'ACHETEUR.

Certains territoires ne permettent pas que la durée d'une garantie implicite soit limitée ou que des dommages accessoires ou consécutifs soient exclus ou limités, de sorte que les limites ou les exclusions ci-dessus peuvent ne pas s'appliquer à vous. La présente garantie vous donne des droits exprimés en vertu de la loi. Vous pouvez également détenir d'autres droits qui varient d'une province à l'autre.

Pour bénéficier du service prévu par la présente garantie, veuillez communiquer avec SAMSUNG à l'adresse suivante :

**SAMSUNG ELECTRONICS CANADA INC.,
55 STANDISH COURT MISSISSAUGA ONTARIO, L5R 4B2
1-800-SAMSUNG (726-7864) et www.samsung.com/ca**



UNE QUESTION ? UN COMMENTAIRE ?

PAYS	TELEPHONE	SITE INTERNET
AUX ETATS-UNIS	1-800-SAMSUNG (726-7864)	www.samsung.com/us
AU CANADA	1-800-SAMSUNG (726-7864)	www.samsung.com/ca

DG68-00153A

Free Manuals Download Website

<http://myh66.com>

<http://usermanuals.us>

<http://www.somanuals.com>

<http://www.4manuals.cc>

<http://www.manual-lib.com>

<http://www.404manual.com>

<http://www.luxmanual.com>

<http://aubethermostatmanual.com>

Golf course search by state

<http://golfingnear.com>

Email search by domain

<http://emailbydomain.com>

Auto manuals search

<http://auto.somanuals.com>

TV manuals search

<http://tv.somanuals.com>