

DAY&NIGHT IR LED CAMERA

operating instructions



ENG

FRA

GER

SPA

ITA

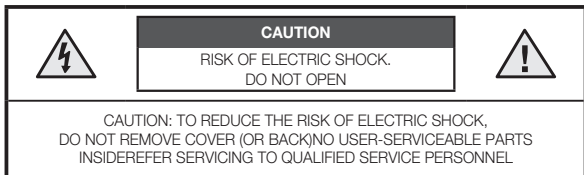
imagine the possibilities

Thank you for purchasing this Samsung product.
To receive more complete service, please register
your product at

www.samsung.com/global/register

SAMSUNG

safety precautions



This symbol indicates that dangerous voltage consisting a risk of electric shock is present within this unit.



This symbol indicates that there are important operating and maintenance instructions in the literature accompanying this unit.

WARNING

- To reduce the risk of fire or electric shock, do not expose this appliance to rain or moisture.

WARNING

1. Be sure to use only the standard adapter that is specified in the specification sheet. Using any other adapter could cause fire, electrical shock, or damage to the product.
2. Incorrectly connecting the power supply or replacing battery may cause explosion, fire, electric shock, or damage to the product.
3. Do not connect multiple cameras to a single adapter. Exceeding the capacity may cause abnormal heat generation or fire.
4. Securely plug the power cord into the power receptacle. Insecure connection may cause fire.
5. When installing the camera, fasten it securely and firmly. A falling camera may cause personal injury.
6. Do not place conductive objects (e.g. screwdrivers, coins, metal things, etc.) or containers filled with water on top of the camera. Doing so may cause personal injury due to fire, electric shock, or falling objects.
7. Do not install the unit in humid, dusty, or sooty locations. Doing so may cause fire or electric shock.
8. If any unusual smells or smoke come from the unit, stop using the product. In such case, immediately disconnect the power source and contact the service centre. Continued use in such a condition may cause fire or electric shock.
9. If this product fails to operate normally, contact the nearest service centre. Never disassemble or modify this product in any way. (SAMSUNG is not liable for problems caused by unauthorized modifications or attempted repair.)
10. When cleaning, do not spray water directly onto parts of the product. Doing so may cause fire or electric shock.

CAUTION

1. Do not drop objects on the product or apply strong shock to it.
Keep away from a location subject to excessive vibration or magnetic interference.
2. Do not install in a location subject to high temperature (over 122°F), low temperature (below 14°F), or high humidity. Doing so may cause fire or electric shock.
3. If you want to relocate the already installed product, be sure to turn off the power and then move or reinstall it.
4. Remove the power plug from the outlet when there is a lightning.
Neglecting to do so may cause fire or damage to the product.
5. Keep out of direct sunlight and heat radiation sources. It may cause fire.
6. Install it in a place with good ventilation.
7. Avoid aiming the camera directly towards extremely bright objects such as sun, as this may damage the CCD image sensor.
8. Apparatus shall not be exposed to dripping or splashing and no objects filled with liquids, such as vases, shall be placed on the apparatus.
9. The Mains plug is used as a disconnect device and shall stay readily operable at any time.

important safety instructions

1. Read these instructions.
2. Keep these instructions.
3. Heed all warnings.
4. Follow all instructions.
5. Do not use this apparatus near water.
6. Clean only with dry cloth.
7. Do not block any ventilation openings.
Install in accordance with the manufacturer's instructions.
8. Do not install near any heat sources such as radiators, heat registers, or other apparatus (including amplifiers) that produce heat.
9. Do not defeat the safety purpose of the polarized or grounding-type plug.
A polarized plug has two blades with one wider than the other.
A grounding type plug has two blades and a third grounding prong.
The wide blade or the third prong is provided for your safety.
If the provided plug does not fit into your outlet, consult an electrician for replacement of the obsolete outlet.
10. Protect the power cord from being walked on or pinched particularly at plugs, convenience receptacles, and the point where they exit from the apparatus.
11. Only use attachments/accessories specified by the manufacturer.
12. Use only with cart, stand, tripod, bracket, or table specified by the manufacturer, or sold with the apparatus.
13. Unplug this apparatus. When a cart is used, use caution when moving the cart/apparatus combination to avoid injury from tip-over.
14. Refer all servicing to qualified service personnel.
Servicing is required when the apparatus has been damaged in any way, such as power-supply cord or plug is damaged, liquid has been spilled or objects have fallen into the apparatus, the apparatus has been exposed to rain or moisture, does not operate normally, or been dropped.

contents

FEATURES **02** Features

02

THINGS TO KEEP IN MIND **02** Things to keep in mind during installation and
DURING INSTALLATION use

02

FUNCTION & **03** Function
INSTALLATION **04** Installation method

03

TROUBLESHOOTING **05** Troubleshooting

05

SPECIFICATIONS **06** Specifications

06

DIMENSIONS **07** Dimensions

07

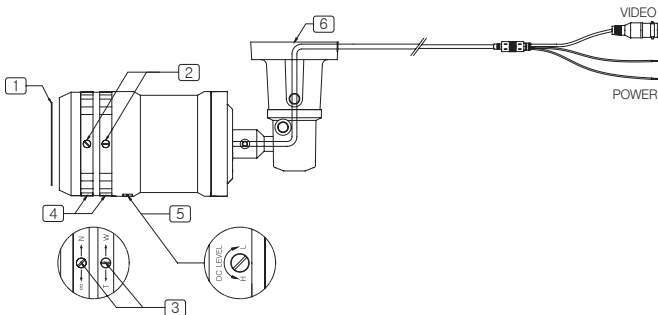
features

- SONY 1/3" Super HAD High-resolution Colour CCD
- Resolution: 540TVL (Colour), 570TVL (B/W)
- Externally Adjustable Focal Length & Focus by Rings
- Filter Changeable Vari-Focal DC Auto Iris 3.8~9.5mm F1.2 Lens Built -in.
- Colour & B/W Auto Switchable by Photocell and Sensitivity
- CDS Auto Switching IR LED Control (42 IR LEDs)
- Externally Adjustable DC Iris Level
- Dip Switch control of Day & Night time delay, Flickerless BLC and White Balance
- AC24V/DC12V Dual Power Available
- Waterproof Outdoor Installation (IP-66)

things to keep in mind during installation and use

- Do not disassemble the camera on your own.
- Always be careful when handling the camera. Do not strike the camera by your fists or shake it. Please be careful not to be careless when storing and operating it.
- Do not place or operate the camera in any wet environment such as rain or wet surfaces.
- Do not clean the camera with rough sandpaper. Please always use a dry cloth when cleaning it.
- Put the camera in a cool area free from direct sunlight. Otherwise, the camera may be damaged.

function & installation



[THE OTHER SIDE VIEW]

FUNCTION

- 1 **Protective Film over Front Glass** : Remove this film before operating the Camera.
- 2 **Focus/Zoom Lever Bolt Screws**: Used to fix the Focus/Zoom ring to the lens internally.
Be careful not to lose this small bolt screws which need not be touched other than by a service technician.
- 3 **Focus/Zoom Ring Fixing Screws**: Used to fix the Focus/Zoom Ring at the desired position after adjusting the lens angle and focus setting as described below.
- 4 **Focus and Zoom Ring**: These two rings are used to accurately adjust the viewing angle and to sharply focus all objects within the lens field of view.
 - Loosen the fixing screws (3) to turn the Zoom and Focus ring.
 - i) To widen the viewing angle turn the "Zoom Ring" to "W" (Wide).
 - ii) To obtain a closer view turn this ring to "T" (Tele).
 - After adjustment of the viewing angle then adjust the "Focus Ring" between "N" (Near) or "∞" (Far) until the sharpest focus is achieved.
 - Then tighten the fixing screws (3) on each ring.
 - After tightening you should check that angle and focus is still accurate.
- 5 **DC Level Volume Screw Cap** :
 - Loosen the DC level volume screw cap on the camera body.
 - i) For a brighter screen turn the DC level volume slowly toward "H" (counter-clockwise),
 - ii) For a darker screen turn it toward "L" (clockwise) with a driver.
- 6 **Bracket** : Used to install the camera to the desired location.

INSTALLATION METHOD

Bracket & Camera Mounting

- Install the Mounting Bracket at the desired location.

Connecting to Monitor and Power

- Set the impedance switch to the 75 Ω standard position unless a video equipment is connected to the monitor video out.
- Adaptor: AC24V / 800mA or DC12V / 1A (AC24V / DC12V Model)



- Be sure to connect power after all the installation is done.
- Do not use power sources other than that specified.

- After adjusting view angle, cap over the camera with the sun-shield and fix it to the camera with the sun-shield bolt.

If you have trouble operating the camera, check the following guides for the possible problem.

- **Nothing appears on the screen.**
 - Check the power connection and video signal line connection.
 - Check the brightness level of DC Auto Iris volume of the camera.
- **The video image is not clear.**
 - Check if the camera glass has dust on the surface.
Clean the camera glass with a clean cloth or brush.
 - Make sure that the screen is not exposed directly to a bright light.
Adjust the position of the camera if necessary.
 - Check if protective film of camera glass is removed.
- **The screen is dark**
 - Adjust the brightness feature of the monitor.
 - Check the brightness level of DC Auto Iris volume of the camera.
- **The screen does not properly display when IR LEDs work.**
 - Check if the camera glass has dust.
 - Clean the camera glass with a clean cloth or brush.

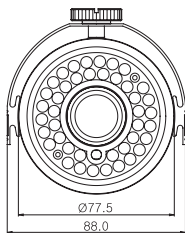
If you cannot solve the problem with above guidelines, please contact an authorized technician.

specifications

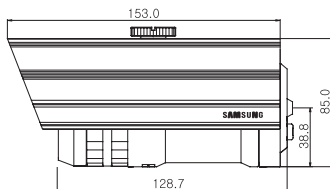
| ITEM | PAL |
|----------------------|---|
| Image Sensor | 1/3" Interline transfer type colour CCD (SONY) |
| Effective Pixels | 752H x 582V (440K pixels) |
| Scanning System | 625 Lines 2:1 Interlace |
| Scanning Frequency | 15.625KHz (H), 50Hz (V) |
| Resolution | 540TVL (Colour), 570TVL (B/W) |
| Shutter Speed | 1/50 sec. |
| S/N Ratio | More than 48dB (AGC Off) |
| Sync. System | Internal |
| Min. Illumination | 0 Lux (IR LED On) |
| White Balance | ATW / AWC selectable |
| Video Output | VBS 1.0 Vp-p (75Ω Load) |
| Lens | 3.8~9.5mm Vari -Focal, DC Auto Iris F1.2 Day & Night Lens |
| Power Supply(*) | AC24V±10%, DC12V±10% |
| Power Consumption | 2.5W(LED Off)/7.8W(LED On) |
| Operating Temp. | -10°C~50°C (14°F~122°F) |
| Operational Humidity | Max. 90% RH |
| Dimensions | 77.5mm (Ø) x 129mm (L) |

(*) Must use regulated & specified power supply.

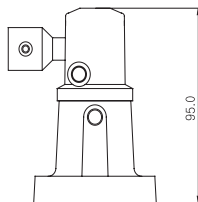
dimensions



[IR-LED 42pcs]



[BODY & SUN-SHIELD]



[BRACKET]



Correct Disposal of This Product

(Waste Electrical & Electronic Equipment)

(Applicable in the European Union and other European countries with separate collection systems)

This marking shown on the product or its literature, indicates that it should not be disposed with other household wastes at the end of its working life. To prevent possible harm to the environment or human health from uncontrolled waste disposal, please separate this from other types of wastes and recycle it responsibly to promote the sustainable reuse of material resources.

Household users should contact either the retailer where they purchased this product, or their local government office, for details of where and how they can take this item for environmentally safe recycling.

Business users should contact their supplier and check the terms and conditions of the purchase contract. This product should not be mixed with other commercial wastes for disposal.

Free Manuals Download Website

<http://myh66.com>

<http://usermanuals.us>

<http://www.somanuals.com>

<http://www.4manuals.cc>

<http://www.manual-lib.com>

<http://www.404manual.com>

<http://www.luxmanual.com>

<http://aubethermostatmanual.com>

Golf course search by state

<http://golfingnear.com>

Email search by domain

<http://emailbydomain.com>

Auto manuals search

<http://auto.somanuals.com>

TV manuals search

<http://tv.somanuals.com>