

MX-FS9000

PREMIUM HI-FI Component System  
MP3/WMA/CD-DA Playback with CD/USB  
user's manual



Imagine the possibilities

Thank you for purchasing this Samsung product.  
To receive more complete service,  
please register your product at  
[www.samsung.com/register](http://www.samsung.com/register)



# Safety Warnings

TO REDUCE THE RISK OF ELECTRIC SHOCK, DO NOT REMOVE THE COVER (OR BACK).  
NO USER-SERVICEABLE PARTS ARE INSIDE. REFER SERVICING TO QUALIFIED SERVICE PERSONNEL.

	<b>CAUTION</b> RISK OF ELECTRIC SHOCK DO NOT OPEN	
This symbol indicates "dangerous voltage" inside the product that presents a risk of electric shock or personal injury.	<b>CAUTION</b> : TO PREVENT ELECTRIC SHOCK, MATCH WIDE BLADE OF PLUG TO WIDE SLOT, FULLY INSERT.	This symbol indicates important instructions accompanying the product.

## WARNING

- To reduce the risk of fire or electric shock, do not expose this appliance to rain or moisture.

## CAUTION

- Do not expose this device to dripping or splashing. Do not place items containing liquids, such as vases, on this device.
- To turn this device off entirely, you must disconnect its AC plug from the wall outlet. Consequently, the plug and AC wall outlet must be readily accessible at all times.
- Use only a properly grounded plug and receptacle.
  - An improper ground may cause electric shock or equipment damage. (Class I Equipment only).
- CLASS 3B VISIBLE AND INVISIBLE LASER RADIATION WHEN OPEN. AVOID EXPOSURE TO THE BEAM (IEC 60825-1)
- THIS PRODUCT UTILIZES A LASER. USE OF CONTROLS OR ADJUSTMENTS OR PERFORMANCE OF PROCEDURES OTHER THAN THOSE SPECIFIED HEREIN MAY RESULT IN HAZARDOUS RADIATION EXPOSURE. DO NOT OPEN COVER AND DO NOT REPAIR YOURSELF. REFER SERVICING TO QUALIFIED PERSONNEL.

CLASS 1 LASER PRODUCT  
KLASSE 1 LASER PRODUKT  
LUOKAN 1 LASER LAITE  
KLASS 1 LASER APPARAT  
PRODUCTO LÁSER CLASE 1

## CLASS 1 LASER PRODUCT

This Compact Disc player is classified as a CLASS 1 LASER product.

Use of controls, adjustments or performance of procedures other than those specified herein may result in hazardous radiation exposure.

## DANGER :

- Complies with 21CFR 1040.10 except for deviations pursuant to Laser Notice No. 50, dated June 24, 2007
- VISIBLE AND INVISIBLE LASER RADIATION WHEN OPEN. AVOID DIRECT EXPOSURE TO BEAM. (FDA 21 CFR)

## FCC NOTES (for U.S.A)

This equipment has been tested and found to comply with the limits for a Class B digital device, pursuant to Part 15 of the FCC rules.

These limits are designed to provide reasonable protection against harmful interference in a residential installation. This equipment generates, uses and can radiate radio frequency energy and, if not installed and used in accordance with the instructions, may cause harmful interference to radio or television reception, which can be determined by turning the equipment off and on.

If interference is present, the user is encouraged to try to correct the interference by one or more of the following measures:

- Reorient or relocate the receiving antenna.
- Increase the separation between the equipment and receiver.
- Connect this equipment to an outlet on a circuit different from that to which the receiver is connected.
- Consult the dealer or an experienced radio/TV technician for help.

This class B digital product meets all requirements of the Canadian Interference - Causing Equipment Regulations.

## Important Safety Instructions

Read these operating instructions carefully before using the unit. Follow all the safety instructions listed below. Keep these operating instructions handy for future reference.

- Read these instructions.
- Keep these Instructions.
- Heed all warnings.
- Follow all instructions.
- Do not use this apparatus near water.
- Clean only with dry cloth.
- Do not block any ventilation openings. Install in accordance with the manufacturer's instructions.
- Do not install near any heat sources such as radiators, heat registers, stoves, or other apparatus (including amplifiers) that produce heat.
- Do not defeat the safety purpose of the polarized or grounding-type plug. A polarized plug has two blades with one wider than the other. A grounding type plug has two blades and a third grounding prong. The wide blade or the third prong are provided for your safety. If the provided plug does not fit into your outlet, consult an electrician for replacement of the obsolete outlet.
- Protect the power cord from being walked on or pinched particularly at plugs, convenience receptacles, and the point where they exit from the apparatus.
- Only use attachment/accessories specified by the manufacturer.
- Use only with the cart, stand, tripod, bracket, or table specified by the manufacturer, or sold with the apparatus. When a cart is used, use caution when moving the cart/apparatus combination to avoid injury from tip-over.
- Unplug this apparatus during lightning storms or when unused for long periods of time.
- Refer all servicing to qualified service personnel. Servicing is required when the apparatus has been damaged in any way, such as when the power-supply cord or plug is damaged, liquid has been spilled or objects have fallen into the apparatus, the apparatus has been exposed to rain or moisture, does not operate normally, or has been dropped.



# Important Information on Use

## Precautions

- Ensure that the AC power supply in your house complies with the identification sticker located on the back of your product.
- Install your product horizontally, on a suitable base (furniture), with enough space around it for ventilation (7.5~10cm).
- Do not place the product on amplifiers or other equipment which may become hot. Make sure the ventilation slots are not covered.
- Do not stack anything on top of the product.
- Before moving the product, ensure the Disc Insert Slot is empty.
- To turn off the product completely, disconnect the AC plug from the wall outlet. Disconnect the AC plug from the wall outlet if you will leave the device unused for a long period of time.
- During thunderstorms, disconnect the AC plug from the wall outlet. Voltage peaks due to lightning could damage the product.
- Do not expose the product to direct sunlight or other heat sources. This could cause the product to overheat and malfunction.
- Protect the product from moisture, and excess heat or equipment creating strong magnetic or electric fields (i.e. speakers.).
- Disconnect the power cable from the AC supply if the product malfunctions.
- Your product is not intended for industrial use. It is for personal use only.
- Condensation may occur if your product or disc has been stored in cold temperatures. If transporting the product during the winter, wait approximately 2 hours until the product has reached room temperature before using.
- The batteries used with this product contain chemicals that are harmful to the environment. Do not dispose of batteries in the general household trash.
- Maintain an open space of approximately 6 inches (15 cm) on the sides and rear of the system, for ventilation purposes.
- Place the loudspeakers at a reasonable distance on either side of the system to ensure good stereo sound.
- Direct the loudspeakers towards the listening area.

## Cautions On Handling And Storing Discs

Small scratches on the disc may reduce sound and picture quality or cause skipping.

Be especially careful not to scratch discs when handling them.

## Holding Discs

- Do not touch the playback side of the disc.
- Hold the disc by the edges so that fingerprints will not get on the surface.
- Do not stick paper or tape on the disc.



## Disc Storage

- Do not keep in direct sunlight.
- Keep in a cool ventilated area.
- Keep in a clean protective jacket.  
Store vertically.
- Do not allow the discs to become contaminated with dirt.
- Do not load cracked or scratched discs.

## Handling and Storing Discs

If you get fingerprints or dirt on a disc, clean it with a mild detergent diluted in water and wipe with a soft cloth.

- When cleaning, wipe gently from the inside to the outside of the disc
- Condensation may form if warm air comes into contact with cold parts inside the product. When condensation forms inside the product, it may not operate correctly. If this occurs, remove the disc and let the product stand for 1 or 2 hours with the power on.

## Disc Types And Disc Format

This product does not support Secure (DRM) Media files.

### CD-R Discs

- Some CD-R discs may not be playable depending on the disc recording device (CD-Recorder or PC) and the condition of the disc.
- Use 650MB/74 minute CD-R discs.  
Do not use CD-R discs over 700MB/80 minutes as they may not be played back.
- Some CD-RW (Rewritable) media may not be playable.
- Only CD-Rs that are properly "closed" can be fully played. If the session is closed, but the disc is left open, you may not be able to fully play the disc.

### CD-R MP3/WMA Discs

- Only CD-R discs with MP3 files in ISO 9660 or Joliet format can be played.
- MP3 file names should contain no blank spaces or special characters ( , / = +).
- Use discs recorded with a compression/decompression data rate greater than 128Kbps.
- Only files with the ".mp3" and ".wma" extensions can be played.
- Only a consecutively written multisession disc can be played. If there is a blank segment in the Multisession disc, the disc can be played only up to the blank segment.
- If the disc is not closed, it will take longer to begin playback and not all of the recorded files may play.
- For files encoded in Variable Bit Rate (VBR) format, i.e. files encoded in both low bit rate and high bit rate (e.g., 32Kbps ~ 320Kbps), the sound may skip during playback.
- A maximum of 999 files can be played per CD.
- Supported Audio Formats (Bit Rate):WMA 56~128kbps, MP3 80~320kbps

# Contents

## Contents

Thank you for buying this SAMSUNG Hi-Fi-Component system.

Please take time to read these instructions.

They will allow you to operate your system with ease and take full advantage of its features.

<b>Safety Warnings</b> .....	2	Move FOLDER .....	12
<b>Important Information On Use</b> .....	3	How to safely remove the USB device.....	12
Precautions.....	3	Read Before Using the USB Storage	
Cautions On Handling And Storing Discs		Devices.....	12
.....	3	Bluetooth .....	12
Disc Types And Disc Format.....	3	What is Bluetooth?.....	12
<b>Accessories</b> .....	4	To connect the Hi-Fi Component to a	
<b>Description</b> .....	5	Bluetooth device.....	12
Front Panel .....	5	To disconnect the Bluetooth device from	
Rear Panel.....	6	Hi-Fi Component.....	13
Remote Control .....	7	To disconnect the Hi-Fi Component	
Installing Batteries In The Remote		from the Bluetooth device.....	13
Control .....	7	Using My Karaoke .....	13
Connecting the Speakers .....	8	10 Skip Function.....	14
Attaching the speaker feet .....	8	Auto Change Function.....	14
<b>Basic Functions</b> .....	9	Listening to the Radio .....	14
The Display function.....	9	To Store the Stations You Want .....	14
Playing CDs.....	9	Selecting a Stored Station .....	14
Loading a Compact Disc.....	9	<b>Advanced Functions</b> .....	15
CD/MP3/WMA-CD Playback .....	9	Timer Function.....	15
Selecting a Track.....	10	Setting the Clock.....	15
Searching for a Track/Folder Quickly .....	10	Setting the Timer .....	15
Searching for a Specific Music Passage		Cancelling the Timer .....	16
on a CD.....	10	The Recording Function.....	16
Repeat One or All Tracks on a CD.....	10	Basic Recording .....	16
A-B Repeat Playback .....	10	Recording Speed .....	17
CD Programming .....	10	Special Sound Effect.....	17
Viewing or Editing the Programmed		Selecting EQ Mode .....	17
Track .....	11	Using the FOOTBALL Mode.....	17
Playing USB Devices .....	11	GIGA SOUND Function .....	17
Before you begin! .....	11	BEAT WAVING Function.....	18
To Select a File from a USB Device.....	11	DJ BEAT Function .....	18
To Use High Speed Search .....	11	<b>Troubleshooting</b> .....	19
To Delete a File .....	11	<b>Specifications</b> .....	20
To Skip Next 10 Files.....	12		






**Symbols**

**Important** 

**Note** 

## Accessories

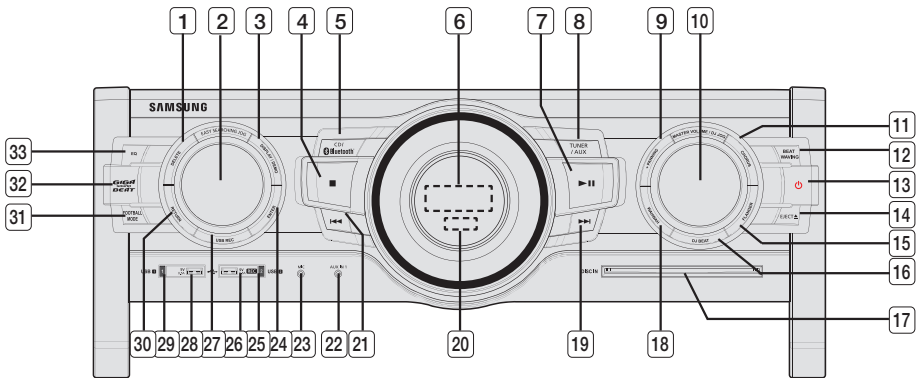
Check for the supplied accessories below.

				
User's Manual (AH68-02612A)	Remote Control/ Batteries (AH59-02553A/4301-000116)	FM Antenna (AH42-00021A)	Power Cable (3903-000467)	FOOT Rubber (AH81-05916L)

- Figures and illustrations in this User's Manual are provided for reference only and may differ from actual product appearance.

# Description

## Front Panel

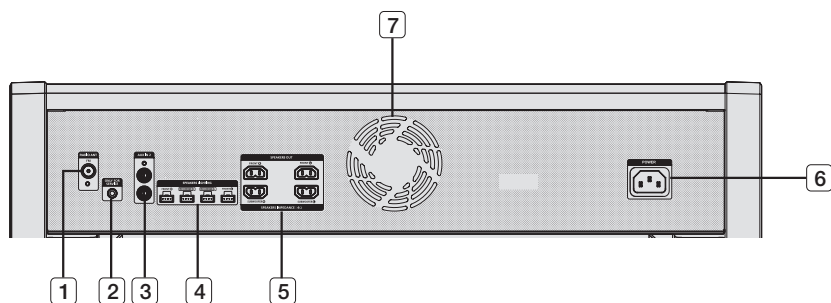


1. DELETE button
2. EASY SEARCHING JOG
3. DISPLAY/ DEMO button
4. STOP button
5. CD/ Bluetooth button
6. Display Panel
7. PLAY/PAUSE button
8. TUNER/AUX button
9. +PANNING button for DJ BEAT sound effect
10. MASTER VOLUME/DJ JOG control
11. CHORUS button for DJ BEAT sound effect
12. BEAT WAVING button
13. POWER button
  - Press this button to switch your product on or off.
14. EJECT button
15. FLANGER button for DJ BEAT sound effect
16. DJ BEAT button
17. DISC
18. WAHWAH button for DJ BEAT sound effect
19. FORWARD SEARCH/SKIP button

20. REMOTE CONTROL SENSOR
21. BACKWARD SEARCH/SKIP button
22. AUX IN 1 jack
  - Connecting an external device such as an MP3 player.
    - Connect AUX IN 1 on the front panel of the product to the Audio Out of the external device/MP3 player.
    - Press the **TUNER/AUX** button to select the AUX1.
23. MIC jack
24. ENTER button
25. USB 2 SELECT button
26. USB 2 jack for Playing and USB Recording
27. USB REC button
28. USB 1 jack for only Playback
29. USB 1 SELECT button
30. RETURN button
31. FOOTBALL MODE button
32. GIGA SOUND BEAT button
33. EQ button

# Description

## Rear Panel



### 1. FM Antenna Connector Terminal

1. Connect the FM antenna to the FM antenna connector terminal.
2. Slowly move the antenna wire until you find a location where reception is good, then fasten it to a wall or other rigid surface.
3. If reception is poor, you may need to install an outdoor antenna. To do so, connect an outdoor FM antenna to the FM antenna connector terminal of the product using a 75Ω coaxial cable (not supplied).

### 2. ONLY FOR SERVICE

- This jack is just for testing. Do not use.

### 3. AUX IN 2 Terminals

1. Use an Audio Cable (not supplied) to connect AUX IN 2 on the product to Audio Out on an external analog output device.
  - Be sure to match connector colors.
  - If the external analog output device has only one Audio Out jack, connect either left or right.
  - Press the **TUNER/AUX** button to select the AUX 2.
  - If no button actions for more than 8 hours in AUX mode, the power will automatically turn off.

### 4. LED Terminals for Speaker Beat Waving.

### 5. 2.2 CH Speaker Terminals

1. To achieve the correct sound quality, when you connect the speakers, match the color of the speaker plugs to the color of the speaker jacks. See below.
  - LEFT channel (marked **L**, White/Purple).
  - RIGHT channel (marked **R**, Red/Purple).
  - Don't force the Purple SUBWOOFER connector into the White or Red speaker jack.

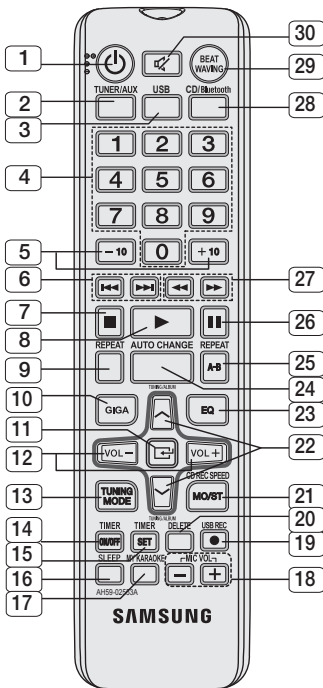
### 6. POWER

- Insert only the provided power cable.

### 7. Cooling fan

- The fan operates while the unit is powered on. If you set the unit to the minimum volume, the fan won't operate. Provide a minimum of 6 inches (15 cm) of clear space in front of the fan when you install the product.

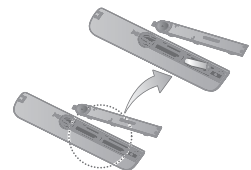
## Remote Control



1. **POWER**
2. **TUNER/AUX**
3. **USB**
4. **Number(0-9) button**  
During playback, press the desired track number. The selected track is played.
5. **SKIP (-10, +10)**
6. **SKIP**
7. **STOP**
8. **PLAY**
9. **REPEAT**
10. **GIGA**
11. **ENTER**
12. **VOLUME (-,+)**
13. **TUNING MODE**
14. **TIMER ON/OFF**
15. **TIMER SET**
16. **SLEEP**  
Set a sleep time to shut off the product.
17. **MY KARAOKE**
18. **MIC VOLUME -, +**
19. **USB REC**
20. **DELETE**
21. **Mono/Stereo for FM, CD REC SPEED for CD Ripping**
22. **TUNING/ALBUM ^, v**
23. **EQ**
24. **AUTO CHANGE**
25. **REPEAT A-B**
26. **PAUSE**
27. **SEARCH**
28. **CD/Bluetooth**
29. **BEAT WAVING**
30. **MUTE**  
Turn off the sound temporarily. Press again to turn the sound back on.

## Installing Batteries In The Remote Control

- Place batteries in the remote control so they match the polarity : (+) to (+) and (-) to (-).
- Always replace both batteries at the same time.
- Do not expose the batteries to heat or a flame.
- The remote control can be used up to approximately 23 feet (7 meters) in a straight line from the system.



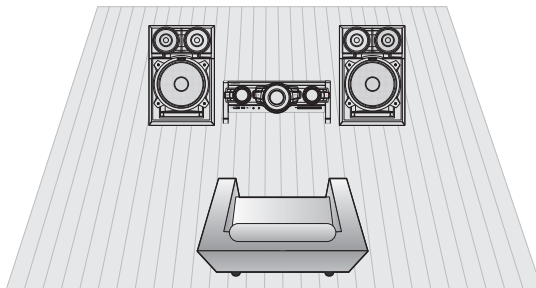
\* Battery size: AAA

# Description

---

## Connecting the Speakers

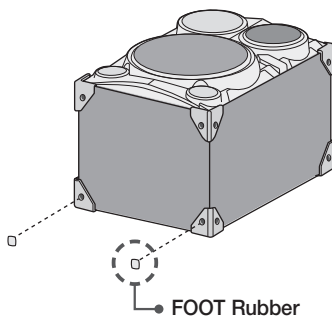
Recommended speaker setup.



- ☛ The product may not operate properly if not installed in accordance with recommended speaker setup, or exposed to shaking or external shocks.
- ☛ Do not stretch the speaker wires or place a heavy object on them.

## Attaching the speaker feet

Attach the supplied speaker feet to the bottom rear corner of each speaker to stabilize the speakers and to prevent them from slipping.





# Basic Functions

## The Display function

You can view all functions available on the display, adjust the brightness of the display and set the Display/LED either on or off.

Each time you press the **DISPLAY/DEMO** button, the display mode will change as follows:

### ◆ The Dimmer function

The Dimmer function is selected and the display darkens.

### ◆ LED OFF

The LED is turned off while the dimmer function is working.

### ◆ Clock ON

The clock you set is displayed.

### ◆ Display/LED ON

All displays and the LED are turned on.

### ➤ The DEMO function

Press **DISPLAY/DEMO** button for 5 seconds to operate the demo mode.

When you press the **DISPLAY/DEMO** button while displaying the demo, the function operates as follows:

**DIMMER** → LED Off (unit/speaker) → **--:--** [time display] → LED On (unit/speaker)

- To cancel the Demo mode

- Press the **DISPLAY/DEMO** again for 5 seconds. The current mode is canceled and the product is turned off.
- Press the **TUNER/AUX**, **CD/Bluetooth** or **USB** button. The current mode is canceled and the mode is changed to the mode you selected.

- While displaying **DEMO**, only the **⏻** [Power], **VOL** buttons and the buttons mentioned above work.

- If you connect speaker to **AUX1** while displaying **DEMO**, sound is produced through **AUX1** and you can use the **VOL** buttons and **⏻** [MUTE].


## Playing CDs

### Loading a Compact Disc

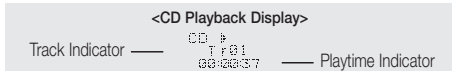
You can play standard CDs that require no adapter.

1. Insert a disc gently into the disc slot with the disc's label facing up. The disc will be played automatically.
  - You can load or unload compact discs when the radio, USB or auxiliary source function is selected. When you press the **EJECT** button, all of the other functions will change to the CD mode.
  - If no buttons are pressed on the product or remote control for more than 3 minutes when the product is in Pause mode, it will change to Stop mode.
  - If no buttons are pressed on the product or remote control for more than 25 minutes when the product is in Stop mode, the product will turn off.

## CD/MP3/WMA-CD Playback

 This product is designed to play the following audio disc types: CD, CD-R, CD-RW, MP3/WMA-CD.

1. Insert a disc gently into the disc slot with the disc's label facing up.
2. The disc will be played automatically.
  - For MP3/WMA-CD audio, it may take several minutes for the product to finish scanning the disc tracks.
  - If you play a file with an English name or an MP3/WMA-CD file with an English title, the song title will be shown in the display. (Titles in other languages will not be displayed.)
  - An English-titled track containing a special character will not be displayed.



3. To adjust the volume:
  - Turn the **VOLUME** control on the product.
  - Press the **VOL +** or **VOL -** button of the remote control. The volume level can be adjusted in 31 steps (VOLUME MIN, VOLUME01 - VOLUME 29, and VOLUME MAX).
4. Main Unit

To pause playback temporarily, press the **⏸** button. Press **⏸** again to continue playing the disc.

Remote control

To pause playback temporarily, press the **PAUSE(⏸)** button. Press the **PLAY (▶)** button to continue playing the disc.
5. To end playing, press the **STOP (■)** button.

- If no CD is in the disc slot, "NO DISC" appears on the display.
- The quality of MP3/WMA-CD playback may vary depending on the condition of the disc or the condition of the recorder with which the disc was created.
- If a disc contains different types of files or unnecessary folders, you will have problems with playback.
- Gently insert a CD into the disc slot. Do not apply excessive force.
- Do not apply force to the product or place a heavy object on the product.
- Do not insert an out-of-spec or oddly shaped CD (heart shaped, octangular, etc.). You can damage the product.
- Carefully maintain your CDs.

# Basic Functions

---

## Selecting a Track

---

You can select a desired track while the disc is being played.

### To play the previous track

Press the **⏮** button within 3 seconds after the current track has started playing.

Press the **⏮** button twice at least 3 seconds after the current track has started playing.

### To play the next track

Press the **⏭** button.

### To play the current track from the beginning

Press the **⏮** button 3 seconds after the current track track has started playing.

### To play the track of your choice

Press the **⏮** or **⏭** button to move to a desired track.

- You can also use the number (0~9) buttons on the remote control to select a track.

## Searching for a Track/Folder Quickly

---

You can select a track/folder directly without the **⏮**, **⏭** buttons.

### CDDA/MP3-CD/WMA-CD

1. Turn the **EASY SEARCHING JOG** on the product to the left or right to select a desired track.
  - You can move to the selected track directly.
2. When searching is done, the track will automatically start playing.

## Searching for a Specific Music Passage on a CD

---

When listening to a CD, you can quickly search for a specific music passage on a track.

Forward Search..... **▶▶**  
Backward Search..... **◀◀**

You can also press and hold the **⏮**, **⏭** buttons on the product to automatically scan for a track.

## Repeat One or All Tracks on a CD

---

You can repeatedly play a track, a group of tracks, or an entire CD.

1. Press the **REPEAT** button on the remote control.  
Each time you press the **REPEAT** button, the repeat mode will change as follows:  
**MP3: OFF → TRACK → DIR → ALL → RANDOM**  
**CD: OFF → TRACK → ALL → RANDOM**
2. When you want to stop the repeat function, press the **REPEAT** button until "OFF" is displayed.
  - **OFF**: Cancels repeat playback.
  - **TRACK**: Repeatedly plays the selected track.
  - **DIR (DIRECTORY)**: Repeatedly plays all tracks in the selected directory.
  - **ALL**: Repeatedly plays the entire disc.
  - **RANDOM**: Plays tracks in random order.

## A-B Repeat Playback

---

You can repeatedly play back a designated section of a CD.

1. Press the **REPEAT A-B** button at the beginning of desired part.
    - 'RPT A' will be displayed.
  2. Press the **REPEAT A-B** button at the ending of desired part.
    - 'RPT AB' will be displayed.
  3. To cancel **REPEAT A-B** function, press the **REPEAT A-B** button again.
    - 'OFF' will be displayed.
- The REPEAT A-B function is available within a track.

## CD Programming

---

This function is not available during playback of an MP3/WMA-CD.

- You can program the playback order of up to 24 tracks of your choice.
  - However, you must stop playing the CD before selecting tracks.
1. While in CD playback mode, press the **STOP** (■) button to stop playing the CD.
  2. Press the **ENTER** (⏻) button to display the message below:  
*PROG 01 TRACK----*  
(01= program number, ---= track number)

- Use the **◀◀** or **▶▶** button to move to a desired track.
  - Press **◀◀** to move to the previous track.
  - Press **▶▶** to move to the next track.
- Press the **ENTER (G)** button to confirm your selection. The selection is stored and *PROG 02 TRACK---* is displayed.
- To select another track, follow Steps 3 and 4 above.
- Press the **PLAY (▶)** button to play the programmed tracks.
- Press the **STOP (■)** button to stop playing the programmed tracks, Press the **STOP (■)** button again to cancel playing the programmed tracks.
  - If you eject the disc or turn off the product or change other function mode, your programming will be canceled.

### Viewing or Editing the Programmed Track

You can view a list of programmed tracks and edit them as you want.

- If a programmed track is being played, press the **STOP (■)** button once.
- Press the **ENTER (G)** button twice to display the message below:
 


SAVED 01 TRACK 002  
(01= program number, 002= track number)
- Repeatedly press the **ENTER (G)** button until the desired track is displayed.
- Press the **◀◀** or **▶▶** button to select a different track.
- Press the **ENTER (G)** button to confirm your selection.
- To play the programmed tracks, press the **Play (▶)** button.

### Playing USB Devices

Connect an external storage device such as a USB flash memory or external HDD (Hard Disk Drive) to the product. You can play files in MP3/WMA format.

#### Before you begin!

- Connect the external USB storage device to your product.

- Select the USB mode by pressing the **USB 1** or **USB 2** button on the product or the **USB** button on the remote control.
- The first file of the first directory plays automatically.
- To stop playing  
Press the **STOP (■)** button to stop playing.
  - To remove the USB device**  
If you press the **STOP (■)** button once again, you can remove the USB device safely.
  -  Do not connect a USB recharger to the USB port of this product. You can damage the product.

### To Select a File from a USB Device

You can select an MP3 file while the product is playing.

- If you want to move to the previous/next track, press the **◀◀**/**▶▶** buttons briefly.
  - The unit moves to the previous/next file within the directory.
  - If you press the **◀◀**/**▶▶** buttons more times than the number of the files in the directory, the unit moves to the next directory.


#### To repeat

- Press the **REPEAT** button.  
Each time you press the **REPEAT** button, the repeat mode will change as follows:  
**OFF** → **TRACK** → **DIR** → **ALL** → **RANDOM**
- When you want to stop the repeat function, press the **REPEAT** button until "**OFF**" is displayed.
  - OFF**: Cancels repeat playback.
  - TRACK**: Repeatedly plays the selected file.
  - DIR(DIRECTORY)**: Repeatedly plays all files in the selected folder.
  - ALL**: Repeatedly plays all files.
  - RANDOM**: Plays files in random order.

### To Use High Speed Search

You can search the desired section quickly while the product is playing.

- Press the **◀◀**/**▶▶** button.
  - Each time you press the button, you will move forward/backward fast.


 Sound does not output during a high speed search.

### To Delete a File

You can delete a file from your USB device.

- Select a file you want to delete.
- Press the **DELETE** button.
- Press the **◀◀**/**▶▶** buttons on the product or remote control to select **YES/NO**.
  - To cancel the selection, press the **RETURN** button on the product.

# Basic Functions

4. Press the **ENTER** button on the remote control.  
The selected file will be deleted.  
 The NTFS file system is not supported.

## To Skip Next 10 Files

1. Press the **+10** or **-10** button while in playback mode.  
The unit will skip as many as 10 tracks forward or 10 tracks back from the current track.

## Move FOLDER

Press the remote control's **TUNING/ALBUM** **^**, **v** button to move to the previous/next folder.

## How to safely remove the USB device

1. Press the **(■)** button twice while the USB is playing or press the **(■)** button once when play is stopped.
2. When the **REMOVE** message appears on the display, remove the USB device.

## Read Before Using the USB Storage Devices

- Some USB devices may not work properly with this product.
- This product only supports external HDD's that are formatted in the FAT file system.
- USB 2.0 HDDs should be connected to a separate power source. Otherwise, the USB 2.0 HDDs will not work.
- If multiple USB external storage devices are connected together, only the MP3 files in the first HDD will be played.
- Files with DRM are not supported. Digital Right Management (DRM) restricts unauthorized access to a DRM file so that the copyright of the file is protected from piracy.
- Even if a file has an .mp3 extension, the file cannot be played if it is formatted in MPEG layer 1 or 2.
- Do not use an unrecognized USB hub.
- Only the first 15 characters of a MP3/WMA file are displayed.
- Only removable HDDs with less than 160GB are supported. Depending on the device, a 160GB- or more removable HDD may not be supported.
- It can take several minutes for the product to recognize the files on some USB devices.
- Some USB devices (USB HDDs, in particular) may cause a delay when moving from track to track.
- With USB storage devices supporting USB VER1.1 only, the product may access files slowly or may not recognize file properties.
- The maximum electrical current supported by external USB devices via each USB port is 0.5A (based on DC 5V).
- A certain USB, digital camera device, USB card reader, iPod, iPhone or Smart Phone may not be supported.

## Bluetooth

You can use a Bluetooth device to enjoy music with high quality stereo sound, all without wires!

### What is Bluetooth?

Bluetooth is a technology that enables Bluetooth compliant devices to interconnect easily with each other using a short wireless connection.

- A Bluetooth device may cause noise or malfunction, depending on usage, when:
  - A part of your body is in contact with the receiving/transmitting system of the Bluetooth device or the Hi-Fi Component.
  - It is subject to electrical variation from obstructions caused by a wall, corner, or office partitioning.
  - It is exposed to electrical interference from same frequency-band devices including medical equipment, microwave ovens, and wireless LANs.
- Pair the Hi-Fi Component with the Bluetooth device while they are close together.
- The greater the distance between the Hi-Fi Component and the Bluetooth device, the worse the quality. If the distance exceeds the Bluetooth operational range, the connection is lost.
- In poor reception-sensitivity areas, the Bluetooth connection may not work properly.
- The Bluetooth connection only works when it is close to the set. The connection will be automatically cut off if the Bluetooth device is out of range. Even within range, the sound quality may be degraded by obstacles such as walls or doors.
- This wireless device may cause electric interference during its operation.

### To connect the Hi-Fi Component to a Bluetooth device

Before you begin, confirm that your Bluetooth device supports the Bluetooth-compliant stereo headset function.

1. Press the **CD/ Bluetooth** button of the Hi-Fi Component to display the **BLUETOOTH** message.
  - You will see **WAIT** for a while and then **READY** on the front display of the Hi-Fi Component.
2. Select the Bluetooth menu on the Bluetooth device you want to connect. (Refer to the Bluetooth device's user manual.)
3. Select the Stereo headset menu on the Bluetooth device.
  - You will see a list of scanned devices.
4. Select **"[Samsung] HI-FI XXXXXX"** from the list.
  - When the product is connected to the Bluetooth device, it will display **CONNECTED → BLUETOOTH** on the front display.

- If the Bluetooth device has failed pair with the product, delete the previous "[Samsung] Hi-Fi XXXXXX" found by the Bluetooth device and have it search for the product again.
5. Play music on the connected device.
- You can listen to the music playing on the connected Bluetooth device over the Hi-Fi Component system.
  - In **Bluetooth** mode, some model's Play/Repeat/Stop/Next/Back functions are not available.
- The product only supports Middle Quality SBC data (up to 237kbps@48kHz), and does not support High Quality SBC data (328kbps@44.1kHz).
- The AVRCP feature is not supported.
  - Connect only to a Bluetooth device that supports the A2DP (AV) function.
  - You cannot connect to a Bluetooth device that supports only the HF (Hands Free) function.
  - Only one Bluetooth device can be paired at a time.
  - Once you have turned off Hi-Fi Component and the pairing is disconnected, the pairing will not be restored automatically. To reconnect, you must pair the device again.
  - The Hi-Fi Component system may not search or connect properly in the following cases:
    - If there is a strong electrical field around Hi-Fi Component.
    - If several Bluetooth devices are simultaneously paired with Hi-Fi Component.
    - If the Bluetooth device is turned off, not in place, or malfunctions.
    - Note that such devices as microwave ovens, wireless LAN adaptors, fluorescent lights, and gas stoves use the same frequency range as the Bluetooth device, which can cause electric interference.

### To disconnect the Bluetooth device from the Hi-Fi Component

You can disconnect the Bluetooth device from Hi-Fi Component. For instructions, see the Bluetooth device's user manual.

- The Hi-Fi Component will be disconnected.
- When the Hi-Fi Component is disconnected from the Bluetooth device, the Hi-Fi Component will display **DISCONNECTED → READY** on the its front display.

### To disconnect the Hi-Fi Component from the Bluetooth device

Press the **CD/Bluetooth** button on the front panel of the Hi-Fi Component to switch from Bluetooth mode to another mode or turn off the Hi-Fi Component.

- The connected Bluetooth device will wait a certain amount of time for a response from the Hi-Fi Component before terminating the connection.(Disconnection time may differ, depending on the Bluetooth device)
  - The currently connected device will be disconnected.
- In Bluetooth connection mode, the Bluetooth connection will be lost if the distance between the Hi-Fi Component and the Bluetooth device exceeds 16.25 feet (5 meters).
- If the Bluetooth device comes back into the effective range after disconnecting, you can restart the Hi-Fi Component to restore the pairing with the Bluetooth device.
  - The Hi-Fi Component automatically turns off after 25 minutes in the Ready mode.

## Using My Karaoke

You can use the **MY Karaoke** function to sing along with your favorite CDs and USB tracks.

1. Connect the microphone to the MIC jack on the front of the product.
  - If your microphone plug is larger than the 3.5 mm MIC jack, you need a Connector-Adaptor (not supplied) to complete the connection.
    - First, connect the Connector-Adaptor (not supplied) to the MIC jack on the front of the product,
    - Second, connect the microphone (with the larger jack) to the Connector-Adaptor.
2. Press the **MIC VOL-**, **+** button on the remote control to adjust the volume of the microphone.
3. Press the **MY KARAOKE** button on the remote control to suppress the vocal if you need. Each time the button is pressed, the selection is changed as follows:
 

**MY KARAOKE ON → MY KARAOKE OFF**

  - If you hear strange noises (squealing or howling) while using the Karaoke feature, move the microphone away from the speakers. Turning down the microphone's volume or the speaker volume is also effective. Do not set the MICROPHONE towards the SPEAKER.
  - The microphone does not operate in the AUX and TUNER mode.
  - If you connect a microphone, GIGA SOUND automatically turns off. To turn Giga Sound back on you must remove the microphone, and then press the Giga Sound button.

# Basic Functions

- When My Karaoke is on, EQ and GIGA SOUND do not work.
- When you stop playing the CD or USB, My Karaoke turns off automatically.
- My Karaoke is only available when a microphone is connected to the HI-FI Component.

## 10 Skip Function

Press the **+10** or **-10** button while the unit is in playback mode. The unit will skip as many as 10 tracks forward or 10 tracks back from the current track.

## Auto Change Function

You can set the product to play a disc, and then play files on USB devices connected to USB 1 and USB 2 continuously.

1. Press the **AUTO CHANGE** button on the remote. Each time you press this button, the mode switches as follows:

### AUTO CHANGE OFF → AUTO CHANGE ON

- When **AUTO CHANGE** is "ON",
  - The Hi-Fi Component will play a disc in the disc slot, then play files on a USB device connected to USB1, and then play files on a USB device connected to USB2. The files will be played continuously.
  - If you press the **POWER** button, function change button, or the **EJECT** button, the **AUTO CHANGE** function automatically turns "OFF".
  - Recording is disabled.
  - The **REPEAT** and **SLEEP** functions are automatically set to **OFF** and are unavailable.
  - The **CD REC SPEED**, **USB REC**, **PROGRAM** and **DELETE** functions unavailable.
- If you disconnect a playing USB device, the **AUTO CHANGE** function automatically turns "OFF".
- If there's no device in USB1, the function automatically switches to USB2.

## Listening to the Radio

### To Store the Stations You Want

You can store up to:

15 FM stations.

1. Select **FM** by pressing the **TUNER/AUX** button.
2. To search for a station, press the **TUNING MODE** button on the remote control or the **STOP** button on the product one or more times until **MANUAL** is displayed.
3. Select a station by:
  - Pressing the **TUNING/ALBUM**  $\wedge$  or  $\vee$  button on the remote control to find a station.
4. Press the **MO/ST** button to switch between stereo and mono.
  - In a poor reception area, select **MONO** for a clear, interference-free broadcast.
  - This applies only when listening to an FM station.
5. If you do not want to store the radio station found, go back to Step 3 and search for another station.  
Otherwise:
  - a. Press the **ENTER** button.
  - b. Or, press the **TUNING/ALBUM** button on the remote control to select a program number.
  - c. Press the **ENTER** button to save the preset.
6. To store other radio frequencies, repeat Steps 3, 4 and 5.

### ➤ In Tuner mode

- In the Manual mode, you can use the **◀◀** or **▶▶** button on the product to search for a radio station manually.
- In the Preset mode, you can use the **◀◀** or **▶▶** button or the **EASY SEARCHING JOG** control on the product to search for a stored radio station.

## Selecting a Stored Station

To listen to a stored station, follow these steps:

1. Select **FM** by pressing the **TUNER/AUX** button on the product or remote control.
2. Press the **TUNING MODE** button on the remote control until "PRESET" is displayed.
3. Press **◀◀ ▶▶** button on the main unit or the **TUNING/ALBUM**  $\wedge$ ,  $\vee$  on the remote control to select a preset number.  
or  
Turn the **EASY SEARCHING JOG** control left or right on the main unit to select a stored station.

# Advanced Functions

## Timer Function

### Setting the Clock

For each step, you have a few seconds to set the required options. If you exceed this time, you must start again.

1. Press the **TIMER SET** button on the remote control twice. "CLOCK SET" is displayed.
2. Press the **ENTER (OK)** button on the remote control. The hour flashes.
  - Increase the hours: **TUNING/ALBUM ▲**
  - Decrease the hours: **TUNING/ALBUM ▼**
3. When the correct hour is displayed, press the **ENTER (OK)** button, and then the minutes flash.
  - Increase the minutes: **TUNING/ALBUM ▲**
  - Decrease the minutes: **TUNING/ALBUM ▼**
4. When the correct minute is displayed, press the **ENTER (OK)** button, and then "TIMER PLAY SET" appears in the display.

### Setting the Timer

The timer enables you to switch the product on or off at specific times automatically.

- Before setting the timer, check that the current time is correct.
- For each step, you have a few seconds to set the required options. If you exceed this time, you must start again.
- If you no longer want the product to be switched on or off automatically, you must cancel the timer by pressing the **TIMER ON/OFF** button.

Example: You want to wake up to music every morning.

1. Press the **TIMER SET** button until **TIMER PLAY SET** is displayed.
2. Press the **ENTER (OK)** button.  
Result: **ON TIME** is displayed for a few seconds. You can set the timer switch-on time.
3. Set the timer switch-on time.
  - a Press the **TUNING/ALBUM ▲** or **▼** button to set the hours.
  - b Press the **ENTER (OK)** button.  
Result: The minutes flash.
  - c Press the **TUNING/ALBUM ▲** or **▼** button to set the minutes.
  - d Press the **ENTER (OK)** button.  
Result: **OFF TIME** is displayed for a few seconds. You can now set the timer switch-off time.

4. Set the timer switch-off time.
  - a Press the **TUNING/ALBUM ▲** or **▼** button to set the hours.
  - b Press the **ENTER (OK)** button.  
Result: The minutes flash.
  - c Press the **TUNING/ALBUM ▲** or **▼** button to set the minutes.
  - d Press the **ENTER (OK)** button.  
Result: **VOLUME XX** is displayed, where **XX** corresponds to the volume already set.
5. Press the **TUNING/ALBUM ▲** or **▼** button to adjust the volume level and press the **ENTER (OK)** button.  
Result: The source to be selected is displayed.
6. Press the **TUNING/ALBUM ▲** or **▼** button to select the source the Hi-Fi Component will play when it switches on.

If you select...	You must also...
------------------	------------------

FM (radio) .....	a Press the <b>ENTER (OK)</b> button. b Select a preset station by pressing the <b>TUNING/ALBUM ▲</b> or <b>▼</b> button.
------------------	--

CD (compact disc) .....Load a compact disc.  
USB .....Connect the USB device.

7. Press the **ENTER (OK)** button.  
Result: **TIMER REC SET** (Do you want to record?) is displayed.
8. Press the **ENTER (OK)** button.  
Result: **REC SET YES/NO** is displayed. You can press the **TUNING/ALBUM ▲** or **▼** button to select **REC YES** or **REC NO**, and then press **ENTER** button.
  - 1) If you select **REC NO**, it will cancel tuner timer recording even if you have already set the tuner timer recording.
  - 2) If you select **REC YES**, you can set the tuner timer recording on and off times.
    - a. Press the **ENTER (OK)** button.  
Result: **ON TIME** is displayed for a few seconds. You can set the tuner timer recording switch-on time.
    - b. Press the **ENTER (OK)** button.  
Result: **OFF TIME** is displayed for a few seconds. You can set the tuner timer recording switch-off time.

# Advanced Functions

- The maximum length of time for tuner timer recording is 5 hours.
- If the timer switch on and off times are identical, the word **ERROR** is displayed.
- You can use the **◀◀ ▶▶** buttons on the product instead of the **TUNING/ALBUM ▲** or **▼** button to make adjustments in Steps 3 through 8.
- If the switch-on or -off time is the same as the timer recording time, only the switch-on or -off time is effective, and the timer recording is not applied.
- When you use the auto timer, you may need an additional step to use a CD or USB device with it, depending on the disc (or device). Consequently, it is easier to use the tuner instead.
- If you select CD or USB mode when there is no disc or no USB in the product, it will automatically change to **TUNER**.

## Canceling the Timer

After having set the timer, it will start automatically as shown by the **TIMER ON** message on the display. If you no longer want to use the timer, you must cancel it.

To cancel the timer, Press the **TIMER ON/OFF** button once.

To restart the timer, Press the **TIMER ON/OFF** button once again.

- When you select the **TIMER OFF** mode, the **TIMER RECORDING** and **TIME** function are not available.

## The Recording Function

### Basic Recording

You can record from a CD, a USB device, a radio broadcast, or an external source to a USB storage device.

- Connect the external USB storage device to a USB (**↔ REC**) jack on your product.
- Play a disc or USB, turn on the radio and select a station, or connect the external source to your product as described below.

#### CD

- Press the **CD** button on the product to select the CD function.
- Insert a CD gently into the disc slot.
- Use the CD selection (**◀◀** or **▶▶**) buttons to select the desired song.

#### TUNER

- Select FM by pressing the **TUNER/AUX** button.
- Select the radio frequency you want to record.

#### USB 1

- Connect the USB device with the files you want to record to USB 1 jack.
- Press the **USB** button to select USB 1.
- Play a song from USB 1.

#### External Source

- Connect an External device/MP3 player to the product.
  - Press the **TUNER/AUX** button to select <AUX IN 1 or AUX IN 2>.
  - Play a song from the external device.
- Press the **USB REC** button on the remote control to start recording.

#### CD

- Track recording message is displayed and CD recording starts.
- If you want to record all the tracks on the disc, press and hold the **USB REC** button. Then, Full CD recording message will be displayed.

#### RADIO

- Tuner recording message is displayed and recording starts.

#### CD-ROM/ USB

- "FILE COPY" is displayed and recording starts.
- You can also copy a folder including MP3/WMA files to a device on USB 2. If you press and hold the **USB REC** button while the system plays an MP3 or WMA file in a folder, your system will display "FOLDER COPY".
- When the recording is done, "STOP" will be displayed.
- If there is a file with the same name on the USB 2 device, "EXIST FILE" is displayed, and the function is canceled.
- If a microphone is connected to the product and you press the **USB REC** button, you activate the MP3 Recording function, not the Copy function.
- When you press the **USB REC** button for a second, file copy starts. When you press the **USB REC** button for a few seconds, folder copy starts.

#### External Source

- AUX recording message is displayed and recording starts.

#### CD/USB1(MP3) & MIC

- MP3 recording message is displayed and recording starts.
- To stop recording, press the **STOP (■)** button. The recording is automatically saved as an MP3 file.
  - After the recording is finished, a directory named "RECORDING"(CD-DA), "CD COPY"(CD-ROM/USB/WMA/MP3), "TUNER RECORDING", "AUX RECORDING" or "MP3 RECORDING" is created in your device.



- The WMA/MP2 file just can be copied not recorded.
- Do not disconnect the USB device or the AC Cord during recording. You can cause file damage.
- If you disconnected the USB device during recording, the product will turn off and you will not be able to delete the file that has been recorded. If this occurs, connect the USB device to a PC, back up the USB data to the PC, and then reformat the USB device.
- If the USB device does not have enough memory, "NOT ENOUGH MEMORY" will appear on the display.
- The Recording function supports the FAT file systems only. The NTFS file system is not supported.
- When you use the CD high speed search function, the CD recording function is unavailable.
- With some USB devices, recording time may be longer.
- In the Program mode, you can't use the CD recording function.
- When the Recording function is active, the EQ and GIGA SOUND functions automatically turn off and are unavailable.
- During a CD recording, the REPEAT function automatically turns off and is unavailable.
- If you use the MIC function during a CD recording, the voice from the microphone will be recorded.
- You can not record audio from the radio when searching for a station or if there are no frequencies available when the product is set to Tuner mode.
- Note that setting the input level too loud when recording music from an external device through the AUX or USB channel may introduce noise into the recording. If this occurs, lower the external device's volume level.

### Recording Speed

Each time you press the CD REC SPEED button on the remote control, the recording speed will change as follows:

- RECORD SPEED x 1 → RECORD SPEED X 4**
- When you record from the tuner or an external source, you cannot change the recording speed.
  - If you select RECORD SPEED X 4, sound is not produced during the recording.
  - If you connect the microphone, you have one recording speed mode available: RECORD SPEED X 1.
  - During recording, if you disconnect the microphone, the recording will stop. If you reconnect the microphone, the recording will not restart.

### Special Sound Effect

#### Selecting EQ Mode

Your Hi-Fi Component system provides predefined equalizer settings that are optimized for particular music genre. You can also adjust the bass, middle and treble levels manually.

1. Press the EQ button.  
Each time you press this button, the sound mode will switch as follows:

OFF → FLAT → RANCHERA → SAMBA → CUMBIA → HABANERA → BOOMBA → REGGAE → MERENGUE → SALSA → PARTY → POP → HIP HOP → ROCK → JAZZ → CLASSIC → ELECTRONIC → MP3 ENHANCER → VIRTUAL SOUND → USER EQ

2. To set the **BASS**, **MID** (Middle) and **TREB** (Treble) levels manually, select **USER EQ**, and then press the **ENTER** button.

Result: The BASS level (left numeric) flashes..

Press the **TUNING/ALBUM** ▲ or ▼ button to select a level from -06 to 06.

Then, press the **ENTER** button.

Result: The MIDDLE level (middle numeric) flashes.

Press the **TUNING/ALBUM** ▲ or ▼ button to select a level from -06 to 06.

Then, press the **ENTER** button.

Result: The TREBLE level (right numeric) flashes.

Press the **TUNING/ALBUM** ▲ or ▼ button to select a level from -06 to 06.

Then, press the **ENTER** button.

Result: Setting is complete.

- When the Hi-Fi Component is recording, the EQ function is turned off automatically and is unavailable.
  - If no buttons are pressed within 8 seconds, your settings will automatically be cancelled and the previous settings will be saved.
  - The EQ mode may be different depending on your region.

### Using the FOOTBALL Mode

The football mode brings greater realism to sports broadcasts.

1. Press the **FOOTBALL MODE** button on the product. Each time you press the button, the sound mode switches as follows:

**FOOTBALL OFF → FOOTBALL MODE 1 → FOOTBALL MODE 2**

- The FOOTBALL mode may be different depending on your region.

### GIGA SOUND Function

The GIGA SOUND function amplifies the bass sound and provides twice the bass for powerful, realistic sound.

1. Press the **GIGA SOUND BEAT** button on the main unit or the **GIGA** button on the remote control. Each time you press the button, the sound mode switches as follows:

**GIGA SOUND BEAT → GIGA SOUND OFF**

2. To cancel this function, press the **GIGA SOUND BEAT** button until "OFF" is displayed.
  - The GIGA SOUND mode may be different depending on your region.

# Advanced Functions

---

## BEAT WAVING Function

---


The Beat Waving function lets you change the Speaker LED display mode.

1. Each time you press the **BEAT WAVING** button on the product, the Speaker LED display mode changes as follows:  
**PARTY 1 → PARTY 2 → FUN 1 → FUN 2 → PURE → FRESH → LOVE → JOY → SUNSET → SUNRISE → NATURE 1 → NATURE 2 → WAVE 1 → WAVE 2 → AURORA → OFF**
  - If you select **BEAT WAVING OFF**, all the speaker LED displays are turned off.

## DJ BEAT Function

---

The DJ Beat function lets you turn on the **FLANGER**, **PANNING**, **CHORUS**, and **WAHWAH** sound effect functions. The level of each effect is adjustable.

 The set scope is [-15 ~ +15] and the initial set up values are all 0.

**FLANGER** : Creates a vibration similar to the sound of a jet engine revving up and down.

**PANNING** : Increases the left and right speaker's output in turn and makes it seem as if the sound is moving from side to side.

**WAHWAH** : Creates a 'Wah~ Wah~' effect.

**CHORUS** : Creates a vibration that sounds like a singing chorus.

1. To set the desired effect, press the **FLANGER**, **PANNING**, **CHORUS**, or **WAHWAH** button on the product.
  - The blue LED turns on around the button you pushed and around the **DJ BEAT** button.
  - You can control the intensity of the effect with the Volume Jog. To control the volume, press the product's **DJ BEAT** button.
  - To cancel an effect, press the effect's button again.
  - To change to a different effect, press another effect button.
  - You can apply the **PANNING** effect to the **FLANGER**, **CHORUS**, or **WAHWAH** effects.
  - To apply the **PANNING** effect to another effect, press the **PANNING** button when the other effect is active or press another effect button when the **PANNING** effect is active.
  - Use the Volume JOG to control the intensity of the effect that was activated last. For example, if you activated the WahWah effect and then the Panning effect, the Volume Jog will control the Panning effect.
  - To control the intensity of the effect you applied first, press the button of effect that you applied last to turn it off. Then, you can use the Volume Jog to control the intensity of the first effect.

# Troubleshooting

## Troubleshooting

Refer to the chart below when this product does not function properly. If the problem you are experiencing is not listed below or if the instruction below does not help, turn off the product, disconnect the power cord, and contact the nearest authorized dealer or Samsung Electronics Service Center.

Symptom	Check/Remedy
I cannot eject the disc.	<ul style="list-style-type: none"><li>• Is the power cord plugged securely into the outlet?</li><li>• Turn off the power and then turn it back on.</li></ul>
Playback does not start immediately when the Play/Pause button is pressed.	<ul style="list-style-type: none"><li>• Are you using a deformed disc or a disc with scratches on the surface?</li><li>• Wipe the disc clean.</li></ul>
Sound is not produced.	<ul style="list-style-type: none"><li>• No sound is heard during fast playback, slow playback, and step motion playback.</li><li>• Are the speakers connected properly? Is the speaker setup correctly customized?</li><li>• Is the disc severely damaged?</li></ul>
The remote control does not work.	<ul style="list-style-type: none"><li>• Is the remote control being operated within its operational angle and distance range?</li><li>• Are the batteries drained?</li></ul>
<ul style="list-style-type: none"><li>• The product is not working. (Example: The power goes out or the front panel key doesn't work or you hear a strange noise.)</li><li>• The product is not working normally.</li></ul>	<p>• Run the reset function. With the "NO DISC" message on the display of the product and no disc in the disc slot, press and hold the <b>STOP</b> (■) button on the product for more than 5 seconds.</p> <p>Using the <b>RESET</b> function will erase all stored settings. Do not use this unless necessary.</p>
Can't receive radio broadcast.	<ul style="list-style-type: none"><li>• Is the antenna connected properly?</li><li>• If the antenna's input signal is weak, install an external FM antenna in an area with good reception.</li></ul>

# Specifications

## Specifications

<b>General</b>	Power Requirements		AC110-120V~ 50/60Hz 80W
	Weight	Main unit	8 Kg (17.64 pounds)
		Speakers	70 Kg (154.32 pounds)
	Dimensions	Main unit	23.1 in. x 9.4 in. x 15.3 in. (588mm (W) X 238mm (H) X 388mm (D))
		Each Speaker	23.1 in. x 34.7 in. x 22.7 in. (588mm (W) X 882mm (H) X 577mm (D))
	Operating Temperature Range		41° ~ 95° F (+5°C~+35°C)
Operating Humidity Range		10 % to 75 %	
<b>FM Tuner</b>	Signal/Noise ratio		55 dB
	Usable sensitivity		10 dB
	Total harmonic distortion		1 %
<b>CD Disc</b>	CD : 12 cm (COMPACT DISC)		Reading Speed : 4.8 ~ 5.6 m/sec. Maximum Play Time : 74 min.
<b>Amplifier</b>	Front speaker output		640W/CH (4Ω)
	Subwoofer output		640W/CH (4Ω)
	Frequency range		22Hz~20KHz
	S/N Ratio		65 dB
	Channel separation		60 dB
	Input sensitivity		800mV (AUX)

\*: Nominal specification

- Samsung Electronics Co., Ltd reserves the right to change the specifications without notice.
- Weight and dimensions are approximate.
- Design and specifications are subject to change without prior notice.
- For information on the power supply and power consumption, refer to the label attached to the product.

# WARRANTY

---

## LIMITED WARRANTY TO ORIGINAL PURCHASER

This SAMSUNG brand product, as supplied and distributed by Samsung Electronics America, Inc. (SAMSUNG) and delivered new, in the original carton to the original consumer purchaser, is warranted by SAMSUNG against manufacturing defects in materials and workmanship for a limited warranty period of:

### **One (1) Year Parts and Labor\***

#### **(\*90 Days Parts and Labor for Commercial Use)**

This limited warranty begins on the original date of purchase, and is valid only on products purchased and used in the United States. To receive warranty service, the purchaser must contact SAMSUNG for problem determination and service procedures. Warranty service can only be performed by a SAMSUNG authorized service center. The original dated bill of sale must be presented upon request as proof of purchase to SAMSUNG or SAMSUNG's authorized service center. Transportation of the product to and from the service center is the responsibility of the purchaser.

SAMSUNG will repair or replace this product, at our option and at no charge as stipulated herein, with new or reconditioned parts or products if found to be defective during the limited warranty period specified above. All replaced parts and products become the property of SAMSUNG and must be returned to SAMSUNG. Replacement parts and products assume the remaining original warranty, or ninety (90) days, whichever is longer.

SAMSUNG's obligations with respect to software products distributed by SAMSUNG under the SAMSUNG brand name are set forth in the applicable end user license agreement. Non-SAMSUNG hardware and software products, if provided, are on an "AS IS" basis. Non-SAMSUNG manufacturers, suppliers, publishers, and service providers may provide their own warranties.

This limited warranty covers manufacturing defects in materials and workmanship encountered in normal, and except to the extent otherwise expressly provided for in this statement, noncommercial use of this product, and shall not apply to the following, including, but not limited to: damage which occurs in shipment; delivery and installation; applications and uses for which this product was not intended; altered product or serial numbers; cosmetic damage or exterior finish; accidents, abuse, neglect, fire, water, lightning or other acts of nature; use of products, equipment, systems, utilities, services, parts, supplies, accessories, applications, installations, repairs, external wiring or connectors not supplied and authorized by SAMSUNG, or which damage this product or result in service problems; incorrect electrical line voltage, fluctuations and surges; customer adjustments and failure to follow operating instructions, cleaning, maintenance and environmental instructions that are covered and prescribed in the instruction book; product removal or reinstallation; reception problems and distortion related to noise, echo, interference or other signal transmission and delivery problems. SAMSUNG does not warrant uninterrupted or error-free operation of the product.

THERE ARE NO EXPRESS WARRANTIES OTHER THAN THOSE LISTED AND DESCRIBED ABOVE, AND NO WARRANTIES WHETHER EXPRESS OR IMPLIED, INCLUDING, BUT NOT LIMITED TO, ANY IMPLIED WARRANTIES OF MERCHANTABILITY OR FITNESS FOR A PARTICULAR PURPOSE, SHALL APPLY AFTER THE EXPRESS WARRANTY PERIODS STATED ABOVE, AND NO OTHER EXPRESS WARRANTY OR GUARANTY GIVEN BY ANY PERSON, FIRM OR CORPORATION WITH RESPECT TO THIS PRODUCT SHALL BE BINDING ON SAMSUNG. SAMSUNG SHALL NOT BE LIABLE FOR LOSS OF REVENUE OR PROFITS, FAILURE TO REALIZE SAVINGS OR OTHER BENEFITS, OR ANY OTHER SPECIAL, INCIDENTAL OR CONSEQUENTIAL DAMAGES CAUSED BY THE USE, MISUSE OR INABILITY TO USE THIS PRODUCT, REGARDLESS OF THE LEGAL THEORY ON WHICH THE CLAIM IS BASED, AND EVEN IF SAMSUNG HAS BEEN ADVISED OF THE POSSIBILITY OF SUCH DAMAGES. NOR SHALL RECOVERY OF ANY KIND AGAINST SAMSUNG BE GREATER IN AMOUNT THAN THE PURCHASE PRICE OF THE PRODUCT SOLD BY SAMSUNG AND CAUSING THE ALLEGED DAMAGE. WITHOUT LIMITING THE FOREGOING, PURCHASER ASSUMES ALL RISK AND LIABILITY FOR LOSS, DAMAGE OR INJURY TO PURCHASER AND PURCHASER'S PROPERTY AND TO OTHERS AND THEIR PROPERTY ARISING OUT OF THE USE, MISUSE OR INABILITY TO USE THIS PRODUCT SOLD BY SAMSUNG NOT CAUSED DIRECTLY BY THE NEGLIGENCE OF SAMSUNG. THIS LIMITED WARRANTY SHALL NOT EXTEND TO ANYONE OTHER THAN THE ORIGINAL PURCHASER OF THIS PRODUCT, IS NONTRANSFERABLE AND STATES YOUR EXCLUSIVE REMEDY.

Some states do not allow limitations on how long an implied warranty lasts, or the exclusion or limitation of incidental or consequential damages, so the above limitations or exclusions may not apply to you. This warranty gives you specific legal rights, and you may also have other rights which vary from state to state.

To obtain warranty hardware service, please contact SAMSUNG customer care center.



QUESTIONS OR COMMENTS?

COUNTRY	CALL	OR VISIT US ONLINE AT	WRITE
U.S.A	1-800-SAMSUNG (726-7864)	<a href="http://www.samsung.com">www.samsung.com</a>	Samsung Electronics America, Inc. 85 Challenger Road Ridgefield Park, NJ 07660

AH68-02612A-00

## Free Manuals Download Website

<http://myh66.com>

<http://usermanuals.us>

<http://www.somanuals.com>

<http://www.4manuals.cc>

<http://www.manual-lib.com>

<http://www.404manual.com>

<http://www.luxmanual.com>

<http://aubethermostatmanual.com>

Golf course search by state

<http://golfingnear.com>

Email search by domain

<http://emailbydomain.com>

Auto manuals search

<http://auto.somanuals.com>

TV manuals search

<http://tv.somanuals.com>