

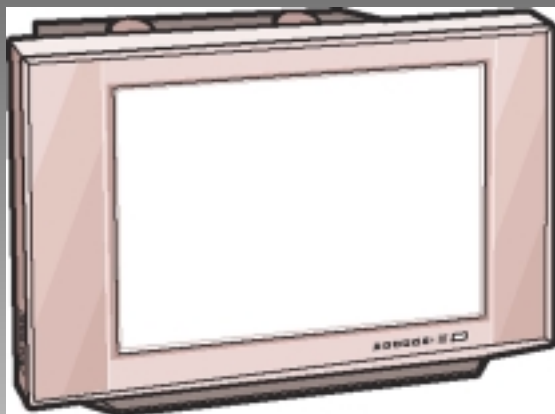
SAMSUNG

COLOR TELEVISION RECEIVER

Chassis : KS3A (REV. 1)
Model: CS29A5WT8X/XSG
CS29A6WT8X/BWT

SERVICE *Manual*

COLOR TELEVISION RECEIVER



CONTENTS

1. Precautions
2. Reference Information
3. Specifications
4. Alignment and Adjustments
5. Troubleshooting
6. Exploded Views and Parts List
7. Electrical Parts List
8. Block Diagrams
9. Wiring Diagram
10. Schematic Diagrams

1. Precautions

Follow these safety, servicing and ESD precautions to prevent damage and protect against potential hazards such as electrical shock and X-rays.

1-1 Safety Precautions

1. Be sure that all of the built-in protective devices are replaced. Restore any missing protective shields.
2. When reinstalling the chassis and its assemblies, be sure to restore all protective devices, including: nonmetallic control knobs and compartment covers.
3. Make sure that there are no cabinet openings through which people—particularly children—might insert fingers and contact dangerous voltages. Such openings include the spacing between the picture tube and the cabinet mask, excessively wide cabinet ventilation slots, and improperly fitted back covers.

If the measured resistance is less than 1.0 megohm or greater than 5.2 megohms, an abnormality exists that must be corrected before the unit is returned to the customer.

4. Leakage Current Hot Check (Figure 1-1):
Warning: Do not use an isolation transformer during this test. Use a leakage-current tester or a metering system that complies with American National Standards Institute (ANIS C101.1, Leakage Current for Appliances), and Underwriters Laboratories (UL Publication UL1410, 59.7).
5. With the unit completely reassembled, plug the AC line cord directly into the power outlet. With the unit's AC switch first in the ON position and then OFF, measure the current between a known earth ground (metal water pipe, conduit, etc.) and all exposed metal parts, including: antennas, handle brackets, metal cabinets, screwheads and control shafts. The current measured should not exceed 0.5 milliamp. Reverse the power-plug prongs in the AC outlet and repeat the test.

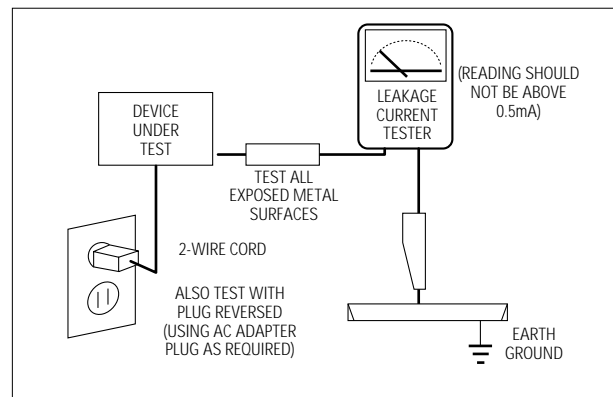


Fig. 1-1 AC Leakage Test

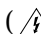
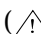
6. Antenna Cold Check:
With the unit's AC plug disconnected from the AC source, connect an electrical jumper across the two AC prongs. Connect one lead of the ohmmeter to an AC prong. Connect the other lead to the coaxial connector.
7. X-ray Limits:
The picture tube is especially designed to prohibit X-ray emissions. To ensure continued X-ray protection, replace the picture tube only with one that is the same type as the original. Carefully reinstall the picture tube shields and mounting hardware; these also provide X-ray protection.
8. High Voltage Limits:
High voltage must be measured each time servicing is done on the B+, horizontal deflection or high voltage circuits. Correct operation of the X-ray protection circuits must be reconfirmed whenever they are serviced.
(X-ray protection circuits also may be called "horizontal disable" or "hold-down".)

Heed the high voltage limits. These include the X-ray Protection Specifications Label, and the Product Safety and X-ray Warning Note on the service data schematic.

1-1 Safety Precautions (Continued)

9. High voltage is maintained within specified limits by close-tolerance, safety-related components and adjustments. If the high voltage exceeds the specified limits, check each of the special components.
10. Design Alteration Warning:
Never alter or add to the mechanical or electrical design of this unit. Example: Do not add auxiliary audio or video connectors. Such alterations might create a safety hazard. Also, any design changes or additions will void the manufacturer's warranty.
11. Hot Chassis Warning:
Some TV receiver chassis are electrically connected directly to one conductor of the AC power cord. If an isolation transformer is not used, these units may be safely serviced only if the AC power plug is inserted so that the chassis is connected to the ground side of the AC source.

To confirm that the AC power plug is inserted correctly, do the following: Using an AC voltmeter, measure the voltage between the chassis and a known earth ground. If the reading is greater than 1.0V, remove the AC power plug, reverse its polarity and reinsert. Re-measure the voltage between the chassis and ground.
12. Some TV chassis are designed to operate with 85 volts AC between chassis and ground, regardless of the AC plug polarity. These units can be safely serviced only if an isolation transformer inserted between the receiver and the power source.
13. Some TV chassis have a secondary ground system in addition to the main chassis ground. This secondary ground system is not isolated from the AC power line. The two ground systems are electrically separated by insulating material that must not be defeated or altered.
14. Components, parts and wiring that appear to have overheated or that are otherwise damaged should be replaced with parts that meet the original specifications. Always determine the cause of damage or overheating, and correct any potential hazards.
15. Observe the original lead dress, especially near the following areas: Antenna wiring, sharp edges, and especially the AC and high voltage power supplies. Always inspect for pinched, out-of-place, or frayed wiring. Do not change the spacing between components and the printed circuit board. Check the AC power cord for damage. Make sure that leads and components do not touch thermally hot parts.
16. Picture Tube Implosion Warning:
The picture tube in this receiver employs "integral implosion" protection. To ensure continued implosion protection, make sure that the replacement picture tube is the same as the original.
17. Do not remove, install or handle the picture tube without first putting on shatterproof goggles equipped with side shields. Never handle the picture tube by its neck. Some "in-line" picture tubes are equipped with a permanently attached deflection yoke; do not try to remove such "permanently attached" yokes from the picture tube.
18. Product Safety Notice:
Some electrical and mechanical parts have special safety-related characteristics which might not be obvious from visual inspection. These safety features and the protection they give might be lost if the replacement component differs from the original—even if the replacement is rated for higher voltage, wattage, etc.

Components that are critical for safety are indicated in the circuit diagram by shading, () or (). Use replacement components that have the same ratings, especially for flame resistance and dielectric strength specifications. A replacement part that does not have the same safety characteristics as the original might create shock, fire or other hazards.

1-2 Servicing Precautions

Warning1: First read the "Safety Precautions" section of this manual. If some unforeseen circumstance creates a conflict between the servicing and safety precautions, always follow the safety precautions.

Warning2: An electrolytic capacitor installed with the wrong polarity might explode.

1. Servicing precautions are printed on the cabinet. Follow them.
2. Always unplug the unit's AC power cord from the AC power source before attempting to:
(a) Remove or reinstall any component or assembly, (b) Disconnect an electrical plug or connector, (c) Connect a test component in parallel with an electrolytic capacitor.
3. Some components are raised above the printed circuit board for safety. An insulation tube or tape is sometimes used. The internal wiring is sometimes clamped to prevent contact with thermally hot components. Reinstall all such elements to their original position.
4. After servicing, always check that the screws, components and wiring have been correctly reinstalled. Make sure that the portion around the serviced part has not been damaged.
5. Check the insulation between the blades of the AC plug and accessible conductive parts (examples: metal panels, input terminals and earphone jacks).
6. Insulation Checking Procedure: Disconnect the power cord from the AC source and turn the power switch ON. Connect an insulation resistance meter (500V) to the blades of the AC plug.

The insulation resistance between each blade of the AC plug and accessible conductive parts (see above) should be greater than 1 megohm.
7. Never defeat any of the B+ voltage interlocks. Do not apply AC power to the unit (or any of its assemblies) unless all solid-state heat sinks are correctly installed.
8. Always connect a test instrument's ground lead to the instrument chassis ground before connecting the positive lead; always remove the instrument's ground lead last.

1-3 Precautions for Electrostatically Sensitive Devices (ESDs)

1. Some semiconductor (“solid state”) devices are easily damaged by static electricity. Such components are called Electrostatically Sensitive Devices (ESDs); examples include integrated circuits and some field-effect transistors. The following techniques will reduce the occurrence of component damage caused by static electricity.
2. Immediately before handling any semiconductor components or assemblies, drain the electrostatic charge from your body by touching a known earth ground. Alternatively, wear a discharging wrist-strap device. (Be sure to remove it prior to applying power—this is an electric shock precaution.)
3. After removing an ESD-equipped assembly, place it on a conductive surface such as aluminum foil to prevent accumulation of electrostatic charge.
4. Do not use freon-propelled chemicals. These can generate electrical charges that damage ESDs.
5. Use only a grounded-tip soldering iron when soldering or unsoldering ESDs.
6. Use only an anti-static solder removal device. Many solder removal devices are not rated as “anti-static”; these can accumulate sufficient electrical charge to damage ESDs.
7. Do not remove a replacement ESD from its protective package until you are ready to install it. Most replacement ESDs are packaged with leads that are electrically shorted together by conductive foam, aluminum foil or other conductive materials.
8. Immediately before removing the protective material from the leads of a replacement ESD, touch the protective material to the chassis or circuit assembly into which the device will be installed.
9. Minimize body motions when handling unpackaged replacement ESDs. Motions such as brushing clothes together, or lifting a foot from a carpeted floor can generate enough static electricity to damage an ESD.

2. Reference Information

2-1 Tables of Abbreviations and Acronyms

Table 2-1 Abbreviations

| | | | |
|------|--|-----|------------------------|
| A | Ampere | MV | Megavolt |
| Ah | Ampere-hour | MW | Megawatt |
| Å | Angstrom | MΩ | Megohm |
| dB | Decibel | m | Meter |
| dBm | Decibel Referenced to One Milliwatt | μA | Microampere |
| °C | Degree Celsius | μF | Microfarad |
| °F | Degree Fahrenheit | μH | Microhenry |
| °K | degree Kelvin | μm | Micrometer |
| F | Farad | μs | Microsecond |
| G | Gauss | μW | Microwatt |
| GHz | Gigahertz | mA | Milliampere |
| g | Gram | mg | Milligram |
| H | Henry | mH | Millihenry |
| Hz | Hertz | ml | Milliliter |
| h | Hour | mm | Millimeter |
| ips | Inches Per Second | ms | Millisecond |
| kWh | Kilowatt-hour | mV | Millivolt |
| kg | Kilogram | nF | Nanofarad |
| kHz | Kilohertz | Ω | Ohm |
| kΩ | Kilohm | pF | Picofarad |
| km | Kilometer | lb | Pound |
| km/h | Kilometer Per Hour | rpm | Revolutions Per Minute |
| kV | Kilovolt | rps | Revolutions Per Second |
| kVA | Kilovolt-ampere | s | Second (Time) |
| kW | Kilowatt | V | Volt |
| l | Liter | VA | Volt-ampere |
| MHz | Megahertz | W | Watt |
| | | Wh | Watt-hour |

Table 2-2 Table of Acronyms

| | | | |
|-------|---|--------|---|
| ABL | Automatic Brightness Limiter | I/O | Input/output |
| AC | Alternating Current | L | Left |
| ACC | Automatic Chroma Control | L | Low |
| AF | Audio Frequency | LED | Light Emitting Diode |
| AFC | Automatic Frequency Control | LF | Low Frequency |
| AFT | Automatic Fine Tuning | MOSFET | Metal-Oxide-Semiconductor-Field-Effect-Tr |
| AGC | Automatic Gain Control | MTS | Multi-channel Television Sound |
| AM | Amplitude Modulation | NAB | National Association of Broadcasters |
| ANSI | American National Standards Institute | NEC | National Electric Code |
| APC | Automatic Phase Control | NTSC | National Television Systems Committee |
| APC | Automatic Picture Control | OSD | On Screen Display |
| A/V | Audio-Video | PCB | Printed Circuit Board |
| AVC | Automatic Volume Control | PLL | Phase-Locked Loop |
| BAL | Balance | PWM | Pulse Width Modulation |
| BPF | Bandpass Filter | QIF | Quadrature Intermediate Frequency |
| B-Y | Blue-Y | R | Right |
| CATV | Community Antenna Television (Cable TV) | RC | Resistor & Capacitor |
| CB | Citizens Band | RF | Radio Frequency |
| CCD | Charge Coupled Device | R-Y | Red-Y |
| CCTV | Closed Circuit Television | SAP | Second Audio Program |
| Ch | Channel | SAW | Surface Acoustic Wave(Filter) |
| CRT | Cathode Ray Tube | SIF | Sound Intermediate Frequency |
| CW | Continuous Wave | SMPS | Switching Mode Power Supply |
| DC | Direct Current | S/N | Signal/Noise |
| DVM | Digital Volt Meter | SW | Switch |
| EIA | Electronics Industries Association | TP | Test Point |
| ESD | Electrostatic Discharge | TTL | Transistor Transistor Logic |
| ESD | Electrostatically Sensitive Device | TV | Television |
| FBP | Feedback Pulse | UHF | Ultra High Frequency |
| FBT | Flyback Transformer | UL | Underwriters Laboratories |
| FF | Flip-Flop | UV | Ultraviolet |
| FM | Frequency Modulation | VCD | Variable-Capacitance Diode |
| FS | Fail Safe | VCO | Voltage Controlled Oscillator |
| GND | Ground | VCXO | Voltage Controlled Crystal Oscillator |
| G-Y | Green-Y | VHF | Very High Frequency |
| H | High | VIF | Video Intermediate Frequency |
| HF | High-Frequency | VR | Variable Resistor |
| HI-FI | High Fidelity | VTR | Video Tape Recorder |
| IC | Inductance-Capacitance | VTVM | Vacuum Tube Voltmeter |
| IC | Integrated Circuit | TR | Transistor |
| IF | Intermediate Frequency | | |

2-2 IC Line Up

| Table 2 - 3 IC Line - Up | | | | | |
|--------------------------|------------------|-------------------------|----------------------|-------------------------------|----------------------|
| NO | BOARD | LOC. NO | SPEC | DESCRIPTION | REMARK |
| 1 | MAIN | IC201S | VDP3112B | Video Processor | Refer to Table 2-3-1 |
| | | IC601 | MSP3411G | Multistandard Sound Processor | Refer to Table 2-3-2 |
| | | IC901 | SDA555X | MICOM, TTX(MTP) | |
| | | IC902 | KS24L161 | EEPROM | |
| | | IC602 | TDA7297 | Audio AMP | Refer to Table 2-3-3 |
| | | HIC201 | DRGB001 | RGB Drive AMP Hybrid IC | VM Option |
| | | HIC202 | | | |
| | | HIC203 | | | |
| | | HIC204 | | | |
| | | HIC401 | DDRI001 | 100Hz Horizontal Pulse AMP | Option |
| | | IC301 | LA7845 | Vertical IC | |
| | | Q402 | KSC2073-H2 | Horizontal Drive IC | HC401 |
| | | Q401 | KSD5703 | | |
| | | D414 | FMP-3FU | | |
| | | IC401 | KA393 | E/W Drive IC | |
| | | Q404 | IRF620 | | |
| | | IC801S | 3S1265R | SPS Controllor | |
| | | D801S | RBV606 | Bridge Diode | |
| | | PC801S | PC123Y | Photo Coupler | |
| | | IC802 | KA78R05 | 5V Controlled Regulator | HC801 |
| | | D805 | FML-G12S | Rectifier Diode | |
| | | D806 | | | |
| | | D807 | | | |
| | | D802 | FMG-G2CS | | |
| | | IC201 | KA78RM33 | 3.3V Regulator | VDPY |
| | | IC804 | KA7806 | 6V Regulator | |
| | | IC803 | KA78R08 | 8V Controlled Regulator | |
| | | IC903 | KA78RM33 | 3.3V Regulator | |
| | | IC904 | KIA7025AP | MICOM Reset IC | |
| | | Q909 | 2N7000 | IIC Level Shifter | |
| | | Q910 | | | |
| | | TU01S | TCLS3101PD09A9(S) | Main Tuner with IF Block | Refer to Table 2-3-4 |
| TU02S | TCPN3081PD09A(S) | Sub Tuner with IF Block | Refer to Table 2-3-5 | | |

Table 2 - 3 IC Line - Up

| NO | BOARD | LOC. NO | SPEC | DESCRIPTION | REMARK | |
|-------|--------------|---------------|------------|--------------------------------------|--------|--------|
| 2 | CRT | IC501 | TDA6111Q | Video Output AMP R.G.B Drive | | |
| | | IC502 | | | | |
| | | IC503 | | | | |
| | | QF04 | 2SC2344 | Push-Pull (VM) | Option | |
| | | QF05 | 2SA1011 | | | |
| | | QG02 | KSA940 | TR-Power (TILT) | | |
| | | QG03 | KSD2073-H2 | | | |
| ICG01 | KA4558 | OP-AMP (TILT) | | | | |
| 3 | DOUBLE FOCUS | ICH01 | KA4558 | OP-AMP | | Option |
| | | QH01 | 2SC4636RB | TR-Power | | |
| 4 | V-S/W | ICS01 | TEA6425 | Video Switching IC with Adder Output | Option | |
| 5 | PIP | ICP01 | SDA9489X | High-end Picture-In Picture IC | Option | |
| | | ICP02 | EZ1086CM | 3.3V Regulator | | |

Table 2-3-1 VIDEO IC (IC201S)

| SPEC | FUNCTION | REMARK |
|----------|---|--------|
| VDP3108B | 50Hz Basic | |
| VDP3112B | 50Hz, 2H Comb Filtr | |
| VDP3120B | 50Hz, 2H Comb Filter, Horizontal Scaler | |
| VDP3132Y | 50Hz, 2H Comb Filter, DVD Input | |
| VDP3140D | 100Hz | |

Table 2-3-2 SOUND IC (IC601)

| SPEC | FUNCTION | REMARK |
|----------|---|--------|
| MSP3400D | Multistandard, A2 Stereo | |
| MSP3410D | Multistandard, A2 Stereo, Nicam | |
| MSP3411G | Multistandard, A2 Stereo, Nicam, Vitual Dolby | |

Table 2-3-3 SOUND AMP (IC602)

| SPEC | FUNCTION | REMARK |
|---------|----------------------|--------|
| TDA7297 | 15W x 2CH, 10W x 2CH | |

Table 2-3-4 1'st TUNER (TU01S)

| SPEC | FUNCTION | REMARK |
|------------------|----------------------|--------|
| TCLS3101PD09A(S) | CS with LNA Function | Main |
| TCPS3001PD09D(S) | CS | |
| TCPS3001PD09E(S) | CS | India |

Note TCPS3001PD09A(S) is out-of-date, TCPS3001PD09D(S) which is up-to-date has the same function.

Table 2-3-5 2'nd TUNER (TU02S)

| SPEC | FUNCTION | REMARK |
|------------------|----------|--------|
| TCPS3000PC09B(S) | CS | Sub |

MEMO

3. Specifications

| | | | | |
|--------------------------|---------------------|-------------------------------|------------------|--|
| Television System | CS | PAL/SECAM-B/G,D/K,L,I, NTSC-M | | |
| Antena Input | | 75ohms, Coaxial Cable | | |
| Power | Consumption | 100W (Applied When 29" Flat) | | |
| | Requirements | 220V Only | | |
| | | Free Voltage | Not Present R815 | |
| Frequency | 50/60Hz | | | |
| Sound | Output | 15W x 2CH | | |
| | | 10W x 2CH | | |
| | | 5W x 2CH | | |
| | Effect | Vitual Dolby | | Option |
| | | Turbo Sound | | |
| Pseudo Stereo | | | | |
| Jacks | Front (AV2) | RCA Input | | |
| | | S-VHS | | Option |
| | | Head-Phone | | |
| | Back | 2Scart Input/Output | | AV1 : Scart I/O, RGB Input, RF Out AV2 : Scart I/O, Monitor Out |
| | | DVD Input(YPbPr) | | Option |
| | | AV2 Monitor Audio Output | | Option |
| | | S-VHS | | Option |

Specifications are subject to change.



Specifications for Model Name (Ex. CS29A6??8X/HAC)

| | Function | NOTE |
|-----------|-------------------------------|--------------------------------------|
| N | NICAM | "NICAM" means that A2 STEREO + NICAM |
| P | 2 TUNER PIP | |
| PF | 2 TUNER PIP, NICAM, TTX | |
| PT | 2 TUNER PIP, A2 STEREO, TTX | |
| PW | 2 TUNER PIP, A2 STEREO | |
| MT | 2 TUNER MULTI PIP, A2 STEREO, | |
| NT | NICAM, TTX | |
| WT | A2 STEREO, TTX | |
| GW | 1 TUNER PIP, A2 STEREO, TTX | |

MEMO

4. Alignment and Adjustments

4-1 General Alignment Instructions

1. Usually, a color TV-VCR needs only slight touch-up adjustment upon installation. Check the basic characteristics such as height, horizontal and vertical sync and focus.
2. Observe the picture for good black and white details. There should be objectionable color shading; if color shading is present, demagnetize, perform purity and convergence adjustments described below.
3. Use the specified test equipment or its equivalent.
4. Correct impedance matching is essential.
5. Avoid overload. Excessive signal from a sweep generator might overload the front-end of the TV. When inserting signal markers, do not allow the marker generator to distort test results.
6. Connect the TV only to an AC power source with voltage and frequency as specified on the backcover nameplate.
7. Do not attempt to connect or disconnect any wires while the TV is turned on. Make sure that the power cord is disconnected before replacing any parts.
8. To protect against shock hazard, use an isolation transformer.

4-2 Automatic Degaussing

A degaussing coil is mounted around the picture tube, so that external degaussing after moving the TV should be unnecessary. But the receiver must be properly degaussed upon installation.

The degaussing coil operates for about 1 second after the power is switched ON. If the set is moved or turned in a different direction, the power should be OFF for at least 10 minutes.

If the chassis or parts of the cabinet become magnetized, poor color purity will result. If this happens, use an external degaussing coil. Slowly move the degaussing coil around the faceplate of the picture tube and the sides and front of the receiver. Slowly withdraw the coil to a distance of about 6 feet before turning power OFF.

If color shading persists, perform the following Color purity and Convergence adjustments.

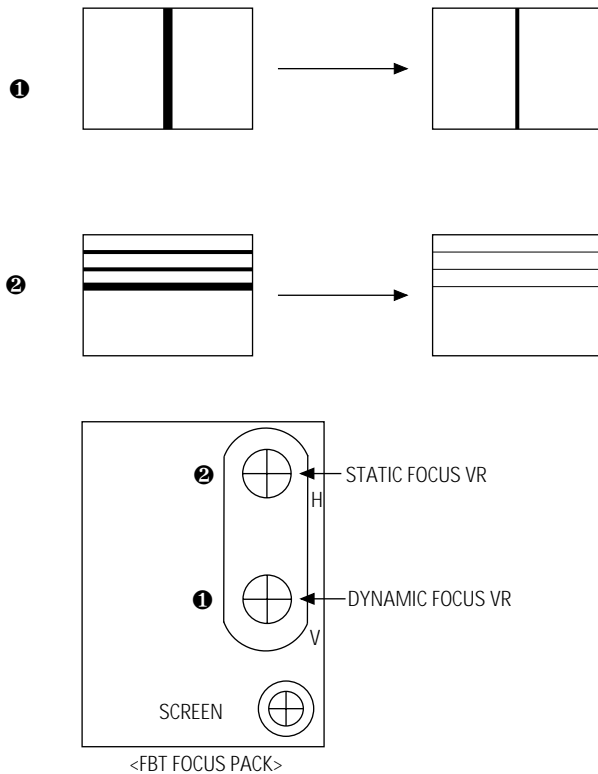
4-3 High voltage Check

CAUTION : There is no high voltage adjustment on this chassis. The B+ power supply should be +135 volts (with full color- bar input and normal picture level).

1. Connect a digital voltmeter to the second anode of the picture tube.
2. Turn on the TV. Set the Brightness and Contrast controls to minimum (zero beam current).
3. Adjust the Brightness and contrast controls to both extremes. Ensure that the high voltage does not exceed 32 KV under any conditions.

4-4 Dynamic Focus Adjustment

1. A dynamic focus adjustment should be done after replacing the CRT PCB, FBT or CRT.
2. Input a crosshatch pattern.
3. Enter " STANDARD " in video mode.
4. Turn the Dynamic focus VR fully clockwise (maximum). (❶)
5. Turn the Static focus VR fully counterclockwise (maximum). (❷)
6. Slowly turn the static focus VR counterclockwise. Adjust until the vertical line in the middle of the screen has maximum clarity. (❶)
7. Slowly turn the dynamic focus VR (clockwise) and adjust the 3rd horizontal line for maximum clarity. (❷)
8. Repeat 4-7, if necessary.



4-5 SCREEN Adjustment

1. Input Toshiba Pattern
2. Enter "Service Mode".(Refer to "Service Mode")
3. Select "G2-Adjust".
4. Set the values as below.

IBRM = 220
WDRV = 35
CDL = 220
COLR G B = 150 150 150

5. Turn the SCREEN VR until "MRCR G B" and "MRWDG" are green and those value are about 100.
(The incorrect SCREEN Voltage may result that "MRCR G B" and "MRWDG" should be red)

Note 1. When you do not have Toshiba Pattern, follow this method.

1. Set the TV on the condition that AV mode no signal(black)
2. Enter the "Menu" and set the mode to blue screen off.
3. Enter the "Service Mode".
4. Select " G2-Adjust".
5. Set the values as below.

IBRM = 220
WDRV = 35
CDL = 220
COLR G B = 150 150 150

6. Turn the SCREEN VR until the value of " MRCR G B" is about 120. Do not mind that the "OSD" Color is red.

■ After completing G2-Adjust, follow this procedure.

- ① Enter the "Video Adjust 1".
- ② Choose any item in menu. (ex. Select "Red Cutoff")
- ③ Change the value of item you select, and recover the value.

For example, when the value of "Red Cutoff" is 127, change the value to 128 and restore the value to 127.

If you do not follow this procedure, the picture may be abnormal.
 For example, when the TV set is on, the picture becomes brighter gradually.

4-6 E²PROM (IC902) Replacement

1. When IC902 is replaced, all adjustment data revert to the initial values.
So, all adjustment values when servicing should be readjusted.
2. After IC902 is replaced, connect the AC power supply cord.
3. Turn the power switch ON.
4. In stand-by, warm up the TV for at least 10 seconds.
5. Power on the TV.

4-7 White Balance Adjustment

- Equipment : Color-Analyzer (CA-100)
- Input Signal : Pattern signal (Toshiba pattern)

1. Select STANDARD from the menu.
2. Input an 100% White pattern.
3. Enter the "Service Mode". (Refer to "4-8 Service Mode")
4. Warm up the TV set at least for 30 minutes.
5. Input a Toshiba pattern signal.
6. Enter the "Video Adjust1".
 - Adjust "Sub Contrast" so that Y (luminance) becomes $40 \text{ ft} \pm 3$.
 - Use "Red Drive" and "Blue Drive" to adjust High-Light (x : 290, y : 300)
 - Adjust "Sub Bright" so that Y (luminance) becomes $1.3\text{ft} \pm 0.3$.
 - Use "Red Cutoff" and "Blue Cutoff" to adjust Low-Light (x : 290, y : 300).
7. Adjust CA-100 so that the final adjustment value can be fixed.
8. Use the Channel Up/Down (▲/▼) buttons to move the cursor on the adjustment modes.
9. Use the Volume +/- buttons to change the adjustment value.

4-8 Factory Adjustment

4-8-1 Service Mode

1. To enter the "Service Mode", Press the remote-control keys in this sequence :

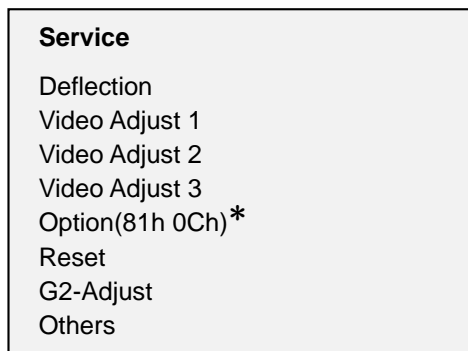
- If you do not have Factory remote-control



- If you have Factory remote-control



2. After the Service Mode is entered, the initial screen is as shown in the figure below.



* These hexa digits are check sum value which depends on the MICOM.
If check sum value is changed, the value of E²PROM Data newly initialed.

3. Use the Channel Up/Down buttons to move the cursor in the adjustment parameters.

Note 2.

- When CRT, CRT PCB, FBT, E²PROM (sometimes MICOM) is replaced, the adjustment values should be controlled.
- After the Service adjustment is completed, Do not select "Reset" in the service mode menu. (After above procedure is done, power is on initially and the "Plug and Play" will be operated.)

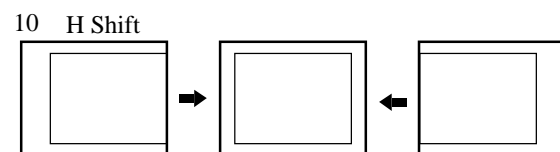
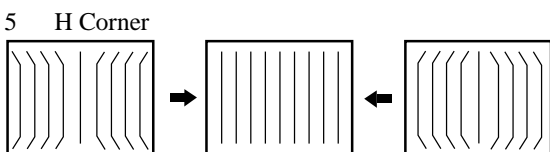
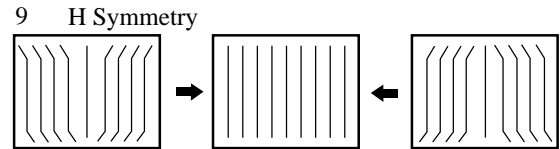
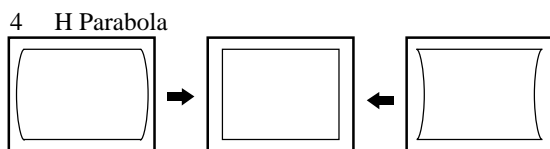
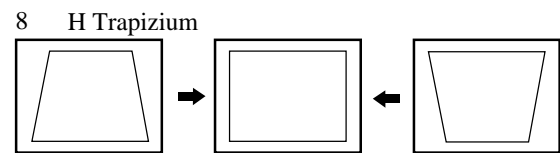
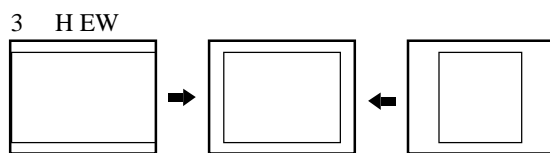
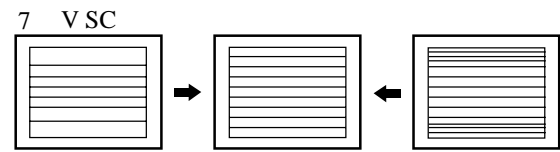
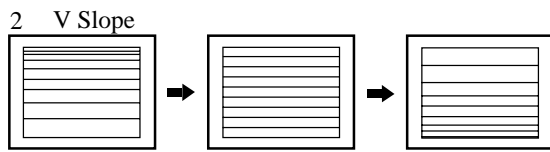
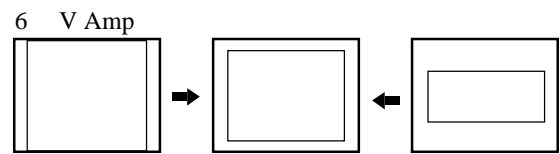
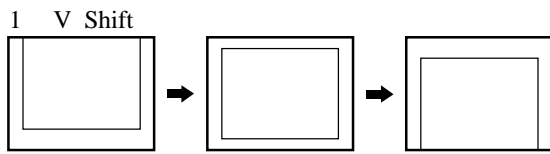
4-8-2 Memory Data

4-8-2(A) DEFLECTION (GEOMETRIC ADJUSTMENT VALUE)

 Fixed Value

| No. | OSD | Range | Initial Value | Function | Remark |
|-----|----------------|-----------|---------------|---|--------------------|
| 1 | V Shift | -128 ~127 | -30 | Adjust Vertical Picture Position | |
| 2 | V Amp | -128 ~127 | -7 | Adjust Vertical Picture Size | |
| 3 | V Slope | -128 ~127 | -3 | Adjust Vertical Slope Correction | |
| 4 | V SC | -128 ~127 | -17 | Adjust Vertical S-Correction | Not to be adjusted |
| 5 | H EW | -128 ~127 | 73 | Adjust Horizontal Picture Size | |
| 6 | H Trapizium | -128 ~127 | -47 | Adjust Horizontal Trapeziod | |
| 7 | H Parabola | -128 ~127 | -7 | Adjust Horizontal Parabola Wave | |
| 8 | H Symmetry | -128 ~127 | 13 | Adjust Horizontal Symmetry | Not to be adjusted |
| 9 | H Corner | -128 ~127 | 23 | Adjust Horizontal Corner | |
| 10 | H Shift | -128 ~127 | 13 | Adjust Horizontal Position | |
| 11 | PIP Contrast | 0 ~ 15 | 8 | Adjust PIP Contrast | |
| 12 | PIP Tint | 0 ~ 63 | 0 | Adjust PIP Tinit | |
| 13 | PIP PAL V Pos | 0 ~ 255 | 26 | Adjust PIP Vertical Position (Main Picture is PAL) | |
| 14 | PIP NTSC V Pos | 0 ~ 255 | 23 | Adjust PIP Vertical Position (Main Picture is NTSC) | |
| 15 | PIP H Pos | 0 ~ 255 | 30 | Adjust PIP Horizontal Position | |
| 16 | PIP BLKLG | 0 ~ 15 | 6 | Adjust PIP Green Cutoff Level | |

4-8-2(B) SCREEN CHANGE (I2C BUS GEOMETRIC ADJUSTMENT)



4-8-2(C) VIDEO ADJUST 1

Fixed Value

| No. | OSD | Range | Initial Value | Function | Remark |
|-----|---------------|---------|---------------|--|--------------------|
| 1 | Red Cutoff | 0 ~255 | 127 | Adjust Red Cutoff Level | Low Light |
| 2 | Green Cutoff | 0 ~255 | 127 | Adjust Green Cutoff Level | |
| 3 | Blue Cutoff | 0 ~255 | 127 | Adjust Blue Cutoff Level | |
| 4 | Red Drive | 0 ~255 | 127 | Adjust Red Output Gain | High Light |
| 5 | Green Drive | 0 ~255 | 127 | Adjust Green Output Gain | |
| 6 | Blue Drive | 0 ~255 | 127 | Adjust Blue Output Gain | |
| 7 | Sub Bright | 0 ~ 200 | 100 | Adjust Brightness Level | Low Light |
| 8 | Sub Contrast | 0 ~ 13 | 50 | Adjust Contrast Level | High Light |
| 9 | Sub Color | 0 ~ 27 | 27 | Adjust Color Level | Not to be adjusted |
| 10 | Sub Tint | 0 ~ 100 | 80 | Adjust Tint | |
| 11 | BCL Threshold | 0 ~ 255 | 65 | Adjust Beam Control Limit Refer to Note 3 | |
| 12 | BCL Gain | 0 ~ 15 | 8 | | |
| 13 | BCL Time | 0 ~ 15 | 9 | | |
| 14 | TTX Contrast | 0 ~ 255 | 90 | Adjust OSD/TTX Contrast | |
| 15 | YC Delay | 0 ~ 8 | * | Refer to Table 1 | |

Note 3. Beam Control Limit Characteristic

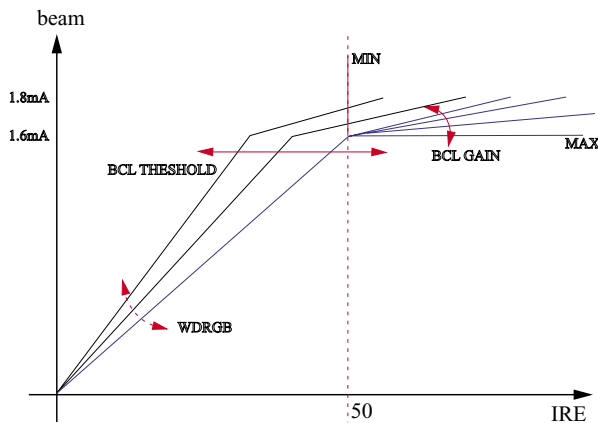


Table 1. YC Delay Adjustment Table

| YC Delay | PAL | | | | | SECAM | | | | | NTSC | |
|----------|------|----|----|---|---|-------|----|----|---|---|------|---|
| | Def. | BG | DK | I | L | Def. | BG | DK | I | L | Def. | M |
| Value | 4 | 3 | 6 | 6 | 7 | 1 | 1 | 5 | 8 | 5 | 4 | 3 |

✍ The "Def." means that TV is in AV mode.

4-8-2(D) VIDEO 2 ADJUST

Fixed Value

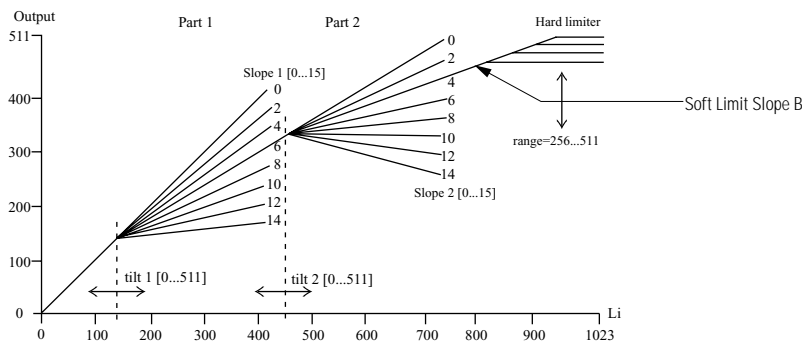
| No. | OSD | Range | Initial Value | Function | Remark |
|-----|------------------|---------|---------------|---------------------------------------|--------|
| 1 | B stretch-BTHR | 0 ~ 55 | 50 | Black Stretch Threshold | |
| 2 | B stretch-BTLT | 0 ~ 15 | 8 | Black Stretch Tilt Position | |
| 3 | B stretch-BAM | 0 ~ 31 | 4 | Black Stretch Amount | |
| 4 | Coring <i>✍</i> | 10 ~ 31 | 20 | Luma Peaking Filter Coring | |
| 5 | RGB Bright | 0 ~ 255 | 45 | OSD/TTX RGB Bright | |
| 6 | RGB Contrast | 0 ~ 255 | 15 | OSD/TTX RGB Contrast | |
| 7 | EHT Time | 0 ~ 15 | 0 | Electronic High Tension Response Time | |
| 8 | EHT Compensation | 0 ~ 255 | 90 | Electronic High Tension Coefficient | |

✍ Coring : The Value of Center Frequency for the active bandwidth.

4-8-2(E) VIDEO 3 ADJUST

| No. | OSD | Range | Initial Value | Function | Remark |
|-----|--------------------|---------|---------------|--------------------------------------|---------------------|
| 1 | Peak Threshold | 0 ~ 255 | 185 | White Peak Level Threshold | Refer to Note Below |
| 2 | Soft Limit Slope B | 0 ~ 15 | 4 | Refer to Picture Below | |
| 3 | Hard Limit | 0 ~ 255 | 255 | | |
| 4 | Peak Video Ref | 0 ~ 4 | 0 | White Peak Level Threshold Reference | |
| 5 | Peak Video Gain | 0 ~ 5 | 0 | White Peak Level Threshold Gain | |
| 6 | ACC-REF(PAL/NTSC) | 0 ~ 40 | 33 | Auto Color Control | |
| 7 | ACCR(SECAM) | 0 ~ 39 | 39 | | |


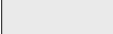


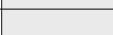
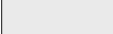
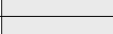
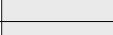
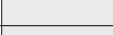

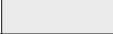
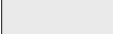
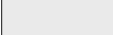
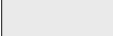
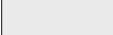
Note 4. Soft Limit & Hard Limit



✍ "Soft Limit" is that Limiting the peak white without feed-back, but "Peak Limit" is that with feed-back for white peak level

4-8-2(E) OPTION

 Fixed Value

| No. | OSD | Initial Value  | Function | Remark |
|-----|--------------|---|--|--|
| 1 | Language |  | Arab, Iran, Lybya, CIS | OSD Language |
| 2 | Sound |  | A2/NICAM, V-Dolby, Mono, L-Stereo | Depending on IC601 Refer to Note 5 |
| 3 | CRT |  | 4:3, Wide, Q(12.8:9), 4:3-16:9, Q-16:9 | S:S-VHS, D:DVD |
| 4 | AV Mode |  | 2Scart, 2Scart+S, 1RCA, 2RCA, 2RCA+S, 2RCA+D, 2RCA+S+D, 1Scart | |
| 5 | X-Ray |  | Off, On | |
| 6 | Tilt Control |  | Off, On | |
| 7 | Auto FM |  | Off, On | |
| 8 | PIP |  | 2-Tuner, 1-Tuner, Off | |
| 9 | Txt Language |  | Arabic, Farsi, Arab-Hebrew, West Europe, East Europe, Russian, Greek-Turkey | |
| 10 | LNA |  | Off, On | When PIP is "2-Tuner", set to "ON" |
| 11 | Equalizer |  | Off, On | |
| 12 | High Deviate |  | Off, On | |
| 13 | TTX On/Off |  | Off, On | |
| 14 | AV by CH key |  | Off, On | Without "TV/VIDEO" key in the front panel, set to "On" |

 Initial Value : Refer to Note 6 on the next page.

Note 5.

| Sound | IC601 |
|----------|-------------------------------------|
| A2/NICAM | MSP3400D, MSP3410D |
| V-DOLBY | MSP3411G |
| Mono | Not used this mode for KS3A Chassis |
| L-Stereo | |

Note 6. Option.

| | CS29A5WT8X/UMG | CS29A6PF8X/HAC | CS29A6WT8X/BWT | CS29A5MT9X/BWT |
|---------------|----------------|----------------|----------------|----------------|
| Description | Initial Vaue | Initial Vaue | Initial Vaue | Initial Vaue |
| LANGUAGE | Arab | Arab | CIS | CIS |
| SOUND | V-Dolby | V-Dolby | A2/Nicam | A2/Nicam |
| CRT | 4:3 | 4:3 | 4:3 | 4:3 |
| AV MODE | 2 RCA + S | 2 RCA + S | 2 SCART + S | 2 SCART + S |
| X-RAY | OFF | OFF | OFF | OFF |
| TILT CONTROL | ON | ON | ON | ON |
| AUTO FM | ON | ON | ON | ON |
| PIP | OFF | 2-Tuner | OFF | 2-Tuner |
| TEXT LANGUAGE | Arabic | Farsi | RUSSIAN | RUSSIAN |
| LNA | OFF | ON | OFF | ON |
| EQUALIZER | ON | ON | ON | ON |
| HIGH DEVIATE | ON | ON | ON | ON |
| TTX ON/OFF | ON | ON | ON | ON |
| AV BY CH KEY | ON | OFF | OFF | ON |
| OPTION BYTE | 84 CC D8 | 85 DC 5E | 83 AC 28 | 83 AC AE |

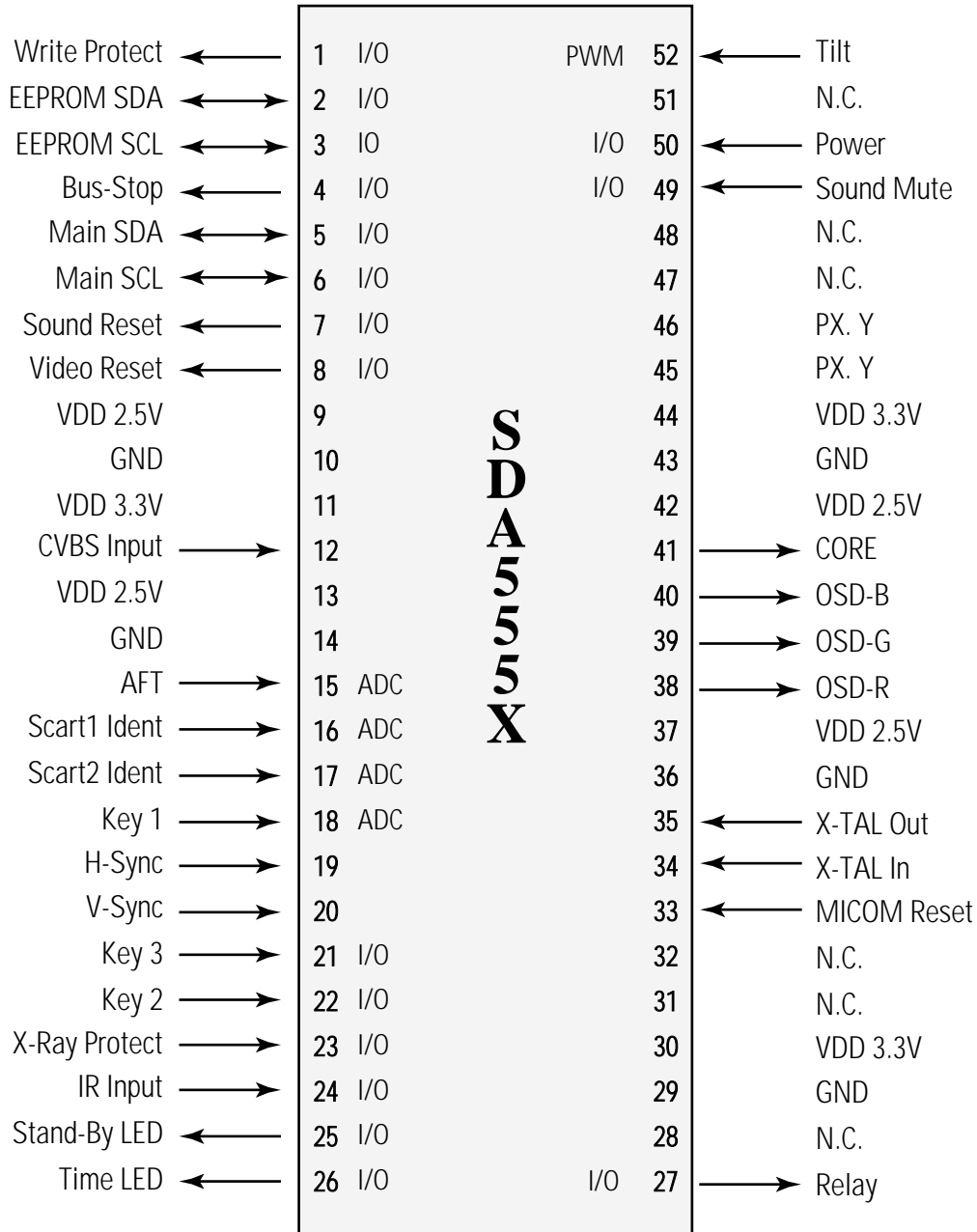
4-8-2(F) OTHERS

| | |
|--|-------------|
| | Fixed Value |
|--|-------------|

| No. | OSD | Range | Initial Value | Function | Remark |
|-----|-------------------|-----------|---------------|---|--------|
| 1 | VSU | 96 ~ 111 | 98 | Vertical Set Up Time | |
| 2 | H QEW | -30 ~ 30 | 0 | | |
| 3 | H ZOOM Parabola | -30 ~ 30 | 8 | Adjust Horizontal Parabola in Zoom Mode | |
| 4 | H 16:9 Parabola | -30 ~ 30 | -15 | Adjust Horizontal Parabola in 16:9 Mode | |
| 5 | TTX H Shift | -30 ~ 30 | 6 | Adjust Horizontal OSD/TTX Position | |
| 6 | Mono Sound System | BG/DK/I/M | BG | | |
| 7 | V Slice Level | 0 ~ 3 | 2 | | |
| 8 | Melody Volumn | 0 ~ 20 | 8 | Adjust Melody Volumn | |

4-9 MICOM

4-9-1 Pin Layout



4-9-2 Pin Assignment Specification

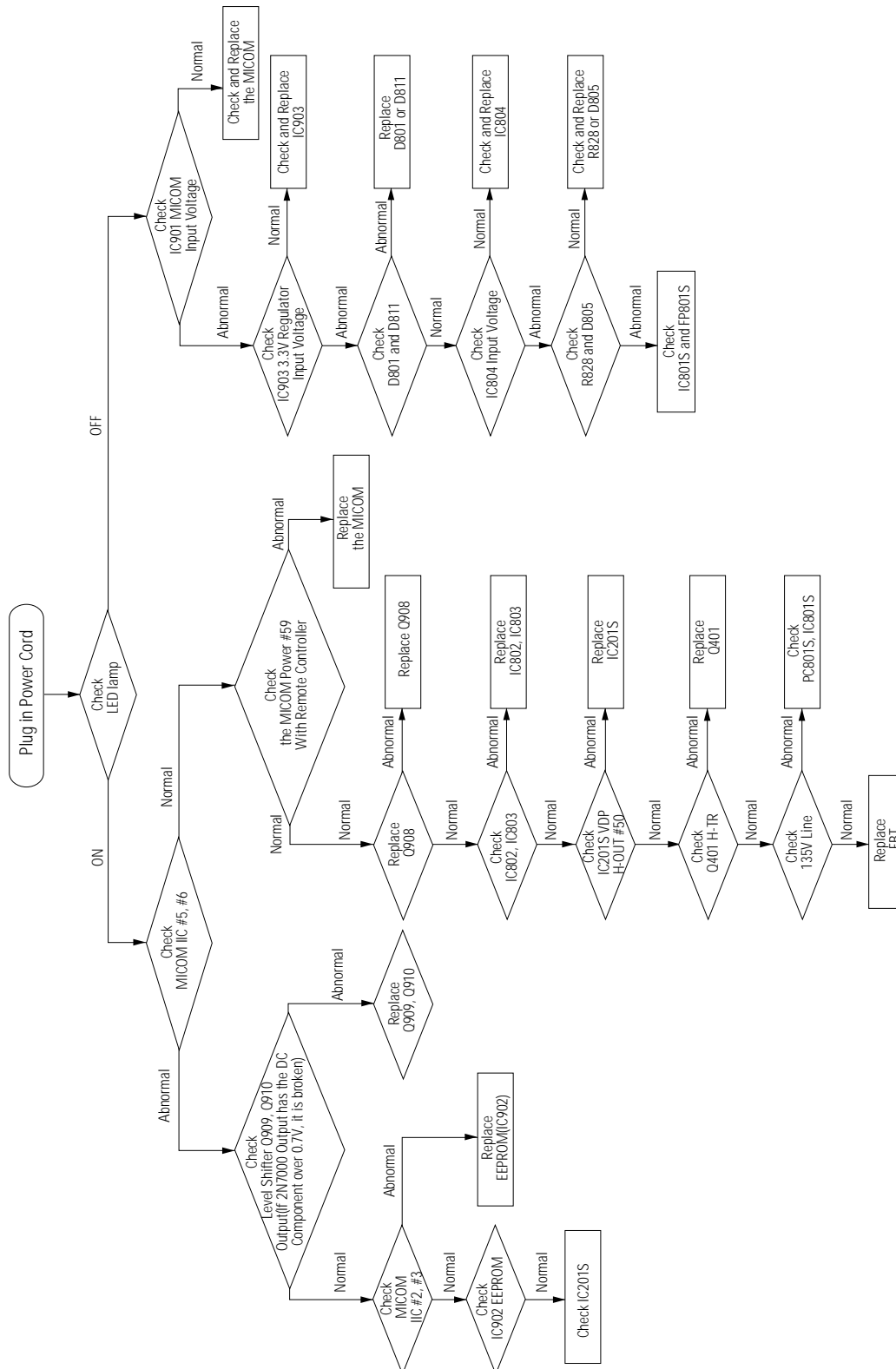
| PIN NO | FUNCTION | ASSIGN | IN/OUT | ACTIVE H/L | DESCRIPTION |
|--------|----------|---------------|--------|------------|---------------------------------|
| 1 | I/O | Write Protect | Out | Low | EEPROM Write Protection |
| 2 | I/O | ROM SDA | I/O | | EEPROM Serial Data Line |
| 3 | I/O | ROM SCL | I/O | | EEPROM Serial Clock Line |
| 4 | I/O | Bus Stop | In | Low | Disable Micom IIC |
| 5 | I/O | Main SDA | I/O | | Peripheral IC Serial Data Line |
| 6 | I/O | Main SCL | I/O | Low | Peripheral IC Serial Clock Line |
| 7 | I/O | Sound Reset | Out | Low | MSP IC Initial Control |
| 8 | I/O | Video Reset | Out | | VDP IC Initial Control |
| 9 | Vdd | VDD 2.5V | | | |
| 10 | GND | | | | |
| 11 | Vdd | VDD 3.3V | | | |
| 12 | CVBS | CVBS Input | In | | TTX CVBS Input |
| 13 | Vdd | VDD 2.5V | | | Analog B+ |
| 14 | GND | | | | Analog Ground |
| 15 | ADC | AFT | In | | Auto Fine Tuning Control |
| 16 | ADC | SC1-ID | In | | Scart1 Ident |
| 17 | ADC | SC2-ID | In | | Scart2 Ident |
| 18 | ADC | Key1 | In | | Key1 Input |
| 19 | HS | H-Sync | In | | Horizontal Sync Input |
| 20 | VS | V-Sync | In | | Vertical Sync Input |
| 21 | I/O | Key3 | In | | Key3 Input |
| 22 | I/O | Key2 | In | | Key2 Input |
| 23 | I/O | X-Ray | In | | X-Ray Protection |
| 24 | I/O | IR-In | In | | Remocon Signal Input |
| 25 | I/O | STD-LED | Out | | LED Drive Output(Red) |
| 26 | I/O | TIM-LED | Out | | LED Drive Output(Green) |

4-9-2 Pin Assignment Specification (Continued)

| PIN NO | FUNCTION | ASSIGN | IN/OUT | ACTIVE H/L | DESCRIPTION |
|--------|----------|-----------|--------|------------|--|
| 27 | I/O | Relay | Out | Low | Activate Degaussing Coil |
| 28 | N.C. | | | | Not Used (Programmed Gound Level) |
| 29 | GND | | | | Analog Ground |
| 30 | Vdd | VDD 3.3V | | | Not Used (Programmed Gound Level) |
| 31 | N.C. | | | | Not Used (Programmed Gound Level) |
| 32 | N.C. | | | | Micom Hardware Reset |
| 33 | Reset | Reset | In | Low | Crystal Oscillation Input |
| 34 | X-In | X-TAL In | In | 6MHz | Crystal Oscillation Output |
| 35 | X-Out | X-TAL Out | Out | 6MHz | Analog Ground |
| 36 | GND | | | | Analog B+ |
| 37 | Vdd | VDD 2.5V | | | OSD/TTX Output (Red) |
| 38 | R | OSD-R | Out | | OSD/TTX Output (Green) |
| 39 | G | OSD-G | Out | | OSD/TTX Output (Blue) |
| 40 | B | OSD-B | Out | | Fast Blank/Half Contrast Output |
| 41 | COR | CORE | Out | | |
| 42 | Vdd | VDD 2.5V | | | |
| 43 | GND | | | | |
| 44 | Vdd | VDD 3.3V | | | |
| 45 | I/O | PX.Y | In | | When The Caption Function Adopted, Used. |
| 46 | I/O | PX.Y | Out | | |
| 47 | N.C. | | | | Not Used (Programmed Gound Level) |
| 48 | N.C. | | | | |
| 49 | I/O | S-Mute | Out | High | Sound Amp Mute |
| 50 | I/O | Power | Out | Low | Picture On/Off Control |
| 51 | N.C. | | | | Not Used (Programmed Gound Level) |
| 52 | I/O | Tilt | Out | PWM | Tilt Control Output |

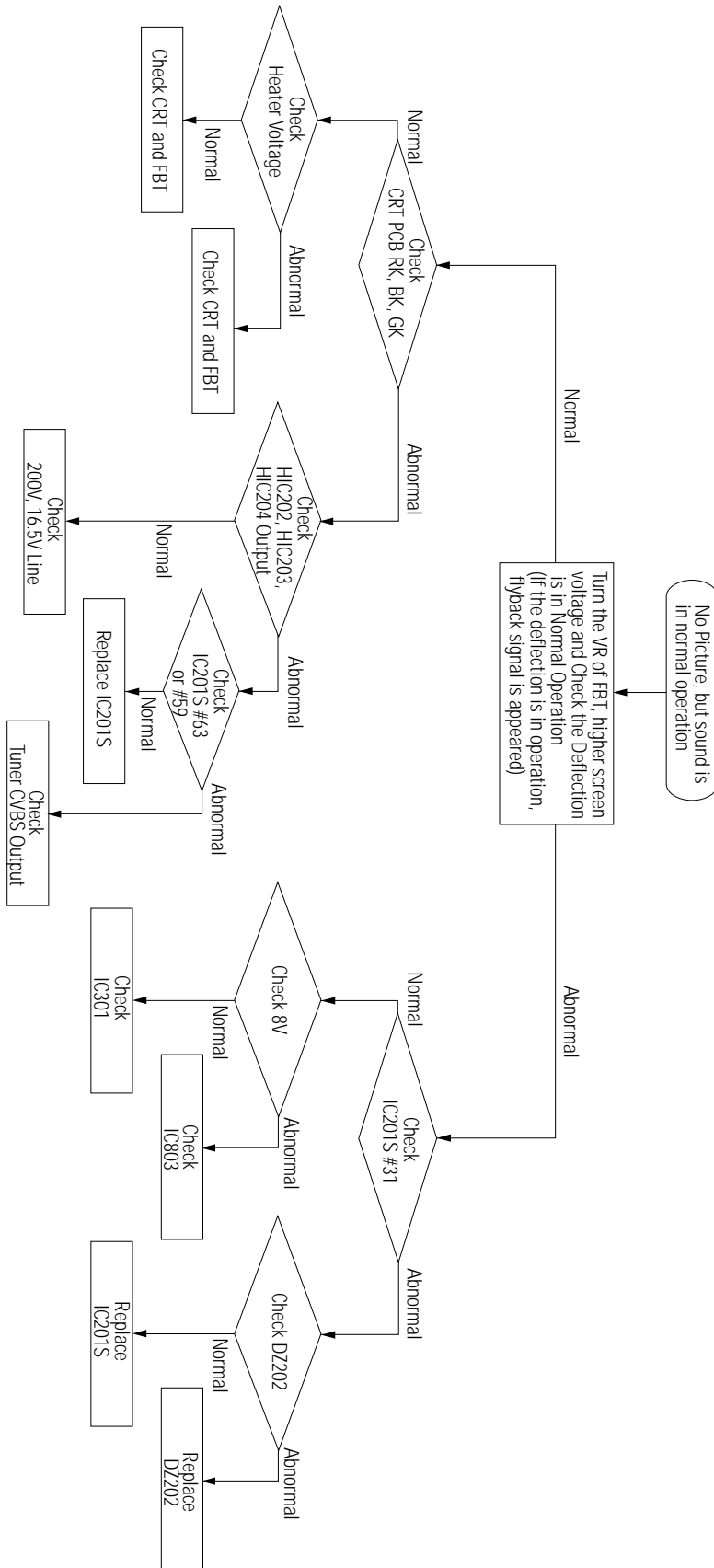
5. Troubleshooting

5-1 No Power

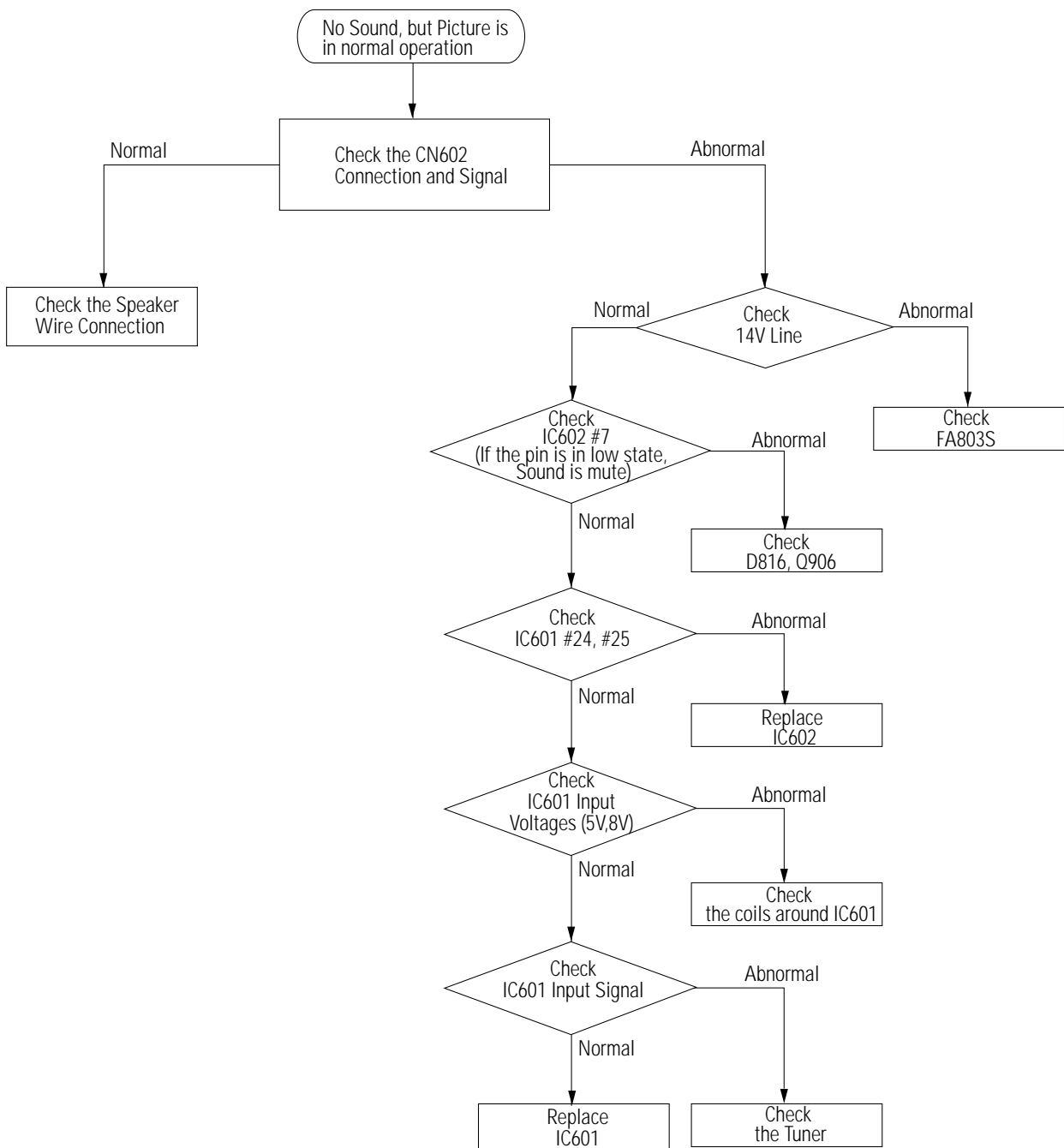


Note : When you check whether any component is normal, you must let the output pin be open in order not to be affected by the side of output.

5-2 No Picture



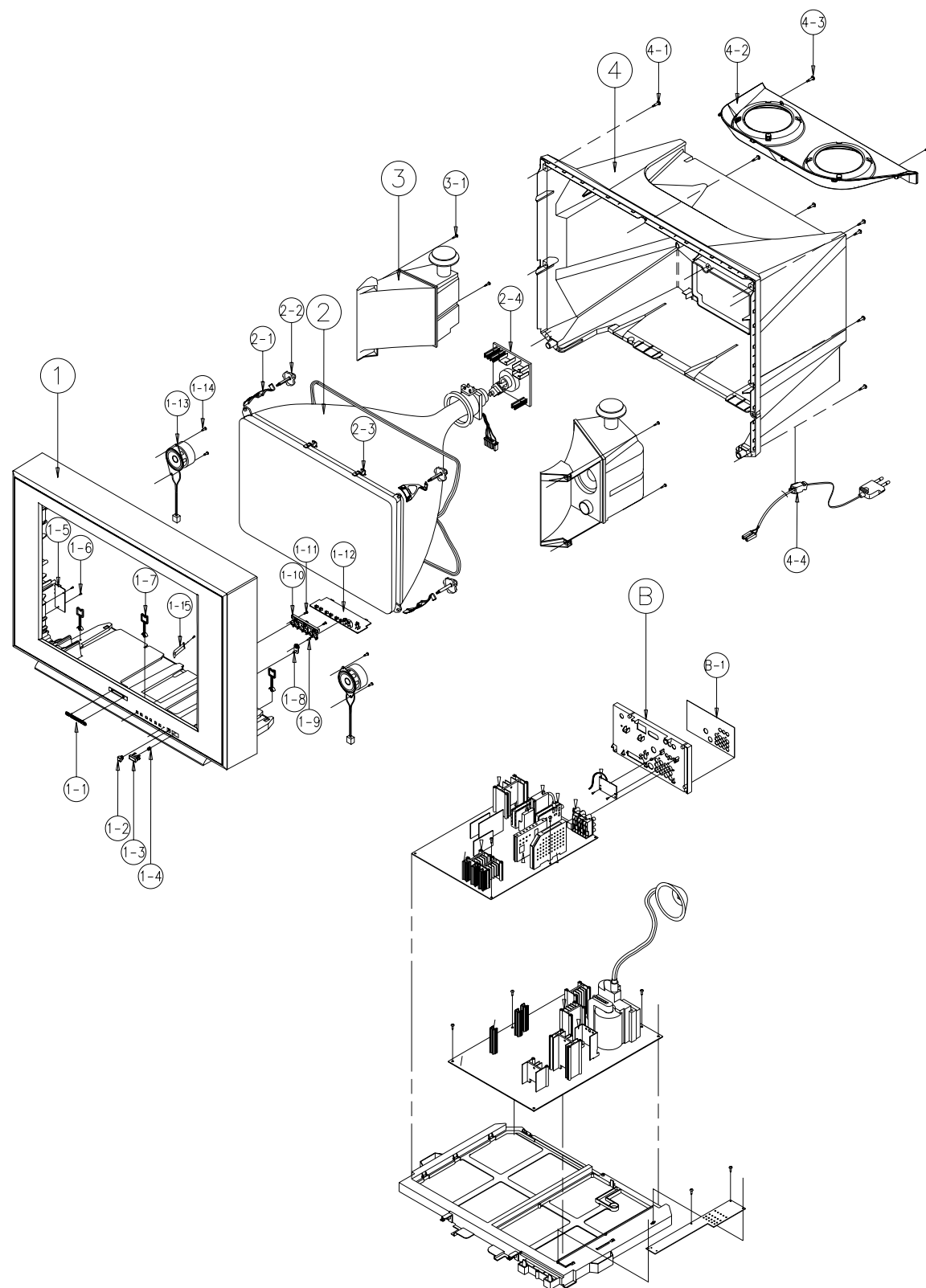
5-3 No Sound



MEMO

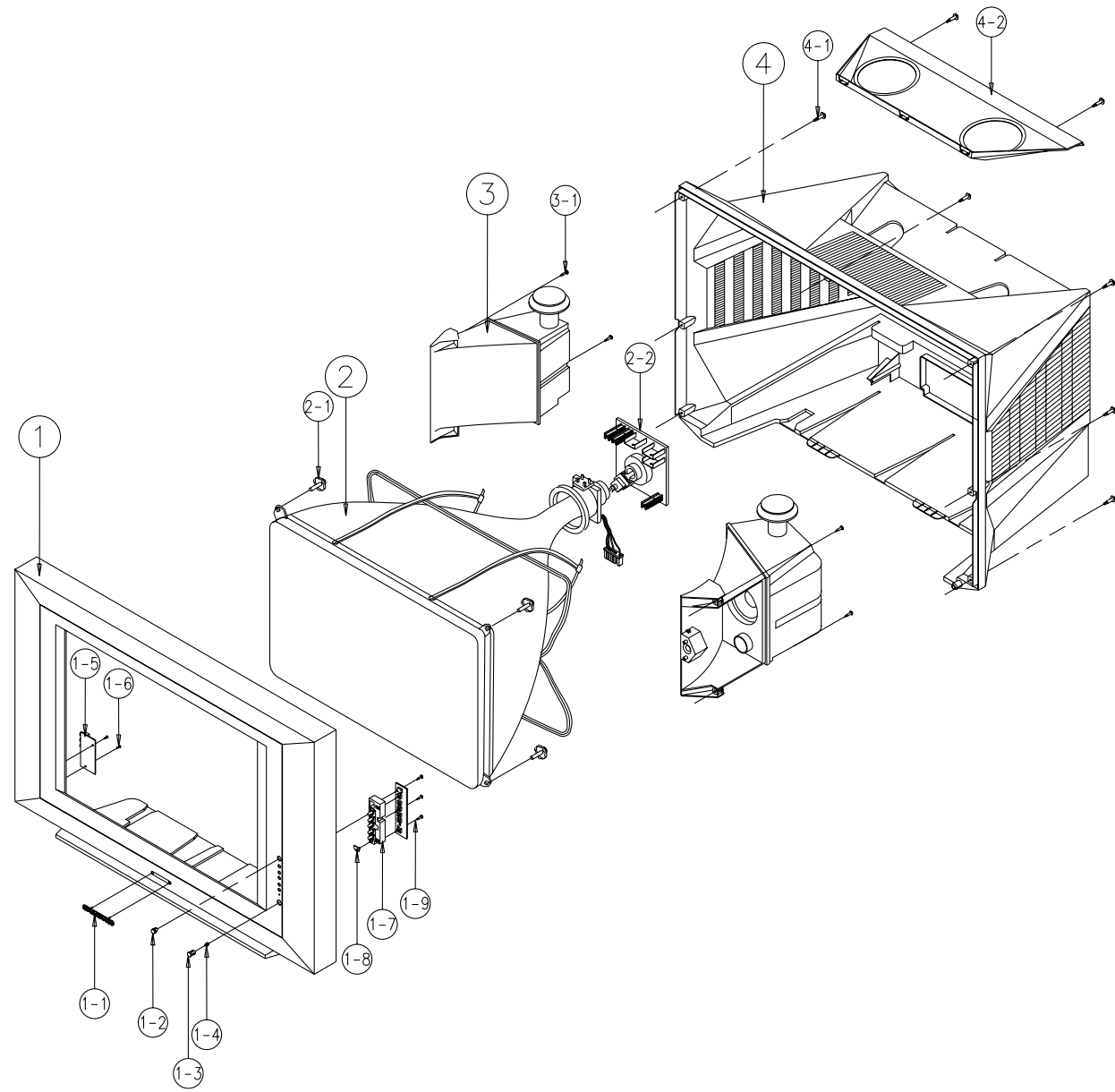
6. Exploded View & Parts List

6-1 CS29A6WT8X/BWT



| No | Code No | Description | Specification | Q'ty | Remark |
|------|-------------|--------------------|---------------------------------|------|--------|
| 1 | AA64-01222C | CABINET FRONT | ;29A6 KS3A PLANO,S704+B702 | 1 | |
| 1-1 | AA64-70117B | BADGE-BRAND | ;AL,SS,SILVER,L65,R2000,-,- | 1 | |
| 1-2 | AA64-40516B | WINDOW-REMOCON | ;-,29A6,-,PC,V0,VIOLET,- | 1 | |
| 1-3 | AA64-10792B | KNOB-POWER | ;-,29A6,NO-SILK SV704P+W971 ,A | 1 | |
| 1-4 | AA61-60003J | SPRING-CS | ;-,SUS304,0.5,OD6,H12,N7,-,-,- | 1 | |
| 1-5 | AA95-00682A | ASSY-PCB,A/V SIDE | ;-,29A6,29A5,KS3A,PAL,- | 1 | |
| 1-6 | 6002-000522 | SCREW-TAPPING | ;TH,+2,M4,L15,ZPC(BLK),SWR | 2 | |
| 1-7 | AA65-00011C | CLAMP-WIRE | ;ALL MODEL,NYLON 66,V2,NTR,25M | 3 | |
| 1-8 | AA64-40517B | INDICATOR-LED | ;-,,-,ACRYL,-,CLEAR,- | 1 | |
| 1-9 | 6003-001019 | SCREW-TAPTITE | ;RH,+B,M4,L12,ZPC(BLK),SWR | 1 | |
| 1-10 | AA64-00028A | KNOB-CONTROL | ;-,29A6,SV808P+W971,ABS,HB,G | 1 | |
| 1-11 | 6003-001019 | SCREW-TAPTITE | ;RH,+B,M4,L12,ZPC(BLK),SWR | 2 | |
| 1-12 | AA95-00558A | ASSY PCB CONTROL | ;-,KS3A,29A6,- | 1 | |
| 1-13 | AA91-00335A | ASSY HOLDER SPK | ;-,PP,8ohm/15W,blk,housin | 2 | |
| 1-14 | 6003-001019 | SCREW-TAPTITE | ;RH,+B,M4,L12,ZPC(BLK),SWR | 4 | |
| 1-15 | AA61-10054A | BRACKET-CRATER | ;-,6277,STS304,T0.5,-,-,- | 1 | |
| 2 | AA03-00075A | CRT-COLOR | ;-,A68QCP891X003(C),+380MG,29IN | 1 | |
| 2-1 | AA65-30113A | CLAMP-D,COIL | ;NYLON 66,V2,BLK,TVI 25-29,- | 4 | |
| 2-2 | AA60-10050A | SCREW-ASSY | ;WP,RH,+M4,L25,SWRCH18A,-,ZPC | 4 | |
| 2-3 | AA65-30113A | CLAMP-D,COIL | ;NYLON 66,V2,BLK,TVI 25-29,- | 4 | |
| 2-4 | AA95-00700A | ASSY PCB CRT | ;-,KS3A,29A6,-,PAL | 1 | |
| 3 | AA91-00334B | ASSY HOLDER SPK | ;-,PP,8ohm/15W,BLK,AA91-0 | 1 | |
| 3-1 | AA60-10050A | SCREW-ASSY | ;WP,RH,+M4,L25,SWRCH18A,-,ZPC | 4 | |
| 4 | AA64-00027C | CABINET-BACK | ;-,72A6,-,HIPS,V2,BLK,-,- | 1 | |
| 4-1 | 6003-001025 | SCREW-TAPTITE | ;RH,+B,M4,L20,ZPC(BLK),SWR | 7 | |
| 4-2 | AA63-00005C | COVER-TOP,SPEAKER | ;-,72A6,-,HIPS,V2,BLK,- | 1 | |
| 4-3 | 6003-001025 | SCREW-TAPTITE | ;RH,+B,M4,L20,ZPC(BLK),SWR | 2 | |
| 4-4 | AA96-20130C | ASSY-POWER,CORD | ;-,CP2/NO(4.0R),H/C300MM, | 1 | |
| B | AA63-00164B | TERMINAL-BOARD,ANT | ;-,HIPS VO BLK,-,D3,32 | 1 | |
| B-1 | AA64-00894B | INLAY BACK | ;D2,D3,SCART(2),PS SHEET,T0.3, | 1 | |

6-2 CS29A5WT8X/XSG



| No | Code No | Description | Specification | Q'ty | Remark |
|-----|---------------|-----------------|---------------------------------|------|--------|
| 1 | AA64-31106J | CABINET FRONT | ;CS-29A5WT KS3A PLANO,S704P | 1 | |
| 1-1 | AA64-70117B | BADGE-BRAND | ;AL,SS,SILVER,L65,R2000,-,- | 1 | |
| 1-2 | AA64-40455A | WINDOW-REMOCON | ;-,725A,-,PC,-,VIOLET,- | 1 | |
| 1-3 | AA64-10709A | KNOB-MASTER | ;-,295A,VT803M MASTER,ABS,HB, | 1 | |
| 1-4 | AA61-60005D | SPRING-CS | ;-,SUS304,0.4,OD5.5,H9,N4,-,- | 1 | |
| 1-5 | AA41-00155A | PCB-SIDE AV | ;KS3A,1L,FR-1,245x245x1.6T,8A | 1 | |
| 1-6 | 6002-000522 | SCREW-TAPPING | ;TH,+2,M4,L15,ZPC(BLK),SWR | 2 | |
| 1-7 | AA64-10710A | KNOB-CONTROL | ;-,725A,-,ABS,HB,GRAY | 1 | |
| 1-8 | AA64-40456B | INDICATOR-LED | ;-,295A,-,ACRYL,-,CLR,- | 1 | |
| 1-9 | 6002-000514 | SCREW-TAPPING | ;RH,+2,M4,L15,ZPC(BLK),SWR | 3 | |
| 2 | AA03-00075A | CRT-COLOR | ;-,A68QCP891X003(C),+380MG,29IN | 1 | |
| 2-1 | AA60-10050V | SCREW-ASSY | ;WC,HH,+M6,L30,SWRCH18A,ZPC(S | 4 | |
| 2-2 | 3704-001032 | SOCKET-CRT | ;8P,29PI,35.5PI,AU30U | 1 | |
| 3 | * AA91-00333B | ASSY HOLDER SPK | ;-,PP,8ohm/15W,BLK,AA91-0 | 1 | |
| 3-1 | AA60-10050V | SCREW-ASSY | ;WC,HH,+M6,L30,SWRCH18A,ZPC(S | 4 | |
| 4 | AA64-31107D | CABINET-BACK | ;-,29A5,-,HIPS,HB,BLK,-,- | 1 | |
| 4-1 | AA60-10050T | SCREW-TAPPING | ;RH,+2S,M4,L20,ZPC(BLK),SW | 7 | |
| 4-2 | AA63-30213D | COVER-TOP,SPK | ;-,29A5,-,HIPS,HB,BLK,-,- | 1 | |

7. Electrical Parts List

7-1 CS29A5WT8X/XSG

| Loc. No. | Code No. | Description ; Specification | Remark |
|---|-------------|--|--------|
| ASSY PCB MAIN(OPT) | | | |
| * AA94-02574GASSY PCB MAIN(OPT);CS29A5WT8X/XSG,KS3A,U | | | |
| C407 | 2301-001338 | C-FILM,MPE-PPF:0.68nF,5%,1.6kV,TP,28x7x1 | |
| C820 | 2401-003076 | C-AL:3300uF,20%,50V,WP,BK,18x35.5mm | |
| C-BLOC | AA26-00069A | TRANS FBT:FUJ-29C002C(S),DREAM3,4,-,-,- | |
| CLAMP | AA65-30018A | CLAMP-WIRE:NYLON-66,-,-,D,ATL-600,DONG-A | |
| CLAMP | AA65-30104C | CLAMP-WIRE:NYLON 66,V2,NTR,W1 24,ALL MOD | |
| CLAMP | AA65-30105C | CLAMP-WIRE:ALL MODEL,NYLON 66,V2,NTR,5MM | |
| CLAMP | AA65-30109A | CLAMP-FBT:NYLON-66,V2,BLK,-,-,- | |
| CLAMP | AA65-30110A | CLAMP-WIRE:NYLON 66,V2,BLK,PAL TVI,ALL M | |
| D-COIL | AA27-20002Q | COIL-DEGAUSSING:-,29,14ohm,70T,L3300,E | |
| △ IC901 | AA09-00041A | IC-MCU:SDA555X-OTP,SDA555X-OTP,-,-,52 | |
| △ IC903 | 1203-001944 | IC-POSI.FIXED REG.:78RM33,TO-220,3P,-,PL | |
| JA701 | 3722-001333 | JACK-RCA:9P,3.2mm,NI,BLK,- | |
| L402 | AA27-00067A | COIL HORIZ. WIDTH:-,240uH,YL9N 12x20 C:6 | |
| L403 | AA27-00014A | COIL-LINEARLITY:-,27UH,YL-81 DR15X18,-,- | |
| L405 | AA27-00057A | COIL HORIZ. WIDTH:-,10mH,YL-9N 15x27.5 C | |
| L408 | AA27-00056A | COIL HORIZ. WIDTH:-,600uH,YL9N 15x27.5 C | |
| L808 | AA27-10002L | COIL-CHOKE:-,24UH,K,-,2A,-,24UH-K,10X10M | |
| △ T444S | AA26-00071A | TRANS FBT:FUJ-29C007(S),W32,2.9mH,-,-,- | |
| △ T801S | AA26-00046A | TRANS SWITCHING:-,-,AC90-260V,DC135/16 | |
| △ TU01S | AA40-00060A | TUNER-F/S:TCPS3001PD09D(S),-PAL-M(NTSC) | |
| TUBE | AA39-00108A | LEAD CONNECTOR-ASSY:-,-,-,-,-,-,-,GR | |
| | AA39-20010C | LEAD CONNECTOR-ASSY:-,-,YFH800-01,S,1P,600 | |
| | AA65-30010A | CLAMP-WIRE:NYLON-66,V0,NTR,-,-,- | |
| | AA65-30110A | CLAMP-WIRE:NYLON 66,V2,BLK,PAL TVI,ALL M | |
| | AA95-00561A | AASSY-DYNAMIC FOCUS:-,-,29A6,KS3A,PAL,-,- | |
| CH01 | 2401-000832 | C-AL:220uF,20%,25V,GP,TP,8x11.5,5 | |
| CH02 | 2401-002009 | C-AL:100uF,20%,16V,GP,TP,6.3x7.5 | |
| CH03 | 2401-001840 | C-AL:100uF,20%,16V,GP,TP,6.3x11.5 | |
| CH04 | 2401-000302 | C-AL:100uF,20%,25V,GP,TP,6.3x11.5 | |
| CH05 | 2401-001840 | C-AL:100uF,20%,16V,GP,TP,6.3x11.5 | |
| CH06 | 2401-000302 | C-AL:100uF,20%,25V,GP,TP,6.3x11.5 | |
| CH07 | 2306-000327 | C-FILM,MPPF:6.3nF,3%,1.6KV,TP,28.5x18x10 | |
| CH10 | 2303-000128 | C-FILM,PPF:12nF,5%,1.6KV,BK,31x21x14,25m | |
| CNH01 | AA39-20056C | LEAD CONNECTOR-ASSY:-,-,-,-,-,-,-,YB | |
| ICH01 | 1201-000191 | IC-OP AMP:4558,DIP,8P,300MIL,DUAL,20V/mv | |
| LH01 | AA26-00011A | TRANS-DUMMY:-,3.5MH,EE2834,-,BK | |
| LH02 | AA27-40003J | COIL-HORIZ WIDTH:-,3mH,ER14 20,P10.35,ST | |
| PCB | AA41-00152C | PCB-DOUBLE FOCUS:CW29A6VN8X/XEF,FR-1,1L, | |
| QH01 | 0502-000442 | TR-POWER:2SC4636RB,NPN,2W,TO-220,ST,10- | |
| QH02 | 0501-000283 | TR-SMALL SIGNAL:KSA539,PNP,400mW,TO-92,T | |
| QH03 | 0501-000389 | TR-SMALL SIGNAL:KSC815,NPN,400mW,TO-92,T | |
| QH04 | 0501-000283 | TR-SMALL SIGNAL:KSA539,PNP,400mW,TO-92,T | |
| RH01 | 2001-001165 | R-CARBON(S):560OHM,5%,1/2W,AA,TP,2.4X6.4M | |
| RH02 | 2001-000290 | R-CARBON:10KOHM,5%,1/8W,AA,TP,1.8X3.2MM | |
| RH03 | 2001-000290 | R-CARBON:10KOHM,5%,1/8W,AA,TP,1.8X3.2MM | |
| RH04 | 2001-001144 | R-CARBON(S):4.7KOHM,5%,1/2W,AA,TP,2.4X6.4 | |
| RH05 | 2001-001108 | R-CARBON(S):22KOHM,5%,1/2W,AA,TP,2.4X6.4 | |
| RH06 | 2001-000515 | R-CARBON:2200HM,5%,1/8W,AA,TP,1.8X3.2MM | |
| RH07 | 2001-000221 | R-CARBON:1.2KOHM,5%,1/8W,AA,TP,1.8X3.2M | |
| RH08 | 2001-000812 | R-CARBON:5.6KOHM,5%,1/8W,AA,TP,1.8X3.2M | |
| RH09 | 2001-000008 | R-CARBON:15KOHM,5%,1/8W,AA,TP,1.8X3.2MM | |
| RH10 | 2001-000331 | R-CARBON:12KOHM,5%,1/8W,AA,TP,1.8X3.2MM | |
| RH11 | 2001-001107 | R-CARBON(S):220ohm,5%,1/2W,AA,TP,2.4x6.4 | |
| RH12 | 2001-000290 | R-CARBON:10KOHM,5%,1/8W,AA,TP,1.8X3.2MM | |
| RH13 | 2001-001139 | R-CARBON(S):39KOHM,5%,1/2W,AA,TP,2.4X6.4 | |
| RH14 | 2001-000290 | R-CARBON:10KOHM,5%,1/8W,AA,TP,1.8X3.2MM | |
| RH15 | 2001-000290 | R-CARBON:10KOHM,5%,1/8W,AA,TP,1.8X3.2MM | |
| RH16 | 2001-001078 | R-CARBON(S):15KOHM,5%,1/2W,AA,TP,2.4X6.4 | |
| RH17 | 2001-001144 | R-CARBON(S):4.7KOHM,5%,1/2W,AA,TP,2.4X6.4 | |
| RH18 | 2001-001163 | R-CARBON(S):560OHM,5%,1/2W,AA,TP,2.4X6.4 | |
| RH19 | 2001-000109 | R-CARBON(S):470OHM,5%,1/2W,AA,TP,2.4X6.4 | |

| Loc. No. | Code No. | Description ; Specification | Remark |
|----------|-------------|--|--------|
| RH20 | 2003-002193 | R-METAL OXIDE(S):33Kohm,5%,2W,AG,TP,3.9X | |
| RH21 | 2003-002193 | R-METAL OXIDE(S):33Kohm,5%,2W,AG,TP,3.9X | |
| RH22 | 2003-002193 | R-METAL OXIDE(S):33Kohm,5%,2W,AG,TP,3.9X | |
| RH23 | 2001-001055 | R-CARBON(S):1.8KOHM,5%,1/2W,AA,TP,2.4X6. | |
| RH28 | 2008-001113 | R-FUSIBLE(S):0.22ohm,10%,2W,AG,TP,3.9x12 | |
| WIRE1 | AA39-20010A | LEAD CONNECTOR-ASSY:-,-,YFH800-01,S,1P,200 | |
| WIRE3 | AA39-20061C | LEAD CONNECTOR-ASSY:-,-,YFH800-03,S,3P,200 | |
| | AA95-00683A | AASSY-PCB,VIDEO S/W:-,-,29A6,KS3A,PAL,-,- | |
| CNS01 | 3711-002704 | CONNECTOR-HEADER:NOWALL,6P,1R,2.5mm,ANGL | |
| CNS02 | 3711-002706 | CONNECTOR-HEADER:NOWALL,8P,1R,2.5mm,ANGL | |
| CS01 | 2305-000412 | C-FILM,MPEF:470nF,5%,63V,TP,-,5mm | |
| CS02 | 2305-000412 | C-FILM,MPEF:470nF,5%,63V,TP,-,5mm | |
| CS03 | 2305-000412 | C-FILM,MPEF:470nF,5%,63V,TP,-,5mm | |
| CS04 | 2305-000412 | C-FILM,MPEF:470nF,5%,63V,TP,-,5mm | |
| CS05 | 2305-000412 | C-FILM,MPEF:470nF,5%,63V,TP,-,5mm | |
| CS06 | 2305-000412 | C-FILM,MPEF:470nF,5%,63V,TP,-,5mm | |
| CS07 | 2401-002009 | C-AL:100uF,20%,16V,GP,TP,6.3x7.5 | |
| CS08 | 2305-000665 | C-FILM,MPEF:100nF,5%,63V,TP,7.5x4.0x5.0m | |
| △ ICS01 | 1001-001114 | IC-VIDEO SWITCH:TEA6425,VIDEO SWITCH ,DI | |
| LS01 | 2701-000114 | INDUCTOR-AXIAL:10uH,10%,2.5x3.4mm | |
| PCB | AA41-00153D | PCB-VIDEO SWITCH:CS29A6,FR-1,1L,D,1.6T,2 | |
| OS01 | 0501-000389 | TR-SMALL SIGNAL:KSC815,NPN,400mW,TO-92,T | |
| OS02 | 0501-000389 | TR-SMALL SIGNAL:KSC815,NPN,400mW,TO-92,T | |
| OS03 | 0501-000389 | TR-SMALL SIGNAL:KSC815,NPN,400mW,TO-92,T | |
| RS01 | 2001-000281 | R-CARBON:100OHM,5%,1/8W,AA,TP,1.8X3.2MM | |
| RS02 | 2001-000734 | R-CARBON:4.7KOHM,5%,1/8W,AA,TP,1.8X3.2M | |
| RS03 | 2001-000429 | R-CARBON:1KOHM,5%,1/8W,AA,TP,1.8X3.2MM | |
| RS04 | 2001-000734 | R-CARBON:4.7KOHM,5%,1/8W,AA,TP,1.8X3.2M | |
| RS05 | 2001-000429 | R-CARBON:1KOHM,5%,1/8W,AA,TP,1.8X3.2MM | |
| RS06 | 2001-000734 | R-CARBON:4.7KOHM,5%,1/8W,AA,TP,1.8X3.2M | |
| RS07 | 2001-000429 | R-CARBON:1KOHM,5%,1/8W,AA,TP,1.8X3.2MM | |
| RS10 | 2001-000429 | R-CARBON:1KOHM,5%,1/8W,AA,TP,1.8X3.2MM | |
| RS11 | 2001-000429 | R-CARBON:1KOHM,5%,1/8W,AA,TP,1.8X3.2MM | |
| | AA95-00700A | AASSY PCB CRT:-,KS3A,29A6,-,PAL | |
| 1P1 | AA39-20010D | LEAD CONNECTOR-ASSY:-,-,YFH800-01,S,1P,400 | |
| 1P2 | AA39-20010D | LEAD CONNECTOR-ASSY:-,-,YFH800-01,S,1P,400 | |
| C405 | 2306-000330 | C-FILM,MPPF:7.7nF,3%,1.6KV,TP,28.5x18.5x | |
| C406 | 2306-000330 | C-FILM,MPPF:7.7nF,3%,1.6KV,TP,28.5x18.5x | |
| C423 | 2301-001192 | C-FILM,MPPF:820nF,5%,400V,TP,29x18.5x25 | |
| C426 | 2306-000204 | C-FILM,MPPF:430nF,5%,400V,TP,26x20.5x12 | |
| C501 | 2201-000247 | C-CERAMIC,DISC:0.015nF,5%,50V,NPO,TP,5x3 | |
| C502 | 2305-000704 | C-FILM,MPEF:100nF,5%,250V,TP,16.5x10.3x5 | |
| C503 | 2201-000599 | C-CERAMIC,DISC:0.56nF,10%,500V,Y5P,TP,5 | |
| C505 | 2305-000704 | C-FILM,MPEF:100nF,5%,250V,TP,16.5x10.3x5 | |
| C506 | 2201-000599 | C-CERAMIC,DISC:0.56nF,10%,500V,Y5P,TP,5 | |
| C507 | 2201-000247 | C-CERAMIC,DISC:0.015nF,5%,50V,NPO,TP,5x3 | |
| C508 | 2305-000704 | C-FILM,MPEF:100nF,5%,250V,TP,16.5x10.3x5 | |
| C509 | 2201-000599 | C-CERAMIC,DISC:0.56nF,10%,500V,Y5P,TP,5 | |
| C510 | 2401-001563 | C-AL:47uF,20%,400V,GP,TP,16x25.7.5 | |
| C511 | 2401-001232 | C-AL:4.7uF,20%,250V,GP,TP,10x12.5.5 | |
| C512 | 2401-000914 | C-AL:22uF,20%,16V,GP,TP,5x11.5 | |
| C513 | 2201-002063 | C-CERAMIC,DISC:10nF,+80-20%,3KV,Y5V,TP,1 | |
| C514 | 2401-000430 | C-AL:10uF,20%,250V,GP,TP,10x16mm,5m | |
| C515 | 2401-000914 | C-AL:22uF,20%,16V,GP,TP,5x11.5 | |
| C516 | 2301-000192 | C-FILM,PEF:1nF,5%,50V,TP,5.3x10mm,5mm | |
| C518 | 2301-000224 | C-FILM,PEF:22nF,5%,50V,TP,7.4x3.9x13mm,5 | |
| C519 | 2301-000224 | C-FILM,PEF:22nF,5%,50V,TP,7.4x3.9x13mm,5 | |
| C520 | 2301-000224 | C-FILM,PEF:22nF,5%,50V,TP,7.4x3.9x13mm,5 | |
| C521 | 2301-000224 | C-FILM,PEF:22nF,5%,50V,TP,7.4x3.9x13mm,5 | |
| C522 | 2301-000224 | C-FILM,PEF:22nF,5%,50V,TP,7.4x3.9x13mm,5 | |
| C523 | 2301-000224 | C-FILM,PEF:22nF,5%,50V,TP,7.4x3.9x13mm,5 | |
| C526 | 2401-000914 | C-AL:22uF,20%,16V,GP,TP,5x11.5 | |
| C815 | 2401-003026 | C-AL:330uF,20%,200V,GP,ST,22x35,10 | |
| CF01 | 2201-000179 | C-CERAMIC,DISC:10nF,10%,50V,Y5V,TP,6.5x3 | |
| CF02 | 2301-000192 | C-FILM,PEF:1nF,5%,50V,TP,5.3x10mm,5mm | |

Electrical Parts List

| Loc. No. | Code No. | Description ; Specification | Remark | Loc. No. | Code No. | Description ; Specification | Remark |
|----------|-------------|--|--------|----------|-------------|--|--------|
| CF03 | 2201-000376 | C-CERAMIC,DISC:0.22nF,5%,50V,SL,TP,6.3x3 | | Q504 | 0501-000283 | TR-SMALL SIGNAL:KSA539,PNP,400mW,TO-92,T | |
| CF04 | 2201-000653 | C-CERAMIC,DISC:0.068nF,5%,50V,SL,TP,5x3, | | QF01 | 0501-000389 | TR-SMALL SIGNAL:KSC815,NPN,400mW,TO-92,T | |
| CF05 | 2301-000261 | C-FILM,PEF:4.7nF,5%,100V,TP,10.5x12.5x6. | | QF02 | 0501-000389 | TR-SMALL SIGNAL:KSC815,NPN,400mW,TO-92,T | |
| CF06 | 2201-000516 | C-CERAMIC,DISC:4.7nF,+100-0%,500V,Y5U,TP | | QF03 | 0501-000369 | TR-SMALL SIGNAL:KSC2331-Y,NPN,1W,TO-92L, | |
| CF07 | 2305-000704 | C-FILM,MPEF:100nF,5%,250V,TP,16.5x10.3x5 | | QF04 | 0502-000153 | TR-POWER:2SC2344-D,NPN,1.2W,TO-220,-.60 | H/SINK |
| CF08 | 2201-000604 | C-CERAMIC,DISC:0.056nF,+100-0%,500V,SL,T | | QF05 | 0502-000131 | TR-POWER:2SA1011-D,P,NP,1.2W,TO-220,-.60 | H/SINK |
| CF10 | 2401-001840 | C-AL:100uF,20%,16V,GP,TP,6.3x11.5 | | QG01 | 0501-000283 | TR-SMALL SIGNAL:KSA539,PNP,400mW,TO-92,T | |
| CF11 | 2401-000927 | C-AL:22uF,20%,250V,GP,TP,13x20.5 | | QG02 | 0502-000244 | TR-POWER:KSA940,PNP,1.5W,TO-220,-.40-14 | |
| CF12 | 2401-001840 | C-AL:100uF,20%,16V,GP,TP,6.3x11.5 | | QG03 | 0502-001007 | TR-POWER:KSC2073-H2,NPN,25W,TO-220,ST,6 | |
| CF14 | 2401-000832 | C-AL:220uF,20%,25V,GP,TP,8x11.5,5,5 | | R501 | 2001-000429 | R-CARBON:1KOHM,5%,1/8W,AA,TP,1.8X3.2MM | |
| CG01 | 2401-000832 | C-AL:220uF,20%,25V,GP,TP,8x11.5,5,5 | | R502 | 2001-001093 | R-CARBON(S):2.2KOHM,5%,1/2W,AA,TP,2.4X6. | |
| CG02 | 2305-000149 | C-FILM,MPEF:100nF,5%,100V,TP,12x12.5x6.5 | | R503 | 2001-000085 | R-CARBON(S):100KOHM,5%,1/2W,AA,TP,2.4X6. | |
| CG03 | 2401-000493 | C-AL:10uF,20%,50V,LZ,TP,5x11mm,5mm | | R504 | 2001-000515 | R-CARBON:220OHM,5%,1/8W,AA,TP,1.8X3.2MM | |
| CG04 | 2401-000493 | C-AL:220uF,20%,25V,GP,TP,8x11.5,5,5 | | R505 | 2002-001008 | R-COMPOSITION:1.8Kohm,10%,1/2W,AA,TP,3.7 | |
| CN501 | 3711-002641 | CONNECTOR-HEADER:BOX,10P,1R,2.54mm,STRAI | | R506 | 2001-000429 | R-CARBON:1KOHM,5%,1/8W,AA,TP,1.8X3.2MM | |
| CN501A | 3711-002641 | CONNECTOR-HEADER:BOX,10P,1R,2.54mm,STRAI | | R507 | 2001-001093 | R-CARBON(S):2.2KOHM,5%,1/2W,AA,TP,2.4X6. | |
| CN501E | AA39-20025F | LEAD CONNECTOR-ASSY:-.67096-010,S,10P50 | | R508 | 2001-000085 | R-CARBON(S):100KOHM,5%,1/2W,AA,TP,2.4X6. | |
| CN502A | 3711-002646 | CONNECTOR-HEADER:BOX,7P,1R,2.5mm,STRAIGH | | R509 | 2001-000515 | R-CARBON:220OHM,5%,1/8W,AA,TP,1.8X3.2MM | |
| CN502E | AA39-20029K | LEAD CONNECTOR-ASSY:-.67096-007,S,7P,400 | | R510 | 2002-001008 | R-COMPOSITION:1.8Kohm,10%,1/2W,AA,TP,3.7 | |
| CN902 | 3711-003043 | CONNECTOR-HEADER:BOX,4P,1R,2.5mm,STRAIGH | | R511 | 2001-000429 | R-CARBON:1KOHM,5%,1/8W,AA,TP,1.8X3.2MM | |
| CNF01 | 3711-002642 | CONNECTOR-HEADER:BOX,3P,1R,2.5MM,STRAIGH | | R512 | 2001-001093 | R-CARBON(S):2.2KOHM,5%,1/2W,AA,TP,2.4X6. | |
| CNG01 | 3711-002643 | CONNECTOR-HEADER:BOX,4P,1R,2.5MM,STRAIGH | | R513 | 2001-000085 | R-CARBON(S):100KOHM,5%,1/2W,AA,TP,2.4X6. | |
| CX801S | 2306-000318 | C-FILM,MPPF:220nF,20%,250V,TP,-.22.5mm | | R515 | 2002-001008 | R-COMPOSITION:1.8Kohm,10%,1/2W,AA,TP,3.7 | |
| XY802S | 2201-002002 | C-CERAMIC,DISC:4.7nF,20%,400V,Y5U,TP,16x | | R517 | 2001-001062 | R-CARBON(S):10MOHM,5%,1/2W,AA,TP,2.4X6.4 | |
| D502 | 0402-000132 | DIODE-RECTIFIER:1N4004,400V,1A,DO-41,TP | | R518 | 2003-002171 | R-METAL OXIDE(S):150ohm,5%,2W,AG,TP,3.9x | |
| D507 | 0402-001105 | DIODE-RECTIFIER:ERB43-04SV1,400V,1.0A,- | | R519 | 2002-001009 | R-COMPOSITION:2.7Kohm,10%,1/2W,AA,TP,3.7 | |
| D508 | 0402-001105 | DIODE-RECTIFIER:ERB43-04SV1,400V,1.0A,- | | R521 | 2001-000522 | R-CARBON:22KOHM,5%,1/8W,AA,TP,1.8X3.2MM | |
| D509 | 0402-001105 | DIODE-RECTIFIER:ERB43-04SV1,400V,1.0A,- | | R522 | 2001-000449 | R-CARBON:2.2KOHM,5%,1/8W,AA,TP,1.8X3.2M | |
| D510 | 0402-001105 | DIODE-RECTIFIER:ERB43-04SV1,400V,1.0A,- | | R523 | 2008-000255 | R-FUSIBLE(S):1.5ohm,5%,1W,AA,TP,3.9x10mm | |
| D511 | 0402-001105 | DIODE-RECTIFIER:ERB43-04SV1,400V,1.0A,- | | R526 | 2004-000500 | R-METAL:2.7Kohm,1%,1/8W,AA,TP,1.8x3.2m | |
| D512 | 0402-001105 | DIODE-RECTIFIER:ERB43-04SV1,400V,1.0A,- | | R527 | 2004-000433 | R-METAL:1Kohm,1%,1/8W,AA,TP,1.8x3.2mm | |
| △D801S | 0402-000549 | DIODE-BRIDGE:RBV606,600V,6A,-.BK | H/SINK | R539 | 2001-000515 | R-CARBON:220OHM,5%,1/8W,AA,TP,1.8X3.2MM | |
| DF01 | 0401-000005 | DIODE-SWITCHING:1N4148,100V,200MA,DO-35, | | R542 | 2001-000429 | R-CARBON:1KOHM,5%,1/8W,AA,TP,1.8X3.2MM | |
| DF02 | 0402-001105 | DIODE-RECTIFIER:ERB43-04SV1,400V,1.0A,- | | R543 | 2001-000429 | R-CARBON:1KOHM,5%,1/8W,AA,TP,1.8X3.2MM | |
| DF03 | 0402-001105 | DIODE-RECTIFIER:ERB43-04SV1,400V,1.0A,- | | R544 | 2001-000429 | R-CARBON:1KOHM,5%,1/8W,AA,TP,1.8X3.2MM | |
| DF04 | 0401-000005 | DIODE-SWITCHING:1N4148,100V,200MA,DO-35, | | R546 | 2001-000429 | R-CARBON:1KOHM,5%,1/8W,AA,TP,1.8X3.2MM | |
| DG01 | 0401-000005 | DIODE-SWITCHING:1N4148,100V,200MA,DO-35, | | RF02 | 2001-000734 | R-CARBON:4.7KOHM,5%,1/8W,AA,TP,1.8X3.2M | |
| DZ503 | 0403-001211 | DIODE-ZENER:MTZJ12B,11.44-12.03V,500MW,D | | RF03 | 2001-000362 | R-CARBON:150OHM,5%,1/8W,AA,TP,1.8X3.2MM | |
| DZ504 | 0403-001325 | DIODE-ZENER:MTZJ15C,14.35-15.09V,500mW,D | | RF04 | 2001-000449 | R-CARBON:2.2KOHM,5%,1/8W,AA,TP,1.8X3.2M | |
| DZ505 | 0403-001325 | DIODE-ZENER:MTZJ15C,14.35-15.09V,500mW,D | | RF05 | 2001-000522 | R-CARBON:22KOHM,5%,1/8W,AA,TP,1.8X3.2MM | |
| DZF01 | 0403-001039 | DIODE-ZENER:MA2560,56V,52-60V,1W,DO-41,T | | RF06 | 2001-000989 | R-CARBON:820KOHM,5%,1/8W,AA,TP,1.8X3.2M | |
| DZF02 | 0403-001039 | DIODE-ZENER:MA2560,56V,52-60V,1W,DO-41,T | | RF07 | 2001-000904 | R-CARBON:620OHM,5%,1/8W,AA,TP,1.8X3.2MM | |
| △FP801S | 3601-000297 | FUSE-CARTRIDGE:250V,5A,TIME-LAG,GLASS,5. | | RF08 | 2001-000313 | R-CARBON:11KOHM,5%,1/8W,AA,TP,1.8X3.2MM | |
| △HC401 | 0402-001296 | DIODE-RECTIFIER:FMP-3FU,1.5KV,5A,TO-3PF, | H/SINK | RF09 | 2001-000221 | R-CARBON:1.2KOHM,5%,1/8W,AA,TP,1.8X3.2M | |
| △HC401 | 0502-001136 | TR-POWER:KSD5703,NPN,70W,TO-3PF,ST,8- | H/SINK | RF10 | 2001-000241 | R-CARBON:1.5KOHM,5%,1/8W,AA,TP,1.8X3.2M | |
| △HC801 | 0402-000233 | DIODE-RECTIFIER:FML-G12S,200V,5A,- | H/SINK | RF11 | 2001-000241 | R-CARBON:1.5KOHM,5%,1/8W,AA,TP,1.8X3.2M | |
| △HC801 | 0402-001230 | DIODE-RECTIFIER:FMG-G2CS,1000V,3A,TO-220 | H/SINK | RF12 | 2001-000221 | R-CARBON:1.2KOHM,5%,1/8W,AA,TP,1.8X3.2M | |
| △HC801 | 1203-001006 | IC-VOLTAGE REGULATOR:78R05,TO-220F,4P,- | H/SINK | RF13 | 2001-001179 | R-CARBON(S):68KOHM,5%,1/2W,AA,TP,2.4X6.4 | |
| △IC201S | 1204-001633 | IC-VIDEO PROCESS:VDP3112B-C3,DIP,64P,709 | | RF14 | 2001-001071 | R-CARBON(S):12KOHM,5%,1/2W,AA,TP,2.4X6.4 | |
| △IC301 | 1204-000517 | IC-VERTICAL DEF:LA7845,SIP,7P,-,PLASTIC | H/SINK | RF15 | 2001-001100 | R-CARBON(S):2.70HM,5%,1/2W,AA,TP,2.4X6.4 | |
| △IC401 | 1202-000103 | IC-VOLTAGE COMP:393,DIP,8P,300MIL,DUAL, | | RF16 | 2001-001179 | R-CARBON(S):68KOHM,5%,1/2W,AA,TP,2.4X6.4 | |
| △IC501 | 1201-001131 | IC-VIDEO AMP:6111,SIP,9P,-,SINGLE,-,PLAS | H/SINK | RF17 | 2001-001100 | R-CARBON(S):2.70HM,5%,1/2W,AA,TP,2.4X6.4 | |
| △IC502 | 1201-001131 | IC-VIDEO AMP:6111,SIP,9P,-,SINGLE,-,PLAS | H/SINK | RF18 | 2003-000458 | R-METAL OXIDE(S):100ohm,5%,2W,AF,TP,4x12 | |
| △IC503 | 1201-001131 | IC-VIDEO AMP:6111,SIP,9P,-,SINGLE,-,PLAS | H/SINK | RF19 | 2003-001023 | R-METAL OXIDE(S):120ohm,5%,2W,AF,TP,3.9x | |
| △IC601 | 1204-001661 | IC-SOUND PROCESSOR:MSP3411G-A2,DIP,52P,- | | RF20 | 2003-002214 | R-METAL OXIDE(S):680ohm,5%,2W,AG,TP,3.9x | |
| △IC602 | 1201-001064 | IC-POWER AMP:7297,ZIP,15P,-,DUAL,32DB,PL | H/SINK | RF21 | 2003-002214 | R-METAL OXIDE(S):680ohm,5%,2W,AG,TP,3.9x | |
| △IC801S | 1203-001482 | IC-PWM CONTROLLER:3S1265R,TO-3P,5P,210,P | H/SINK | RF22 | 2003-002214 | R-METAL OXIDE(S):680ohm,5%,2W,AG,TP,3.9x | |
| △IC803 | 1203-001697 | IC-VOLTAGE REGULATOR:78R08,TO-220,4P,-,P | | RF23 | 2003-000746 | R-METAL OXIDE(S):56ohm,5%,2W,AF,TP,4x12m | |
| △IC804 | 1203-000284 | IC-POSI.FIXED REG.:7806,TO-220,3P,-,PLAS | H/SINK | RF24 | 2003-000746 | R-METAL OXIDE(S):56ohm,5%,2W,AF,TP,4x12m | |
| △IC902 | 1103-001171 | IC-EEPROM:24L161,16KBIT,DIP,8P,300MIL,10 | | RF25 | 2003-002009 | R-METAL OXIDE(S):390ohm,5%,2W,AF,TP,3.9x | |
| △ICG01 | 1201-000191 | IC-OP AMP:4558,DIP,8P,300MIL,DUAL,20V/mV | | RG01 | 2004-001397 | R-METAL(S):4.7Kohm,1%,1/2W,AA,TP,2.4x6.4 | |
| JA501 | 3722-001503 | JACK-PIN:1P,1PI,NI,RED,SCR-JACK | | RG02 | 2004-002022 | R-METAL(S):51Kohm,1%,1/2W,AA,TP,2.4x6.4m | |
| L501 | 2701-000178 | INDUCTOR-AXIAL:33uH,10%,3x7mm | | RG03 | 2004-001987 | R-METAL(S):4.3Kohm,1%,1/2W,AA,TP,2.4x6.4 | |
| L503 | 2901-000297 | FILTER-EMI ON BOARD:-.3A,-,3.5x5,TP,- | | RG04 | 2004-002022 | R-METAL(S):51Kohm,1%,1/2W,AA,TP,2.4x6.4m | |
| L504 | 2901-000297 | FILTER-EMI ON BOARD:-.3A,-,3.5x5,TP,- | | RG05 | 2001-001163 | R-CARBON(S):560OHM,5%,1/2W,AA,TP,2.4X6.4 | |
| L505 | 3301-000287 | CORE-FERRITE BEAD:AA,3.5x1.0x6.0mm,1500, | | RG06 | 2001-001100 | R-CARBON(S):2.70HM,5%,1/2W,AA,TP,2.4X6.4 | |
| LF01 | 3301-000287 | CORE-FERRITE BEAD:AA,3.5x1.0x6.0mm,1500, | | RG07 | 2001-001100 | R-CARBON(S):2.70HM,5%,1/2W,AA,TP,2.4X6.4 | |
| LF02 | 2701-000112 | INDUCTOR-AXIAL:100uH,10%,3x7mm | | RG08 | 2001-001163 | R-CARBON(S):560OHM,5%,1/2W,AA,TP,2.4X6.4 | |
| LF04 | 2901-000297 | FILTER-EMI ON BOARD:-.3A,-,3.5x5,TP,- | | RL801S | 3501-001040 | RELAY-POWER:12VDC,500mW,10A,1FormA,15mS, | |
| LF05 | 2901-000297 | FILTER-EMI ON BOARD:-.3A,-,3.5x5,TP,- | | SG501 | AA27-00084A | COIL:S-23,-,-,-,-,-,S-23,5000Mohm | |
| △LX801S | AA29-00012A | FILTER LINE NOISE:CS29A6PF8X/HAC,-.0.1MA | | SG502 | AA27-00084A | COIL:S-23,-,-,-,-,-,S-23,5000Mohm | |
| △NT802S | 1404-001045 | THERMISTOR-NTC:4.70HM,15%,2900K,35.0MW,T | | SG503 | AA27-00084A | COIL:S-23,-,-,-,-,-,S-23,5000Mohm | |
| △PC801S | 0604-001038 | PHOTO-COUPLER:TR,130-260%,200mW,DIP,4,ST | | SG504 | AA27-00084A | COIL:S-23,-,-,-,-,-,S-23,5000Mohm | |
| PCB | AA41-00210C | PCB-CRT:CS29A6,FR-1,1L,C,1.6T,330x245, | | △T401 | AA26-50001L | TRANS-HORIZ.DRIVE:-.29mH,133uH,4.5uH,EI2 | |
| △PT801S | 1404-000002 | THERMISTOR-PTC:9ohm,20%,-,TR,RECT,- | | △VA999 | 3704-001032 | SOCKET-CRT:8P,29P1,35,5PI,AU30U | |
| Q502 | 0501-000283 | TR-SMALL SIGNAL:KSA539,PNP,400mW,TO-92,T | | | | | |
| Q503 | 0501-000283 | TR-SMALL SIGNAL:KSA539,PNP,400mW,TO-92,T | | | | | |

| Loc. No. | Code No. | Description ; Specification | Remark | Loc. No. | Code No. | Description ; Specification | Remark |
|----------|-------------|--|--------|----------|-------------|--|--------|
| | AA99-10179Y | ASSY-PCB MAIN,AUTO; AA99-30184M ,V | | | | | |
| D201 | 0401-000005 | DIODE-SWITCHING;1N4148,100V,200MA,DO-35, | | Q904 | 0501-000389 | TR-SMALL SIGNAL;KSC815,NPN,400mW,TO-92,T | |
| D202 | 0401-000005 | DIODE-SWITCHING;1N4148,100V,200MA,DO-35, | | Q905 | 0501-000389 | TR-SMALL SIGNAL;KSC815,NPN,400mW,TO-92,T | |
| D207 | 0401-000005 | DIODE-SWITCHING;1N4148,100V,200MA,DO-35, | | Q906 | 0501-000389 | TR-SMALL SIGNAL;KSC815,NPN,400mW,TO-92,T | |
| D208 | 0401-000005 | DIODE-SWITCHING;1N4148,100V,200MA,DO-35, | | Q908 | 0501-000389 | TR-SMALL SIGNAL;KSC815,NPN,400mW,TO-92,T | |
| D209 | 0401-000005 | DIODE-SWITCHING;1N4148,100V,200MA,DO-35, | | Q402 | 0502-001007 | TR-POWER;KSC2073-H2,NPN,25W,TO-220,ST,6 | |
| D210 | 0401-000005 | DIODE-SWITCHING;1N4148,100V,200MA,DO-35, | | Q909 | 0505-000109 | FET-SILICON;2N7000,N,60V,200mA,5ohm,400m | |
| D211 | 0401-000005 | DIODE-SWITCHING;1N4148,100V,200MA,DO-35, | | Q910 | 0505-000109 | FET-SILICON;2N7000,N,60V,200mA,5ohm,400m | |
| D601 | 0401-000005 | DIODE-SWITCHING;1N4148,100V,200MA,DO-35, | | Q404 | 0505-000156 | FET-SILICON;IRF620,N,200V,5A,0.8ohm,50W, | |
| D602 | 0401-000005 | DIODE-SWITCHING;1N4148,100V,200MA,DO-35, | | DZ805 | 1203-001217 | IC-POSI.ADJUST REG.;431,TO-92,3P4.58MIL | |
| D804 | 0401-000005 | DIODE-SWITCHING;1N4148,100V,200MA,DO-35, | | △ IC904 | 1203-001943 | IC-VOL. DETECTOR;7025,TO-92,3P,-,PLASTIC | |
| D906 | 0401-000005 | DIODE-SWITCHING;1N4148,100V,200MA,DO-35, | | △ VP801S | 1405-000187 | VARISTOR;750V,1250A,12.5x7mm,TP | |
| DZ402 | 0401-000005 | DIODE-SWITCHING;1N4148,100V,200MA,DO-35, | | △ VX801S | 1405-000187 | VARISTOR;750V,1250A,12.5x7mm,TP | |
| D909 | 0401-000005 | DIODE-SWITCHING;1N4148,100V,200MA,DO-35, | | R223 | 2001-000003 | R-CARBON;330ohm,5%,1/8W,AA,TP,1.8x3.2mm | |
| D412 | 0402-000010 | DIODE-RECTIFIER;RGP15G,400V,1.5A,DO-204A | | R248 | 2001-000003 | R-CARBON;330ohm,5%,1/8W,AA,TP,1.8x3.2mm | |
| D403 | 0402-000132 | DIODE-RECTIFIER;1N4004,400V,1A,DO-41,TP | | R249 | 2001-000003 | R-CARBON;330ohm,5%,1/8W,AA,TP,1.8x3.2mm | |
| D406 | 0402-000132 | DIODE-RECTIFIER;1N4004,400V,1A,DO-41,TP | | R250 | 2001-000003 | R-CARBON;330ohm,5%,1/8W,AA,TP,1.8x3.2mm | |
| D407 | 0402-000132 | DIODE-RECTIFIER;1N4004,400V,1A,DO-41,TP | | R911 | 2001-000003 | R-CARBON;330ohm,5%,1/8W,AA,TP,1.8x3.2mm | |
| D808 | 0402-000132 | DIODE-RECTIFIER;1N4004,400V,1A,DO-41,TP | | R303 | 2001-000016 | R-CARBON(S);10HM,5%,1/2W,AA,TP,2.4x6.4MM | |
| D810 | 0402-000132 | DIODE-RECTIFIER;1N4004,400V,1A,DO-41,TP | | R412 | 2001-000020 | R-CARBON(S);220HM,5%,1/2W,AA,TP,2.4x6.4M | |
| D811 | 0402-000132 | DIODE-RECTIFIER;1N4004,400V,1A,DO-41,TP | | R809 | 2001-000022 | R-CARBON(S);330HM,5%,1/2W,AA,TP,2.4x6.4M | |
| D907 | 0402-000132 | DIODE-RECTIFIER;1N4004,400V,1A,DO-41,TP | | R411 | 2001-000028 | R-CARBON(S);1000HM,5%,1/2W,AA,TP,2.4x6.4 | |
| D405 | 0402-000493 | DIODE-RECTIFIER;1R5GU41,400V,1.5A,DO-15L | | R825 | 2001-000066 | R-CARBON(S);10KOHM,5%,1/2W,AA,TP,2.4x6.4 | |
| D408 | 0402-000493 | DIODE-RECTIFIER;1R5GU41,400V,1.5A,DO-15L | | R228 | 2001-000117 | R-CARBON(S);680HM,5%,1/2W,AA,TP,2.4x6.4M | |
| D402 | 0402-000534 | DIODE-RECTIFIER;RG10V,400V,1.2A,DO-201,T | | R207 | 2001-000221 | R-CARBON;1.2KOHM,5%,1/8W,AA,TP,1.8X3.2M | |
| D413 | 0402-000537 | DIODE-RECTIFIER;RH1A,600V,0.6A,DO-204AC | | R213 | 2001-000232 | R-CARBON;1.3KOHM,5%,1/8W,AA,TP,1.8X3.2M | |
| D401 | 0402-000540 | DIODE-RECTIFIER;RU20A,600V,1.5A,-,TP | | R822 | 2001-000273 | R-CARBON;100KOHM,5%,1/8W,AA,TP,1.8X3.2M | |
| D404 | 0402-000540 | DIODE-RECTIFIER;RU20A,600V,1.5A,-,TP | | R824 | 2001-000273 | R-CARBON;100KOHM,5%,1/8W,AA,TP,1.8X3.2M | |
| D409 | 0402-000540 | DIODE-RECTIFIER;RU20A,600V,1.5A,-,TP | | J904 | 2001-000281 | R-CARBON;1000HM,5%,1/8W,AA,TP,1.8X3.2MM | |
| D301 | 0402-000546 | DIODE-RECTIFIER;TVR10G,400V,1.0A,DO-41,T | | R102 | 2001-000281 | R-CARBON;1000HM,5%,1/8W,AA,TP,1.8X3.2MM | |
| D411 | 0402-000546 | DIODE-RECTIFIER;TVR10G,400V,1.0A,DO-41,T | | R103 | 2001-000281 | R-CARBON;1000HM,5%,1/8W,AA,TP,1.8X3.2MM | |
| D803 | 0402-000546 | DIODE-RECTIFIER;TVR10G,400V,1.0A,DO-41,T | | R203 | 2001-000281 | R-CARBON;1000HM,5%,1/8W,AA,TP,1.8X3.2MM | |
| D816 | 0402-000546 | DIODE-RECTIFIER;TVR10G,400V,1.0A,DO-41,T | | R204 | 2001-000281 | R-CARBON;1000HM,5%,1/8W,AA,TP,1.8X3.2MM | |
| D801 | 0402-001111 | DIODE-RECTIFIER;1N5397GP,600V,1.5A,DO-20 | | R231 | 2001-000281 | R-CARBON;1000HM,5%,1/8W,AA,TP,1.8X3.2MM | |
| DZ201 | 0403-000508 | DIODE-ZENER;MTZJ5.6B,5.6V,5.45-5.73V,500 | | R232 | 2001-000281 | R-CARBON;1000HM,5%,1/8W,AA,TP,1.8X3.2MM | |
| DZ202 | 0403-000508 | DIODE-ZENER;MTZJ5.6B,5.6V,5.45-5.73V,500 | | R604 | 2001-000281 | R-CARBON;1000HM,5%,1/8W,AA,TP,1.8X3.2MM | |
| DZ601 | 0403-000508 | DIODE-ZENER;MTZJ5.6B,5.6V,5.45-5.73V,500 | | R605 | 2001-000281 | R-CARBON;1000HM,5%,1/8W,AA,TP,1.8X3.2MM | |
| DZ603 | 0403-000508 | DIODE-ZENER;MTZJ5.6B,5.6V,5.45-5.73V,500 | | R610 | 2001-000281 | R-CARBON;1000HM,5%,1/8W,AA,TP,1.8X3.2MM | |
| DZ802 | 0403-000508 | DIODE-ZENER;MTZJ5.6B,5.6V,5.45-5.73V,500 | | R611 | 2001-000281 | R-CARBON;1000HM,5%,1/8W,AA,TP,1.8X3.2MM | |
| DZ806 | 0403-000508 | DIODE-ZENER;MTZJ5.6B,5.6V,5.45-5.73V,500 | | R612 | 2001-000281 | R-CARBON;1000HM,5%,1/8W,AA,TP,1.8X3.2MM | |
| DZ902 | 0403-000508 | DIODE-ZENER;MTZJ5.6B,5.6V,5.45-5.73V,500 | | R613 | 2001-000281 | R-CARBON;1000HM,5%,1/8W,AA,TP,1.8X3.2MM | |
| DZ903 | 0403-000508 | DIODE-ZENER;MTZJ5.6B,5.6V,5.45-5.73V,500 | | R627 | 2001-000281 | R-CARBON;1000HM,5%,1/8W,AA,TP,1.8X3.2MM | |
| DZ904 | 0403-000508 | DIODE-ZENER;MTZJ5.6B,5.6V,5.45-5.73V,500 | | R628 | 2001-000281 | R-CARBON;1000HM,5%,1/8W,AA,TP,1.8X3.2MM | |
| DZ905 | 0403-000508 | DIODE-ZENER;MTZJ5.6B,5.6V,5.45-5.73V,500 | | R706 | 2001-000281 | R-CARBON;1000HM,5%,1/8W,AA,TP,1.8X3.2MM | |
| DZ906 | 0403-000508 | DIODE-ZENER;MTZJ5.6B,5.6V,5.45-5.73V,500 | | R707 | 2001-000281 | R-CARBON;1000HM,5%,1/8W,AA,TP,1.8X3.2MM | |
| DZ907 | 0403-000508 | DIODE-ZENER;MTZJ5.6B,5.6V,5.45-5.73V,500 | | R708 | 2001-000281 | R-CARBON;1000HM,5%,1/8W,AA,TP,1.8X3.2MM | |
| DZ602 | 0403-000720 | DIODE-ZENER;MTZJ9.1B,9.1V,8.57-9.01V,500 | | R723 | 2001-000281 | R-CARBON;1000HM,5%,1/8W,AA,TP,1.8X3.2MM | |
| DZ306 | 0403-000700 | DIODE-ZENER;TZP33A,33V,31-35V,1W,DO-41,T | | R907 | 2001-000281 | R-CARBON;1000HM,5%,1/8W,AA,TP,1.8X3.2MM | |
| DZ804 | 0403-000700 | DIODE-ZENER;TZP33A,33V,31-35V,1W,DO-41,T | | R909 | 2001-000281 | R-CARBON;1000HM,5%,1/8W,AA,TP,1.8X3.2MM | |
| DZ808 | 0403-000719 | DIODE-ZENER;MTZJ7.5B,7.5V,7.07-7.45V,500 | | R925 | 2001-000281 | R-CARBON;1000HM,5%,1/8W,AA,TP,1.8X3.2MM | |
| DZ803 | 0403-001167 | DIODE-ZENER;MTZJ30D,30V,29.02-30.51V,500 | | R940 | 2001-000281 | R-CARBON;1000HM,5%,1/8W,AA,TP,1.8X3.2MM | |
| DZ305 | 0403-001221 | DIODE-ZENER;UZ39BSB,35.36-37.19V,500mW,D | | R941 | 2001-000281 | R-CARBON;1000HM,5%,1/8W,AA,TP,1.8X3.2MM | |
| DZ203 | 0403-001321 | DIODE-ZENER;MTZJ6.8C,6.66-7.01V,500mW,D | | R942 | 2001-000281 | R-CARBON;1000HM,5%,1/8W,AA,TP,1.8X3.2MM | |
| DZ801 | 0403-001322 | DIODE-ZENER;MTZJ8.2B,7.78-8.19V,500mW,D | | R947 | 2001-000281 | R-CARBON;1000HM,5%,1/8W,AA,TP,1.8X3.2MM | |
| DZ401 | 0403-001325 | DIODE-ZENER;MTZJ15C,14.35-15.09V,500mW,D | | R948 | 2001-000281 | R-CARBON;1000HM,5%,1/8W,AA,TP,1.8X3.2MM | |
| DZ302 | 0403-001329 | DIODE-ZENER;MTZJ24B,22.61-23.77V,500mW,D | | R202 | 2001-000290 | R-CARBON;10KOHM,5%,1/8W,AA,TP,1.8X3.2MM | |
| DZ303 | 0403-001329 | DIODE-ZENER;MTZJ24B,22.61-23.77V,500mW,D | | R205 | 2001-000290 | R-CARBON;10KOHM,5%,1/8W,AA,TP,1.8X3.2MM | |
| DZ304 | 0403-001329 | DIODE-ZENER;MTZJ24B,22.61-23.77V,500mW,D | | R206 | 2001-000290 | R-CARBON;10KOHM,5%,1/8W,AA,TP,1.8X3.2MM | |
| D203 | 0404-000156 | DIODE-SCHOTTKY;RB441Q,10V,100mA,DO-34,TP | | R243 | 2001-000290 | R-CARBON;10KOHM,5%,1/8W,AA,TP,1.8X3.2MM | |
| D204 | 0404-000156 | DIODE-SCHOTTKY;RB441Q,10V,100mA,DO-34,TP | | R245 | 2001-000290 | R-CARBON;10KOHM,5%,1/8W,AA,TP,1.8X3.2MM | |
| D205 | 0404-000156 | DIODE-SCHOTTKY;RB441Q,10V,100mA,DO-34,TP | | R246 | 2001-000290 | R-CARBON;10KOHM,5%,1/8W,AA,TP,1.8X3.2MM | |
| D206 | 0404-000156 | DIODE-SCHOTTKY;RB441Q,10V,100mA,DO-34,TP | | R309 | 2001-000290 | R-CARBON;10KOHM,5%,1/8W,AA,TP,1.8X3.2MM | |
| D901 | 0404-000156 | DIODE-SCHOTTKY;RB441Q,10V,100mA,DO-34,TP | | R310 | 2001-000290 | R-CARBON;10KOHM,5%,1/8W,AA,TP,1.8X3.2MM | |
| D902 | 0404-000156 | DIODE-SCHOTTKY;RB441Q,10V,100mA,DO-34,TP | | R606 | 2001-000290 | R-CARBON;10KOHM,5%,1/8W,AA,TP,1.8X3.2MM | |
| D903 | 0404-000156 | DIODE-SCHOTTKY;RB441Q,10V,100mA,DO-34,TP | | R620 | 2001-000290 | R-CARBON;10KOHM,5%,1/8W,AA,TP,1.8X3.2MM | |
| D904 | 0404-000156 | DIODE-SCHOTTKY;RB441Q,10V,100mA,DO-34,TP | | R629 | 2001-000290 | R-CARBON;10KOHM,5%,1/8W,AA,TP,1.8X3.2MM | |
| D905 | 0404-000156 | DIODE-SCHOTTKY;RB441Q,10V,100mA,DO-34,TP | | R715 | 2001-000290 | R-CARBON;10KOHM,5%,1/8W,AA,TP,1.8X3.2MM | |
| Q802 | 0501-000369 | TR-SMALL SIGNAL;KSC2331-Y,NPN,1W,TO-92L | | R716 | 2001-000290 | R-CARBON;10KOHM,5%,1/8W,AA,TP,1.8X3.2MM | |
| Q201 | 0501-000389 | TR-SMALL SIGNAL;KSC815,NPN,400mW,TO-92,T | | R919 | 2001-000290 | R-CARBON;10KOHM,5%,1/8W,AA,TP,1.8X3.2MM | |
| Q202 | 0501-000389 | TR-SMALL SIGNAL;KSC815,NPN,400mW,TO-92,T | | R935 | 2001-000290 | R-CARBON;10KOHM,5%,1/8W,AA,TP,1.8X3.2MM | |
| Q203 | 0501-000389 | TR-SMALL SIGNAL;KSC815,NPN,400mW,TO-92,T | | R241 | 2001-000362 | R-CARBON;1500HM,5%,1/8W,AA,TP,1.8X3.2MM | |
| Q204 | 0501-000389 | TR-SMALL SIGNAL;KSC815,NPN,400mW,TO-92,T | | R208 | 2001-000405 | R-CARBON;1800HM,5%,1/8W,AA,TP,1.8X3.2MM | |
| Q601 | 0501-000389 | TR-SMALL SIGNAL;KSC815,NPN,400mW,TO-92,T | | R242 | 2001-000405 | R-CARBON;1800HM,5%,1/8W,AA,TP,1.8X3.2MM | |
| Q701 | 0501-000389 | TR-SMALL SIGNAL;KSC815,NPN,400mW,TO-92,T | | R214 | 2001-000411 | R-CARBON;18KOHM,5%,1/8W,AA,TP,1.8X3.2MM | |
| Q901 | 0501-000389 | TR-SMALL SIGNAL;KSC815,NPN,400mW,TO-92,T | | R209 | 2001-000429 | R-CARBON;1KOHM,5%,1/8W,AA,TP,1.8X3.2MM | |
| Q902 | 0501-000389 | TR-SMALL SIGNAL;KSC815,NPN,400mW,TO-92,T | | R216 | 2001-000429 | R-CARBON;1KOHM,5%,1/8W,AA,TP,1.8X3.2MM | |
| Q903 | 0501-000389 | TR-SMALL SIGNAL;KSC815,NPN,400mW,TO-92,T | | R234 | 2001-000429 | R-CARBON;1KOHM,5%,1/8W,AA,TP,1.8X3.2MM | |
| | | | | R235 | 2001-000429 | R-CARBON;1KOHM,5%,1/8W,AA,TP,1.8X3.2MM | |

Electrical Parts List

| Loc. No. | Code No. | Description ; Specification | Remark | Loc. No. | Code No. | Description ; Specification | Remark |
|----------|-------------|--|--------|----------|-------------|--|--------|
| R252 | 2001-000429 | R-CARBON:1KOHM,5%,1/8W,AA,TP,1.8X3.2MM | | R404 | 2001-001038 | R-CARBON(S):0.560HM,5%,1/2W,AA,TP,2.4X6.4M | |
| R601 | 2001-000429 | R-CARBON:1KOHM,5%,1/8W,AA,TP,1.8X3.2MM | | R808 | 2001-001079 | R-CARBON(S):150HM,5%,1/2W,AA,TP,2.4X6.4M | |
| R602 | 2001-000429 | R-CARBON:1KOHM,5%,1/8W,AA,TP,1.8X3.2MM | | R418 | 2001-001088 | R-CARBON(S):1KOHM,5%,1/2W,AA,TP,2.4X6.4M | |
| R603 | 2001-000429 | R-CARBON:1KOHM,5%,1/8W,AA,TP,1.8X3.2MM | | △RR430S | 2001-001088 | R-CARBON(S):1KOHM,5%,1/2W,AA,TP,2.4X6.4M | |
| R607 | 2001-000429 | R-CARBON:1KOHM,5%,1/8W,AA,TP,1.8X3.2MM | | R421 | 2001-001093 | R-CARBON(S):2.2KOHM,5%,1/2W,AA,TP,2.4X6.4M | |
| R608 | 2001-000429 | R-CARBON:1KOHM,5%,1/8W,AA,TP,1.8X3.2MM | | R820 | 2001-001096 | R-CARBON(S):2.20HM,5%,1/2W,AA,TP,2.4X6.4M | |
| R726 | 2001-000429 | R-CARBON:1KOHM,5%,1/8W,AA,TP,1.8X3.2MM | | R818 | 2001-001113 | R-CARBON(S):270KOHM,5%,1/2W,AA,TP,2.4X6.4M | |
| R816 | 2001-000429 | R-CARBON:1KOHM,5%,1/8W,AA,TP,1.8X3.2MM | | R432 | 2001-001122 | R-CARBON(S):3.9KOHM,5%,1/2W,AA,TP,2.4X6.4M | |
| R817 | 2001-000429 | R-CARBON:1KOHM,5%,1/8W,AA,TP,1.8X3.2MM | | R429 | 2001-001139 | R-CARBON(S):39KOHM,5%,1/2W,AA,TP,2.4X6.4M | |
| R910 | 2001-000429 | R-CARBON:1KOHM,5%,1/8W,AA,TP,1.8X3.2MM | | R428 | 2001-001150 | R-CARBON(S):470KOHM,5%,1/2W,AA,TP,2.4X6.4M | |
| R912 | 2001-000429 | R-CARBON:1KOHM,5%,1/8W,AA,TP,1.8X3.2MM | | R805 | 2001-001150 | R-CARBON(S):470KOHM,5%,1/2W,AA,TP,2.4X6.4M | |
| R914 | 2001-000429 | R-CARBON:1KOHM,5%,1/8W,AA,TP,1.8X3.2MM | | R806 | 2001-001150 | R-CARBON(S):470KOHM,5%,1/2W,AA,TP,2.4X6.4M | |
| R924 | 2001-000429 | R-CARBON:1KOHM,5%,1/8W,AA,TP,1.8X3.2MM | | R813 | 2001-001153 | R-CARBON(S):470HM,5%,1/2W,AA,TP,2.4X6.4M | |
| R929 | 2001-000429 | R-CARBON:1KOHM,5%,1/8W,AA,TP,1.8X3.2MM | | R832 | 2001-001153 | R-CARBON(S):470HM,5%,1/2W,AA,TP,2.4X6.4M | |
| R930 | 2001-000429 | R-CARBON:1KOHM,5%,1/8W,AA,TP,1.8X3.2MM | | R810 | 2001-001178 | R-CARBON(S):680HM,5%,1/2W,AA,TP,2.4X6.4M | |
| R936 | 2001-000429 | R-CARBON:1KOHM,5%,1/8W,AA,TP,1.8X3.2MM | | △RX801S | 2002-001010 | R-COMPOSITION:1.8Mohm,5%,1/2W,AA,TP,3.7x | |
| R945 | 2001-000449 | R-CARBON:2.2KOHM,5%,1/8W,AA,TP,1.8X3.2M | | △RY801S | 2002-001011 | R-COMPOSITION:3.3Mohm,5%,1/2W,AA,TP,3.7x | |
| R946 | 2001-000449 | R-CARBON:2.2KOHM,5%,1/8W,AA,TP,1.8X3.2M | | △RY802S | 2002-001013 | R-COMPOSITION:4.7Mohm,5%,1/2W,AA,TP,3.7x | |
| R236 | 2001-000515 | R-CARBON:220OHM,5%,1/8W,AA,TP,1.8X3.2MM | | R426 | 2003-000540 | R-METAL OXIDE(S):1Kohm,5%,2W,AF,TP,4x12m | |
| R237 | 2001-000515 | R-CARBON:220OHM,5%,1/8W,AA,TP,1.8X3.2MM | | R422 | 2003-000649 | R-METAL OXIDE(S):10ohm,5%,1W,AF,TP,4x12m | |
| R238 | 2001-000515 | R-CARBON:220OHM,5%,1/8W,AA,TP,1.8X3.2MM | | R434 | 2003-000664 | R-METAL OXIDE(S):33ohm,5%,2W,AF,TP,4x12m | |
| R247 | 2001-000515 | R-CARBON:220OHM,5%,1/8W,AA,TP,1.8X3.2MM | | R802 | 2003-001025 | R-METAL OXIDE(S):15Kohm,5%,2W,AF,TP,3.9x | |
| R932 | 2001-000515 | R-CARBON:220OHM,5%,1/8W,AA,TP,1.8X3.2MM | | R803 | 2003-001025 | R-METAL OXIDE(S):15Kohm,5%,2W,AF,TP,3.9x | |
| R934 | 2001-000515 | R-CARBON:220OHM,5%,1/8W,AA,TP,1.8X3.2MM | | R804 | 2003-001025 | R-METAL OXIDE(S):15Kohm,5%,2W,AF,TP,3.9x | |
| R943 | 2001-000515 | R-CARBON:220OHM,5%,1/8W,AA,TP,1.8X3.2MM | | R423 | 2003-001042 | R-METAL OXIDE(S):5.6Kohm,5%,2W,AF,TP,3.9 | |
| R215 | 2001-000522 | R-CARBON:22KOHM,5%,1/8W,AA,TP,1.8X3.2MM | | R433 | 2003-001042 | R-METAL OXIDE(S):5.6Kohm,5%,2W,AF,TP,3.9 | |
| R823 | 2001-000522 | R-CARBON:22KOHM,5%,1/8W,AA,TP,1.8X3.2MM | | R403 | 2003-001091 | R-METAL OXIDE(S):18Kohm,5%,2W,AF,TP,4x12m | |
| R621 | 2001-000577 | R-CARBON:2KOHM,5%,1/8W,AA,TP,1.8X3.2MM | | R401 | 2003-002008 | R-METAL OXIDE(S):18Kohm,5%,2W,AF,TP,3.9x | |
| R622 | 2001-000577 | R-CARBON:2KOHM,5%,1/8W,AA,TP,1.8X3.2MM | | R402 | 2003-002008 | R-METAL OXIDE(S):18Kohm,5%,2W,AF,TP,3.9x | |
| R105 | 2001-000702 | R-CARBON:39KOHM,5%,1/8W,AA,TP,1.8X3.2MM | | R436 | 2003-002008 | R-METAL OXIDE(S):18Kohm,5%,2W,AF,TP,3.9x | |
| R717 | 2001-000702 | R-CARBON:39KOHM,5%,1/8W,AA,TP,1.8X3.2MM | | R409 | 2003-002009 | R-METAL OXIDE(S):390ohm,5%,2W,AF,TP,3.9x | |
| R718 | 2001-000702 | R-CARBON:39KOHM,5%,1/8W,AA,TP,1.8X3.2MM | | R410 | 2003-002009 | R-METAL OXIDE(S):390ohm,5%,2W,AF,TP,3.9x | |
| R251 | 2001-000734 | R-CARBON:4.7KOHM,5%,1/8W,AA,TP,1.8X3.2M | | R305 | 2003-002157 | R-METAL OXIDE:220OHM,5%,2W,AG,TP,6x16MM | |
| R724 | 2001-000734 | R-CARBON:4.7KOHM,5%,1/8W,AA,TP,1.8X3.2M | | R306 | 2003-002157 | R-METAL OXIDE:220OHM,5%,2W,AG,TP,6x16MM | |
| R725 | 2001-000734 | R-CARBON:4.7KOHM,5%,1/8W,AA,TP,1.8X3.2M | | R835 | 2003-002181 | R-METAL OXIDE(S):68Kohm,5%,2W,AG,TP,3.9x | |
| R833 | 2001-000734 | R-CARBON:4.7KOHM,5%,1/8W,AA,TP,1.8X3.2M | | R836 | 2003-002181 | R-METAL OXIDE(S):68Kohm,5%,2W,AG,TP,3.9x | |
| R901 | 2001-000734 | R-CARBON:4.7KOHM,5%,1/8W,AA,TP,1.8X3.2M | | R313 | 2004-001137 | R-METAL(S):6.8Kohm,1%,1/8W,AA,TP,1.8X3.2m | |
| R903 | 2001-000734 | R-CARBON:4.7KOHM,5%,1/8W,AA,TP,1.8X3.2M | | R417 | 2004-001382 | R-METAL(S):13Kohm,1%,1/2W,AA,TP,2.4x6.4m | |
| R904 | 2001-000734 | R-CARBON:4.7KOHM,5%,1/8W,AA,TP,1.8X3.2M | | R301 | 2004-001397 | R-METAL(S):4.7Kohm,1%,1/2W,AA,TP,2.4x6.4 | |
| R905 | 2001-000734 | R-CARBON:4.7KOHM,5%,1/8W,AA,TP,1.8X3.2M | | R415 | 2004-001402 | R-METAL(S):6.8Kohm,1%,1/2W,AA,TP,2.4x6.4 | |
| R906 | 2001-000734 | R-CARBON:4.7KOHM,5%,1/8W,AA,TP,1.8X3.2M | | R420 | 2004-001402 | R-METAL(S):6.8Kohm,1%,1/2W,AA,TP,2.4x6.4 | |
| R908 | 2001-000734 | R-CARBON:4.7KOHM,5%,1/8W,AA,TP,1.8X3.2M | | R811 | 2004-001408 | R-METAL(S):91Kohm,1%,1/2W,AA,TP,2.4x6.4m | |
| R921 | 2001-000734 | R-CARBON:4.7KOHM,5%,1/8W,AA,TP,1.8X3.2M | | R821 | 2004-001891 | R-METAL(S):133Kohm,1%,1/2W,AA,TP,2.5x6.5 | |
| R927 | 2001-000734 | R-CARBON:4.7KOHM,5%,1/8W,AA,TP,1.8X3.2M | | R819 | 2004-001983 | R-METAL(S):2.49Kohm,1%,1/2W,AA,TP,2.4x6.4 | |
| R928 | 2001-000734 | R-CARBON:4.7KOHM,5%,1/8W,AA,TP,1.8X3.2M | | R302 | 2004-001984 | R-METAL(S):26.7Kohm,1%,1/2W,AA,TP,2.4x6.4 | |
| R937 | 2001-000734 | R-CARBON:4.7KOHM,5%,1/8W,AA,TP,1.8X3.2M | | R314 | 2004-001986 | R-METAL(S):35.7Kohm,1%,1/2W,AA,TP,2.4x6.4 | |
| R938 | 2001-000734 | R-CARBON:4.7KOHM,5%,1/8W,AA,TP,1.8X3.2M | | R315 | 2004-004970 | R-METAL(S):62Kohm,1%,1/8W,AA,TP,1.8X3.2m | |
| R224 | 2001-000780 | R-CARBON:470OHM,5%,1/8W,AA,TP,1.8X3.2MM | | R807 | 2006-001083 | R-CEMENT:120ohm,5%,5W,CJ,TP,14x10x27mm | |
| R225 | 2001-000780 | R-CARBON:470OHM,5%,1/8W,AA,TP,1.8X3.2MM | | R405 | 2008-000253 | R-FUSIBLE(S):0.47ohm,5%,1W,AF,TP,3.9x10m | |
| R226 | 2001-000780 | R-CARBON:470OHM,5%,1/8W,AA,TP,1.8X3.2MM | | R414 | 2008-000253 | R-FUSIBLE(S):0.47ohm,5%,1W,AF,TP,3.9x10m | |
| R614 | 2001-000780 | R-CARBON:470OHM,5%,1/8W,AA,TP,1.8X3.2MM | | R304 | 2008-000254 | R-FUSIBLE(S):0.68ohm,5%,2W,AF,TP,3.9x10m | |
| R615 | 2001-000780 | R-CARBON:470OHM,5%,1/8W,AA,TP,1.8X3.2MM | | R828 | 2008-000266 | R-FUSIBLE(S):1ohm,5%,2W,AF,TP,3.9x10m | |
| R616 | 2001-000780 | R-CARBON:470OHM,5%,1/8W,AA,TP,1.8X3.2MM | | R827 | 2008-000284 | R-FUSIBLE(S):0.10HM,10%,2W,AF,TP,3.9X10M | |
| R617 | 2001-000780 | R-CARBON:470OHM,5%,1/8W,AA,TP,1.8X3.2MM | | R413 | 2008-001018 | R-FUSIBLE(S):0.47ohm,10%,2W,AF,TP,3.9x10 | |
| R812 | 2001-000780 | R-CARBON:470OHM,5%,1/8W,AA,TP,1.8X3.2MM | | R424 | 2008-001018 | R-FUSIBLE(S):0.47ohm,10%,2W,AF,TP,3.9x10 | |
| R831 | 2001-000780 | R-CARBON:470OHM,5%,1/8W,AA,TP,1.8X3.2MM | | R425 | 2008-001018 | R-FUSIBLE(S):0.47ohm,10%,2W,AF,TP,3.9x10 | |
| R920 | 2001-000780 | R-CARBON:470OHM,5%,1/8W,AA,TP,1.8X3.2MM | | R829 | 2008-001029 | R-FUSIBLE(S):5.6OHM,5%,2W,AF,TP,3.9X10MM | |
| R931 | 2001-000780 | R-CARBON:470OHM,5%,1/8W,AA,TP,1.8X3.2MM | | C424 | 2201-000132 | C-CERAMIC,DISC:0.1nf,10%,500V,Y5P,TP,6.5 | |
| R933 | 2001-000780 | R-CARBON:470OHM,5%,1/8W,AA,TP,1.8X3.2MM | | C656 | 2201-000304 | C-CERAMIC,DISC:0.001nf,0.25pF,50V,NPO,TP | |
| R244 | 2001-000786 | R-CARBON:47KOHM,5%,1/8W,AA,TP,1.8X3.2MM | | C657 | 2201-000304 | C-CERAMIC,DISC:0.001nf,0.25pF,50V,NPO,TP | |
| R210 | 2001-000812 | R-CARBON:5.6KOHM,5%,1/8W,AA,TP,1.8X3.2M | | C804 | 2201-000332 | C-CERAMIC,DISC:2.2nf,20%,250V,Y5U,TP,9x4 | |
| R106 | 2001-000864 | R-CARBON:56KOHM,5%,1/8W,AA,TP,1.8X3.2MM | | C805 | 2201-000332 | C-CERAMIC,DISC:2.2nf,20%,250V,Y5U,TP,9x4 | |
| R922 | 2001-000924 | R-CARBON:680OHM,5%,1/8W,AA,TP,1.8X3.2MM | | C814 | 2201-000406 | C-CERAMIC,DISC:0.27nf,10%,2kV,Y5P,TP,6.3 | |
| R923 | 2001-000924 | R-CARBON:680OHM,5%,1/8W,AA,TP,1.8X3.2MM | | C401 | 2201-000556 | C-CERAMIC,DISC:0.47nf,10%,500V,Y5P,TP,5 | |
| R709 | 2001-000938 | R-CARBON:680HM,5%,1/8W,AA,TP,1.8X3.2MM | | C403 | 2201-000556 | C-CERAMIC,DISC:0.47nf,10%,500V,Y5P,TP,5 | |
| R710 | 2001-000938 | R-CARBON:680HM,5%,1/8W,AA,TP,1.8X3.2MM | | C421 | 2201-000556 | C-CERAMIC,DISC:0.47nf,10%,500V,Y5P,TP,5 | |
| R913 | 2001-000947 | R-CARBON:7.5KOHM,5%,1/8W,AA,TP,1.8X3.2M | | C601 | 2201-000558 | C-CERAMIC,DISC:0.47nf,10%,50V,Y5P,TP,5x3 | |
| R701 | 2001-000969 | R-CARBON:75OHM,5%,1/8W,AA,TP,1.8X3.2MM | | C419 | 2201-000599 | C-CERAMIC,DISC:0.56nf,10%,500V,Y5P,TP,5 | |
| R702 | 2001-000969 | R-CARBON:75OHM,5%,1/8W,AA,TP,1.8X3.2MM | | C817 | 2201-000599 | C-CERAMIC,DISC:0.56nf,10%,500V,Y5P,TP,5 | |
| R703 | 2001-000969 | R-CARBON:75OHM,5%,1/8W,AA,TP,1.8X3.2MM | | C819 | 2201-000599 | C-CERAMIC,DISC:0.56nf,10%,500V,Y5P,TP,5 | |
| R704 | 2001-000969 | R-CARBON:75OHM,5%,1/8W,AA,TP,1.8X3.2MM | | C822 | 2201-000599 | C-CERAMIC,DISC:0.56nf,10%,500V,Y5P,TP,5 | |
| R705 | 2001-000969 | R-CARBON:75OHM,5%,1/8W,AA,TP,1.8X3.2MM | | C654 | 2201-000611 | C-CERAMIC,DISC:0.056nf,5%,50V,NPO,TP,7x3 | |
| R711 | 2001-000969 | R-CARBON:75OHM,5%,1/8W,AA,TP,1.8X3.2MM | | C910 | 2201-000980 | C-CERAMIC,DISC:0.03nf,5%,50V,NPO,TP,5x3 | |
| R712 | 2001-000969 | R-CARBON:75OHM,5%,1/8W,AA,TP,1.8X3.2MM | | C911 | 2201-000980 | C-CERAMIC,DISC:0.03nf,5%,50V,NPO,TP,5x3 | |
| R719 | 2001-000969 | R-CARBON:75OHM,5%,1/8W,AA,TP,1.8X3.2MM | | C224 | 2201-002031 | C-CERAMIC,DISC:0.005nf,0.5pF,50V,NPO,TP | |
| L905 | 2001-000995 | R-CARBON:820OHM,5%,1/8W,AA,TP,1.8X3.2MM | | C225 | 2201-002031 | C-CERAMIC,DISC:0.005nf,0.5pF,50V,NPO,TP | |
| L401 | 2001-001038 | R-CARBON(S):0.560HM,5%,1/2W,AA,TP,2.4X6.4M | | C303 | 2201-002103 | C-CERAMIC,DISC:0.015nf,5%,500V,NPO,TP,6 | |

| Loc. No. | Code No. | Description ; Specification | Remark | Loc. No. | Code No. | Description ; Specification | Remark |
|----------|-------------|---|--------|----------|-------------|---|--------|
| C115 | 2202-000121 | C-CERAMIC,MLC-AXIAL:100pF,10%,50V,Y5P,TP | | C646 | 2305-000665 | C-FILM,MPEF:100nF,5%,63V,TP,7.5x4.0x5.0mm | |
| C116 | 2202-000121 | C-CERAMIC,MLC-AXIAL:100pF,10%,50V,Y5P,TP | | C825 | 2305-000665 | C-FILM,MPEF:100nF,5%,63V,TP,7.5x4.0x5.0mm | |
| C244 | 2202-000121 | C-CERAMIC,MLC-AXIAL:100pF,10%,50V,Y5P,TP | | C829 | 2305-000665 | C-FILM,MPEF:100nF,5%,63V,TP,7.5x4.0x5.0mm | |
| C245 | 2202-000121 | C-CERAMIC,MLC-AXIAL:100pF,10%,50V,Y5P,TP | | C831 | 2305-000665 | C-FILM,MPEF:100nF,5%,63V,TP,7.5x4.0x5.0mm | |
| C248 | 2202-000121 | C-CERAMIC,MLC-AXIAL:100pF,10%,50V,Y5P,TP | | C837 | 2305-000665 | C-FILM,MPEF:100nF,5%,63V,TP,7.5x4.0x5.0mm | |
| C250 | 2202-000121 | C-CERAMIC,MLC-AXIAL:100pF,10%,50V,Y5P,TP | | C839 | 2305-000665 | C-FILM,MPEF:100nF,5%,63V,TP,7.5x4.0x5.0mm | |
| C113 | 2202-000127 | C-CERAMIC,MLC-AXIAL:10nF,+80-20%,25V,Y5V | | C914 | 2305-000665 | C-FILM,MPEF:100nF,5%,63V,TP,7.5x4.0x5.0mm | |
| C623 | 2202-000231 | C-CERAMIC,MLC-AXIAL:330pF,10%,50V,Y5P,TP | | C916 | 2305-000665 | C-FILM,MPEF:100nF,5%,63V,TP,7.5x4.0x5.0mm | |
| C624 | 2202-000231 | C-CERAMIC,MLC-AXIAL:330pF,10%,50V,Y5P,TP | | C637 | 2401-000027 | C-AL:4.7uF,20%,50V,GP,TP,5x11,5 | |
| C627 | 2202-000231 | C-CERAMIC,MLC-AXIAL:330pF,10%,50V,Y5P,TP | | C640 | 2401-000027 | C-AL:4.7uF,20%,50V,GP,TP,5x11,5 | |
| C629 | 2202-000231 | C-CERAMIC,MLC-AXIAL:330pF,10%,50V,Y5P,TP | | C641 | 2401-000027 | C-AL:4.7uF,20%,50V,GP,TP,5x11,5 | |
| C638 | 2202-000231 | C-CERAMIC,MLC-AXIAL:330pF,10%,50V,Y5P,TP | | C643 | 2401-000027 | C-AL:4.7uF,20%,50V,GP,TP,5x11,5 | |
| C639 | 2202-000231 | C-CERAMIC,MLC-AXIAL:330pF,10%,50V,Y5P,TP | | C912 | 2401-000027 | C-AL:4.7uF,20%,50V,GP,TP,5x11,5 | |
| C642 | 2202-000231 | C-CERAMIC,MLC-AXIAL:330pF,10%,50V,Y5P,TP | | C104 | 2401-000133 | C-AL:100uF,20%,16V,GP,TP,10x20,5 | |
| C644 | 2202-000231 | C-CERAMIC,MLC-AXIAL:330pF,10%,50V,Y5P,TP | | C826 | 2401-000287 | C-AL:100uF,20%,16V,WT,TP,6.3x11,5 | |
| C701 | 2202-000231 | C-CERAMIC,MLC-AXIAL:330pF,10%,50V,Y5P,TP | | C816 | 2401-000293 | C-AL:100uF,+30-10%,200V,GP,TP,16x25 | |
| C702 | 2202-000231 | C-CERAMIC,MLC-AXIAL:330pF,10%,50V,Y5P,TP | | C302 | 2401-000360 | C-AL:100uF,20%,50V,GP,TP,8x11,5,5 | |
| C703 | 2202-000231 | C-CERAMIC,MLC-AXIAL:330pF,10%,50V,Y5P,TP | | C307 | 2401-000360 | C-AL:100uF,20%,50V,GP,TP,8x11,5,5 | |
| C923 | 2202-000263 | C-CERAMIC,MLC-AXIAL:470pF,10%,50V,Y5P,TP | | C413 | 2401-000493 | C-AL:10uF,20%,50V,LZ,TP,5x11mm,5mm | |
| C647 | 2202-000286 | C-CERAMIC,MLC-AXIAL:56pF,5%,50V,SL,TP,1 | | C617 | 2401-000493 | C-AL:10uF,20%,50V,LZ,TP,5x11mm,5mm | |
| C211 | 2202-000796 | C-CERAMIC,MLC-AXIAL:1NF,10%,50V,Y5P,TP,3 | | C917 | 2401-000493 | C-AL:10uF,20%,50V,LZ,TP,5x11mm,5mm | |
| C607 | 2202-000796 | C-CERAMIC,MLC-AXIAL:1NF,10%,50V,Y5P,TP,3 | | C201 | 2401-000603 | C-AL:1uF,20%,50V,GP,TP,5x11,5 | |
| C608 | 2202-000796 | C-CERAMIC,MLC-AXIAL:1NF,10%,50V,Y5P,TP,3 | | C301 | 2401-000603 | C-AL:1uF,20%,50V,GP,TP,5x11,5 | |
| C905 | 2202-000796 | C-CERAMIC,MLC-AXIAL:1NF,10%,50V,Y5P,TP,3 | | C604 | 2401-000603 | C-AL:1uF,20%,50V,GP,TP,5x11,5 | |
| C632 | 2202-000806 | C-CERAMIC,MLC-AXIAL:220pF,10%,50V,Y5P,TP | | C106 | 2401-000611 | C-AL:1uF,20%,50V,WT,TP,5x11,5 | |
| C908 | 2202-000863 | C-CERAMIC,MLC-AXIAL:560pF,10%,50V,Y5P,TP | | C841 | 2401-000611 | C-AL:1uF,20%,50V,WT,TP,5x11,5 | |
| C218 | 2202-002037 | C-CERAMIC,MLC-AXIAL:100nF,80-20%,50V,Y5V | | C818 | 2401-000722 | C-AL:220uF,20%,16V,GP,TP,16x25,7,5 | |
| C219 | 2202-002037 | C-CERAMIC,MLC-AXIAL:100nF,80-20%,50V,Y5V | | C237 | 2401-000914 | C-AL:22uF,20%,16V,GP,TP,5x11,5 | |
| C220 | 2202-002037 | C-CERAMIC,MLC-AXIAL:100nF,80-20%,50V,Y5V | | C208 | 2401-001026 | C-AL:3.3uF,20%,50V,GP,TP,5x11,5 | |
| C221 | 2202-002037 | C-CERAMIC,MLC-AXIAL:100nF,80-20%,50V,Y5V | | C217 | 2401-001026 | C-AL:3.3uF,20%,50V,GP,TP,5x11,5 | |
| C222 | 2202-002037 | C-CERAMIC,MLC-AXIAL:100nF,80-20%,50V,Y5V | | C636 | 2401-001026 | C-AL:3.3uF,20%,50V,GP,TP,5x11,5 | |
| C223 | 2202-002037 | C-CERAMIC,MLC-AXIAL:100nF,80-20%,50V,Y5V | | C402 | 2401-001397 | C-AL:470uF,20%,25V,GP,TP,10x16,5 | |
| C232 | 2202-002037 | C-CERAMIC,MLC-AXIAL:100nF,80-20%,50V,Y5V | | C404 | 2401-001397 | C-AL:470uF,20%,25V,GP,TP,10x16,5 | |
| C901 | 2202-002037 | C-CERAMIC,MLC-AXIAL:100nF,80-20%,50V,Y5V | | C422 | 2401-001527 | C-AL:47uF,20%,250V,HR,TP,13x25mm,5m | |
| C919 | 2202-002037 | C-CERAMIC,MLC-AXIAL:100nF,80-20%,50V,Y5V | | C634 | 2401-001840 | C-AL:100uF,20%,16V,GP,TP,6.3x11,5 | |
| C921 | 2202-002037 | C-CERAMIC,MLC-AXIAL:100nF,80-20%,50V,Y5V | | C832 | 2401-001840 | C-AL:100uF,20%,16V,GP,TP,6.3x11,5 | |
| C922 | 2202-002037 | C-CERAMIC,MLC-AXIAL:100nF,80-20%,50V,Y5V | | C838 | 2401-001840 | C-AL:100uF,20%,16V,GP,TP,6.3x11,5 | |
| C411 | 2301-000104 | C-FILM,PEF:1.2nF,5%,50V,TP,6.5x3.0x5.5mm | | C913 | 2401-001840 | C-AL:100uF,20%,16V,GP,TP,6.3x11,5 | |
| C649 | 2301-000108 | C-FILM,PEF:1.5nF,5%,50V,TP,6.5x3.0x5.5mm | | C915 | 2401-001840 | C-AL:100uF,20%,16V,GP,TP,6.3x11,5 | |
| C821 | 2301-000192 | C-FILM,PEF:1nF,5%,50V,TP,5.3x10mm,5mm | | C918 | 2401-001840 | C-AL:100uF,20%,16V,GP,TP,6.3x11,5 | |
| C902 | 2301-000192 | C-FILM,PEF:1nF,5%,50V,TP,5.3x10mm,5mm | | C612 | 2401-001914 | C-AL:1uF,20%,50V,BP,TP,5x11,5 | |
| C410 | 2301-000213 | C-FILM,PEF:220nF,5%,250V,TP,21.5x11,7,5 | | C613 | 2401-001914 | C-AL:1uF,20%,50V,BP,TP,5x11,5 | |
| C212 | 2301-000224 | C-FILM,PEF:22nF,5%,50V,TP,7.4x3.9x13mm,5 | | C622 | 2401-001989 | C-AL:4.7uF,20%,50V,BP,TP,5x11,5 | |
| C416 | 2301-000224 | C-FILM,PEF:22nF,5%,50V,TP,7.4x3.9x13mm,5 | | C625 | 2401-001989 | C-AL:4.7uF,20%,50V,BP,TP,5x11,5 | |
| C213 | 2301-000247 | C-FILM,PEF:33nF,5%,50V,TP,8.1x4.5x13mm,5 | | C626 | 2401-001989 | C-AL:4.7uF,20%,50V,BP,TP,5x11,5 | |
| C811 | 2301-000310 | C-FILM,PEF:68nF,5%,50V,TP,8.0x8.5x4.0x5 | | C628 | 2401-001989 | C-AL:4.7uF,20%,50V,BP,TP,5x11,5 | |
| C412 | 2301-000313 | C-FILM,PEF:8.2nF,5%,100V,TP,7x3.2x7mm,5m | | C707 | 2401-001989 | C-AL:4.7uF,20%,50V,BP,TP,5x11,5 | |
| C306 | 2301-000342 | C-FILM,PEF:2.2nF,5%,50V,TP,7.4x3.9x13mm, | | C827 | 2401-002212 | C-AL:10uF,20%,25V,WT,TP,5x11,5 | |
| C228 | 2301-000356 | C-FILM,PEF:47nF,5%,50V,TP,7.5x4.0x6.5,5m | | C840 | 2401-002212 | C-AL:10uF,20%,25V,WT,TP,5x11,5 | |
| C230 | 2301-000356 | C-FILM,PEF:47nF,5%,50V,TP,7.5x4.0x6.5,5m | | C202 | 2401-002235 | C-AL:10uF,20%,16V,GP,TP,5x11mm,5mm | |
| C809 | 2301-000356 | C-FILM,PEF:47nF,5%,50V,TP,7.5x4.0x6.5,5m | | C205 | 2401-002235 | C-AL:10uF,20%,16V,GP,TP,5x11mm,5mm | |
| C810 | 2301-000356 | C-FILM,PEF:47nF,5%,50V,TP,7.5x4.0x6.5,5m | | C215 | 2401-002235 | C-AL:10uF,20%,16V,GP,TP,5x11mm,5mm | |
| C103 | 2301-000383 | C-FILM,PEF:10nF,5%,50V,TP,6x7x3.2mm,5mm | | C231 | 2401-002235 | C-AL:10uF,20%,16V,GP,TP,5x11mm,5mm | |
| C105 | 2301-000383 | C-FILM,PEF:10nF,5%,50V,TP,6x7x3.2mm,5mm | | C603 | 2401-002235 | C-AL:10uF,20%,16V,GP,TP,5x11mm,5mm | |
| C909 | 2301-000383 | C-FILM,PEF:10nF,5%,50V,TP,6x7x3.2mm,5mm | | C630 | 2401-002235 | C-AL:10uF,20%,16V,GP,TP,5x11mm,5mm | |
| C415 | 2301-000445 | C-FILM,PEF:4.7nF,5%,50V,TP,5.5x7x3mm,5mm | | C631 | 2401-002235 | C-AL:10uF,20%,16V,GP,TP,5x11mm,5mm | |
| C610 | 2301-000445 | C-FILM,PEF:4.7nF,5%,50V,TP,5.5x7x3mm,5mm | | C645 | 2401-002235 | C-AL:10uF,20%,16V,GP,TP,5x11mm,5mm | |
| C611 | 2301-000445 | C-FILM,PEF:4.7nF,5%,50V,TP,5.5x7x3mm,5mm | | C652 | 2401-002235 | C-AL:10uF,20%,16V,GP,TP,5x11mm,5mm | |
| C420 | 2301-001065 | C-FILM,MPPF:47nF,5%,630V,TP,19x15.5x7,7 | | C708 | 2401-002235 | C-AL:10uF,20%,16V,GP,TP,5x11mm,5mm | |
| C425 | 2301-001259 | C-FILM,MPPF:100nF,5%,400V,TP,19x8x16,7,5 | | C920 | 2401-002235 | C-AL:10uF,20%,16V,GP,TP,5x11mm,5mm | |
| C409 | 2301-001268 | C-FILM,PPF:33nF,5%,630V,TP,20x11x17,7,5 | | C427 | 2401-002267 | C-AL:2.2uF,20%,250V,GP,TP,8x11,5,5 | |
| C429 | 2303-000163 | C-FILM,PPF:2.2nF,5%,800V,TP,15x13x8,5,7 | | C835 | 2401-002289 | C-AL:470uF,20%,35V,WT,TP,10x20,5 | |
| C807 | 2303-000163 | C-FILM,PPF:2.2nF,5%,800V,TP,15x13x8,5,7 | | C621 | 2401-002458 | C-AL:1000uF,20%,35V,GP,TP,16x25,7,5 | |
| C305 | 2305-000149 | C-FILM,MPEF:100nF,5%,100V,TP,12x12.5x6.5 | | C414 | 2401-002597 | C-AL:220uF,20%,35V,GP,TP,10x12.5,5 | |
| C304 | 2305-000285 | C-FILM,MPEF:220nF,5%,100V,TP,10.5x5.5x15 | | C418 | 2401-002597 | C-AL:220uF,20%,35V,GP,TP,10x12.5,5 | |
| C408 | 2305-000382 | C-FILM,MPEF:4.7nF,5%,400V,TP,-,5mm | | C229 | 2401-002619 | C-AL:47uF,20%,25V,GP,TP,5x11,5 | |
| C233 | 2305-000412 | C-FILM,MPEF:470nF,5%,63V,TP,-,5mm | | C833 | 2401-002619 | C-AL:47uF,20%,25V,GP,TP,5x11,5 | |
| C234 | 2305-000412 | C-FILM,MPEF:470nF,5%,63V,TP,-,5mm | | C823 | 2401-003046 | C-AL:47uF,20%,50V,WT,TP,6.3x11,2,5 | |
| C235 | 2305-000412 | C-FILM,MPEF:470nF,5%,63V,TP,-,5mm | | C824 | 2401-003046 | C-AL:47uF,20%,50V,WT,TP,6.3x11,2,5 | |
| C236 | 2305-000412 | C-FILM,MPEF:470nF,5%,63V,TP,-,5mm | | C808 | 2401-003046 | C-AL:47uF,20%,50V,WT,TP,6.3x11,2,5 | |
| C308 | 2305-000412 | C-FILM,MPEF:470nF,5%,63V,TP,-,5mm | | CW901 | 2503-000156 | C-NETWORK:100pF,4.2%,50V | |
| C907 | 2305-000412 | C-FILM,MPEF:470nF,5%,63V,TP,-,5mm | | J706 | 2701-000114 | INDUCTOR-AXIAL:10uH,10%,2.5x3.4mm | |
| C214 | 2305-000665 | C-FILM,MPEF:100nF,5%,63V,TP,7.5x4.0x5.0mm | | J718 | 2701-000114 | INDUCTOR-AXIAL:10uH,10%,2.5x3.4mm | |
| C216 | 2305-000665 | C-FILM,MPEF:100nF,5%,63V,TP,7.5x4.0x5.0mm | | L201 | 2701-000114 | INDUCTOR-AXIAL:10uH,10%,2.5x3.4mm | |
| C605 | 2305-000665 | C-FILM,MPEF:100nF,5%,63V,TP,7.5x4.0x5.0mm | | L202 | 2701-000114 | INDUCTOR-AXIAL:10uH,10%,2.5x3.4mm | |
| C620 | 2305-000665 | C-FILM,MPEF:100nF,5%,63V,TP,7.5x4.0x5.0mm | | L301 | 2701-000114 | INDUCTOR-AXIAL:10uH,10%,2.5x3.4mm | |
| C635 | 2305-000665 | C-FILM,MPEF:100nF,5%,63V,TP,7.5x4.0x5.0mm | | L406 | 2701-000114 | INDUCTOR-AXIAL:10uH,10%,2.5x3.4mm | |

| Loc. No. | Code No. | Description ; Specification | Remark |
|----------|-------------|--|--------|
| L711 | 2701-000114 | INDUCTOR-AXIAL:10uH,10%,2.5x3.4mm | |
| L907 | 2701-000114 | INDUCTOR-AXIAL:10uH,10%,2.5x3.4mm | |
| L103 | 2701-000115 | INDUCTOR-AXIAL:10uH,10%,3x7mm | |
| L208 | 2701-000168 | INDUCTOR-AXIAL:3.3uH,5%,2.5x3.4mm | |
| L209 | 2701-000168 | INDUCTOR-AXIAL:3.3uH,5%,2.5x3.4mm | |
| L210 | 2701-000168 | INDUCTOR-AXIAL:3.3uH,5%,2.5x3.4mm | |
| L212 | 2701-000168 | INDUCTOR-AXIAL:3.3uH,5%,2.5x3.4mm | |
| L709 | 2701-000168 | INDUCTOR-AXIAL:3.3uH,5%,2.5x3.4mm | |
| L710 | 2701-000168 | INDUCTOR-AXIAL:3.3uH,5%,2.5x3.4mm | |
| L604 | 2701-000169 | INDUCTOR-AXIAL:3.9uH,10%,2.5x3.4mm | |
| L605 | 2701-000177 | INDUCTOR-AXIAL:33uH,10%,2.5x3.4mm | |
| L606 | 2701-000177 | INDUCTOR-AXIAL:33uH,10%,2.5x3.4mm | |
| L607 | 2701-000177 | INDUCTOR-AXIAL:33uH,10%,2.5x3.4mm | |
| L608 | 2701-000177 | INDUCTOR-AXIAL:33uH,10%,2.5x3.4mm | |
| L701 | 2701-000177 | INDUCTOR-AXIAL:33uH,10%,2.5x3.4mm | |
| L702 | 2701-000177 | INDUCTOR-AXIAL:33uH,10%,2.5x3.4mm | |
| L705 | 2701-000177 | INDUCTOR-AXIAL:33uH,10%,2.5x3.4mm | |
| L706 | 2701-000177 | INDUCTOR-AXIAL:33uH,10%,2.5x3.4mm | |
| L204 | 2701-000184 | INDUCTOR-AXIAL:4.7uH,10%,2.5x3.4mm | |
| L902 | 2701-000184 | INDUCTOR-AXIAL:4.7uH,10%,2.5x3.4mm | |
| L908 | 2701-000191 | INDUCTOR-AXIAL:47uH,10%,2.5x3.4mm | |
| L909 | 2701-000191 | INDUCTOR-AXIAL:47uH,10%,2.5x3.4mm | |
| L102 | 2701-000200 | INDUCTOR-AXIAL:5.6uH,10%,4.2x9.8mm | |
| L901 | 2702-001094 | INDUCTOR-RADIAL:10uH,10%,6x4mm | |
| L903 | 2702-001094 | INDUCTOR-RADIAL:10uH,10%,6x4mm | |
| L904 | 2702-001094 | INDUCTOR-RADIAL:10uH,10%,6x4mm | |
| X201 | 2801-003432 | CRYSTAL-UNIT:20.25MHZ,30PPM,28-AAM,13PF | |
| X901 | 2801-003728 | CRYSTAL-UNIT:6MHz,30ppm,28-AAM,20pf,40oh | |
| X601 | 2801-003903 | CRYSTAL-UNIT:18.432MHz,25ppm,28-AAM,12pf | |
| L407 | 2901-000297 | FILTER-EMI ON BOARD:-,3A,-,-,3.5x5,TP,- | |
| L601 | 2901-000297 | FILTER-EMI ON BOARD:-,3A,-,-,3.5x5,TP,- | |
| L609 | 2901-000297 | FILTER-EMI ON BOARD:-,3A,-,-,3.5x5,TP,- | |
| L807 | 2901-000297 | FILTER-EMI ON BOARD:-,3A,-,-,3.5x5,TP,- | |
| J901 | 3301-000287 | CORE-FERRITE BEAD:AA,3.5x1.0x6.0mm,1500, | |
| L207 | 3301-000287 | CORE-FERRITE BEAD:AA,3.5x1.0x6.0mm,1500, | |
| L302 | 3301-000287 | CORE-FERRITE BEAD:AA,3.5x1.0x6.0mm,1500, | |
| L303 | 3301-000287 | CORE-FERRITE BEAD:AA,3.5x1.0x6.0mm,1500, | |
| L410 | 3301-000287 | CORE-FERRITE BEAD:AA,3.5x1.0x6.0mm,1500, | |
| L412 | 3301-000287 | CORE-FERRITE BEAD:AA,3.5x1.0x6.0mm,1500, | |
| L802 | 3301-000287 | CORE-FERRITE BEAD:AA,3.5x1.0x6.0mm,1500, | |
| L803 | 3301-000287 | CORE-FERRITE BEAD:AA,3.5x1.0x6.0mm,1500, | |
| L804 | 3301-000287 | CORE-FERRITE BEAD:AA,3.5x1.0x6.0mm,1500, | |
| L809 | 3301-000287 | CORE-FERRITE BEAD:AA,3.5x1.0x6.0mm,1500, | |
| L801 | 3301-001223 | CORE-FERRITE BEAD:AA,62ohm,3.5x0.8x5mm,- | |
| L806 | 3301-001223 | CORE-FERRITE BEAD:AA,62ohm,3.5x0.8x5mm,- | |
| FA802S | 3601-001086 | FUSE-AXIAL LEAD:125V,5A,FAST-ACTING,GLAS | |
| FA803S | 3601-001228 | FUSE-AXIAL LEAD:125V,10A,FAST-ACTING,EPO | |
| F801A | 3602-000114 | FUSE-HOLDER:-,30mohm | |
| F801B | 3602-000114 | FUSE-HOLDER:-,30mohm | |
| CN602 | 3711-002644 | CONNECTOR-HEADER:BOX,5P,1R,2.5mm,STRAIGH | |
| CN901 | 3711-002644 | CONNECTOR-HEADER:BOX,5P,1R,2.5mm,STRAIGH | |
| CN302 | 3711-002645 | CONNECTOR-HEADER:BOX,6P,1R,2.5MM,STRAIGH | |
| CN502 | 3711-002646 | CONNECTOR-HEADER:BOX,7P,1R,2.5mm,STRAIGH | |
| CN704 | 3711-002646 | CONNECTOR-HEADER:BOX,7P,1R,2.5mm,STRAIGH | |
| CN702 | 3711-002647 | CONNECTOR-HEADER:BOX,8P,1R,2.5mm,STRAIGH | |
| HIC201 | AA13-00093A | IC HYBRID:-,DRGB001A,SIP,5P,-,TP | |
| HIC202 | AA13-00093A | IC HYBRID:-,DRGB001A,SIP,5P,-,TP | |
| HIC203 | AA13-00093A | IC HYBRID:-,DRGB001A,SIP,5P,-,TP | |
| HIC204 | AA13-00093A | IC HYBRID:-,DRGB001A,SIP,5P,-,TP | |
| PCB | AA41-00168C | PCB-MAIN:KS3A,FR-1,1L,C,1.6T,330x245,-, | |
| R212 | 2004-000218 | R-METAL:10Kohm,1%,1/8W,AA,TP,1.8x3.2mm | |
| C803 | 2401-003576 | C-AL:470uF,20%,450V,GP,ST,35x45mm,1 | |

ASSY CHASSIS PART

* AA90-30213DASSY CHASSIS PART:KS3A,295A

| | | |
|--------|-------------|--|
| D-FOCU | 6003-001023 | SCREW-TAPTITE:RW,+,B,M3,L10,ZPC(YEL),SW |
| TB+HC | 6003-001023 | SCREW-TAPTITE:RW,+,B,M3,L10,ZPC(YEL),SW |
| | AA61-20254A | HOLDER-CHASSIS:-,CS-622A,HIPS,V0,BLK,- |
| AV | AA65-00011C | CLAMP-WIRE:ALL MODEL,NYLON 66,V2,NTR,25M |

ASSY CABINET FRONT

* AA91-00113HASSY CABINET FRONT:-,CS-29A5WT KS3A PLAN
* AA90-70133WASSY CABINET:29A5,CS29A5WT8X/XSG

| | | |
|--------|-------------|---|
| BRK+CF | 6002-000514 | SCREW-TAPPING:RH,+,2,M4,L15,ZPC(BLK),SWR |
| CP+CF | 6002-000514 | SCREW-TAPPING:RH,+,2,M4,L15,ZPC(BLK),SWR |
| TER+RJ | 6002-000514 | SCREW-TAPPING:RH,+,2,M4,L15,ZPC(BLK),SWR |
| CF+AV | 6002-000522 | SCREW-TAPPING:TH,+,2,M4,L15,ZPC(BLK),SWR |
| DOME | AA60-10050A | SCREW-ASSY:WPRH,+,M4,L25,SWRCH18A,-,ZPC |
| CB+TER | AA60-10050T | SCREW-TAPPING:RH,+,2S,M4,L20,ZPC(BLK),SW |
| CF+CB | AA60-10050T | SCREW-TAPPING:RH,+,2S,M4,L20,ZPC(BLK),SW |
| CTS+CB | AA60-10050T | SCREW-TAPPING:RH,+,2S,M4,L20,ZPC(BLK),SW |
| CRT+CF | AA60-10050V | SCREW-ASSY:VVC,HH,+,M6,L30,SWRCH18A,ZPC(S |
| | AA61-10054A | BRACKET-CRATER:-,6277,STS304,T0.5,-,-,- |
| | AA63-30213D | COVER-TOP,SPK:-,29A5,-,HIPS,HB,BLK,-,- |
| CABBAC | AA63-60001X | SPACER-FELT:FELT,T0.5,BLK,330X15,-,- |
| CRT | AA63-60004G | SPACER-GUM,CRT:NTR RUBBER,T3.0,GRY,-,-,- |
| | AA64-01230B | INLAY-COVER:D2,D3,PVC-SHEET,T0.4,94V0,-,- |
| | AA64-31107D | CABINET-BACK:-,29A5,-,HIPS,HB,BLK,-,- |
| | AA65-30008A | CLAMP-CORD,PE,HB,BLK,-,-,- |
| | AA65-30017A | CLAMP-D,COIL:NYLON-66,V0,NTR,DADH300,25 |
| D-COIL | AA65-30113A | CLAMP-D,COIL:NYLON 66,V2,BLK,TVI 25-29,- |
| KNOPOV | AA61-60005D | SPRING-CS:-,SUS304,0.4,OD5.5,H9,N4,-,-,- |
| | AA64-10709A | KNOB-MASTER:-,295A,-,ACRYL,-,CLR,- |
| | AA64-10710A | KNOB-CONTROL:-,725A,-,ABS,HB,GRAY |
| | AA64-31106J | CABINET FRONT:CS-29A5WT KS3A PLANO,S704P |
| | AA64-40455A | WINDOW-REMOCON:-,725A,-,PC,-,VIOLET,- |
| | AA64-40456B | INDICATOR-LED:-,295A,-,ACRYL,-,CLR,- |
| | AA64-60445V | INLAY AV:29A5,PS SHEET,-,-,BLK,-,KS3A E |
| | AA64-60446C | INLAY-PC,JACK:29A6,L/GRAY,PS SHEET,T0.5 |
| | AA64-70117B | BADGE-BRAND:AL,SS,SILVER,L65,R2000,-,- |
| | AA65-00011C | CLAMP-WIRE:ALL MODEL,NYLON 66,V2,NTR,25M |

ASSY HOLDER SPK

* AA91-00333BASSY HOLDER SPK:-,PP80hm/15W,BLK,AA91-0

ASSY TERMINAL BOARD

* AA91-00368BASSY TERMINAL BOARD:-,HIPS,V0,BLK,KS3A R

AA63-40254B TERMINAL-BOARD,ANT:-,HIPS,HB,BLK KCT55A,
AA64-01036C INLAY BACK:29A5,PS SHEET,T0.5,-,BLK,-,PC

ASSY ACCESSORY

* AA94-02704AASSY ACCESSORY:CS29A5WT8X/XSG,KS2A,U.A.E

AA39-40001B CABLE-RCA:-,RCA,1500mm,0.12/10,RED/WHT/Y
AA68-01013A MANUAL USERS:-,ARB,-,W/P100G,ALL1,-,B
AA68-01016A MANUAL USERS:-,ENG,-,W/P100G,ALL1,-,B5

ASSY-CRT

* AA94-50022DASSY-CRT:A68QCP891X001,+380MG,29,ITC,C

AA03-00075A CRT-COLOR:-,A68QCP891X003(C),+380MG,29IN

ASSY PCB CONTROL

* AA95-00681AASSY PCB CONTROL:-,KS3A,29A5,PAL

| | | |
|--------|-------------|---------------------------------------|
| LDY01 | 0601-000198 | LED:ROUND,RED/GRN,5.0mm,630/565nm |
| CY01 | 2401-002144 | C-AL:47uF,20%,16V,GP,TP,5x11,5 |
| SW811S | 3403-000179 | SWITCH-PUSH:250V,5A,DPST,-,JPW-2104B |
| SWY02 | 3404-000176 | SWITCH-TACT:12V,50mA,120gf,6x6mm,SPST |
| SWY03 | 3404-000176 | SWITCH-TACT:12V,50mA,120gf,6x6mm,SPST |

| Loc. No. | Code No. | Description ; Specification | Remark | Loc. No. | Code No. | Description ; Specification | Remark |
|----------|-------------|--|--------|----------|----------|-----------------------------|--------|
| SWY04 | 3404-000176 | SWITCH-TACT;12V,50mA,120gf,6x6mm,SPST | | | | | |
| SWY05 | 3404-000176 | SWITCH-TACT;12V,50mA,120gf,6x6mm,SPST | | | | | |
| SWY06 | 3404-000176 | SWITCH-TACT;12V,50mA,120gf,6x6mm,SPST | | | | | |
| SCREW | 6001-000057 | SCREW-MACHINE;RH,+,M3,L6,ZPC(BLK),SWRCH1 | | | | | |
| PCB | AA41-00299A | PCB-CONTROL;CS29A5WT,FR-1,1L,A,1.6T,245x | | | | | |
| RMV01 | AA59-60002B | MODULE-REMOCON;-;ORC-50HF,38KHZ,940MM,ME | | | | | |
| DZY01 | 0403-000508 | DIODE-ZENER;MTZJ5.6B,5.6V,5.45-5.73V,500 | | | | | |
| RY03 | 2001-000007 | R-CARBON;3KOHM,5%,1/8W,AA,TP,1.8X3.2MM | | | | | |
| RY05 | 2001-000009 | R-CARBON;20KOHM,5%,1/8W,AA,TP,1.8X3.2MM | | | | | |
| RY01 | 2001-000020 | R-CARBON(S);22OHM,5%,1/2W,AA,TP,2.4X6.4M | | | | | |
| RY02 | 2001-000577 | R-CARBON;2KOHM,5%,1/8W,AA,TP,1.8X3.2MM | | | | | |
| RY04 | 2001-000878 | R-CARBON;6.2KOHM,5%,1/8W,AA,TP,1.8X3.2M | | | | | |
| CN811 | AA39-20179F | LEAD CONNECTOR-ASSY;-;-;3(2)P;-;-;-;YF | | | | | |
| CNY01 | AA39-20546E | LEAD CONNECTOR-ASSY;-;-;-;5P;-;-;-;YBNH2 | | | | | |
| CNY02 | AA39-00106B | LEAD CONNECTOR-ASSY;-;-;-;4P;-;-;-;YBNH2 | | | | | |

ASSY-PCB,A/V SIDE

* AA95-00682A ASSY-PCB,A/V SIDE;-;29A6,29A5,KS3A,PAL,-

| | | |
|-------|-------------|--|
| JH701 | 3722-000143 | JACK-PHONE;1P(VER),3.4mm,AG,BLK,NO |
| JA701 | 3722-001031 | JACK-RCA;3P,3.6MM,#18,AU |
| JS701 | 3722-001163 | JACK-VHS;4P,12mm,AU,BLK,N |
| CN704 | AA39-00070A | LEAD CONNECTOR-ASSY;-;-;-;-;-;-;-;YB |
| CN705 | AA39-20009E | LEAD CONNECTOR-ASSY;-;YFH800-01,-;1P,600 |
| CN701 | AA39-20068G | LEAD CONNECTOR-ASSY;-;YBNH025-08,67096-0 |
| CN703 | AA39-20069A | LEAD CONNECTOR-ASSY;-;YBNH025-05,67096-0 |
| PCB | AA41-00155A | PCB-SIDE AV;KS3A,1L,FR-1,245x245x1.6T,8A |
| R701 | 2001-000028 | R-CARBON(S);100OHM,5%,1/2W,AA,TP,2.4X6.4 |
| R702 | 2001-000028 | R-CARBON(S);100OHM,5%,1/2W,AA,TP,2.4X6.4 |
| R703 | 2001-000969 | R-CARBON;75OHM,5%,1/8W,AA,TP,1.8X3.2MM |
| R704 | 2001-000969 | R-CARBON;75OHM,5%,1/8W,AA,TP,1.8X3.2MM |
| C701 | 2202-000121 | C-CERAMIC,MLC-AXIAL;100pF,10%,50V,Y5P,TP |
| C702 | 2202-000121 | C-CERAMIC,MLC-AXIAL;100pF,10%,50V,Y5P,TP |
| C703 | 2202-000231 | C-CERAMIC,MLC-AXIAL;330pF,10%,50V,Y5P,TP |
| C704 | 2202-000231 | C-CERAMIC,MLC-AXIAL;330pF,10%,50V,Y5P,TP |
| C707 | 2202-000231 | C-CERAMIC,MLC-AXIAL;330pF,10%,50V,Y5P,TP |
| C708 | 2202-000231 | C-CERAMIC,MLC-AXIAL;330pF,10%,50V,Y5P,TP |
| C705 | 2401-002009 | C-AL;100uF,20%,16V,GP,TP,6.3x7,5 |
| C706 | 2401-002009 | C-AL;100uF,20%,16V,GP,TP,6.3x7,5 |
| L701 | 2701-000114 | INDUCTOR-AXIAL;10uH,10%,2.5x3.4mm |
| L702 | 2701-000114 | INDUCTOR-AXIAL;10uH,10%,2.5x3.4mm |
| L703 | 2701-000114 | INDUCTOR-AXIAL;10uH,10%,2.5x3.4mm |
| L704 | 2701-000114 | INDUCTOR-AXIAL;10uH,10%,2.5x3.4mm |
| L707 | 3301-000287 | CORE-FERRITE BEAD;AA,3.5x1.0x6.0mm,1500, |
| L708 | 3301-000287 | CORE-FERRITE BEAD;AA,3.5x1.0x6.0mm,1500, |
| L705 | 2701-000168 | INDUCTOR-AXIAL;3.3uH,5%,2.5x3.4mm |
| L706 | 2701-000168 | INDUCTOR-AXIAL;3.3uH,5%,2.5x3.4mm |
| CN702 | AA39-20070J | LEAD CONNECTOR-ASSY;-;-;-;-;7P;-;-;-;YBNH2 |

ASSY-POWER,CORD

* AA96-20109C ASSY-POWER,CORD;-;CP2/NO(4.0),H/C300,KKP

AA39-10006X POWER-CORD;-;KKP419C,KLCE-2F,2.286MT,3P,
AA61-20284A HOLDER;-;P-CORD,PP,VO,BLK,KE-002

REMOCON

* AA59-00104A REMOCON;-;TM59,DREAM,29,L/GRAY;-;EX,PA

| Loc. No. | Code No. | Description ; Specification | Remark | Loc. No. | Code No. | Description ; Specification | Remark |
|----------|-------------|--|--------|----------|-------------|--|--------|
| C234 | 2305-000412 | C-FILM,MPEF:470nF,5%,63V,TP,-,5mm | | C621 | 2401-002458 | C-AL:1000uF,20%,35V,GP,TP,16x25,7.5 | |
| C235 | 2305-000412 | C-FILM,MPEF:470nF,5%,63V,TP,-,5mm | | C622 | 2401-001989 | C-AL:4.7uF,20%,50V,BP,TP,5x11,5 | |
| C236 | 2305-000412 | C-FILM,MPEF:470nF,5%,63V,TP,-,5mm | | C623 | 2202-000231 | C-CERAMIC,MLC-AXIAL:330pF,10%,50V,Y5P,TP | |
| C237 | 2401-000914 | C-AL:22uF,20%,16V,GP,TP,5x11,5 | | C624 | 2202-000231 | C-CERAMIC,MLC-AXIAL:330pF,10%,50V,Y5P,TP | |
| C244 | 2202-000121 | C-CERAMIC,MLC-AXIAL:100pF,10%,50V,Y5P,TP | | C625 | 2401-001989 | C-AL:4.7uF,20%,50V,BP,TP,5x11,5 | |
| C245 | 2202-000121 | C-CERAMIC,MLC-AXIAL:100pF,10%,50V,Y5P,TP | | C626 | 2401-001989 | C-AL:4.7uF,20%,50V,BP,TP,5x11,5 | |
| C248 | 2202-000121 | C-CERAMIC,MLC-AXIAL:100pF,10%,50V,Y5P,TP | | C627 | 2202-000231 | C-CERAMIC,MLC-AXIAL:330pF,10%,50V,Y5P,TP | |
| C250 | 2202-000121 | C-CERAMIC,MLC-AXIAL:100pF,10%,50V,Y5P,TP | | C628 | 2401-001989 | C-AL:4.7uF,20%,50V,BP,TP,5x11,5 | |
| C301 | 2401-000603 | C-AL:1uF,20%,50V,GP,TP,5x11,5 | | C629 | 2202-000231 | C-CERAMIC,MLC-AXIAL:330pF,10%,50V,Y5P,TP | |
| C302 | 2401-000360 | C-AL:100uF,20%,50V,GP,TP,8x11.5,5 | | C630 | 2401-002235 | C-AL:10uF,20%,16V,GP,TP,5x11mm,5mm | |
| C303 | 2201-002103 | C-CERAMIC,DISC:0.015nF,5%,500V,NPO,TP,6 | | C631 | 2401-002235 | C-AL:10uF,20%,16V,GP,TP,5x11mm,5mm | |
| C304 | 2305-000285 | C-FILM,MPEF:220nF,5%,100V,TP,10.5x5.5x15 | | C632 | 2202-000806 | C-CERAMIC,MLC-AXIAL:220pF,10%,50V,Y5P,TP | |
| C305 | 2305-000149 | C-FILM,MPEF:100nF,5%,100V,TP,12x12.5x6.5 | | C634 | 2401-001840 | C-AL:100uF,20%,16V,GP,TP,6.3x11,5 | |
| C306 | 2301-000342 | C-FILM,PEF:2.2nF,5%,50V,TP,7.4x3.9x13mm, | | C635 | 2305-000665 | C-FILM,MPEF:100nF,5%,63V,TP,7.5x4.0x5.0m | |
| C307 | 2401-000360 | C-AL:100uF,20%,50V,GP,TP,8x11.5,5 | | C636 | 2401-001026 | C-AL:3.3uF,20%,50V,GP,TP,5x11,5 | |
| C308 | 2305-000412 | C-FILM,MPEF:470nF,5%,63V,TP,-,5mm | | C637 | 2401-000027 | C-AL:4.7uF,20%,50V,GP,TP,5x11,5 | |
| C401 | 2201-000556 | C-CERAMIC,DISC:0.47nF,10%,500V,Y5P,TP,5 | | C638 | 2202-000231 | C-CERAMIC,MLC-AXIAL:330pF,10%,50V,Y5P,TP | |
| C402 | 2401-001397 | C-AL:470uF,20%,25V,GP,TP,10x16,5 | | C639 | 2202-000231 | C-CERAMIC,MLC-AXIAL:330pF,10%,50V,Y5P,TP | |
| C403 | 2201-000556 | C-CERAMIC,DISC:0.47nF,10%,500V,Y5P,TP,5 | | C640 | 2401-000027 | C-AL:4.7uF,20%,50V,GP,TP,5x11,5 | |
| C404 | 2401-001397 | C-AL:470uF,20%,25V,GP,TP,10x16,5 | | C641 | 2401-000027 | C-AL:4.7uF,20%,50V,GP,TP,5x11,5 | |
| C405 | 2306-000330 | C-FILM,MPPF:7.7nF,3%,1.6kV,TP,28.5x18.5x | | C642 | 2202-000231 | C-CERAMIC,MLC-AXIAL:330pF,10%,50V,Y5P,TP | |
| C406 | 2306-000330 | C-FILM,MPPF:7.7nF,3%,1.6kV,TP,28.5x18.5x | | C643 | 2401-000027 | C-AL:4.7uF,20%,50V,GP,TP,5x11,5 | |
| C407 | 2301-001338 | C-FILM,MPE-PPF:0.68nF,5%,1.6kV,TP,28x7x1 | | C644 | 2202-000231 | C-CERAMIC,MLC-AXIAL:330pF,10%,50V,Y5P,TP | |
| C408 | 2305-000382 | C-FILM,MPEF:4.7nF,5%,400V,TP,-,5mm | | C645 | 2401-002235 | C-AL:10uF,20%,16V,GP,TP,5x11mm,5mm | |
| C409 | 2301-001268 | C-FILM,PPF:33nF,5%,630V,TP,20x11x17,7.5 | | C646 | 2305-000665 | C-FILM,MPEF:100nF,5%,63V,TP,7.5x4.0x5.0m | |
| C410 | 2301-000213 | C-FILM,PEF:220nF,5%,250V,TP,21.5x11,7.5 | | C647 | 2202-000286 | C-CERAMIC,MLC-AXIAL:56pF,5%,50V,SL,TP,1 | |
| C411 | 2301-000104 | C-FILM,PEF:1.2nF,5%,50V,TP,6.5x3.0x5.5mm | | C649 | 2301-000108 | C-FILM,PEF:1.2nF,5%,50V,TP,6.5x3.0x5.5mm | |
| C412 | 2301-000313 | C-FILM,PEF:8.2nF,5%,100V,TP,7x3.2x7mm,5m | | C652 | 2401-002235 | C-AL:10uF,20%,16V,GP,TP,5x11mm,5mm | |
| C413 | 2401-000493 | C-AL:10uF,20%,50V,LZ,TP,5x11mm,5mm | | C654 | 2201-000611 | C-CERAMIC,DISC:0.056nF,5%,50V,NPO,TP,7 | |
| C414 | 2401-002597 | C-AL:220uF,20%,35V,GP,TP,10x12.5,5 | | C656 | 2401-000304 | C-CERAMIC,DISC:0.001nF,0.25pF,50V,NPO,TP | |
| C415 | 2301-000445 | C-FILM,PEF:4.7nF,5%,50V,TP,5.5x7x3mm,5mm | | C657 | 2201-000304 | C-CERAMIC,DISC:0.001nF,0.25pF,50V,NPO,TP | |
| C416 | 2301-000224 | C-FILM,PEF:22nF,5%,50V,TP,7.4x3.9x13mm,5 | | C701 | 2202-000231 | C-CERAMIC,MLC-AXIAL:330pF,10%,50V,Y5P,TP | |
| C418 | 2401-002597 | C-AL:220uF,20%,35V,GP,TP,10x12.5,5 | | C702 | 2202-000231 | C-CERAMIC,MLC-AXIAL:330pF,10%,50V,Y5P,TP | |
| C419 | 2201-000599 | C-CERAMIC,DISC:0.56nF,10%,500V,Y5P,TP,5 | | C703 | 2202-000231 | C-CERAMIC,MLC-AXIAL:330pF,10%,50V,Y5P,TP | |
| C420 | 2301-001065 | C-FILM,MPPF:47nF,5%,630V,TP,19x15.5x7,7 | | C707 | 2401-001989 | C-AL:4.7uF,20%,50V,BP,TP,5x11,5 | |
| C421 | 2201-000556 | C-CERAMIC,DISC:0.47nF,10%,500V,Y5P,TP,5 | | C708 | 2401-002235 | C-AL:10uF,20%,16V,GP,TP,5x11mm,5mm | |
| C422 | 2401-001527 | C-AL:47uF,20%,250V,HR,TP,13x25mm,5m | | C803 | 2401-003576 | C-AL:470uF,20%,450V,GP,ST,35x45mm,1 | |
| C423 | 2301-001192 | C-FILM,MPPF:820nF,5%,400V,TP,29x18.5x25 | | C804 | 2201-000332 | C-CERAMIC,DISC:2.2nF,20%,250V,Y5U,TP,9x4 | |
| C424 | 2201-000132 | C-CERAMIC,DISC:0.1nF,10%,500V,Y5P,TP,6.5 | | C805 | 2201-000332 | C-CERAMIC,DISC:2.2nF,20%,250V,Y5U,TP,9x4 | |
| C425 | 2301-001259 | C-FILM,MPPF:100nF,5%,400V,TP,19x8x16,7.5 | | C807 | 2303-000163 | C-FILM,PPF:2.2nF,5%,800V,TP,15x13x8.5,7 | |
| C426 | 2306-000204 | C-FILM,MPPF:430nF,5%,400V,TP,26x20.5x12 | | C808 | 2401-003046 | C-AL:47uF,20%,50V,WT,TP,6.3x11,2.5 | |
| C427 | 2401-002267 | C-AL:2.2uF,20%,250V,GP,TP,8x11.5,5 | | C809 | 2301-000356 | C-FILM,PEF:47nF,5%,50V,TP,7.5x4.0x6.5,5m | |
| C429 | 2303-000163 | C-FILM,PPF:2.2nF,5%,800V,TP,15x13x8.5,7 | | C810 | 2301-000356 | C-FILM,PEF:47nF,5%,50V,TP,7.5x4.0x6.5,5m | |
| C501 | 2201-000247 | C-CERAMIC,DISC:0.015nF,5%,50V,NPO,TP,5x3 | | C811 | 2301-000310 | C-FILM,PEF:68nF,5%,50V,TP,8.0x8.5x4.0x5 | |
| C502 | 2305-000704 | C-FILM,MPEF:100nF,5%,250V,TP,16.5x10.3x5 | | C814 | 2201-000406 | C-CERAMIC,DISC:0.27nF,10%,2kV,Y5P,TP,6.3 | |
| C503 | 2201-000599 | C-CERAMIC,DISC:0.56nF,10%,500V,Y5P,TP,5 | | C815 | 2401-003026 | C-AL:330uF,20%,200V,GP,ST,22x35,10 | |
| C505 | 2305-000704 | C-FILM,MPEF:100nF,5%,250V,TP,16.5x10.3x5 | | C816 | 2401-000293 | C-AL:100uF,20%,25V,WT,TP,16x25 | |
| C506 | 2201-000599 | C-CERAMIC,DISC:0.56nF,10%,500V,Y5P,TP,5 | | C817 | 2201-000599 | C-CERAMIC,DISC:0.56nF,10%,500V,Y5P,TP,5 | |
| C507 | 2201-000247 | C-CERAMIC,DISC:0.015nF,5%,50V,NPO,TP,5x3 | | C818 | 2401-000722 | C-AL:2200uF,20%,25V,WT,TP,16x25,7.5 | |
| C508 | 2305-000704 | C-FILM,MPEF:100nF,5%,250V,TP,16.5x10.3x5 | | C819 | 2201-000599 | C-CERAMIC,DISC:0.56nF,10%,500V,Y5P,TP,5 | |
| C509 | 2201-000599 | C-CERAMIC,DISC:0.56nF,10%,500V,Y5P,TP,5 | | C821 | 2301-000192 | C-FILM,PEF:1nF,5%,50V,TP,5.3x10mm,5mm | |
| C510 | 2401-001563 | C-AL:47uF,20%,400V,GP,TP,16x25,7.5 | | C822 | 2201-000599 | C-CERAMIC,DISC:0.56nF,10%,500V,Y5P,TP,5 | |
| C511 | 2401-001232 | C-AL:4.7uF,20%,250V,GP,TP,10x12.5,5 | | C823 | 2401-003046 | C-AL:47uF,20%,50V,WT,TP,6.3x11,2.5 | |
| C512 | 2401-000914 | C-AL:22uF,20%,16V,GP,TP,5x11,5 | | C824 | 2401-003046 | C-AL:47uF,20%,50V,WT,TP,6.3x11,2.5 | |
| C513 | 2201-002063 | C-CERAMIC,DISC:10nF,+80-20%,3KV,Y5V,TP,1 | | C825 | 2305-000665 | C-FILM,MPEF:100nF,5%,63V,TP,7.5x4.0x5.0m | |
| C514 | 2401-000430 | C-AL:10uF,20%,250V,GP,TP,10x16mm,5m | | C826 | 2401-000287 | C-AL:100uF,20%,16V,WT,TP,6.3x11,5 | |
| C515 | 2401-000914 | C-AL:22uF,20%,16V,GP,TP,5x11,5 | | C827 | 2401-002212 | C-AL:10uF,20%,25V,WT,TP,5x11,5 | |
| C516 | 2301-000192 | C-FILM,PEF:1nF,5%,50V,TP,5.3x10mm,5mm | | C829 | 2305-000665 | C-FILM,MPEF:100nF,5%,63V,TP,7.5x4.0x5.0m | |
| C518 | 2301-000224 | C-FILM,PEF:22nF,5%,50V,TP,7.4x3.9x13mm,5 | | C831 | 2305-000665 | C-FILM,MPEF:100nF,5%,63V,TP,7.5x4.0x5.0m | |
| C519 | 2301-000224 | C-FILM,PEF:22nF,5%,50V,TP,7.4x3.9x13mm,5 | | C832 | 2401-001840 | C-AL:100uF,20%,16V,GP,TP,6.3x11,5 | |
| C520 | 2301-000224 | C-FILM,PEF:22nF,5%,50V,TP,7.4x3.9x13mm,5 | | C833 | 2401-002619 | C-AL:47uF,20%,25V,GP,TP,5x11,5 | |
| C521 | 2301-000224 | C-FILM,PEF:22nF,5%,50V,TP,7.4x3.9x13mm,5 | | C835 | 2401-002289 | C-AL:470uF,20%,35V,WT,TP,10x20,5 | |
| C522 | 2301-000224 | C-FILM,PEF:22nF,5%,50V,TP,7.4x3.9x13mm,5 | | C837 | 2305-000665 | C-FILM,MPEF:100nF,5%,63V,TP,7.5x4.0x5.0m | |
| C523 | 2301-000224 | C-FILM,PEF:22nF,5%,50V,TP,7.4x3.9x13mm,5 | | C838 | 2401-001840 | C-AL:100uF,20%,16V,GP,TP,6.3x11,5 | |
| C526 | 2401-000914 | C-AL:22uF,20%,16V,GP,TP,5x11,5 | | C839 | 2305-000665 | C-FILM,MPEF:100nF,5%,63V,TP,7.5x4.0x5.0m | |
| C601 | 2201-000558 | C-CERAMIC,DISC:0.47nF,10%,50V,Y5P,TP,5x3 | | C840 | 2401-002212 | C-AL:10uF,20%,25V,WT,TP,5x11,5 | |
| C603 | 2401-002235 | C-AL:10uF,20%,16V,GP,TP,5x11mm,5mm | | C841 | 2401-000611 | C-AL:1uF,20%,50V,WT,TP,5x11,5 | |
| C604 | 2401-000603 | C-AL:1uF,20%,50V,GP,TP,5x11,5 | | C901 | 2202-002037 | C-CERAMIC,MLC-AXIAL:100nF,80-20%,50V,Y5V | |
| C605 | 2305-000665 | C-FILM,MPEF:100nF,5%,63V,TP,7.5x4.0x5.0m | | C902 | 2301-000192 | C-FILM,PEF:1nF,5%,50V,TP,5.3x10mm,5mm | |
| C607 | 2202-000796 | C-CERAMIC,MLC-AXIAL:1nF,10%,50V,Y5P,TP,3 | | C905 | 2202-000796 | C-CERAMIC,MLC-AXIAL:1nF,10%,50V,Y5P,TP,3 | |
| C608 | 2202-000796 | C-CERAMIC,MLC-AXIAL:1nF,10%,50V,Y5P,TP,3 | | C907 | 2305-000412 | C-FILM,MPEF:470nF,5%,63V,TP,-,5mm | |
| C610 | 2301-000445 | C-FILM,PEF:4.7nF,5%,50V,TP,5.5x7x3mm,5mm | | C908 | 2202-000863 | C-CERAMIC,MLC-AXIAL:560pF,10%,50V,Y5P,TP | |
| C611 | 2301-000445 | C-FILM,PEF:4.7nF,5%,50V,TP,5.5x7x3mm,5mm | | C909 | 2301-000383 | C-FILM,PEF:10nF,5%,50V,TP,6x7x3.2mm,5mm | |
| C612 | 2401-001914 | C-AL:1uF,20%,50V,BP,TP,5x11,5 | | C910 | 2201-000980 | C-CERAMIC,DISC:0.03nF,5%,50V,NPO,TP,5x3 | |
| C613 | 2401-001914 | C-AL:1uF,20%,50V,BP,TP,5x11,5 | | C911 | 2201-000980 | C-CERAMIC,DISC:0.03nF,5%,50V,NPO,TP,5x3 | |
| C617 | 2401-000493 | C-AL:10uF,20%,50V,LZ,TP,5x11mm,5mm | | C912 | 2401-000027 | C-AL:4.7uF,20%,50V,GP,TP,5x11,5 | |
| C620 | 2305-000665 | C-FILM,MPEF:100nF,5%,63V,TP,7.5x4.0x5.0m | | C913 | 2401-001840 | C-AL:100uF,20%,16V,GP,TP,6.3x11,5 | |

Electrical Parts List

| Loc. No. | Code No. | Description ; Specification | Remark | Loc. No. | Code No. | Description ; Specification | Remark |
|----------|-------------|--|--------|----------|---|--|--------|
| C914 | 2305-000665 | C-FILM,MPEF:100nF,5%,63V,TP,7.5x4.0x5.0m | | D804 | 0401-000005 | DIODE-SWITCHING:1N4148,100V,200MA,DO-35, | |
| C915 | 2401-001840 | C-AL:100uF,20%,16V,GP,TP,6.3x11,5 | | D808 | 0402-000132 | DIODE-RECTIFIER:1N4004,400V,1A,DO-41,TP | |
| C916 | 2305-000665 | C-FILM,MPEF:100nF,5%,63V,TP,7.5x4.0x5.0m | | D810 | 0402-000132 | DIODE-RECTIFIER:1N4004,400V,1A,DO-41,TP | |
| C917 | 2401-000493 | C-AL:10uF,20%,50V,LZ,TP,5x11mm,5mm | | D811 | 0402-000132 | DIODE-RECTIFIER:1N4004,400V,1A,DO-41,TP | |
| C918 | 2401-001840 | C-AL:100uF,20%,16V,GP,TP,6.3x11,5 | | D816 | 0402-000546 | DIODE-RECTIFIER:TVR10G,400V,1.0A,DO-41,T | |
| C919 | 2202-002037 | C-CERAMIC,MLC-AXIAL:100nF,80-20%,50V,Y5V | | D901 | 0404-000156 | DIODE-SCHOTTKY:RB441Q,10V,100mA,DO-34,TP | |
| C920 | 2401-002235 | C-AL:10uF,20%,16V,GP,TP,5x11mm,5mm | | D902 | 0404-000156 | DIODE-SCHOTTKY:RB441Q,10V,100mA,DO-34,TP | |
| C921 | 2202-002037 | C-CERAMIC,MLC-AXIAL:100nF,80-20%,50V,Y5V | | D903 | 0404-000156 | DIODE-SCHOTTKY:RB441Q,10V,100mA,DO-34,TP | |
| C922 | 2202-002037 | C-CERAMIC,MLC-AXIAL:100nF,80-20%,50V,Y5V | | D904 | 0404-000156 | DIODE-SCHOTTKY:RB441Q,10V,100mA,DO-34,TP | |
| C923 | 2202-000263 | C-CERAMIC,MLC-AXIAL:470pF,10%,50V,Y5P,TP | | D905 | 0404-000156 | DIODE-SCHOTTKY:RB441Q,10V,100mA,DO-34,TP | |
| CF01 | 2201-000179 | C-CERAMIC,DISC:10nF,10%,50V,Y5V,TP,6.5x3 | | D906 | 0401-000005 | DIODE-SWITCHING:1N4148,100V,200MA,DO-35, | |
| CF02 | 2301-000192 | C-FILM,PEF:1nF,5%,50V,TP,5.3x10mm,5mm | | D907 | 0402-000132 | DIODE-RECTIFIER:1N4004,400V,1A,DO-41,TP | |
| CF03 | 2201-000376 | C-CERAMIC,DISC:0.22nF,5%,50V,SL,TP,6.3x3 | | D909 | 0401-000005 | DIODE-SWITCHING:1N4148,100V,200MA,DO-35, | |
| CF04 | 2201-000653 | C-CERAMIC,DISC:0.068nF,5%,50V,SL,TP,5x3, | | DF01 | 0401-000005 | DIODE-SWITCHING:1N4148,100V,200MA,DO-35, | |
| CF05 | 2301-000261 | C-FILM,PEF:4.7nF,5%,100V,TP,10.5x12.5x6. | | DF02 | 0402-001105 | DIODE-RECTIFIER:ERB43-04SV1,400V,1.0A,-, | |
| CF06 | 2201-000516 | C-CERAMIC,DISC:4.7nF,+100-0%,500V,Y5U,TP | | DF03 | 0402-001105 | DIODE-RECTIFIER:ERB43-04SV1,400V,1.0A,-, | |
| CF07 | 2305-000704 | C-FILM,MPEF:100nF,5%,250V,TP,16.5x10.3x5 | | DF04 | 0401-000005 | DIODE-SWITCHING:1N4148,100V,200MA,DO-35, | |
| CF08 | 2201-000604 | C-CERAMIC,DISC:0.056nF,+100-0%,500V,SL,T | | DG01 | 0401-000005 | DIODE-SWITCHING:1N4148,100V,200MA,DO-35, | |
| CF10 | 2401-001840 | C-AL:100uF,20%,16V,GP,TP,6.3x11,5 | | DZ201 | 0403-000508 | DIODE-ZENER:MTZJ5.6B,5.6V,5.45-5.73V,500 | |
| CF11 | 2401-000927 | C-AL:22uF,20%,250V,GP,TP,13x20,5 | | DZ202 | 0403-000508 | DIODE-ZENER:MTZJ5.6B,5.6V,5.45-5.73V,500 | |
| CF12 | 2401-001840 | C-AL:100uF,20%,16V,GP,TP,6.3x11,5 | | DZ203 | 0403-001321 | DIODE-ZENER:MTZJ6.8C,6.66-7.01V,500mW,DO | |
| CF14 | 2401-000832 | C-AL:220uF,20%,25V,GP,TP,8x11.5,5 | | DZ302 | 0403-001329 | DIODE-ZENER:MTZJ24B,22.61-23.77V,500mW,D | |
| CG01 | 2401-000832 | C-AL:220uF,20%,25V,GP,TP,8x11.5,5 | | DZ303 | 0403-001329 | DIODE-ZENER:MTZJ24B,22.61-23.77V,500mW,D | |
| CG02 | 2305-000149 | C-FILM,MPEF:100nF,5%,100V,TP,12x12.5x6.5 | | DZ304 | 0403-001329 | DIODE-ZENER:MTZJ24B,22.61-23.77V,500mW,D | |
| CG03 | 2401-000493 | C-AL:10uF,20%,50V,LZ,TP,5x11mm,5mm | | DZ305 | 0403-001221 | DIODE-ZENER:UZ39BSB,35.36-37.19V,500mW,D | |
| CG04 | 2401-000832 | C-AL:220uF,20%,25V,GP,TP,8x11.5,5 | | DZ306 | 0403-000700 | DIODE-ZENER:TZP33A,33V,31-35V,1W,DO-41,T | |
| CN302 | 3711-002645 | CONNECTOR-HEADER:BOX,6P,1R,2.5MM,STRAIGH | | DZ401 | 0403-001325 | DIODE-ZENER:MTZJ15C,14.35-15.09V,500mW,D | |
| CN501 | 3711-002641 | CONNECTOR-HEADER:BOX,10P,1R,2.54mm,STRAI | | DZ402 | 0401-000005 | DIODE-SWITCHING:1N4148,100V,200MA,DO-35, | |
| CN502 | 3711-002646 | CONNECTOR-HEADER:BOX,7P,1R,2.5mm,STRAIGH | | DZ503 | 0403-001211 | DIODE-ZENER:MTZJ12B,11.44-12.03V,500mW,D | |
| CN502A | 3711-002646 | CONNECTOR-HEADER:BOX,7P,1R,2.5mm,STRAIGH | | DZ504 | 0403-001325 | DIODE-ZENER:MTZJ15C,14.35-15.09V,500mW,D | |
| CN602 | 3711-002644 | CONNECTOR-HEADER:BOX,5P,1R,2.5mm,STRAIGH | | DZ505 | 0403-001325 | DIODE-ZENER:MTZJ15C,14.35-15.09V,500mW,D | |
| CN702 | 3711-002647 | CONNECTOR-HEADER:BOX,8P,1R,2.5mm,STRAIGH | | DZ601 | 0403-000508 | DIODE-ZENER:MTZJ5.6B,5.6V,5.45-5.73V,500 | |
| CN704 | 3711-002646 | CONNECTOR-HEADER:BOX,7P,1R,2.5mm,STRAIGH | | DZ602 | 0403-000720 | DIODE-ZENER:MTZJ9.1B,9.1V,8.57-9.01V,500 | |
| CN901 | 3711-002644 | CONNECTOR-HEADER:BOX,5P,1R,2.5mm,STRAIGH | | DZ603 | 0403-000508 | DIODE-ZENER:MTZJ5.6B,5.6V,5.45-5.73V,500 | |
| CN902 | 3711-003043 | CONNECTOR-HEADER:BOX,4P,1R,2.5mm,STRAIGH | | DZ801 | 0403-001322 | DIODE-ZENER:MTZJ8.2B,7.78-8.19V,500mW,DO | |
| CNF01 | 3711-002642 | CONNECTOR-HEADER:BOX,3P,1R,2.5MM,STRAIGH | | DZ802 | 0403-000508 | DIODE-ZENER:MTZJ5.6B,5.6V,5.45-5.73V,500 | |
| CNG01 | 3711-002643 | CONNECTOR-HEADER:BOX,4P,1R,2.5MM,STRAIGH | | DZ803 | 0403-001167 | DIODE-ZENER:MTZJ30D,30V,29.02-30.51V,500 | |
| CW901 | 2503-000156 | C-NETWORK:100pF,20%,50V | | DZ804 | 0403-000700 | DIODE-ZENER:TZP33A,33V,31-35V,1W,DO-41,T | |
| △CX801S | 2306-000318 | C-FILM,MPPF:220nF,20%,250V,TP,-,22.5mm | | DZ805 | 1203-001217 | IC-POSI.ADJUST REG.:431,TO-92,3P,4.58MIL | |
| △CX802S | 2306-000318 | C-FILM,MPPF:220nF,20%,250V,TP,-,22.5mm | | DZ806 | 0403-000508 | DIODE-ZENER:MTZJ5.6B,5.6V,5.45-5.73V,500 | |
| △CY802S | 2201-002002 | C-CERAMIC,DISC:4.7nF,20%,400V,Y5U,TP,16x | | DZ808 | 0403-000719 | DIODE-ZENER:MTZJ7.5B,7.5V,7.07-7.45V,500 | |
| D201 | 0401-000005 | DIODE-SWITCHING:1N4148,100V,200MA,DO-35, | | DZ902 | 0403-000508 | DIODE-ZENER:MTZJ5.6B,5.6V,5.45-5.73V,500 | |
| D202 | 0401-000005 | DIODE-SWITCHING:1N4148,100V,200MA,DO-35, | | DZ903 | 0403-000508 | DIODE-ZENER:MTZJ5.6B,5.6V,5.45-5.73V,500 | |
| D203 | 0404-000156 | DIODE-SCHOTTKY:RB441Q,10V,100mA,DO-34,TP | | DZ904 | 0403-000508 | DIODE-ZENER:MTZJ5.6B,5.6V,5.45-5.73V,500 | |
| D204 | 0404-000156 | DIODE-SCHOTTKY:RB441Q,10V,100mA,DO-34,TP | | DZ905 | 0403-000508 | DIODE-ZENER:MTZJ5.6B,5.6V,5.45-5.73V,500 | |
| D205 | 0404-000156 | DIODE-SCHOTTKY:RB441Q,10V,100mA,DO-34,TP | | DZ906 | 0403-000508 | DIODE-ZENER:MTZJ5.6B,5.6V,5.45-5.73V,500 | |
| D206 | 0404-000156 | DIODE-SCHOTTKY:RB441Q,10V,100mA,DO-34,TP | | DZ907 | 0403-000508 | DIODE-ZENER:MTZJ5.6B,5.6V,5.45-5.73V,500 | |
| D207 | 0401-000005 | DIODE-SWITCHING:1N4148,100V,200MA,DO-35, | | DZF01 | 0403-001039 | DIODE-ZENER:MA2560,56V,52-60V,1W,DO-41,T | |
| D208 | 0401-000005 | DIODE-SWITCHING:1N4148,100V,200MA,DO-35, | | DZF02 | 0403-001039 | DIODE-ZENER:MA2560,56V,52-60V,1W,DO-41,T | |
| D209 | 0401-000005 | DIODE-SWITCHING:1N4148,100V,200MA,DO-35, | | F801A | 3602-000114 | FUSE-HOLDER:-,30mohm | |
| D210 | 0401-000005 | DIODE-SWITCHING:1N4148,100V,200MA,DO-35, | | F801B | 3602-000114 | FUSE-HOLDER:-,30mohm | |
| D211 | 0401-000005 | DIODE-SWITCHING:1N4148,100V,200MA,DO-35, | | △FA802S | 3601-001086 | FUSE-AXIAL LEAD:125V,5A,FAST-ACTING,GLAS | |
| D301 | 0402-000546 | DIODE-RECTIFIER:TVR10G,400V,1.0A,DO-41,T | | △FA803S | 3601-001228 | FUSE-AXIAL LEAD:125V,10A,FAST-ACTING,EPO | |
| D401 | 0402-000540 | DIODE-RECTIFIER:RU20A,600V,1.5A,-,TP | | △FP801S | 3601-000297 | FUSE-CARTRIDGE:250V,5A,TIME-LAG,GLASS,5. | |
| D402 | 0402-000534 | DIODE-RECTIFIER:RG10V,400V,1.2A,DO-201,T | | HC401 | 0402-001296 | DIODE-RECTIFIER:FMP-3FU,1.5KV,5A,TO-3PF, | H/SINK |
| D403 | 0402-000132 | DIODE-RECTIFIER:1N4004,400V,1A,DO-41,TP | | HC401 | 0502-001136 | TR-POWER:KSD5703,NPN,70W,TO-3PF,ST-8- | H/SINK |
| D404 | 0402-000540 | DIODE-RECTIFIER:RU20A,600V,1.5A,-,TP | | HC801 | 0402-000233 | DIODE-RECTIFIER:FML-G12S,200V,5A,-, | H/SINK |
| D405 | 0402-000493 | DIODE-RECTIFIER:1R5GU41,400V,1.5A,DO-15L | | HC801 | 0402-001230 | DIODE-RECTIFIER:FMG-G2CS,1000V,3A,TO-220 | H/SINK |
| D406 | 0402-000132 | DIODE-RECTIFIER:1N4004,400V,1A,DO-41,TP | | HC801 | 1203-001006 | IC-VOLTAGE REGULATOR:78R05,TO-220F,4P,-, | H/SINK |
| D407 | 0402-000132 | DIODE-RECTIFIER:1N4004,400V,1A,DO-41,TP | | HIC201 | AA13-00093A IC HYBRID:-,DRGB001A,SIP5P,-,TP | | |
| D408 | 0402-000493 | DIODE-RECTIFIER:1R5GU41,400V,1.5A,DO-15L | | HIC202 | AA13-00093A IC HYBRID:-,DRGB001A,SIP5P,-,TP | | |
| D409 | 0402-000540 | DIODE-RECTIFIER:RU20A,600V,1.5A,-,TP | | HIC203 | AA13-00093A IC HYBRID:-,DRGB001A,SIP5P,-,TP | | |
| D411 | 0402-000546 | DIODE-RECTIFIER:TVR10G,400V,1.0A,DO-41,T | | HIC204 | AA13-00093A IC HYBRID:-,DRGB001A,SIP5P,-,TP | | |
| D412 | 0402-000010 | DIODE-RECTIFIER:RGP15G,400V,1.5A,DO-204A | | △IC201S | 1204-001633 | IC-VIDEO PROCESS:VDP3112B-C3,DIP,64P,709 | |
| D413 | 0402-000537 | DIODE-RECTIFIER:RH1A,600V,0.6A,DO-204AC | | △IC301 | 1204-000517 | IC-VERTICAL DEF.:LA7845,SIP,7P,-,PLASTIC | H/SINK |
| D502 | 0402-000132 | DIODE-RECTIFIER:1N4004,400V,1A,DO-41,TP | | △IC401 | 1202-000103 | IC-VOLTAGE COMP:393,DIP,8P,300MIL,DUAL, | |
| D507 | 0402-001105 | DIODE-RECTIFIER:ERB43-04SV1,400V,1.0A,-, | | △IC601 | 1204-001596 | IC-SOUND PROCESSOR:MSP3400D-B4,SDIP,52P, | |
| D508 | 0402-001105 | DIODE-RECTIFIER:ERB43-04SV1,400V,1.0A,-, | | △IC602 | 1201-001064 | IC-POWER AMP:7297,2IP,15P,-,DUAL,32DB,PL | H/SINK |
| D509 | 0402-001105 | DIODE-RECTIFIER:ERB43-04SV1,400V,1.0A,-, | | △IC801S | 1203-001482 | IC-PWM CONTROLLER:3S1265R,TO-3P,5P,210,P | H/SINK |
| D510 | 0402-001105 | DIODE-RECTIFIER:ERB43-04SV1,400V,1.0A,-, | | △IC803 | 1203-001697 | IC-VOLTAGE REGULATOR:78R08,TO-220,4P,-,P | |
| D511 | 0402-001105 | DIODE-RECTIFIER:ERB43-04SV1,400V,1.0A,-, | | △IC804 | 1203-000284 | IC-POSI.FIXED REG.:7806,TO-220,3P,-,PLAS | H/SINK |
| D512 | 0402-001105 | DIODE-RECTIFIER:ERB43-04SV1,400V,1.0A,-, | | △IC902 | 1103-001171 | IC-EEPROM:24L161,16KBIT,DIP,8P,300MIL,10 | |
| D601 | 0401-000005 | DIODE-SWITCHING:1N4148,100V,200MA,DO-35, | | △IC904 | 1203-001943 | IC-VOL. DETECTOR:7025,TO-92,3P,-,PLASTIC | |
| D602 | 0401-000005 | DIODE-SWITCHING:1N4148,100V,200MA,DO-35, | | J706 | 2701-000114 | INDUCTOR-AXIAL:10uH,10%,2.5x3.4mm | |
| D801 | 0402-001111 | DIODE-RECTIFIER:1N5397GP,600V,1.5A,DO-20 | | J718 | 2701-000114 | INDUCTOR-AXIAL:10uH,10%,2.5x3.4mm | |
| △D801S | 0402-000549 | DIODE-BRIDGE:RBV606,600V,6A,-,BK | H/SINK | J901 | 3301-000287 | CORE-FERRITE BEAD:AA,3.5x1.0x6.0mm,1500, | |
| D803 | 0402-000546 | DIODE-RECTIFIER:TVR10G,400V,1.0A,DO-41,T | | J904 | 2001-000281 | R-CARBON:100OHM,5%,1/8W,AA,TP,1.8X3.2MM | |

| Loc. No. | Code No. | Description ; Specification | Remark | Loc. No. | Code No. | Description ; Specification | Remark |
|----------|-------------|---|--------|----------|-------------|--|--------|
| JA501 | 3722-001503 | JACK-PIN:1P1PI,NI,RED,SCR-JACK | | Q903 | 0501-000389 | TR-SMALL SIGNAL:KSC815,NPN,400mW,TO-92,T | |
| L102 | 2701-000200 | INDUCTOR-AXIAL:5.6uH,10%,4.2x9.8mm | | Q904 | 0501-000389 | TR-SMALL SIGNAL:KSC815,NPN,400mW,TO-92,T | |
| L103 | 2701-000115 | INDUCTOR-AXIAL:10uH,10%,3x7mm | | Q905 | 0501-000389 | TR-SMALL SIGNAL:KSC815,NPN,400mW,TO-92,T | |
| L201 | 2701-000114 | INDUCTOR-AXIAL:10uH,10%,2.5x3.4mm | | Q906 | 0501-000389 | TR-SMALL SIGNAL:KSC815,NPN,400mW,TO-92,T | |
| L202 | 2701-000114 | INDUCTOR-AXIAL:10uH,10%,2.5x3.4mm | | Q908 | 0501-000389 | TR-SMALL SIGNAL:KSC815,NPN,400mW,TO-92,T | |
| L204 | 2701-000184 | INDUCTOR-AXIAL:4.7uH,10%,2.5x3.4mm | | Q909 | 0505-000109 | FET-SILICON:2N7000,N,60V,200mA,5ohm,400m | |
| L207 | 3301-000287 | CORE-FERRITE BEAD:AA,3.5x1.0x6.0mm,1500, | | Q910 | 0505-000109 | FET-SILICON:2N7000,N,60V,200mA,5ohm,400m | |
| L208 | 2701-000168 | INDUCTOR-AXIAL:3.3uH,5%,2.5x3.4mm | | QF01 | 0501-000389 | TR-SMALL SIGNAL:KSC815,NPN,400mW,TO-92,T | |
| L209 | 2701-000168 | INDUCTOR-AXIAL:3.3uH,5%,2.5x3.4mm | | QF02 | 0501-000389 | TR-SMALL SIGNAL:KSC815,NPN,400mW,TO-92,T | |
| L210 | 2701-000168 | INDUCTOR-AXIAL:3.3uH,5%,2.5x3.4mm | | QF03 | 0501-000369 | TR-SMALL SIGNAL:KSC2331-Y,NPN,1W,TO-92L, | |
| L212 | 2701-000168 | INDUCTOR-AXIAL:3.3uH,5%,2.5x3.4mm | | QG01 | 0501-000283 | TR-SMALL SIGNAL:KSA539,PNP,400mW,TO-92,T | |
| L301 | 2701-000114 | INDUCTOR-AXIAL:10uH,10%,2.5x3.4mm | | QG02 | 0502-000244 | TR-POWER:KSA940,PNP,1.5W,TO-220,-40-14 | |
| L302 | 3301-000287 | CORE-FERRITE BEAD:AA,3.5x1.0x6.0mm,1500, | | QG03 | 0502-001007 | TR-POWER:KSC2073-H2,NPN,25W,TO-220,ST,6 | |
| L303 | 3301-000287 | CORE-FERRITE BEAD:AA,3.5x1.0x6.0mm,1500, | | R102 | 2001-000281 | R-CARBON:1000HM,5%,1/8W,AA,TP,1.8X3.2MM | |
| L401 | 2001-001038 | R-CARBON(S):0.560HM,5%,1/2W,AA,TP,2.4X6. | | R103 | 2001-000281 | R-CARBON:1000HM,5%,1/8W,AA,TP,1.8X3.2MM | |
| L406 | 2701-000114 | INDUCTOR-AXIAL:10uH,10%,2.5x3.4mm | | R105 | 2001-000702 | R-CARBON:39KOHM,5%,1/8W,AA,TP,1.8X3.2MM | |
| L407 | 2901-000297 | FILTER-EMI ON BOARD:-,3A,-,-,3.5x5,TP,- | | R106 | 2001-000864 | R-CARBON:56KOHM,5%,1/8W,AA,TP,1.8X3.2MM | |
| L410 | 3301-000287 | CORE-FERRITE BEAD:AA,3.5x1.0x6.0mm,1500, | | R202 | 2001-000290 | R-CARBON:10KOHM,5%,1/8W,AA,TP,1.8X3.2MM | |
| L412 | 3301-000287 | CORE-FERRITE BEAD:AA,3.5x1.0x6.0mm,1500, | | R203 | 2001-000281 | R-CARBON:1000HM,5%,1/8W,AA,TP,1.8X3.2MM | |
| L501 | 2701-000178 | INDUCTOR-AXIAL:33uH,10%,3x7mm | | R204 | 2001-000281 | R-CARBON:1000HM,5%,1/8W,AA,TP,1.8X3.2MM | |
| L503 | 2901-000297 | FILTER-EMI ON BOARD:-,3A,-,-,3.5x5,TP,- | | R205 | 2001-000290 | R-CARBON:10KOHM,5%,1/8W,AA,TP,1.8X3.2MM | |
| L504 | 2901-000297 | FILTER-EMI ON BOARD:-,3A,-,-,3.5x5,TP,- | | R206 | 2001-000290 | R-CARBON:10KOHM,5%,1/8W,AA,TP,1.8X3.2MM | |
| L505 | 3301-000287 | CORE-FERRITE BEAD:AA,3.5x1.0x6.0mm,1500, | | R207 | 2001-000221 | R-CARBON:1.2KOHM,5%,1/8W,AA,TP,1.8X3.2MM | |
| L601 | 2901-000297 | FILTER-EMI ON BOARD:-,3A,-,-,3.5x5,TP,- | | R208 | 2001-000405 | R-CARBON:1800HM,5%,1/8W,AA,TP,1.8X3.2MM | |
| L604 | 2701-000169 | INDUCTOR-AXIAL:3.9uH,10%,2.5x3.4mm | | R209 | 2001-000429 | R-CARBON:1KOHM,5%,1/8W,AA,TP,1.8X3.2MM | |
| L605 | 2701-000177 | INDUCTOR-AXIAL:33uH,10%,2.5x3.4mm | | R210 | 2001-000812 | R-CARBON:5.6KOHM,5%,1/8W,AA,TP,1.8X3.2M | |
| L606 | 2701-000177 | INDUCTOR-AXIAL:33uH,10%,2.5x3.4mm | | R212 | 2004-000218 | R-METAL:10Kohm,1%,1/8W,AA,TP,1.8x3.2mm | |
| L607 | 2701-000177 | INDUCTOR-AXIAL:33uH,10%,2.5x3.4mm | | R213 | 2001-000232 | R-CARBON:1.3KOHM,5%,1/8W,AA,TP,1.8X3.2M | |
| L608 | 2701-000177 | INDUCTOR-AXIAL:33uH,10%,2.5x3.4mm | | R214 | 2001-000411 | R-CARBON:18KOHM,5%,1/8W,AA,TP,1.8X3.2MM | |
| L609 | 2901-000297 | FILTER-EMI ON BOARD:-,3A,-,-,3.5x5,TP,- | | R215 | 2001-000522 | R-CARBON:22KOHM,5%,1/8W,AA,TP,1.8X3.2MM | |
| L701 | 2701-000177 | INDUCTOR-AXIAL:33uH,10%,2.5x3.4mm | | R216 | 2001-000429 | R-CARBON:1KOHM,5%,1/8W,AA,TP,1.8X3.2MM | |
| L702 | 2701-000177 | INDUCTOR-AXIAL:33uH,10%,2.5x3.4mm | | R223 | 2001-000003 | R-CARBON:330ohm,5%,1/8W,AA,TP,1.8x3.2mm | |
| L705 | 2701-000177 | INDUCTOR-AXIAL:33uH,10%,2.5x3.4mm | | R224 | 2001-000780 | R-CARBON:4700HM,5%,1/8W,AA,TP,1.8X3.2MM | |
| L706 | 2701-000177 | INDUCTOR-AXIAL:33uH,10%,2.5x3.4mm | | R225 | 2001-000780 | R-CARBON:4700HM,5%,1/8W,AA,TP,1.8X3.2MM | |
| L709 | 2701-000168 | INDUCTOR-AXIAL:3.3uH,5%,2.5x3.4mm | | R226 | 2001-000780 | R-CARBON:4700HM,5%,1/8W,AA,TP,1.8X3.2MM | |
| L710 | 2701-000168 | INDUCTOR-AXIAL:3.3uH,5%,2.5x3.4mm | | R228 | 2001-000117 | R-CARBON(S):680HM,5%,1/2W,AA,TP,2.4X6.4M | |
| L711 | 2701-000114 | INDUCTOR-AXIAL:10uH,10%,2.5x3.4mm | | R231 | 2001-000281 | R-CARBON:1000HM,5%,1/8W,AA,TP,1.8X3.2MM | |
| L801 | 3301-001223 | CORE-FERRITE BEAD:AA,62ohm,3.5x0.8x5mm,- | | R232 | 2001-000281 | R-CARBON:1000HM,5%,1/8W,AA,TP,1.8X3.2MM | |
| L802 | 3301-000287 | CORE-FERRITE BEAD:AA,3.5x1.0x6.0mm,1500, | | R234 | 2001-000429 | R-CARBON:1KOHM,5%,1/8W,AA,TP,1.8X3.2MM | |
| L803 | 3301-000287 | CORE-FERRITE BEAD:AA,3.5x1.0x6.0mm,1500, | | R235 | 2001-000429 | R-CARBON:1KOHM,5%,1/8W,AA,TP,1.8X3.2MM | |
| L804 | 3301-000287 | CORE-FERRITE BEAD:AA,3.5x1.0x6.0mm,1500, | | R236 | 2001-000515 | R-CARBON:2200HM,5%,1/8W,AA,TP,1.8X3.2MM | |
| L806 | 3301-001223 | CORE-FERRITE BEAD:AA,62ohm,3.5x0.8x5mm,- | | R237 | 2001-000515 | R-CARBON:2200HM,5%,1/8W,AA,TP,1.8X3.2MM | |
| L807 | 2901-000297 | FILTER-EMI ON BOARD:-,3A,-,-,3.5x5,TP,- | | R238 | 2001-000515 | R-CARBON:2200HM,5%,1/8W,AA,TP,1.8X3.2MM | |
| L809 | 3301-000287 | CORE-FERRITE BEAD:AA,3.5x1.0x6.0mm,1500, | | R241 | 2001-000362 | R-CARBON:1500HM,5%,1/8W,AA,TP,1.8X3.2MM | |
| L901 | 2702-001094 | INDUCTOR-RADIAL:10uH,10%,6x4mm | | R242 | 2001-000405 | R-CARBON:1800HM,5%,1/8W,AA,TP,1.8X3.2MM | |
| L902 | 2701-000184 | INDUCTOR-AXIAL:4.7uH,10%,2.5x3.4mm | | R243 | 2001-000290 | R-CARBON:10KOHM,5%,1/8W,AA,TP,1.8X3.2MM | |
| L903 | 2702-001094 | INDUCTOR-RADIAL:10uH,10%,6x4mm | | R244 | 2001-000786 | R-CARBON:47KOHM,5%,1/8W,AA,TP,1.8X3.2MM | |
| L904 | 2702-001094 | INDUCTOR-RADIAL:10uH,10%,6x4mm | | R245 | 2001-000290 | R-CARBON:10KOHM,5%,1/8W,AA,TP,1.8X3.2MM | |
| L905 | 2001-000995 | R-CARBON:8200HM,5%,1/8W,AA,TP,1.8X3.2MM | | R246 | 2001-000290 | R-CARBON:10KOHM,5%,1/8W,AA,TP,1.8X3.2MM | |
| L907 | 2701-000114 | INDUCTOR-AXIAL:10uH,10%,2.5x3.4mm | | R247 | 2001-000515 | R-CARBON:2200HM,5%,1/8W,AA,TP,1.8X3.2MM | |
| L908 | 2701-000191 | INDUCTOR-AXIAL:47uH,10%,2.5x3.4mm | | R248 | 2001-000003 | R-CARBON:330ohm,5%,1/8W,AA,TP,1.8x3.2mm | |
| L909 | 2701-000191 | INDUCTOR-AXIAL:47uH,10%,2.5x3.4mm | | R249 | 2001-000003 | R-CARBON:330ohm,5%,1/8W,AA,TP,1.8x3.2mm | |
| LF01 | 3301-000287 | CORE-FERRITE BEAD:AA,3.5x1.0x6.0mm,1500, | | R250 | 2001-000003 | R-CARBON:330ohm,5%,1/8W,AA,TP,1.8x3.2mm | |
| LF02 | 2701-000112 | INDUCTOR-AXIAL:100uH,10%,3x7mm | | R251 | 2001-000734 | R-CARBON:4.7KOHM,5%,1/8W,AA,TP,1.8X3.2M | |
| LF04 | 2901-000297 | FILTER-EMI ON BOARD:-,3A,-,-,3.5x5,TP,- | | R252 | 2001-000429 | R-CARBON:1KOHM,5%,1/8W,AA,TP,1.8X3.2MM | |
| LF05 | 2901-000297 | FILTER-EMI ON BOARD:-,3A,-,-,3.5x5,TP,- | | R301 | 2004-001397 | R-METAL(S):4.7Kohm,1%,1/2W,AA,TP,2.4x6.4 | |
| △ LX801S | AA29-00011A | FILTER LINE NOISE:CZ32W8,-,0.20MAX,1.5KV | | R302 | 2004-001984 | R-METAL(S):26.7Kohm,1%,1/2W,AA,TP,2.4x6. | |
| △ LX802S | AA29-00011A | FILTER LINE NOISE:CZ32W8,-,0.20MAX,1.5KV | | R303 | 2001-000016 | R-CARBON(S):10HM,5%,1/2W,AA,TP,2.4X6.4MM | |
| △ NT802S | 1404-001045 | THERMISTOR-NTC:4.7OHM,15%,2900K,35.0MMV,T | | R304 | 2008-000254 | R-FUSIBLE(S):0.68ohm,5%,2W,AF,TP,3.9x10m | |
| △ PC801S | 0604-001038 | PHOTO-COUPLER:TR,130-260%,200mW,DIP-4,ST | | R305 | 2003-002157 | R-METAL OXIDE:2200HM,5%,2W,AG,TP,6X16MM | |
| PCB | AA41-00210C | PCB-CRT:CS29A6,FR-1,1L,C,1.6T,330x245, | | R306 | 2003-002157 | R-METAL OXIDE:2200HM,5%,2W,AG,TP,6X16MM | |
| PCB | AA41-00168C | PCB-MAIN:KS3A,FR-1,1L,C,1.6T,330x245,-, | | R309 | 2001-000290 | R-CARBON:10KOHM,5%,1/8W,AA,TP,1.8X3.2MM | |
| △ PT801S | 1404-000002 | THERMISTOR-PTC:9ohm,20%,--,TR,RECT. | | R310 | 2001-000290 | R-CARBON:10KOHM,5%,1/8W,AA,TP,1.8X3.2MM | |
| Q201 | 0501-000389 | TR-SMALL SIGNAL:KSC815,NPN,400mW,TO-92,T | | R313 | 2004-001137 | R-METAL:6.8Kohm,1%,1/8W,AA,TP,1.8x3.2m | |
| Q202 | 0501-000389 | TR-SMALL SIGNAL:KSC815,NPN,400mW,TO-92,T | | R314 | 2004-001986 | R-METAL(S):35.7Kohm,1%,1/2W,AA,TP,2.4x6. | |
| Q203 | 0501-000389 | TR-SMALL SIGNAL:KSC815,NPN,400mW,TO-92,T | | R315 | 2004-004970 | R-METAL(S):62Kohm,1%,1/8W,AA,TP,1.8x3.2m | |
| Q204 | 0501-000389 | TR-SMALL SIGNAL:KSC815,NPN,400mW,TO-92,T | | R401 | 2003-002008 | R-METAL OXIDE(S):18Kohm,5%,2W,AF,TP,3.9x | |
| Q402 | 0502-001007 | TR-POWER:KSC2073-H2,NPN,25W,TO-220,ST,6 | | R402 | 2003-002008 | R-METAL OXIDE(S):18Kohm,5%,2W,AF,TP,3.9x | |
| Q404 | 0505-000156 | FET-SILICON:IRF620,N,200V,5A,0.8ohm,50W, | | R403 | 2003-001091 | R-METAL OXIDE(S):10ohm,5%,2W,AF,TP,4x12m | |
| Q502 | 0501-000283 | TR-SMALL SIGNAL:KSA539,PNP,400mW,TO-92,T | | R404 | 2001-001038 | R-CARBON(S):0.560HM,5%,1/2W,AA,TP,2.4X6. | |
| Q503 | 0501-000283 | TR-SMALL SIGNAL:KSA539,PNP,400mW,TO-92,T | | R405 | 2008-000253 | R-FUSIBLE(S):0.47ohm,5%,1W,AF,TP,3.9x10m | |
| Q504 | 0501-000283 | TR-SMALL SIGNAL:KSA539,PNP,400mW,TO-92,T | | R410 | 2003-002009 | R-METAL OXIDE(S):390ohm,5%,2W,AF,TP,3.9x | |
| Q601 | 0501-000389 | TR-SMALL SIGNAL:KSC815,NPN,400mW,TO-92,T | | R411 | 2003-002009 | R-METAL OXIDE(S):390ohm,5%,2W,AF,TP,3.9x | |
| Q701 | 0501-000389 | TR-SMALL SIGNAL:KSC815,NPN,400mW,TO-92,T | | R411 | 2001-000028 | R-CARBON(S):1000HM,5%,1/2W,AA,TP,2.4X6.4 | |
| Q802 | 0501-000369 | TR-SMALL SIGNAL:KSC2331-Y,NPN,1W,TO-92L, | | R412 | 2001-000020 | R-CARBON(S):220HM,5%,1/2W,AA,TP,2.4X6.4M | |
| Q901 | 0501-000389 | TR-SMALL SIGNAL:KSC815,NPN,400mW,TO-92,T | | R413 | 2008-001018 | R-FUSIBLE(S):0.47ohm,10%,2W,AF,TP,3.9x10 | |
| Q902 | 0501-000389 | TR-SMALL SIGNAL:KSC815,NPN,400mW,TO-92,T | | R414 | 2008-000253 | R-FUSIBLE(S):0.47ohm,5%,1W,AF,TP,3.9x10m | |

Electrical Parts List

| Loc. No. | Code No. | Description ; Specification | Remark | Loc. No. | Code No. | Description ; Specification | Remark |
|----------|-------------|---|--------|----------|-------------|---|--------|
| R415 | 2004-001402 | R-METAL(S):6.8Kohm,1%,1/2W,AA,TP,2.4x6.4 | | R716 | 2001-000290 | R-CARBON:10KOHM,5%,1/8W,AA,TP,1.8X3.2MM | |
| R417 | 2004-001382 | R-METAL(S):13Kohm,1%,1/2W,AA,TP,2.4x6.4m | | R717 | 2001-000702 | R-CARBON:39KOHM,5%,1/8W,AA,TP,1.8X3.2MM | |
| R418 | 2001-001088 | R-CARBON(S):1KOHM,5%,1/2W,AA,TP,2.4X6.4M | | R718 | 2001-000702 | R-CARBON:39KOHM,5%,1/8W,AA,TP,1.8X3.2MM | |
| R420 | 2004-001402 | R-METAL(S):6.8Kohm,1%,1/2W,AA,TP,2.4x6.4 | | R719 | 2001-000969 | R-CARBON:75OHM,5%,1/8W,AA,TP,1.8X3.2MM | |
| R421 | 2001-001093 | R-CARBON(S):2.2KOHM,5%,1/2W,AA,TP,2.4X6.4 | | R723 | 2001-000281 | R-CARBON:100OHM,5%,1/8W,AA,TP,1.8X3.2MM | |
| R422 | 2003-000649 | R-METAL OXIDE(S):330ohm,5%,1W,AF,TP,3.3x | | R724 | 2001-000734 | R-CARBON:4.7KOHM,5%,1/8W,AA,TP,1.8X3.2M | |
| R423 | 2003-001042 | R-METAL OXIDE(S):5.6Kohm,5%,2W,AF,TP,3.9 | | R725 | 2001-000734 | R-CARBON:4.7KOHM,5%,1/8W,AA,TP,1.8X3.2M | |
| R424 | 2008-001018 | R-FUSIBLE(S):0.47ohm,10%,2W,AF,TP,3.9x10 | | R726 | 2001-000429 | R-CARBON:1KOHM,5%,1/8W,AA,TP,1.8X3.2MM | |
| R425 | 2008-001018 | R-FUSIBLE(S):0.47ohm,10%,2W,AF,TP,3.9x10 | | R802 | 2003-001025 | R-METAL OXIDE(S):15Kohm,5%,2W,AF,TP,3.9x | |
| R426 | 2003-000540 | R-METAL OXIDE(S):1Kohm,5%,2W,AF,TP,4x12m | | R803 | 2003-001025 | R-METAL OXIDE(S):15Kohm,5%,2W,AF,TP,3.9x | |
| R428 | 2001-001150 | R-CARBON(S):470KOHM,5%,1/2W,AA,TP,2.4X6.4 | | R804 | 2003-001025 | R-METAL OXIDE(S):15Kohm,5%,2W,AF,TP,3.9x | |
| R429 | 2001-001139 | R-CARBON(S):39KOHM,5%,1/2W,AA,TP,2.4X6.4 | | R805 | 2001-001150 | R-CARBON(S):470KOHM,5%,1/2W,AA,TP,2.4X6.4 | |
| R432 | 2001-001122 | R-CARBON(S):3.9KOHM,5%,1/2W,AA,TP,2.4X6.4 | | R806 | 2001-001150 | R-CARBON(S):470KOHM,5%,1/2W,AA,TP,2.4X6.4 | |
| R433 | 2003-001042 | R-METAL OXIDE(S):5.6Kohm,5%,2W,AF,TP,3.9 | | R807 | 2006-001083 | R-CEMENT:120ohm,5%,5W,CJ,TP,14x10x27mm | |
| R434 | 2003-000664 | R-METAL OXIDE(S):33ohm,5%,2W,AF,TP,4x12m | | R808 | 2001-001079 | R-CARBON(S):150OHM,5%,1/2W,AA,TP,2.4X6.4M | |
| R436 | 2003-002008 | R-METAL OXIDE(S):18Kohm,5%,2W,AF,TP,3.9x | | R809 | 2001-000022 | R-CARBON(S):330OHM,5%,1/2W,AA,TP,2.4X6.4M | |
| R501 | 2001-000429 | R-CARBON:1KOHM,5%,1/8W,AA,TP,1.8X3.2MM | | R810 | 2001-001178 | R-CARBON(S):680OHM,5%,1/2W,AA,TP,2.4X6.4 | |
| R502 | 2001-001093 | R-CARBON(S):2.2KOHM,5%,1/2W,AA,TP,2.4X6.4 | | R811 | 2004-001408 | R-METAL(S):91Kohm,1%,1/2W,AA,TP,2.4x6.4m | |
| R503 | 2001-000085 | R-CARBON(S):100KOHM,5%,1/2W,AA,TP,2.4X6.4 | | R812 | 2001-000780 | R-CARBON:470OHM,5%,1/8W,AA,TP,1.8X3.2MM | |
| R504 | 2001-000515 | R-CARBON:220OHM,5%,1/8W,AA,TP,1.8X3.2MM | | R813 | 2001-001153 | R-CARBON(S):470OHM,5%,1/2W,AA,TP,2.4X6.4 | |
| R505 | 2002-001008 | R-COMPOSITION:1.8Kohm,10%,1/2W,AA,TP,3.7 | | R816 | 2001-000429 | R-CARBON:1KOHM,5%,1/8W,AA,TP,1.8X3.2MM | |
| R506 | 2001-000429 | R-CARBON:1KOHM,5%,1/8W,AA,TP,1.8X3.2MM | | R817 | 2001-000429 | R-CARBON:1KOHM,5%,1/8W,AA,TP,1.8X3.2MM | |
| R507 | 2001-001093 | R-CARBON(S):2.2KOHM,5%,1/2W,AA,TP,2.4X6.4 | | R818 | 2001-001113 | R-CARBON(S):270KOHM,5%,1/2W,AA,TP,2.4X6.4 | |
| R508 | 2001-000085 | R-CARBON(S):100KOHM,5%,1/2W,AA,TP,2.4X6.4 | | R819 | 2004-001983 | R-METAL(S):2.49Kohm,1%,1/2W,AA,TP,2.4X6.4 | |
| R509 | 2001-000515 | R-CARBON:220OHM,5%,1/8W,AA,TP,1.8X3.2MM | | R820 | 2001-001096 | R-CARBON(S):2.20HM,5%,1/2W,AA,TP,2.4X6.4 | |
| R510 | 2002-001008 | R-COMPOSITION:1.8Kohm,10%,1/2W,AA,TP,3.7 | | R821 | 2004-001891 | R-METAL(S):133Kohm,1%,1/2W,AA,TP,2.5x6.5 | |
| R511 | 2001-000429 | R-CARBON:1KOHM,5%,1/8W,AA,TP,1.8X3.2MM | | R822 | 2001-000273 | R-CARBON:100KOHM,5%,1/8W,AA,TP,1.8X3.2M | |
| R512 | 2001-001093 | R-CARBON(S):2.2KOHM,5%,1/2W,AA,TP,2.4X6.4 | | R823 | 2001-000522 | R-CARBON:22KOHM,5%,1/8W,AA,TP,1.8X3.2MM | |
| R513 | 2001-000085 | R-CARBON(S):100KOHM,5%,1/2W,AA,TP,2.4X6.4 | | R824 | 2001-000273 | R-CARBON:100KOHM,5%,1/8W,AA,TP,1.8X3.2M | |
| R515 | 2002-001008 | R-COMPOSITION:1.8Kohm,10%,1/2W,AA,TP,3.7 | | R825 | 2001-000066 | R-CARBON(S):10KOHM,5%,1/2W,AA,TP,2.4X6.4 | |
| R517 | 2001-001062 | R-CARBON(S):10MOHM,5%,1/2W,AA,TP,2.4X6.4 | | R827 | 2008-000284 | R-FUSIBLE(S):0.1OHM,10%,2W,AF,TP,3.9X10M | |
| R518 | 2003-002171 | R-METAL OXIDE(S):150ohm,5%,2W,AG,TP,3.9x | | R828 | 2008-000266 | R-FUSIBLE(S):1ohm,5%,2W,AF,TP,3.9x10mm | |
| R519 | 2002-001009 | R-COMPOSITION:2.7Kohm,10%,1/2W,AA,TP,3.7 | | R829 | 2008-001029 | R-FUSIBLE(S):5.6OHM,5%,2W,AF,TP,3.9X10MM | |
| R521 | 2001-000522 | R-CARBON:22KOHM,5%,1/8W,AA,TP,1.8X3.2MM | | R831 | 2001-000780 | R-CARBON:470OHM,5%,1/8W,AA,TP,1.8X3.2MM | |
| R522 | 2001-000449 | R-CARBON:2.2KOHM,5%,1/8W,AA,TP,1.8X3.2M | | R832 | 2001-001153 | R-CARBON(S):470OHM,5%,1/2W,AA,TP,2.4X6.4M | |
| R526 | 2004-000500 | R-METAL:2.7Kohm,1%,1/8W,AA,TP,1.8x3.2m | | R833 | 2001-000734 | R-CARBON:4.7KOHM,5%,1/8W,AA,TP,1.8X3.2M | |
| R527 | 2004-000433 | R-METAL:1Kohm,1%,1/8W,AA,TP,1.8x3.2mm | | R835 | 2003-002181 | R-METAL OXIDE(S):68Kohm,5%,2W,AG,TP,3.9x | |
| R539 | 2001-000515 | R-CARBON:220OHM,5%,1/8W,AA,TP,1.8X3.2MM | | R836 | 2003-002181 | R-METAL OXIDE(S):68Kohm,5%,2W,AG,TP,3.9x | |
| R542 | 2001-000429 | R-CARBON:1KOHM,5%,1/8W,AA,TP,1.8X3.2MM | | R901 | 2001-000734 | R-CARBON:4.7KOHM,5%,1/8W,AA,TP,1.8X3.2M | |
| R543 | 2001-000429 | R-CARBON:1KOHM,5%,1/8W,AA,TP,1.8X3.2MM | | R903 | 2001-000734 | R-CARBON:4.7KOHM,5%,1/8W,AA,TP,1.8X3.2M | |
| R544 | 2001-000429 | R-CARBON:1KOHM,5%,1/8W,AA,TP,1.8X3.2MM | | R904 | 2001-000734 | R-CARBON:4.7KOHM,5%,1/8W,AA,TP,1.8X3.2M | |
| R546 | 2001-000429 | R-CARBON:1KOHM,5%,1/8W,AA,TP,1.8X3.2MM | | R905 | 2001-000734 | R-CARBON:4.7KOHM,5%,1/8W,AA,TP,1.8X3.2M | |
| R601 | 2001-000429 | R-CARBON:1KOHM,5%,1/8W,AA,TP,1.8X3.2MM | | R906 | 2001-000734 | R-CARBON:4.7KOHM,5%,1/8W,AA,TP,1.8X3.2M | |
| R602 | 2001-000429 | R-CARBON:1KOHM,5%,1/8W,AA,TP,1.8X3.2MM | | R907 | 2001-000281 | R-CARBON:100OHM,5%,1/8W,AA,TP,1.8X3.2MM | |
| R603 | 2001-000429 | R-CARBON:1KOHM,5%,1/8W,AA,TP,1.8X3.2MM | | R908 | 2001-000734 | R-CARBON:4.7KOHM,5%,1/8W,AA,TP,1.8X3.2M | |
| R604 | 2001-000281 | R-CARBON:100OHM,5%,1/8W,AA,TP,1.8X3.2MM | | R909 | 2001-000281 | R-CARBON:100OHM,5%,1/8W,AA,TP,1.8X3.2MM | |
| R605 | 2001-000281 | R-CARBON:100OHM,5%,1/8W,AA,TP,1.8X3.2MM | | R910 | 2001-000429 | R-CARBON:1KOHM,5%,1/8W,AA,TP,1.8X3.2MM | |
| R606 | 2001-000290 | R-CARBON:10KOHM,5%,1/8W,AA,TP,1.8X3.2MM | | R911 | 2001-000003 | R-CARBON:330ohm,5%,1/8W,AA,TP,1.8x3.2mm | |
| R607 | 2001-000429 | R-CARBON:1KOHM,5%,1/8W,AA,TP,1.8X3.2MM | | R912 | 2001-000429 | R-CARBON:1KOHM,5%,1/8W,AA,TP,1.8X3.2MM | |
| R608 | 2001-000429 | R-CARBON:1KOHM,5%,1/8W,AA,TP,1.8X3.2MM | | R913 | 2001-000947 | R-CARBON:7.5KOHM,5%,1/8W,AA,TP,1.8X3.2M | |
| R610 | 2001-000281 | R-CARBON:100OHM,5%,1/8W,AA,TP,1.8X3.2MM | | R914 | 2001-000429 | R-CARBON:1KOHM,5%,1/8W,AA,TP,1.8X3.2MM | |
| R611 | 2001-000281 | R-CARBON:100OHM,5%,1/8W,AA,TP,1.8X3.2MM | | R919 | 2001-000290 | R-CARBON:10KOHM,5%,1/8W,AA,TP,1.8X3.2MM | |
| R612 | 2001-000281 | R-CARBON:100OHM,5%,1/8W,AA,TP,1.8X3.2MM | | R920 | 2001-000780 | R-CARBON:470OHM,5%,1/8W,AA,TP,1.8X3.2MM | |
| R613 | 2001-000281 | R-CARBON:100OHM,5%,1/8W,AA,TP,1.8X3.2MM | | R921 | 2001-000734 | R-CARBON:4.7KOHM,5%,1/8W,AA,TP,1.8X3.2M | |
| R614 | 2001-000780 | R-CARBON:470OHM,5%,1/8W,AA,TP,1.8X3.2MM | | R922 | 2001-000924 | R-CARBON:680OHM,5%,1/8W,AA,TP,1.8X3.2MM | |
| R615 | 2001-000780 | R-CARBON:470OHM,5%,1/8W,AA,TP,1.8X3.2MM | | R923 | 2001-000924 | R-CARBON:680OHM,5%,1/8W,AA,TP,1.8X3.2MM | |
| R616 | 2001-000780 | R-CARBON:470OHM,5%,1/8W,AA,TP,1.8X3.2MM | | R924 | 2001-000429 | R-CARBON:1KOHM,5%,1/8W,AA,TP,1.8X3.2MM | |
| R617 | 2001-000780 | R-CARBON:470OHM,5%,1/8W,AA,TP,1.8X3.2MM | | R925 | 2001-000281 | R-CARBON:100OHM,5%,1/8W,AA,TP,1.8X3.2MM | |
| R620 | 2001-000290 | R-CARBON:10KOHM,5%,1/8W,AA,TP,1.8X3.2MM | | R927 | 2001-000734 | R-CARBON:4.7KOHM,5%,1/8W,AA,TP,1.8X3.2M | |
| R621 | 2001-000577 | R-CARBON:2KOHM,5%,1/8W,AA,TP,1.8X3.2MM | | R928 | 2001-000734 | R-CARBON:4.7KOHM,5%,1/8W,AA,TP,1.8X3.2M | |
| R622 | 2001-000577 | R-CARBON:2KOHM,5%,1/8W,AA,TP,1.8X3.2MM | | R929 | 2001-000429 | R-CARBON:1KOHM,5%,1/8W,AA,TP,1.8X3.2MM | |
| R627 | 2001-000281 | R-CARBON:100OHM,5%,1/8W,AA,TP,1.8X3.2MM | | R930 | 2001-000429 | R-CARBON:1KOHM,5%,1/8W,AA,TP,1.8X3.2MM | |
| R628 | 2001-000281 | R-CARBON:100OHM,5%,1/8W,AA,TP,1.8X3.2MM | | R931 | 2001-000780 | R-CARBON:470OHM,5%,1/8W,AA,TP,1.8X3.2MM | |
| R629 | 2001-000290 | R-CARBON:10KOHM,5%,1/8W,AA,TP,1.8X3.2MM | | R932 | 2001-000515 | R-CARBON:220OHM,5%,1/8W,AA,TP,1.8X3.2MM | |
| R701 | 2001-000969 | R-CARBON:75OHM,5%,1/8W,AA,TP,1.8X3.2MM | | R933 | 2001-000780 | R-CARBON:470OHM,5%,1/8W,AA,TP,1.8X3.2MM | |
| R702 | 2001-000969 | R-CARBON:75OHM,5%,1/8W,AA,TP,1.8X3.2MM | | R934 | 2001-000515 | R-CARBON:220OHM,5%,1/8W,AA,TP,1.8X3.2MM | |
| R703 | 2001-000969 | R-CARBON:75OHM,5%,1/8W,AA,TP,1.8X3.2MM | | R935 | 2001-000290 | R-CARBON:10KOHM,5%,1/8W,AA,TP,1.8X3.2MM | |
| R704 | 2001-000969 | R-CARBON:75OHM,5%,1/8W,AA,TP,1.8X3.2MM | | R936 | 2001-000429 | R-CARBON:1KOHM,5%,1/8W,AA,TP,1.8X3.2MM | |
| R705 | 2001-000969 | R-CARBON:75OHM,5%,1/8W,AA,TP,1.8X3.2MM | | R937 | 2001-000734 | R-CARBON:4.7KOHM,5%,1/8W,AA,TP,1.8X3.2M | |
| R706 | 2001-000281 | R-CARBON:100OHM,5%,1/8W,AA,TP,1.8X3.2MM | | R938 | 2001-000734 | R-CARBON:4.7KOHM,5%,1/8W,AA,TP,1.8X3.2M | |
| R707 | 2001-000281 | R-CARBON:100OHM,5%,1/8W,AA,TP,1.8X3.2MM | | R940 | 2001-000281 | R-CARBON:100OHM,5%,1/8W,AA,TP,1.8X3.2MM | |
| R708 | 2001-000281 | R-CARBON:100OHM,5%,1/8W,AA,TP,1.8X3.2MM | | R941 | 2001-000281 | R-CARBON:100OHM,5%,1/8W,AA,TP,1.8X3.2MM | |
| R709 | 2001-000938 | R-CARBON:680OHM,5%,1/8W,AA,TP,1.8X3.2MM | | R942 | 2001-000281 | R-CARBON:100OHM,5%,1/8W,AA,TP,1.8X3.2MM | |
| R710 | 2001-000938 | R-CARBON:680OHM,5%,1/8W,AA,TP,1.8X3.2MM | | R943 | 2001-000515 | R-CARBON:220OHM,5%,1/8W,AA,TP,1.8X3.2MM | |
| R711 | 2001-000969 | R-CARBON:75OHM,5%,1/8W,AA,TP,1.8X3.2MM | | R945 | 2001-000449 | R-CARBON:2.2KOHM,5%,1/8W,AA,TP,1.8X3.2M | |
| R712 | 2001-000969 | R-CARBON:75OHM,5%,1/8W,AA,TP,1.8X3.2MM | | R946 | 2001-000449 | R-CARBON:2.2KOHM,5%,1/8W,AA,TP,1.8X3.2M | |
| R715 | 2001-000290 | R-CARBON:10KOHM,5%,1/8W,AA,TP,1.8X3.2MM | | R947 | 2001-000281 | R-CARBON:100OHM,5%,1/8W,AA,TP,1.8X3.2MM | |

Electrical Parts List

| Loc. No. | Code No. | Description ; Specification | Remark | Loc. No. | Code No. | Description ; Specification | Remark |
|----------|-------------|--|--------|----------|----------|-----------------------------|--------|
| SW811S | 3403-000179 | SWITCH-PUSH;250V,5A,DPST,-,JPW-2104B | | | | | |
| SWY01 | 3404-000244 | SWITCH-TACT;15V,20mA,90-170gf,7.5x7mm,SP | | | | | |
| SWY02 | 3404-000244 | SWITCH-TACT;15V,20mA,90-170gf,7.5x7mm,SP | | | | | |
| SWY03 | 3404-000244 | SWITCH-TACT;15V,20mA,90-170gf,7.5x7mm,SP | | | | | |
| SWY04 | 3404-000244 | SWITCH-TACT;15V,20mA,90-170gf,7.5x7mm,SP | | | | | |
| SWY05 | 3404-000244 | SWITCH-TACT;15V,20mA,90-170gf,7.5x7mm,SP | | | | | |
| SWY06 | 3404-000244 | SWITCH-TACT;15V,20mA,90-170gf,7.5x7mm,SP | | | | | |

ASSY-PCB,A/V SIDE

* AA95-00682AASSY-PCB,A/V SIDE;-;29A6,29A5,KS3A,PAL,-

| | | |
|-------|-------------|--|
| C701 | 2202-000121 | C-CERAMIC,MLC-AXIAL;100pF,10%,50V,Y5P,TP |
| C702 | 2202-000121 | C-CERAMIC,MLC-AXIAL;100pF,10%,50V,Y5P,TP |
| C703 | 2202-000231 | C-CERAMIC,MLC-AXIAL;330pF,10%,50V,Y5P,TP |
| C704 | 2202-000231 | C-CERAMIC,MLC-AXIAL;330pF,10%,50V,Y5P,TP |
| C705 | 2401-002009 | C-AL;100uF,20%,16V,GP,TP;6.3x7.5 |
| C706 | 2401-002009 | C-AL;100uF,20%,16V,GP,TP;6.3x7.5 |
| C707 | 2202-000231 | C-CERAMIC,MLC-AXIAL;330pF,10%,50V,Y5P,TP |
| C708 | 2202-000231 | C-CERAMIC,MLC-AXIAL;330pF,10%,50V,Y5P,TP |
| CN701 | AA39-20068G | LEAD CONNECTOR-ASSY;-;YBNH025-08,67096-0 |
| CN702 | AA39-20070J | LEAD CONNECTOR-ASSY;-;7P;-;YBNH2 |
| CN703 | AA39-20069A | LEAD CONNECTOR-ASSY;-;YBNH025-05,67096-0 |
| CN704 | AA39-00070A | LEAD CONNECTOR-ASSY;-;YB |
| CN705 | AA39-20009E | LEAD CONNECTOR-ASSY;-;YFH800-01,-;1P,600 |
| JA701 | 3722-001031 | JACK-RCA;3P;3.6MM,#18,AU |
| JH701 | 3722-000143 | JACK-PHONE;1P(VER);3.4mm,AG,BLK,NO |
| JS701 | 3722-001163 | JACK-VHS;4P;12mm,AU,BLK,N |
| L701 | 2701-000114 | INDUCTOR-AXIAL;10uH,10%,2.5x3.4mm |
| L702 | 2701-000114 | INDUCTOR-AXIAL;10uH,10%,2.5x3.4mm |
| L703 | 2701-000114 | INDUCTOR-AXIAL;10uH,10%,2.5x3.4mm |
| L704 | 2701-000114 | INDUCTOR-AXIAL;10uH,10%,2.5x3.4mm |
| L705 | 2701-000168 | INDUCTOR-AXIAL;3.3uH,5%,2.5x3.4mm |
| L706 | 2701-000168 | INDUCTOR-AXIAL;3.3uH,5%,2.5x3.4mm |
| L707 | 3301-000287 | CORE-FERRITE BEAD;AA,3.5x1.0x6.0mm,1500, |
| L708 | 3301-000287 | CORE-FERRITE BEAD;AA,3.5x1.0x6.0mm,1500, |
| PCB | AA41-00155A | PCB-SIDE AV;KS3A,1L,FR-1,245x245x1.6T,8A |
| R701 | 2001-000028 | R-CARBON(S);100OHM,5%,1/2W,AA,TP,2.4X6.4 |
| R702 | 2001-000028 | R-CARBON(S);100OHM,5%,1/2W,AA,TP,2.4X6.4 |
| R703 | 2001-000969 | R-CARBON;75OHM,5%,1/8W,AA,TP,1.8X3.2MM |
| R704 | 2001-000969 | R-CARBON;75OHM,5%,1/8W,AA,TP,1.8X3.2MM |

ASSY-POWER,CORD

* AA96-20130CASSY-POWER,CORD;-;CP2/NO(4.0R),H/C300MM,

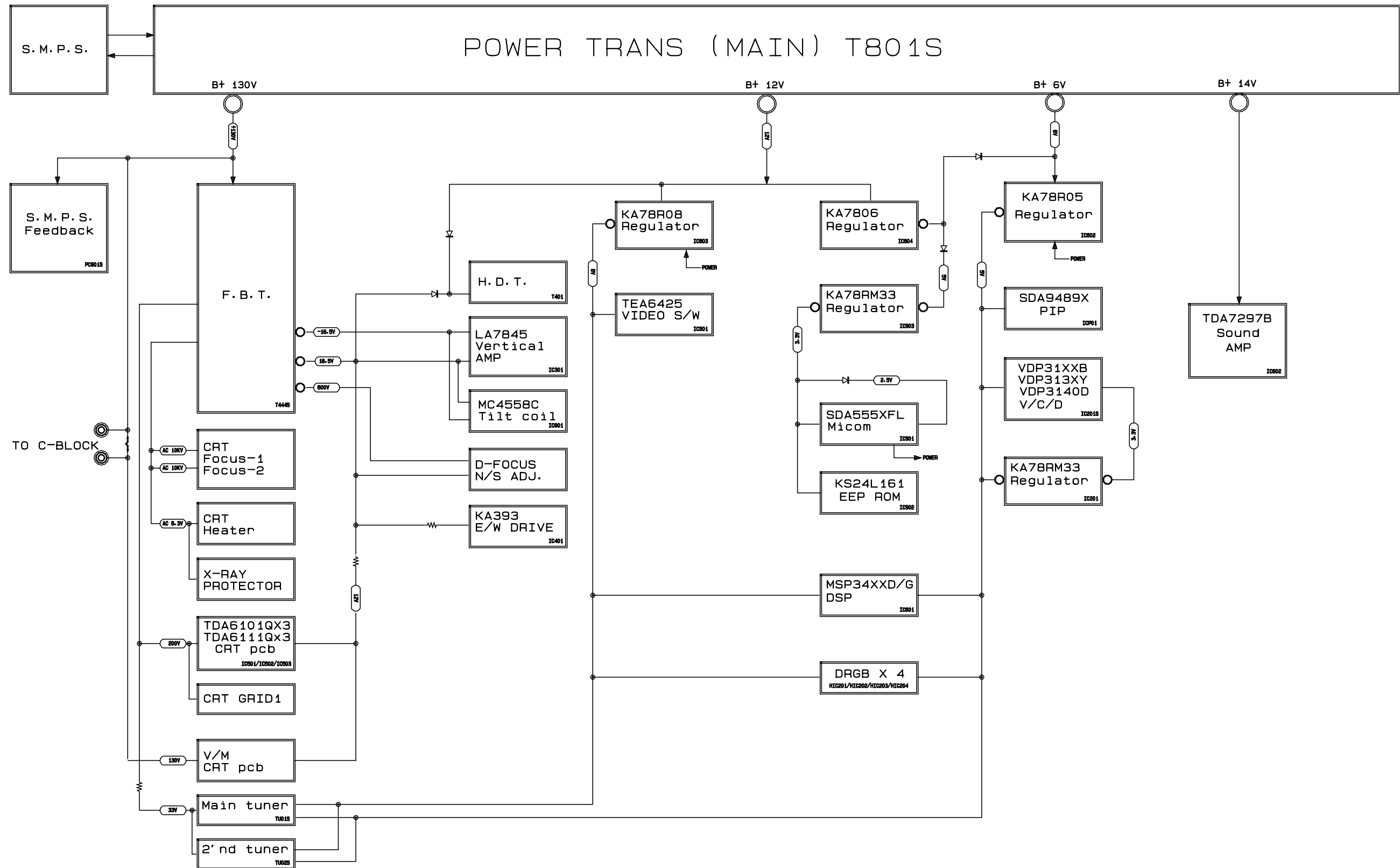
AA61-20284A HOLDER;-;P-CORD,PP,VO,BLK,KE-002
AA39-10003B POWER-CORD;-;KJP-140,KLCE-2F,2.4m,HOUS,S

REMOCON

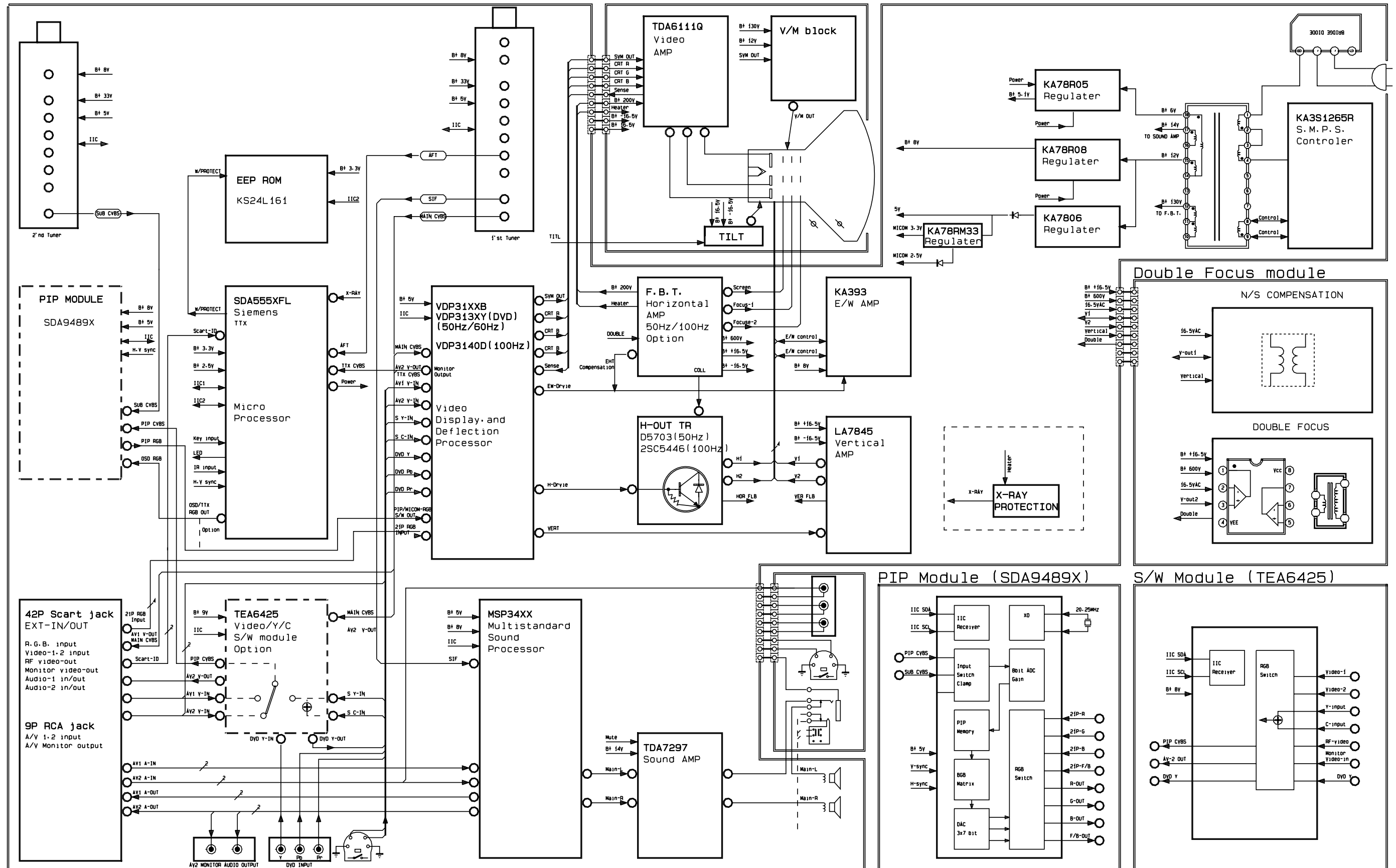
* AA59-00104AREMOCON;-;TM59,DREAM,29,L/GRAY,-;EX,PA

8. Block Diagrams

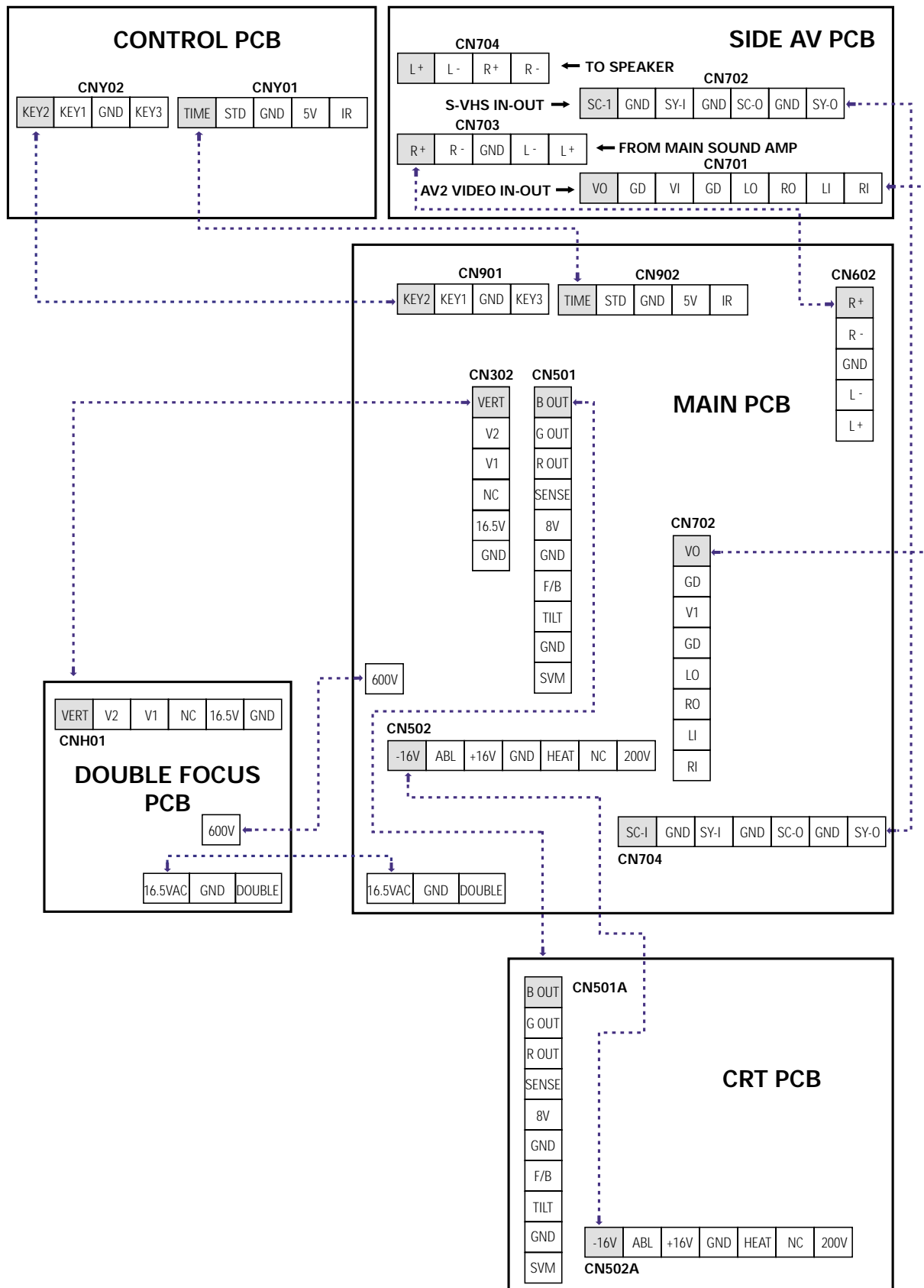
8-1 Power Diagram



8-2 Block Diagram



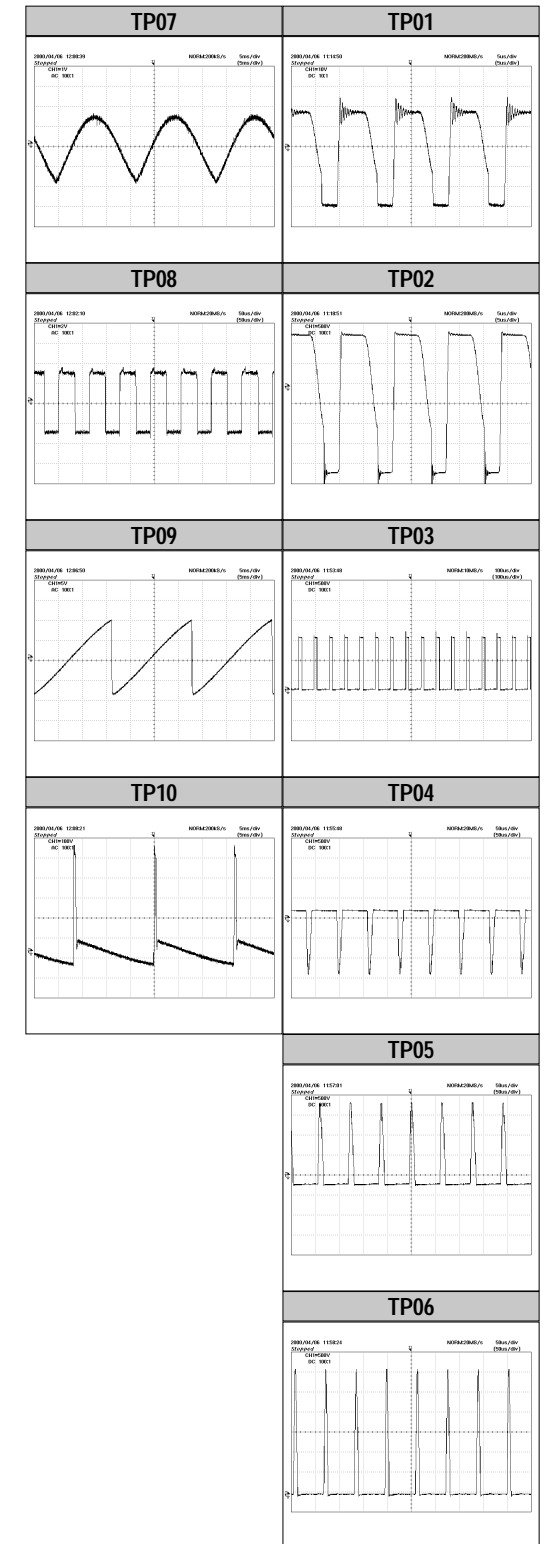
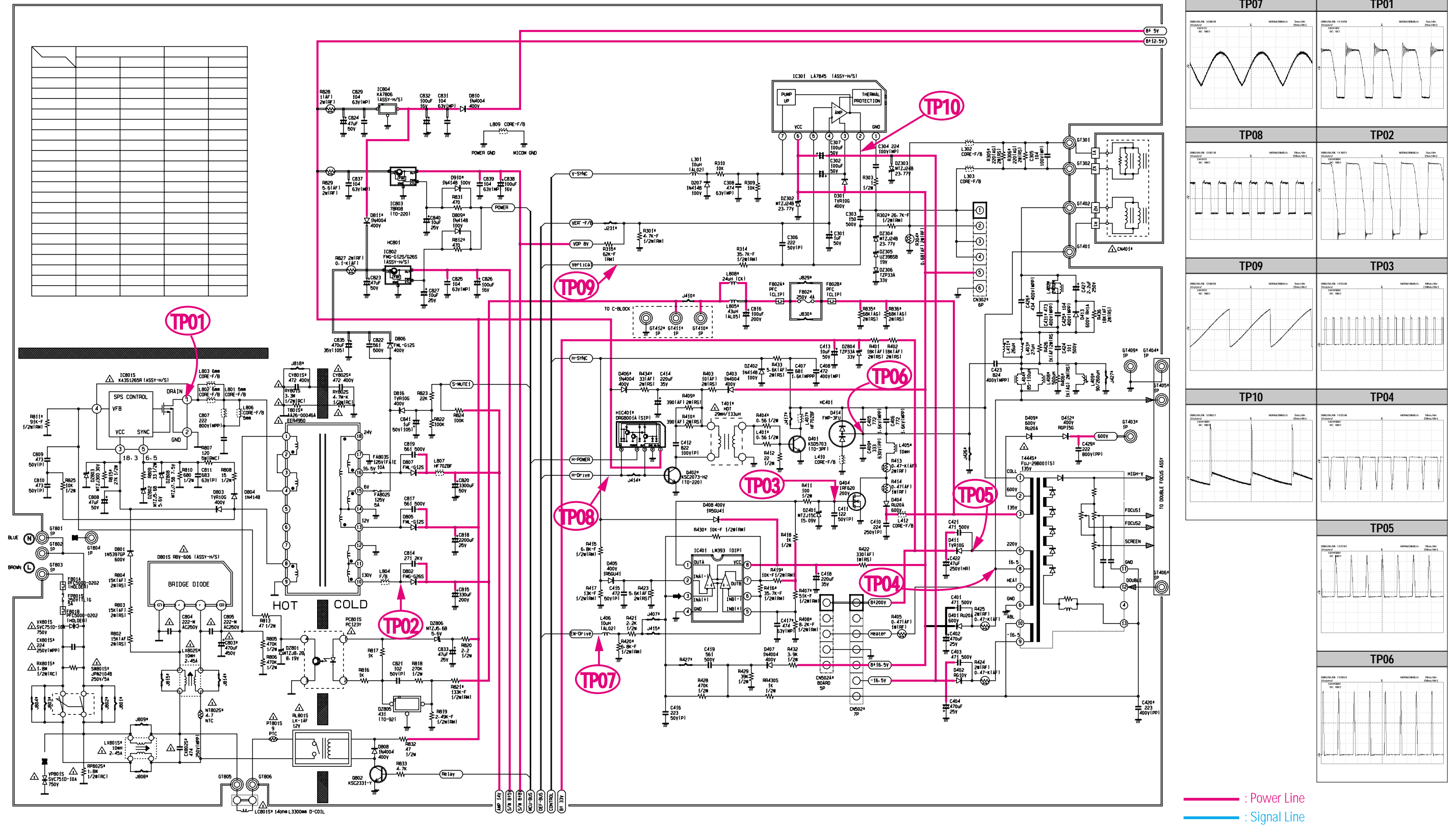
9. Wiring Diagram



MEMO

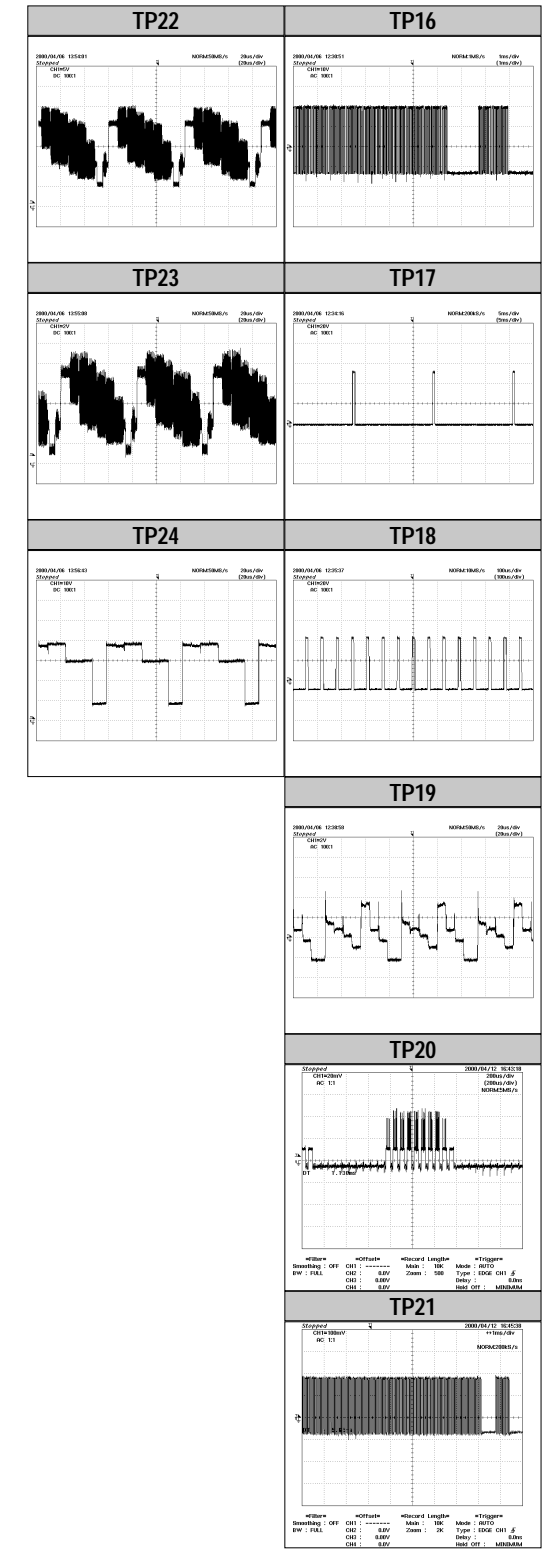
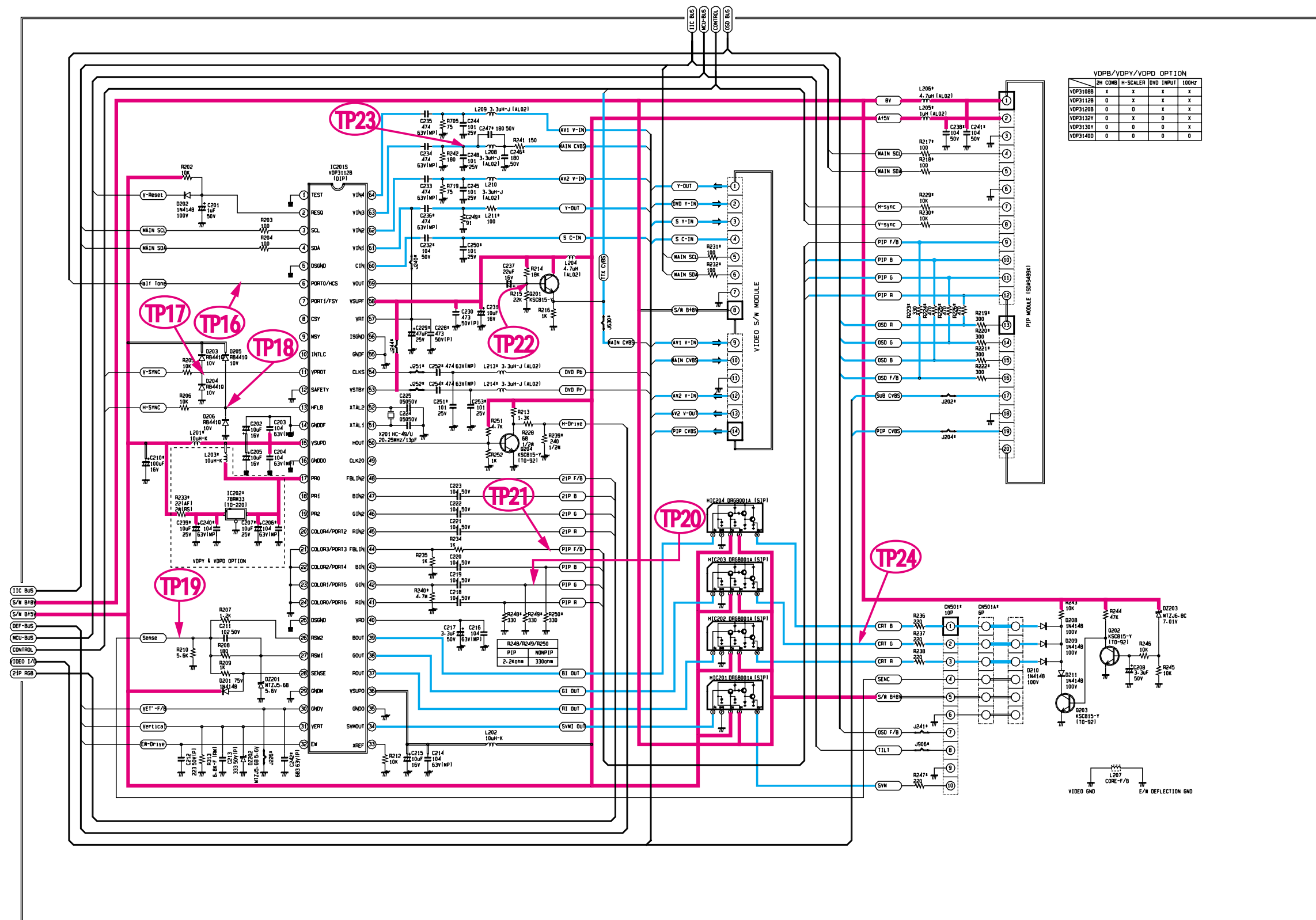
10. Schematic Diagrams

10-1 MAIN 1



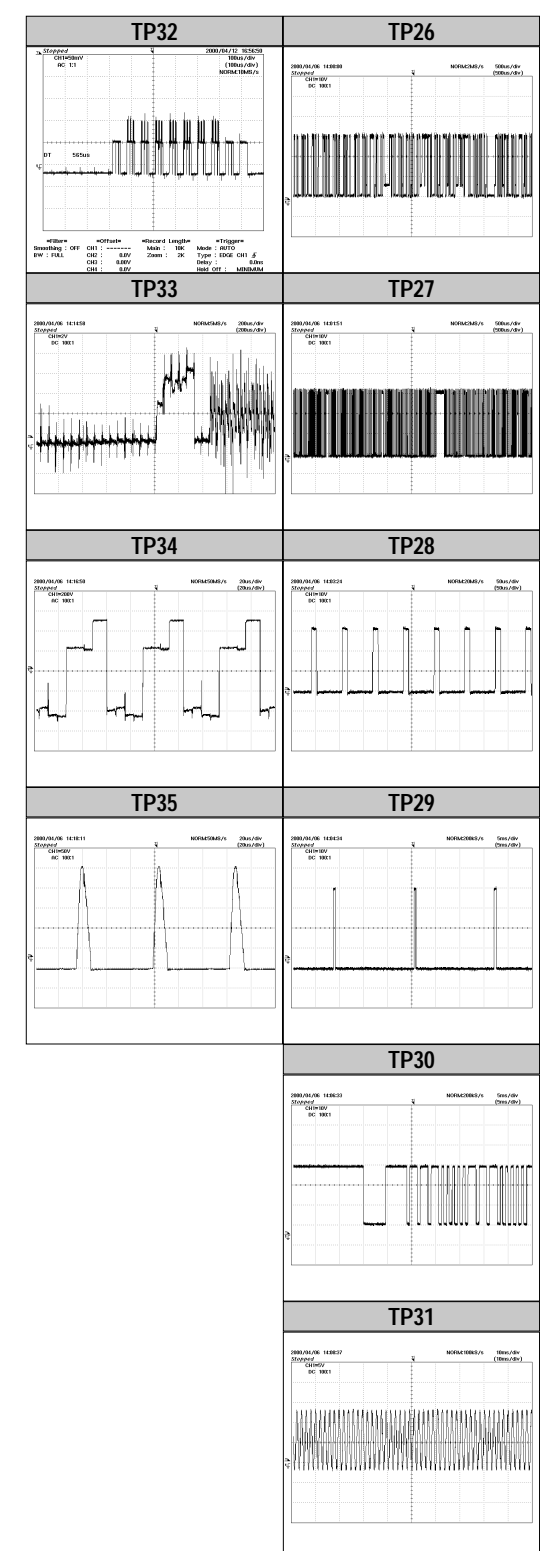
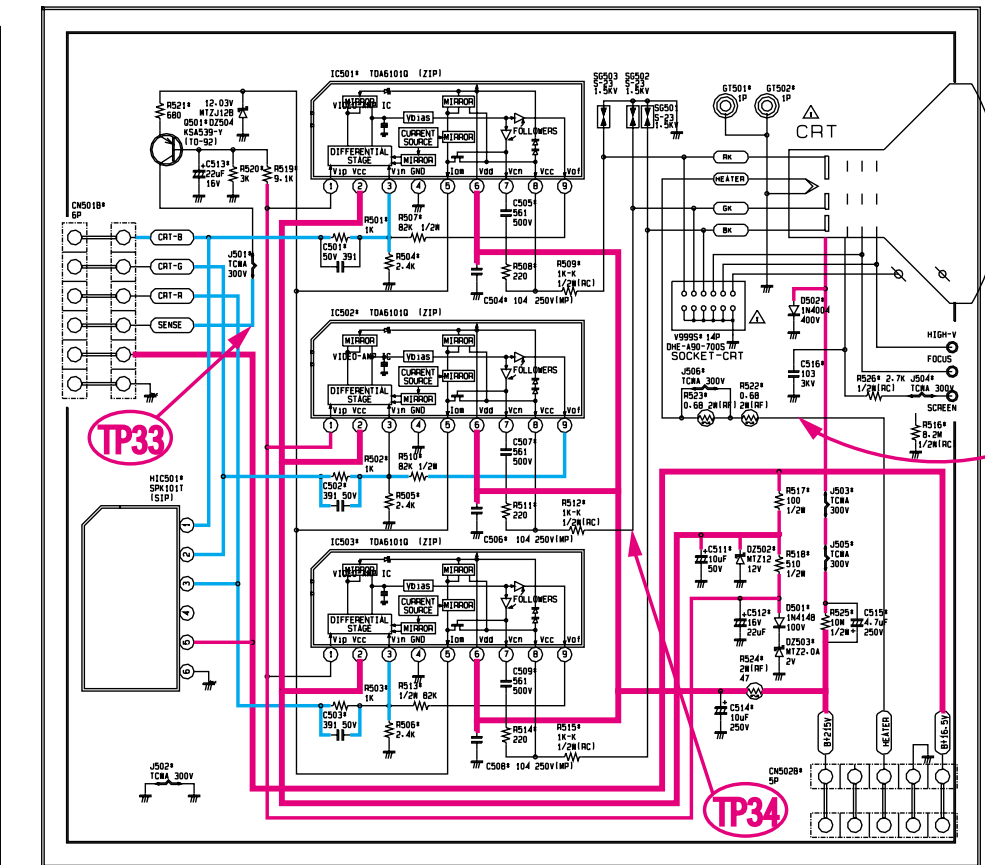
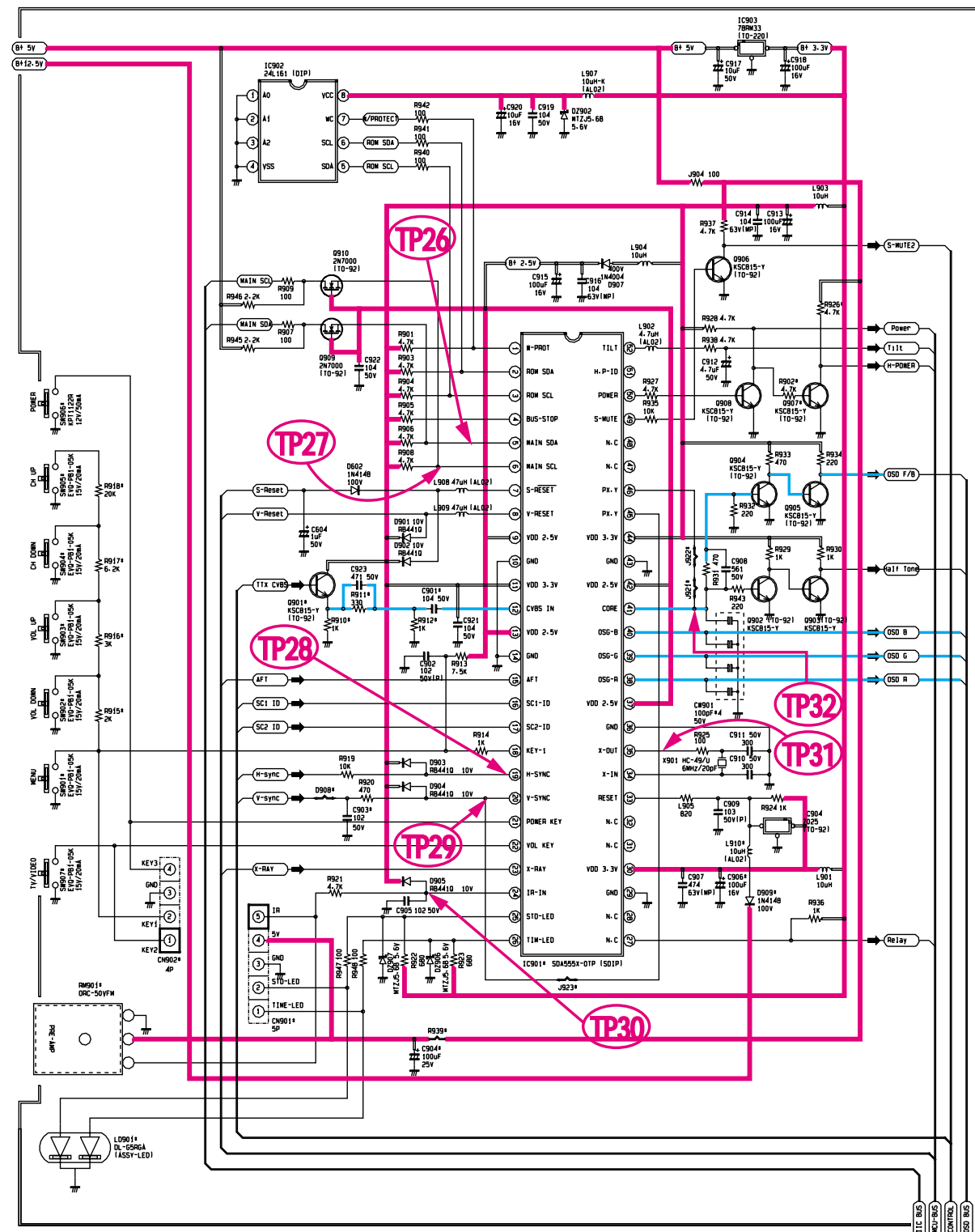
— : Power Line
— : Signal Line

10-3 MAIN3



— : Power Line
 — : Signal Line

10-4 MAIN 4



KS3A MAIN SCHEMATIC DIAGRAM

| CAPACITOR | |
|----------------------|---------|
| Ceramic - SL | No Mark |
| Ceramic - RH | (RH) |
| Ceramic - CH | (CH) |
| Polyester/Inductl | (CP) |
| Polyester/Noninductl | (PM) |
| Polypropylene | (PP) |
| Metal Polyester | (MP) |
| M. P. Polypropylene | (MPP) |
| Tantalum | (T) |
| Non Polar | (NP) |

| RESISTOR | |
|-------------|---------|
| Carbon | No Mark |
| Composition | (CS) |
| Metal Oxide | (MS) |
| Metal Film | (MF) |
| Fusible | (RF) |
| Cement-Wire | (CW) |
| Network | (NW) |

NOTE

1. Resistance is shown in one K=1,000 M=1,000,000
2. Unless otherwise noted in schematic all capacitor values less than 1 are expressed in μ F, and the values more than 1 in μ F.
3. Unless otherwise noted in schematic all inductor values more than 1 are expressed in μ H.
4. Voltage read with v.t.v.m (input impedance 21 M Ω /all range) from point indicated to chassis ground using a color bar signal with all control at normal line voltage 100 volts.
5. Waveforms in chrominance circuit are taken receiving a color bar signal with enough sensitivity.
6. Waveforms in other circuit are taken using a signal under normal receiving conditions.
7. Voltage readings shown are normal values and may vary 20% except H.V.
8. This is fundamental circuit diagram some production changes may be made without revision of the diagram.
9. The circuits enclose in dotted lines are optional parts. (O)

WARNING BEFORE SERVICING THIS CHASSIS READ THE "X-RAY RADIATION PRECAUTION" "SAFETY PRECAUTION" AND "PRODUCT SAFETY NOTICE" IN MANUAL.

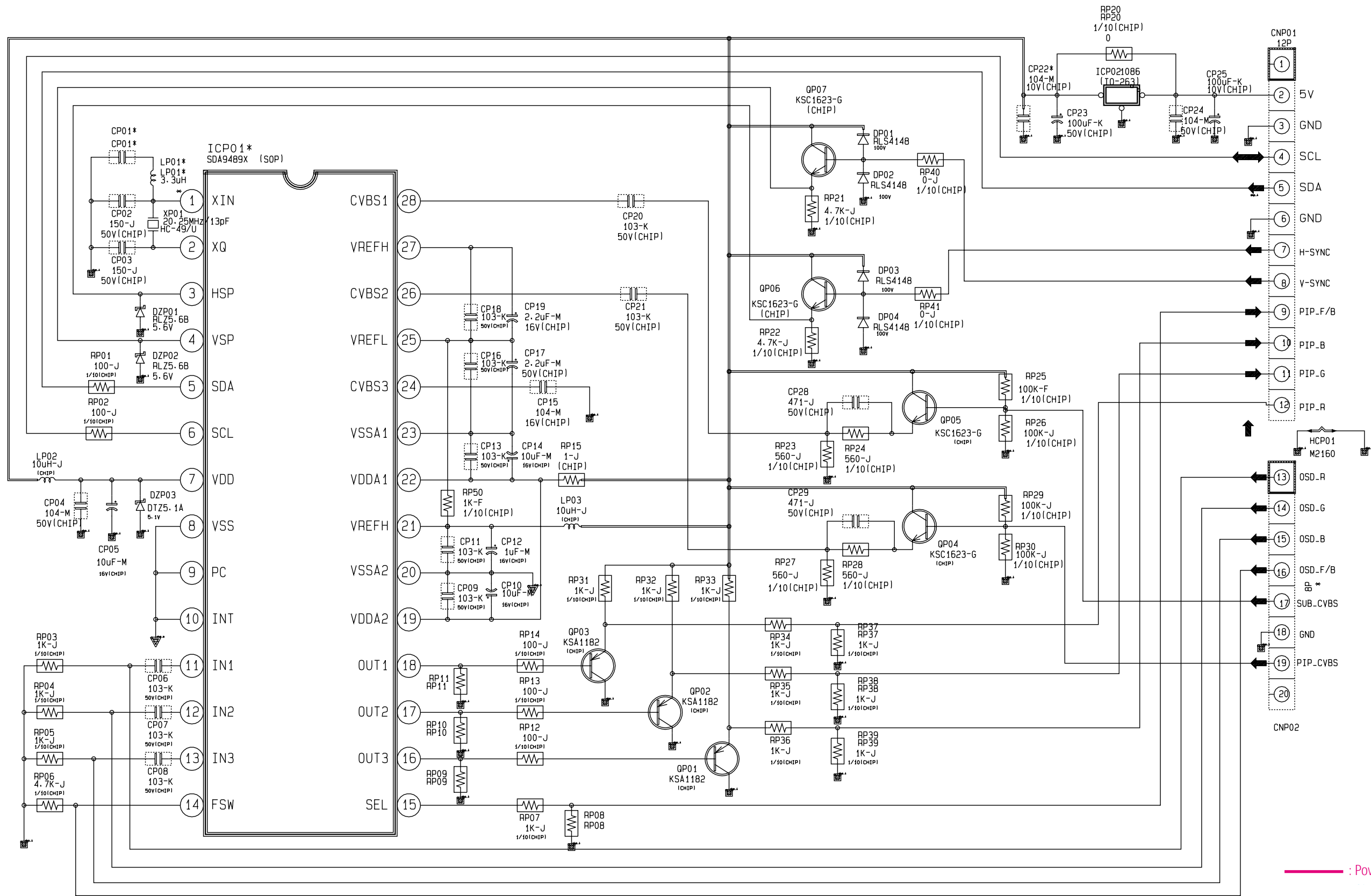
CAUTION The shaded area in the schematic diagram and the parts list designate components which have special characteristics important for safety and should be replaced only with types identical to those in the original circuit of specified in the parts list. Before replacing any of these components, read carefully the "PRODUCT SAFETY NOTICE" in this manual. Do not degrade the safety of the receiver through improper servicing.

FILE NAME * MAIN

| JOB-NO | TEAM | NODE | DESIGN | OPER | EDIT |
|--------|------|------|--------|------|------------|
| Dream | KS3A | NC7 | Y-K | KJM | 2000/06/22 |

— : Power Line
 — : Signal Line

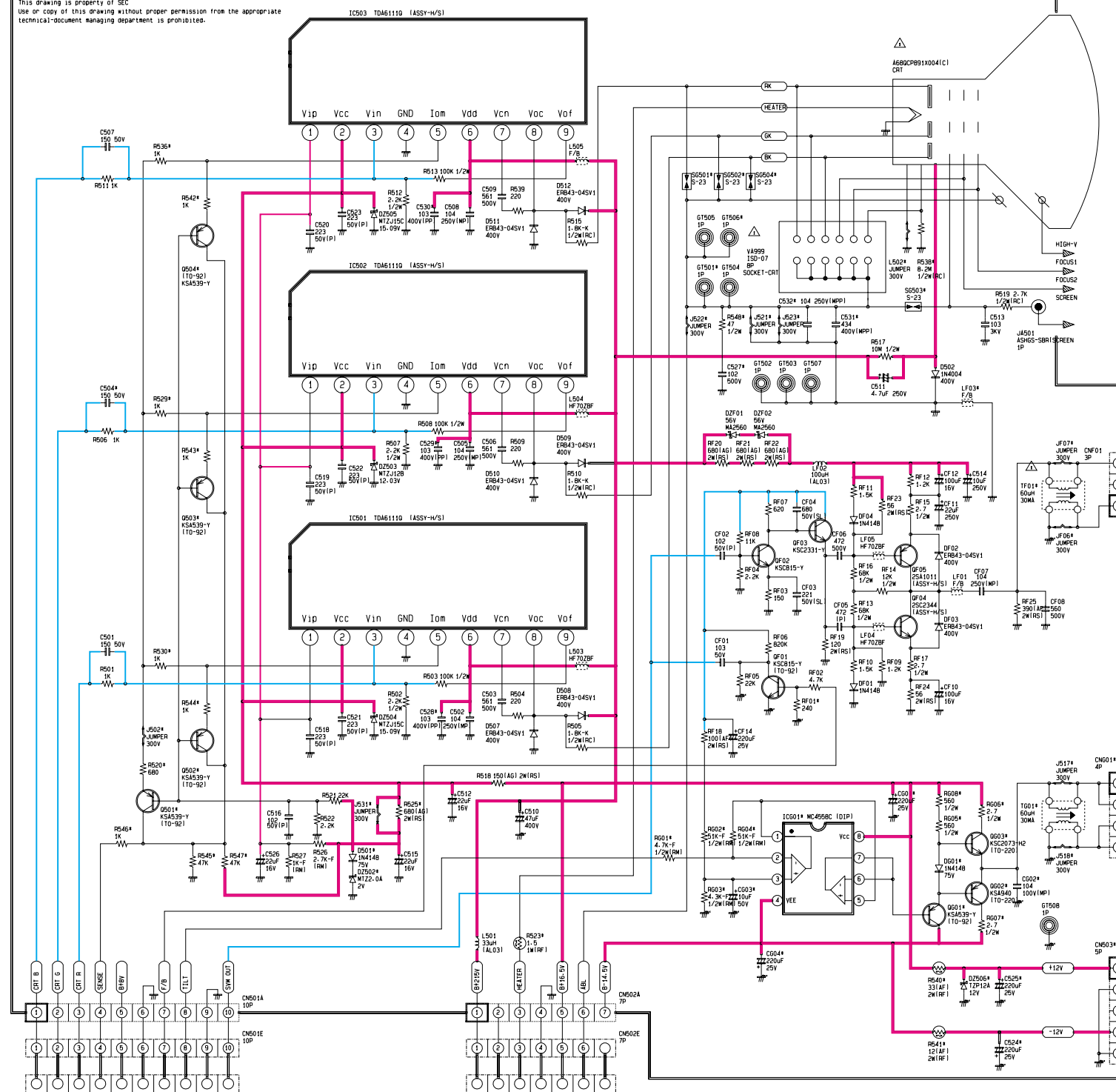
10-5 PIP



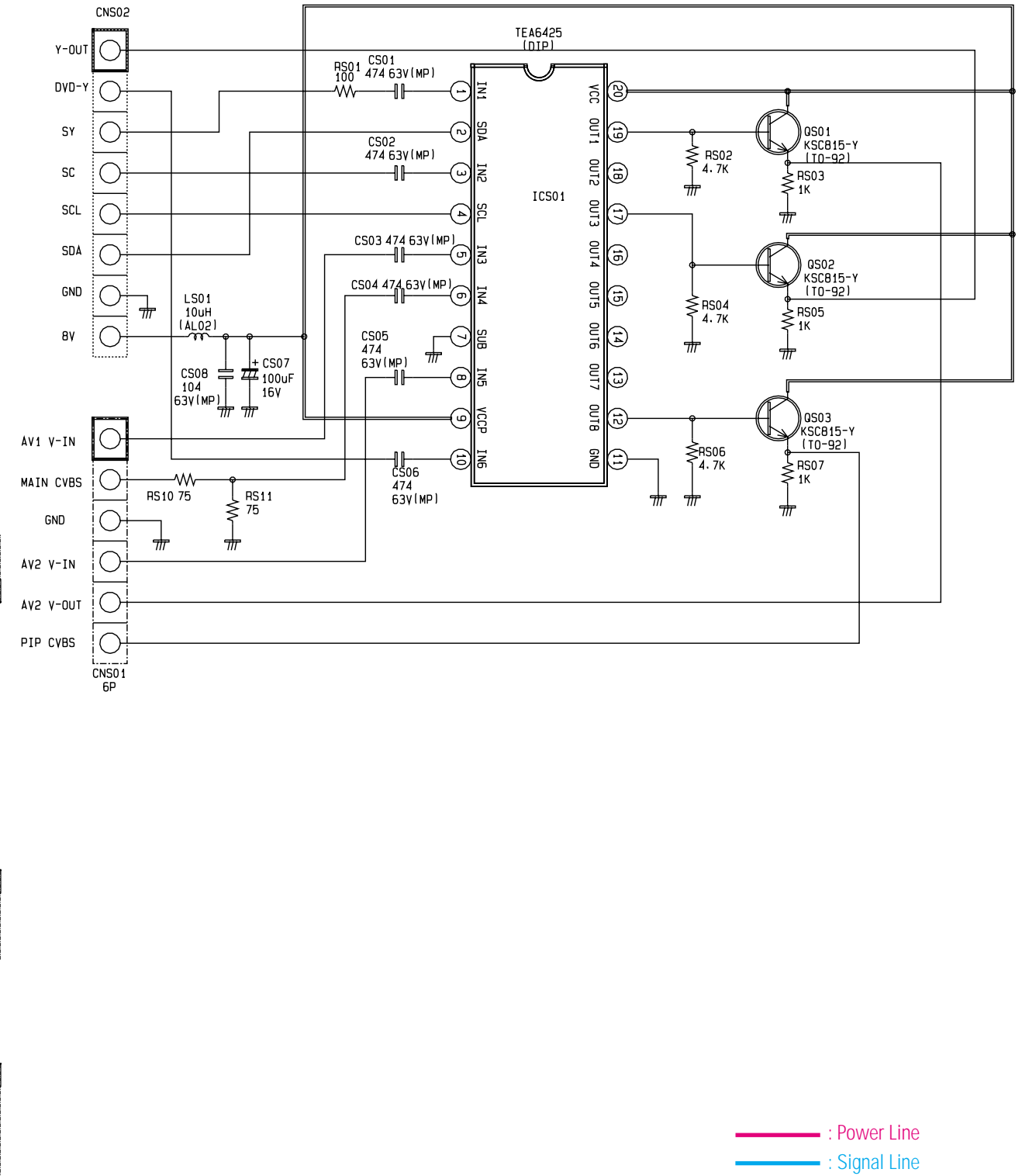
10-6 CRT, SWITCH

CRT

This drawing is property of SEC. Use or copy of this drawing without proper permission from the appropriate technical-document managing department is prohibited.



SWITCH





ELECTRONICS

© Samsung Electronics Co., Ltd. **AUG. 2000**
Printed in Korea
3KS3A-2933

Free Manuals Download Website

<http://myh66.com>

<http://usermanuals.us>

<http://www.somanuals.com>

<http://www.4manuals.cc>

<http://www.manual-lib.com>

<http://www.404manual.com>

<http://www.luxmanual.com>

<http://aubethermostatmanual.com>

Golf course search by state

<http://golfingnear.com>

Email search by domain

<http://emailbydomain.com>

Auto manuals search

<http://auto.somanuals.com>

TV manuals search

<http://tv.somanuals.com>