

Vacuum Cleaner user manual

English



imagine the possibilities

Thank you for purchasing a Samsung product.
To receive a more complete service,
please register your product at
www.samsung.com/global/register





Safety information








SAFETY INFORMATION

-  **WARNING** • Before operating the appliance, please read this manual thoroughly and retain it for your reference.
-  **WARNING** • Because the following operating instructions cover various models, the characteristics of your vacuum cleaner may differ slightly from those described in this manual.

CAUTION/WARNING SYMBOLS USED

 WARNING	Indicates that a danger of death or serious injury exists.
 CAUTION	Indicates that a risk of personal injury or material damage exists.

OTHER SYMBOLS USED

	Represents something you must NOT do.
	Represents something you must NOT disassemble.
	Represents something you must NOT touch.
	Represents something you must follow.
	Indicates that you must disconnect the power plug from the socket.
	Represents a ground is needed to prevent electric shock.
	It is recommended that this symbol be handled by a service man.

Safety information

IMPORTANT SAFETY INSTRUCTIONS

Thank you for purchasing a Samsung vacuum cleaner. When using an electrical appliance, basic precautions should always be followed, including the following :

PLEASE READ ALL WARNINGS AND INSTRUCTIONS BEFORE USING THIS VACUUM CLEANER.

WARNING : To reduce the risk of fire, electric shock, or injury.

- Do not leave vacuum cleaner unattended when it is plugged in.
- Unplug from outlet when not in use and before servicing.
- Do not use outdoors or on wet surfaces.
- Do not allow children to operate vacuum cleaner or use as a toy.
- Close attention is necessary when used by or near children.
- Use only as described in this manual. Use only manufacturer's recommended attachments.
- Do not use with damaged cord or plug.
- If vacuum cleaner is not working as it should, or has been dropped, damaged, left outdoors or dropped into water, return it to a service center.
- Do not pull or carry by cord, use cord as a handle, close a door on cord, or pull the cord around sharp edges or corners. Keep cord away from heated surfaces.
- Do not unplug by pulling on the cord. To unplug, grasp the plug, not the cord.
- Do not handle vacuum cleaner or plug with wet hands.
- Do not put any object into openings. Do not use with any opening blocked; keep openings free of dust, lint, hair and anything that may reduce air flow.
- Keep hair, loose clothing, fingers and all parts of body away from openings and moving parts.
- Do not pick up anything that is burning or smoking, such as cigarettes, matches or hot ashes.
- Do not use without dirt cup or filters in place. Empty dirt cup and clean filter frequently when picking up very fine materials such as powder.
- Turn off all controls before unplugging vacuum cleaner.
- Use extra care when cleaning on stairs.
- Do not use to pick up flammable or combustible materials such as gasoline or fine wood, fine wood sandings or use in areas where they may be present.
- Store your vacuum cleaner indoors, in a cool and dry area.
- Avoid picking up hard, sharp objects with the cleaner. They may damage the cleaner.
- Always turn off this appliance before connecting or disconnecting the hose, removing the bottom plate for maintenance.
- Use only on dry, indoor surfaces, never change the plug in any way.
- Do not modify the polarized plug to fit a non-polarized outlet or extension cord.
- Do not touch the brush roller when it is rotating.
- Keep suction away from your face when using nozzles and pipe.
- Do not pull the power cord around sharp corners and do not allow it to be trapped.
- Unplug before connecting turbine nozzle.(only using turbine-brush model)
- This appliance is not intended for use by persons (including children) with reduced physical, sensory or mental capabilities, or lack of experience and knowledge, unless they have been given supervision or instruction concerning use of the appliance by a person responsible for their safety.
- Children should be supervised to ensure that they do not play with the appliance.
- The plug must be removed from the socket-outlet before cleaning or maintaining the appliance.
- If the supply cord is damaged, it must be replaced by the manufacturer or its service agent or a similarly qualified person in order to avoid a hazard.

SAVE THESE INSTRUCTIONS

This vacuum cleaner is intended for household use only.

Contents

ASSEMBLING THE CLEANER

05

- 05. Introduction
- 06. Product accessories
- 07. Assembling the cleaner
- 08. Tool storage

OPERATING THE CLEANER

09

- 09. Cord release
- 09. Power foot height adjustment
- 10. Power switch/Power foot brush roll switch
- 10. Circuit break (Reset switch)

HOW TO OPERATE

11

- 11. How to operate
- 12. Using accessories
- 13. Longreach cleaning

MAINTAIN TOOLS AND FILTER

14

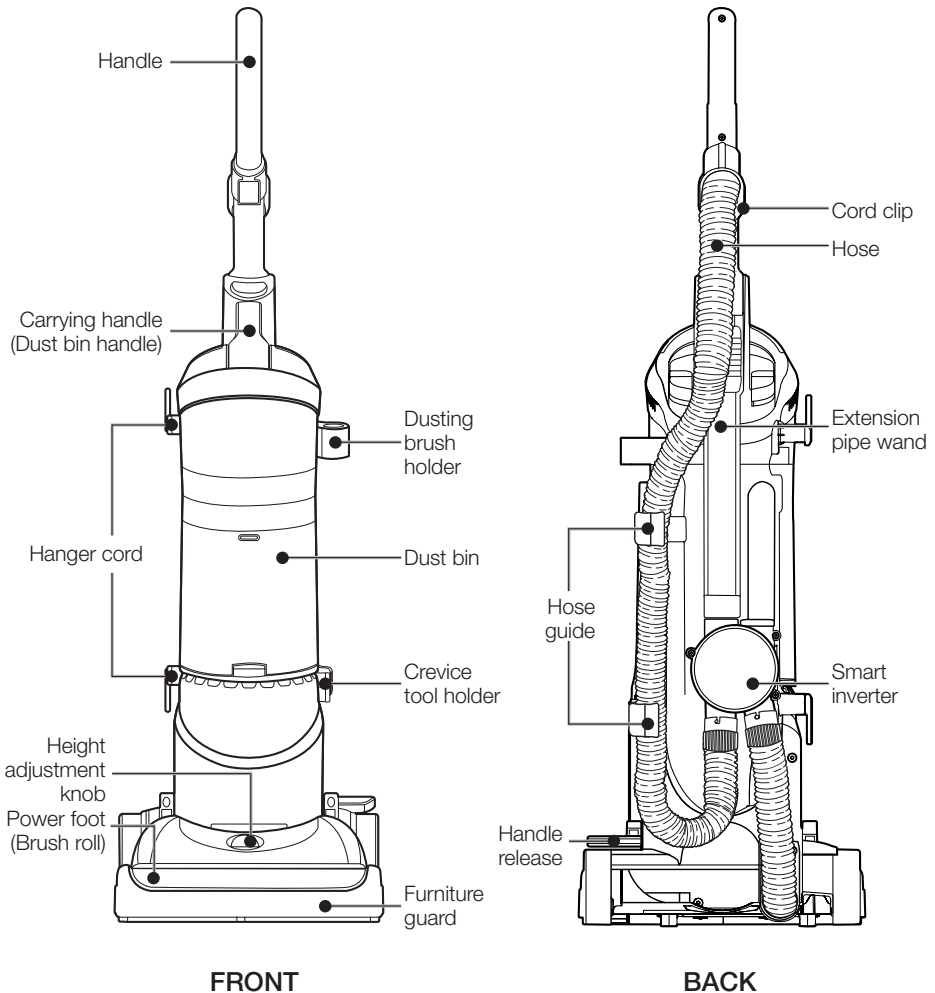
- 14. Check rotating floor brush and drive belt
- 14. Replace drive belt
- 15. Smart inverter
- 16. Powered hand tool(Turbine brush)
- 17. Emptying the dust bin
- 18. Cleaning the dust bin &
Re-assembling the dust bin
- 19. Washing your filter

TROUBLE SHOOTING

20

Assembling the cleaner

INTRODUCTION



Do not plug in your vacuum cleaner until you are familiar with all instructions and operating procedures.

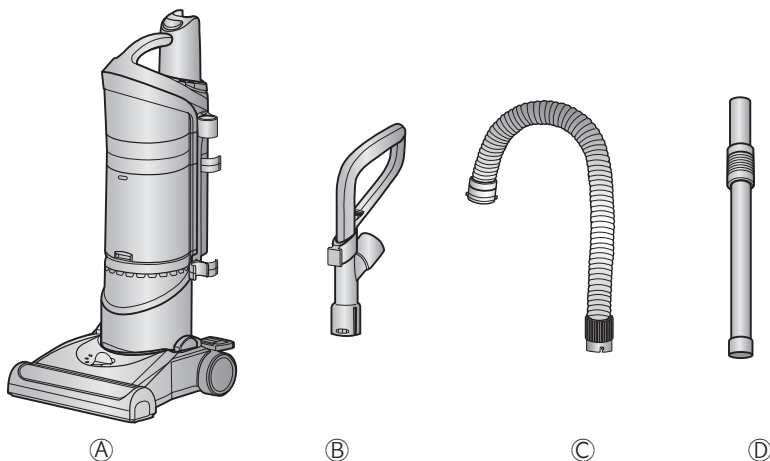


Plastic film can be dangerous. To avoid danger of suffocation, keep away from babies and children.

Assembling the cleaner

PRODUCT ACCESSORIES

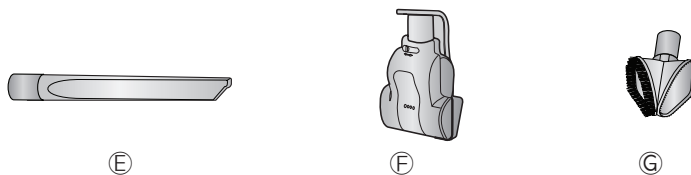
Carton contents



Empty carton. Find the parts shown above before disposing of packing materials.

- A. Vacuum cleaner body
- B. Handle
- C. Hose
- D. Extension Pipe wand

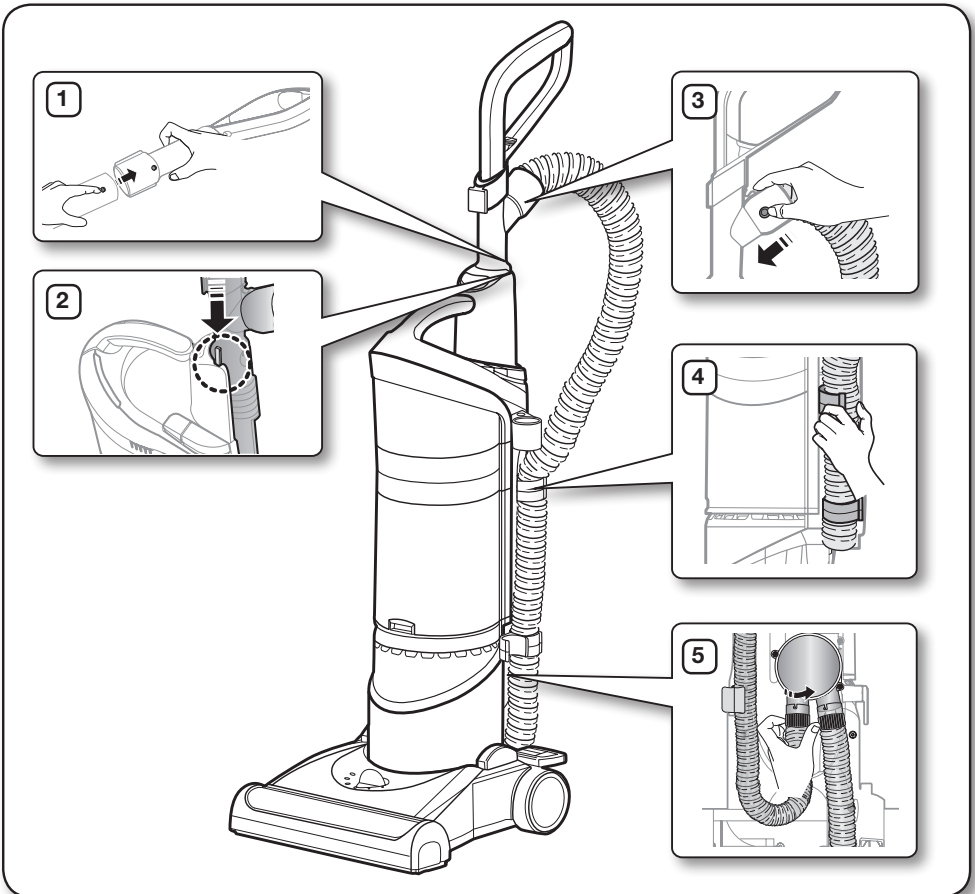
Accessories



The accessories are packed on the cleaner.

- E. Crevice tool
- F. Mini turbo brush
- G. Dusting brush/Upholstery brush

Assembling the cleaner

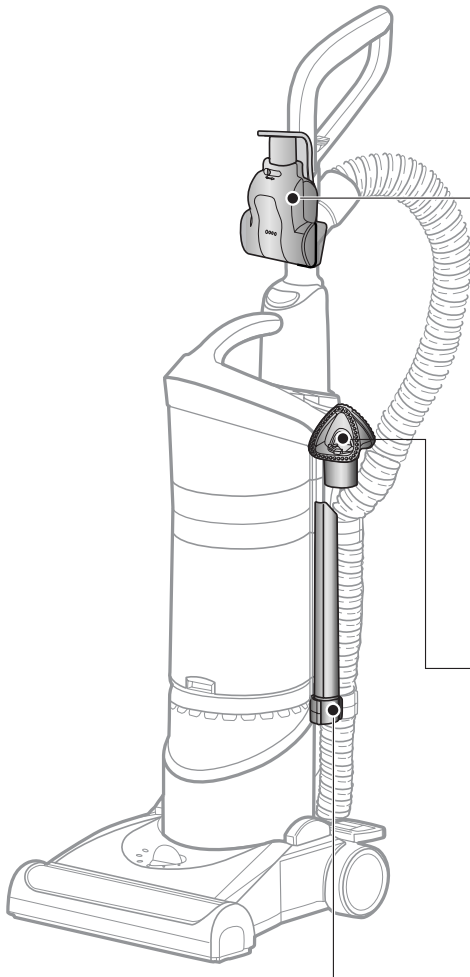


1	Slide fully retracted extension wand into the handle until you hear a click.
2	Slide fully retracted wand and handle into the slot on body until you hear a click. Makes sure slot guides and inserts.
3	Slide fully retracted hose into the handle until you hear a click.
4	Put hose into hose guide down the back of the vacuum cleaner.
5	Slide fully connected hose with the inverter.

Assembling the cleaner

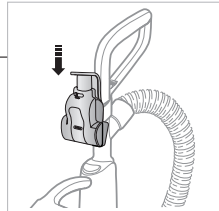
TOOL STORAGE

Attach tools. Clip turbo tool into the caddy on the front of the handle.
Attach dusting tool into the dusting tool holder on side of the body.
Attach crevice tool into the crevice tool holder on side of the body.



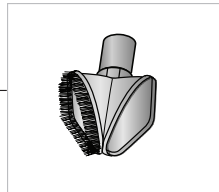
Mini turbo brush (Turbine brush)

- Use for upholstered furniture, carpeted stairs and hard to reach places.



Dusting brush/Upholstery brush

- Use for carved furniture, table tops, books, lamps, lighting fixtures, venetian blinds, base boards, shutters and registers.



Crevice tool

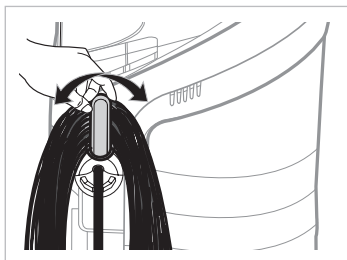
- Use in corners, on stairs, baseboards, and behind furniture.



Operating the cleaner

CORD RELEASE


Turn cord release 180 degrees for easy cord removal.
Store cord wraps to keep out of the way while vacuuming.



Cord release Up

POWER FOOT HEIGHT ADJUSTMENT

The power foot on your SAMSUNG vacuum cleaner can be adjusted to clean several floor surfaces.

 For optimal cleaning performance, adjust to the lowest practical setting.
If your cleaner is difficult to push, adjust to the next higher setting.

1. Place handle in upright position
2. Turn height adjustment knob to desired setting

Lowest setting – For bare floors

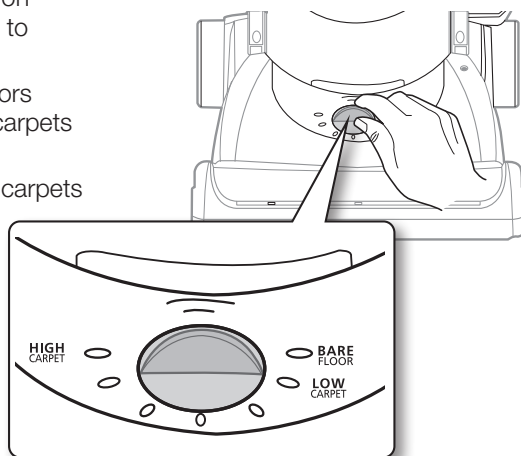
6 step setting – For various carpets

Low carpet setting

– For short and medium pile carpets

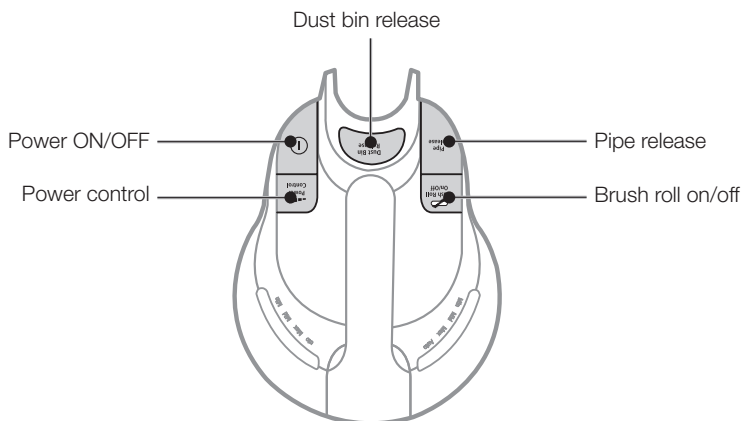
High carpet setting

– For plush pile carpets



Operating the cleaner

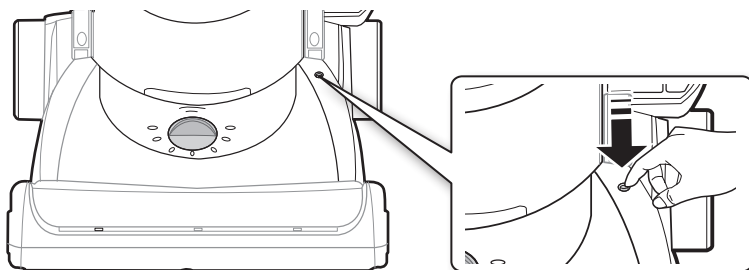
Power switch/Power foot brush roll switch



The Power on/off button is located on the top body.
Turn on vacuum by power button after plugging cord into electrical outlet.
The vacuum is automatically controlled by the dirt sensor.
The dirt sensor is automatic power control by dust amount.
There are 3 suction power levels by power control button.
The Power foot brush on/off button turns the rotating brush roll on and off.
Turn brush roll switch on to clean carpet and rugs.
Turn brush roll switch off to clean hard surface floors.
The brush rolls will automatically turn off when the handle is in the upright position.

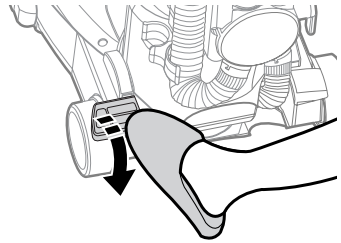
Circuit breaker (Reset switch)

The circuit breaker turns off the brush rolls if there is an obstruction in them.
The brush rolls will not turn, but the suction motor will continue to run.
To reset the breaker, turn cleaner off and unplug it. Clear obstruction.
Press circuit breaker switch to the on position. Turn cleaner on and continue cleaning.



How to operate

Plug cord into electrical outlet.
Press power on/off button.
Push cleaner handle release down with foot and pull handle towards you.
Handle release pedal is located on the lower left side you look at the back of the vacuum cleaner.



Handle Positions

Select the desired angle of the cleaner using the handle release pedal.
The handle of your cleaner has three positions.

Raise or lower the handle and release the pedal.

A. Upright

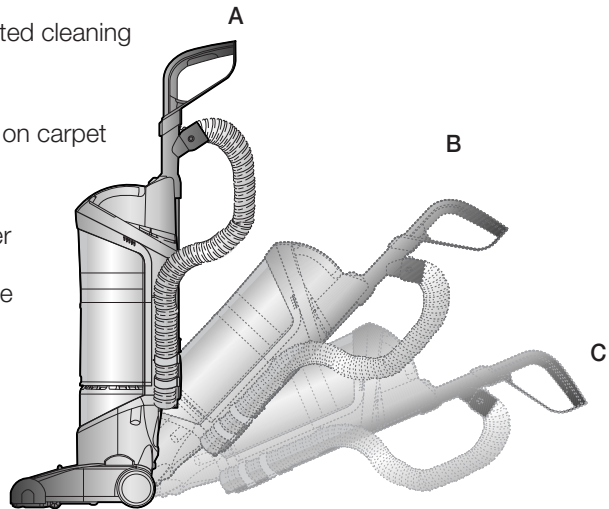
For storage and elevated cleaning with cleaning tools.

B. Medium position

For general operation on carpet and floors.

C. low position

Use for reaching under low furniture.
Step on handle release lever to lower handle.



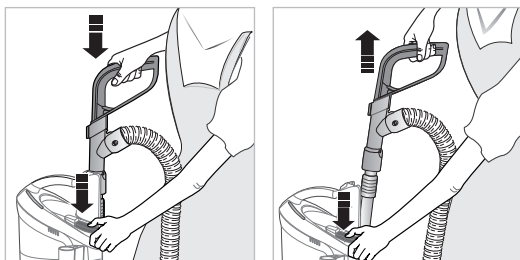
Rotating drum-brush could cause the fringe of a rug to become tangled within cleaner. Use caution and turn off the drum-brush when vacuuming throw rugs with fringe.



Your SAMSUNG vacuum cleaner is equipped with a special internal switch that turns the rotating brush off whenever the vacuum cleaner is in the upright position.

How to operate

USING ACCESSORIES



Put the cleaner in the upright position to stop the brush-roll rotating, or simply press the brush-roll on/off button.

Push down and pull out the handle, while pressing the pipe release button.

Remove the hose and handle from the slot.

The air flow is automatically inverted by the smart inverter.

Choose any of the handy accessories or use the hose alone.

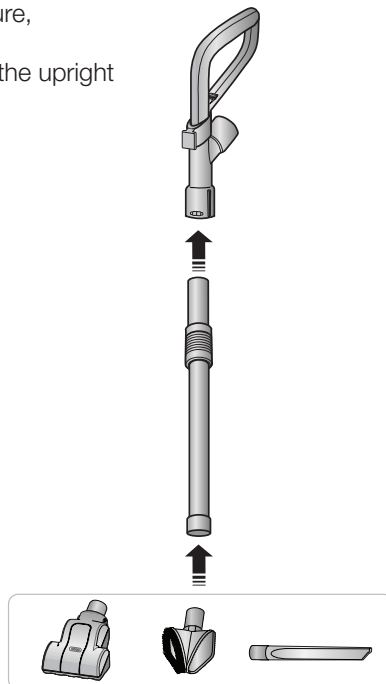
Simply push the attachment firmly into the end of the extension wand.

To remove tool, twist and pull apart gently.

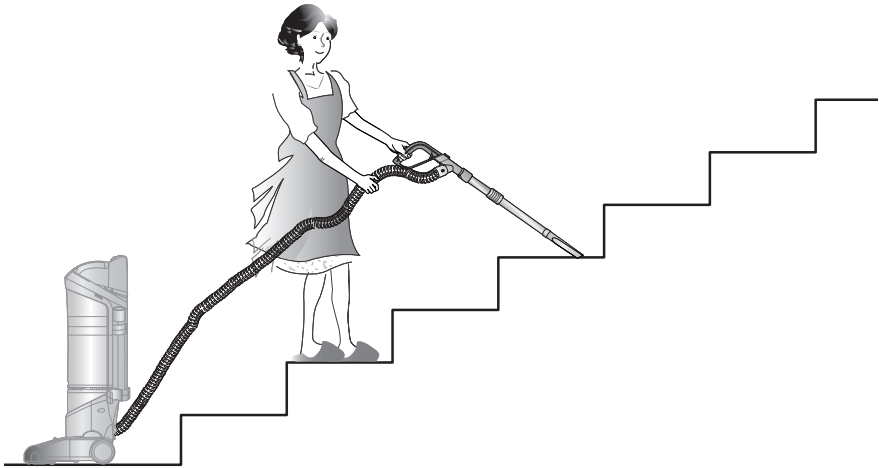
Cleaning tools

Attachment tools can be used to clean furniture, drapes, stairs, or in corners.

Place the vacuum on the floor with handle in the upright position while using attachment tools.



LONGREACH CLEANING



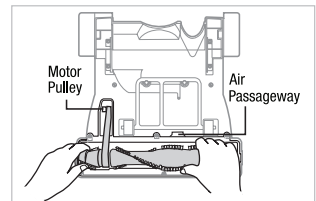
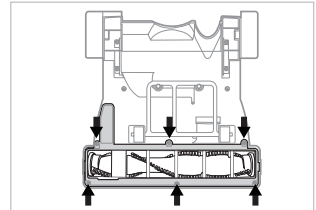
The stretch hose is extended for long reach and upstairs.
Do not put the your Vacuum cleaner above you on the stairs when cleaning the stairs.
Ensure it is positioned against up the bottom stairs.

Maintain tools and filter

Check Rotating Floor Brush and Drive Belt

You should check your vacuum cleaner's rotating floor brush and drive belt regularly for wear or damage. You should also clean the brush and brush ends of strings, hair, and carpet fibers. These can wrap around the brush and hamper its ability to effectively clean your carpet. Also remove any debris that has accumulated under the brush cover.

1. Unplug cleaner from electrical outlet.
2. Recline handle and turn vacuum cleaner over so bottom side is up.
3. Remove the six screws as shown with a phillips head screwdriver. Lift the brush cover off.
4. Grasp rotating floor brush at both ends and lift.
5. Clean strings, hair and other debris from rotating floor brush, paying particular attention to brush ends.
6. Clean strings, hair and other debris from motor pulley and drive belt areas.
7. Check drive belt carefully for wear, cuts or stressed areas.
8. Check air passageway for obstructions. Remove debris from this area.

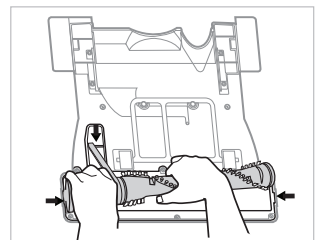


Rotating drum-brush could cause the fringe of a rug to become tangled within cleaner.

Use caution and turn off the drum-brush when vacuuming throw rugs with fringe.

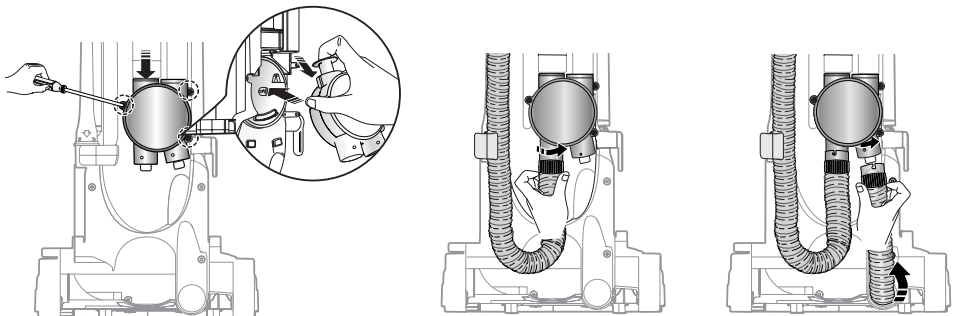
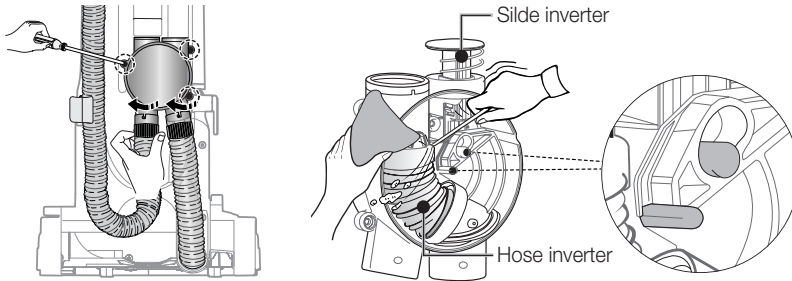
Replace Drive Belt

1. Unplug cleaner from electrical outlet.
2. With rotating floor brush removed from vacuum cleaner grasp old drive belt and remove from motor pulley. Discard old drive belt.
3. Place new drive belt over motor pulley and stretch other end over rotating floor brush in the space between the bristles.
4. Place ends of rotating floor brush down into slots on sides as shown.
5. Turn rotating floor brush by hand several times in the direction of motor pulley. If properly installed, drive belt will center itself on rotating brush crown.
6. Reposition brush cover and screws. Tighten screws securely.



Smart Inverter

1. Unplug cleaner from electrical outlet.
2. Remove 3 screws at back of the vacuum cleaner show with a screwdriver.
3. Clean up the smart inverter inside.
4. Refit hose inverter (Check the position carefully)
5. Refit smart inverter and 3 screws.(When refit the smart inverter while slide inverter pushing down)
6. Slide fully connected hose with the inverter(Check the position carefully)
7. Pull the brush hose on the back of brush and slide fully connected brush hose with inverter.

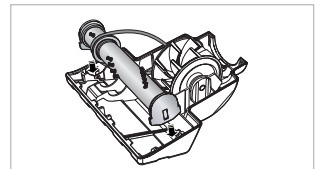
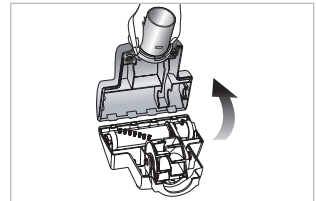
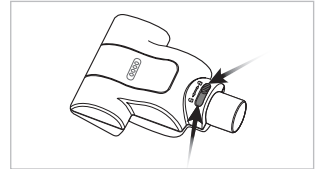


Maintain tools and filter

Carton contents

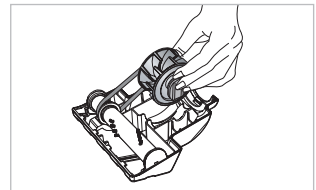
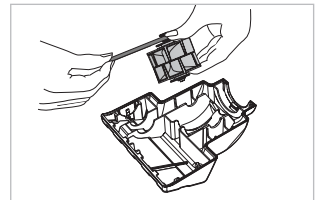
Brushbar Replacement

1. Remove the tool from the pipe, and turn upside down.
Slide the switch to unlock position and remove bottom plate.
2. Remove brushbar and discard.
3. Inspect belt to ensure that it is in good condition. If broken or cracked, please replace. (See below for details.)
4. With the curved ends facing down, slide end plates of brushbar into slots on the tool.
5. To replace bottom plate, insert the four tabs on edge of bottom plate into slots on front of tool. Pivot bottom plate down and snap closed.



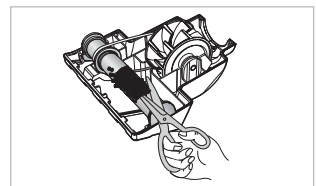
Belt Replacement

1. Grasp turbine and pull firmly to remove.
2. Remove belt from turbine pulley. Replace with new belt.
3. With flat sides of turbine retainers pointing down, slide retainers into grooves in tool housing and snap into place.
4. Replace brushbar and bottom plate.



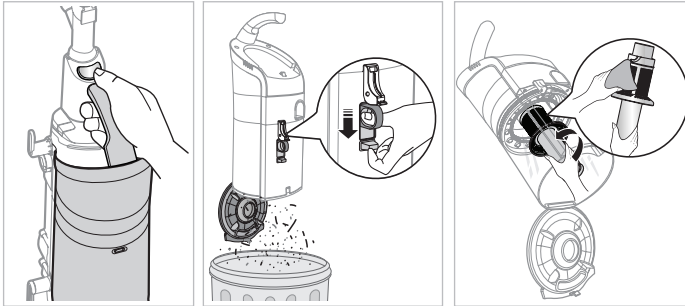
Cleaning Brushbar


Cut off pet hairs or threads surrounding brush by using scissors.



EMPTYING THE DUST BIN

To remove dust bin from vacuum cleaner, push the dust bin release button.
Hold dust bin and push down bin release empty button to empty.
Turn grille cyclone for easy dust removal.
Ensure bin is empty and close dust bin base.



-  When emptying any vacuum cleaner it is difficult to avoid exposure to dust. To minimize this risk, please ensure that you encase the dust pot in a large bag to empty it and close the bag as tightly as possible round the pot. Remove the pot and close the bag as tightly and quickly as possible and dispose of this immediately. It is advisable to wear disposable gloves and a face mask while emptying the cleaner. If at all possible, ask a non allergy sufferer to empty the dust pot when required.

Maintain tools and filter

Cleaning the dust bin & Re-assembling the dust bin

Push down cyclone release button.

Turn grille cyclone for clean.

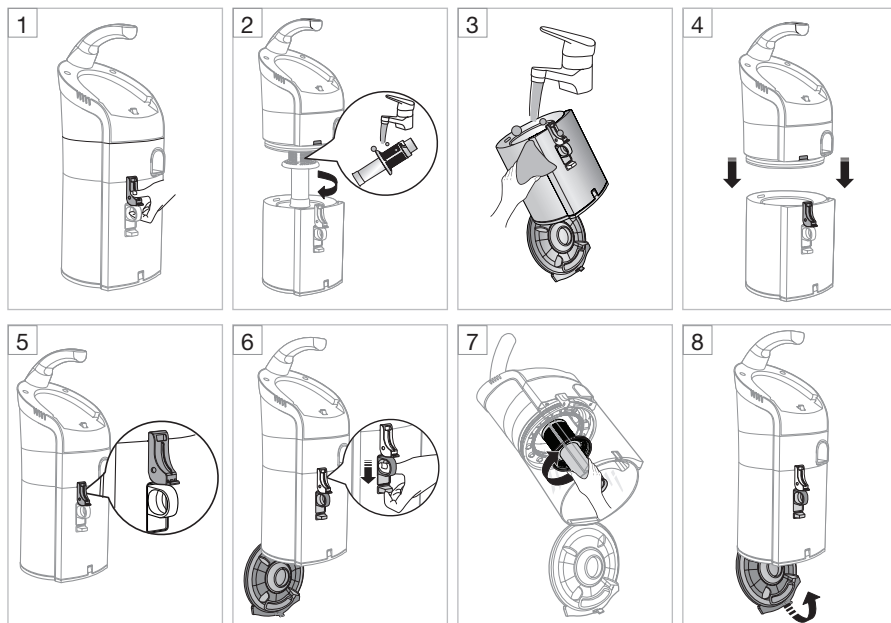
Cleaning the clean bin.

Rinse with cold water only.

Ensure dust bin and grille is completely dry before refitting Fit cyclone assembly

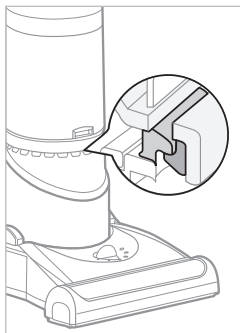
inside the bin Line up the front and rear guides and push down secure.

Push down bin release empty button and refit the grille cyclone Close dust bin base.



Check the assembling dust bin base and body grille.

Ensure that dust bin assembly is positioned properly.



WASHING YOUR FILTER

 For safety, Turn power off and unplug before checking for blockages.

Remove dust bin from Vacuum cleaner.

Unlock the cover filter.

Lift filter release catch and remove filter.

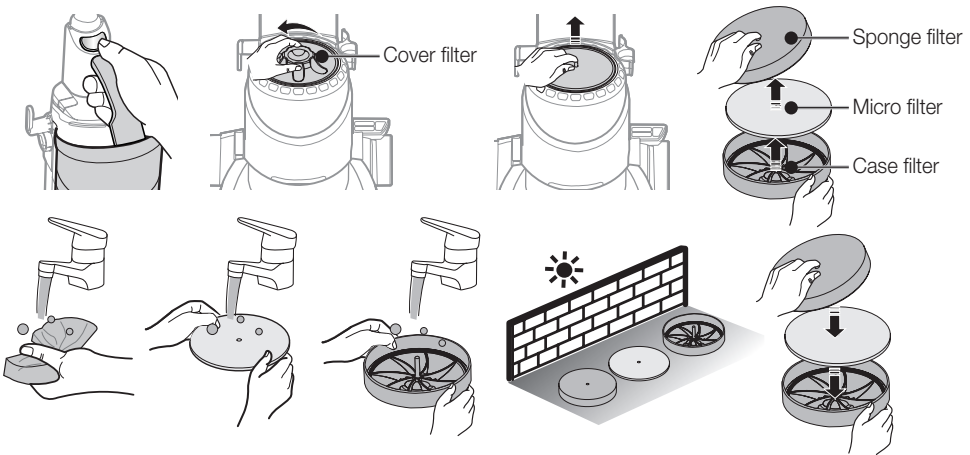
Separate sponge filter and case filter.

Wash filter and case in cold water only.

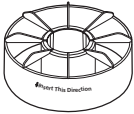
Repeat until water runs clear.

Dry for at least 12 hours.

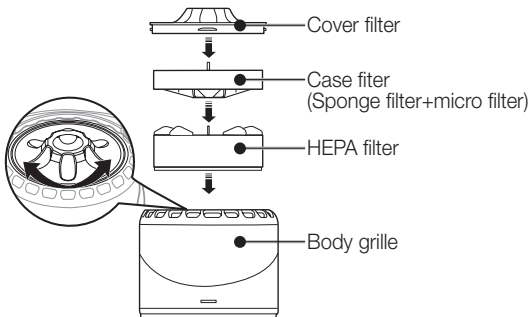
Ensure filter is completely dry before Refitting onto the vacuum cleaner.



The HEPA filter should be replaced every 6 months.



Check the assembling order when Re-assembling the filter.



Trouble shooting

Check this list of possible problems and solutions before bring your vacuum to a service center

Problem	Possible solution
Vacuum cleaner won't turn on	
<ul style="list-style-type: none"> • Not properly plugged into electrical outlet. • Vacuum cleaner not turned on. • No electricity in the electrical outlet. 	<ul style="list-style-type: none"> • Plug unit in firmly • Press on/off button • Check fuse or breaker
Vacuum cleaner won't Pick up / Loss of suction	
<ul style="list-style-type: none"> • Circuit breaker tripped • Agitator brush rolls worn • Dust bin full • Incorrect carpet height setting • Broken belt • One or both filters are clogged 	<ul style="list-style-type: none"> • Reset circuit breaker • Replace brush rolls • Dust bin release empty button to empty • Set carpet height adjustment to appropriate • Replace belt • Remove, clean and replace filters
Dust escaping from the vacuum cleaner	
<ul style="list-style-type: none"> • Dust bin full • Dust bin not installed • HEPA filter clogged • Dust bin not properly installed • Filter assembly not assembled properly • Pre-filter clogged 	<ul style="list-style-type: none"> • Empty dust bin • Review dust bin replacement • Replace HEPA filter • Ensure that dust bin assembly is positioned properly • Ensure that filter assembly is positioned properly. • Clean pre-filter

If you have any questions or comments relating to Samsung products, please contact the SAMSUNG customer care center.

COUNTRY	CALL	OR VISIT US ONLINE AT
AUSTRALIA	1300 362 603	www.samsung.com/au
HONG KONG	3698-4698	www.samsung.com/sg
MALAYSIA	1800-88-9999	www.samsung.com/my
SINGAPORE	1800-SAMSUNG (7267864)	www.samsung.com/sg

Code No. DJ68-00264B (REV 0.1)

Free Manuals Download Website

<http://myh66.com>

<http://usermanuals.us>

<http://www.somanuals.com>

<http://www.4manuals.cc>

<http://www.manual-lib.com>

<http://www.404manual.com>

<http://www.luxmanual.com>

<http://aubethermostatmanual.com>

Golf course search by state

<http://golfingnear.com>

Email search by domain

<http://emailbydomain.com>

Auto manuals search

<http://auto.somanuals.com>

TV manuals search

<http://tv.somanuals.com>