

SANGEAN


User Manual

WFT-1



Contents

<i>Important safety instructions</i>	2-3
<i>Controls</i>	4-5
<i>Remote control</i>	6
<i>Before you can use this product</i>	7
<i>Language setup</i>	7
<i>Connecting to wired network</i>	7
<i>Connecting to a wireless network</i>	8
<i>After you have connected to your network</i>	8
<i>Listen to the Internet Radio</i>	8-10
<i>My favorite and My added station</i>	11-13
<i>Clock Operation</i>	14-17
<i>Radio station preset</i>	18
<i>Music player</i>	19-23
<i>Internet Software Upgrade</i>	24-25
<i>Factory reset</i>	25
<i>Radio Information</i>	25
<i>Troubleshooting – connecting to an internet station</i>	26
<i>Headphone socket</i>	27
<i>Line out socket (3.5mm Jack)</i>	27
<i>Specification</i>	28

Important safety instructions

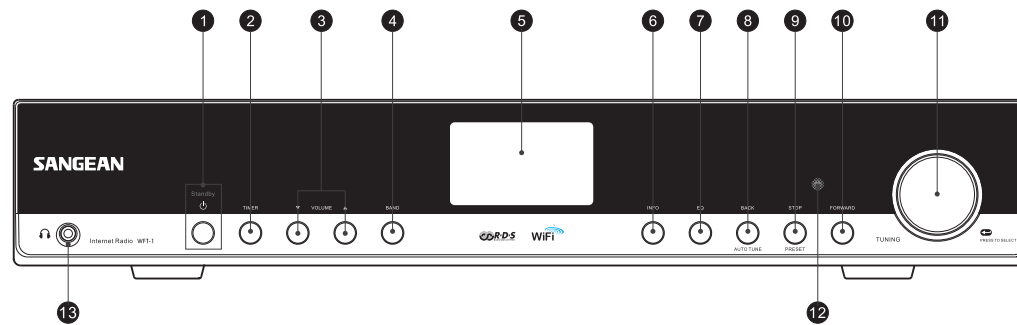
1. Read and understand all safety and operating instructions before the radio is operated.
2. Retain instruction: The safety and operating instructions should be retained for future reference.
3. Heed warnings. All warnings on the appliance and operating instructions should be followed.
4. Follow all operations and use instructions.
5. Water and moisture: The appliance should not be used near water. Do not use near a bathtub, washbowl, laundry tub, kitchen sink, wet basement, swimming pool, etc.
6. Unplug the radio from the AC power outlet before cleaning. Use only a damp cloth for cleaning the exterior of the radio. Clean the radio only with dry cloth.
7. Do not place the radio on an unstable cart, stand, bracket or table. The radio may fall, causing serious personal injury and damage to the radio.
8. Ventilation: This radio should be situated  so that its location or position does not interfere with its proper ventilation. For example, the radio should not be used on a bed, sofa, rug or other soft surfaces that may block the ventilation openings. It should not be placed in a built-in situation like a cabinet that may reduce air flow through the ventilation openings.
9. Don't install near any heat sources such as radiators, heat registers, stoves, or other apparatus (include amplifiers) that produce heat.
10. Don't install defeat the safety purpose of the polarized or grounding-type plug. A polarized plug has two blades with one wider than the other. A grounding-type plug has two blades and a third grounding prong. The wide blade or the third prong are provided for your safety. If the provided plug doesn't fit into your outlet, consult an electrician for replacement of the obsolete outlet.
11. Power sources: The radio should be operated only from the type of power source indicated on the marking label. If you are not sure of the type of power supply to your home, consult your radio dealer or power company.
12. Power cords: The power cord should be positioned so it is not walked on, pinched, or items placed on top of it. Pay particular attention to cords at plugs, convenience receptacles, and the point where they exit from the unit. Unplug the power cord by gripping the power plug, not the cord. Operate the radio using only the current type of power source indicated. If you are not sure of the type of power supply to your home, consult your dealer or local power company.
13. Do not overload wall outlets or extension cords. This can result in a risk of fire or electrical shock. Never insert objects of any kind into the radio through opening. The objects may touch dangerous voltage points or short out parts. This could cause a fire or electrical shock.

GB

- 
- 
14. Only use attachment/accessories specified by the manufacture.
 15. If the radio is left attended and unused for long periods of time, unplug it form the wall outlet. This will prevent damage caused by lightning or power line surges.
 16. If the radio is left unattended and unused for a long period of time, remove the batteries. The batteries may leak and damage furniture of your radio.
 17. Do not attempt to service the receiver yourself. Removing the cover may expose you to dangerous voltage, and will void the warranty. Refer all servicing to authorized service personnel.
 18. Object and Liquid Entry-Never push objects of any kind into this radio through opening as they may touch dangerous voltage points or short-out parts that could result in a fire or electric shock. Never spill liquid of any kind of product.
 19. The appliance should be serviced by qualified service personnel when:
 - A. The power supply cord or the plug has been damaged.
 - B. Objects have fallen or liquid had been spilled into the radio.
 - C. The radio has been exposed to rain or water.
 - D. The radio does not appear to operate normally or exhibits a marked change in performance.
 - E. The radio has been dropped, or the enclosure damaged.

Controls

(Front)



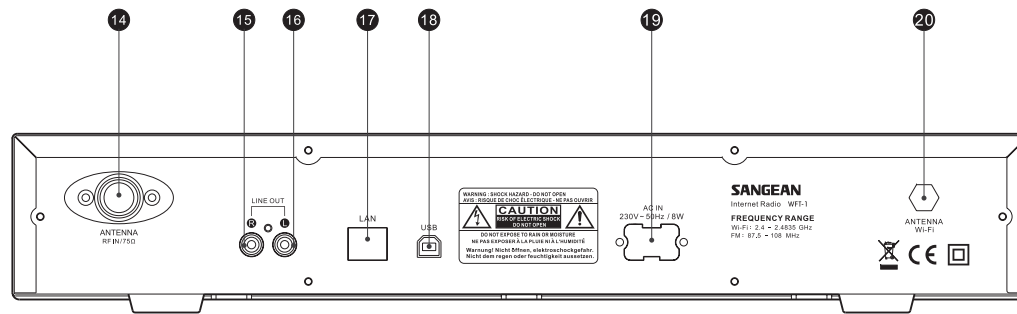
1. POWER button
2. TIMER button
3. VOLUME button
4. BAND button
5. LCD display
6. INFO button
7. EQ button

8. BACK button
9. STOP button
10. FORWARD button
11. TUNING knob
12. Infra-red sensor
13. Headphone socket

GB

Controls

(Rear)

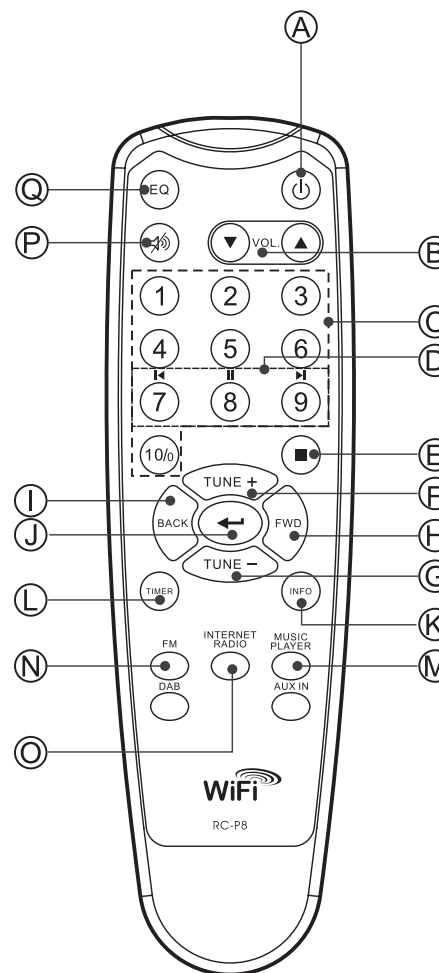


- 14. FM antenna
- 15. LINE OUT jack (right)
- 16. LINE OUT jack (left)
- 17. LAN socket (Ethernet)

- 18. USB socket
- 19. Power cord socket
- 20. Wi-Fi antenna

Remote control

- A. Power button
- B. VOLUME buttons
- C. Radio Preset buttons 1-6 and 10.
- D. Radio Preset buttons 7-9 also for back, pause and forward
- E. STOP button
- F. TUNE UP button
- G. TUNE DOWN button
- H. Forward button
- I. Back button
- J. Enter button
- K. INFO button
- L. TIMER button
- M. Music player button
- N. FM button
- O. iRadio button
- P. Mute button
- Q. EQ button



GB

Before you can use this product

Before you can use your Internet radio, you must have the following:

- A broadband Internet connection or
- A wireless access point (Wi-Fi) or a wired Ethernet connection (10 or 100 M bits/sec with RJ45 connection) connected to your broadband Internet, preferably via a router. In many cases the broadband modem, router and wireless access point will be a single combined unit supplied by your Internet Service Provider or bought from a computer store.
- If your wireless network is configured to use Wired Equivalent Privacy (WEP) or Wi-Fi Protected Access (WPA) data encryption then you need to know the WEP or WPA key so you can get the Internet radio to communicate with the network.

IMPORTANT:

Before you continue, make sure that your wireless access point or router is powered up and working with your broadband Internet service (use your computer to verify this). To get this part of the system working you must read the instructions supplied with the wireless access point or router.

Language setup

(The direction of Language setup is

Main menu > System setup > Language)

1. Language setup selects the user interface language.
2. Press the Back button if needed until "Main menu " is shown.
3. Rotate and press the TUNING knob to enter "Main menu", then enter "System setup", then "Language".
4. Rotate and press the TUNING knob to select the language of user interface.

7

Connecting to wired network

(The direction of Wired selection is

System setup > Internet setup > Wizard > Wired)

1. If planning to use a wired network, connect the Ethernet cable into the LAN (RJ-45) socket at the back of the radio.
(If a wired connection is present then the radio will use this in preference to a wireless connection).
2. Turn on the radio by pressing POWER button.
3. Rotate the TUNING knob until "System setup" is shown, then press the TUNING knob.
4. Press the TUNING knob again to enter the Internet setup.
5. Press the Tuning knob again to enter the Wizard, and the display will show "Network wizard scanning", then shows all the internet connections.
6. Rotate the TUNING knob until the "[Wired]" is pointed. Then press the TUNING knob. And the display will show "Please wait connecting" and then show "connected". Then press the BACK button twice to go back to the main menu.

If you have problems with your wired connection, the lights by the LAN (RJ-45) connector may help you to identify the possible cause of the problem:

Green ON = Link established, Flashing = Data transfer

Yellow ON = 100M bps link, OFF = 10M bps link

Connecting to a wireless network

(The direction of Wired selection is

System setup > Internet setup > Wizard > ...)

1. In the environment with WiFi access point (AP), turn on the radio by pressing the POWER button.
2. Rotate the TUNING knob until "System setup" is shown, then press the TUNING knob.
3. Press the TUNING knob again to enter the Internet setup.
4. Press the Tuning knob again to enter the Wizard, and the display will show all the Internet connections.
5. Rotate the TUNING knob until the wireless internet connection you would like to connect with is pointed. Press the TUNING knob.
6. If there is a security password should be entered, the display will show "key:" and use rotating and pressing the TUNING knob to enter the password.
the '<' symbol = back space
the '←' symbol = enter
the 'C' symbol = cancel
7. When the wireless is connected, press BACK button twice to go back to the main menu.

After you have connected to your network

Band selection (under the main menu)

There are 3 bands in this device which are

1. Internet radio
2. Music player
3. FM

There are 3 ways of switch amount these bands,:

- a. Press the BAND button on the unit or
- b. Use the TUNING knob under the main menu or
- c. Press iRadio (Internet Radio), FM , Mplayer or DAB buttons on the remote control.

Listen to the Internet Radio

(The direction of Time menu is **Main menu > Internet radio>...**)

1. Press the POWER button to switch on the radio.
2. When the first item "Internet radio" is pointed, press the TUNING knob. And the radio will play the last played radio station. If you would like to select the Internet radio station, follow the instruction below. (If it is not in the main menu, press the BACK button until you see "Main menu", then press the TUNING knob).
3. Rotate the TUNING knob until the "Station" is pointed, and then press the TUNING button.
4. Then the display shows the 5 ways of internet radio station searching:
* To go back to the previous menu, press the BACK button.

GB

By Location -

enables you to choose a radio station from the list first by geographic region and then by country.

- a. When "Location" is pointed, press the TUNING knob, then the display shows the continents.
- b. Rotate the TUNING knob until the desired continent is pointed, then press the knob to select the continent. Then use the same way to select the country (and state).
- c. Use the same way to select the music type.
- d. Press the TUNING knob to select the radio station and listen to it.

By Genre -

enables you to choose radio stations according to their content, for example Classic, Rock, Sport, News, etc.

- a. Rotate the TUNING knob until the "Genre" is pointed. Then press the TUNING knob.
- b. Rotate the TUNING knob to scroll through the list of genre (music types), and press the TUNING knob to select the music type.
- c. Use the same way to select the country.
- d. Use the same way to select the radio station and listen to it.

By Search station

- a. Rotate the TUNING knob until the "Search station" is pointed. Then press the TUNING knob.
- b. Rotate the TUNING knob, the display will show the numbers and letters.
- c. Input the key word of the radio station name you would like to search for, by rotating the TUNING knob, pressing the BACK, FORWARD buttons to select the letter or number, and press the TUNING knob to input the letter or number. When entering the key, the '<' symbol = back space
the '←' symbol = enter
the 'C' symbol = cancel
- d. When the key word is typed, set the enter '↵' to be flashing then press the TUNING knob. It will pop out the result of radio stations.
- e. Rotate the TUNING knob to select the radio station and press the TUNING knob to enter the radio station.

By Popular station

- a. Rotate the TUNING knob until the "Popular station" is pointed. Then press the TUNING knob.
- b. The display will show the most popular radio stations. Rotate the TUNING knob to select the station, then press it to tune into the station.

By New station

- a. Rotate the TUNING knob until the “New station” is pointed.
Then press the TUNING knob.
- b. The display will show the newest listed radio stations.
Rotate the TUNING knob to select the station, then press it to tune into the station.

Podcast

(The direction of Podcast is

Main menu > Internet radio > Podcast)

Allows users to navigate to Podcast and listen-again services by location, genre, or by doing a search by alphabets.

1. Rotate and press the TUNING knob to navigate to the direction of
Main menu → Internet radio → Podcast.
2. After entering the Podcast sub-menu, it will show 3 searching ways
of Podcast stations, which are Location, Genre and Alphabets.
3. To search by Alphabet, key in the keyword then select enter '↵' by
rotating and pressing the TUNING knob. Or select clear 'C' to end the
Alphabet searching.

My favorite and My added station

The function of my favorite and My added stations allows you to add internet radio stations on Frontier's website and listen to those stations on your radio.

Before the 1st time you use these 2 functions, please follow the instruction to register the website:

1. Rotate the TUNING knob to enter the direction of Main menu>>Internet radio>>Help>>Get access code. The display will show the Access code.
2. Visit the website using your computer <http://www.wifiradio-frontier.com/> then click on "register here" and fill out the form with the access code shown on the display. You can leave blank on "WiFi radio model".

3. After the registration, the webpage shows "My favorite" and "My added station" for operating these 2 functions. After this one time registration, every time you would like to use these functions, just go to the website: and enter the email address and password.





Listen to the FM Radio

(The direction of Time menu is Main menu > FM)

1. Press the POWER button to switch on the radio.
2. Press the FM button on the remote control, then go to step 5, or go to the main menu. (If it is not in the main menu, press the BACK button until you see "Main menu", then press the TUNING knob).
3. Go to the main menu. (If it is not in the main menu, press the BACK button until you see "Main menu", then press the TUNING knob).
4. Rotate the TUNING knob to let the "FM" is pointed, and then press the TUNING button.
5. Rotate the TUNING knob to select the FM radio station frequency, then listen to it.

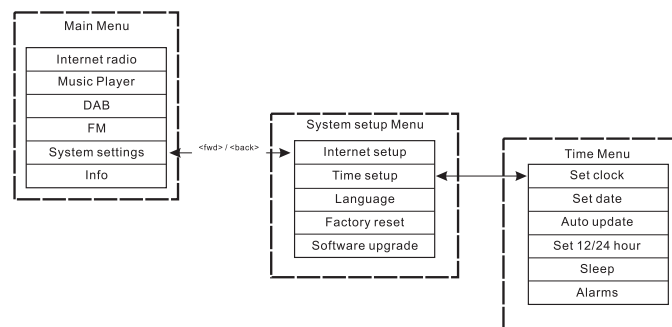
Clock Operation

Setting the time

(The direction of Time menu is

Main menu > System setup > Time setup >Set clock)

1. Go into the main menu. (press the BACK button to go to the top menu if it is not under the top menu). Rotate the TUNING knob until the "Main menu" is pointed. Then press the TUNING knob.
2. Use the same way to enter the "System setup".
3. Use the same way to enter the "Time setup".
4. Use the same way to enter the "Set clock".
5. Rotate the TUNING knob to set the hour digits.
6. Press the TUNING knob and rotate it to set the minute digits.
7. Press the TUNING knob then the time is set.



Setting the date

(The direction of Date menu is

Main menu > System setup > Time setup >Set date)

8. Rotate the TUNING knob until the "Set date" is pointed. Then press the TUNING knob.
9. Rotate the TUNING knob to set the month, then press the TUNING knob.
10. Rotate the TUNING knob to set the date, then press the TUNING knob.
11. Rotate the TUNING knob to set the year, then press the TUNING knob. Then the date is set.

* You can always start over the menu to the top level by pressing the BACK button.

GB

Auto update (for DAB version)

Auto update menu allows the user to select whether or not the time is to be synchronized with the DAB broadcaster clock. If 'No update' is selected, then the clock remains as manually set by the user.

Set 12/24 hour

(The direction of 12/24 hour menu is

Main menu > System setup > Time setup >Set 12/24 hour)

The Set 12/24 hour menu allows selection of clock display format for either 12 or 24 hour.

1. Same way as how to set the time and date: Rotate and press the TUNING knob to enter the Set 12/24 hour, by the direction of Main menu → System settings → Time setup → Set 12/24 hour.
2. Rotate the TUNING knob and press it to "Select Set 12 hour" or "Select Set 24 hour".

Sleep timer

(The direction of Sleep menu is

Main menu > System setup > Time setup >Sleep)

Your radio can be set to turn off after a preset time has elapsed. The sleep setting can be adjusted to 15, 30, 45 or 60 minutes.

1. Press the TIMER button on the front panel and go to #4. Or, go into the main menu. (press the BACK button to go to the top menu if it is not under the top menu). Rotate the TUNING knob until the "Main menu" is pointed. Then press the TUNING knob.
 2. Rotate the TUNING knob to let the "System setup" is pointed, then press the TUNING knob.
 3. Rotate the TUNING knob to let the "Time setup" is pointed, then press the TUNING knob.
 4. Rotate the TUNING knob to let the "Sleep" is pointed, then press the TUNING knob.
 5. Rotate the TUNING knob to set the sleep timer time as 15, 30, 45 or 60 minutes, or off. And press the TUNING knob. And it is set.
- * To turn off the sleep timer, just select "OFF" under the same menu.

Setting alarms

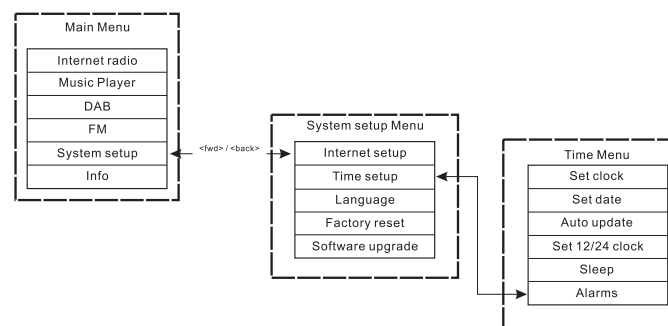
(The direction of Alarm menu is

Main menu > System setup > Time setup > Alarms)

The radio must have the clock / date set to use the alarm functionality.



1. The alarms menu can be accessed in two ways:

- i. Press the TIMER button on the unit or the remote control.
Then rotate the TUNING knob until you see Alarm 1 and Alarm 2.
- ii. As a submenu off the Time menu
(Main menu > System setup > Time setup > Alarms)
 - a. Press the BACK button until you see the "Main menu".
Then press the TUNING knob.
 - b. Rotate the TUNING knob until the "System setup" is pointed, then press the TUNING knob.
 - c. Rotate the TUNING knob until the "Time setup" is pointed, then press the TUNING knob.
 - d. Rotate the TUNING knob until the "Alarms" is pointed, then press the TUNING knob.



2. When you get into the Alarms menu, the display shows Alarm1 and Alarm 2. There are 2 alarms for setting up. Rotate the TUNING knob to select Alarm 1 or Alarm 2, then press the TUNING knob.
3. Set up the alarm time:
 - a. When the "TIME" is pointed, press the TUNING knob.
Then rotate the TUNING knob to set the hour digit.
 - b. Press the TUNING knob and rotate it to set the minutes.
Then press the TUNING knob.
4. Turn on the alarm:
 - a. Rotate the TUNING knob to let the "OFF" is pointed.
 - b. Press the TUNING knob to let it showing "ON".

GB

- 
- 
5. Set the alarm mode (Buzzer, Internet radio, FM, last listed, or Preset)
 - a. Rotate the TUNING knob to let the "Mode" is pointed. Then press the TUNING knob. Then rotate the TUNING knob to select the "Buzzer", "Internet radio", "or FM". Then press the TUNING knob. Or you can also
 - b. Rotate the TUNING knob to let the "Last listed" is pointed, and press the TUNING knob. Then select "Last listed or Preset (if Preset is programmed). And then press the TUNING knob.
 6. Set the alarm Volume:
 - a. Rotate the TUNING knob to let the "Volume" is pointed, and press the TUNING knob.
 - b. Rotate the TUNING knob to adjust the alarm volume. Then press the TUNING knob.
 7. Save the alarm: The settings will not be saved and activated until the 'Save' menu item has been selected. If 'Save' is not selected and the Alarm Setting menu is exited, then any updated values will be lost. Rotate the TUNING knob to let the "Save" is pointed, then press the TUNING knob. Then the alarm is saved and activated.

Turn off the alarm

1. By rotating and pressing the TUNING knob to the direction of Main menu > System setup > Time setup > Alarms.
2. Rotate the TUNING knob to let which alarm you would like to turn off. Then press the TUNING knob.
3. Rotate the TUNING knob to let the "On " is pointed, then press the TUNING knob.
4. Then "OFF" will be shown.
5. Rotate the TUNING knob to let the "Save" is pointed, then press the TUNING knob. Then the alarm is off.

Radio station preset

Presets are available in the following modes:

- Internet Radio
- DAB
- FM

On the remote control, a short press on the numbers is used to recall a preset; a long hold of a key is used to store a preset.

The example below is for DAB:



If the preset is currently unset, then another splash screen is displayed with 'Preset empty' on the bottom line:



In the case of DAB, FM and Internet radio, presets point to a defined service. This is not possible in Music Player mode, which consequently has no presets.



Music player

(Playing music stored in computer)

The Media Player allows you to play audio files which are stored on a computer or a computer on your network.

Your radio supports two file access methods. It can connect to Shared Folders on the network. It can also connect with file server applications using the Universal Plug and Play (UPnP) protocol known as Shared Media.

All of the supported file types are playable in Windows Shares mode. When using a UPnP server, the playable file types are dependant on the server software used. For example, Microsoft Windows Media Player11 can serve MP3, WMA and WAV files. To be able to play the other supported file types via UPnP you may need to install additional third-party software.

When using Windows Shares, music selection is by Artist, by Album and optionally by track within an Album. When using a Shared Media UPnP server, the search and selection criteria are determined by the server, but typically include additional options such as Genre. Many server applications also allow you to access files according to the folders within which they are stored.

Shared Folders Setup

Computer:

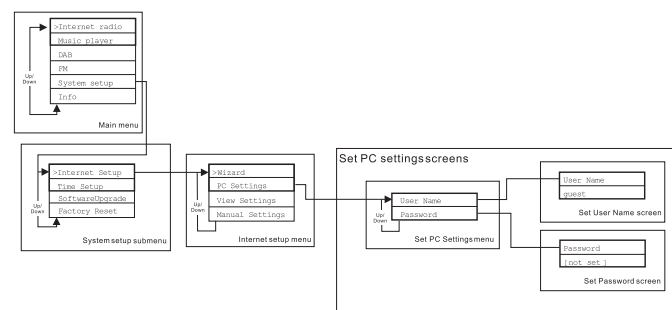
Configuring a shared drive

Setting up your Windows PC to allow the radio to access your audio files via Windows Shares.

1. Ensure that your PC is available on the same network as your Internet radio. Using Windows Explorer, locate the folder where your audio files are stored.
2. Right click on the folder.
3. Select 'Properties'.
4. Click on 'Sharing'.
5. Select 'Share this folder on the network' and 'Allow network users to change my files'.

Wi-Fi Radio:

username and password for PC if one has been set After the shared folders are set on the PC, set up the radio so that it knows the username and password (if one has been set) for the shared folder on the PC. The direction is shown in the figure below:



GB



Locate the audio file of Shared Folders using the radio

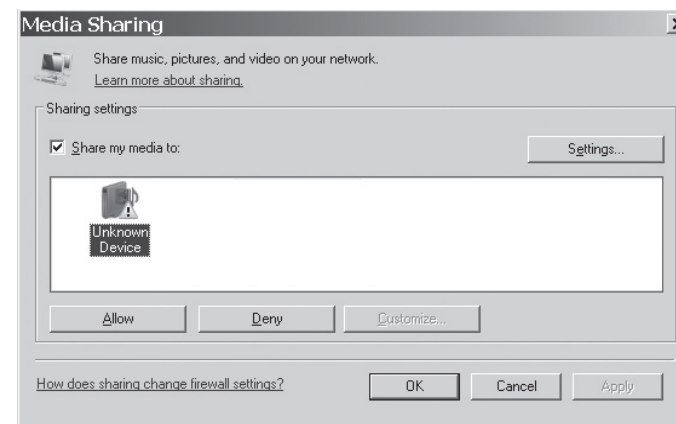
1. Turn on the radio. Press the BACK button and use the TUNING knob to access the Main menu, and under the main menu, access the Shared folders.
2. It will show all the names of computers on the network. Rotate and press the TUNING knob to select the computer. If the computer's security setting is required, the radio may ask for a user name and password.
3. The radio will show all the shared folders. Rotate and press the TUNING knob to select the folder and music you should like to listen to.
4. When the music is playing, use the BACK and FORWARD buttons to select next/previous track, press STOP button to stop the playing.
5. To go back to the previous menu, rotate the TUNING knob and press the BACK button.

Shared Media (UPnP) Set up

Shared Media uses Windows Media Player (WMP) 11 and above as media server. This mode does not require any setting in the radio, but the PC needs to be configured to allow the radio access to the media. You will only have to do it once, following the next steps.

1. If your PC is running Microsoft Windows XP or Windows Vista then you can use Microsoft's Windows Media Player 11 (WMP 11) to act as your UPnP (Universal Plug and Play) media server. If not already installed on your PC, Windows Media Player 11 may be downloaded from Microsoft's website and installed it, or by using Microsoft's Windows Update facility.
2. Once installed, WMP 11 can create a library from all the media files available to it on your PC. To add new media files to the library, select 'File > Add to Library... > Advanced Options', click 'Add' and choose the files you wish to add and click 'OK'.

The Internet radio is presented as an "Unknown Device". Make sure that the device has access to the shared media by selecting it and clicking <Allow>. Then click <OK>. The PC is now ready to stream the music to the radio.



GB

Locate the audio file of Shared Media(UPnP) using the radio

Once the Shared Media (UPnP) server has been configured to share media files with your Internet radio, you select the files that you wish to play as follows:

1. Turn on the radio. Press the BACK button and use the TUNING knob to access the Main menu, and under the main menu, access the Shared Media.
2. It will show all the names of computers on the network. Rotate and press the TUNING knob to select the computer. If the computer's security setting is required, the radio may ask for a user name and password.
3. The radio will now list the media categories which are made available by the UPnP server - for example, 'Music' and 'Playlists'.
4. Rotate and press the TUNING knob repeatedly to select the media files that you wish to play.
5. When the music is playing, use the BACK and FORWARD buttons to select next/previous track, press STOP button to stop the playing.
6. To go back to the previous menu, rotate the TUNING knob and press the BACK button.

Note:

In Shared Media (UPnP) mode the search criteria offered and the file types made available to the radio are a function of the UPnP server software installed on your PC.

Media selection

Whether you access your files using Windows Shares or using Shared Media(UPnP), the file selection mechanisms are the same. The only difference between the two methods is that when using Shared Media (UPnP) you will generally have a wider choice of search criteria, as determined by the Shared Media (UPnP) server software on your computer. Some third party server applications allow customization of the search criteria and indexing methods, which can be useful if you have a very large collection of stored music files.

The selection mechanism allows you to search by a given information type (Album, Artist, etc.) and then to narrow the search, either just to an album or to a particular track within an album. The selected album or track is then added to a queue of tracks to be played. You can add more albums or tracks to the queue while music is playing, or you can jump between tracks in the queue. You can also clear the queue if you wish to make a fresh selection. The searches described here are examples of the possibilities available.

Internet Software Upgrade

There are two mechanisms to upgrade the radio.

Upgrade via Internet

The main one, and the only one available through the menu system is the Internet Software Upgrade. To access this feature:

1. Rotate and press the TUNING knob to navigate to the Software upgrade option in the menu. The direction is:

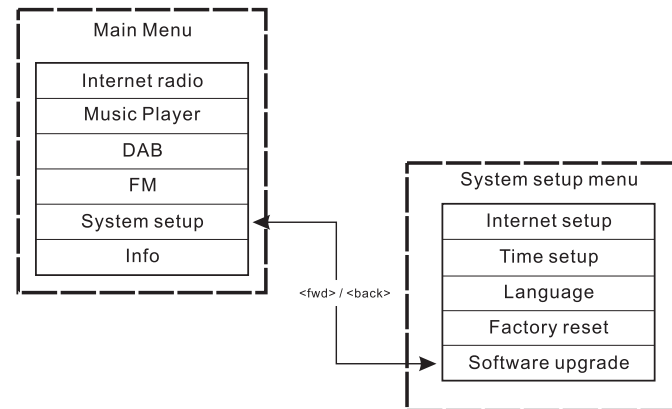
Main Menu → System setup → Software upgrade

If there is a newer version of software available, the user will be asked to confirm the upgrade. Once the process is initiated, a progress bar will show in the display and a splash screen displayed periodically will remind the user not to remove power. This is very important in order to keep the radio operational. If the radio lost power during the upgrade, it may restart automatically in USB upgrade mode.

Once the process completes, the user is presented with the result (either upgrade successful or failed). If successful, pressing <select> will restart the radio with the new software.

Note:

After a software upgrade all the user settings are preserved.



GB

Upgrade via USB

A user may choose to use this method instead of Internet Software Upgrade if a network connection is not available or the power was removed from the radio during Internet software upgrade, the radio needs to have an upgradeable binary within the Flash and you need an upgrade.exe for the binary.

You also need a cable to connect the radio to a PC. Not all releases are provided with suitable .exe upgrade files.

It is important that the USB cable should only be connected during the actual upgrade, and should be removed once the upgrade is complete.

1. Start the upgrade.exe utility on the PC.
2. Utility will ask you to run the Software upgrade wizard on the Wi-Fi radio.
3. If the radio is not yet in upgrade mode (showing the text "Waiting for PC wizard..."), enter the Software upgrade mode by removing the power, then holding down the keys <skip backwd> and <skip fwd> while turning the radio on again.
4. The upgrade will automatically start and takes approximately 2 minutes. Upon completion, the radio will automatically reboot and load the new software.

Factory reset

(The direction of Factory reset is

Main menu > System setup > Factory reset)

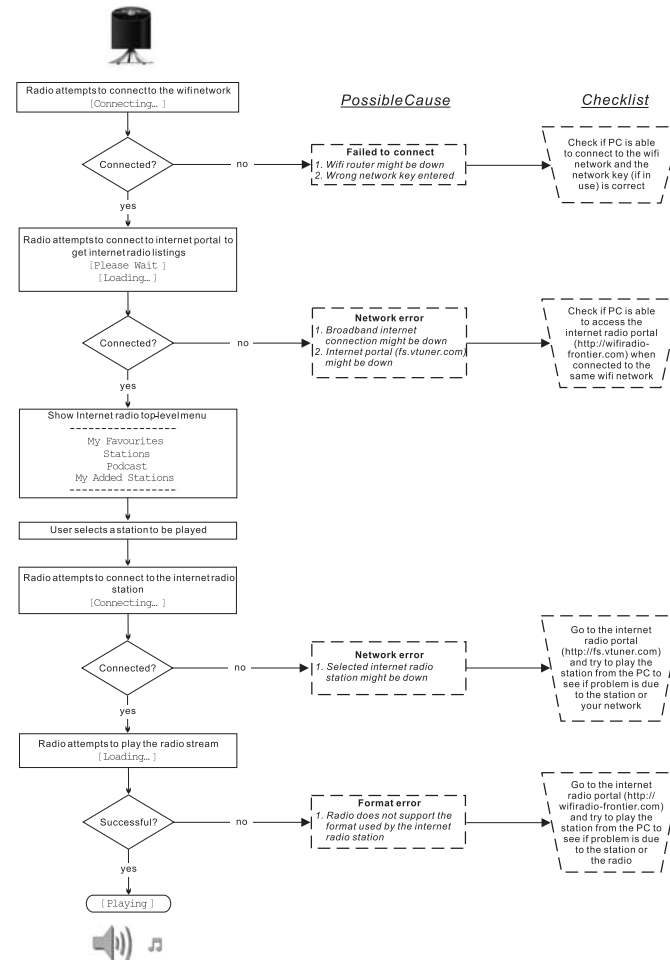
If you wish to completely reset your radio to its initial state this may be performed by following this procedure.

1. Turn on the radio by pressing the POWER button.
2. Rotate and press the TUNING knob to enter the sub-menu of Factory reset. The direction is Main menu > System setup > Factory reset.
3. After entering the Factory reset, and press SELECT to confirm rest. Then press the TUNING knob. And the display will show "Restarting" for several seconds.
4. When the display shows "Welcome to Internet radio", the Factory reset is done.

Radio Information

Under the sub-menu "Info", you can check the radio software version and radio ID. Rotate and press the TUNING knob to navigate the direction of Main menu >Info> and the display will show "SW version", and "Radio ID". Enter either of them to check the information.

Troubleshooting – connecting to an internet station



GB

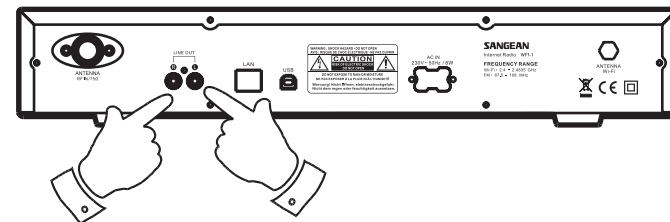
Headphone socket

A 3.5mm Headphone Socket located on the front of your radio is provided for use with headphones.



Line out socket (3.5mm Jack)

A 3.5mm Line Out socket located on the rear of your radio is provided for connecting the audio signal to an external amplifier. Set the volume control on the radio to minimum if desired.



Specification

Power: AC 230 volts, 50 Hz, or AC 110 volts, 60 Hz. 8 Walts.

Connectivity Wired Ethernet Wi-Fi 10/100M bits/sec via RJ-45 802.11b and 802.11g supported WEP and WPA encryption supported. 2.4-2.4835 GHz




If at any time in the future you should need to dispose of this product please note that: Waste electrical products should not be disposed of with household waste. Please recycle where facilities exist. Check with your Local Authority or retailer for recycling advice. (Waste Electrical and Electronic Equipment Directive)

GB

Sommaire

<i>CONSIGNES DE SECURITE IMPORTANTES</i>	30-31
<i>Commandes</i>	32-33
<i>Télécommande</i>	34
<i>Avant de pouvoir utiliser ce produit</i>	35
<i>Configuration de la langue</i>	35
<i>Raccordement à un réseau filaire</i>	35
<i>Raccordement à un réseau sans fil</i>	36
<i>Une fois la connexion à votre réseau établie</i>	36
<i>Ecouter la radio Internet</i>	36-38
<i>Mes favoris et Mes stations radio</i>	39-41
<i>Fonctionnement de l'horloge</i>	42-45
<i>Présélection de stations radio</i>	46
<i>Lecteur audio</i>	47-51
<i>Logiciel de mise à niveau depuis Internet</i>	52-53
<i>Configuration d'usine</i>	53
<i>Informations sur la radio</i>	53
<i>Dépannage-connexion à une station radio internet</i>	54
<i>Le connecteur Ecouteurs</i>	55
<i>Le connecteur Line out (connecteur 3.5 mm)</i>	55
<i>Spécifications techniques</i>	56

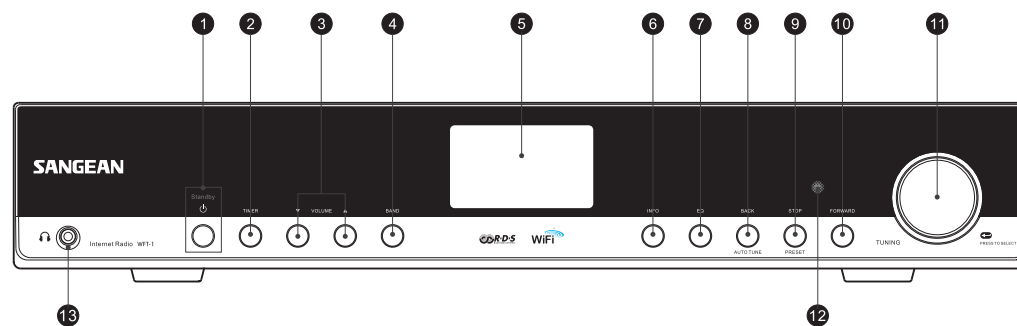
Consignes de sécurité importantes

1. Lire et comprendre toutes les consignes de sécurité et d'utilisation avant d'allumer l'appareil.
2. Les consignes de sécurité doivent être conservées pour une éventuelle consultation ultérieure.
3. Toutes les consignes d'utilisation et avertissements concernant l'appareil devraient être suivies.
4. Suivre toutes les consignes et instructions d'utilisation.
5. Eau et humidité: L'appareil ne doit pas être utilisé près de l'eau. Ne pas utiliser près d'une baignoire, cuvette, évier, sous-sol humide, piscine, etc.
6. Débrancher la radio du secteur avant nettoyage. Employer seulement un tissu humide pour le nettoyage extérieur de la radio.
7. Ne pas placer la radio sur un support instable, table, chariot etc. La radio risquerait de tomber ce qui pourrait gravement l'endommager.
8. Ventilation: Cette radio devrait être située  de sorte que son emplacement n'interfère pas avec sa propre ventilation. Exemple, la radio ne doit pas être utilisée sur un lit, sofa, couverture ou autres surfaces qui risqueraient de bloquer les orifices de ventilation. Ne pas placer l'appareil dans des endroits clos comme un coffre ce qui réduirait le débit d'air nécessaire à sa propre ventilation.
9. N'installez pas cet appareil près de sources de chaleur telles qu'un radiateur, conduit d'air chaud, poêle ou autres appareils (en incluant les amplificateurs) qui produisent de la chaleur.
10. Ne démontez pas le dispositif de sécurité de la fiche polarisée mise à la terre. Une fiche polarisée possède deux broches, dont une plus large que l'autre. Une fiche mise à la terre possède deux broches ainsi qu'une troisième broche de mise à la terre. La large broche ou troisième broche sont fournies pour assurer votre sécurité. Si la fiche ne s'adapte pas à votre prise murale, contactez un électricien afin que celui-ci procède au remplacement de la prise de courant obsolète.
11. Source d'énergie: La radio devrait être utilisée seulement avec la source d'énergie indiquée sur l'étiquette de l'appareil. Si vous n'êtes pas sûr du type d'alimentation dans votre habitation, consultez votre revendeur ou la compagnie d'électricité.
12. Cordon électrique: Le cordon électrique devrait être placé de manière à ne pas marcher dessus, pincer ou placer des objets sur celui-ci. Prêter une attention particulière au cordon électrique et à la prise, surtout à la sortie de l'appareil. Débrancher l'appareil en saisissant la prise et non pas le cordon lui-même. Utiliser la radio seulement avec le type d'alimentation indiqué sur l'appareil. Si vous n'êtes pas sûr de la source d'énergie présente à votre domicile, consultez votre revendeur ou la compagnie d'électricité.

13. Ne pas surcharger les prises murales ou les rallonges électriques. Ceci peut avoir comme conséquence un risque d'incendies ou d'électrocution. Ne jamais insérer d'objet d'aucune sorte dans la radio ni dans les ouvertures. L'objet pourrait entrer en contact avec des parties électrifiées et créer des surtensions, chocs électriques ou des incendies.
14. Utilisez seulement les pièces/accessoires fournies par le fabricant.
15. Si vous n'utilisez pas la radio pendant une longue période de temps, débranchez le cordon d'alimentation de la prise murale, ceci afin d'éviter tout dommage occasionné par la foudre ou par une surtension.
16. Si vous n'utilisez pas la radio pendant une longue période de temps, retirez les batteries. Les batteries peuvent fuir et endommager la radio.
17. Ne pas essayer d'entretenir l'appareil vous-même. Retirer le capot vous exposera à des tensions électriques dangereuses et annulera la garantie. Adressez-vous à un réparateur qualifié.
18. Ne jamais insérer d'objet ou de liquide d'aucune sorte par les ouvertures de l'appareil, ceux-ci pourraient entrer en contact avec des parties de l'appareil sous tension et pourrait provoquer des incendies ou des chocs électriques. Ne jamais renverser de liquide d'aucune sorte sur l'appareil.
19. L'appareil doit être entretenu par du personnel qualifié quand:
- A. Le cordon d'alimentation ou la prise est endommagé.
 - B. Des objets sont tombés ou du liquide a été renversé sur la radio.
 - C. La radio a été exposée à de la pluie ou à de l'eau.
 - D. La radio semble fonctionner de manière anormale ou vous remarquez un changement dans son fonctionnement.
 - E. La radio est tombée ou son aspect extérieur est endommagé.

Commandes

(Panneau avant)



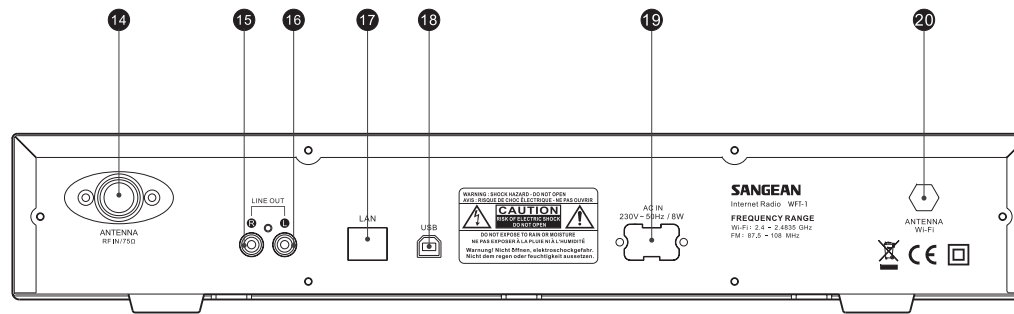
1. Touche POWER
2. Touche TIMER
3. Touche VOLUME
4. Touche BAND
5. Ecran LCD
6. Touche INFO
7. Touche EQ

8. Touche BACK
9. Touche STOP
10. Touche FORWARD
11. Commande de réglage TUNING
12. Capteur infrarouge
13. Connecteur Ecouteurs

F

Commandes

(Panneau arrière)



14. Antenne FM

15. Connecteur LINE OUT (droite)

16. Connecteur LINE OUT (gauche)

17. Connecteur LAN (Ethernet)

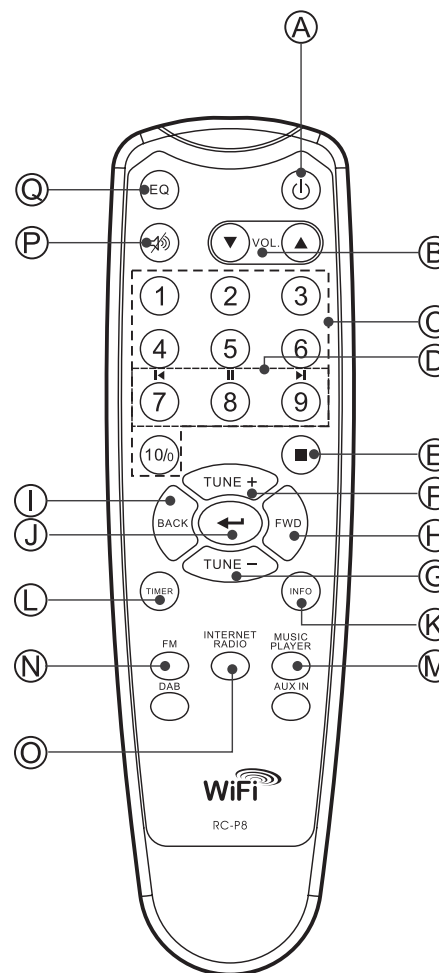
18. Connecteur USB

19. Connecteur Alimentation

20. Antenne WI-FI

Télécommande

- A. Touche Power
- B. Touches VOLUME
- C. Touche de présélection radio 1-6 et 10.
- D. Touche de présélection radio 7-9, retour, pause et rebobinage.
- E. Touche STOP
- F. Touche TUNE HAUT
- G. Touche TUNE BAS
- H. Touche Rembobinage
- I. Touche Back
- J. Touche Enter
- K. Touche INFO
- L. Touche TIMER
- M. Touche Music player
- N. Touche FM
- O. Touche iRadio
- P. Touche Mute
- Q. Touche EQ



F

Avant d'utiliser cet appareil

Avant d'utiliser cette radio internet, vous devez être équipé de manière suivante:

- Une connexion internet haut débit.
- Un point d'accès sans fil (Wi-Fi) ou connexion filaire Ethernet (10 ou 100 Mbits/sec avec connexion RJ45) relié à votre connexion internet haut débit, de préférence via un routeur. Dans la plupart des cas un modem haut débit, routeur ou point d'accès sans fil sera un boîtier unique fournis par votre fournisseur d'accès internet ou acheté dans une boutique d'informatique.
- Si votre réseau sans fil est configuré pour utiliser le cryptage "Wired Equivalent Privacy" (WEP) ou "Wi-Fi Protected Access" (WPA) il vous sera nécessaire de connaître la clé de cryptage de manière à ce que la radio internet puisse communiquer avec le réseau.

IMPORTANT:

Avant de continuer, assurez-vous que votre point d'accès sans fil ou routeur est sous tension et qu'il marche parfaitement avec votre réseau informatique existant (utilisez votre ordinateur pour vous en assurer). Pour que cette partie de votre système fonctionne, vous devez lire les instructions fournies avec votre point d'accès sans fil ou de votre routeur.

Configuration de la langue

(Le chemin d'accès à Configuration de la langue est Menu principal>Configuration système>Langue)

1. La Configuration de la langue permet de sélectionner la langue d'interface utilisateur.
2. Appuyez sur la touche Back si besoin jusqu'à ce que "Menu principal" s'affiche.
3. Faites tourner et appuyez sur la commande de réglage TUNING pour accéder au "Menu principal", accédez ensuite à "Configuration système", puis "Langue"
4. Faites tourner et appuyez sur la commande de réglage TUNING sélectionner la langue d'interface utilisateur.

35

Raccordement à un réseau filaire

(Le chemin d'accès à la sélection du réseau Filaire est Configuration système>Configuration Internet>Assistant>Filaire)

1. Si vous comptez utiliser un réseau filaire, raccordez votre câble Ethernet au connecteur LAN (RJ-45) situé sur le panneau arrière de la radio.
2. Mettez en marche la radio en appuyant sur la touche POWER.
3. Tournez la commande de réglage TUNING de l'unité, "Configuration système" s'affiche, appuyez ensuite sur la commande de réglage TUNING.
4. Appuyez sur la commande de réglage TUNING à nouveau pour accéder à Configuration Internet
5. Appuyez sur la commande de réglage TUNING à nouveau pour accéder à l'assistant, "Assistant de recherche réseau" s'affiche ensuite, toutes les connexions internet s'affichent ensuite.
6. Tournez la commande de réglage TUNING de l'unité pour mettre en surbrillance l'option "Filaire". Appuyez ensuite sur la commande de réglage TUNING. Les messages "Connexion en cours, veuillez patienter" puis "connecté" s'affichent. Appuyez ensuite deux fois sur la touche BACK pour revenir au menu principal.

Si vous rencontrez des problèmes lors de la connexion au réseau filaire, les témoins lumineux du connecteur LAN(RJ-45) vous aideront à identifier la cause du problème :

Vert allumé =liaison établie, clignote=transfert de données

Jaune allumé = liaison à 100M bps, éteint = liaison à 10M bps.

Raccordement à un réseau sans fil

(Le chemin d'accès à la sélection du réseau filaire est **Configuration système>Configuration Internet>Assistant**)

1. Lorsque vous disposez d'un point d'accès WiFi (AP), mettez en marche la radio en appuyant sur la touche POWER
2. Tournez la commande de réglage TUNING jusqu'à ce que "Configuration système" s'affiche, appuyez ensuite sur la commande de réglage TUNING.
3. Appuyez sur la commande de réglage TUNING à nouveau pour accéder à l'option Configuration Internet
4. Appuyez sur la commande de réglage TUNING à nouveau pour accéder à l'assistant, toutes les connexions internet s'affichent ensuite.
5. Tournez la commande de réglage TUNING de l'unité pour mettre en surbrillance la connexion internet sans fil à laquelle vous souhaitez vous connecter. Appuyez sur la commande de réglage TUNING.
6. S'il vous est demandé d'entrer un mot de passe, l'écran affiche "clé". Utilisez et appuyez sur la commande de réglage TUNING pour entrer le mot de passe.
Le < symbole=Espace
Le ← symbole=enter
Le C symbole=Annuler
7. Une fois la connexion sans fil établie, appuyez deux fois sur la touche BACK pour revenir au menu principal.

Une fois la connexion à votre réseau établie

Sélection de la bande (sous le menu principal)

3 options sont disponibles :

1. Radio Internet
2. Lecteur audio
3. FM

Il existe trois manières de basculer entre ces modes.

- a. Appuyez sur la touche Band de l'unité ou
- b. Utilisez la commande de réglage TUNING sous le menu principal ou
- c. Appuyez sur la touche Radio (Radio Internet), FM, lecteur MP3 ou les touches DAB de la télécommande.

Ecouter la radio Internet

(le chemin d'accès au menu Heure est **Main Menu>Radio Internet.**)

1. Appuyez sur la touche POWER pour mettre en marche la radio
2. Lorsque le premier élément "Radio Internet" est mis en surbrillance, appuyez sur la commande de réglage TUNING. La radio lira la dernière station radio que vous avez écoutée.
Lorsque vous souhaitez sélectionner la station radio Internet, suivez les instructions ci-dessous. (Si vous ne vous trouvez pas dans le menu principal, appuyez sur la touche BACK jusqu'à ce que vous aperceviez "Menu principal", appuyez ensuite sur la commande de réglage TUNING.
3. Tournez la commande de réglage TUNING jusqu'à ce que "Station" soit mise en surbrillance, and appuyez ensuite sur la touche TUNING.
4. L'écran affiche ensuite les 5 façons de rechercher une station radio sur internet :

* Pour revenir au menu précédent, appuyez sur la touche BACK.

F

Par emplacement-

Cette option vous permet de choisir une station radio à partir de la liste par continent et par pays.

- a. Lorsque "Location" est mise en surbrillance, appuyez sur la commande de réglage TUNING, les continents s'affichent.
- b. Tournez la commande de réglage TUNING jusqu'à ce que le contenu désiré soit mis en surbrillance. Appuyez ensuite sur la touche pour sélectionner un continent. Procédez ensuite de même pour sélectionner un pays (et l'état)
- c. Procédez de même pour sélectionner un type de musique.
- d. Appuyez sur la commande de réglage TUNING pour sélectionner une station radio et l'écouter.

Par genre-

Cette option vous permet de choisir une station radio selon leur contenu, par exemple Classique, Rock, Sport, Actualités, etc.

- a. Tournez le bouton TUNING jusqu'à ce que "Genre" apparaisse. Puis appuyez sur le bouton TUNING.
- b. Tournez le bouton TUNING pour accéder à la liste des genres (types de musique, puis appuyez sur le bouton TUNING pour sélectionner le type de musique.
- c. Procédez de la même manière pour sélectionner le pays
- d. Procédez de la même manière pour sélectionner une station de radio et l'écouter.

Recherche de station

- a. Tournez la commande de réglage TUNING jusqu'à ce que the "Rechercher une station" soit mis en surbrillance. Appuyez ensuite sur la commande de réglage TUNING
- b. Tournez la commande de réglage TUNING, l'écran affiche les chiffres et les lettres.
- c. Entrez un mot clé ou un nom de station radio que vous recherchez en tournant la commande de réglage TUNING, appuyez sur la touche BACK, FORWARD pour sélectionner une lettre ou un chiffre, and appuyez sur la touche TUNING pour entrer une lettre ou un chiffre. Lorsque vous entrez la clé, vous pouvez utiliser:
<=retour arrière
← =enter
C=Annuler
- d. Une fois la clé entrée, entrez ← qui clignote, appuyez ensuite sur la commande de réglage TUNING. Le résultat de la recherche des stations de radio s'affiche.
- e. Tournez la commande de réglage TUNING pour sélectionner une station radio et appuyez sur la commande de réglage TUNING pour accéder à une station radio.

Par station radio populaire

- a. Tournez la commande de réglage TUNING jusqu'à ce que l'option "Stations radio populaires" est mise en surbrillance. Appuyez ensuite sur la touche TUNING.
- b. Les stations radio les plus populaires s'affichent. Tournez la commande de réglage TUNING pour sélectionner une station, appuyez ensuite dessus pour écouter la station.

Par nouvelles stations

- a. Tournez la commande de réglage TUNING jusqu'à ce que la NOUVELLE station soit mise en surbrillance. Appuyez ensuite sur la touche TUNING.
- b. Les nouvelles stations radio s'affichent. Tournez la commande de réglage TUNING pour sélectionner une station, appuyez ensuite sur la touche pour écouter la station.

Podcast

(le chemin d'accès au Podcast est Menu principal>

Radio Internet>Podcast)

Cette option vous permet de pour naviguer parmi Podcast et d'écouter les nouveaux services par emplacement, genre, ou en effectuant une recherche par lettre.

1. Tournez la commande de réglage et appuyez sur la commande de réglage TUNING pour naviguer dans le Menu principal> Radio Internet> Podcast.
2. Une fois dans le sous-menu Podcast, 3 options de stations Podcast s'affichent, Emplacement, Genre et Lettres.
3. Pour rechercher par lettre, entrez un mot clé puis sélectionnez enter ← en tournant et en appuyant sur la commande de réglage TUNING. Vous pouvez également sélectionner effacer C pour terminer la recherche par lettre.

Mes favoris et Mes stations radio

Les fonctions Mes favoris et Mes stations radios vous permettent de d'ajouter des stations radio internet sur le site internet frontière et d'écouter les stations de votre radio.

Avant la première utilisation de ces deux fonctions, veuillez suivre les instructions pour vous inscrire au site internet:

1. Tournez la commande de réglage TUNING pour accéder au Menu principal>>Radio internet>>Aide>>Obtenir le code d'accès. Le code d'accès s'affiche.
2. Visitez le site internet en utilisant votre ordinateur <http://wifiradio-frontier.com> then cliquez sur "Inscrivez-vous ici" et remplissez le formulaire avec le code d'accès affiché à l'écran. Vous pouvez laisser le champ "Mode radio WiFi" libre

3. Une fois l'inscription terminée, la page internet affiche "Mes favoris" et "Mon inscription, lorsque vous souhaitez pour utiliser ces fonctionnalités, il vous suffit seulement d'accéder au site internet: entrez ensuite l'adresse email et le mot de passe.



A. Mes favoris



1. Une fois sur le site internet, sur l'ordinateur, utilisez la navigation ou la recherche de stations pour trouver une station, cliquez ensuite sur l'icône "Ajouter", la station s'ajoute au répertoire Mes favoris.
2. Tournez la commande de réglage et appuyez sur la commande de réglage TUNING pour accéder au Menu principal>Radio Internet> Mes favoris, la radio affichera les stations que vous avez ajoutées à Mes favoris de votre ordinateur.
3. Tournez la commande de réglage et appuyez sur la commande de réglage TUNING pour accéder à la station que vous souhaitez écouter.

B. Mes stations radios.

Cette option vous permet d'ajouter des stations radio internet lorsque vous connaissez l'adresse internet des stations radio.

1. Une fois sur le site internet, sur l'ordinateur, cliquez sur la flèche située sous Mes stations ajoutées, l'interface suivante s'affiche:
2. Remplissez le formulaire, veuillez noter que l'URL de la station radio doit figurer sur le formulaire comme indiqué sur la page internet.
3. Tournez la commande de réglage et appuyez sur la commande de réglage TUNING de la radio pour accéder à Menu principal>> internet radio>>Mes stations radios. Vous apercevrez ensuite les stations que vous avez ajoutées.
4. Tournez la commande de réglage et appuyez sur la commande de réglage TUNING pour accéder à la station que vous souhaitez écouter.





Ecouter la radio FM

(Le chemin d'accès au menu Heure est Menu principal>FM)

1. Appuyez sur la touche POWER pour mettre en marche la radio.
2. Appuyez sur la touche FM de la télécommande, allez directement à l'étape 5 ou au menu principal. (Si vous ne vous trouvez pas dans le menu principal, appuyez sur la touche BACK jusqu'à ce que vous aperceviez "Menu principal", appuyez ensuite sur la commande de réglage TUNING).
3. Accédez au menu principal. (Si vous ne vous trouvez pas dans le menu principal, appuyez sur la touche BACK jusqu'à ce que vous aperceviez "Menu principal", appuyez ensuite sur la commande de réglage TUNING).
4. Tournez la commande de réglage TUNING pour mettre en surbrillance l'option FM, appuyez ensuite sur la touche TUNING.
5. Tournez la commande de réglage TUNING pour sélectionner la fréquence de la station radio FM que vous souhaitez écouter.

Fonctionnement de l'horloge

Réglage de l'heure

(Le chemin d'accès au menu Heure est

Menu principal>Configuration système>Régler l'horloge)

1. Accédez au menu principal. (Appuyez sur la touche BACK pour accéder au menu racine si vous ne vous trouvez pas dans le menu racine). Tournez la commande de réglage TUNING jusqu'à ce que "Menu principal" soit mis en surbrillance. Appuyez ensuite sur la commande de réglage TUNING.
2. Procédez de même pour accéder à l'option Configuration système
3. Procédez de même pour accéder au réglage de l'horloge
4. Procédez de même pour accéder au mode Réglage de l'horloge
5. Tournez la commande de réglage TUNING pour régler les heures.
6. Appuyez sur la commande de réglage TUNING et tournez-la pour régler les minutes
7. Appuyez sur la commande de réglage TUNING, l'heure est réglée.

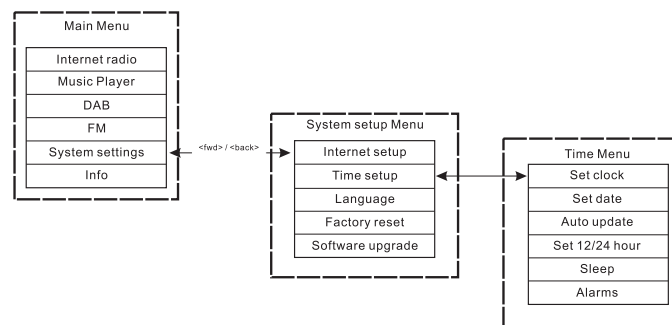
Réglage de la date

(Le chemin d'accès au menu Date est **Menu principal>**

Configuration système>Réglage de l'horloge>Réglage de la date)

8. Tournez la commande de réglage TUNING jusqu'à ce que Réglage de la date soit mise en surbrillance
9. Tournez la commande de réglage TUNING pour régler le mois, appuyez ensuite sur la commande de réglage TUNING.
10. Tournez la commande de réglage TUNING pour régler la date, appuyez ensuite sur la commande de réglage TUNING.
11. Tournez la commande de réglage TUNING pour régler les années, appuyez ensuite sur la commande de réglage TUNING.
La date est alors réglée.

* Vous pouvez toujours démarrer à partir du menu racine en appuyant sur la touche BACK.



Mise à jour automatique (pour la version DAB)

Le menu Mise à jour automatique menu permet à l'utilisateur de synchroniser l'heure avec l'horloge du diffuseur DAB.

Si "Aucune mise à jour" n'est sélectionnée, l'horloge sera alors en mode de réglage manuel.

Réglage du format 12/24 heures

(Le chemin d'accès au menu 12/24 est Menu principal>

Configuration système>Réglage de l'horloge>Set 12/24 heures)

Le menu de réglage du format de l'horloge 12/24 permet à l'utilisateur de sélectionner parmi le format d'horloge 12 ou 24 heures.

1. Comment régler l'heure et la date: Tournez puis appuyez sur le bouton TUNING pour accéder au réglage en 12/24 heures, menu principal → réglage système → Réglage de l'heure → réglage 12/24 heures.
2. Tournez la commande de réglage TUNING et appuyez sur la touche pour sélectionner "12heures" ou "24 heures."

Minuterie Sommeil

(Le chemin d'accès au menu Sommeil est Menu principal>

Configuration système>Réglage de l'horloge-Sommeil)

Votre radio peut être réglée de manière à ce que celle-ci s'éteigne au bout d'une durée définie.

La minuterie sommeil peut être réglée de 15, 30, 45 ou 60 minutes.

1. Appuyez sur la touche TIMER du panneau avant et accédez à #4. Ou accédez au menu principal. (Appuyez sur la touche BACK pour accéder au menu racine si vous ne vous trouvez pas dans le menu racine). Tournez la commande de réglage TUNING jusqu'à ce que le "Menu principal" soit mis en surbrillance. Appuyez ensuite sur la commande de réglage TUNING.
 2. Tournez la commande de réglage TUNING pour mettre en surbrillance l'option "Configuration système", appuyez ensuite sur la commande de réglage TUNING.
 3. Tournez la commande de réglage TUNING pour mettre en surbrillance l'option "Réglage de l'horloge", appuyez ensuite sur la commande de réglage TUNING.
 4. Tournez la commande de réglage TUNING pour mettre en surbrillance l'option "Sommeil", appuyez ensuite sur la commande de réglage TUNING.
 5. Tournez la commande de réglage TUNING pour régler la durée de la minuterie Sommeil de 15, 30, 45 ou 60 minutes, ou Désactivée. Appuyez ensuite sur la commande de réglage TUNING pour régler.
- * Pour désactiver la minuterie Sommeil, il vous suffit juste de sélectionner l'option OFF du même menu.

Réglage des alarmes

(Le chemin d'accès au menu Alarme est Menu principal>

Configuration système>Réglage de l'horloge>Alarmes)

Pour utiliser la fonction Alarme, il est nécessaire d'avoir préalablement réglé l'horloge/la date.

1. Il existe deux manières d'accéder au menu Alarme:

I. Appuyez sur la touche TIMER de l'unité ou de la télécommande.

Tournez ensuite la commande de réglage TUNING jusqu'à ce que vous aperceviez Alarme 1 et Alarme 2.

II. Il s'agit d'un sous-menu du menu Heure (Menu principal>

Configuration système>Réglage de l'horloge>Alarmes)

a. Appuyez sur la touche BACK jusqu'à ce que vous aperceviez

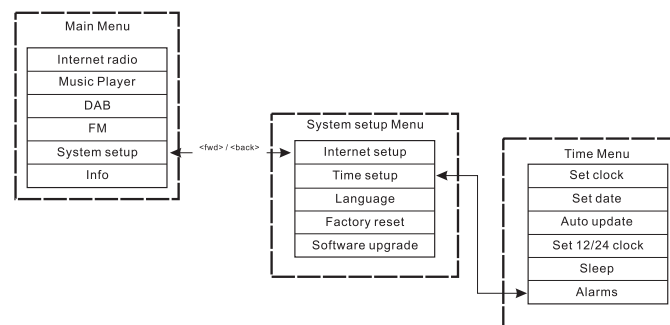
le Menu principal. Appuyez ensuite sur la commande de réglage TUNING.

b. Tournez la commande de réglage TUNING jusqu'à ce que l'option Configuration système soit mise en surbrillance. Appuyez ensuite sur la commande de réglage TUNING.

c. Tournez la commande de réglage TUNING jusqu'à ce que "Réglage de l'horloge" soit mis en surbrillance, appuyez ensuite sur la commande de réglage TUNING.

d. Tournez la commande de réglage TUNING jusqu'à ce que l'option "Alarme" soit mise en surbrillance, appuyez ensuite sur la commande de réglage TUNING.

2. Lorsque vous accédez au menu Alarme, l'écran affiche l'Alarme1 et l'Alarme 2. Deux alarmes sont disponibles. Tournez la commande de réglage TUNING pour sélectionner Alarme 1 ou Alarme 2, appuyez ensuite sur la commande de réglage TUNING.



3. Réglage de l'alarme:

- a. Une fois l'option "HEURE" mise en surbrillance, appuyez sur la commande de réglage TUNING. Tournez ensuite la commande de réglage TUNING pour régler les heures.
- b. Appuyez sur la commande de réglage TUNING et tournez-la pour régler les minutes, appuyez ensuite sur la commande de réglage TUNING.

4. Activation de l'alarme

- a. Tournez la commande de réglage TUNING pour mettre en surbrillance l'option OFF.
- b. Appuyez sur la commande de réglage TUNING pour sélectionner ON.

5. Définissez le mode d'alarme (Buzzer, Radio internet, FM, Dernières sélectionnées, ou Présélectionnées)

- a. Tournez la commande de réglage TUNING pour mettre en surbrillance l'option "Mode". Appuyez ensuite sur la commande de réglage TUNING. Tournez ensuite la commande de réglage TUNING sélectionner l'option "Buzzer", "internet Radio" ou FM. Appuyez ensuite sur la touche TUNING. Vous pouvez aussi:
- b. Tournez la commande de réglage TUNING pour mettre en surbrillance l'option "Dernières sélectionnées", appuyez sur la commande de réglage TUNING. Sélectionnez ensuite "Dernières sélectionnées ou Présélectionnées (si les touches de présélections sont programmées). Appuyez ensuite sur la commande de réglage TUNING.

6. Réglage du volume de l'alarme:

- a. Tournez la commande de réglage TUNING pour mettre en surbrillance l'option "Volume", appuyez sur la commande de réglage TUNING.
 - b. Tournez la commande de réglage TUNING pour régler le volume de l'alarme. Appuyez ensuite sur la commande de réglage TUNING.
- ### 7. Sauvegarder l'alarme: les paramètres ne seront pas sauvegardés et activés tant que vous n'avez pas sélectionné l'option "Sauvegarder" du menu. Si vous ne sélectionnez pas "Sauvegarder", les réglages seront perdus. Tournez la commande de réglage TUNING pour mettre en surbrillance l'option "Sauvegarder", appuyez ensuite sur la commande de réglage TUNING. L'alarme est sauvegardée et activée.

Désactiver l'alarme

1. En tournant et en appuyant sur la commande de réglage TUNING pour accéder à Menu principal>Configuration système> Réglage de l'horloge>Alarmes
2. Tournez la commande de réglage TUNING pour sélectionner l'alarme que vous souhaitez désactiver. Appuyez ensuite sur la commande de réglage TUNING.
3. Tournez la commande de réglage TUNING pour mettre en surbrillance l'option ON, appuyez ensuite sur la commande de réglage TUNING.
4. « OFF » s'affiche alors.
5. Tournez la commande de réglage TUNING pour mettre en surbrillance l'option "Sauvegarder", appuyez ensuite sur la commande de réglage TUNING. L'alarme est désactivée.

Présélection de stations radio

Les modes de présélection suivants sont disponibles:

- Radio Internet
- DAB
- FM

Appuyez sur les touches numériques de la télécommande pour rappeler une station présélectionnée; appuyez longuement sur une touche de présélection pour mémoriser une station.

Ci-dessous, quelques exemples pour les stations radio DAB:



Lorsque l'emplacement de présélection n'est pas défini, un autre splash screen s'affiche avec "Emplacement libre" sur la ligne du bas:



Pour les stations radio DAB, FM et internet, permet de présélectionner un point pour un service défini. Cette opération n'est pas possible en mode Lecteur audio, qui ne possède pas de présélections.



Lecteur audio

(Lecture des musiques stockées sur l'ordinateur)

Le lecteur média vous permet de lire les fichiers audio stockés sur votre ordinateur ou un autre ordinateur du réseau.

Votre radio offre deux méthodes d'accès aux fichiers. Il est possible de se connecter aux Dossiers partagés sur le réseau. Il est également possible de se connecter avec l'application de gestion de fichiers en utilisant le protocole Universal Plug and Play (UpnP) connu sous le nom de Médias partagés.

Tous les types de fichiers supportés sont lisibles en mode Partages Windows.

Lorsque vous utilisez un serveur UpnP, les types de fichiers compatibles dépendent du logiciel serveur utilisé. Par exemple, le lecteur Windows média 11 de Microsoft prend en charge les fichiers MP3, WMA et WAV. Pour pouvoir lire les autres types de fichiers supportés via UpnP, vous devrez peut être installer d'autres logiciels tiers.

Lorsque vous utilisez Partages Windows, la sélection de musiques se fait par Artiste, par Album et optionnellement par piste dans un Album.

Lorsque vous utilisez un serveur de partage de médias UpnP, la recherche et les critères de sélection sont déterminés par le serveur, mais incluent en général des options supplémentaires comme la recherche par Genre. Plusieurs applications serveur vous permettent également d'accéder aux fichiers selon les répertoires dans lesquels ils sont stockés.

Configuration des dossiers partagés

Ordinateur:

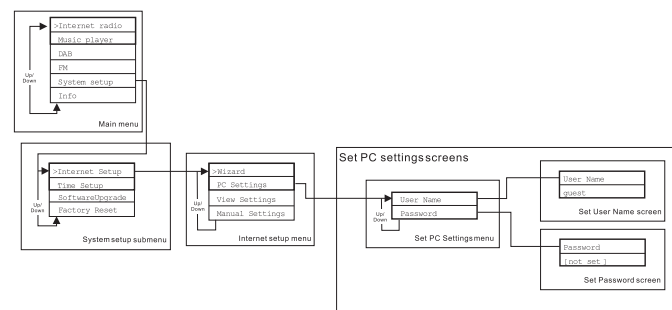
Configurer un lecteur partagé

Configurez votre ordinateur Windows afin d'autoriser la radio à accéder à vos fichiers audio par l'intermédiaire de Partages Windows

1. Vérifiez que votre ordinateur soit sur le même réseau que la radio internet. En utilisant l'Explorateur Windows, repérez le répertoire contenant vos fichiers audio.
2. Effectuez un clic droit sur le répertoire
3. Sélectionnez "Propriétés"
4. Cliquez sur "Partage"
5. Sélectionnez "Partager ce répertoire sur le réseau" et "Autoriser les utilisateurs du réseau à modifier mes fichiers."

Radio Wi-Fi

Le nom d'utilisateur et le mot de passe du PC si un mot de passe a été défini après que les Dossiers partagés aient été définis sur l'ordinateur, configurez la radio afin que celle-ci se connecte en utilisant le nom d'utilisateur mot de passe (si un mot de passe a été défini) pour le dossier partagé situé sur l'ordinateur. L'arborescence du menu est indiquée sur l'image ci-dessous:





Rechercher un fichier audio dans les Dossiers partagés en utilisant la radio

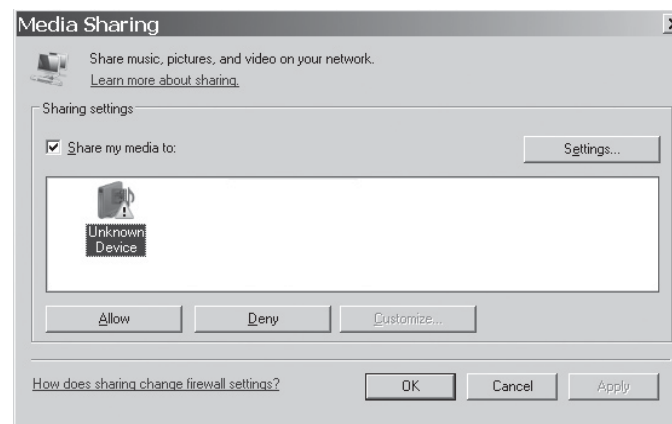
1. Mettez en marche la radio. Appuyez sur la touche BACK et utilisez la commande de réglage TUNING pour accéder au Menu principal, sous le menu principal, accédez au Répertoire partagé.
2. Les noms des ordinateurs du réseau s'affichent. Faites tourner et appuyez sur la commande de réglage TUNING pour sélectionner un ordinateur. Lorsqu'un ordinateur est protégé, la radio peut vous demander un nom d'utilisateur et un mot de passe.
3. La radio affiche tous les répertoires partagés. Faites tourner et appuyez sur la commande de réglage TUNING sélectionner le répertoire et les musiques que vous souhaitez écouter.
4. En cours de lecture d'une musique, utilisez la touche BACK et FORWARD pour sélectionner la piste suivante/précédente, appuyez sur la touche STOP pour arrêter la lecture.
5. Pour revenir au menu précédent, Tournez la commande de réglage commande de réglage TUNING et appuyez sur la touche BACK.

Configuration des Médias partagés (UpnP)

Les Médias partagés utilisent le lecteur Windows Média (WMP) 11 et supérieurs pour agir en tant que serveur média. Ce mode ne requiert aucun réglage sur la radio, mais l'ordinateur doit être configuré afin d'autoriser la radio à accéder aux médias. Il vous suffit de configurer l'ordinateur une fois, suivez les étapes suivantes.

1. Si vous êtes sous Microsoft Windows XP ou Windows Vista, vous pouvez alors utiliser le lecteur Windows média 11 de Microsoft (WMP11) pour agir en tant que serveur de médias UpnP (Universal plug and Play). S'il n'est pas déjà installé sur votre PC, le lecteur Windows média 11 peut être téléchargé et installé à partir du site Internet de Microsoft, ou en utilisant l'utilitaire Microsoft Windows Update.
2. Une fois installé, WMP11 crée une librairie de tous les fichiers média disponible sur votre PC. Pour ajouter de nouveaux fichiers média à la librairie, sélectionnez "Fichier>Ajouter à la librairie...> Options avancées", cliquez sur "Ajouter" et sélectionnez les fichiers que vous souhaitez ajouter, cliquez sur OK.

La radio Internet est représentée par un "Périphérique inconnu". Assurez-vous que l'appareil peut accéder aux médias partagés en sélectionnant et en cliquant sur <Autoriser>. Cliquez ensuite sur OK. L'ordinateur est désormais prêt à diffuser la musique sur la radio.



F

Chercher un fichier audio dans les Médias partagés(UpnP) en utilisant la radio

Une fois le serveur Médias partagés (UpnP) configuré pour partager les fichiers média avec votre radio internet, vous pouvez sélectionner les fichiers que vous souhaitez lire comme suit:

1. Mettez en marche la radio. Appuyez sur la touche BACK et utilisez la commande de réglage TUNING pour accéder au menu principal, et sous le menu principal, accédez aux Médias partagés
2. Les noms des ordinateurs du réseau s'affichent sur le réseau. Faites tourner et appuyez sur la commande de réglage TUNING sélectionner un ordinateur. Si le paramètre de sécurité de l'ordinateur est requis, la radio peut vous demander un nom d'utilisateur et un mot de passe.
3. La radio liste maintenant les catégories de média disponibles sur le serveur UpnP -par exemple, "Musique" et les Listes de lecture"
4. Faites tourner et appuyez sur la commande de réglage TUNING de manière répétée sélectionner les fichiers média que vous souhaitez lire.
5. En cours de lecture d'une musique, utilisez les touches BACK et FORWARD pour sélectionner la piste suivante/précédente, appuyez sur la touche STOP pour arrêter la lecture.
6. Pour revenir au menu précédent, tournez la commande de réglage TUNING et appuyez sur la touche BACK

Remarque:

En mode Médias partagés(UpnP), les critères de recherche offerts et les types de fichiers disponibles pour la radio sont fonction du logiciel du serveur UpnP installé sur votre PC.

Sélection de médias

Que vous accédez à vos fichiers en utilisant Partages Windows ou UPnP, les systèmes de sélection de fichiers sont les mêmes.

La seule différence existante entre ces deux méthodes est que la recherche UpnP offre plus de critères de recherche, déterminés par le logiciel du serveur UPnP de votre ordinateur. Certaines applications tierces de serveur permettent la personnalisation des critères de recherche et des méthodes d'indexation, qui se révèlent très utiles si vous possédez de nombreux fichiers musique.

Le système de sélection vous permet d'effectuer une recherche en renseignant un type d'information (Album, Artiste, etc.) puis affiner la recherche, même pour rechercher un album ou une piste d'un album. L'album/piste sélectionné est ensuite ajouté à la file d'attente de lecture. Vous pouvez ajouter davantage d'albums et de pistes à la file d'attente lorsqu'une musique est en cours de lecture, vous pouvez aussi basculer entre les pistes de la file d'attente. Vous pouvez également effacer les fichiers en file d'attente pour effectuer une nouvelle sélection. Les recherches décrites ici sont des exemples des possibilités offertes par la radio.

Mise à niveau logicielle depuis Internet

Il existe deux manières de mettre à niveau la radio.

Mise à niveau via Internet

L'option principale et la seule disponible via le menu Système est la mise à niveau via Internet. Pour accéder à cette fonctionnalité:

1. Faites tourner et appuyez sur la commande de réglage TUNING pour naviguer parmi l'option de mise à niveau du menu. Le chemin d'accès est:

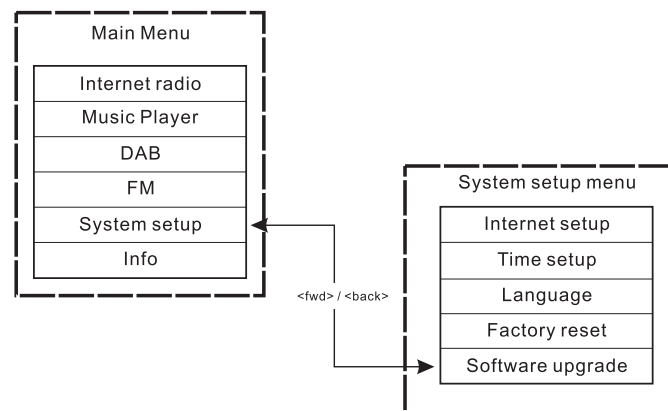
Main Menu → Configuration système → Mise à niveau logicielle

Lorsqu'une nouvelle version logicielle est disponible, il est demandé à l'utilisateur de confirmer la mise à niveau. Une fois le processus lancé, une barre de progression s'affiche et un splash screen s'affiche périodiquement pour rappeler à l'utilisateur de ne pas débrancher le cordon. Ceci est très important et permet de maintenir la radio opérationnelle. Si vous déconnectez la radio durant le processus de mise à niveau, la mise à niveau pourrait redémarrer en mode de mise à niveau via USB.

Une fois la mise à niveau terminée, le résultat de la mise à niveau s'affiche (que celle-ci ait réussi ou échoué). Si réussie, appuyez sur la touche<SELECT> pour redémarrer la radio avec la nouvelle version logicielle.

Remarque:

Le processus de mise à niveau n'affecte pas vos données et paramètres.



F

Mise à niveau via USB

L'utilisateur peut choisir entre cette méthode et la mise à niveau via internet lorsqu'une connexion internet n'est pas disponible ou si le cordon d'alimentation a été déconnecté lors de la mise à niveau via internet, vous devez copier un fichier binaire de mise à niveau dans la mémoire Flash de la radio ainsi qu'un fichier upgrade.exe s'accrochant au fichier binaire.

Il est également nécessaire de raccorder la radio à un ordinateur. Certains sorties ne sont pas livrées avec les fichiers suitable.exe correspondants.

Il est important de seulement connecter le cordon USB lors de la mise à niveau, celui-ci doit être déconnecté une fois la mise à niveau terminée.

1. Lancez l'utilitaire upgrade.exe sur votre ordinateur
2. L'utilitaire vous demande de lancer l'assistant de mise à niveau sur la radio Wi-Fi.
3. Si vous n'avez pas encore accédé au mode de mise à niveau (le texte "Attente de l'assistant d'ordinateur..." s'affiche, accédez au mode de mise à niveau logicielle en déconnectant le cordon d'alimentation, maintenez ensuite les touches <skip backwd> et <skip fwd> enfoncée tout en redémarrant la radio.
4. La mise à niveau démarre automatiquement et dure environ 2 minutes. A la fin de la mise à niveau, la radio redémarrera automatiquement et chargera le nouveau logiciel.

Configuration d'usine

(Le chemin d'accès au Configuration d'usine est Menu principal> Configuration système> Configuration d'usine)

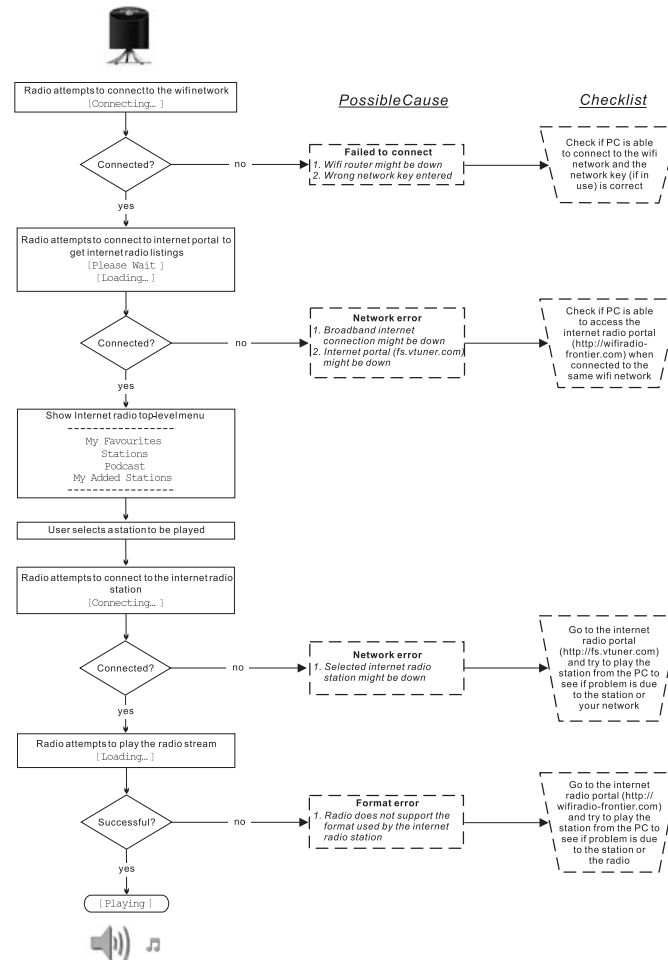
Lorsque vous souhaitez rétablir la configuration d'origine de la radio, suivez les instructions suivantes.

1. Mettez en marche la radio en appuyant sur la touche POWER.
2. Faites tourner et appuyez sur la commande de réglage TUNING pour accéder au sous-menu Configuration d'usine. Le chemin d'accès est Menu principal> Configuration système> Configuration d'usine.
3. Une fois dans l'option Configuration d'usine, appuyez sur la touche SELECT pour confirmer. Appuyez ensuite sur la commande de réglage TUNING. L'écran affiche "Redémarrage" pendant quelques secondes.
4. Lorsque l'écran affiche "Bienvenue sur la radio Internet" la restauration de la configuration d'usine est terminée.

Informations sur la radio

Dans le sous-menu "info", vous pouvez vérifier la version logicielle et le numéro d'identification de la radio. Faites tourner et appuyez sur la commande de réglage TUNING pour naviguer à travers Menu principal> Info> "Version logicielle", et "Radio ID" s'affichent. Accédez à l'un de ceux-ci pour accéder aux informations.

Dépannage-Connexion à une station radio internet



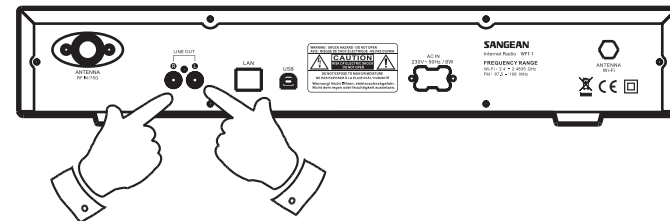
Prise pour écouteurs

Une prise jack de 3.5mm située à l'arrière de votre radio est conçue pour l'utilisation des écouteurs. Lorsque vous insérez la prise jack, les haut-parleurs internes seront désactivés automatiquement.



Sortie Ligne (jack 3.5mm)

Une sortie ligne de 3.5mm est située à l'arrière de l'appareil, celle-ci est prévue pour connecter la radio à un amplificateur externe. Brancher le câble audio dans la prise ne désactivera pas les hauts parleurs internes. Réglez simplement le volume au minimum si vous le souhaitez.



Spécifications techniques

Alimentation: CA 230volts, 50Hz, ou CA110volts, 60Hz. 8Watts.

Connectivité Connecteur Ethernet Wi-Fi 10/100M bits/sec via RJ-45 Normes 802.11b et 802.11g, cryptage par clé WEP et WPA pris en charge. 2.4-2.4835GHz



Si à l'avenir vous devez vous débarrasser de ce produit merci de noter ceci: Vous ne devez pas vous débarrasser des déchets d'équipements électriques et électroniques par les ordures ménagères ou autres déchets municipaux non triés. Le consommateur devra apporter ses équipements usagés, soit en déchetterie, soit chez un distributeur lors de l'achat d'un produit neuf, soit le donner à une association d'économie solidaire.


F

Contenidos

IMPORTANTES INSTRUCCIONES

<i>DE SEGURIDAD</i>	58-59
<i>Controles</i>	60-61
<i>Mando a distancia</i>	62
<i>Antes de poder usar este producto</i>	63
<i>Configuración de idioma</i>	63
<i>Conexión a la red por cable</i>	63
<i>Conexión a la red inalámbrica</i>	64
<i>Después de conectarse a su red</i>	64
<i>Para escuchar la radio internet</i>	64-66
<i>Mi emisora favorita y agregada</i>	67-69
<i>Funcionamiento del reloj</i>	70-73
<i>Presintonización de emisoras de radio</i>	74
<i>Reproductor de música</i>	75-79
<i>Actualización del software de internet</i>	80-81
<i>Valores predeterminados</i>	81
<i>Información sobre la radio</i>	81
<i>Localización y resolución de problemas-conexión a una emisora de internet</i>	82
<i>Toma para auriculares</i>	83
<i>Toma Line out (3,5mm)</i>	83
<i>Especificaciones</i>	84

Importantes instrucciones de seguridad

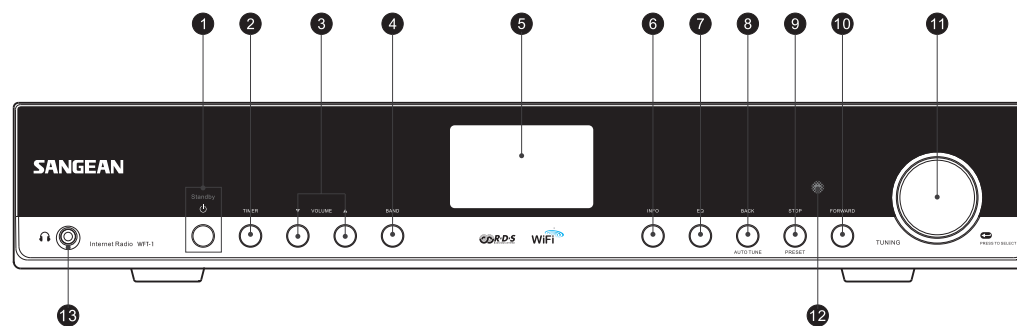
1. Lea y entienda todas las instrucciones de seguridad y funcionamiento antes de empezar con el manejo de la radio.
2. Conserve estas instrucciones: Conviene conservar las instrucciones de seguridad y funcionamiento para futuras referencias.
3. No omita las advertencias. Es preciso seguir todas las advertencias del aparato y de las instrucciones de funcionamiento.
4. Siga todas las instrucciones de funcionamiento y uso.
5. Agua y humedad: No use el aparato cerca del agua. No haga uso de él cerca de bañeras, palanganas, barreños, fregaderos, sótanos húmedos, piscinas, etc.
6. Desenchufe la radio de la toma de salida AC antes de proceder a limpiarla. Use únicamente un trapo humedecido para limpiar su exterior.
7. No coloque la radio en carritos, soportes, stands, repisas o mesas inestables. Esta podría caer, causando serias lesiones personales y daños a la radio.
8. Ventilación: Esta radio debería colocarse  de modo que su ubicación o posición no interfiera en una adecuada ventilación. Por ejemplo, no conviene usar la radio sobre una cama, un sofá, alfombras u otras superficies blandas que podría bloquear los orificios de ventilación. Tampoco debe colocarse de modo que quede empotrada, como en un armario, ya que el paso del aire por las aberturas de ventilación se vería considerablemente reducido.
9. No instale la radio cerca de fuentes de calor como radiadores, registradores de calor, hornos o fuegos de cocina o cualquier otro aparato (incluyendo amplificadores) que pueda producir calor.
10. No eluda el propósito de seguridad del enchufe de toma de tierra polarizado. Un enchufe polarizado presenta dos hojas, una de las cuales es más ancha que la otra. Un enchufe de toma de tierra tiene dos hojas y una tercera clavija de toma de tierra. La hoja ancha o la tercera clavija tienen una función de seguridad. Si no pudiera insertar el enchufe en la toma por completo, consulte con un electricista para que sustituya la toma inservible.
11. Fuentes de alimentación: Debe usar la radio sólo con el tipo de fuente de alimentación mencionada en la etiqueta de indicación. Si no está seguro del tipo de suministro eléctrico de su hogar, consulte a su distribuidor o compañía eléctrica.
12. Cables de alimentación: El cable de alimentación debería estar colocado de forma que no sea posible pisarlo, pellizcarlo ni colocar ningún elemento sobre él. Preste especial atención a la parte del enchufe de los cables, distribuidores y a los lugares en que el cable sale de la unidad. Desenchufe el cable de alimentación asiéndolo por la parte del enchufe, no por el cable. Maneje la radio usando solamente el tipo de fuente de alimentación que se indica. Si no está seguro del tipo de suministro eléctrico de su hogar, consulte a su distribuidor o compañía eléctrica.

13. No sobrecargue tomas de pared o cables extensores, ya que podría constituir un riesgo de incendio o descarga eléctrica. No introduzca nunca objetos de ningún tipo en la radio a través de sus aberturas. Dichos objetos podrían entrar en contacto con puntos de alto voltaje o susceptibles de un cortocircuito. Si esto ocurriera, se podría producir un incendio o una descarga eléctrica.
14. Use únicamente acoples/accesorios especificados por el fabricante.
15. Si deja la radio desatendida y falta de uso por periodos prolongados, desenchúfela de la toma de pared. Esto prevendrá posibles averías o daños causados por rayos o subidas de tensión.
16. Si deja la radio desatendida y falta de uso por periodos prolongados, quite las pilas. Las pilas podrían tener pérdidas y estropear la carcasa de su radio.
17. No intente revisar o reparar el aparato por su cuenta. Si quitara la tapa podría quedar expuesto a voltaje peligroso, y la garantía quedaría anulada. Para cualquier tipo de revisión, diríjase sólo a personal de servicio autorizado.
18. Objetos y entrada de líquidos-No meta nunca objetos de ningún tipo en esta radio a través de las aberturas, puesto que estos podrían llegar a tocar puntos en los que hay presencia de voltaje peligroso o partes cortocircuitables. Si esto ocurriera, se podría producir un incendio o una descarga eléctrica. No derrame líquidos de ningún tipo sobre el producto.

19. El aparato precisará de una revisión por parte de personal de servicio autorizado cuando:
- A. El cable de alimentación o el enchufe han sido dañados.
 - B. Han caído objetos o ha sido derramado algún líquido sobre la radio.
 - C. La radio ha sido expuesta a la lluvia o al agua.
 - D. La radio no parece que funcione con normalidad o muestra un cambio en su funcionamiento evidente.
 - E. La radio ha caído o su exterior ha resultado dañado.

Controles

(Vista frontal)

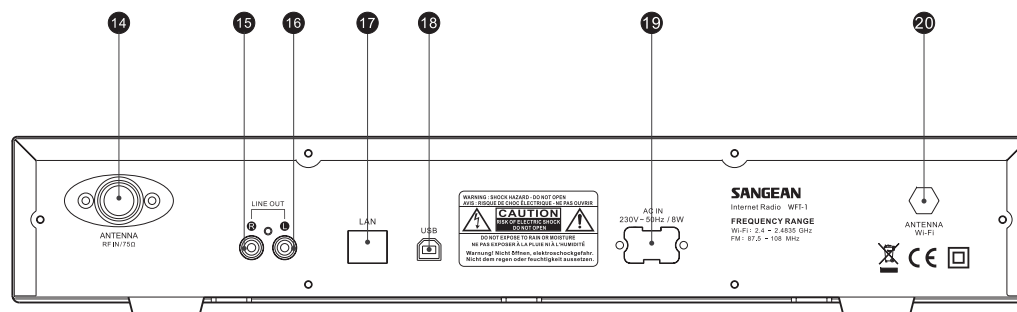


1. Botón POWER
2. Botón TIMER
3. Botón VOLUME
4. Botón BAND
5. Pantalla LCD
6. Botón INFO
7. Botón EQ

8. Botón BACK
9. Botón STOP
10. Botón FORWARD
11. Dial TUNING
12. Sensor de infrarrojos
13. Toma para auriculares

Controles

(Vista posterior)



14. Antena FM

15. Toma LINE OUT (derecha)

16. Toma LINE OUT (izquierda)

17. Toma LAN (Ethernet)

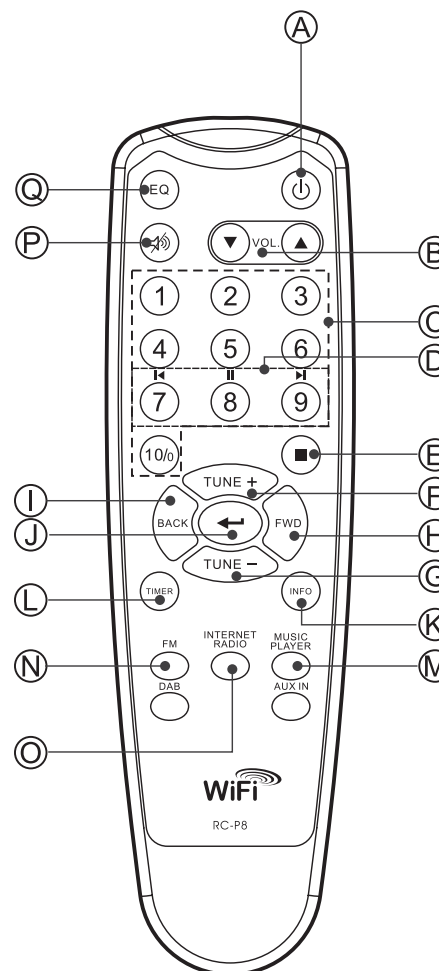
18. Toma USB

19. Toma del cable de alimentación

20. Antena Wi-Fi

Mando a distancia

- A. Botón de encendido
- B. Botones del volumen
- C. Botones de presintonías de radio 1-6 y 10
- D. Botones de presintonías de radio 7-9 y para las funciones de retroceso, pausa y avance
- E. Botón STOP
- F. Botón de sintonización + (TUNE +)
- G. Botón de sintonización - (TUNE -)
- H. Botón de Avance (FWD)
- I. Botón Atrás (BACK)
- J. Botón de confirmación
- K. Botón INFO
- L. Botón de temporizador (TIMER)
- M. Botón del reproductor de música (MUSIC PLAYER)
- N. Botón FM
- O. Botón iRadio
- P. Botón de silenciado (MUTE)
- Q. Botón del ecualizador (EQ)



Antes de poder usar este producto

Antes de poder hacer uso de su radio internet, necesitará lo siguiente:

- Una conexión a internet de banda ancha.
- Un punto de acceso inalámbrico (Wi-Fi) o una conexión por cable Ethernet (10 o 100 Mbits/seg con conexión RJ45) conectada a su internet de banda ancha, preferiblemente mediante un enrutador. En muchos casos, el módem de banda ancha, enrutador y punto de acceso inalámbrico formarán parte de una sola unidad combinada provista por su Servicio de Suministro de Internet o comprada en un establecimiento de venta de artículos informáticos.
- Si su red inalámbrica está configurada para usar la codificación de datos Wired Equivalent Privacy (WEP) o Wi-Fi Protected Access (WPA), entonces necesitará saber la clave del WEP o WPA para poder conseguir que la radio internet se comunique con la red.

IMPORTANTE:

Antes de proseguir, asegúrese de que su punto de acceso inalámbrico o su enrutador están activados y funcionando con su servicio de internet de banda ancha (utilice su ordenador para verificarlo). Para hacer que esta parte del sistema funcione, deberá leer las instrucciones suministradas junto con el punto de acceso inalámbrico o el enrutador.

Configuración de idioma

(El orden que se sigue al seleccionar la configuración de idioma es Main Menu>System Setup>Language)

1. La configuración de idioma permite al usuario seleccionar el idioma de la interfaz.
2. Pulse el botón Back (Atrás) cuando lo necesite hasta que se muestre "Main menu" (Menú principal).
3. Gire y pulse el dial TUNING para entrar en el menú principal, después entre en "System setup" (Configuración del sistema), y después en "Language" (Idioma)
4. Gire y pulse el dial TUNING para seleccionar el idioma de la interfaz del usuario.

Conexión a la red por cable

(El orden que se sigue al seleccionar la conexión por cable es System setup>Internet setup>Wizard>Wired)

1. Si piensa utilizar la red por cable, conecte el cable Ethernet a la toma LAN(RJ-45) de la parte posterior de la radio.
2. Encienda la radio pulsando el botón POWER.
3. Gire el dial TUNING hasta que se muestre "System setup", después pulse el dial TUNING.
4. Pulse de nuevo el dial TUNING para entrar en la configuración de internet.
5. Pulse el dial TUNING una vez más para entrar en el Wizard (Asistente), y la pantalla mostrará "Network wizard scanning" (Buscando el asistente de red), después mostrará todas las conexiones de internet.
6. Gire el dial TUNING hasta que "Wired" (Por cable) quede indicado. Después pulse el dial TUNING., entonces, la pantalla mostrará "Please wait connecting" (Por favor, espere la conexión) y después se mostrará "connected" (conectado). Después pulse el botón BACK dos veces para volver al menú principal.

Si tuviera problemas con su conexión por cable, las luces del conector LAN (RJ-45) le ayudarán a identificar la posible causa del problema:

Encendida en verde=Enlace establecido,

parpadeando=Transferencia de datos.

Encendida en amarillo=Enlace a 100M bps,

luz apagada= Enlace a 10M bps.

Conexión a una red inalámbrica

(El orden que se sigue al seleccionar la conexión por cable es **System setup>Internet setup>Wizard**)

1. En un entorno con punto de acceso (AP) WiFi, encienda la radio pulsando el botón POWER
2. Gire el dial TUNING hasta que se muestre "System setup", después pulse el dial TUNING.
3. Pulse de nuevo el dial TUNING para entrar en la configuración de internet.
4. Pulse el dial TUNING una vez más para entrar en el Wizard (Asistente), entonces la pantalla mostrará todas las conexiones a internet.
5. Gire el dial TUNING hasta que quede señalada la conexión inalámbrica de internet a la que desee conectarse. Pulse el dial TUNING.
6. Si se requiriera una contraseña, esta deberá introducirse, la pantalla mostrará "key" (clave). Gire y pulse el dial TUNING para introducir la contraseña.
El símbolo < =Corregir
El símbolo ← =Aceptar
El símbolo C =Cancelar
7. Cuando se haya realizado la conexión inalámbrica, pulse el botón BACK dos veces para volver al menú principal.

Una vez usted se haya conectado a la red

Selección de banda (en el menú principal)

Hay 3 bandas disponibles en este dispositivo, que son:

1. Radio internet
2. Reproductor de música
3. FM

Hay 3 modos de cambiar de una de estas 3 bandas a otra:

- a. Pulse el botón Band de la unidad o
- b. Use el dial TUNING dentro del menú principal o
- c. Pulse los botones iRadio (Radio internet), FM, Mplayer o DAB en el mando a distancia.

Para escuchar la radio internet

(El orden seguido es **Main Menu>Internet Radio..**)

1. Pulse el botón POWER para encender la radio
2. Cuando quede indicado el primer elemento "Internet radio", pulse el dial TUNING, y la radio reproducirá la última emisora de radio escuchada.
Si desea seleccionar la emisora de la radio internet, siga las instrucciones de debajo. Si no se encuentra en el menú principal, pulse el botón BACK hasta que llegue a "Main menu", después pulse el dial TUNING.
3. Gire el dial TUNING hasta que quede señalado "Station" (emisora) y después pulse el dial TUNING.
4. Entonces, la pantalla mostrará los 5 modos de búsqueda de emisoras de radio de la radio internet:
* Para volver al menú previo, pulse el botón BACK.

Por ubicación -

Le permite elegir una emisora de radio de la lista primero por región y después por país.

- a. Cuando se indique "Location" (Ubicación), pulse el dial TUNING, la pantalla mostrará entonces los continentes.
- b. Gire el dial TUNING hasta que el continente que le interese quede destacado, después pulse el dial para seleccionarlo. Emplee el mismo modo para seleccionar el país (y el estado)
- c. Emplee el mismo modo para seleccionar el tipo de música.
- d. Pulse el dial TUNING para seleccionar la emisora de radio y escucharla.

Por género -

Le permite elegir emisoras de radio según su contenido, por ejemplo Clásica, Rock, Deportes, Noticias, etc.

- a. Gire el dial TUNING hasta que se señale el "Género". Después pulse el dial TUNING.
- b. Gire el dial TUNING para desplazarse por la lista de géneros (tipos de música), y púselo para seleccionar el tipo de música.
- c. Utilice el mismo procedimiento para seleccionar el país.
- d. Utilice el mismo procedimiento para seleccionar la estación de radio y escucharla.

Por búsqueda de emisora

- a. Gire el dial TUNING hasta que "Search station" (Buscar emisora) quede indicado. Después pulse el dial TUNING.
- b. Gire TUNING, y la pantalla mostrará los números y letras.
- c. Introduzca la palabra clave de la emisora de radio que quiera buscar, girando el dial TUNING, pulse BACK, FORWARD para seleccionar la letra o el número, y pulse TUNING para seleccionar la letra o el número. Cuando introduzca la clave,
<=Corregir
← =Aceptar
C=Cancelar
- d. Cuando se haya digitado la palabra clave, ← quedará parpadeando, después pulse el dial TUNING. Se mostrarán los resultados de las emisoras de radio.
- e. Gire el dial TUNING para seleccionar la emisora de radio, después pulse el dial TUNING para entrar en la emisora de radio.

Por la popularidad de la emisora

- a. Gire el dial TUNING hasta que "Popular station" (Emisora popular) quede indicado. Después pulse TUNING.
- b. La pantalla mostrará entonces las emisoras de radio más populares. Gire el dial TUNING para seleccionar la emisora, después púselo para sintonizar con la emisora.

Por emisora nueva

- a. Gire TUNING hasta que "New station" (Emisora nueva) quede indicado. Después pulse TUNING
- b. La pantalla mostrará la lista de emisoras de radio de la red. Gire el dial TUNING para seleccionar la emisora, después púselo para sintonizar con dicha emisora.

Podcast

(El orden seguido para seleccionar Podcast es Main menu> Internet radio>Podcast

Permite al usuario navegar por el Podcast y escuchar diversas veces servicios según su ubicación, género o mediante una búsqueda alfabética.

1. Gire y pulse el dial TUNING para navegar en la dirección Main menu>Internet radio> Podcast
2. Una vez haya entrado en el submenú Podcast, se mostrarán 3 modos de búsqueda de emisoras Podcast, que son Location (Ubicación), Genre (Género) y Alphabets (Búsqueda por orden alfabético).
3. para realizar una búsqueda alfabética, introduzca la palabra clave y después seleccione aceptar "←" girando y pulsando el dial TUNING. O bien seleccione la opción de cancelación "C" para dar por finalizada la búsqueda alfabética.

Mi emisora favorita y agregada

Esta función le permitirá añadir emisoras de radio internet en la página web de Frontier y escucharlas en su radio.

Antes de hacer uso de estas dos funciones por primera vez, por favor, siga las instrucciones para registrarse en la página web:

1. Gire el dial TUNING para seguir la dirección Main menu>> internet radio>>help>>get access code. La pantalla mostrará el código de acceso (Access code).
2. Visite la página web con su ordenador <http://wifiradio-frontier.com/> then, haga clic sobre "register here" y rellene el formulario con el código de acceso mostrado en la pantalla. Puede dejar en blanco el espacio "WiFi radio mode" (Modo de radio WiFi).

3. Después de registrarse, la página web mostrará "My favorite" (Mi favorita) y "My registration" (Mi registro), cada vez que desee utilizar estas funciones, no tiene más que ir a la página web e introducir la dirección de email y la contraseña.



A. My favorite (Mi favorita)

1. Después de registrarse en la página web, en el ordenador, utilice los elementos de búsqueda de emisoras para encontrar una emisora, y después haga clic sobre el icono "Add", la emisora habrá quedado así agregada a la carpeta "My favorite".
2. Gire y pulse el dial TUNING para seguir la dirección Main menu> Internet Radio> My favorites, y la pantalla de visualización de la radio mostrará las emisoras que ha añadido a My favorite desde su ordenador.
3. Gire y pulse el dial TUNING para entrar en la emisora que desee escuchar.

B. Mis emisoras agregadas

Le permite agregar las emisoras de radio internet siempre que conozca las direcciones de las página web de las radio internet.

1. Después de registrarse en la página web, en el ordenador, haga clic sobre la flecha bajo My added stations (Mis emisoras agregadas) y se mostrará como puede ver a continuación:
2. Rellene el formulario, por favor, fíjese en que la URL de la emisora de radio debe seguir la forma descrita en la página web.
3. Gire y pulse el dial TUNING de la radio en la dirección Main menu>> internet radio>>My added stations. Entonces podrá ver en la pantalla de su radio las emisoras que haya agregado.
4. Gire y pulse el dial TUNING para entrar en la emisora que desee escuchar.



Para escuchar la radio FM
(La dirección es Main menu>FM)

1. Pulse el botón POWER para encender la radio.
2. Pulse FM en el mando a distancia, después vaya directamente al paso 5, o al menú principal (si no se encuentra en el menú principal, pulse BACK hasta que pueda ver "Main menu", después pulse el dial TUNING).
3. Vaya al menú principal (si no se encuentra en el menú principal, pulse BACK hasta que pueda ver "Main menu", después pulse el dial TUNING).
4. Gire el dial TUNING hasta dejar destacado FM, después pulse el dial TUNING.
5. Gire el dial TUNING para seleccionar la frecuencia de la emisora de radio FM, después, ya podrá dedicarse a escucharla.

Funcionamiento del reloj

Ajuste de la hora

(La dirección que debe seguir es Main menu>System setup>Set clock)

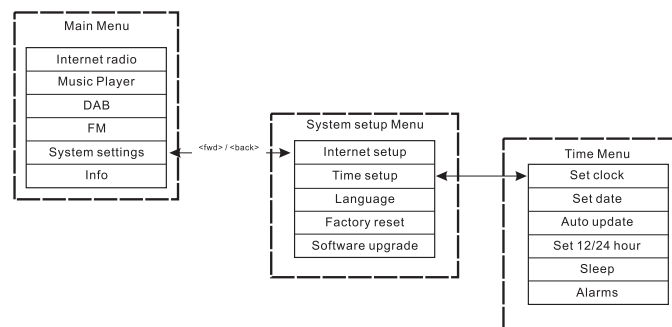
1. Vaya al menú principal (pulse el botón BACK para ir al menú superior, en caso de no encontrarse ya en él). Gire el dial TUNING hasta que quede indicado "Main menu". Después pulse el dial TUNING.
2. Emplee el mismo modo para entrar en la configuración del sistema (System Setup)
3. Emplee el mismo modo para entrar en el modo de configuración de fecha y hora y programaciones temporales varias (Time Setup)
4. Emplee el mismo modo para entrar en el modo de ajuste de la hora (Set Clock)
5. Gire el dial TUNING para seleccionar los dígitos de las horas.
6. Pulse el dial TUNING y gírelo para seleccionar los dígitos de los minutos.
7. Pulse el dial TUNING para finalizar el ajuste de la hora.

Ajuste de la fecha

(La dirección que debe seguir es Main menu>System setup>Time setup>Set date)

8. Gire el dial TUNING hasta que quede destacado "Set date" (Ajuste de la fecha)
9. Gire el dial TUNING para seleccionar el mes, después pulse el dial TUNING.
10. Gire el dial TUNING para seleccionar el día, después pulse el dial TUNING.
11. Gire el dial TUNING para seleccionar el año, después pulse el dial TUNING. Entonces, la fecha habrá quedado fijada.

* Siempre tendrá la posibilidad de volver al menú de nivel superior pulsando el botón BACK.



Actualización automática (para la versión DAB)

El menú de actualización automática permitirá al usuario seleccionar si quiere sincronizar o no la hora con la de la estación transmisora DAB. Si se selecciona "No update" (Sin actualización), la hora quedará en el modo de ajuste manual.

Selección de 12/24 horas

(La dirección que hay que seguir para la selección del modo 12/24 horas es Main menu>System setup>Time setup>Set 12/24 hour)

El menú de selección del modo 12/24 horas permite elegir el formato de visualización de la hora como 12 o 24 horas.

1. Siga el mismo procedimiento que el utilizado para fijar la fecha y hora: gire y pulse el dial TUNING para entrar en Set 12/24 hour, a través de Main menu → System settings → Time setup → Set 12/24hour.
2. Gire el dial TUNING y púlselo para seleccionar "Select Set 12hour" o "Select Set 24 hour."

Temporizador de apagado automático (Sleep Timer)

(La dirección que debe seguir para entrar en el menú del temporizador de apagado automático es Main menu>System setup>Time setup-Sleep)

Con esta función podrá programar la radio para que se apague de forma automática una vez transcurrido el tiempo que usted haya programado. Los ajustes podrá realizarlos a 15, 30, 45 o 60 minutos.

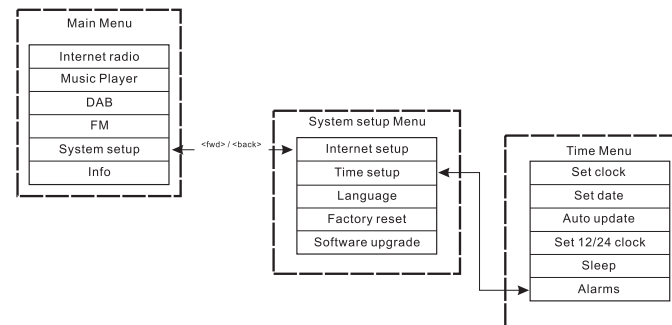
1. Pulse el botón TIMER del panel frontal y vaya al paso 4, o bien vaya al menú principal (pulse BACK para ir al menú superior en caso de no encontrarse ya en él). Gire el dial TUNING hasta que quede destacado "Main menu". Después pulse el dial TUNING.
 2. Gire el dial TUNING to let the "System setup" is pointed, then press the TUNING knob.
 3. Gire el dial TUNING para destacar "Time Setup", después pulse el dial TUNING.
 4. Gire el dial TUNING para destacar "Sleep", después pulse el dial TUNING.
 5. Gire el dial TUNING para seleccionar el tiempo de apagado automático como 15, 30, 45 o 60 minutos, o bien desactivado (off). Después pulse el dial TUNING para aceptar su selección.
- * Para desactivar el temporizador de apagado automático, sólo tiene que seleccionar la opción OFF dentro del mismo menú.


Programación de las alarmas

(La dirección que debe seguir para entrar en el menú de la alarma es Main menu>System setup>Time setup>Alarms)

Antes de poder hacer uso de la alarma, deberá haberse ajustado la fecha y la hora de la radio.

1. Se puede acceder al menú de las alarmas de dos modos:
 - I. Pulse el botón TIMER en la unidad o en el mando a distancia.
Después gire el dial TUNING hasta que pueda ver Alarm 1 y Alarm 2.
 - II. Como submenú del menú Time menu (Main menu>System setup>Time setup>Alarms)
 - a. Pulse BACK hasta que visualice Main Menu, después pulse el dial TUNING.
 - b. Gire el dial TUNING hasta que se destaque System setup, después pulse el dial TUNING.
 - c. Gire el dial TUNING hasta que se destaque "Time setup", después pulse el dial TUNING.
 - d. Gire el dial TUNING hasta que se destaque "Alarm", después pulse el dial TUNING.
2. Cuando llegue al menú Alarm, la pantalla mostrará Alarm1 y Alarm2.
Son 2 las alarmas que pueden programarse. Gire el dial TUNING para seleccionar Alarm 1 o Alarm 2, después pulse el dial TUNING.
3. Seleccione la hora de programación de la alarma
 - a. Cuando "TIME" quede indicado, pulse el dial TUNING, después gírelo TUNING para seleccionar los dígitos de las horas.
 - b. Pulse el dial TUNING y gírelo para seleccionar los minutos, después pulse el dial TUNING.
4. Active la alarma
 - a. Gire el dial TUNING para dejar indicado OFF.
 - b. Pulse el dial TUNING para hacer que muestre ON.



- 
5. Seleccione el modo de la alarma(Buzzer –zumbador-, radio internet, FM, last listed –última selección-, o Preset –presintonía-)
 - a. Gire el dial TUNING hasta destacar “Mode”. Después pulse el dial TUNING. A continuación, gire el dial TUNING para seleccionar de entre las opciones “Buzzer”, “Internet Radio” o “FM”. Después pulse TUNING. También podrá:
 - b. Girar el dial TUNING hasta destacar “Last listed”, pulsando después el dial TUNING. Después seleccione “Last Listed o “Preset”(si hubiera alguna presintonía programada). Después pulse el dial TUNING.
 6. Regulación del volumen de la alarma:
 - a. Gire el dial TUNING dejando destacado “Volume” después pulse el dial TUNING.
 - b. Gire el dial TUNING para ajustar el volumen de la alarma. Después pulse el dial TUNING.
 7. Para guardar la programación de la alarma: Los ajustes no quedarán guardados ni activados hasta que se haya seleccionado el elemento del menú “Save”. Si no operara así, los valores seleccionados se perderán. Gire el dial TUNING hasta dejar indicado “Save”, después pulse el dial TUNING. De este modo, la alarma habrá quedado guardada y activada.

Desactivación de la alarma

1. Gire y pulse el dial TUNING en la dirección Main menu> System setup>Time setup>Alarms
2. Gire el dial TUNING para seleccionar la alarma que desee desactivar, después pulse el dial TUNING.
3. Gire el dial TUNING hasta que ON quede destacado, después pulse el dial TUNING.
4. A continuación se mostrará OFF.
5. Gire el dial TUNING para destacar “Save”, después pulse el dial TUNING. La alarma habrá quedado desactivada.

Presintonización de emisoras de radio

Se dispone de los siguientes modos de presintonización:

- Radio internet
- DAB
- FM

En el mando a distancia, pulse los botones numéricos para recuperar una presintonía; con una pulsación larga podrá guardar una presintonía en la memoria.

El ejemplo mostrado a continuación es válido para DAB:



Si la presintonía todavía no se ha seleccionado, entonces se mostrará otra pantalla de presentación con la inscripción "Preset empty" (Presintonía vacía) en la parte inferior:



En el caso de que se trate de DAB, FM y radio internet, las presintonías indicarán un servicio determinado. Esto no será posible en el modo de Reproductor de música que, en consecuencia, no dispone de presintonías.



Reproductor de música

(Reproducción de música almacenada en el ordenador)

El reproductor le permitirá reproducir archivos de audio almacenados en un ordenador o en un ordenador de su red.

Su radio acepta dos métodos de acceso a archivos. Podrá conectarse a las carpetas compartidas (shared folders) de la red. También podrá conectar con aplicaciones de servicio de archivos mediante el protocolo Universal Plug and Play (UpnP) conocido como Shared Media.

Todos los tipos de archivo aceptados son reproducibles en el modo Windows Shares.

Cuando utilice un servidor UpnP, los tipos de archivo reproducidos dependerán del software del servidor usado. Por ejemplo, el Microsoft Windows Media Player 11 puede servir para los archivos del tipo MP3, WMA y WAV. Para poder reproducir los otros tipos de archivo aceptados mediante el UpnP, es posible que necesite instalar softwares adicionales de terceras partes.

Cuando utilice Windows Shares, la selección de música se hará por artista, álbum y, opcionalmente, por la pista contenida en un álbum.

Cuando utilice un servidor UpnP Shared Media, los criterios de búsqueda y selección vendrán determinados por el servidor, pero normalmente incluyen opciones adicionales como el Género.

Muchas de las aplicaciones del servidor también le permitirán acceder a archivos, según las carpetas en las que se hayan guardado.

Configuración de las carpetas compartidas

Ordenador:

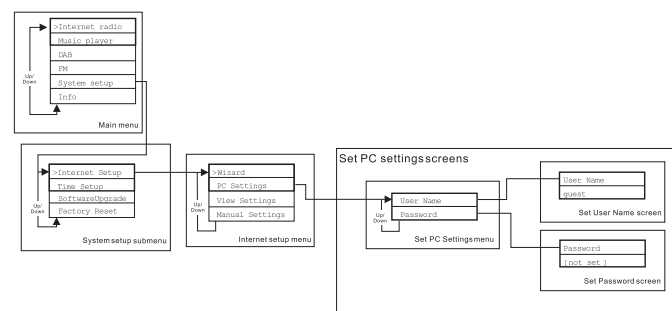
Configuración de un drive compartido



Configuración de su Windows PC para permitir a la radio acceder a sus archivos de audio por medio de Windows Shares:

1. Compruebe que su PC está disponible en la misma red que su radio internet. Con el Windows Explorer, ubique la carpeta en la que están guardados sus archivos de audio.
2. Haga clic derecho sobre la carpeta
3. Seleccione "Properties" (Propiedades)
4. Haga clic en "Sharing" (Compartir)
5. Seleccione "Share this folder on the network" (Compartir esta carpeta en la red) "Allow network users to change my files" (Permitir a los usuarios de la red modificar mis archivos)

Radio Wi-Fi:

Nombre de usuario y contraseña para el PC, si alguno de ellos se hubiera seleccionado, después de que las carpetas compartidas se hayan preparado en el PC, configure la radio de modo que reconozca el nombre de usuario y la contraseña (si se hubieran seleccionado) para la carpeta compartida del PC. La dirección se muestra en la figura de debajo:





Ubicación del archivo de audio de las carpetas compartidas mediante el uso de la radio

1. Encienda la radio. Pulse el botón BACK y use el dial TUNING para acceder al menú principal y, dentro del menú principal, acceder a la carpeta compartida (Shared folder).
2. Se mostrarán todos los nombres de los ordenadores de la red. Gire y pulse el dial TUNING para seleccionar el ordenador. Si fuera requerida la comprobación de seguridad del ordenador, la radio podría pedir un nombre de usuario y contraseña.
3. La radio mostrará todas las carpetas compartidas. Gire y pulse el dial TUNING para seleccionar la carpeta y música que le gustaría escuchar.
4. Cuando la música se encuentre en reproducción, use los botones BACK y FORWARD para seleccionar la pista anterior/siguiente, pulse el botón STOP para detener la reproducción.
5. Para volver al menú anterior, gire el dial TUNING y pulse el botón BACK.

Configuración de la reproducción compartida (UpnP)

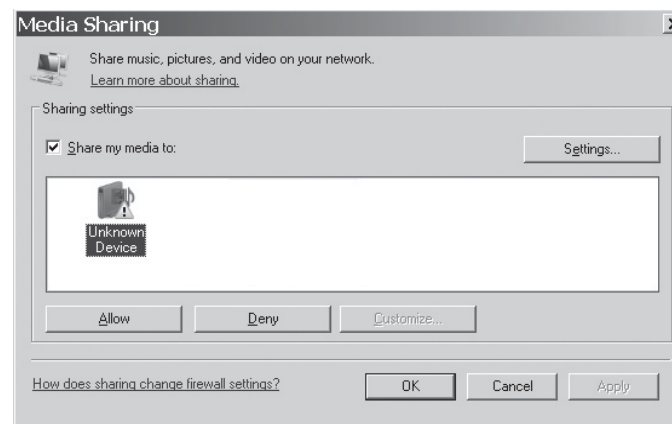
La reproducción compartida utiliza el Windows Media Player (WMP) 11 y versiones superiores como servidores de reproducción. Este modo no requiere ningún ajuste en la radio, pero el PC deberá ser configurado para permitir a la radio acceder a los archivos de reproducción. Sólo tendrá que hacerlo una vez, siguiendo los siguientes pasos:

1. Si su PC tiene instalado Microsoft Windows XP o Windows Vista, podrá utilizar el Windows Media Player 11(WMP11) de Microsoft que tendrá la función de servidor de reproducción UpnP(Universal plug and Play). Si aún no lo hubiera instalado en su PC, Windows Media Player 11 podrá descargarse de la página web de Microsoft, siendo posteriormente instalado, o bien empleando el servicio de actualización de Windows de Microsoft.
2. Una vez instalado, WMP11 podrá crear una biblioteca (Library) para todos los archivos de reproducción disponibles en el ordenador. Para añadir nuevos archivos de reproducción a la biblioteca, seleccione "File>Add to Library..>Advanced Options", haga clic sobre "Add", elija los archivos que desea agregar y haga clic en OK.

La radio internet se presentará como un dispositivo desconocido (Unknown Device).

Asegúrese de que el dispositivo tiene acceso a los archivos de reproducción compartida seleccionándolo y haciendo clic sobre <Allow>. Después haga clic en OK.

Ahora el PC estará listo para transmitir la música la radio.



E

Ubicación de los archivos de audio de la reproducción compartida(UpnP) mediante el uso de la radio

Una vez que el servidor de reproducción compartida (UpnP) se ha configurado para compartir archivos de reproducción con su radio internet, seleccione los archivos que quiera reproducir como se explica a continuación:

1. Encienda la radio. Pulse el botón BACK y use el dial TUNING para acceder al menú principal, y, dentro del menú principal, acceder a la reproducción compartida (Shared Media)
2. Se mostrarán todos los nombres de los ordenadores de la red. Gire y pulse el dial TUNING para seleccionar el ordenador. Si fuera requerida la comprobación de seguridad del ordenador, la radio podría pedir un nombre de usuario y contraseña.
3. La radio mostrará la lista de las categorías de reproducción que están disponibles gracias al servidor UpnP –por ejemplo, “Music” (Música) y “Playlists” (Listas de reproducción)-.
4. Gire y pulse el dial TUNING diversas veces para seleccionar los archivos de reproducción que quiera reproducir.
5. Cuando la música se encuentre en reproducción, use los botones BACK y FORWARD para seleccionar la pista anterior/siguiente, pulse el botón STOP para detener la reproducción.
6. Para volver al menú anterior, gire el dial TUNING y pulse el botón BACK.

Nota:

En el modo de reproducción compartida –Shared Media- (UpnP) el criterio de búsqueda ofrecido y los tipos de archivo disponibles para la radio son una función del software del servidor UpnP server software instalado en su PC.

Selección de archivos de reproducción

Tanto si accede a sus archivos utilizando Windows Shares o UPnP, los mecanismos de selección de archivo serán los mismos. La única diferencia entre los dos métodos es que cuando use UPnP dispondrá de una mayor amplitud de selección de criterios de búsqueda, como vendrá determinado por el servidor UPnP de su ordenador.

Algunas aplicaciones de servidores de terceros permiten la personalización de los criterios de búsqueda y los métodos de catalogación, que pueden resultar útiles si se tiene una gran colección de archivos musicales almacenada.

El mecanismo de selección le permitirá buscar según un tipo de información determinado (Álbum, Artista, etc.) y después, estrechar la búsqueda, o a un sólo álbum o a una pista en particular perteneciente a un álbum. El álbum o la pista seleccionados se agregarán entonces a la cola de pistas que van a ser reproducidas. Podrá agregar más álbumes o pistas a la cola mientras la música se está reproduciendo, o bien puede saltar de unas pistas a otras en la cola. También podrá despejar la cola si desea realizar una nueva selección. Las búsquedas aquí descritas son sólo ejemplos de las múltiples posibilidades disponibles.

Actualización del software de internet

Hay dos mecanismos para actualizar la radio.

Actualización vía internet

La principal, y la única disponible aunque el sistema del menú sea la actualización del software de internet. Para acceder a esta función:

1. Gire y pulse el dial TUNING para navegar hasta la opción de actualización del software (Software upgrade) del menú.

La dirección es:

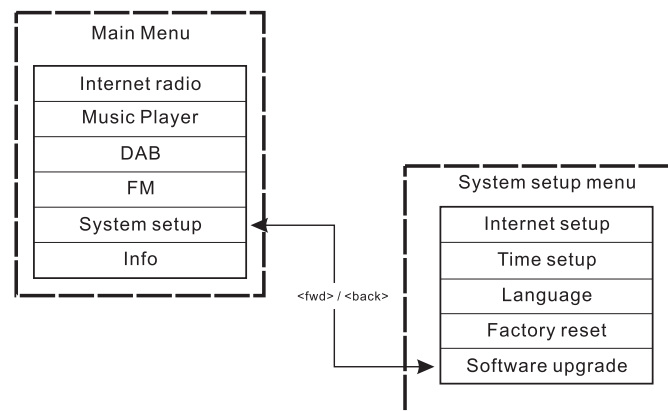
Main Menu → System Setup → Software upgrade

En caso de que haya una nueva versión del software disponible, se le pedirá al usuario que confirme la actualización. Una vez se haya iniciado el proceso, se mostrará una barra de progreso en la pantalla y una pantalla de presentación aparecerá periódicamente recordándole al usuario que no debe dejar de suministrar corriente a la unidad. Esto es muy importante si se quiere mantener la radio en funcionamiento. Si en algún momento se interrumpiera el suministro de corriente a la radio durante la actualización, esta se reiniciará en el modo de actualización de USB.

Cuando el proceso se complete, se presentará el resultado al usuario (ya sea la actualización realizada con éxito –successful- o fallida –failed-). Si dicha actualización se hubiera realizado con éxito, al pulsar <SELECT> reiniciará la radio con el nuevo software.

Nota:

Después de una actualización de software, se mantendrán todas las configuraciones del usuario.



Actualización vía USB

El usuario podría seleccionar el uso de este método en lugar de la actualización del software por internet si no hubiera ninguna conexión de red disponible o si se hubiera dejado de alimentar la radio durante la actualización de internet, la radio necesita tener un binario actualizable en la Flash y usted precisa de una actualización .exe para el binario.

También va a necesitar un cable para conectar la radio a un PC.

No todos los lanzamientos vienen provistos con archivos de actualización.exe adecuados.

Es importante que el cable USB se mantenga conectado durante la actualización efectiva, y deberá retirarse cuando la actualización se haya completado.

1. Inicie el servicio de actualización.exe en el PC
2. El servicio le pedirá que arranque el asistente de actualización del software en la radio Wi-Fi.
3. Si la radio no se encontrara todavía en el modo de actualización (mostrando el texto "Waiting for PC wizard..."-esperando el asistente del PC-), entre en el modo Software upgrade interrumpiendo el suministro de corriente, después mantenga pulsados los botones <skip backwd> y <skip fwd> mientras vuelve a encender la radio.
4. La actualización comenzará automáticamente y llevará unos 2 minutos. Al finalizar la actualización, la radio se reiniciará automáticamente y cargará el nuevo software.

Valores predeterminados

(La dirección que debe seguir hasta llegar a la opción de valores predeterminados es Main menu>System setup>Factory reset)

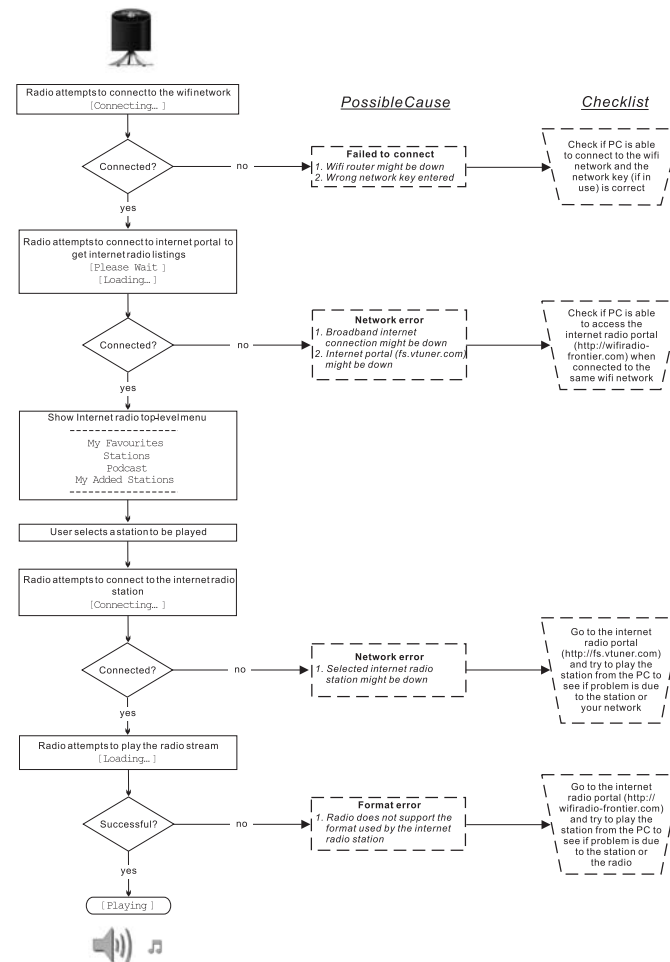
Si desea devolver su radio al estado inicial por completo, podrá hacerlo siguiendo el procedimiento detallado a continuación:

1. Encienda la radio pulsando el botón POWER.
2. Gire y pulse el dial TUNING para entrar en el submenú Factory reset (Valores predeterminados). La dirección que deberá seguir es Main menu>System setup>Factory reset.
3. Después de entrar en el submenú Factory reset, pulse SELECT para confirmar su selección. Después pulse el dial TUNING, y la pantalla mostrará "Restarting" (Reiniciando) durante varios segundos.
4. Cuando la pantalla muestre "Welcome to Internet radio" (Bienvenido a la radio internet), esta habrá regresado a su configuración predeterminada.

Información sobre la radio

En el submenú "Info", podrá consultar la versión del software de la radio y su identificación (ID). Gire y pulse el dial TUNING para navegar en la dirección Main menu>Info> hasta que la pantalla muestre "SW version", y "Radio ID". Entre en cualquiera de ellos para obtener la información que precise.

Localización y resolución de problemas-Conexión a una emisora de internet



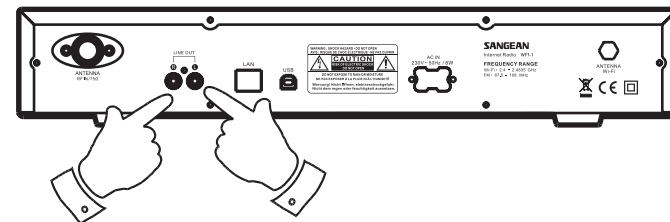
Toma para auriculares

Una toma para auriculares de 3.5mm en la parte posterior de la radio facilita el uso de auriculares. Al conectar la clavija de los auriculares el altavoz quedará automáticamente silenciado.



Toma de salida de línea (3.5mm)

Una toma de salida de línea situada en la parte posterior de la radio facilitará la conexión de la señal de audio a un amplificador externo. Si conecta un cable de audio en esta toma el altavoz interno seguirá en funcionamiento. Si usted lo desea, fije el nivel de volumen de la radio al mínimo.



Especificaciones

Corriente: AC 230 voltios, 50Hz, o AC 110 voltios, 60Hz. 8Vatios.

Conectividad Ethernet por cable, Wi-Fi 10/100M bits/seg vía RJ-45 802.

11b y 802.11g, codificación WEP y WPA aceptada,
2.4-2.4835GHz aceptado




Si en lo sucesivo tuviera la intención de deshacerse de este producto, por favor, no olvide que: La eliminación de productos eléctricos no debe hacerse en conjunción con los residuos del hogar. Por favor, recicle allí donde se hayan habilitado instalaciones a tal efecto. Consulte a sus autoridades locales o su distribuidor sobre los consejos de reciclado (Directiva sobre la Eliminación de Equipos Eléctricos y Electrónicos).

E

Inhoudstafel

<i>Belangrijke veiligheidsvoorschriften</i>	86-87
<i>Knoppen</i>	88-89
<i>Afstandsbediening</i>	90
<i>Vóór u dit product kunt gaan gebruiken</i>	91
<i>Taalinstellingen</i>	91
<i>Aansluiten op een bekabeld netwerk</i>	91
<i>Aansluiten op een draadloos netwerk</i>	92
<i>Eens aangesloten op een netwerk</i>	92
<i>Internetradio beluisteren</i>	92-94
<i>Mijn favorieten en Mijn toegevoegde zenders</i>	95-97
<i>Het uur instellen</i>	98-101
<i>Voorprogrammeren van radiozenders</i>	102
<i>Muziek afspelen</i>	103-107
<i>Internet Software Upgrade</i>	108-109
<i>Terugzetten naar fabrieksinstellingen (reset)</i>	109
<i>Radio informatie</i>	109
<i>Problemen oplossen – verbinden met het internet</i>	110
<i>De koptelefoonaansluiting</i>	111
<i>Line out bus (3.5mm)</i>	111
<i>Specificaties</i>	112

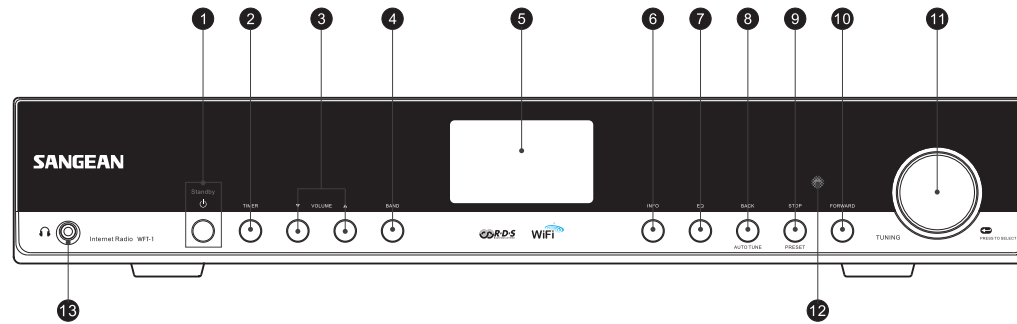
Belangrijke veiligheidsvoorschriften

1. Lees alle gebruiks- en veiligheidsvoorschriften door, en zorg ervoor dat u ze begrijpt, vóór u de radio gaat gebruiken.
2. Bewaar instructies: bewaar de gebruiks- en veiligheidsinstructies voor latere naslag.
3. Volg waarschuwingen: volg alle waarschuwingen op het apparaat en in de gebruiksinstructies.
4. Volg alle behandelings- en gebruiksinstructies.
5. Water en vochtigheid: gebruik het apparaat niet in de buurt van water. Gebruik het niet bij een bad, waskom, wasbak, afwasbak, in een natte kelder, bij een zwembad, enz.
6. Haal vóór het schoonmaken de stekker uit het stopcontact. Gebruik voor het schoonmaken van de buitenkant alleen een bevochtigde doek.
7. Plaats de radio niet op een onstabiele kar, standaard, beugel of tafel. De radio kan vallen en persoonlijk letsel of schade aan de radio veroorzaken.
8. Ventilatie: plaats de radio zodanig dat de plaatsing en locatie een goede ventilatie waarborgen. Plaats de radio bijv. niet op een bed, bankstel, kleed of een andere soort zachte ondergrond die de ventilatieopeningen kan blokkeren.  Plaats de radio niet in een ingebouwde omgeving, zoals in een kast, waarbij de luchtstroom door de ventilatieopeningen verhinderd kan worden.
9. Stel dit toestel niet op in de buurt van een warmtebron, zoals radiatoren, hiteroosters, kachels of andere toestellen (alsook versterkers) die warmte produceren.
10. Hinder de veiligheidsfunctie van de gepolariseerde aardingsstekker niet. Een gepolariseerde stekker heeft twee pinnen waarvan de ene breder is dan de andere. Een aardingsstekker heeft twee pinnen en een aardings tand. De brede pin en ook de derde aardings tand zorgen voor uw veiligheid. Als u de stekker niet volledig in het stopcontact kunt steken, vraag dan aan uw installateur om uw verouderd stopcontact te vervangen.
11. Voedingsbronnen: gebruik de radio alleen met voedingsbronnen van het type dat aangegeven is op het typeplaatje. (Raadpleeg uw radiodealer of elektriciteitsbedrijf als u niet zeker weet wat voor type voeding in uw huis beschikbaar is.)
12. Stroomsnoer: plaats het stroomsnoer zodanig dat mensen er niet makkelijk op kunnen gaan staan, het niet bekneld raakt, en er geen voorwerpen opgezet zullen worden. Wees vooral voorzichtig met de snoeren bij stekkers, stekkerdozen en waar het snoer het apparaat verlaat. Trek altijd aan de stekker, nooit aan het snoer. Gebruik de radio alleen met het type voedingsbron dat aangegeven is op het typeplaatje. Raadpleeg uw radiodealer of elektriciteitsbedrijf als u niet zeker weet wat voor type voeding in uw huis beschikbaar is.

13. Voorkom het overbelasten van stopcontacten en verlengsnoeren.
Dit kan resulteren in brand of elektrische schokken. Steek nooit voorwerpen in de openingen van de radio. De voorwerpen kunnen onder spanning komen te staan of kortsluiting veroorzaken. Dit kan brand en schokken veroorzaken.
14. Gebruik enkel accessoires die goedgekeurd zijn door de producent.
15. Haal de stekker uit het stopcontact als de radio langere tijd onbeheerd of ongebruikt zal zijn. Dit voorkomt mogelijke schade door blikseminslag of stroompieken.
16. Verwijder de batterijen als de radio langere tijd onbeheerd of ongebruikt zal zijn. De batterijen zouden kunnen lekken en uw radio beschadigen.
17. Probeer niet zelf onderhoud aan de ontvanger uit te voeren. Als u de behuizing openmaakt kunt u zichzelf blootstellen aan gevaarlijke spanningen, en de garantie vervalt. Laat al het onderhoud alleen doen door geautoriseerd onderhoudspersoneel.
18. Binnendringen van Voorwerpen en Vloeistoffen: duw nooit voorwerpen in de openingen van de radio, omdat ze punten die onder spanning staan kunnen raken en kortsluiting kunnen veroorzaken. Dit kan leiden tot brand of elektrische schokken. Mors nooit vloeistoffen op/in het apparaat.
19. Het apparaat heeft onderhoud door gekwalificeerd personeel nodig indien:
- A. het stroomsnoer of de stekker beschadigd is.
 - B. voorwerpen in de radio gevallen zijn, of vloeistoffen erin gemorst zijn.
 - C. de radio blootgesteld geweest is aan regen of water.
 - D. de radio niet normaal werkt, of duidelijk anders werkt dan voorheen.
 - E. de radio gevallen is of de behuizing beschadigd is.

Knoppen

(Vooraanzicht)

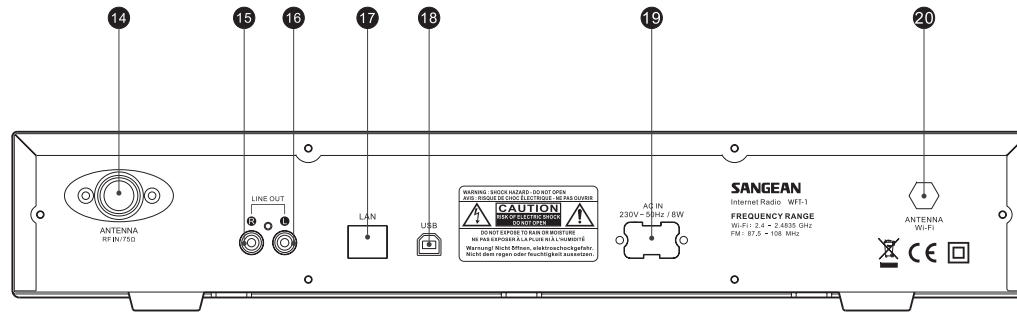


1. AAN/UIT knop
2. TIMER knop
3. VOLUME knop
4. BAND knop
5. LCD weergave
6. INFO knop
7. EQ knop

8. TERUG knop
9. STOP knop
10. VOORWAARTS knop
11. AFSTEM knop
12. Infrarood sensor
13. Koptelefoonaansluiting

Knoppen

(Achteraanzicht)

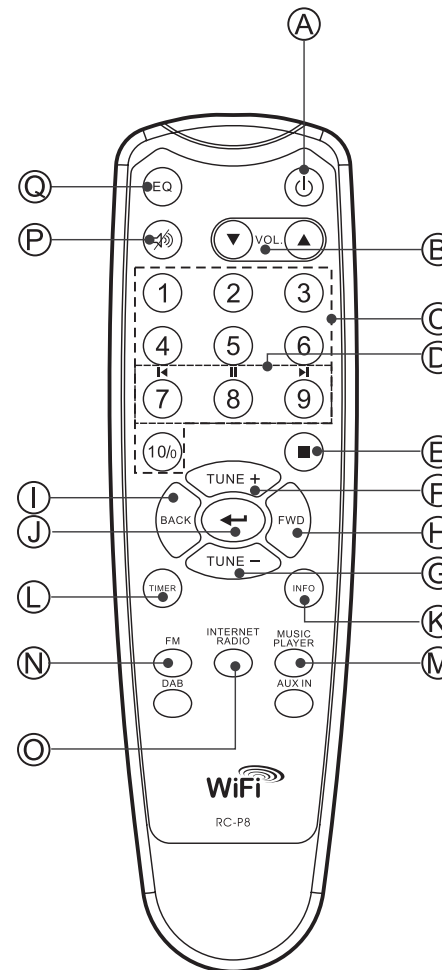


- 14. FM antenne
- 15. LINE OUT bus (rechts)
- 16. LINE OUT bus (links)
- 17. LAN aansluiting (Ethernet)

- 18. USB aansluiting
- 19. Aansluiting stroomsnoer
- 20. Wi-Fi antenne

Afstandsbediening

- A. Aan/uit schakelaar
- B. VOLUME knoppen
- C. Radio Voorprogrammatieknoppen 1-6 en 10.
- D. Radio Voorprogrammatieknoppen 7-9 alsook terugwaarts, pauzeren en voorwaarts
- E. STOP knop
- F. Naar boven toe afstemmen
- G. Naar onder afstemmen
- H. Voorwaarts knop
- I. Terugwaarts knop
- J. Bevestigen knop
- K. INFO knop
- L. TIMER knop
- M. Music player knop
- N FM knop
- O. iRadio knop
- P. Knop geluid uit
- Q. EQ knop



Vóór u dit product kunt gaan gebruiken

Vóór u uw Internetradio kunt gaan gebruiken moet u het volgende hebben:

- Een breedband internetaansluiting.
- Een draadloos toegangspunt (Wi-Fi) of een bedrade Ethernetaansluiting (10 of 100 Mbits/sec met RJ45-aansluiting) die, bij voorkeur via een router, aangesloten is op uw breedband Internet. In veel gevallen zijn uw breedband modem, router en draadloos toegangspunt gecombineerd in één apparaat dat geleverd is door uw Internet Service Provider of dat u kunt kopen in een computerspecialzaak.
- Als uw draadloze netwerk geconfigureerd is met gegevensversleuteling via WEP (Wired Equivalent Privacy) of WPA (Wi-Fi Protected Access), dan moet u de WEP- of WPA-sleutel kennen zodat de Internetradio kan communiceren met uw netwerk.

BELANGRIJK:

Zorg ervoor, vóór u verder gaat, dat uw draadloze toegangspunt en router aan staan en werken met uw breedband Internetvoorziening (gebruik uw computer om dit te testen). Lees de instructies van uw draadloze router om deze operationeel te krijgen.

Taalinstellingen

(Via: Hoofdmenu>Systeeminstellingen>Taal)

1. Hier kunt u de taal van de interface instellen.
2. Druk herhaaldelijk op de TERUG knop totdat het Hoofdmenu verschijnt
3. Draai aan de AFSTEM knop en druk om naar het hoofdmenu te gaan, kies dan Systeeminstellingen en dan Taal.
4. Draai aan de AFSTEM knop en druk deze in om de gewenste taal van de interface te selecteren.

Aansluiten op een bekabeld netwerk

(Via: Systeeminstellingen>Internet setup>Wizard>Bekabeld)

1. Indien u gebruik wenst te maken van een bekabeld netwerk, sluit dan de ethernet kabel aan op de LAN(RJ-45) aansluiting aan de achterzijde van de radio.
2. Zet de radio aan met behulp van de Aan/Uitschakelaar.
3. Draai aan de AFSTEM knop totdat Systeeminstellingen verschijnt, druk dan op de AFSTEM knop.
4. Druk nogmaals op de AFSTEM knop om naar Internetinstellingen te gaan.
5. Druk nogmaals op de AFSTEM knop om naar de Wizard te gaan, waarop de display "Netwerk wizard scanning" toont en hierna alle internetverbindingen weergeeft.
6. Draai aan de AFSTEM knop totdat "Bekabeld" aangeduid wordt. Druk dan op de AFSTEM knop. De display toont "Verbinding aan het maken. Even geduld." Waarop even later: "Verbinding gemaakt" verschijnt. Druk tweemaal op de TERUG knop om terug te keren naar het hoofdmenu.

Indien u problemen ondervindt bij het instellen van een bekabelde verbinding, kunnen de LED's bij de LAN(RJ-45) helpen bij het identificeren van het probleem:

Groen AAN=Verbinding gemaakt, Knipperend= Data overdracht
Geel AAN=100M bps link, UIT=10M bps link.

Aansluiten op een draadloos netwerk

(Via: **Systeeminstellingen>Internet setup>Wizard>Wizard**)

1. Zet de radio aan met behulp van de Aan/Uitschakelaar, wanneer u zich in de buurt van een WiFi toegangspunt bevindt.
2. Draai aan de AFSTEM knop totdat Systeeminstellingen verschijnt, druk dan op de AFSTEM knop.
3. Druk nogmaals op de AFSTEM knop om naar Internetinstellingen te gaan.
4. Druk nogmaals op de AFSTEM knop om naar de Wizard te gaan, waarop het scherm alle internetverbindingen weergeeft.
5. Draai aan de AFSTEM knop tot de gewenste draadloze internetverbinding aangeduid wordt. Druk dan op de AFSTEM knop.
6. Indien het invoeren van een paswoord vereist is, zal de display "show key" tonen. Voer met behulp van de AFSTEM knop uw paswoord in.
< = Back space
← = selecteren
C = annuleren
7. Eens u verbinding heeft gemaakt, druk dan tweemaal op de TERUG knop om terug te keren naar het hoofdmenu

Eens aangesloten op een netwerk

Band keuze (onder het Hoofdmenu)

Dit toestel beschikt over 3 bandkeuzes

1. Internetradio
2. Muziek afspelen
3. FM

Er zijn 3 manieren om een bandkeuze te selecteren

- a. Druk op de BAND knop OF
- b. Gebruik de AFSTEM knop onder het hoofdmenu OF
- c. Druk op iRadio(Internetradio), FM, Mplayer of op de DAB knoppen op de afstandsbediening.

Internetradio beluisteren

(Via: **Hoofdmenu>Internetradio.**)

1. Druk op de AAN/UIT schakelaar om de radio aan te zetten.
2. Wanneer als eerste punt Internetradio aangeduid is, druk dan op de AFSTEM knop, waarop de radio de laatst gekozen zender speelt. Als u voor Internetradio zender wil kiezen volg dan de verdere instructies. (Als u zich niet in het Hoofdmenu bevindt, druk dan op de TERUG knop totdat u "Hoofdmenu" ziet, druk dan op de AFSTEM knop.
3. Draai de AFSTEM knop totdat "Zender" aangeduid is en druk dan op de AFSTEM knop.
4. Het scherm doont dan de 5 opties om een internet zender te zoeken.
* Ga terug naar het voorgaande menu, druk op de TERUG knop.

Volgens land -

Dit laat u toe een radiozender te kiezen uit een lijst per regio (werelddelen) en dan per land.

- a. Als "Locatie" aangeduid is, druk dan op de AFSTEM knop om de werelddelen te tonen.
- b. Draai aan de AFSTEM knop totdat het gewenste werelddeel aangeduid wordt. Druk dan op de knop om dit werelddeel te selecteren. Kies op dezelfde manier het land.
- c. Kies op dezelfde manier het type muziek.
- d. Druk op de AFSTEM knop om een zender te selecteren, u kunt nu naar de muziek luisteren.

Volgens genre -

Dit laat u toe een radiozender te kiezen volgens hun inhoud, bijvoorbeeld klassiek, rock, sport, nieuws, enz.

- a. Draai aan de Afstemknop tot "Genre" aangeduid wordt. Druk dan op de Afstemknop.
- b. Draai aan de Afstemknop om doorheen de genrelijst te bladeren (muziekgenres) en druk op de Afstemknop om het gewenste muziekgenre te selecteren.
- c. Selecteer het gewenste land op dezelfde manier
- d. Selecteer de gewenste radiozender op dezelfde manier en start aldus het beluisteren.

Volgens zender

- a. Draai aan de AFSTEM knop tot "Zoek zender" aangeduid wordt. vvDruk dan op de AFSTEM knop.
- b. Draai aan de AFSTEM knop , het scherm toont cijfers en letters.
- c. Voer de naam in van de gewenste zender door aan de AFSTEM knop te draaien: druk op de TERUG of VOORWAARTS knop om het cijfer of de letter te kiezen, druk dan op de AFSTEM knop om het cijfer of de letter in te voeren.
 - < = Back space
 - ← = selecteren
 - C = annuleren
- d. Als u de volledige naam ingevoerd heeft, druk dan op enter en druk dan de AFSTEM knop ←. De overeenstemmende zenders worden getoond.
- e. Draai aan de AFSTEM knop om de gewenste zender te kiezen en druk op de knop om op deze zender af te stemmen.

Volgens "Populaire zenders"

- a. Draai aan de AFSTEM knop tot "Populaire zenders" aangeduid is. Druk dan op de knop.
- b. Het scherm toont de meest populaire zenders. Draai aan de AFSTEM knop om een zender te kiezen en druk dan op deze knop om op de gewenste zender af te stemmen.

Volgens “Nieuwe zenders”

- a. Draai aan de AFSTEM knop tot “Nieuwe zenders” aangeduidt wordt.
Druk dan op de knop.
- b. Het scherm toont de laatst bijgekomen radiozenders. Draai een de AFSTEM knop om een zender te kiezen, druk dan op de knop om op de zender af te stemmen.

Podcast

(Via Hoofdmenu>Internetradio>Podcast)

Dit laat u toe via Podcast diensten te beluisteren volgens land, genre of op naam.

1. Draai aan de AFSTEM knop en kies Hoofdmenu → Internetradio → Podcast.
2. In het sub-menu kunt u “Podcast zenders” kiezen volgens land, genre en naam.
3. Om op naam te kiezen, voert u de naam in door het draaien en indrukken van de AFSTEM knop ←. Kies Annuleren C om het zoeken te beëindigen.

Mijn favorieten en Mijn toegevoegde zenders

De functie Mijn favorieten en Mijn toegevoegde zenders laat toe Internetradio zenders op de Frontier website te zetten en deze te beluisteren op uw radio.

Als u de eerste keer deze functies gebruikt, gelieve u dan eerst op de website te registreren.

1. Draai aan de AFSTEM knop en volg Hoofdmenu>Internetradio>Help> Haal toegangscode. Het scherm toont nu de toegangscode.
2. Surf in uw web browser naar <http://wifiradio-frontier.com>, klik op "Hier aanmelden" en vul het formulier in met de toegangscode zoals op het scherm van de radio getoond werd. "WiFi radio model" hoeft u niet in te vullen.
3. Na registratie ziet u op de site "Mijn Favorieten" en "Mijn registratie".
Telkens wanneer u de functies wil gebruiken, surft u naar deze site en logt u in met uw email adres en paswoord.



A. Mijn Favorieten



1. Nadat u op uw computer ingelogd bent op de site, kunt u een zender kiezen met de functies "Bladeren" of "Zoeken". Klik op het icoon "Toevoegen" en de zender wordt in de map Mijn Favorieten bijgevoegd.
2. Draai aan de AFSTEM knop en volg Hoofdmenu>Internetradio> Mijn favorieten, en de radio toont de zenders die u ingevoerd hebt onder "Mijn Favorieten" van op uw computer.
3. Kies nu een zender door aan de AFSTEM knop te draaien en in te drukken bij de gewenste zender.

B. Mijn toegevoegde zenders

Deze functie laat u toe internetradiozenders waarvan u het webadres kent, toe te voegen.

1. Nadat u ingelogd bent op de website, klikt u op de pijl onder "Mijn toegevoegde zenders", waarop u het volgende scherm ziet:
2. Vul het formulier in; denk eraan dat de URL van de zender ingevoerd wordt zoals voorgeschreven op de webpagina.
3. Draai aan de AFSTEM knop en volg Hoofdmenu >Internetradio>> Mijn toegevoegde zenders en de radio toont de zenders die u ingevoerd hebt onder "Mijn Toegevoegde zenders" van op uw computer.
4. Kies nu een zender door de aan AFSTEM knop te draaien en in te drukken bij de gewenste zender.





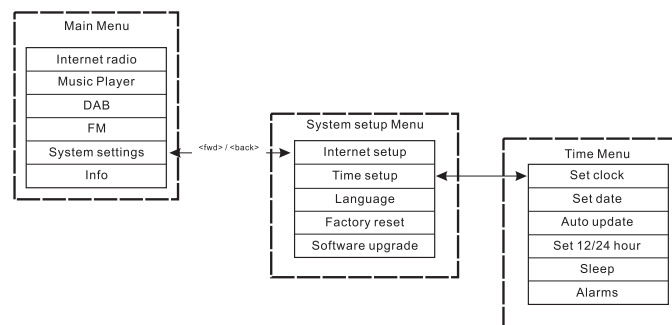
FM radio beluisteren (Via Hoofdmenu>FM)

1. Zet de radio aan met de AAN/UIT schakelaar.
2. Druk FM in op de afstandsbediening, ga dan verder naar stap 4, of ga naar het hoofdmenu. (Indien u zich niet in het hoofdmenu bevindt, druk dan op TERUGWAARTS to 'Hoofdmenu' verschijnt, en druk dan op de Afstem knop.
3. Ga naar het Hoofdmenu (als u zich niet in het hoofdmenu bevindt, druk dan op TERUG totdat u "Hoofdmenu" ziet, en druk dan op de AFSTEM knop).
4. Draai aan de AFSTEM knop om FM te kiezen en druk dan op de AFSTEM knop.
5. Draai aan de AFSTEM knop om de FM radio frequentie te kiezen, u kunt nu de zender beluisteren.

Het uur instellen

(Via Hoofdmenu>Systeminstellingen>Het uur instellen)

1. Ga naar het Hoofdmenu. (Druk indien nodig op de TERUG knop als u zich niet in het Hoofdmenu bevindt.). Draai aan de AFSTEM knop tot het hoofdmenu aangeduid wordt, druk dan op de AFSTEM knop.
2. Ga op dezelfde manier naar Systeem instellingen
3. Ga op dezelfde manier naar Tijd instellen
4. Ga op dezelfde manier naar Het uur instellen
5. Draai aan de AFSTEM knop om het uur in te stellen.
6. Druk op de AFSTEM knop en draai verder om de minuten in te stellen.
7. Druk op de AFSTEM knop: het uur is ingesteld.



De datum instellen

(Via Hoofdmenu> Systeminstellingen >Het uur instellen>

Datum instellen)

8. Draai aan de AFSTEM knop totdat Datum instellen aangeduid wordt.
9. Draai aan de AFSTEM knop om de maand in te stellen, druk dan op de AFSTEM knop
10. Draai aan de AFSTEM knop om de dag in te stellen, druk dan op de AFSTEM knop.
11. Draai aan de AFSTEM knop om het jaar in te stellen, druk dan op de AFSTEM knop: de datum is nu ingesteld.

* U kan altijd terugkeren naar een hoger niveau in het menu door op de TERUG knop te drukken.

Automatisch instellen (voor de DAB versie)

Het menu Automatisch instellen laat u toe te kiezen of het uur moet gesynchroniseerd worden met de DAB radiozender klok.

Als "Niet bijstellen" gekozen wordt, moet de tijd manueel ingesteld worden door de gebruiker.

12/24 uur instellen

(Via Hoofdmenu>Systeeminstellingen>Uur instellen> Instellen 12/24 u)

U kunt hiermee de aanduiding van de klok op 12 of op 24 uur instellen.

1. Dit kan op dezelfde manier als bij het instellen van uur en datum:
Draai aan de Afstemknop en druk deze in om 12u of 24u weergave in te stellen. Dit doet u via Hoofdmenu → Systeeminstellingen → Tijdsinstellingen → Instellen 12u/24u.
2. Draai aan de AFSTEM knop en druk bij "Selecteer 12u instellen" of "Selecteer 24u instellen" om respectievelijk de 12 of 24 uuraanduiding in te stellen.

Slaaptimer instellen

(Via: Hoofdmenu>Systeeminstellingen>Tijd instellen> Slaaptijd instellen)

U kan de radio zo instellen dat hij na een vooraf ingestelde tijd afslaat. Deze slaaptijd kan ingesteld worden op 15, 30, 45 of 60 minuten.

1. Druk op de TIMER knop op het voorpaneel en ga naar punt 4 of ga naar het Hoofdmenu (druk eventueel op de TERUG knop als u zich niet in het Hoofdmenu bevindt). Draai aan de AFSTEM knop totdat Hoofdmenu aangeduid wordt. Druk dan op de AFSTEM knop.
 2. Draai aan de AFSTEM knop tot "Systeeminstellingen" aangeduid wordt, druk dan op de AFSTEM knop.
 3. Draai aan de AFSTEM knop tot "Uur instellen" aangeduid wordt, druk dan op de AFSTEM knop .
 4. Draai aan de AFSTEM knop tot "Slaap" aanguid wordt; druk dan op de AFSTEM knop.
 5. Draai aan de AFSTEM knop om de slaaptimer in te stellen op 15, 30, 45 of 60 minuten, of "Uit". Druk op de AFSTEM knop.
- * Om de slaaptimer uit te zetten, kiest u "Uit" in hetzelfde menu.

Het alarm instellen

(Via Hoofdmenu>Systeeminstellingen>Uur instellen>Alarm)

De datum en het uur moeten reeds ingesteld zijn om de alarmfunctie te kunnen gebruiken.

1. U kan op 2 manieren naar het alarm menu gaan.

i. Druk op de TIMER knop op het toestel of op de afstandsbediening.
Draai dan aan de AFSTEM knop totdat u Alarm 1 en Alarm 2 ziet.

ii. Dit is een submenu van het Time menu

(Main menu > System setup > Time setup > Alarms)

a. Druk op de TERUG knop tot aan het Hoofdmenu, druk dan op de AFSTEM knop.

b. Draai aan de AFSTEM knop tot Systeeminstellingen aangeduid wordt. Druk dan op de AFSTEM knop .

c. Draai aan de AFSTEM knop tot "Uur instellen" aangeduid wordt.
Druk dan op de AFSTEM knop

d. Draai aan de AFSTEM knop tot "Alarm" aangeduid wordt. Druk dan op de AFSTEM knop.

2. In het Alarm menu kunt u 2 alarmen instellen. Kies Alarm 1 of Alarm 2 en druk op de AFSTEM knop .

3. De alarm tijd instellen

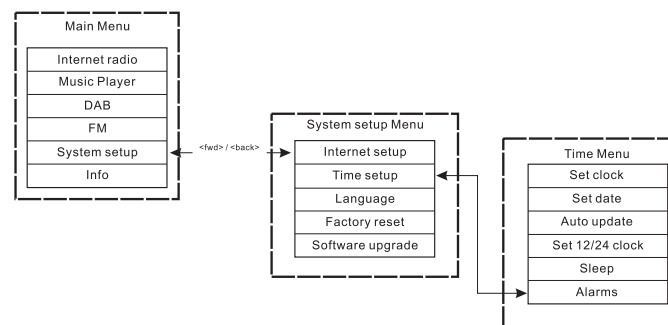
a. Als "TIME" aangeduid wordt, druk dan op de AFSTEM knop.
Draai dan aan de AFSTEM knop om het uur in te stellen.



b. Druk op de AFSTEM knop en draai deze verder om de minuten in te stellen. Druk dan op de AFSTEM knop.

4. Zet het alarm aan.

a. Draai aan de AFSTEM knop tot UIT aangeduid wordt.

b. Druk op de AFSTEM knop om AAN in te stellen.



- 
- 
5. Stel de alarm modus in (Zoemer, Internetradio, FM, laatst gebruikt, of vooraf ingesteld)
 - a. Draai aan de AFSTEM knop tot "Modus" aangeduid wordt. Druk dan op de AFSTEM knop. .Draai daarna aan de AFSTEM knop om "Zoemer", "internetradio" of "FM" te kiezen. Druk dan op de AFSTEM knop. U kan ook het volgende doen:
 - b. Draai aan de AFSTEM knop tot "Laatst gebruikt" aangeduid wordt. Druk op de AFSTEM knop. "Laatst gebruikte voorprogrammatie" (indien u hiervoor koos) is ingesteld. Druk op de AFSTEM knop.
 6. Het volume instellen:
 - a. Draai aan de AFSTEM knop tot "Volume" aangeduid word. Druk dan op de AFSTEM knop .
 - b. Draai aan de AFSTEM knop om het volume in te stellen. Druk dan op de AFSTEM knop .
 7. Het alarm opslaan: De instellingen worden pas opgeslagen als in het menu "Opslaan" gekozen wordt, zoniet gaan de instellingen verloren. Draai aan de AFSTEM knop tot "Opslaan" aangeduid wrodt. Druk dan op de AFSTEM knop . Het alarm is nu opgeslagen en geactiveerd.

Het alarm uitschakelen

1. Via Hoofdmenu>Systeeminstellingen>Tijd instellen>Alarm
2. Draai aan de AFSTEM knop om het alarm dat u wil afzetten te kiezen. Druk dan op de AFSTEM knop.
3. Draai aan de AFSTEM knop tot ON aangeduid wordt. Druk dan op de AFSTEM knop .
4. Nu wordt OFF aangeduid.
5. Draai aan de AFSTEM knop tot "Opslaan" wordt aangeduid. Druk op de AFSTEM knop. Het alarm staat nu uit.

Voorprogrammeren van radiozenders

Vooraf instellen is beschikbaar in volgende modi:

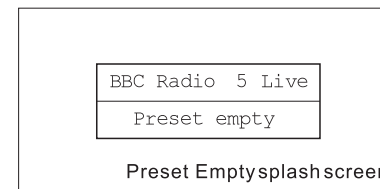
- Internetradio
- DAB
- FM

Een instelling oproepen kan door kort een nummertoets van de afstandsbediening in te drukken, een instelling kan opgeslagen worden door lang te drukken.

Onderstaand voorbeeld geldt voor DAB:



Als een instelling niet uitgevoerd is, wordt het volgend scherm getoond met "Instelling leeg" op de onderste lijn.



In het geval van DAB, FM of Internetradio duiden voorinstellingen op een bepaalde dienst. Dit is niet mogelijk in de Music Player mode (muziek afspeel modus) die dus geen voorinstellingen heeft.

Muziek afspelen

(Op de computer opgeslagen muziek afspelen)

De Media Player laat toe geluidsbestanden, opgeslagen op uw computer of een computer in uw netwerk, af te spelen.

Uw radio ondersteunt 2 manieren om de bestanden te lezen. Hij kan verbinding maken met gedeelde mappen in het netwerk en met bestandstoepassingen gebruik makend van het Universal Plug and Play (UpnP) protocol gekend als Shared Folders (gedeelde mappen).

Alle ondersteunde bestandstypes kunnen afgespeeld worden in de Windows Shares modus.

Wanneer u een UpnP server gebruikt hangt het af speelbare bestandstype af van de gebruikte software.

Bijvoorbeeld, Microsoft Windows Media Player11 kan MP3, WMA en WAV bestanden afspelen. Om andere bestanden via UpnP af te spelen moet u mogelijk bijkomende software installeren.

Bij Windows Shares is de muziekselectie per Artiest, per Album en per Nummer binnen een Album mogelijk.

Bij een Shared Media UpnP servers zijn de zoek- en keuzemogelijkheden bepaald door de server, maar ze hebben ook bijkomende mogelijkheden zoals Genre. Verschillende toepassingen op servers laten toe bestanden te lezen naargelang de mappen waarin ze opgeslagen zijn.

Instellingen voor gedeelde mappen

Computer:

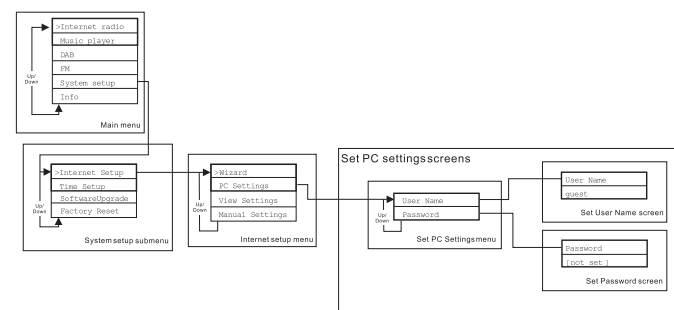
Een gedeelde schijf configureren:



Uw Windows PC instellen om de radio toegang te geven tot uw geluidsbestanden via Windows Shares:

1. Zorg ervoor dat uw PC op hetzelfde netwerk aangesloten is als uw internetradio. Kijk met Windows Explorer in welke mappen uw geluidsbestanden opgeslagen zijn.
2. Rechterklik op de map.
3. Selecteer "Eigenschappen"
4. Klik op "Delen".
5. Selecteer "Deel deze map in het netwerk" en "Laat andere gebruikers toe mijn bestanden te wijzigen"

Wi-Fi Radio

Als er een gebruikersnaam en paswoord voor de gedeelde mappen ingesteld zijn op de PC, stel deze dan in op de radio. Hoe dit gebeurt ziet u op het schema hiernaast.





Met de internetradio geluidsbestanden lokaliseren in Gedeelde mappen

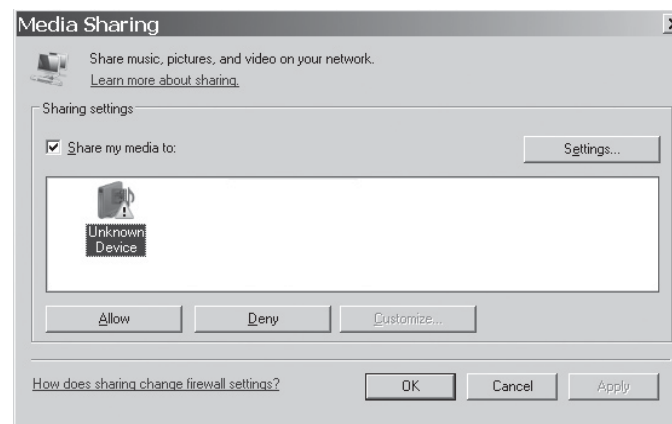
1. Zet de radio aan. Druk op de TERUG knop en gebruik de AFSTEM knop om naar het Hoofdmenu te gaan; ga in het Hoofdmenu naar "Gedeelde mappen".
2. Alle computers in het netwerk worden nu getoond. Gebruik de AFSTEM knop om de gewenste computer te selecteren. Indien de veiligheidsinstellingen van de computer dit vereisen kan de radio om de gebruikersnaam en het paswoord vragen.
3. De radio toont al de gedeelde mappen. Gebruik de AFSTEM knop om de map en het nummer te kiezen dat u wil beluisteren.
4. Tijdens het afspelen, gebruikt u de TERUG en VOORUIT knop om het voorgaande of volgende nummer te kiezen, druk op de STOP knop om het afspelen te beëindigen.
5. Om terug naar het voorgaande menu te gaan, draait u aan de AFSTEM knop en drukt u op de TERUG knop.

Instellen Shared Media(UpnP)

Shared Media gebruikt Windows Media Player (WMP) 11 en hoger als media server. Hiervoor zijn er geen instellingen op de radio vereist maar de PC moet ingesteld worden om de radio toegang te geven tot deze media. U hoeft dit slecht één keer doen. Voer hiervoor de volgende stappen uit:

1. Wanneer uw PC draait op Microsoft Windows XP of Windows Vista dan kunt u Microsoft's Windows Media Player 11 (WMP11) gebruiken als UpnP (Universal plug and Play) media server. Indien dit programma nog niet op uw PC geïnstalleerd is, kunt u Windows Media Player11 downloaden van de Microsoft's website en installeren ofwel Microsoft's Windows Update Facility gebruiken.
2. Eenmaal geïnstalleerd maakt WMP11 een bibliotheek van alle media bestanden op uw PC. Om nieuwe media bestanden aan de bibliotheek toe te voegen, kiest u "Bestanden>Toevoegen aan bibliotheek>Geavanceerd, klik "Toevoegen", kies de gewenste bestanden en klik op OK..

De internetradio wordt initieel voorgesteld als "Onbekend toestel" Zorg ervoor dat het toestel toegang heeft tot de gedeelde media door het te selecteren en op "Toestaan" en op OK te klikken. De PC is nu klaar om de muziek naar de radio te sturen.



Audio bestanden van UpnP lokaliseren via de radio

Eens de (UpnP) server geconfigureerd is om media bestanden te delen met uw internetradio, kiest u de bestanden die u wil afspelen als volgt:

1. Zet de radio aan. Druk op de TERUG knop en gebruik de AFSTEM knop om naar het Hoofdmenu en naar Gedeelde Media te gaan.
2. De radio toont de naam van alle computers in het netwerk; gebruik de AFSTEM knop om een computer te selecteren.. Indien nodig vraagt de radio naar de gebruikersnaam en het paswoord.
3. De radio toont nu een lijst van de categorieën, beschikbaar gesteld door de UpnP server, bijvoorbeeld "Muziek" en "Afspeellijsten".
4. Gebruik de AFSTEM knop herhaaldelijk om de bestanden die u wil afspelen te kiezen.
5. Tijdens het afspelen van de muziek, gebruikt u de TERUG en VOORUIT knop om het voorgaande of volgende nummer te kiezen, druk op de STOP knop om het afspelen te beëindigen.
6. Om terug naar het voorgaande menu te gaan, draait u aan de AFSTEM knop en drukt u op de TERUG knop.

Noot:

In de Gedeelde Media (UpnP) modus zijn de aanwezige zoekcriteria en beschikbare bestandstypes afhankelijk van de geïnstalleerde software van de UpnP server software op uw PC.

Media selectie

Of u nu Window Shares of UpnP gebruikt, de mechanismen om een bestand te selecteren zijn hetzelfde. Het enige verschil is dat u bij UpnP meer zoekcriteria heeft, bepaald door de server software op uw PC. Sommige toepassingen laten toe de zoekcriteria en de indexingmethode aan te passen, hetgeen nuttig kan zijn als u een uitgebreide verzameling opgeslagen muziekbestanden heeft. U kan eerst selecteren op een zoekfactor (Album, Artiest, enz.) en dan de keuze verder verfijnen naar een album of een nummer van een bepaald album. Het gekozen nummer wordt toegevoegd aan een lijst van te spelen nummers. U kan tijdens het afspelen nummers aan deze lijst toevoegen of u kan overschakelen naar een ander nummer van de lijst. U kan de lijst helemaal leeg maken en een volledig nieuwe selectie maken. De beschreven opzoekingen zijn voorbeelden van de beschikbare mogelijkheden.

Internet Software Upgrade

Er zijn 2 mogelijkheden om de software van uw radio te upgraden.

Upgrade via Internet

De voornaamste manier, en enige die beschikbaar is via het menusysteem, is de internet upgrade.

Dit gebeurt als volgt:

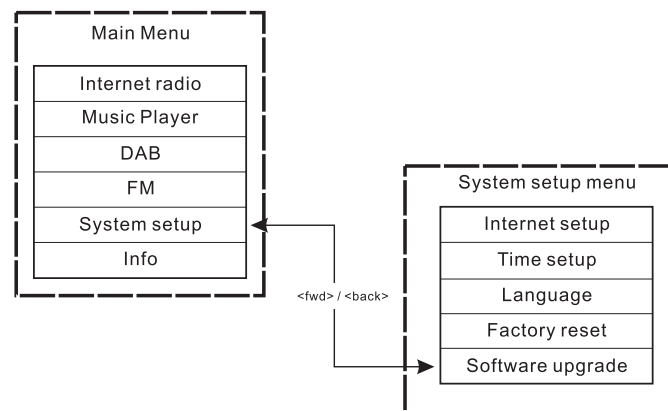
1. Gebruik de AFSTEM knop om naar de Software upgrade optie te gaan in het menu via Hoofdmenu → Systeeminstellingen → Software upgrade

Als er een nieuwe versie van de software beschikbaar komt, wordt u gevraagd de upgrade te bevestigen. Tijdens het updaten ziet u een voortgangsbalk op het scherm en een startvenster verschijnt met tussenpozen om u eraan te herinneren het toestel niet uit te schakelen. Dit is zeer belangrijk om de radio operationeel te houden. Als de stroom uitvalt tijdens het upgraden kan de radio terug opstarten in de USB upgrade modus.

Als de update klaar is wordt het resultaat (al dan niet geslaagd) getoond. Indien geslaagd, drukt u op <SELECTEREN> om de radio terug op te starten met de nieuwe software.

Noot:

Na een upgrade worden de gebruikersinstellingen bewaard.



Upgraden via USB

U kan voor deze optie kiezen in plaats van een software upgrade via het internet, indien er geen netwerkverbinding beschikbaar is, of indien de stroomtoevoer werd onderbroken op het moment dat de radio een internet upgrade onderging. De radio dient te beschikken over een upgradeable binary in Flash en u heeft eveneens een upgrade.exe voor de binary.

U heeft eveneens een kabel nodig om de radio met de computer te verbinden. Niet alle versies beschikken over de gepaste .exe upgrade bestanden.

Het is belangrijk dat de USB kabel enkel aangesloten is tijdens de upgrade zelf, en dat deze verwijderd wordt eens de upgrade voltooid is.

1. Start het upgrade.exe programma op de computer.
2. Het programma zal u hierop vragen om de software upgrade wizard te laten draaien op uw Wi-Fi radio.
3. Indien de radio zich nog niet in de upgrade modus bevindt ('Wachten op Pc wizard...' verschijnt'), ontkoppel deze dan van de stroomtoevoer, en houdt de knoppen 'achterwaarts' en 'voorwaarts' ingedrukt wanneer u de radio weer aanschakelt.
4. De upgrade zal automatisch opstarten en ongeveer 2 minuten in beslag nemen. Wanneer het proces voltooid is, zal de radio automatisch herstarten en de nieuwe software inladen.

Terugzetten naar fabrieksinstellingen

(Via Hoofdmenu>Systeeminstellingen>Fabrieksinstellingen)

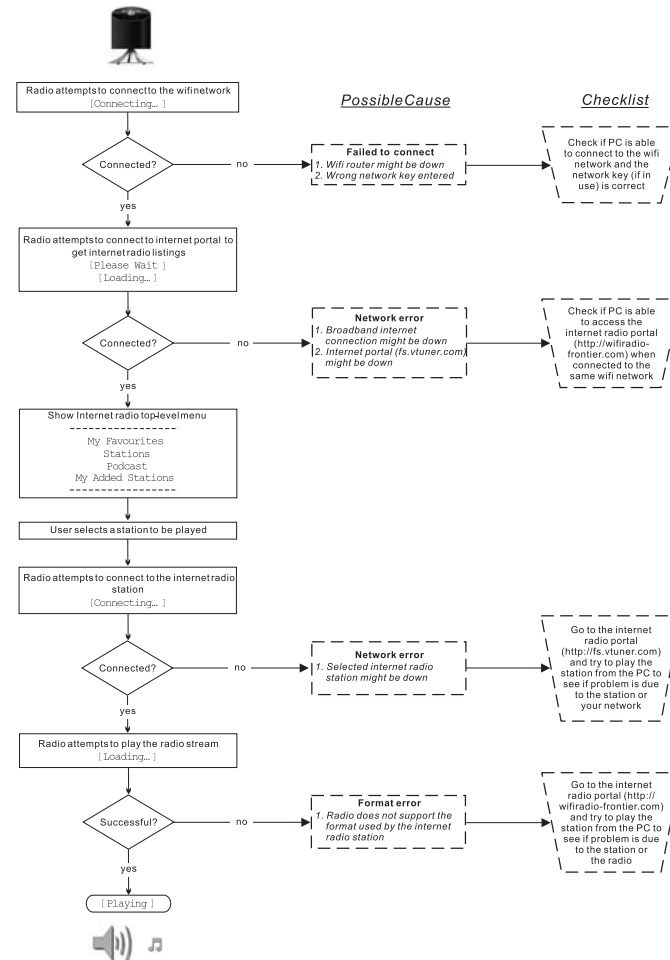
U kunt de instellingen van de radio volledig terugzetten naar de oorspronkelijke instellingen als volgt:

1. Zet de radio aan met de AAN/UIT schakelaar.
2. Gebruik de AFSTEM knop om naar het menu Fabrieksinstellingen te gaan via Hoofdmenu> Systeeminstellingen > Fabrieksinstellingen.
3. Druk SELECT om uw keuze te bevestigen. Druk dan op de AFSTEM knop en het scherm toont "Terug opstarten" gedurende enkele seconden.
4. Als het scherm " Welkom bij de internetradio" toont is de radio terug ingesteld op de fabrieksinstellingen.

Radio informatie

Onder het submenu "Info" kunt u de software versie en de ID controleren van de radio. Gebruik de AFSTEM knop en ga naar Info via Hoofdmenu> Info> en het scherm toont "SW version" (software versie) en "Radio ID". Kies een van beide om de informatie te controleren.

Problemen oplossen – verbinden met het internet



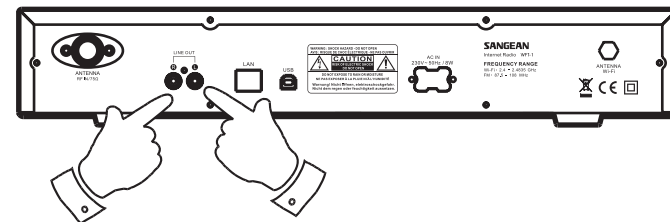
De koptelefoonaansluiting

De achterzijde van de radio bevat een 3,5mm koptelefoonaansluiting die voorzien is voor het geval u een koptelefoon wilt gebruiken. Als u de koptelefoonstekker erin steekt worden de interne luidsprekers automatisch uitgezet.



Lijn-uitgang (3,5mm poort)

De achterzijde van de radio bevat een 3,5mm Lijn-uitgang voor het uitvoeren van het audiosignaal naar een externe versterker. Als u een audiokabel in deze poort steekt wordt de interne versterker niet uitgeschakeld. Zet indien gewenst het volume van de radio op het laagste niveau.



Specificaties

Stroom: AC 230 volt, 50Hz, of AC110 volt, 60Hz. 8 Watt.

Verbindingen Wired Ethernet Wi-Fi 10/100M bits/sec via RJ-45 802.11b en 802.11g WEP en WPA encryptie ondersteund 2.4-2.4835GHz




Als u op een later moment dit product van de hond zou willen doen, merk dan op dat: afgedankte elektrische producten horen niet weggegooid te worden in het huishoudelijk afval. Recycleer het product indien de faciliteiten hiervoor beschikbaar zijn. Raadpleeg uw plaatselijke overheid of speciaalzaak voor advies betreffende hergebruik. (Richtlijnen voor Afgedankte Elektrische en Elektronische Apparatuur)

NL

Inhalt

<i>WICHTIGE SICHERHEITSHINWEISE</i>	114-115
<i>Tasten und Anschlüsse</i>	116-117
<i>Fernbedienung</i>	118
<i>Vor der ersten Benutzung</i>	119
<i>Spracheinstellungen (Language Setup)</i>	119
<i>Verbindung mit einem LAN-Netzwerk</i>	119
<i>Verbindung mit einem WLAN-Netzwerk</i>	120
<i>Bei hergestellter Verbindung</i>	120
<i>Internetradio hören</i>	120-122
<i>Lieblingssender und selbst hinzugefügte Sender (My favorite und My added stations)</i>	123-125
<i>Bedienung der Uhr</i>	126-129
<i>Senderspeicher</i>	130
<i>Musikspieler (Music Player)</i>	131-135
<i>Softwareaktualisierung über Internet</i>	136-137
<i>Werksrücksetzung</i>	137
<i>Radioinformation</i>	137
<i>Fehlerdiagnose - Verbindung mit einem Internetradiosender</i>	138
<i>Kopfhörerbuchse</i>	139
<i>Line out-Buchse (3.5mm Klinke)</i>	139
<i>Technische Daten</i>	140

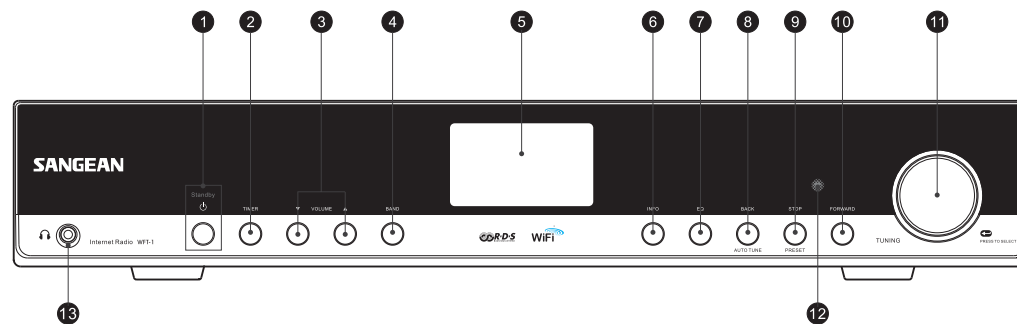
Wichtige Sicherheitshinweise

1. Lesen und verstehen Sie vor der Inbetriebnahme alle Sicherheits- und Bedienungshinweise.
2. Bewahren Sie die Anleitung auf: Die Sicherheitshinweise und die Bedienungsanleitung sollten Sie für den späteren Gebrauch aufbewahren.
3. Beachten Sie die Warnhinweise. Alle Warn- und Bedienungshinweise auf dem Gerät sollten unbedingt befolgt werden.
4. Befolgen und benutzen Sie alle Anweisungen.
5. Wasser und Feuchtigkeit: Das Gerät sollte nicht in der Nähe von Wasser benutzt werden. Benutzen Sie das Gerät nicht in der Nähe von Badewannen, Waschbecken, Spülen, feuchten Kellerräumen, Swimmingpools etc.
6. Ziehen Sie vor der Reinigung des Geräts immer den Stecker aus der Steckdose. Benutzen Sie zur Reinigung der Außenseite lediglich ein feuchtes Tuch.
7. Benutzen Sie zur Aufstellung des Geräts keine instabilen Wagen, Gestelle, Haltevorrichtungen oder Tische. Das Gerät kann herunterfallen und damit zu Verletzungen oder Beschädigungen am Gerät führen.
8. Ventilation: Das Gerät sollte so  aufgestellt werden, dass die Luftzirkulation nicht beeinträchtigt wird. Das Gerät sollte z. B. nicht auf ein Bett, Sofa, Bettvorleger oder eine andere weiche Unterlage gestellt werden, bei der die Ventilationsöffnungen blockiert werden könnten. Das Gerät sollte nicht an Orten aufgestellt werden, an denen die Luftzufuhr zu den Ventilationsöffnungen beeinträchtigt werden könnte.
9. Dieses Gerät darf nicht in der Nähe von Wärmequellen wie Heizkörpern, Heißluftauslässen, Öfen oder anderen Wärme produzierenden Geräten (einschließlich Verstärkern) installiert werden.
10. Die Sicherheitsvorrichtung des geerdeten oder gepolten Steckers darf nicht außer Kraft gesetzt werden. Bei einem gepolten Stecker ist ein Stift breiter als die anderen. Ein geerdeter Stecker hat zwei Stifte und einen dritten Kontakt zur Erdung. Bei dem breiten Stift bzw. dem dritten Kontakt handelt es sich um eine Sicherheitsvorrichtung. Falls der mitgelieferte Stecker nicht in Ihre Steckdose passt, wenden Sie sich bitte an einen Elektriker, um die veraltete Steckdose austauschen zu lassen.
11. Stromversorgung: Das Gerät sollte nur an Stromnetze angeschlossen werden, die den Spezifikationen auf dem Typenschild entsprechen. Falls Sie sich nicht sicher über die Spezifikationen Ihres Stromnetzes sind, wenden Sie sich bitte an Ihren Händler oder Ihren Stromnetzbetreiber.

12. Netzkabel: Das Netzkabel sollte so verlegt werden, dass niemand darauf treten kann oder Objekte darauf gestellt werden. Achten Sie insbesondere auf den Stecker, bei Steckdosen oder am Ausgangspunkt des Kabels am Gerät. Ziehen Sie den Stecker aus der Steckdose, indem Sie am Stecker ziehen und nicht am Kabel. Benutzen Sie das Gerät nur mit dem auf dem Gerät angegebenen Netzstrom. Falls Sie sich nicht sicher über die Spezifikationen Ihres Stromnetzes sind, wenden Sie sich bitte an Ihren Händler oder Ihren Stromnetzbetreiber.
13. Überlasten Sie die Wandsteckdosen und Verlängerungskabel nicht. Ansonsten kann erhöhte Feuer- und Stromschlaggefahr bestehen. Stecken Sie niemals Gegenstände in die Öffnungen des Geräts. Mit den Gegenständen könnten Hochspannungspunkte innerhalb des Geräts berührt werden oder Kurzschlüsse verursacht werden. Dies kann zu erhöhter Feuer- und Stromschlaggefahr führen.
14. Benutzen Sie nur vom Hersteller angegebenes Zubehör.
15. Wenn das Gerät für längere Zeit nicht benutzt wird, ziehen Sie bitte den Stecker aus der Steckdose heraus. Dadurch werden eventuelle Schäden durch Spannungsschwankungen oder Gewitter vermieden.
16. Wenn das Gerät für längere Zeit nicht benutzt wird, nehmen Sie bitte die Batterien heraus. Die Batterien können auslaufen und zu Schäden an Mobiliar und Gerät führen.
17. Versuchen Sie nicht das Gerät selbst zu reparieren. Bei Öffnen des Gehäuses setzen Sie sich gefährlicher Hochspannung aus und machen die Garantie nichtig. Wenden Sie sich nur an ausgebildetes Wartungspersonal.
18. Fremdgegenstände – Versuchen Sie niemals Gegenstände irgendwelcher Art in das Gerät zu stecken. Hochspannungsteile könnten berührt werden und zu Feuer oder Stromschlag führen. Lassen Sie niemals Flüssigkeiten irgendwelcher Art auf das Gerät kommen.
19. Lassen Sie das Gerät durch ausgebildetes Wartungspersonal reparieren, wenn...:
- A. Das Netzkabel oder der Netzstecker beschädigt sind.
 - B. Gegenstände oder Flüssigkeiten in das Gerät gelangt sind.
 - C. Wenn das Gerät Regen oder Wasser ausgesetzt wurde.
 - D. Das Gerät nicht normal funktioniert oder einen starken Leistungsabfall zeigt.
 - E. Das Gerät ist heruntergefallen oder das Gehäuse beschädigt.

Tasten und Anschlüsse

(Front)

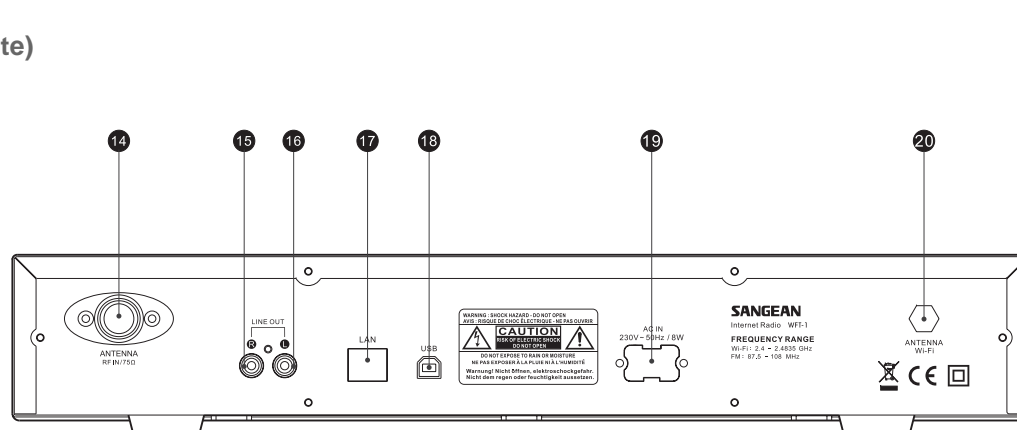


1. EIN/AUS-Taste
2. TIMER-Taste
3. Lautstärkeregelung
4. Frequenzbandtaste (BAND)
5. LC-Display
6. INFO-Taste
7. EQ-Taste

8. ZURÜCK-Taste (BACK)
9. STOP-Taste
10. VOR-Taste (FORWARD)
11. Wählerad (TUNING)
12. Infrarotsensor
13. Kopfhörerbuchse

Tasten und Anschlüsse

(Rückseite)

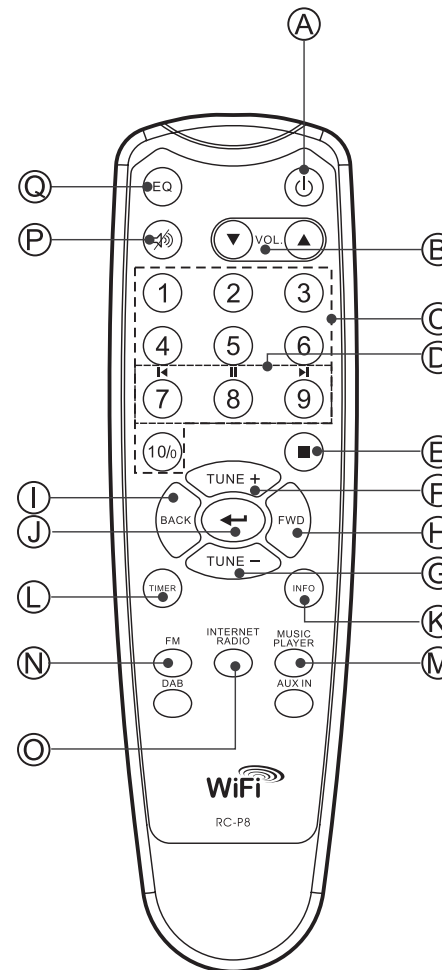


- 14. UKW-Antenne
- 15. LINE OUT-Buchse (rechts)
- 16. LINE OUT-Buchse (links)
- 17. LAN-Anschluss (Ethernet)

- 18. USB-Anschluss
- 19. Stromkabelanschluss
- 20. WLAN-Antenne

Fernbedienung

- A. Ein/Aus-Taste
- B. Lautstärkeregelung
- C. Senderspeicher 1-6, 10
- D. Senderspeicher 7-9, auch für zurück, Pause, vor
- E. Stop
- F. Frequenz erhöhen (TUNE UP)
- G. Frequenz reduzieren (TUNE DOWN)
- H. Vorspulen
- I. Zurückspulen
- J. Eingabe
- K. Info
- L. Timer
- M. Musikspieler
- N. UKW (FM)
- O. Internetradio
- P. Stummschaltung (Mute)
- Q. Equalizer



Inbetriebnahme

Bevor Sie Ihr Internet-Radio benutzen können, brauchen Sie Folgendes:

- Eine Breitband-Internetverbindung
- Einen WLAN-Zugangspunkt (WiFi) oder eine Ethernet-Verbindung (10 oder 100 Mbit/Sek. mit RJ45-Anschluss), die an Ihren Internetanschluss angebunden ist, z. B. über einen Router. In vielen Fällen ist dies ein WLAN-Zugangspunkt, Breitbandmodem oder ein Router, die von Ihrem Internet-Provider zur Verfügung gestellt werden oder in einem Computerladen erworben werden können.
- Wenn Ihr WLAN-Zugangspunkt durch WEP (Wired Equivalent Privacy) oder WPA (Wi-Fi Protected Access) gesichert ist, benötigen Sie den entsprechenden Zugangscode, um mit dem Internet-Radio auf das Internet zuzugreifen.

WICHTIG:

Bevor Sie weiterlesen, vergewissern Sie sich bitte, dass Ihr WLAN-Zugangspunkt bzw. Router angeschaltet und mit dem Internet über eine Breitbandverbindung verbunden ist (benutzen Sie einfach Ihren Computer, um dies festzustellen). Lesen Sie dazu bitte die Anleitung des von Ihnen benutzten WLAN-Zugangspunkts oder Routers.

Spracheinstellungen (Language Setup)

(Im Menü unter Main menu>System setup>Language.)

1. In den Spracheinstellungen können Sie die Sprache der Benutzerführung festlegen.
2. Drücken Sie gegebenenfalls so lange die Zurück-Taste, bis „Main menu“ auf dem Bildschirm erscheint.
3. Das Wählrad drehen und drücken, um das Hauptmenü (Main Menu) zu öffnen. Genauso ins Untermenü „System setup“ und schließlich „Language“ gehen.
4. Das Wählrad drehen und drücken, um die Sprache der Benutzerführung zu wählen.

119

Verbindung mit einem LAN-Netzwerk

(Im Menü unter System setup>Internet setup>Wizard>Wired)

1. Falls Sie ein verkabeltes Netzwerk verwenden möchten, schließen Sie das Ethernet-Kabel an die LAN-Schnittstelle (RJ-45) auf der Rückseite des Radios an.
2. Das Radio mit der Ein/Aus-Taste einschalten.
3. Das Wählrad drehen, bis „System setup“ auf dem Bildschirm erscheint, und drücken.
4. Das Wählrad nochmal drücken, um die Internet-Einstellungen aufzurufen.
5. Das Wählrad abermals drücken, um den Assistenten (Wizard) zu starten. Auf dem Bildschirm erscheint die Meldung „Network wizard scanning“ (Assistent sucht nach Netzwerken). Danach werden alle verfügbaren Internetverbindungen angezeigt.
6. Das Wählrad drehen, bis „Wired“ angezeigt wird. Dann drücken. Auf dem Display erscheint die Meldung „Please wait connecting“ (Bitte warten, bis die Verbindung hergestellt wird) und dann „connected“ (verbunden). Zweimal die Zurück-Taste drücken, um ins Hauptmenü zu gelangen.

Falls Sie Schwierigkeiten mit Ihrer LAN-Verbindung haben, können Ihnen die Kontrolllampen neben der Schnittstelle möglicherweise dabei helfen, die Ursache zu finden:

- Grüne Lampe an = Verbindung hergestellt.
- Lampe blinkt = Daten werden übertragen.
- Gelbe Lampe an = Verbindung mit 100Mbps.
- Lampe aus = Verbindung mit 10Mbps.

Verbindung mit einem WLAN-Netzwerk

(Im Menü unter System setup>Internet setup>Wizard>...)

1. Wenn sich ein WLAN-Zugangspunkt in der Nähe befindet, schalten Sie das Radio mit der Ein/Aus-Taste ein.
2. Das Wählrad drehen, bis „System setup“ auf dem Bildschirm erscheint, dann drücken.
3. Das Wählrad nochmal drücken, um „Internet setup“ zu öffnen.
4. Das Wählrad abermals drücken, um den Assistenten (Wizard) zu starten. Es werden alle verfügbaren Internetverbindungen angezeigt.
5. Das Wählrad drehen, bis die gewünschte drahtlose Internetverbindung angezeigt wird, und drücken.
6. Falls die Verbindung einen Zugangscode erfordert, erscheint „key“ auf dem Display. Den Code durch Drehen und Drücken des Wählrads eingeben.
Mit dem Symbol < können Sie eingegebene Zeichen löschen.
Das Symbol ← steht für Eingabe.
Das Symbol C steht für Cancel (Abbrechen).
7. Wenn die WLAN-Verbindung hergestellt wurde, drücken Sie zweimal die Zurück-Taste, um ins Hauptmenü zurückzugelangen.

Bei hergestellter Verbindung

Wahl des Modus („band selection“, im Hauptmenü)

Es stehen 3 Modi zur Verfügung.

1. Internetradio
2. Musikspieler (Music Player)
3. UKW (FM)

Es gibt 3 Methoden, um zwischen diesen Modi umzuschalten.

- a. Die Frequenzbandtaste (BAND) auf dem Gerät drücken oder
- b. mit dem Wählrad über das Hauptmenü gehen oder
- c. die Tasten iRadio (Internetradio), FM (UKW), Mplayer (Musikspieler) oder DAB auf der Fernbedienung drücken.

Internetradio hören

(Im Menü unter Main Menu>Internet Radio.)

1. Das Radio mit der Ein/Aus-Taste einschalten.
2. Wenn „Internet radio“ angezeigt wird, das Wählrad drücken.
Das Radio spielt nun den zuletzt eingestellten Radiosender ab.
Falls Sie einen anderen Sender wählen möchten, folgen Sie bitte den nachfolgenden Anweisungen. (Falls Sie sich nicht im Hauptmenü befinden, zunächst so oft ZURÜCK drücken, bis „Main menu“ erscheint, dann das Wählrad drücken.)
3. Das Wählrad drehen, bis „Station“ angezeigt wird, dann drücken.
4. Auf dem Display werden nun die 5 Methoden angezeigt, mit denen Sie nach Internetradiosendern suchen können:
* Mit der ZURÜCK-Taste können Sie zum übergeordneten Menü zurückkehren.

Nach Ort (By Location) -

Ermöglicht Ihnen die Auswahl eines Senders erst nach geographischer Region und dann nach Land.

- a. Das Wählrad drücken, wenn „Location“ angezeigt wird.
Das Display zeigt nun die Kontinente an.
- b. Das Wählrad drehen, bis der gewünschte Kontinent angezeigt wird.
Zur Auswahl des Kontinents drücken. Dann auf dieselbe Weise ein Land wählen.
- c. Genauso können Sie auch eine Musikart wählen.
- d. Mit dem Wählrad einen Radiosender wählen und abspielen.

Nach Genre (By Genre) -

Ermöglicht die Auswahl eines Radiosenders nach Inhalt, z.B. Klassik, Rock, Sport, Nachrichten usw.

- a. Das Wählrad drehen, bis „Genre“ angezeigt wird, und drücken.
- b. Das Wählrad drehen, um durch die Liste der Genres zu blättern.
Zur Auswahl eines Genres drücken.
- c. Wählen Sie auf dieselbe Weise ein Land.
- d. Genauso einen Radiosender wählen und abspielen.

Nach Stichwort (search station)

- a. Das Wählrad drehen, bis „Search station“ angezeigt wird, und drücken.
- b. Wenn Sie das Wählrad drehen, erscheinen Zahlen und Buchstaben auf dem Bildschirm.
- c. Geben Sie das Stichwort ein, nach dem Sie suchen möchten, indem Sie das Wählrad drehen und mit der VOR- oder ZURÜCK-Taste einen Buchstaben oder eine Zahl wählen.
Durch Drücken des Wählrads geben Sie die Zahl bzw. den Buchstaben ein. Bei der Eingabe des Stichworts haben die folgenden Symbole eine besondere Bedeutung:
< = löschen
← = Eingabe
C = Cancel (abbrechen)
- d. Nachdem Sie das Stichwort eingegeben haben, lassen Sie das Eingabesymbol ← blinken und drücken dann das Wählrad.
Die gefundenen Radiosender werden angezeigt.
- e. Das Wählrad drehen, um einen Radiosender auszuwählen.
Zum Abspielen drücken.

Nach größter Hörerzahl (Popular station)

- a. Das Wählrad drehen, bis „Popular station“ angezeigt wird, und drücken.
- b. Auf dem Display werden die meistgehörten Radiosender angezeigt.
Das Wählrad drehen, um einen Radiosender auszuwählen.
Zum Abspielen drücken.

Nach neuestem Sender (New Station)

- a. Das Wählrad drehen, bis „NEW station“ angezeigt wird, und drücken.
- b. Auf dem Display werden die neuesten verfügbaren Radiosender angezeigt. Das Wählrad drehen, um einen Radiosender auszuwählen.
Zum Abspielen drücken.

Podcast

(Im Menü unter Main menu>Internet radio>Podcast.)

Erlaubt das Auffinden und Abspielen eines Podcast - wiederum kann nach Ort, nach Genre oder alphabetisch gesucht werden.

1. Das Wählrad drehen und drücken, um in das Untermenü
Main menu → Internet radio → Podcast zu gelangen.
2. Im Untermenü „Podcast“ werden 3 Methoden zur Suche nach
Podcasts zur Wahl gestellt - nach Ort, nach Genre und alphabetisch.
3. Zur alphabetischen Suche geben Sie ein Stichwort ein und wählen
dann Eingabe ←, indem Sie das Wählrad drehen und drücken.
Mit C können Sie die alphabetische Suche abbrechen.

Lieblingssender und selbst hinzugefügte Sender (My favorite und My added stations)

Mit den Funktionen „My favorite stations“ und „My added stations“ können Sie Internetradiosender auf Frontiers Website hinzufügen und diese Sender dann mit Ihrem Radio anhören.

Bevor Sie diese beiden Funktionen zum ersten Mal benutzen, registrieren sie sich bitte wie folgt auf der Webseite:

1. Mit dem Wählrad das Untermenü Main menu>internet radio>help>get access code aufrufen. Das Display zeigt nun den Zugangscode (Access code) an.
2. Besuchen Sie die Website mit Ihrem Computer unter <http://wifiradio-frontier.com/> und klicken dann auf "register here" (hier registrieren). Füllen Sie unter Verwendung des auf dem Display angezeigten Zugangscodes das Formular aus. Das Feld "WiFi radio mode" können Sie frei lassen.
3. Nach der Registrierung zeigt die Webseite „My favorite“ und „My added stations“ an. Wenn Sie später diese Funktionen nutzen möchten, brauchen Sie nur die Webseite aufzurufen und Email-Adresse und Kennwort einzugeben.



A. Lieblingssender (My favorite stations)

1. Nachdem Sie sich auf der Website eingeloggt haben, suchen Sie mit „Browse“ oder „Search for Stations“ einen Sender und klicken dann auf das „Add“-Symbol. Der Radiosender wird nun zum Verzeichnis „My favorite stations“ hinzugefügt.
2. Durch Drücken und Drehen des Wählrads das Untermenü Main menu>Internet Radio>My favorites öffnen. Das Display des Radios zeigt die Radiosender an, welche Sie über den Computer dem Verzeichnis „My favorite stations“ hinzugefügt haben.
3. Durch Drehen und Drücken des Wählrads können Sie den gewünschten Radiosender abspielen.

B. Selbst hinzugefügte Radiosender (My added stations)

Diese Funktion erlaubt es Ihnen, Radiosender selbst hinzuzufügen, deren Internetadresse Ihnen bekannt ist.

1. Nachdem Sie sich mit dem Computer auf der Website eingeloggt haben, klicken Sie auf den Pfeil unterhalb von „My added stations“. Das folgende Formular erscheint:
2. Füllen Sie das Formular aus und beachten Sie dabei, dass die URL (Internetadresse) des Radiosenders dem auf der Website angegebenen Format entspricht.
3. Das Wählrad drehen und drücken, um in das Untermenü Main menu>Internet radio>My added stations zu gelangen. Die von Ihnen hinzugefügten Radiosender erscheinen nun auf dem Display.
4. Durch Drehen und Drücken des Wählrads können Sie den gewünschten Radiosender abspielen.





UKW-Radio hören

(Im Menü unter Main menu>FM.)

1. Das Radio mit der Ein/Aus-Taste einschalten.
2. FM auf der Fernbedienung drücken. Dann zu Schritt 5 oder ins Hauptmenü gehen. (Falls Sie sich nicht im Hauptmenü befinden, zunächst ZURÜCK drücken, bis „Main menu“ erscheint, und dann das Wählrad drücken.)
3. Ins Hauptmenü gehen. (Falls Sie sich nicht im Hauptmenü befinden, zunächst ZURÜCK drücken, bis „Main menu“ erscheint, und dann das Wählrad drücken.)
4. Das Wählrad drehen, bis „FM“ angezeigt wird, und drücken.
5. Mit dem Wählrad einen Radiosender wählen und abspielen.

Bedienung der Uhr

Einstellung der Uhrzeit

(Im Menü unter Main menu>System setup>Set clock.)

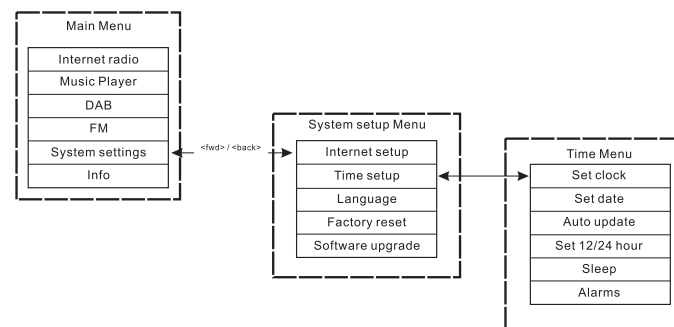
1. Ins Hauptmenü gehen (gegebenenfalls ZURÜCK drücken).
Das Wählrad drehen, bis „Main menu“ angezeigt wird, und drücken.
2. Genauso öffnen Sie auch das Untermenü „System Setup“.
3. Dort rufen Sie auf dieselbe Weise das Untermenü „Time Setup“ auf.
4. Schließlich öffnen Sie ebenso das Untermenü „Set Clock“.
5. Das Wählrad drehen, um die Stunden einzustellen.
6. Drücken und wieder drehen, um die Minuten einzustellen.
7. Drücken Sie wieder das Wählrad, um die Einstellung der Uhrzeit abzuschließen.

Einstellung des Datums

(Im Menü unter Main menu>System setup>Time setup>Set date)

8. Das Wählrad drehen, bis „Set date“ angezeigt wird.
9. Das Wählrad drehen, um den Monat einzustellen. Dann drücken.
10. Wieder das Wählrad drehen, um den Tag einzustellen.
Dann drücken.
11. Wieder das Wählrad drehen, um das Jahr einzustellen.
Dann drücken. Das Datum ist nun eingestellt.

* Sie können jederzeit zum übergeordneten Menü zurückkehren, indem Sie die ZURÜCK-Taste drücken.



**Automatische Aktualisierung (Auto update) -
nur für DAB-Ausführungen**

Im „Auto update“-Menü können Sie festlegen, ob die Zeit automatisch mit der Uhr des DAB-Senders synchronisiert werden soll. Falls Sie „No update“ wählen, bleibt die Einstellung der Uhrzeit Ihnen überlassen.

**12- oder 24-Stunden-Anzeigeformat wählen
(Im Menü unter Main menu>System setup>Time setup>
Set 12/24 hour)**

In diesem Menü kann das Anzeigeformat der Uhr entweder auf 12 Stunden oder 24 Stunden eingestellt werden.

1. Nicht anders als bei der Einstellung von Uhrzeit und Datum drehen und drücken Sie das Wählrad, um ins Untermenü Main menu → System settings → Time setup → Set 12/24hour zu gelangen.
2. Wählen Sie mit dem Wählrad entweder „Select Set 12hour“ (12-stündiges Anzeigeformat) oder „Select Set 24 hour“ (24-stündiges Anzeigeformat).

**Einschlaffunktion (Sleep Timer)
(Im Menü unter Main menu>System setup>Time setup>Sleep)**

Ihr Radio kann sich nach Ablauf einer vorgegebenen Zeit automatisch abschalten.

Die Zeitdauer kann auf 15, 30, 45 oder 60 Minuten eingestellt werden.

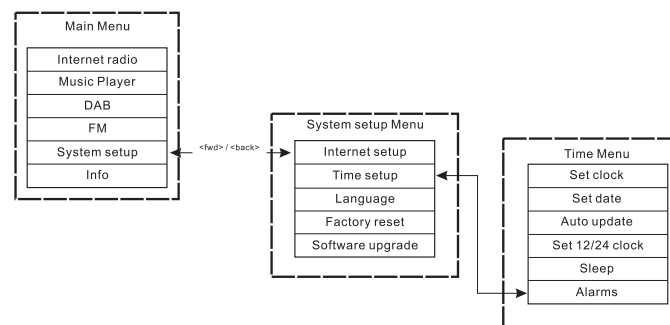
1. Drücken Sie dazu die TIMER-Taste auf der Frontkonsole und gehen Sie zu #4 oder ins Hauptmenü. (Gegebenenfalls ZURÜCK drücken, um ins Hauptmenü zu gelangen.) Das Wählrad drehen, bis „Main menu“ angezeigt wird, und drücken.
 2. Das Wählrad drehen, bis „System setup“ angezeigt wird, und drücken.
 3. Das Wählrad drehen, bis „Time Setup“ angezeigt wird, und drücken.
 4. Das Wählrad drehen, bis „Sleep“ angezeigt wird, und drücken.
 5. Das Wählrad drehen, um die Einschlaffunktion auf 15, 30, 45 oder 60 Minuten einzustellen oder zu deaktivieren (OFF). Zum Aktivieren das Wählrad drücken.
- * Um die Einschlaffunktion zu deaktivieren, wählen Sie im selben Menü einfach OFF.

Den Wecker stellen

(Im Menü unter Main menu>System setup>Time setup>Alarm)

Um den Wecker benutzen zu können, müssen Sie zunächst Uhrzeit und Datum einstellen.

1. Das „Alarm“-Menü können Sie auf zweierlei Weise aufrufen:
 - I. Die TIMER-Taste am Gerät oder auf der Fernbedienung drücken.
Dann das Wählrad drehen, bis „Alarm 1“ und „Alarm 2“ (Weckzeit 1 bzw. 2) erscheinen.
 - II. Alternativ können Sie dieses Menü über das „Time Setup“-Menü öffnen (Main menu>System setup>Time setup>Alarm).
 - a. Dazu ZURÜCK drücken, bis „Main Menü“ angezeigt wird.
Dann das Wählrad drücken.
 - b. Das Wählrad drehen, bis „System setup“ angezeigt wird, und drücken.
 - c. Das Wählrad drehen, bis „Time Setup“ angezeigt wird, und drücken.
 - d. Das Wählrad drehen, bis „Alarm“ angezeigt wird, und drücken.
2. Im „Alarm“-Menü zeigt das Display „Alarm 1“ und „Alarm 2“ an.
Dabei handelt es sich um zwei Weckzeiten, die Sie einstellen können. Mit dem Wählrad entweder „Alarm 1“ oder „Alarm 2“ wählen und drücken.
3. Die Weckzeit einstellen
 - a. Wenn „TIME“ angezeigt wird, das Wählrad drücken. Dann drehen, um die Stunden einzustellen.
 - b. Drücken und wieder das Wählrad drehen, um die Minuten einzustellen. Abermals drücken.



4. Den Wecker aktivieren
 - a. Das Wählrad drehen, bis „OFF“ angezeigt wird.
 - b. Drücken, um die Anzeige auf „ON“ umzuschalten.
5. Den Weckmodus einstellen (Summton, Internetradio, FM (UKW), zuletzt aufgelistet oder Senderspeicher).
 - a. Das Wählrad drehen, bis „Mode“ angezeigt wird, und drücken. Dann das Wählrad drehen, um „Buzzer“ (Summton), „Internet radio“ oder FM (UKW) zu wählen, und drücken. Sie können ebenfalls:
 - b. Das Wählrad drehen, bis „Last listed“ (zuletzt aufgelistet) angezeigt wird, und drücken. Entweder „Last Listed“ oder „Preset“ (gespeicherter Sender – falls vorhanden) wählen. Dann das Wählrad drücken.
6. Die Lautstärke des Weckers einstellen:
 - a. Das Wählrad drehen, bis „Volume“ angezeigt wird, und drücken.
 - b. Zur Einstellung der Lautstärke das Wählrad drehen. Dann drücken.
7. Die Weckeinstellungen speichern: Die Einstellungen treten nur in Kraft, wenn Sie im Menü „Save“ wählen. Falls Sie nicht mit „Save“ speichern, gehen Ihre Einstellungen verloren. Das Wählrad drehen, bis „Save“ angezeigt wird, und drücken. Die Weckzeit ist nun eingestellt und der Wecker aktiviert.

Den Wecker deaktivieren

1. Mit dem Wählrad ins Untermenü Main menu>System setup>Time setup>Alarm gehen.
2. Das Wählrad drehen, um die zu deaktivierende Weckzeit zu wählen, und drücken.
3. Das Wählrad drehen, bis „ON“ angezeigt wird, und drücken.
4. Die Anzeige schaltet auf „OFF“ um.
5. Das Wählrad drehen, bis „Save“ angezeigt wird, und drücken. Die jeweilige Weckzeit ist nun deaktiviert.

Senderspeicher

Für die folgenden Modi können Sender gespeichert werden:

- Internetradio
- DAB
- UKW (FM)

Drücken Sie eine der Zifferntasten der Fernbedienung kurz, um einen gespeicherten Sender aufzurufen. Drücken Sie sie lange, um einen Sender zu speichern.

Das folgende Beispiel bezieht sich auf DAB:



Falls ein Speicherplatz augenblicklich nicht belegt ist, erscheint ein neuer Bildschirm („splash screen“) mit dem Hinweis „Preset empty“ (Speicherplatz frei) in der Fußzeile:



Im Fall von DAB, UKW und Internetradio werden auf dem Speicherplatz die Informationen des speziellen Diensteanbieters abgelegt. Das ist für den Musikspieler nicht möglich, der folglich auch über keine Speicherplätze verfügt.

Musikspieler (Music Player)

(Wiedergabe von auf dem Computer gespeicherter Musik)

Der Media Player erlaubt die Wiedergabe von Audiodateien, die auf einem Computer Ihres Netzwerks gespeichert sind.

Ihr Radiogerät kann auf zweierlei Weise auf Dateien zugreifen. Es kann erstens auf freigegebene Ordner (Shared Folders) im Netzwerk zugreifen. Und zweitens kann es sich mittels des Universal Plug and Play(UpnP)-Protokolls mit Serverprogrammen verbinden.

Alle unterstützten Dateiformate können über die Dateifreigabe abgespielt werden.

Wenn Sie einen UPnP-Server nutzen, hängen die abspielbaren Dateiformate von der auf dem Server eingesetzten Software ab.

Microsoft Windows Media Player 11 kann beispielsweise MP3-, WMA- und WAV-Dateien abspielen. Um die anderen unterstützten Dateiformate über UPnP abzuspielen, müssen Sie unter Umständen zusätzliche Software von Drittanbietern installieren.

Wenn Sie die Dateifreigabe unter Windows benutzen, wird die Musik nach Künstler, Album und optional Titel innerhalb eines Albums sortiert.

Wenn Sie einen UPnP-Server benutzen, hängen die Such- und Auswahlkriterien vom Server ab, beinhalten aber typischerweise zusätzliche Optionen wie etwa Genre. Viele Serveranwendungen erlauben es Ihnen auch, auf Dateien über die Verzeichnisse, in denen sie abgelegt sind, zuzugreifen.

Dateien freigeben

Computer:

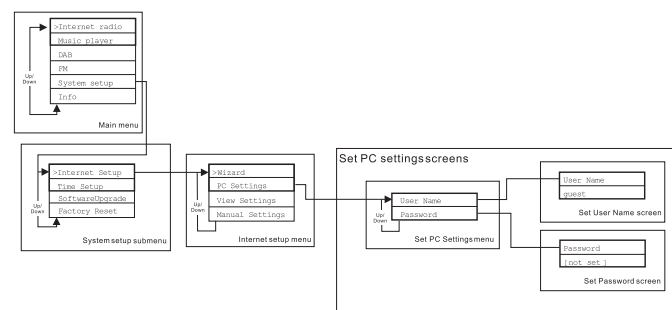
Ein Verzeichnis freigeben

Ihren Windows-PC so einstellen, dass das Radio auf freigegebene Audiodateien zugreifen kann.

1. Vergewissern Sie sich, dass Ihr PC im Netzwerk des Radios angemeldet ist. Öffnen Sie mit dem Windows Explorer das Verzeichnis, in dem Ihre Audiodateien gespeichert sind.
2. Klicken Sie mit der rechten Maustaste auf das Verzeichnis.
3. „Eigenschaften“ (Properties) wählen.
4. Auf „Freigabe“ (Sharing) klicken.
5. „Diesen Ordner im Netzwerk freigeben“ und „Netzwerkbenutzer dürfen Dateien verändern“ wählen.

WLAN-Radio

Falls die freigegebenen Ordner auf dem PC kennwortgeschützt sind, müssen Sie Benutzername und Kennwort des PCs dem Radio zur Verfügung stellen. Das entsprechende Untermenü rufen Sie wie in der Abbildung zu sehen auf:



Die Dateien freigegebener Ordner über das Radio finden

1. Das Radio einschalten. ZURÜCK-Taste drücken und mit dem Wählrad das Hauptmenü aufrufen. Dort auf den freigegebenen Ordner (shared folder) zugreifen.
2. Alle Computer des Netzwerks werden aufgelistet. Das Wählrad drehen und drücken, um einen Computer zu wählen. Falls der Computer kennwortgeschützt ist, verlangt das Radio u.U. die Eingabe von Benutzername und Kennwort.
3. Das Radio zeigt nun alle freigegebenen Ordner an. Durch Drehen und Drücken des Wählrads können Sie Ordner und Musik nach Wunsch auswählen.
4. Während der Musikwiedergabe können Sie mit den VOR- und ZURÜCK-Tasten zum nächsten bzw. vorherigen Titel springen und mit STOP beenden.
5. Wählrad drehen und ZURÜCK drücken, um ins übergeordnete Menü zurückzukehren.

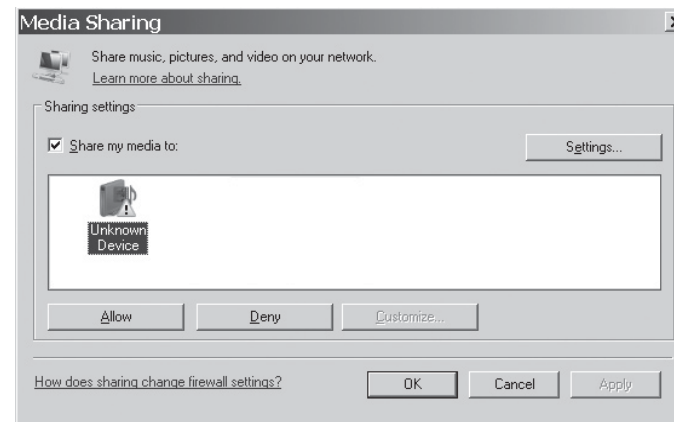
Einrichtung eines UPnP-Media-Servers

Windows Media Player 11 und höher kann als UPnP-Server agieren. Für diesen Modus müssen keine Einstellungen am Radio vorgenommen werden. Es muss allerdings der PC so konfiguriert werden, dass er dem Radio den Zugriff auf Medien erlaubt. Die folgenden Schritte müssen Sie nur einmal durchführen.

1. Falls Ihr PC unter Microsoft Windows XP oder Windows Vista läuft, können Sie Microsofts Windows Media Player 11 als Ihren UPnP-Media-Server einsetzen. Falls noch nicht auf Ihrem PC installiert, können Sie den Windows Media Player 11 von Microsofts Website herunterladen oder die Windows-Aktualisierungsfunktion nutzen.
2. Der Windows Media Player 11 kann eine Bibliothek aller auf Ihrem PC verfügbaren Mediendateien erstellen. Um neue Dateien zur Bibliothek hinzuzufügen, wählen Sie „Datei> Zur Bibliothek hinzufügen>Erweiterte Optionen“. Klicken Sie auf „Add“ und wählen die gewünschten Dateien, dann auf OK.

Das Internetradio wird als „Unbekanntes Gerät“ dargestellt. Stellen Sie sicher, dass das Gerät Zugriff auf freigegebene Dateien hat, indem Sie es auswählen und dann auf <Zulassen> klicken. Schließlich OK klicken.

Der PC ist nun bereit, Ihrem Radio Musik zum Abspielen zu übermitteln.



Audiodateien des UPnP-Servers über das Radio finden

Nachdem Sie den UPnP-Server für die Freigabe von Mediendateien konfiguriert haben, können Sie die Dateien, die Sie abspielen möchten, folgendermaßen auswählen:

1. Das Radio einschalten. ZURÜCK und Wählrad drücken, um ins Hauptmenü zu gelangen. Dort „Shared Media“ öffnen.
2. Alle Computer des Netzwerks werden aufgelistet. Das Wählrad drehen und drücken, um einen Computer zu wählen. Falls der Computer kennwortgeschützt ist, verlangt das Radio u.U. die Eingabe von Benutzername und Kennwort.
3. Das Radio listet nun alle Medienkategorien auf, die auf dem UPnP-Server verfügbar sind, beispielsweise „Musik“ und „Wiedergabelisten“.
4. Das Wählrad drehen und drücken, um die gewünschten Mediendateien auszuwählen.
5. Während der Musikwiedergabe können Sie mit den VOR- und ZURÜCK-Tasten zum nächsten bzw. vorherigen Titel springen und mit STOP beenden.
6. Wählrad drehen und ZURÜCK drücken, um ins übergeordnete Menü zurückzukehren.

Hinweis:

Beim Einsatz eines UPnP-Servers hängen die dem Radio bereitgestellten Suchkriterien und Dateitypen von der UPnP-Media-Server-Software ab, die auf Ihrem PC installiert ist.

Auswahl von Medien

Unabhängig davon, ob Sie Ordner über Windows freigeben oder einen UPnP-Server nutzen, können Sie Mediendateien auf dieselbe Weise auswählen. Der Unterschied zwischen den beiden Methoden besteht lediglich darin, dass im Falle der Verwendung eines UPnP-Servers im Allgemeinen mehr Suchkriterien zur Verfügung stehen, welche von der UPnP-Serversoftware bestimmt werden. Manche solche Serverprogramme erlauben die Anpassung von Suchkriterien und Indexierungsmethoden, was sich als nützlich erweisen kann, falls Sie über eine sehr umfassende Sammlung von Musikdateien verfügen. Der Auswahlmechanismus erlaubt Ihnen zunächst, den Informationstyp (Album, Künstler, etc.) festzulegen und dann die Suche einzuengen, entweder nur auf ein Album oder auf einen konkreten Titel innerhalb eines Albums. Das ausgewählte Album bzw. der ausgewählte Titel wird dann der Wiedergabeliste hinzugefügt. Sie können während der Musikwiedergabe weitere Titel oder Alben der Wiedergabeliste hinzufügen, und Sie können zwischen den Titeln der Wiedergabeliste springen. Sie können die Wiedergabeliste auch löschen, falls Sie eine neue Auswahl treffen möchten. Die hierin beschriebenen Suchweisen sind nur Beispiele.

Softwareaktualisierung über Internet

Sie können die Software des Radios auf zweierlei Weise aktualisieren.

Aktualisierung über Internet

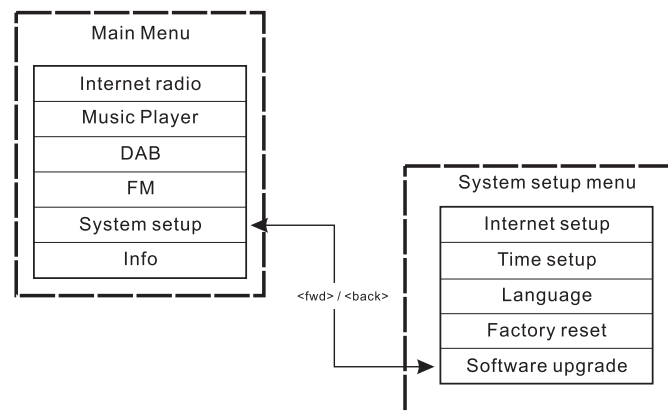
Die Hauptmethode – die einzige über das Radiomenü verfügbare – ist die Aktualisierung über das Internet. Zum Zugriff auf diese Funktion:

1. Das Wählrad drehen und drücken, um in das Untermenü „Software upgrade“ zu gelangen. Sie finden es unter:
Main Menu → System Setup → Software upgrade.

Falls eine neuere Version verfügbar ist, werden Sie zur Bestätigung der Aktualisierung aufgefordert. Sobald die Aktualisierung gestartet wurde, erscheint ein Fortschrittsbalken auf dem Bildschirm, und ein Warnhinweis erscheint in regelmäßigen Abständen, um Sie daran zu erinnern, nicht die Stromversorgung zu unterbrechen. Dies ist sehr wichtig, um das Radio betriebsfähig zu halten. Falls die Stromversorgung des Radios während der Aktualisierung unterbrochen wird, startet es u.U automatisch im USB-Aktualisierungsmodus. Wenn der Vorgang abgeschlossen wurde, wird dem Benutzer das Ergebnis mitgeteilt - „upgrade successful“, also Aktualisierung erfolgreich, oder „failed“, also fehlgeschlagen. Falls die Aktualisierung erfolgreich war, bewirkt Drücken von <SELECT>, dass das Radio mit der neuen Software neu startet.

Hinweis:

Bei der Softwareaktualisierung werden alle Benutzereinstellungen beibehalten.



Aktualisierung über USB

Diese Aktualisierungsmethode empfiehlt sich, falls keine Internetverbindung zur Verfügung steht oder falls die Stromversorgung während der Aktualisierung unterbrochen wurde und das Radio, weil es nicht mehr aufs Internet zugreifen kann, mit einer Aktualisierungsdatei (upgrade.exe) über die USB-Schnittstelle aktualisiert werden muss. Sie benötigen dazu ein Kabel, um das Gerät an einen PC anzuschließen. Nicht alle Auslieferungen sind mit geeigneten upgrade.exe-Dateien ausgestattet.

Es ist wichtig darauf zu achten, dass das USB-Kabel nur während der tatsächlichen Aktualisierung angeschlossen ist und nach Abschluss des Vorgangs wieder entfernt wird.

1. Starten Sie das Programm upgrade.exe auf Ihrem PC.
2. Es wird Sie fragen, ob Sie den Softwareaktualisierungsassistenten auf dem WLAN-Radio ausführen möchten.
3. Falls das Radio noch nicht im Aktualisierungsmodus ist (und den Text "Waiting for PC wizard..." (Warte auf Assistenten des PCs) anzeigt), können Sie diesen aufrufen, indem Sie das Gerät ausschalten und dann während des Einschaltens die Tasten <skip backwd> und <skip fwd> gedrückt halten.
4. Die Aktualisierung startet dann automatisch und benötigt etwa 2 Minuten. Nach Abschluss startet das Radio automatisch neu und lädt die neue Software.

Werksrücksetzung

(Im Menü unter Main menu>System setup>Factory reset)

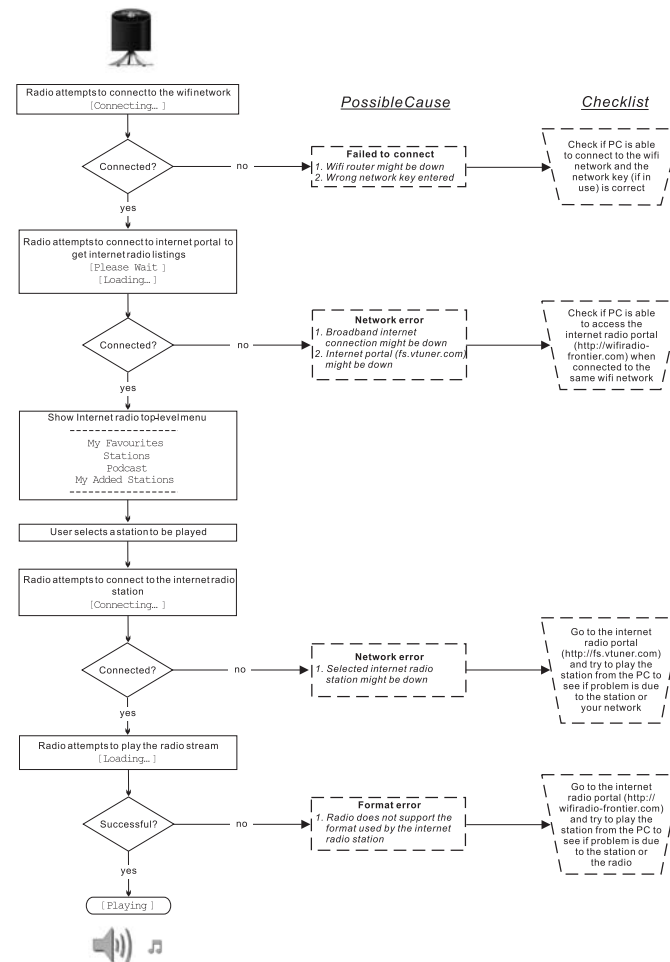
Falls Sie das Radio in seinen ursprünglichen Zustand zurückversetzen möchten, gehen Sie folgendermaßen vor:

1. Das Radio mit der Ein/Aus-Taste einschalten.
2. Das Wählrad drehen und drücken, um in das Untermenü „Factory reset“ zu gelangen. Sie finden es unter Main menu>System setup>Factory reset.
3. Drücken Sie in diesem Menü SELECT, um die Werksrücksetzung durchzuführen. Dann drücken. Auf dem Display erscheint für einige Sekunden die Meldung „Restarting“ (Neustart).
4. Wenn das Display die Nachricht „Welcome to Internet radio“ anzeigt, wurde die Werksrücksetzung abgeschlossen.

Radioinformation

Im Untermenü „info“ können Sie die Versionsnummer der Radiosoftware sowie die Identifikationsnummer des Geräts einsehen. Das Wählrad drehen und drücken, um in das Untermenü Main menu>Info zu gelangen. Auf dem Display werden „SW version“ (Versionsnummer der Software) und „Radio ID“ (Identifikationsnummer) angezeigt. Zum Einsehen der Informationen eines der beiden auswählen.

Fehlerdiagnose - Verbindung mit einem Internetradiosender



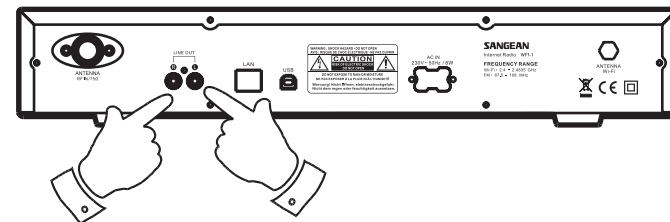
Kopfhörerausgang

Auf der Rückseite des Geräts steht ein 3,5-mm-Kopfhörerausgang zur Verfügung, mit dem Sie das Audiosignal über Kopfhörer ausgeben können. Wenn Sie die Kopfhörer an das Gerät anschließen, wird die Audioausgabe über die internen Lautsprecher automatisch ausgeschaltet.



Line-Out-Ausgang (3,5 mm)

Auf der Rückseite des Geräts steht ein 3,5-mm-Audioausgang zur Verfügung, mit dem Sie das Audiosignal an einen externen Verstärker senden können. Wenn ein Audiokabel in diesen Ausgang gesteckt wird, wird der Ton des internen Lautsprechers nicht ausgestellt. Stellen Sie die Lautstärke am Radio bei Bedarf auf das Minimum.



Technische Daten

Stromversorgung:

Wechselstrom 230V, 50Hz oder Wechselstrom 110V, 60Hz. 8 Watt.

Netzwerk:

Ethernet und WLAN (WiFi) mit 10/100Mbps/s via RJ-45 802.11b und 802.11g. Unterstützung von WEP- und WPA-Verschlüsselung und 2.4-2.4835GHz.



Sollten Sie irgendwann das Gerät nicht mehr benutzen, achten Sie bei der Entsorgung bitte auf folgendes: Altgeräte sollten nicht zusammen mit dem Hausmüll entsorgt werden. Geben Sie das Gerät zum Recycling, soweit das möglich ist. Wenden Sie sich bitte an Ihre lokalen Behörden oder Ihren Händler für mehr Informationen zur Entsorgung dieses Geräts. (Richtlinie über Elektro- und Elektronik-Altgeräte).

Free Manuals Download Website

<http://myh66.com>

<http://usermanuals.us>

<http://www.somanuals.com>

<http://www.4manuals.cc>

<http://www.manual-lib.com>

<http://www.404manual.com>

<http://www.luxmanual.com>

<http://aubethermostatmanual.com>

Golf course search by state

<http://golfingnear.com>

Email search by domain

<http://emailbydomain.com>

Auto manuals search

<http://auto.somanuals.com>

TV manuals search

<http://tv.somanuals.com>