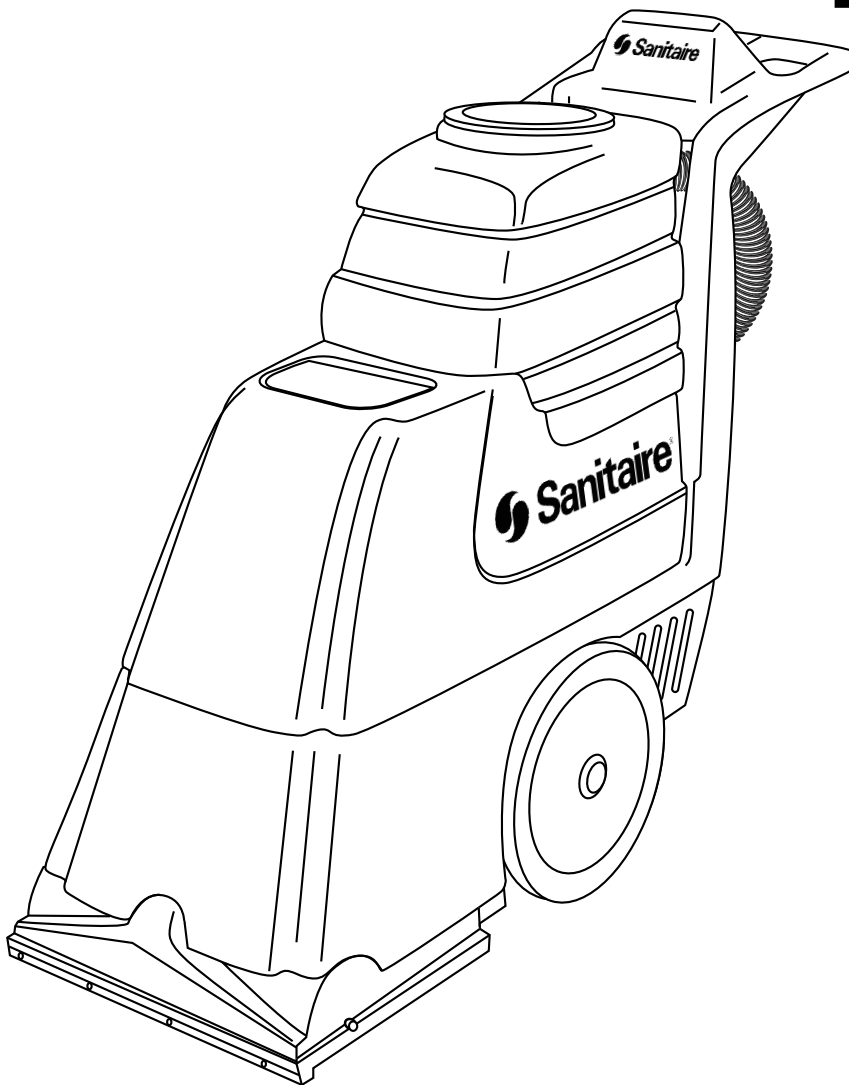




Sanitaire®

Commercial Carpet Extraction Cleaner Owner's Guide SC6090 Series



Index	
Important Safeguards.....	2
Service Information	3
Identify Parts	3
Use	4
Trouble Shooting	5
Warranty	5

www.sanitairevac.com

To view the **repair parts list**, go to www.sanitairevac.com or call 1-800-800-8975 for a copy.

For location of nearest **Sanitaire Warranty Station** or service information call 1-800-800-8975.

IMPORTANT SAFEGUARDS

When using an electrical appliance, basic precautions should always be followed, including the following:

READ ALL INSTRUCTIONS BEFORE USING THIS VACUUM CLEANER.

WARNING

To To reduce the risk of fire, electric shock, or injury.

- Do not immerse product. Use only on surfaces moistened by cleaning process.
- Do not use outdoors or expose to rain.
- Use only commercially available carpet and upholstery cleaners intended for machine application.
- **Do not leave the Extractor when plugged in.** Turn OFF the switch and unplug the electrical cord when not in use and before servicing.
- Do not allow to be used as a toy. Close attention is necessary when used by or near children.
- Use only as described in this manual. Use only manufacturer's recommended attachments.
- Do not use with damaged cord or plug. If the Extractor is not working properly, has been dropped, damaged, left outdoors, or dropped into water, return it to a service center immediately.
- Do not pull or carry by cord, use cord as a handle, close a door on cord, or pull cord around sharp edges or corners. Do not run the Carpet Shampooer/Extractor over cord. Keep cord away from heated surfaces.
- Connect to a properly grounded outlet only (refer to Grounding Instructions).
- Do not use extension cords or outlets with inadequate current carrying capacity.

- Turn off all controls before unplugging.
- Do not unplug by pulling on cord. To unplug, grasp the plug, not the cord.
- Do not handle plug or Extractor with wet hands.
- Do not put any object into openings. Do not use with any opening blocked; keep free of dust, lint, hair, and anything that may reduce airflow.
- This Extractor creates suction and also contains a moving agitator brush. Keep hair, loose clothing, fingers, and all parts of body away from openings and moving parts.
- Do not pick up anything that is burning or smoking, such as cigarettes, matches, or hot fireplace or barbecue ashes.
- Do not use without ball float and cage in place.
- Use extra care when cleaning on stairs.
- If the machine tips over during use, shut it off immediately, set it upright, and wait for the motor to stop completely. This allows the float to return to normal position and permits proper airflow through the cleaner.
- Do not use to pick up gasoline, acetone, perfumes, colognes, paint thinners and other flammable liquids or use in places where they may be present.
- Operate and store indoors in an area above 32°F where the machine will not freeze.
- Keep your work area well lighted.

SAVE THESE INSTRUCTIONS

Grounding Instructions

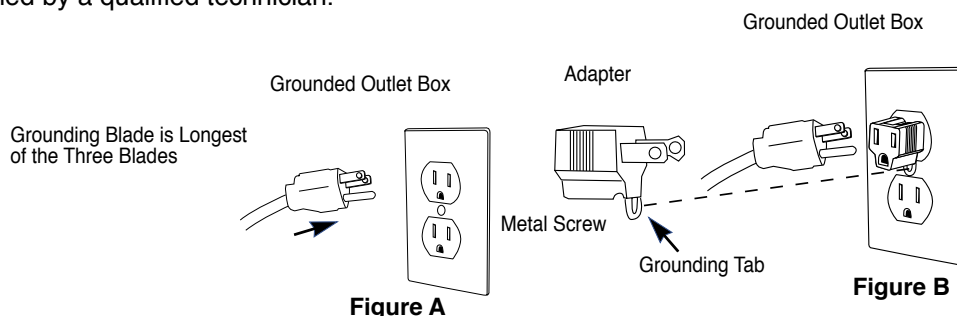
This appliance must be grounded. If it should malfunction or breakdown, grounding provides a path of least resistance for electric current to reduce the risk of electric shock. This appliance is equipped with a cord having an equipment-grounding conductor and grounding plug. The plug must be plugged into an appropriate outlet that is properly installed and grounded in accordance with all local codes and ordinances.

DANGER

Improper connection of an equipment-grounding conductor can result in risk of electric shock. Check with a qualified electrician or service person if you are in doubt as to whether the outlet is properly grounded. Do not modify the plug provided with the appliance. If it will not fit the outlet, have proper outlet installed by a qualified technician.

This appliance is for use on a nominal 120 volt circuit and has a grounding plug that looks like the plug illustrated in Figure A. A temporary adapter which looks like the adapter illustrated in Figure B may be used to connect this plug to a two-pole receptacle, as shown, if a properly grounded outlet is not available. The temporary adapter should be used only until a properly grounded outlet, Figure A, can be installed by a qualified electrician. The green colored rigid ear, lug, or the like extending from the adapter must be connected to a permanent ground such as a properly grounded outlet box cover. Whenever the adapter is used, it must be held in place by a metal screw.

NOTE: In Canada, the use of a temporary adapter is not permitted by the Canadian Electrical Code.



GENERAL INFORMATION

Automatic Suction Shut-Off

NOTE: Use the vacuum in the upright position. If the cleaner should tip, the automatic suction shut-off turns off the suction.

The automatic suction shut-off functions when the tank is full of liquid. As the tank fills, the ball float (inside the cage) rises until it seats itself against the motor inlet. This shuts off the suction causing the motor sound to become higher in pitch. When this happens, empty the tank.

The automatic suction shut-off also functions if the cleaner tips over. To continue use, turn cleaner off and set it upright. Wait a few seconds to allow motor to come to a complete stop so the ball drops. Restart the motor.

Use this vacuum for wet pickup only.

Service Information

The instructions in this booklet serve as a guide to routine maintenance. For additional service information, telephone our toll free number for the nearest Sanitaire Authorized Warranty Station. **You should know the model, type and serial numbers when you call:**

USA: 1-800-800-8975
Mexico: 5670-6169
Canada: 1-800-800-8975

If you prefer, you can write to Electrolux Home Care Products North America, Service Division, 807 North Main Street, Bloomington, Illinois 61701, USA. In Canada, write to Electrolux Home Care Products Canada, 866 Langs Drive, Cambridge, Ontario N3H 2N7. Refer to The Sanitaire Commercial Equipment Warranty for complete service information.



DO NOT OIL the motors at any time. Bearings have a seal and are permanently lubricated.

Rating Plate

The model, type and serial numbers are on the rating plate, located on the back of the unit. For prompt and complete service information, always refer to these numbers when inquiring about service.

MODEL	TYPE	SERIAL NO.
VOLTS	AMPS.	HERTZ
SERVICE INFORMATION: 1-800-800-8975		
BLOOMINGTON, ILLINOIS 61701		

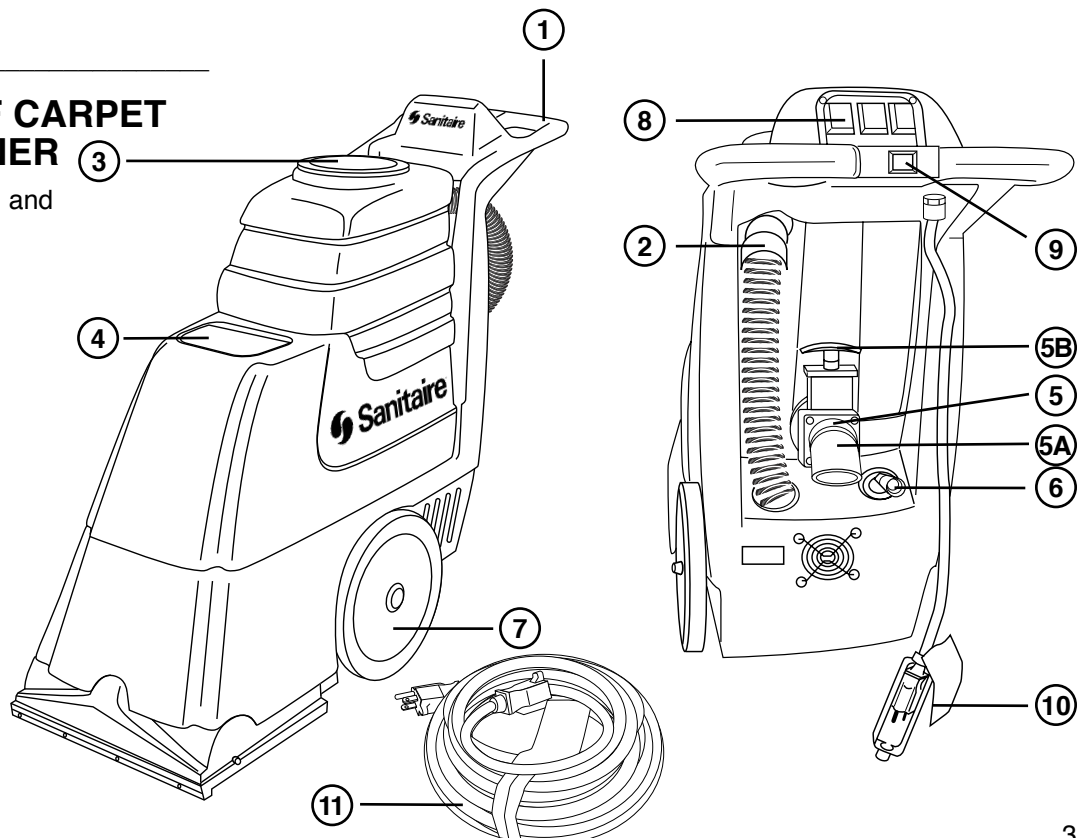
Model and Type: _____

Serial No. _____

IDENTIFY PARTS OF CARPET EXTRACTOR CLEANER

Unpack powercord from carton and remove Extractor.

1. Handle
2. Hose Inlet
3. Recovery Tank Lid
4. Solution Tank Lid
5. Drain Outlet
 - A. Drain Outlet Diverter
 - B. T-Handle
6. Solution Hose Connection (with optional wand)
7. Rear Wheels
8. On/Off Switches
 - A. Suction Motor
 - B. Pump Motor
 - C. Brush Roll Motor
9. Cleaning Solution Button
10. Power Cord
11. Extension Cord



HOW TO USE

ASSEMBLY

- You will find the drain outlet diverter, a black plastic 45-degree elbow inside the machine. Place this elbow on the drain valve on the rear of the unit. The elbow will direct the flow of recovered water downward.

Fill Solution Tank

CAUTION: Use only commercially available carpet and upholstery cleaners intended for machine applications.

Mix hot water and approved extractor detergent in a clean bucket. Avoid mixing the chemical and water in the solution tank as the chemical does not dissolve completely and will clog your solution tank filter. Clogging the filter will starve the pump of fluid and can shorten the life of the pump considerably. (Follow recommended mix ratio on extraction detergent label.)

NOTE: Do not overfill.

Connect Power Cord

CAUTION: To reduce the risk of electric shock, do not lay cord on any wet surfaces.

- Attach power cord to extension cord provided.
- Plug extension cord into outlet.

Power Switches

The power switch is on the handle.

- Wear ear protection (not provided) if operating the cleaner for a prolonged period of time.
- Turn all three switches on.
- You will hear and feel the brush rotating in the machine.

Prime Pump

- The 100-PSI pump MUST be primed. To achieve this, pour enough water into the solution tank to cover the intake filter with at least 3 inches of water. With the machine turned on and the pump switch in the ON position, press the GREEN button between the handles until the air in the line is emptied and the jets are spraying evenly. After priming the pump, fill the solution tank with your water/solution mix.

Begin Cleaning

- This unit cleans only while pulling backwards. To push, slightly tip the front of the unit off the surface of the carpet and roll forward. The brush roll should contact the carpet only on the backward stroke. To clean an area press the GREEN spray button and pull the machine backwards. Keep unit moving at a slow, steady pace. You can go over the area again without pressing the GREEN spray button to vacuum up additional solution from the carpet.
- You will notice the carpet you just cleaned will be damp. This is normal.

Tips:

For best results vacuum area to be cleaned before using the carpet cleaner. If used to clean up spills or messes, clean up as much of the spill or mess using paper towels before final cleaning with the cleaner. If used on fine fabrics or upholstery, test for color fastness in an inconspicuous place before cleaning. Do not leave unit running in one spot. Carpet damage could result.

Automatic Shut-Off

NOTE: Always use the wet vacuum cleaner in the upright position. If cleaner tips over, the suction automatically shuts off.

If the cleaner tips over:

- Turn off the power switch and set the cleaner upright.
- Wait a few seconds for the motor to come to a complete stop.
- Restart the motor.

When the tank is full:

- As the tank fills with liquid, the ball float (inside the cage) rises until it seats itself against the bottom of the motor.
- The motor sound becomes a high pitch sound.
- The shut-off stops the suction.
- Turn off the power switch.
- Empty the tank (instructions follow).

Empty Tank

CAUTION: Turn off the power switch and unplug electrical cord to service.

- Empty contents into a suitable drain by pulling the T-handle on the waste valve. (See page 3.)
- Use special care when emptying full tanks with liquids. Complete opening of the waste valve can result in a sudden rush of liquid.
- Close T-handle on the waste valve to continue cleaning.

Clean and Store

NOTE: Turn off the power switch and unplug electrical cord before cleaning tank.

- Empty tank of all liquid and thoroughly rinse inside before storing.
- Clean and dry tank and all accessories.
- Store indoors in a cool, dry area.

OPTIONAL EXTRACTOR WAND ACCESSORY KITS

ASSEMBLY

Attach Vacuum Hose Coupling

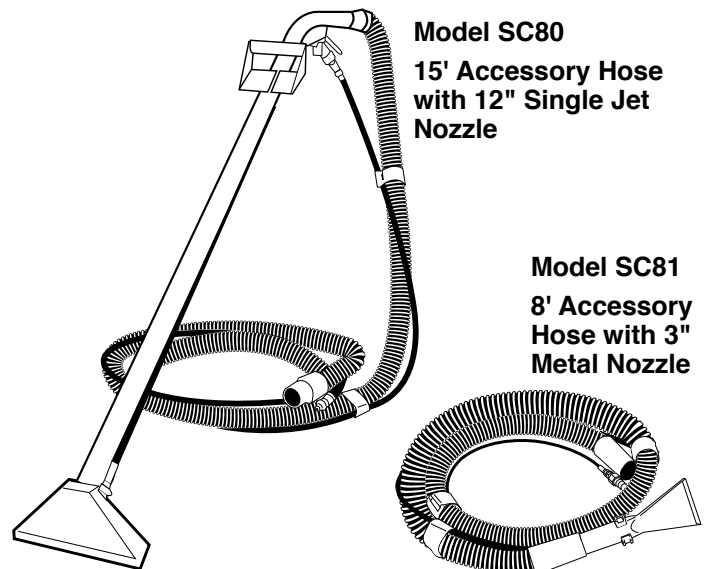
- Disconnect hose from hose inlet.
- Push the accessory hose coupling into the hose inlet.
- Give a slight twist to secure.

Attach Solution Hose Fitting

- Make sure the quick disconnects snap together firmly. As you do this, always inspect hoses for cracks, fraying or leaks. Do not use if hoses are damaged.

Begin Cleaning

- Turn on the vacuum switch and the pump switch. With the cleaning nozzle and hose in hand you may begin cleaning. By pulling the solution trigger, you will disperse the solution onto the desired area. Because the vacuum is on, the fluid will quickly be sucked back into the cleaning nozzle. You will notice that the area you have just cleaned will be damp. This is normal.



Model SC80
15' Accessory Hose
with 12" Single Jet
Nozzle

Model SC81
8' Accessory
Hose with 3"
Metal Nozzle

TROUBLESHOOTING

SYMPTOM: Unit will not turn on.

Problem: Not plugged in.
Solution: Plug machine in proper outlet.

Problem: Circuit breaker has popped.
Solution: Reset circuit breaker. Make sure no other items are running on the same circuit as machine. Outlet must be a 20-amp circuit.

Problem: Power cord has become disconnected from extension cord.
Solution: Reattach power cord to extension cord.

SYMPTOM: Pump is not running properly.

Problem: Power cord and extension cord are not completely locked together.
Solution: Snap firmly together.

Problem: Jets are clogged.
Solution: Clean jet with soft wire brush or remove jet and flush clean.

Problem: The solution tank is empty.
Solution: Fill the solution tank up with a pre-mixed detergent.

Problem: Pump is pulsating.
Solution: Tighten all hoses. Check for leaks.

SYMPTOM: Vacuum motor not working properly.

Problem: Hose not connected tightly to wand or machine.
Solution: Connect hose tightly.

Problem: Hose is clogged with hair, carpet fibers and/or debris.
Solution: Clean hose.

Problem: Drain plug is not shut completely.
Solution: Close drain plug completely.

Problem: Vacuum tank lid is not on tightly.
Solution: Secure the vacuum tank lid on tightly.

Problem: Vacuum hose is cracked or split.
Solution: Replace vacuum hose.

Problem: Water is coming out of the vacuum motor.
Solution: Use a low foaming detergent.

SYMPTOM: Carpet not being scrubbed.

Problem: Brush roll not turning.
Solution: Turn on switch at handle. Check brush roll drive belt.

SANITAIRE COMMERCIAL EQUIPMENT LIMITED WARRANTY Carpet and Spot Cleaners (Excludes Vacuums)

Your equipment, which has been manufactured, tested and inspected with carefully specified engineering requirements, is warranted to be free from defects in material and workmanship. This Limited Warranty is, however, subject to the following qualifications, conditions and limitations which are set forth to provide you and all users of the equipment with information concerning the duration, extent, availability and applicability of the Limited Warranty, the procedure to be taken to obtain its performance, and other information concerning the Limited Warranty policy.

The Limited Warranty is extended to original end user as follows:
One year parts replacement and 1 year service labor warranty.

This Limited Warranty will not cover damage attributable to the following:

- (1) Improper, unreasonable or negligent use or abuse of the equipment.
- (2) Abrasions or punctures of the equipment.

The start date of the Limited Warranty coverage shall be the purchase date of the original end user or six months from the date the machine was shipped from the Factory, whichever comes first.

PARTS OF EQUIPMENT NOT COVERED BY THE LIMITED WARRANTY

Certain parts of equipment require replacement in the ordinary course of use due to normal wear by reason of their characteristics. Normal wear items such as gaskets, wheels, cords, hoses, switches, filters, bearings, carbon brushes, solenoids, o-rings, thermostats, electrical terminals and casters are excluded from the Limited Warranty.

EXCEPTIONS AND EXCLUSIONS FROM THE LIMITED WARRANTY

This equipment is required to be used on electric current as indicated on the data plate. Otherwise damage, defects, malfunctions or other failure of the equipment arising from use on electric current not as indicated are excepted and excluded from this Limited Warranty. Defects, malfunctions, failure or damage of the equipment caused by improper, unreasonable or neglectful use or abuse while in possession of the purchaser are likewise excluded from this warranty. If repair is done on your equipment by anyone other than those designated as an authorized Warranty Center, THE MANUFACTURER at its sole option, may determine that this warranty will not apply and the reimbursement for such repair will not be made.

PROCEDURE TO BE TAKEN TO OBTAIN PERFORMANCE OF LIMITED WARRANTY REPAIR

To secure repair of the equipment or any warranted parts under this Limited Warranty, the following procedure should be taken. The inoperative equipment or warranted parts, together with satisfactory evidence of the purchase date, must be delivered, with shipping and delivery charges prepaid, to one of the following:

- 1) The dealer from whom purchased;
- 2) Any authorized service station.

If you are unable to locate any of the foregoing, you may write or otherwise communicate to THE MANUFACTURER before repair service is performed by anyone else. In such event, THE MANUFACTURER will provide either the location of a closely available authorized distributor service department, or authorized warranty station or other factory instructions. Upon compliance with the above procedure, all warranted defects will be repaired, at no additional charge or costs to the customer, and the repaired product returned to the customer. All shipping charges will be the responsibility of the product owner. In following the procedures set forth, PLEASE MAKE CERTAIN to state the model, type and serial number as shown on the data plate of the equipment.

REPLACEMENT

In the event of a defect, malfunction or failure of your equipment or any warranted part to conform with this warranty, THE MANUFACTURER may, at its sole option and own expense, replace the equipment or any warranted part with another new identical or reasonably equivalent model or part in lieu of repairing the defect.

NO REFUND OF PURCHASE PRICE

THE MANUFACTURER will not, as a matter of its Limited Warranty policy, refund the customer's purchase price.

Be certain that the Warranty Station is "Sanitaire Authorized." For the location of the nearest Sanitaire Authorized Warranty Station or for service information, see us a www.sanitairevac.com or telephone toll free: 1-800-800-8975.

Free Manuals Download Website

<http://myh66.com>

<http://usermanuals.us>

<http://www.somanuals.com>

<http://www.4manuals.cc>

<http://www.manual-lib.com>

<http://www.404manual.com>

<http://www.luxmanual.com>

<http://aubethermostatmanual.com>

Golf course search by state

<http://golfingnear.com>

Email search by domain

<http://emailbydomain.com>

Auto manuals search

<http://auto.somanuals.com>

TV manuals search

<http://tv.somanuals.com>