



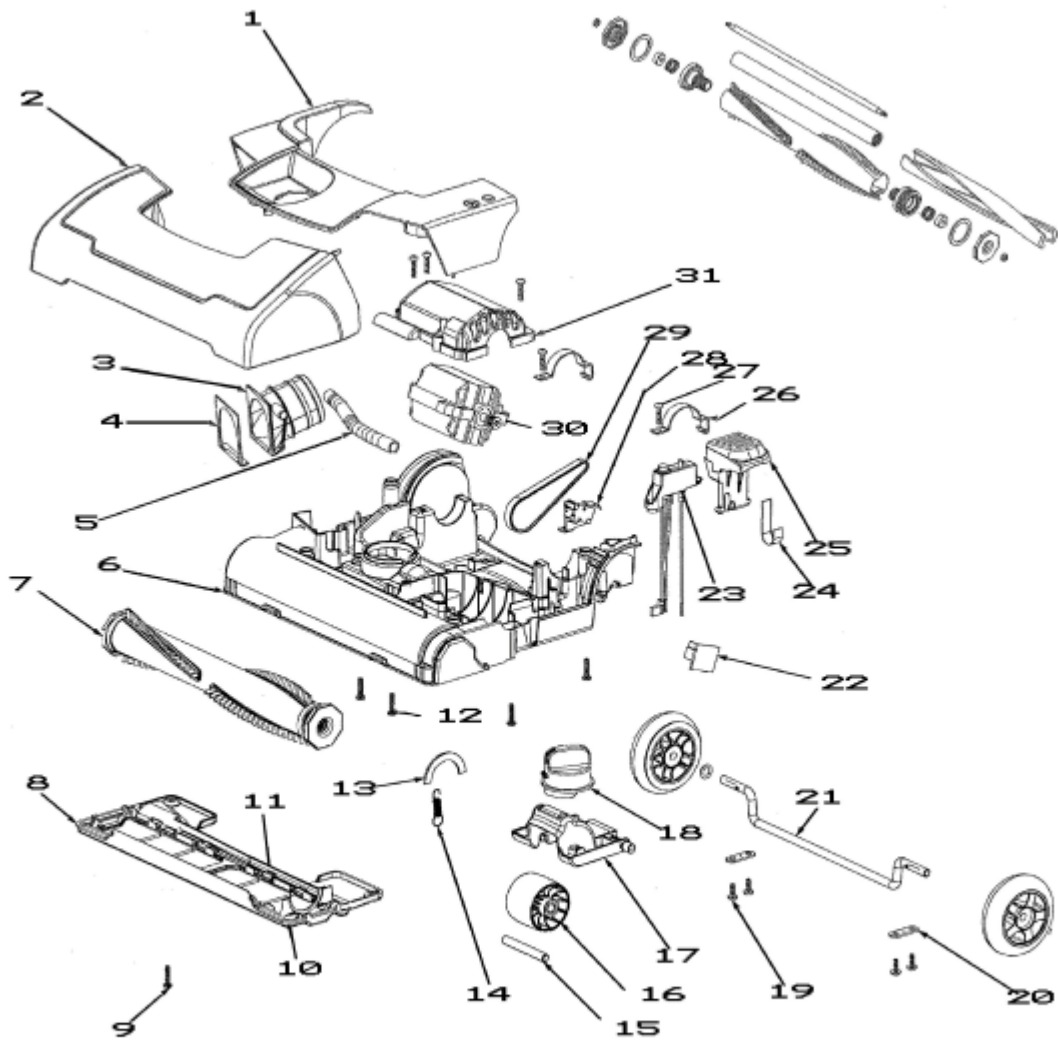
REPAIR PARTS LIST

Model

S9120A

Commercial Upright

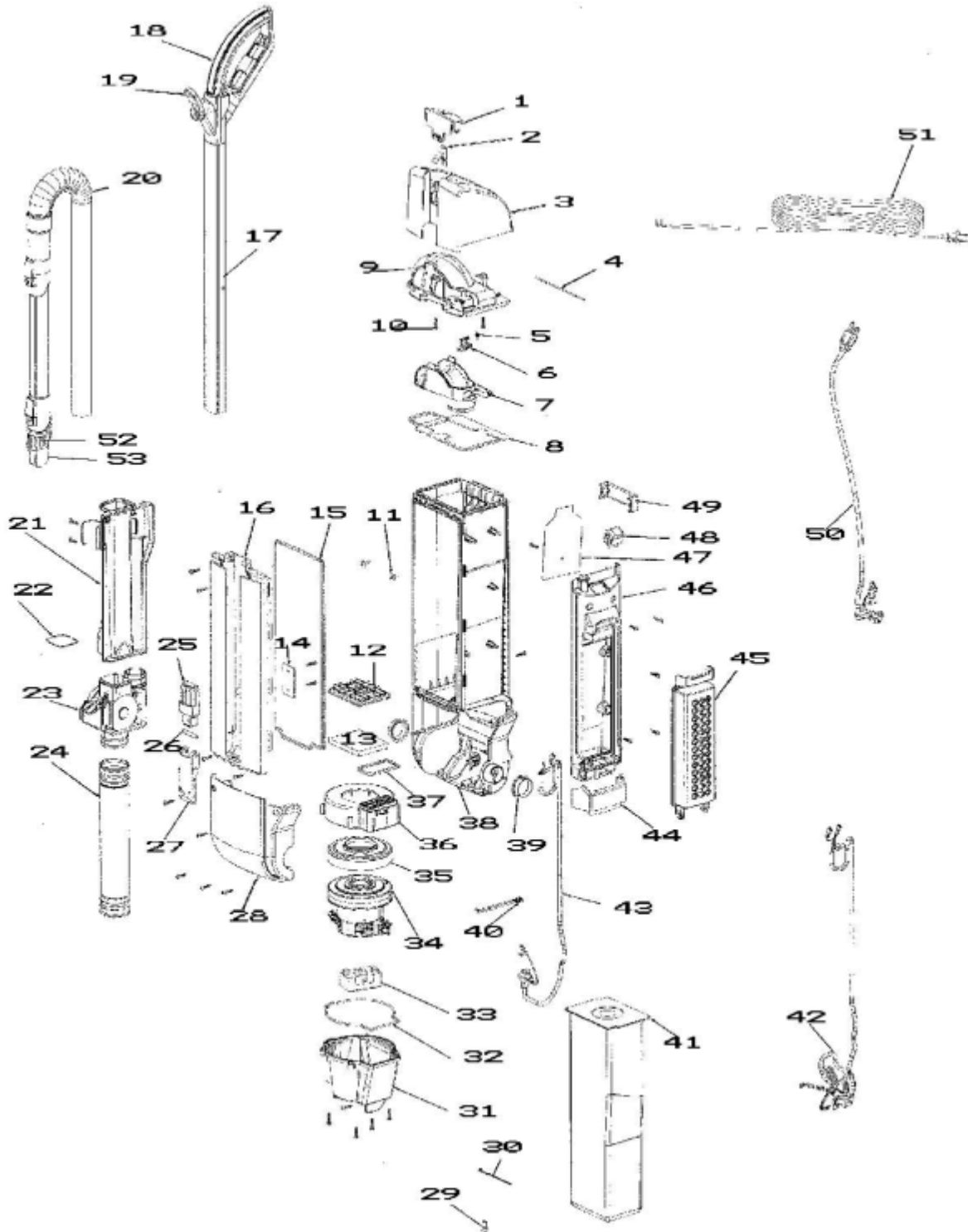
Base & Hood - S9120A



Base & Hood - S9120A

| Ref # | Part | Description | Comments | Qty |
|-------|-------------|-----------------------------|----------|-----|
| 1 | 63862-1 | HOOD ASSEMBLY - PACKAGED | | |
| 2 | 63863 | GUARD, CARRIER & GRPHCS-P | | |
| 3 | 77134A-119N | ADAPTER - BASE | | |
| 4 | 77130 | GASKET - ADAPTER | | |
| 5 | 77822 | TUBE - COOLING | | |
| 6 | 63857 | BASE ASSEMBLY - PACKAGED | | |
| 7 | 63858 | BRUSH ROLL ASSY | | |
| | 53158 | LOCKNUTS-PKG 10 (49175) | | |
| | 76995 | END CAP | | |
| | 77124 | WASHER - FELT | | |
| | 53114 | DIST BRG/PKG 6 | | |
| | 76994 | SHAFT - DISTURBULATOR | | |
| | 76993 | PULLEY | | |
| | 76992 | TUBE - INNER | | |
| | 76991 | TUBE - DISTURBULATOR | | |
| | 63859 | REPL BRISTLES | | |
| | 76996 | RETAINER - BEARING | | |
| | 53115 | TOL RINGS-PKG10 | | |
| | 78749 | FOAM STRIP | | |
| 8 | 77118 | SOLEPLATE ASSEMBLY | | |
| 9 | 54669-6 | SCREW PACKAGE | | |
| 10 | 78580 | GASKET - SOLEPLATE | | |
| 11 | 78907 | GASKET - SOLEPLATE REAR | | |
| 12 | 53238-27 | SCREW PKG | | |
| 13 | 77129 | FELT - SOLEPLATE | | |
| 14 | 54943 | SPRING PKG-10 | | |
| 15 | 77411 | FRONT AXLE | | |
| 16 | 77117-355N | FRONT WHEEL W/IN MOLD BUS | | |
| 17 | 77116-355N | WHEEL - CARRIAGE | | |
| 18 | 77114-380N | KNOB - HEIGHT ADJUSTMENT | | |
| 19 | 53238-11 | SCREW PKG (EW312-10T8) | | |
| 20 | 53201 | CLAMPS-PKG 10 (55535-2) | | |
| 21 | 63860 | REAR WHEEL & AXLE ASSEMBL | | |
| 22 | 78652A | | | |
| 23 | 78290SV | RETAINER ASSEMBLY | | |
| 24 | 77136 | SPRING - HANDLE RELEASE | | |
| 25 | 77135-380N | HANDLE RELEASE | | |
| 26 | 77140 | CLAMP - MOTOR | | |
| 27 | 53238-27 | SCREW PKG | | |
| 28 | 59397-7 | MICROSWITCH | | |
| 29 | 77133 | BELT- SINGLE "Q" P/Head | | |
| 30 | 63861 | BRUSHROLL MOTOR ASSY - CTND | | |
| 31 | 77132-119N | COVER - BRUSHROLL MOTOR | | |

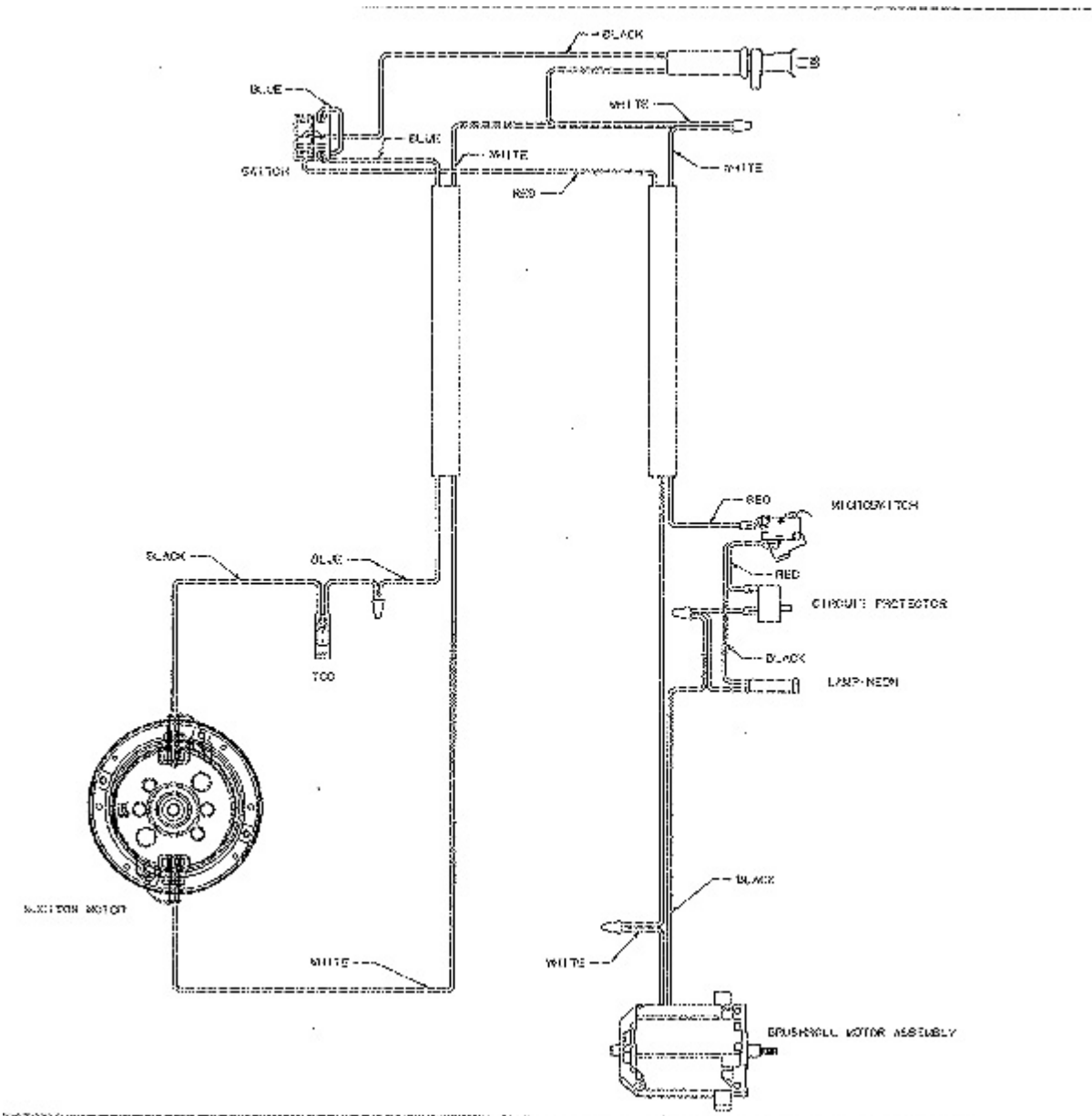
Body - S9120A



Body - S9120A

| Ref # | Part | Description | Comments | Qty |
|--------------|------------|-------------------------------|----------|-----|
| 1 | 77281-355N | LATCH - TOP COVER | | |
| 2 | 77528A | SPRING - TOP COVER | | |
| 3 | 77273-372N | COVER - TOP | | |
| 4 | 77844 | HINGE PIN - TOP COVER | | |
| 5 | 63867 | SPRING- PKG | | |
| 6 | 77282-355N | LEVER - BAG IN PLACE | | |
| 7 | 77270-355N | INLET - BAG | | |
| 8 | 77274 | GASKET - TOP COVER | | |
| 9 | 77271-355N | INLET - COVER | | |
| 10 | 53238-27 | SCREW PKG | | |
| 11 | 60160 | SCREW PKG 10 (55927 (NLA) | | |
| 12 | 77480-355N | GRILL - PRE-MOTOR FILTER | | |
| 13 | 77883 | MEDIA - FILTER | | |
| 14 | 77495 | CLAMP - PLATE | | |
| 15 | 77289 | GASKET - FRONT COVER | | |
| 16 | 77267-372N | COVER - FRONT | | |
| 17 | 77294-2 | UPPER HANDLE ASSEMBLY | | |
| 18 | | Use item 17 | | |
| 19 | 77292-355N | QUICK CORD RELEASE | | |
| 20 | 63864 | HOSE & WAND ASSY - CARTON | | |
| 21 | 77275-355N | DIRT TUBE | | |
| 22 | 78310 | GASKET - DIRT TUBE | | |
| 23 | 77125 | VALVE ASSEMBLY | | |
| 24 | 70051-380N | HOSE - CONNECTOR | | |
| 25 | 77284-355N | ADAPTER - LOWER CORD HOOK | | |
| 26 | 77529 | SHAFT - CORD HOOK | | |
| 27 | 77283-355N | LOWER CORD HOOK | | |
| 28 | 77266-372N | COVER - MOTOR | | |
| 29 | 60192-1 | WIRE SPLICE 5 (53214-2) | | |
| 30 | 46713-5 | CABLE TIE | | |
| 31 | 77285-313N | SHROUD - MOTOR | | |
| 32 | 77818 | GASKET - MOTOR SHROUD | | |
| 33 | 77295A | GROMMET - SUCTION MOTOR | | |
| 34 | 63865 | MOTOR ASSEMBLY | | |
| 35 | 77288-316N | GASKET - MOTOR CAN | | |
| 36 | 77287-119N | SHROUD - MOTOR COVER | | |
| 37 | 78129 | GASKET - COVER MOTOR SHRO | | |
| 38 | 78261-2 | REAR HOUSING ASSEMBLY | | |
| 39 | 77141-119N | BUSHING - NYLON | | |
| 40 | 39252-19 | THERMOSTAT & TERMINAL ASS | | |
| 41 | 63262 | BAG ASSY PACKAGE (A&H SENECA) | | |
| 42 | 77527 | JUMPER CORD - UPPER | | |
| 43 | 77530 | JUMPER WIRE - MOTOR | | |
| 44 | 77291-355N | COVER - HEPA SHROUD | | |
| 45 | 78035 | HEPA FILTER ASSEMBLY | | |
| 46 | 77286-355N | SHROUD - HEPA | | |
| 47 | 78117 | VULCANIZED PAPER | | |
| 48 | 77816-1 | SWITCH - ROCKER | | |
| 49 | 77744-355N | HANDLE - CARRY REAR | | |
| 50 | | | | |
| 51 | 79073 | SUPPLY CORD ASSEMBLY | | |
| 52 | 77853 | DUSTING BRUSH | | |
| 53 | 77856-355N | WAND TIP | | |
| not pictured | 79244 | Owners Guide | | |
| | 78742SV | PACKAGE - HARDWARE | | |

Wiring 79113 - S9120A



Free Manuals Download Website

<http://myh66.com>

<http://usermanuals.us>

<http://www.somanuals.com>

<http://www.4manuals.cc>

<http://www.manual-lib.com>

<http://www.404manual.com>

<http://www.luxmanual.com>

<http://aubethermostatmanual.com>

Golf course search by state

<http://golfingnear.com>

Email search by domain

<http://emailbydomain.com>

Auto manuals search

<http://auto.somanuals.com>

TV manuals search

<http://tv.somanuals.com>