

Cover - SC678A



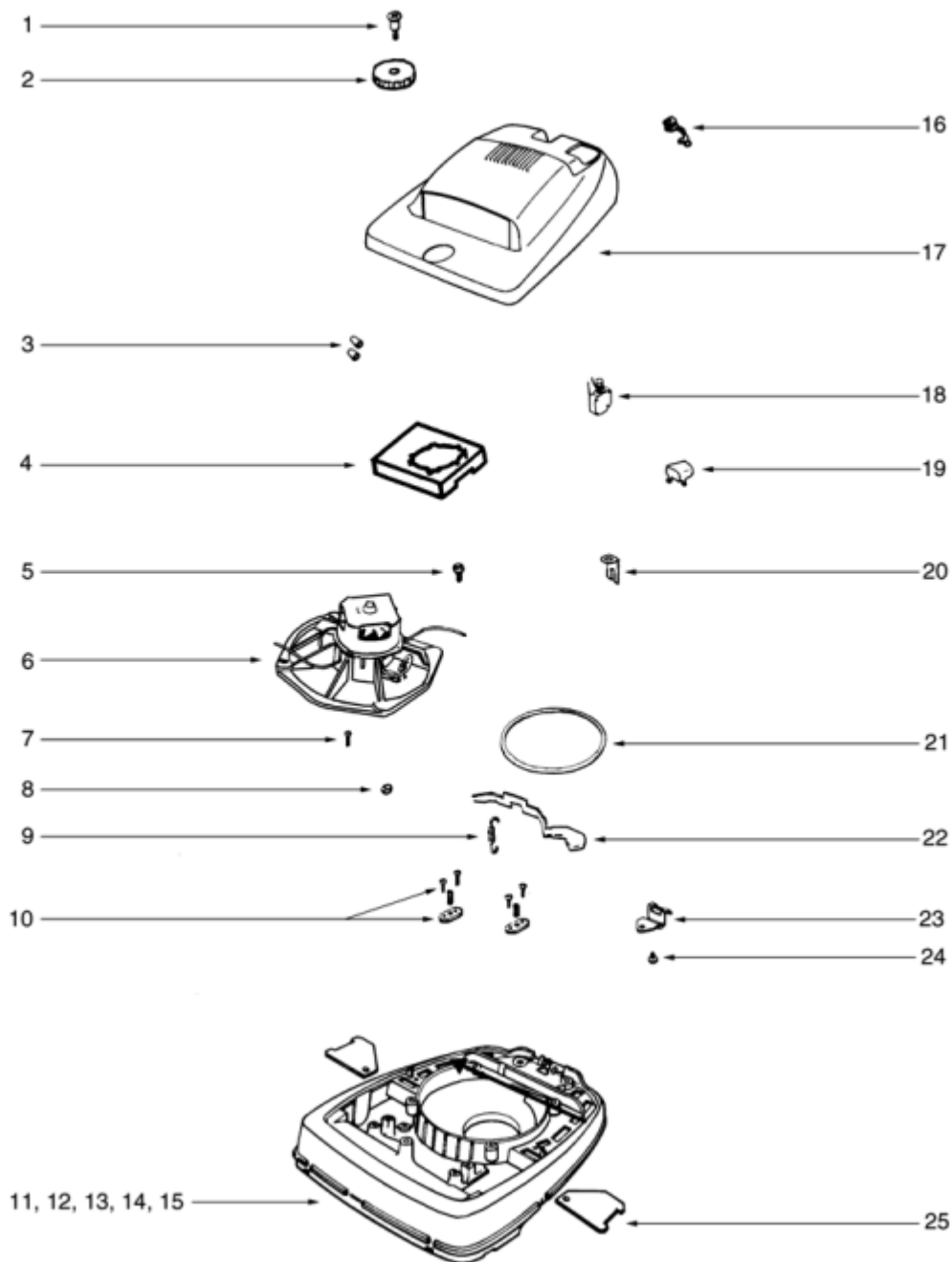
REPAIR PARTS LIST

Model

SC678A

Commercial Upright

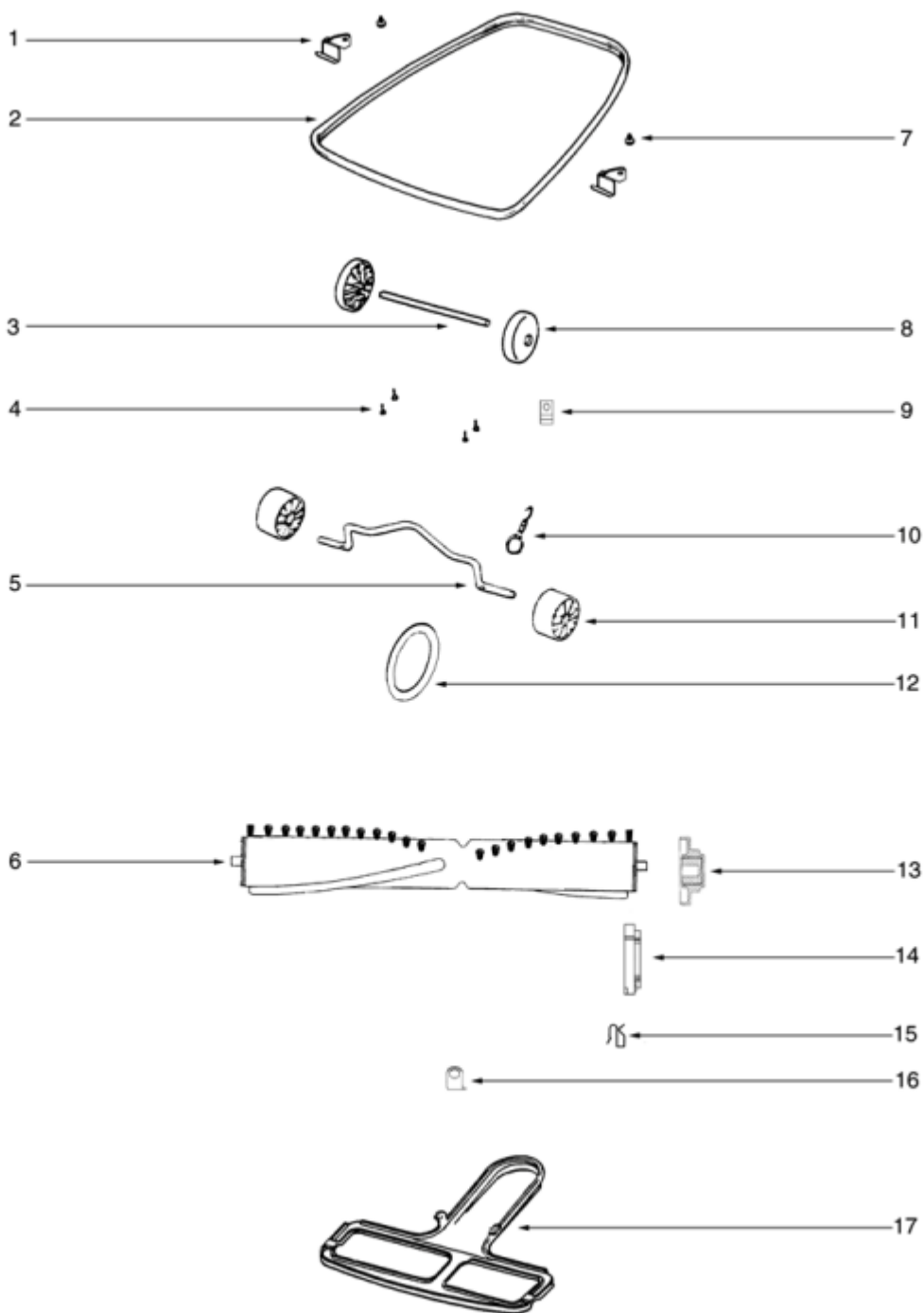
Base and Hood - SC678A



Base and Hood - SC678A

Ref #	Part	Description	Comments	Qty
1	53143	SCREW PACKAGE (10)		
2	38052-2	KNOB ASSEMBLY		
3	60192-1	WIRE SPLICE 5		
4	38314SV	SEPARATOR ASSEMBLY		
5	53238-14	SCREW PACKAGE		
6	53349-8	MOTOR ASSEMBLY - CARTONED		
7	54669-2	SCREW PACKAGE		
8	53213-5	NUTS - PACKAGE 10		
9	53097	SPRING - FOOT PEDAL PKG (
10	53140	CLAMP & SCREW ASSY PKG		
11	53444-15			
12	24964A-1	CAM (RIGHT)		
13	24965A-1	CAM (LEFT)		
14	53118	RIVET - SHOULDER PACKAGE		
15	53133	STL WASHERS-PKG (48495 (NLA)		
16	53122	STRAIN RELIEF BUSHING - P		
17	54314-2	HOOD & GRAPHICS ASSY - PK		
18	13738-5	SWITCH ASSEMBLY		
19	14660-1	BUTTON - SWITCH		
20	37989	CLIP - SWITCH		
21	30517	GASKET - MOTOR SEAL		
22	24834A-3	PEDAL - FOOT		
23	37034	SPRING - ADAPT RETAINER		
24	53238-11	SCREW PACKAGE		
25	36263	COVER - WHEEL		

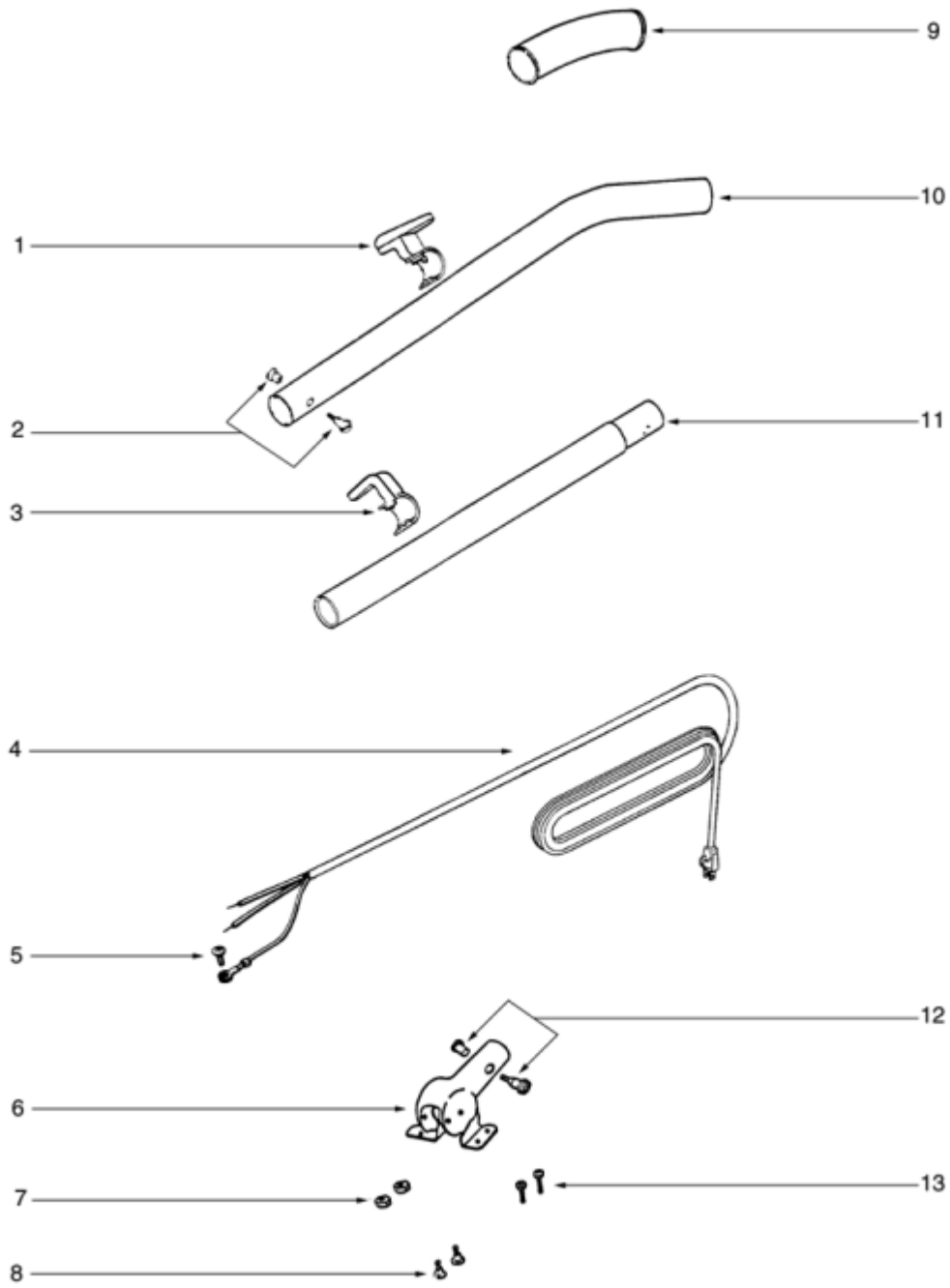
Furniture Guard and Brush Roll - SC678A



Furniture Guard and Brush Roll - SC678A

Ref #	Part	Description	Comments	Qty
1	53144	CLIP - FURNITURE GUARD PK		
2	36999-32	GUARD - FURNITURE		
3	47562	AXLE - REAR		
4	53238-11	SCREW PACKAGE		
5	35947A	AXLE - FRONT		
6	54104-1	DISTURBULATOR REPLACEMENT		
7	53238-6	SCREW PACKAGE		
8	35858-2	WHEEL - REAR (35858- (NLA)		
9	53111	CLIP PACKAGE (5)		
10	53076-2	SPRING & AXLE PACKAGE (6)		
11	35859A-1	WHEEL - FRONT		
12	52100A	BELT PKG ASSY (UPRIGHT)		
13	38138	CAP & BEARING ASSEMBLY		
14	26059A	CAP - COVER		
15	55015	CLIP - WIRE		
16	38218-1	BRACKET - BUSHING		
17	25922-1	BOTTOM PLATE ASSEMBLY		

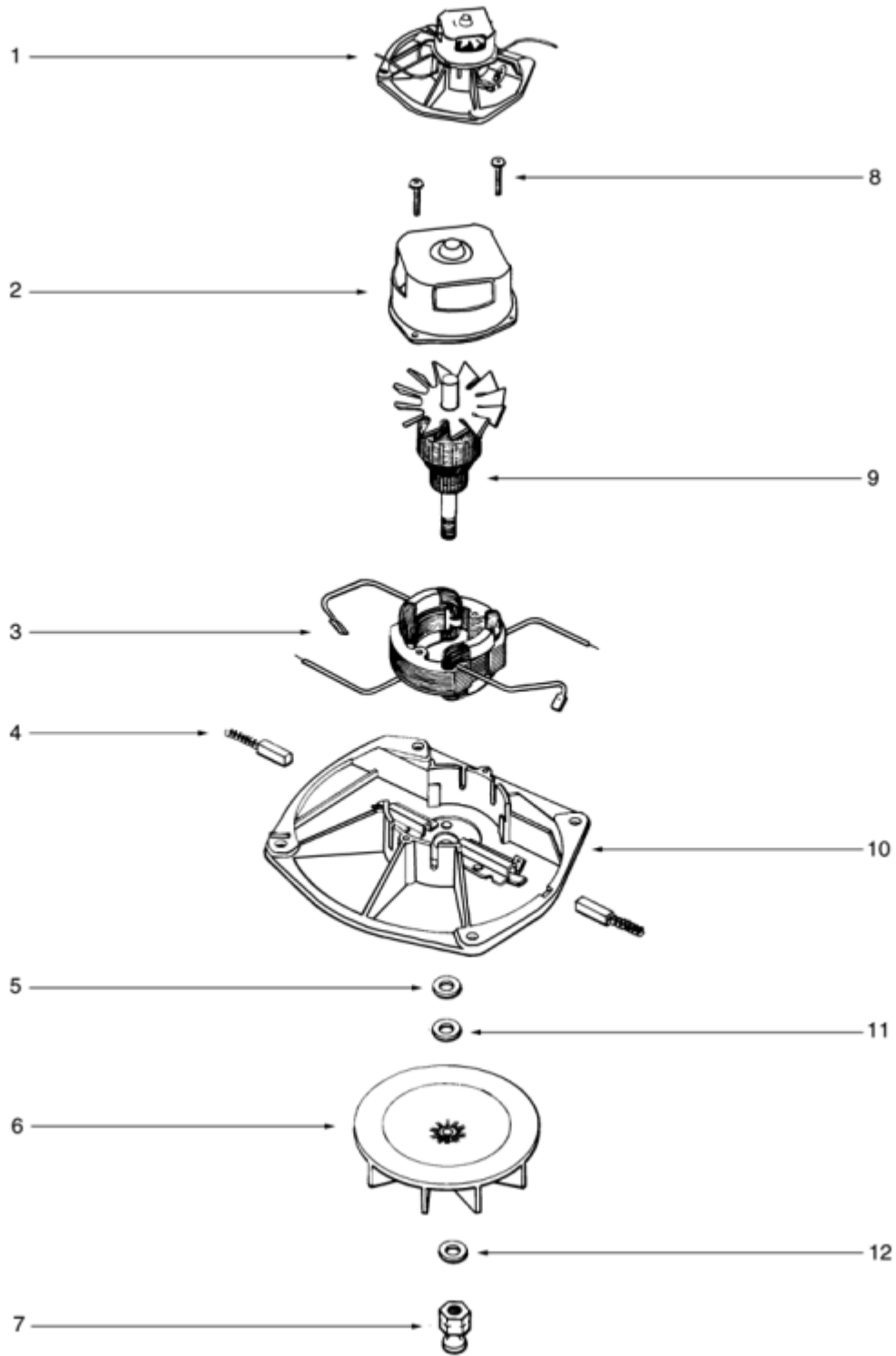
Handle - SC678A



Handle - SC678A

Ref #	Part	Description	Comments	Qty
1	53574-1	RETNR PKG(UPPER&LOWER)BEIGE		
2	53198-1	HANDLE SCREW ASSY PACKAGE		
4	36577A-13	CORD & TERMINAL ASSY 30 8		
5	53238-13	SCREW PACKAGE		
6	38183-1SV	HANDLE SOCKET ASSEMBLY		
7	53213-5	NUTS - PACKAGE 10		
8	53145	BOLT PACKAGE (10)		
9	35293-8	GRIP - HANDLE		
10	25329-16SV	HANDLE ASSEMBLY (UPPER)		
11	12637-8	TUBE - HANDLE (LOWER)		

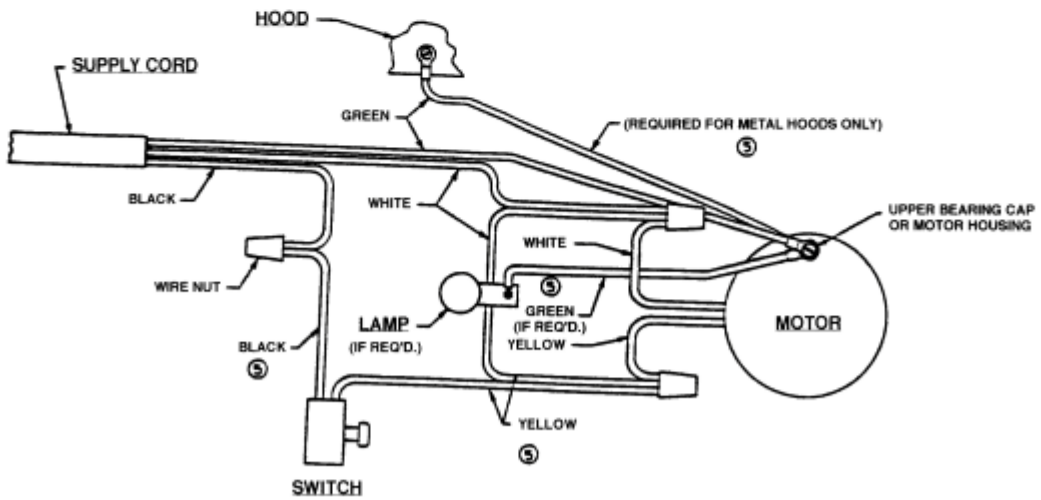
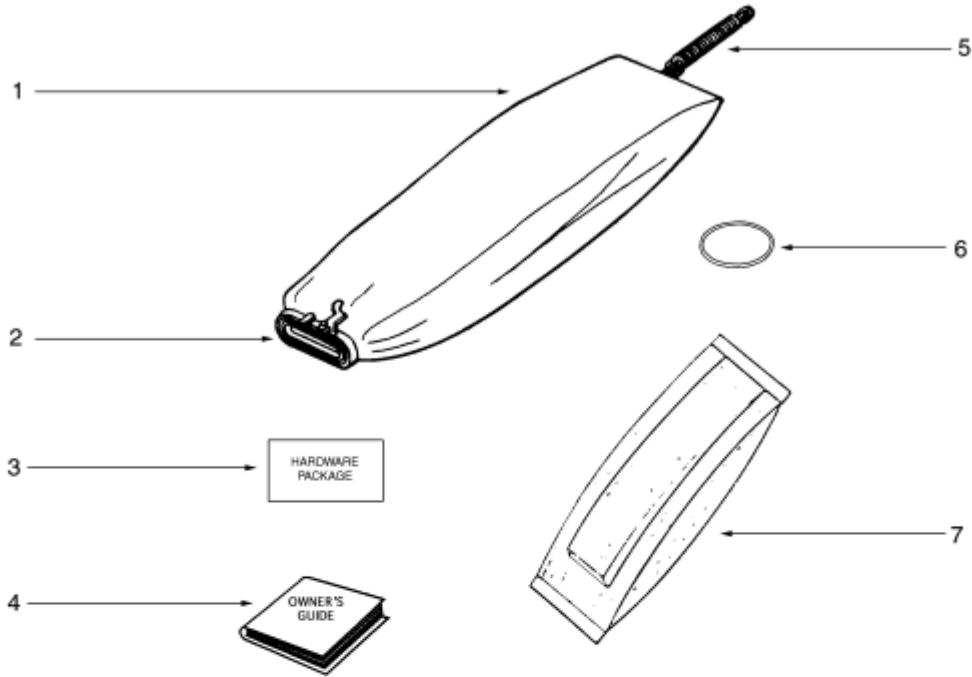
Motor - SC678A



Motor - SC678A

Ref #	Part	Description	Comments	Qty
1	53349-8	MOTOR ASSEMBLY - CARTONED		
2	54768	FAN END HOUSING - LABELED		
3	53901-2	FIELD ASSEMBLY - PKG		
4	25172A-1	MOTOR BRUSH ASSEMBLY		
5	53188-1	WASHER PACKAGE		
6	12988-1	FAN BLOWER - MOTOR		
7	37012-2	PULLEY - MOTOR DRIVE		
8	53131-1	SCREW PACKAGE (10)		
9	53470-3	ARMATURE - CARTONED		
10	54171-1	MOTOR BASE ASSEMBLY		
11	53148	WASHER - FAN PACKAGE (10)		
12	54811	FAN WASHER - PACKAGED		

BAG AND WIRING DIAGRAM - SC678A



36575 WIRING DIAGRAM

BAG AND WIRING DIAGRAM - SC678A

Ref #	Part	Description	Comments	Qty
1	53469-23	ZIPPER BAG ASSY - PACKAGE		
2	77491	DIRT TUBE & OVERMOLD ASSE		
3	49461B-4SV			
4	78091			
5	47722	SPRING - BAG	Not illustrated.	
6	48410	SPRING - GARTER	Not illustrated.	
7	63213	UPR ST DUSTBAG W/A&H PATC		

Free Manuals Download Website

<http://myh66.com>

<http://usermanuals.us>

<http://www.somanuals.com>

<http://www.4manuals.cc>

<http://www.manual-lib.com>

<http://www.404manual.com>

<http://www.luxmanual.com>

<http://aubethermostatmanual.com>

Golf course search by state

<http://golfingnear.com>

Email search by domain

<http://emailbydomain.com>

Auto manuals search

<http://auto.somanuals.com>

TV manuals search

<http://tv.somanuals.com>