



REPAIR PARTS LIST

Model

SC883A

Commercial Upright

Base and Hood - TS881A

54097-5 HOOD & NAMEPLATE ASS'Y.
77147 NAMEPLATE



56383-1SV AIR INLET DUCT ASS'Y. (R.H.)
49052-3 FOAM TAPE



56382-1SV AIR INLET DUCT ASS'Y.
49052-3 FOAM TAPE



53474-27 BASE ASS'Y.
NOT ILLUSTRATED
24964A CAM (R.H.)
24965A CAM (L.H.)
53118 RIVET-CAM PKG. 10 2 USED
53133 WASHER PKG. 10 2 USED



52334 FAN CHAMBER REPLACEMENT KIT (INCLUDES)
30517 MOTOR SEAL GASKET
13770-1 FAN CHAMBER COVER
53238-14 SCREW
PKG. 10 2 USED



Base and Hood - TS881A

Ref #	Part	Description	Comments	Qty
1	54097-6			
2	79412			
3	53143	SCREWS-PKG 10 (48868)		
4	38053-2	KNOB ASY-BLNER (38053-1)		
5	53228-2	SCREWS/PKG 10 (EW126-8P5Z)		
6	53160	CABLE CLAMPS/PKG 5		
7	53238-13	SCREW PKG (53238-29)		
8	53238-14	SCREW PKG (53238-17)		
9	53214-1	WIRE NUTS/PKG 10		
10	53102	LOCKWASHERS/PKG. (45943 (NLA)		
11	56383-1SV	DUCT ASSEMBLY (R)		
12	49052-3	TAPE - FOAM		
13	54352-15	MOTOR ASSEMBLY - PACKAGED		
14	56382-1SV	DUCT ASSEMBLY (L)		
15	56382-1SV	DUCT ASSEMBLY (L)		
16	49052-3	TAPE - FOAM		
17	30517	GASKET - MOTOR SEAL		
18	24834A-3	PEDAL - FOOT (24834A-1)		
19	53097	SPRINGS-FT PED-PKG5		
20	37034	SPRING-ADAPT RETAINER		
21	53140	CLAMPS&SCREWS-PKG 6		
22	53238-11	SCREW PKG (EW312-10T8)		
23	54173-1	WIRE ASSY (GROUNDING)		
24	53425-29			
25	53213-4	NUTS-PKG 10 (EW14-8ZP)		
26	54177	WIRE & TERMINAL ASSY		
27	24964A-1	CAM (RIGHT) (24964A)		
28	24965A-1	CAM (LEFT) (24965A)		
29	53118	RIVETS-PKG 10 (NLA) (NLA)		
30	53133	STL WASHERS-PKG (48495 (NLA)		
31	36263	COVER - WHEEL		
32	53117	HOOD SPRINGS-PKG 10		
33	52334	FAN CHAMBER REPL KIT		
34	13770-1	COVER - FAN SCROLL(52334)		
35	53238-14	SCREW PKG (53238-17)		
36	13770-1	COVER - FAN SCROLL(52334)		

Furniture Guard and Brush Roll - SC883A



37234-3 WHEEL & AXLE ASS'Y. (INCLUDES)

53110 WHEEL WASHER
PKG. 10 2 USED

37183 REAR AXLE
53121 PUSHNUT USED
PKG. 10 2



NOTE
PT. NO. 53270
DISTURBULATOR ASS'Y.
INCLUDES*

13236-3 DISTURBULATOR TUBE

52282-4 BRISTLE STRIP ASS'Y.

49899 FELT WASHER

54256 BEARING RETAINER
PKG. 2 2 USED

25057A DISTURBULATOR CAP

53158 LOCK NUT
PKG. 10 2 USED

53184 KLIPRING
PKG. 10 2 USED

25937 SHAFT



25922-1 BOTTOM PLATE ASS'Y. (INCLUDES)

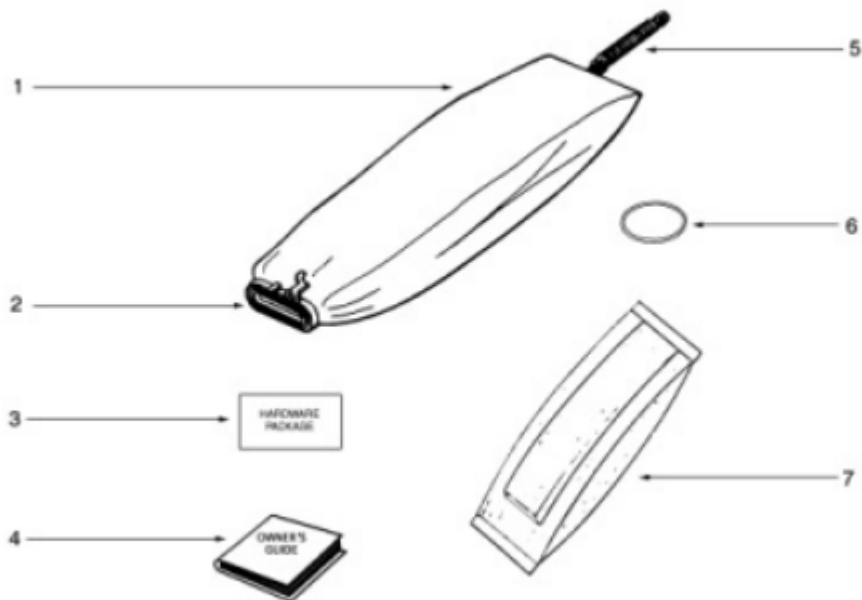
48538 FOAM TAPE



Furniture Guard and Brush Roll - SC883A

Ref #	Part	Description	Comments	Qty
1	37234-3	WHEEL & AXLE ASSEMBLY		
2	53110	WASHERS-PKG 10 (47585)		
3	37183	AXLE - REAR		
4	53121	PUSH NUTS-PKG 10		
5	76334	FURNITURE GUARD ASSEMBLY		
6	76369-1	REAR WHEEL OVERMOLD		
7	55535-2	Discontinued, use 53201		
8	53238-11	SCREW PKG (EW312-10T8)		
9	53076-2	AXLE SPRINGS-PKG (36407A)		
10	35859A-1	WHEEL - FRONT		
11	35947A	AXLE - FRONT		
12	30563A	BELT-DISTURBULATOR DRIVE		
13	53270	DIST ASSY (12") (26060A-1)		
14	53158	LOCKNUTS-PKG 10 (49175)		
15	26059A	CAP - COVER		
16	26057A	CAP - DISTURBULATOR		
17	54256	BRG & RET ASSY		
18	53184	KLIPRINGS-PKG 10 (49900)		
19	25937	SHAFT - DISTURBULATOR		
20	52282-4	BRISTLE STRIP SE (52282-3)		
21	13236-3	TUBE - DISTURBUL (13236)		
22	25922-1	BOTTOM PLATE ASSY		
23	46538-4	FOAM TAPE(50")		

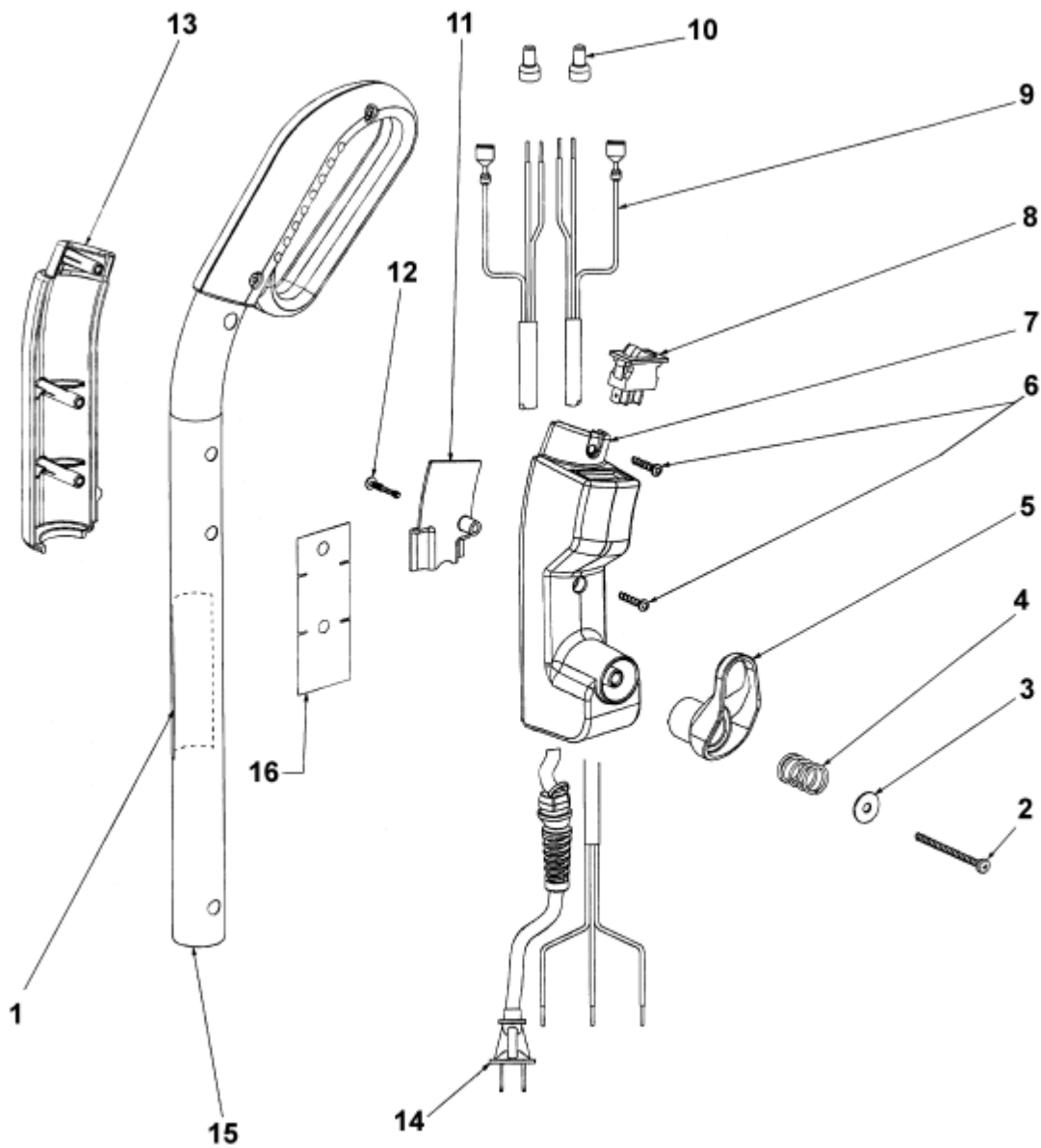
Bag - SC883A



Bag - SC883A

Ref #	Part	Description	Comments	Qty
1	53469-23	ZIPPER BAG ASSY - PACKAGE		
2	77491	DIRT TUBE & OVERMOLD ASSE		
3	49461B-5	HARDWARE PKG - COMM UPRIG		
4	78091			
5	47722	SPRING - BAG(49077)		
6	48410	SPRING - GARTER		
7	63213	UPR ST DUSTBAG W/A&H PATCH		

Handle - TS881A



Handle - TS881A

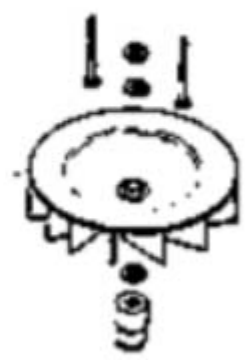
Ref #	Part	Description	Comments	Qty
1		Label		
2	53238-18	SCREW PKG(PKG 10) 53238-25		
3	60946	WASHER/PKG.10--(56815		
4	60945	SPRING (PKG.10) SC4570AT		
5	28316-355N	RETAINER - CORD		
6	53197-1	SCREWS-PKG 10 (55372-1		
7	76643-355N	HOUSING - SWITCH (LH)		
8	28073A	ROCKER SWITCH		
9	76767	UPPER CORD ASSY.		
10	60192-1	WIRE SPLICE 5 (53214-2)		
11	59741-316N	SHIELD-WIRING		
12	60947	SCREWS (PKG.10)SC4570AT		
13	76644-355N	HOUSING - SWITCH (RH)		
14	36577A-23	SUPPLY CORD ASSY		
15	15774-2SV	UPRIGHT HANDLE & GRIP ASS		
16	76644-355N	HOUSING - SWITCH (RH)		
17	76224	CORD - EXTENSION	Extension cord not pictured	
18	76225-355N	CORD LOCK	Extension cord lock not pictured	
	13154B-355N	RETAINER - CORD (LOWER)		
	12637-8	TUBE - HANDLE (LOWER)		

Motor - TS881A

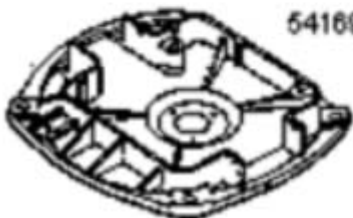
54352-15 MOTOR ASSY



54395-4 ARM, FAN & BEARING ASSY
53088-2 BEARING
30474A FAN



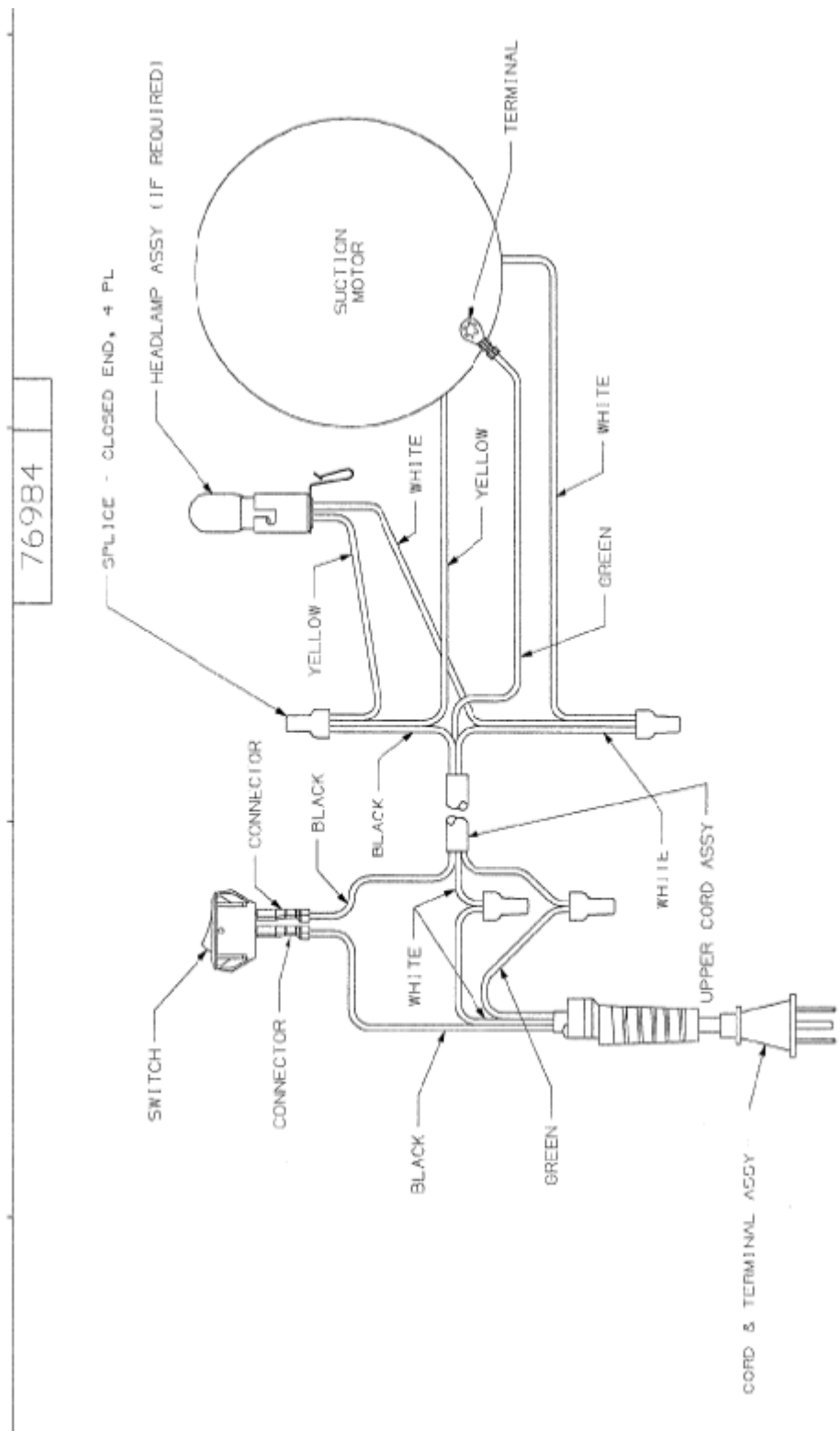
54169-1 MOTOR BASE ASSY
54412 BEARING & RETAINER ASSY
53088-1 BEARING
53187-1 RIVET



Motor - TS881A

Ref #	Part	Description	Comments	Qty
1	54352-15	MOTOR ASSEMBLY - PACKAGED		
2	53219-2	SCREWS PKG 10		
3	53213-4	NUTS-PKG 10 (EW14-8ZP		
4	53222-3	LK WSHRS-PKG10		
5	30478	MOTOR BRUSH ASSY		
6	53138	SCREWS-PKG 10		
7	54396	MOTOR COVER ASSY - LABELE		
8	20217E	RETAINER - UPPER BEARING		
9	53441-2	FIELD ASSY		
10	56802-2	Discontinued, use 46713-1		
11	54395-4	ARMATURE KIT		
12	53088-2	BALL BEARINGS use 53088-4		
13	30474A	FAN - MOTOR COOLING		
14	53142	SCREWS (PKG OF 1 (48855 (NLA)		
15	53188-1	WASHERS-PKG10 (metal)		
16	53148	FAN WASHERS-PKG 10 (felt)		
17	77247-355N	Fan Blower Motor		
18	37012-2	PULLEY - MOTOR DRIVE		
19	54169-1	MOTOR BASE ASSY		
20	54412-2	BEARING&RETAINER(54412-1)		
21	53088-1	BALL BEARING - PACKAGE		
22	53187-1	RIVETS-PKG10		

Wiring Diagram - 76984 - TS881A



Free Manuals Download Website

<http://myh66.com>

<http://usermanuals.us>

<http://www.somanuals.com>

<http://www.4manuals.cc>

<http://www.manual-lib.com>

<http://www.404manual.com>

<http://www.luxmanual.com>

<http://aubethermostatmanual.com>

Golf course search by state

<http://golfingnear.com>

Email search by domain

<http://emailbydomain.com>

Auto manuals search

<http://auto.somanuals.com>

TV manuals search

<http://tv.somanuals.com>