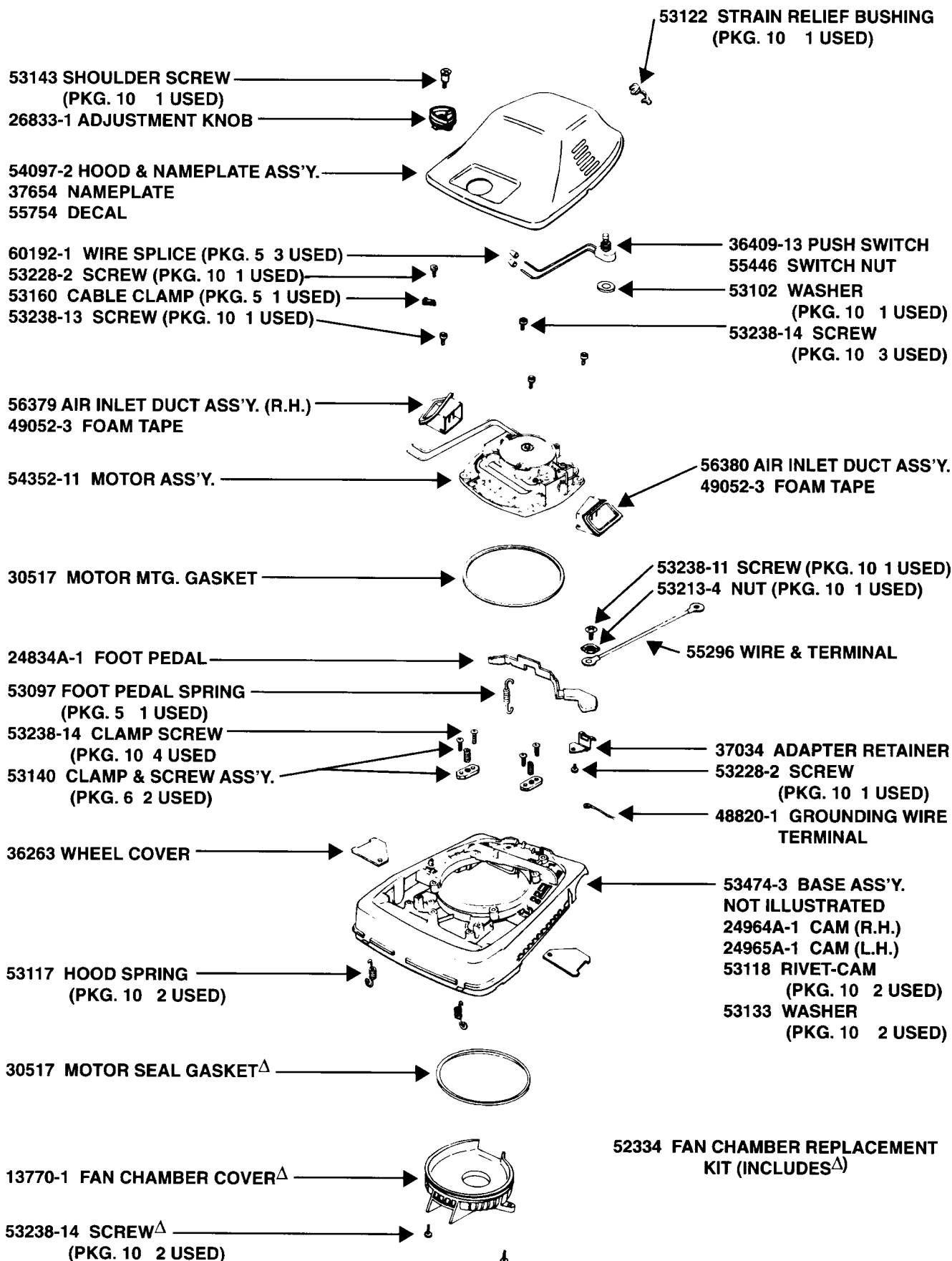


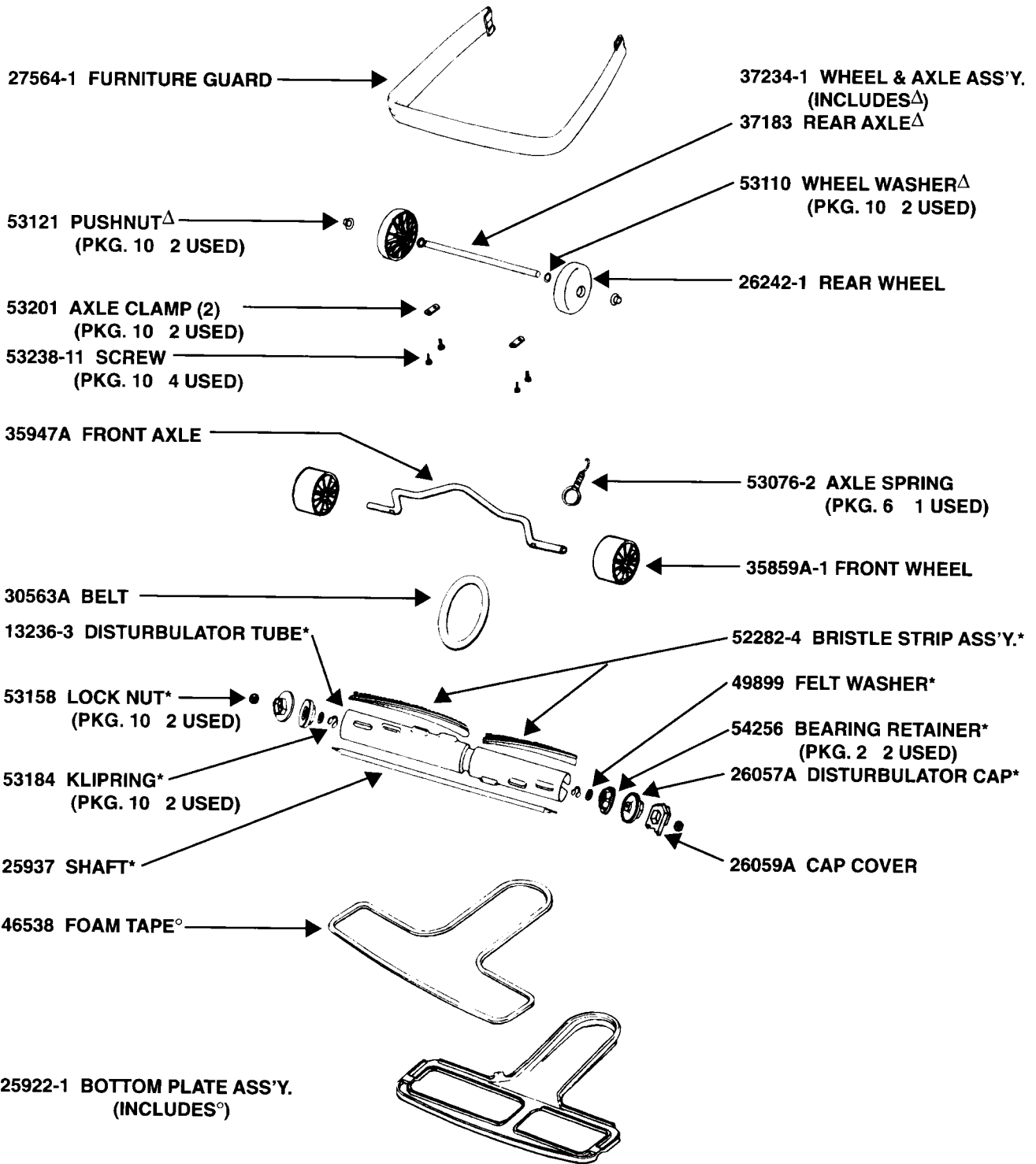
REPAIR PARTS LIST

SANITAIRE

COMMERCIAL UPRIGHT

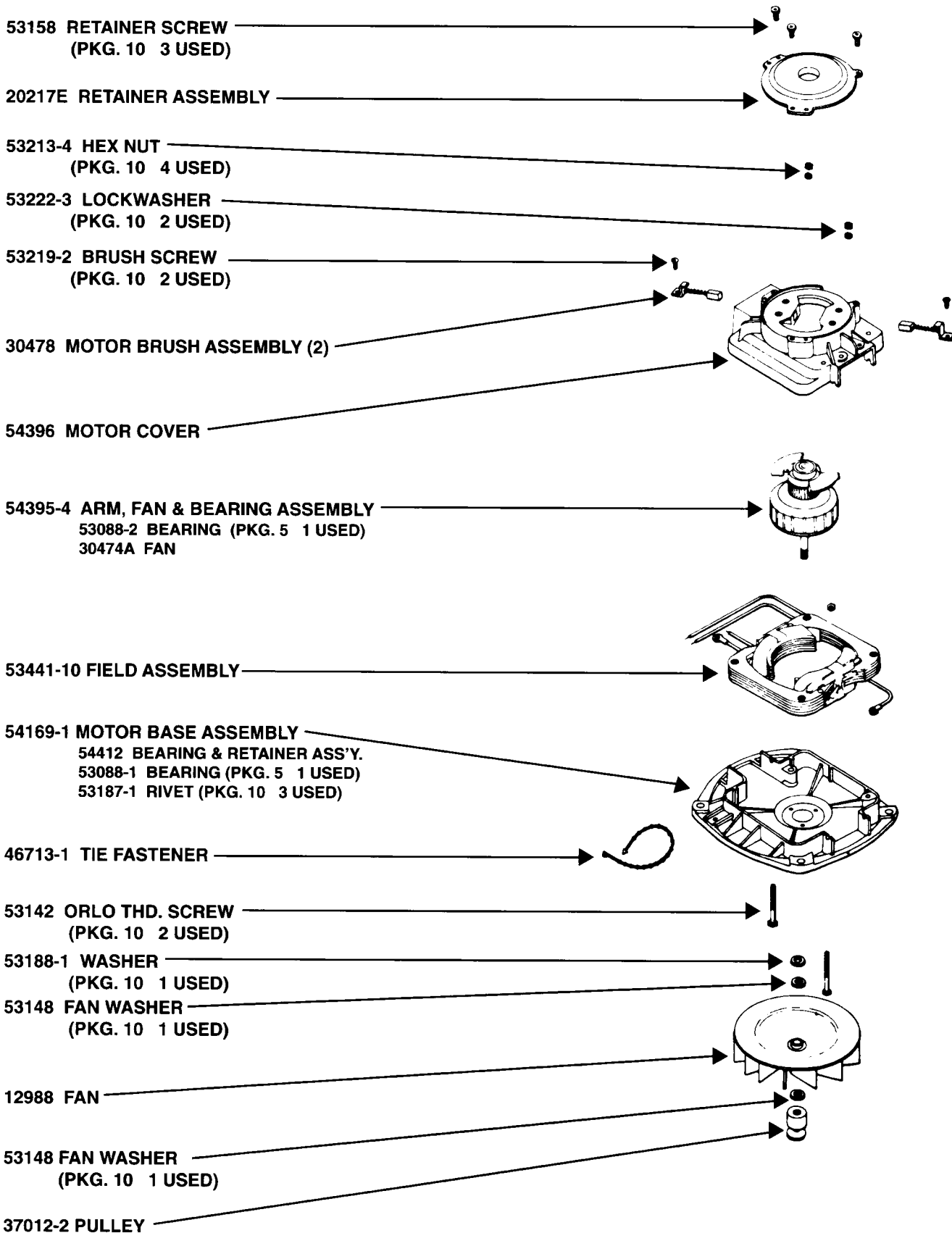
MODEL SC886-E

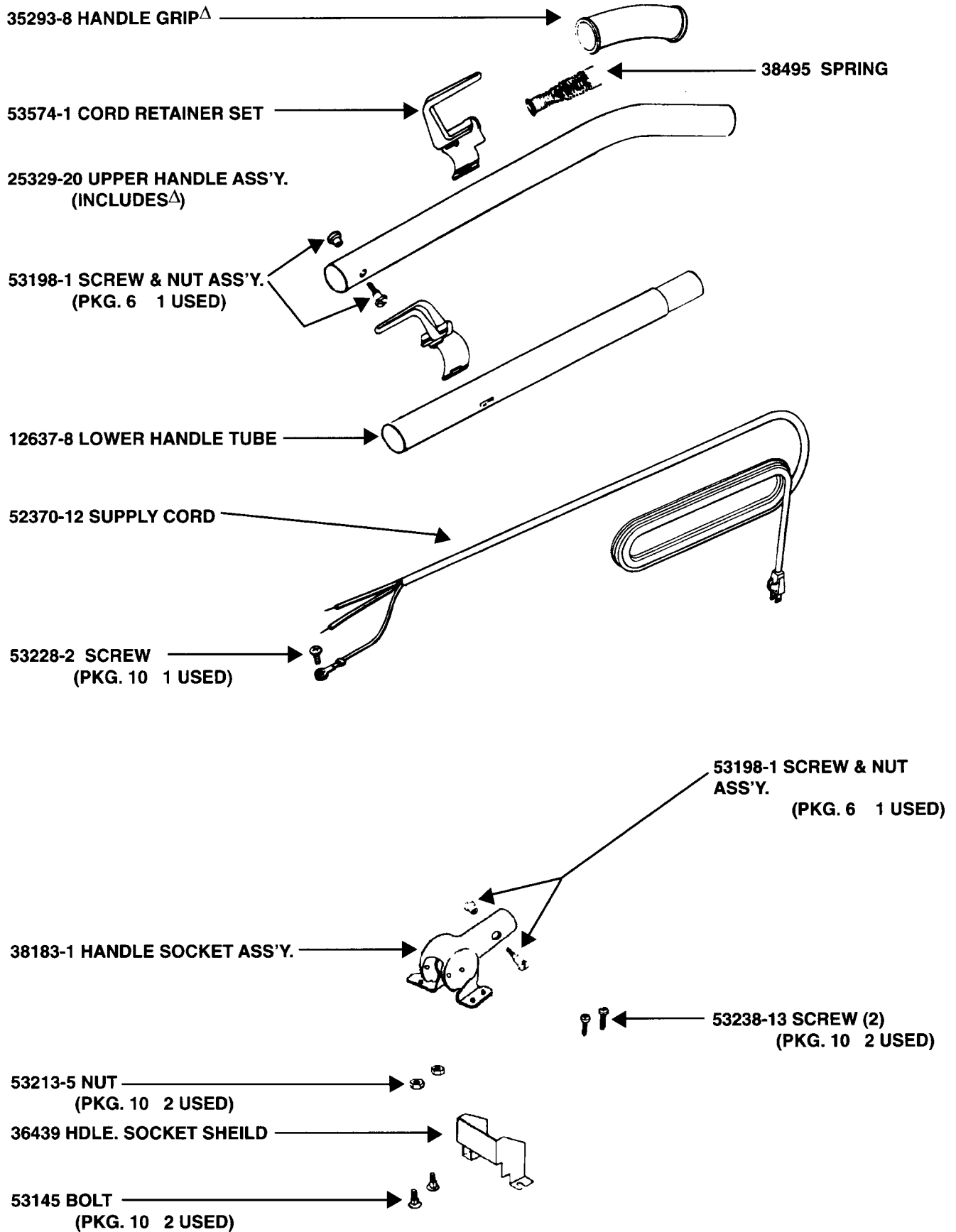




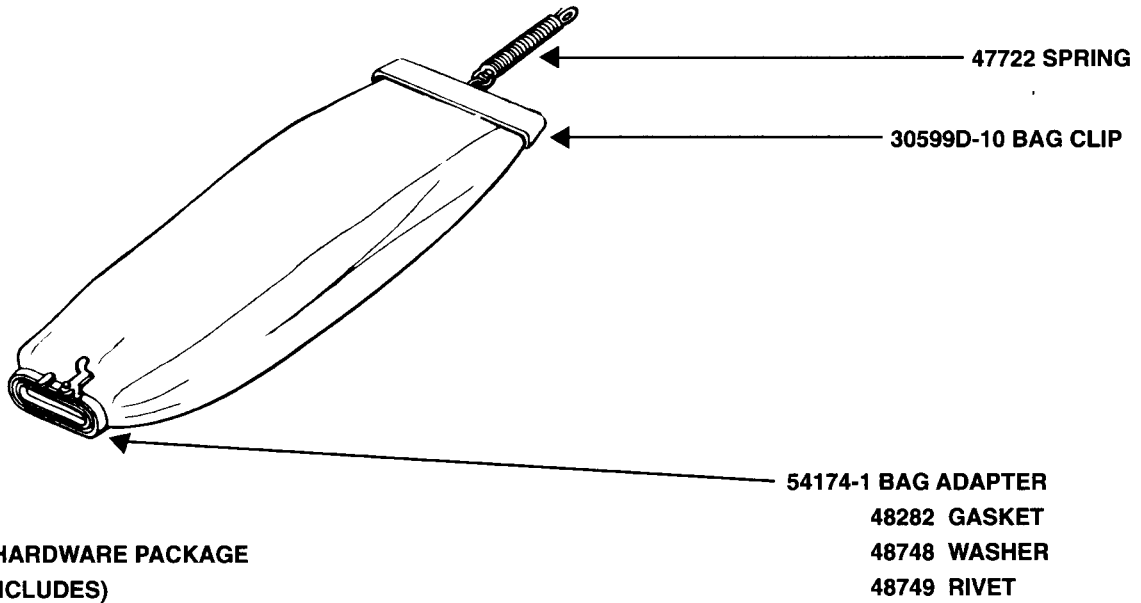
NOTE
 PT. NO. 53270
 DISTURBULATOR ASS'Y.
 INCLUDES*

54352-11 MOTOR ASSEMBLY

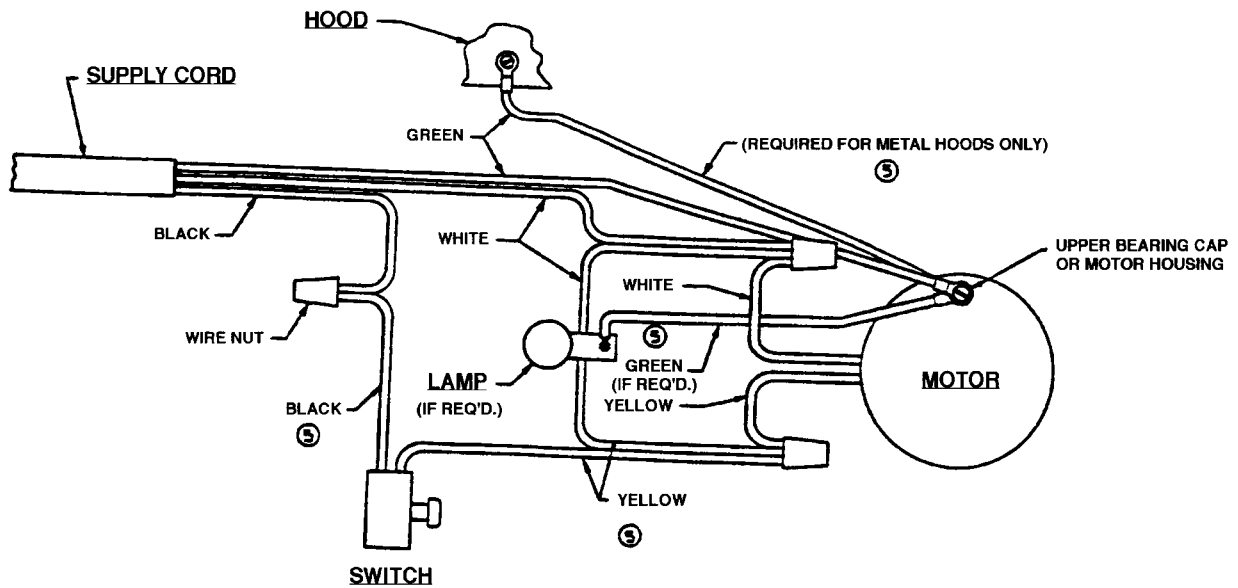




54582-1 BAG ASSEMBLY



49461-A HARDWARE PACKAGE
(INCLUDES)
1-CORD RETAINER SET
2-HANDLE SCREW ASS'Y.



36575 WIRING DIAGRAM

Free Manuals Download Website

<http://myh66.com>

<http://usermanuals.us>

<http://www.somanuals.com>

<http://www.4manuals.cc>

<http://www.manual-lib.com>

<http://www.404manual.com>

<http://www.luxmanual.com>

<http://aubethermostatmanual.com>

Golf course search by state

<http://golfingnear.com>

Email search by domain

<http://emailbydomain.com>

Auto manuals search

<http://auto.somanuals.com>

TV manuals search

<http://tv.somanuals.com>