

 **Sanitaire**[®]

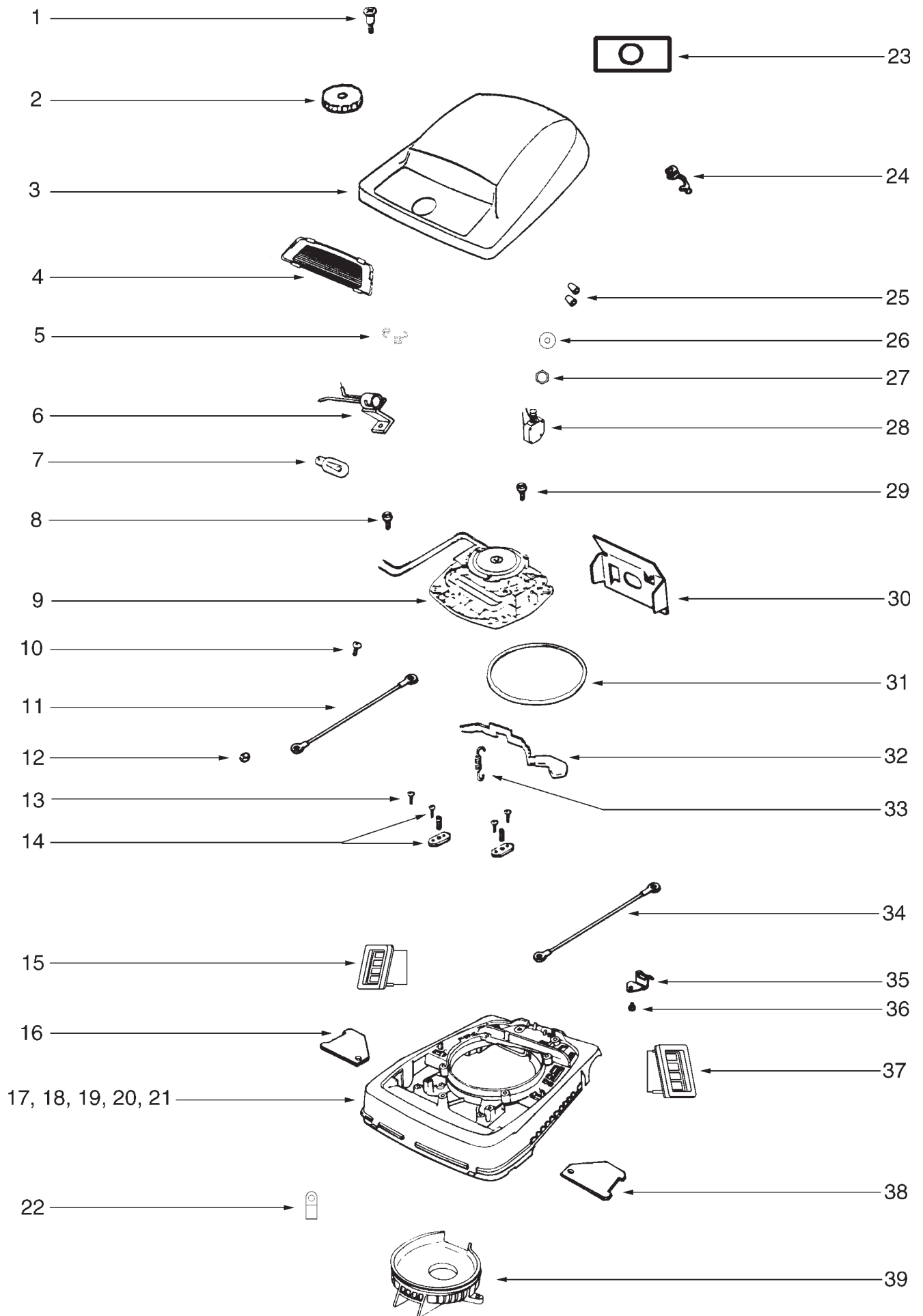
by
EUREKA

REPAIR PARTS LIST

SC888H

SANITAIRE COMMERCIAL UPRIGHT

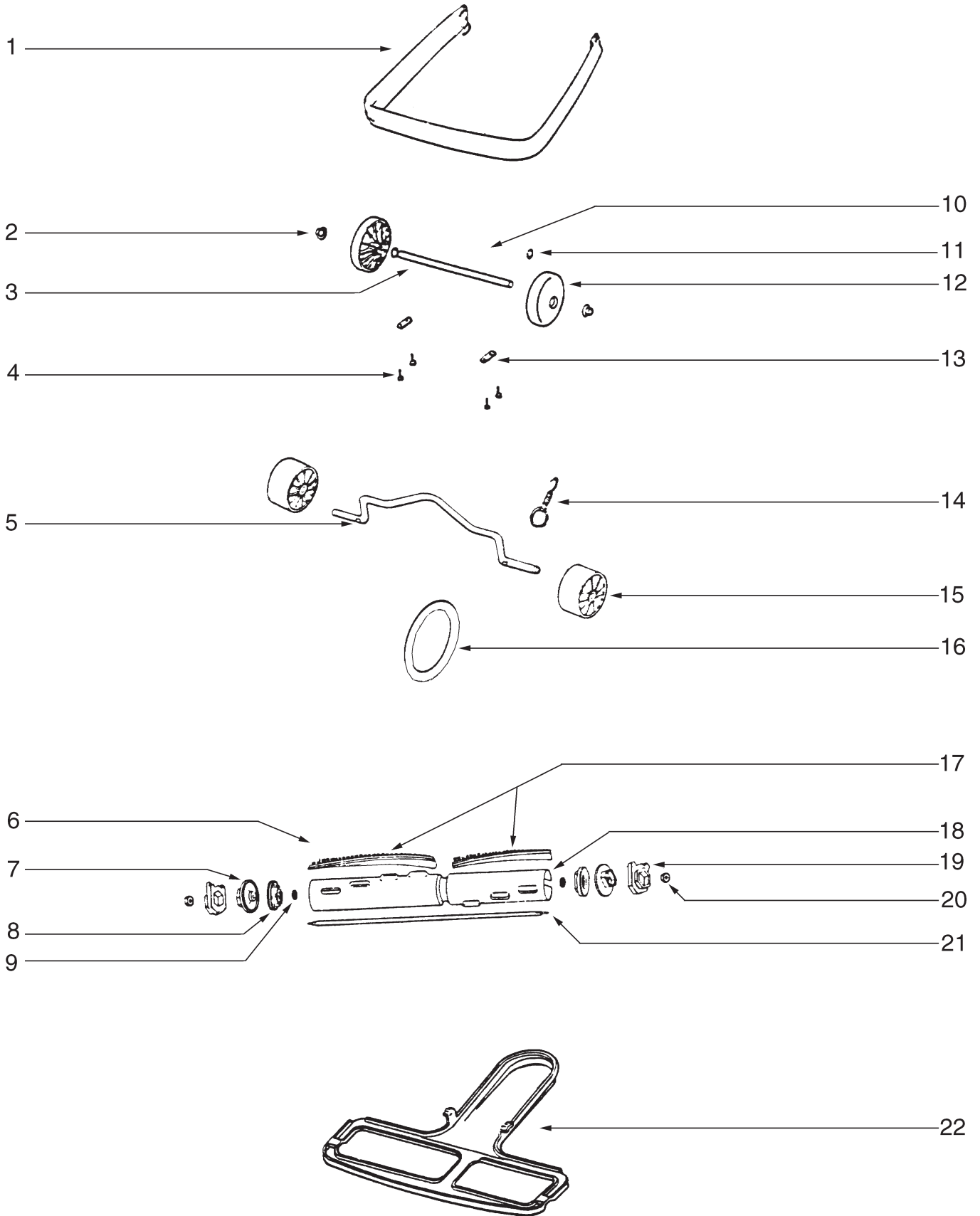
Date: February 19, 2003



SC888H

1.	53143	SCREW - pkg of 10
2.	26833-1	KNOB
3.	54098-1	HOOD ASSEMBLY
4.	12600-22	LENS
5.	53117	HOOD SPRING - pkg of 10
6.	37514	HEADLIGHT SOCKET ASSEMBLY
7.	48815	HEADLIGHT
8.	53238-14	MOTOR MOUNTING SCREW - pkg of 10
9.	54352-3	MOTOR ASSEMBLY
10.	53228-2	SCREW - pkg of 10
11.	55296	WIRE & TERMINAL ASSEMBLY
12.	53213-4	NUT - pkg of 10
13.	53238-13	SCREW - pkg of 10
14.	53140	CLAMP & SCREW ASSEMBLY
15.	56380SV	DUCT ASSEMBLY (L)
16.	36263	WHEEL COVER
17.	53425-16	BASE ASSEMBLY*
18.	24964A-1	CAM (R.H.)
19.	24965A-1	CAM (L.H.)
20.	53118	CAM RIVET - pkg of 10
21.	53133	WASHER - pkg of 10
22.	49301	CABLE CLAMP
23.	37654	NAME PLATE
24.	53122	STRAIN RELIEF BUSHING - pkg of 10
25.	60192-1	WIRE SPLICE - pkg of 5
26.	53102	SWITCH WASHER - pkg of 10
27.	55446	SWITCH NUT
28.	36409-13	SWITCH ASSEMBLY
29.	53238-14	SCREW - pkg of 10
30.	25461A	LIGHT SHIELD
31.	30517	MOTOR SEAL GASKET
32.	24834A-3	FOOT PEDAL
33.	53097	FOOT PEDAL SPRING - pkg of 10
34.	48820-1	WIRE ASSEMBLY (GROUNDING)
35.	37034	ADAPTER RETAINER SPRING
36.	53238-11	SCREW - pkg of 10
37.	56379SV	DUCT ASSEMBLY (R)
38.	36263	WHEEL COVER
39.	13770-1	FAN SCROLL COVER

* INCLUDES ITEMS 18, 19, 20 & 21

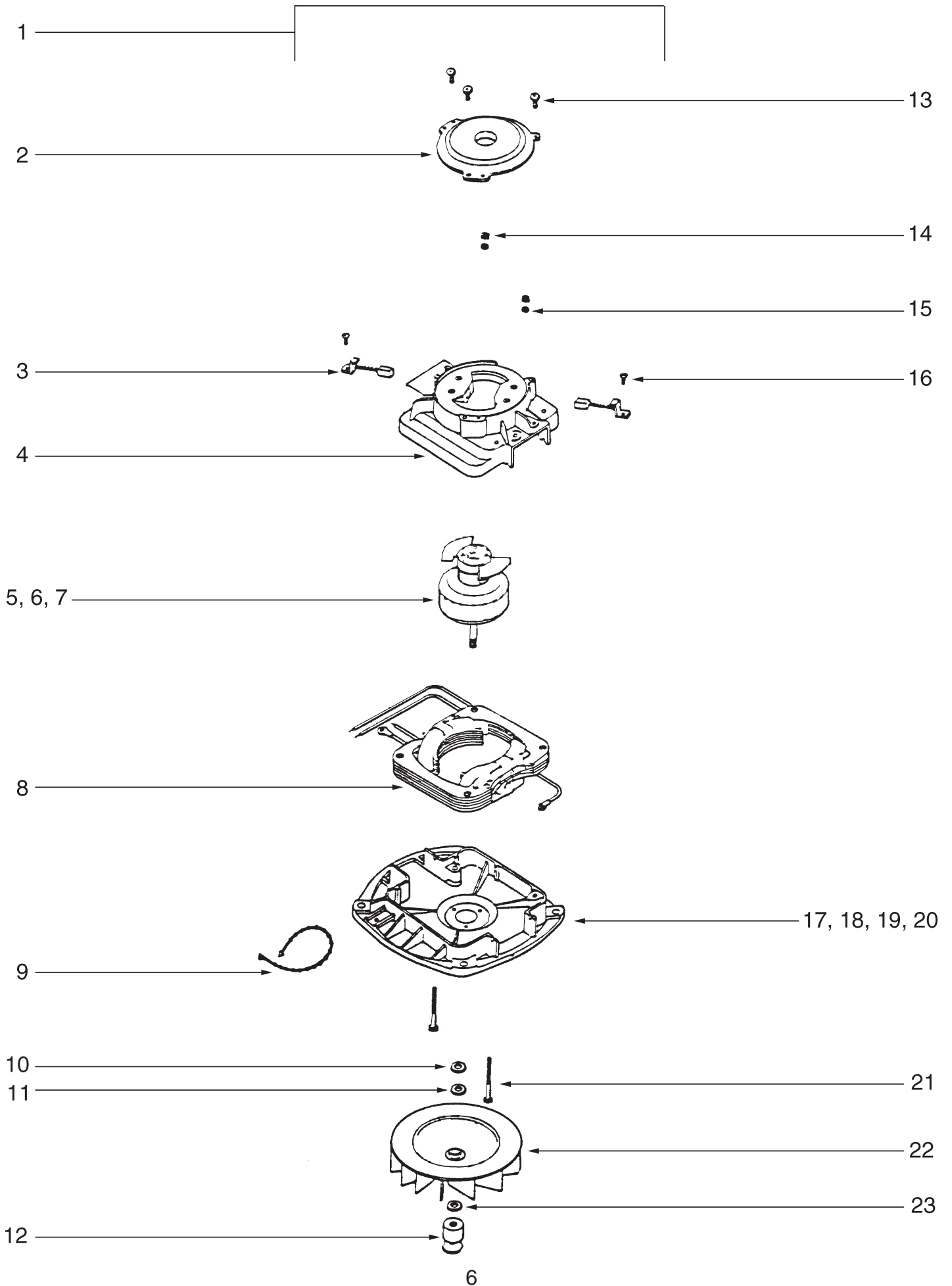


SC888H

1.	28504-1	FURNITURE GUARD
2.	53121	PUSH NUT - pkg of 10
3.	37183	REAR AXLE
4.	53238-11	SCREW - pkg of 10
5.	35947A	FRONT AXLE
6.	53270	DISTURBULATOR ASSEMBLY*
7.	26057A	DISTURBULATOR CAP
8.	54256	BEARING & RETAINER ASSEMBLY
9.	53184	KLIPRING
10.	60161	WHEEL & AXLE ASSEMBLY**
11.	53110	WHEEL WASHER - pkg of 10
12.	26242-119N	REAR WHEEL
13.	53201	AXLE CLAMP - pkg of 10
14.	53076-2	AXLE SPRING - pkg of 6
15.	35859A-1	FRONT WHEEL
16.	52100A	BELT - pkg of 2
17.	52282-4	BRISTLE STRIP SET
18.	13236-3	DISTURBULATOR TUBE
19.	26059A	CAP COVER
20.	53158	NUT - pkg of 10
21.	25937	SHAFT
22.	25922-1	BOTTOM PLATE ASSEMBLY

* INCLUDES ITEMS 7, 8, 9, 17, 18, 20 & 21

** INCLUDES ITEMS 3, 11 & 12

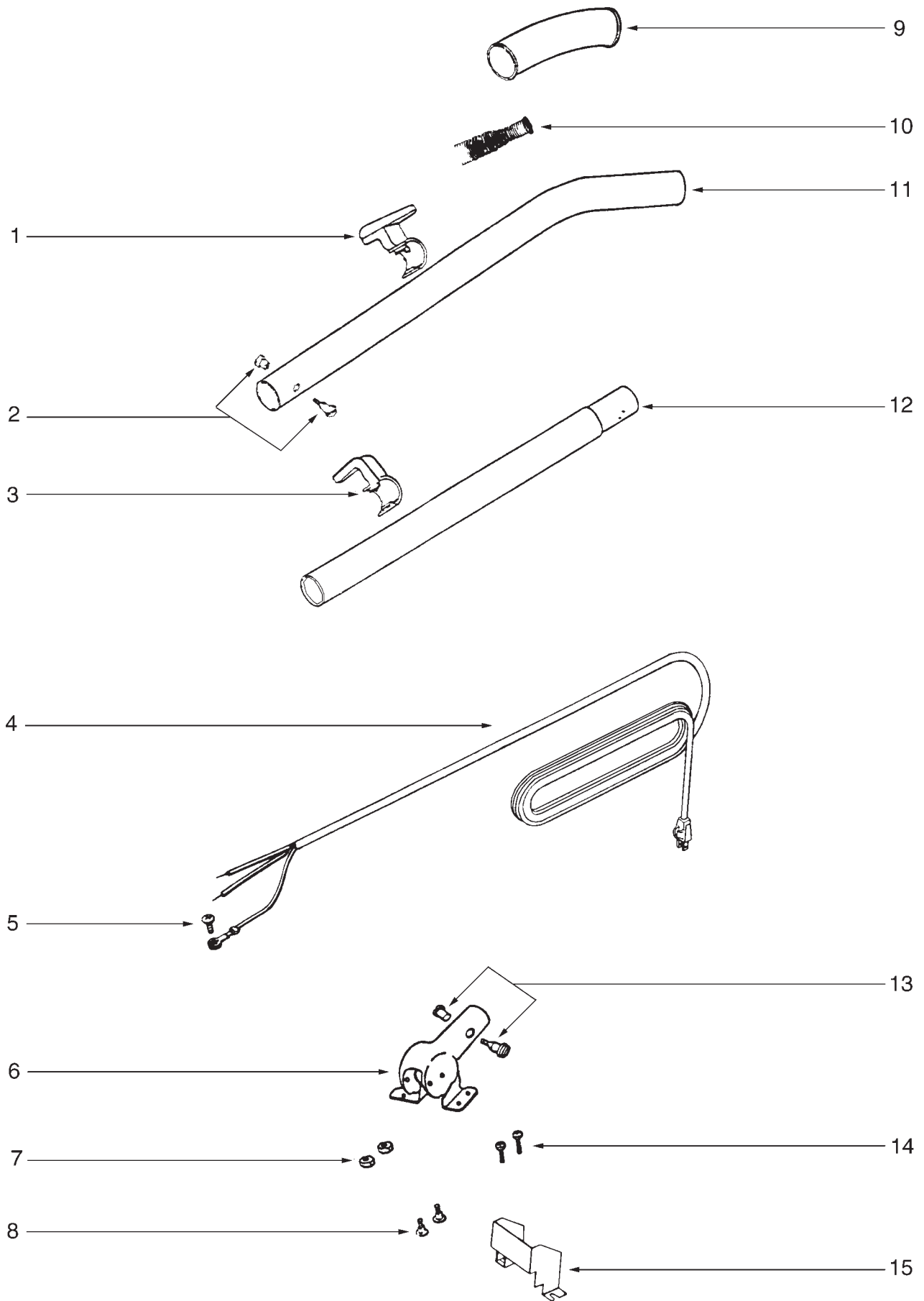


SC888H

1.	54352-3	MOTOR ASSEMBLY COMPLETE
2.	20217E	RETAINER ASSEMBLY
3.	30478	MOTOR BRUSH ASSEMBLY
4.	54396	MOTOR COVER
5.	54425-3	ARMATURE FAN & BEARING ASSEMBLY*
6.	53088-5	BEARING - pkg of 5
7.	30474A	FAN
8.	53441-2	FIELD ASSEMBLY
9.	46713-1	CABLE TIE
10.	54811	WASHER - pkg of 10
11.	53148	FAN WASHER - pkg of 10
12.	37012-2	PULLEY
13.	53138	RETAINER SCREW - pkg of 10
14.	56817	HEX NUT
15.	53222-4	LOCK WASHER - pkg of 10
16.	53219-2	BRUSH SCREW
17.	54169-1	MOTOR BASE ASSEMBLY**
18.	20217E	BEARING RETAINER
19.	53088-5	BEARING - pkg of 5
20.	53187-1	RIVET - pkg of 10
21.	53142	ORLO THREAD SCREW - pkg of 10
22.	12988	FAN
23.	53148	FAN WASHER - pkg of 10

* INCLUDES ITEMS 6 & 7

** INCLUDES ITEMS 18, 19 & 20



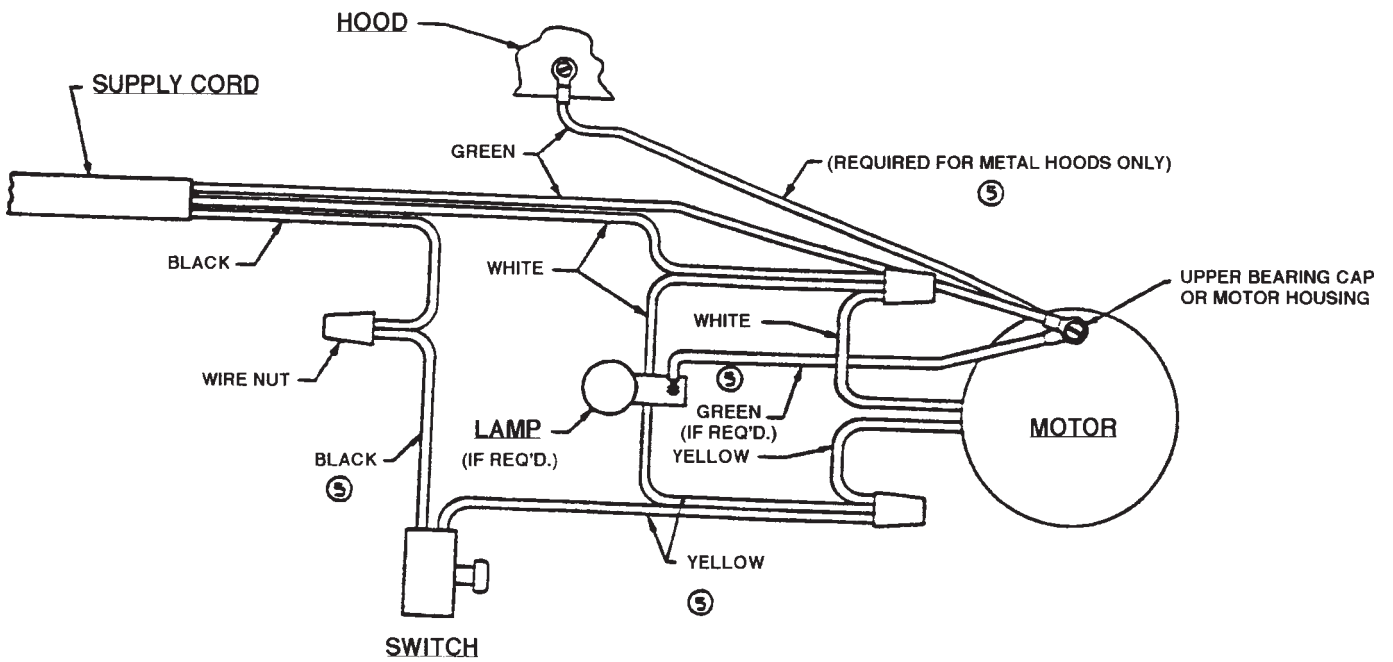
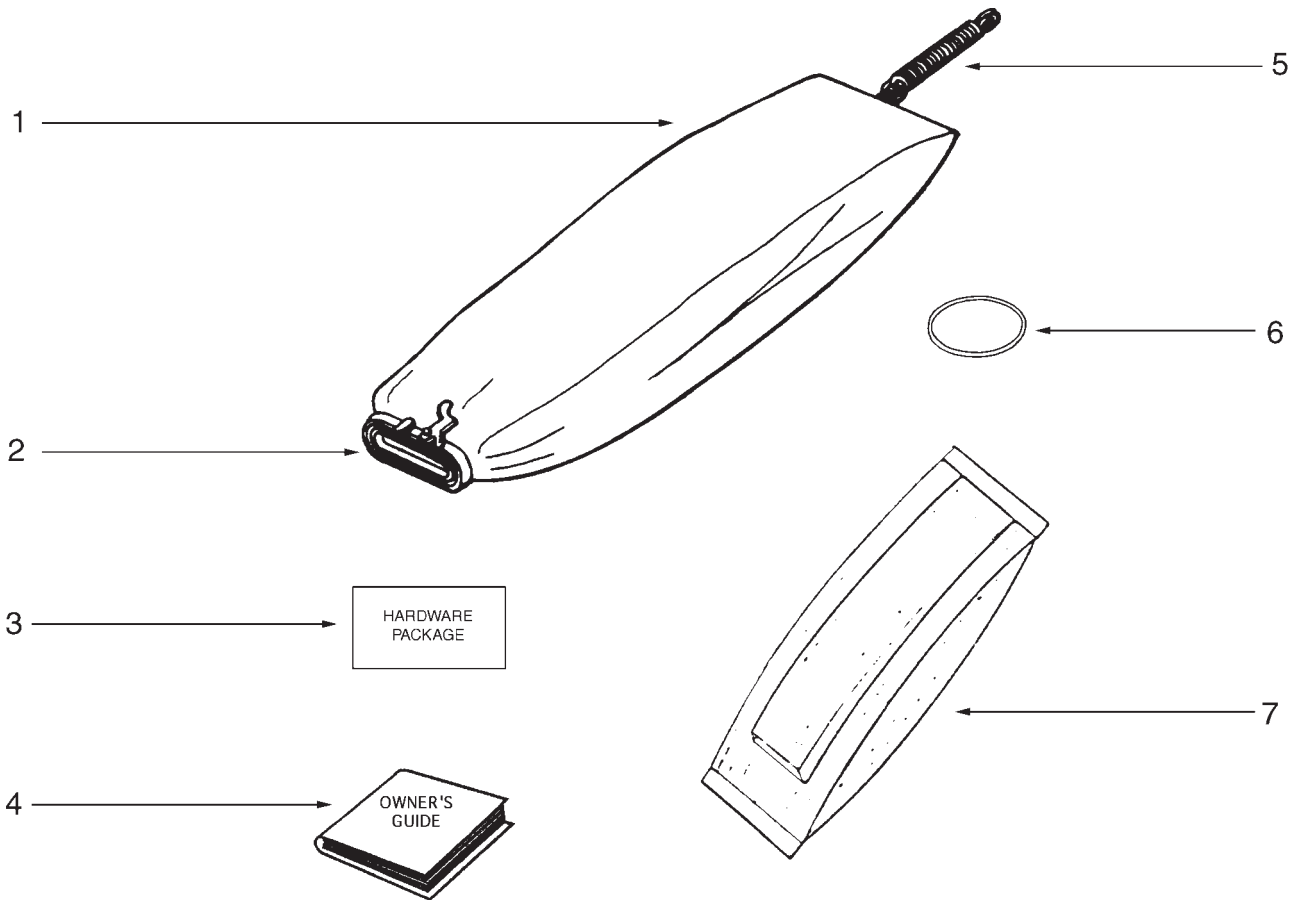
SC888H

- | | | |
|-----|-----------|---------------------------------|
| 1. | 53574-1 | UPPER CORD RETAINER* |
| 2. | 53198-1 | HANDLE SCREW - pkg of 6 |
| 3. | 53574-1 | LOWER CORD RETAINER** |
| 4. | 52370-12 | SUPPLY CORD |
| 5. | 53238-13 | SCREW - pkg of 10 |
| 6. | 38183-1SV | HANDLE SOCKET ASSEMBLY |
| 7. | 53213-5 | NUT - pkg of 10 |
| 8. | 53145 | BOLT - pkg of 10 |
| 9. | 35293-6 | HANDLE GRIP |
| 10. | 53077 | SPRING - pkg of 5 |
| 11. | 25329-16 | UPPER HANDLE ASSEMBLY*** |
| 12. | 12637-8 | LOWER HANDLE TUBE |
| 13. | 53198-1 | SCREW & NUT ASSEMBLY - pkg of 6 |
| 14. | 53238-13 | SCREW - pkg of 10 |
| 15. | 36439 | HANDLE SOCKET SHIELD |

* INCLUDES ITEM 3

** INCLUDES ITEM 1

*** INCLUDES ITEM 9



36575 WIRING DIAGRAM

SC888H

- | | | |
|----|----------|---|
| 1. | 53469-21 | BAG ASSEMBLY* |
| 2. | 36968 | GASKET |
| 3. | 59945A | HARDWARE PACKAGE |
| 4. | 72936 | OWNER'S GUIDE |
| 5. | 47722 | BAG SPRING |
| 6. | 48410 | GARTER SPRING |
| 7. | 57695A | PAPER BAG (STYLE F&G FILTERAIRE) - pkg of 3 |

* INCLUDES ITEMS 2, 5 & 6

Free Manuals Download Website

<http://myh66.com>

<http://usermanuals.us>

<http://www.somanuals.com>

<http://www.4manuals.cc>

<http://www.manual-lib.com>

<http://www.404manual.com>

<http://www.luxmanual.com>

<http://aubethermostatmanual.com>

Golf course search by state

<http://golfingnear.com>

Email search by domain

<http://emailbydomain.com>

Auto manuals search

<http://auto.somanuals.com>

TV manuals search

<http://tv.somanuals.com>