



SYSTEM_PRO

Vacuum Cleaner Owner's Guide

Household Type

Model SP6951



IMPORTANT

Do not return this product to the store. Call 1-800-800-8975* Monday - Friday, 8 am to 7:30 pm CST and 10 am to 6:30 pm Saturday or visit our web site, www.sanitairevac.com for any of the following:

- assembly problems
- replacement of broken or missing items
- to order replacement parts and accessories
- to locate the nearest Sanitaire Warranty Station

*En Mexico llame al 5670-6169.

PLEASE RETAIN

We suggest you record the model, type and serial numbers below. They are located on the silver rating plate on your cleaner. For prompt and complete service information, always refer to these numbers when inquiring about service.

Model & Type _____

Serial No. _____

It is also important to keep your receipt as proof of date of purchase.

www.sanitairevac.com

Index

Service Information	2
Important Safeguards	2
Identify Parts	3
How to Use	3
Accessories.....	3
How to Change Dustbag and Filters	4
How to Replace Brush Roll, Worn Belt or Light Bulb	4
Maintenance and Cleaning	5
Warranty.....	5

GENERAL INFORMATION

To reduce the risk of electric shock, this appliance has a polarized plug (one blade is wider than the other). The plug will fit in a polarized outlet only one way. If the plug does not fit fully in the outlet, reverse the plug. If it still does not fit, contact a qualified electrician to install the proper outlet. Do not change the plug in any way.

The bag may have come dislodged in shipping. Check the bag to insure proper seating before attempting to use the cleaner. Do not operate the cleaner without a dust bag or the filters. Damage may result to the motor (see Dust Bag and Filter).

The cleaner is designed to pick up dirt and dust particles. Avoid picking up hard or sharp objects with the cleaner to avoid bag breakage, hose clogging, or possible motor damage.

Service Information

The instructions in this booklet serve as a guide to routine maintenance. If additional service is required, telephone toll free:

USA: 1-800-800-8975

Mexico: 5670-6169

Canada: 1-800-800-8975

If you prefer, you can write to Electrolux Home Care Products North America, Service Division, P.O. Box 3900, Peoria, Illinois 61612, USA. In Canada write to Electrolux Home Care Products North America, 866 Langs Drive, Cambridge, Ontario N3H 2N7. Refer to The Sanitaire Limited Warranty for complete service information.



DO NOT OIL the motors (in the canister and the motorized nozzle) or the brush roll at any time. The bearings are permanently lubricated and sealed.

IMPORTANT SAFEGUARDS

When using an electrical appliance, basic precautions should always be followed, including the following:

**READ ALL INSTRUCTIONS
BEFORE USING THIS VACUUM CLEANER.**

WARNING

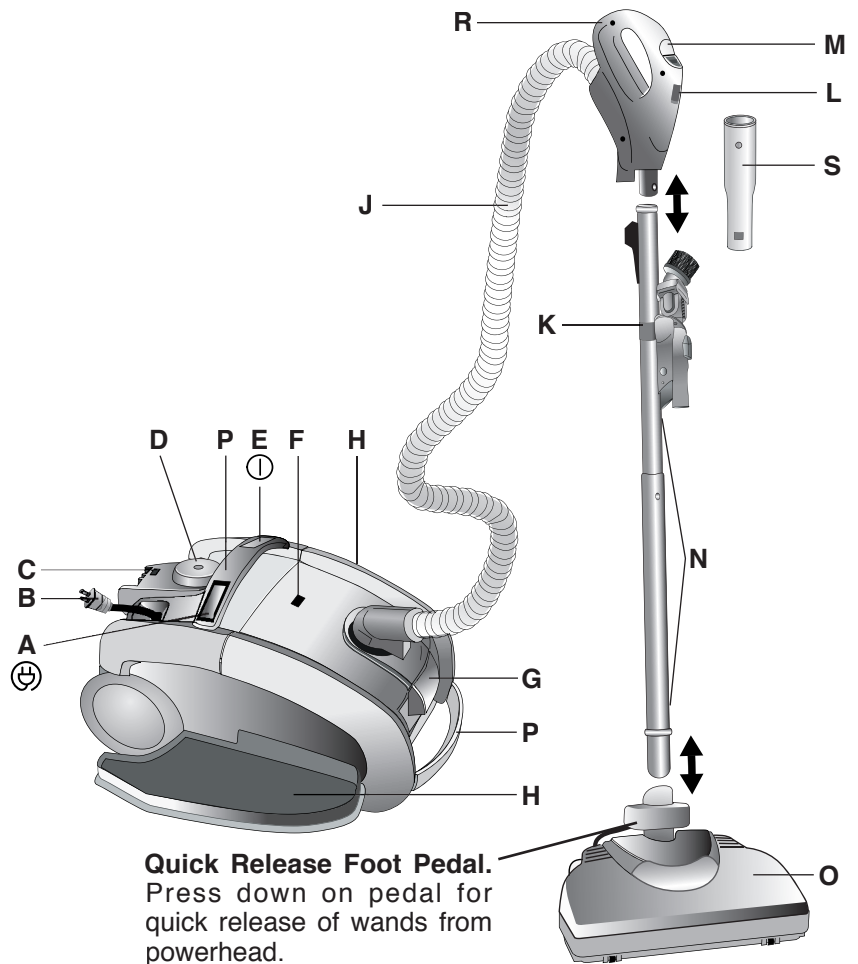
To reduce the risk of fire, electric shock, or injury:

- Do not use outdoors or on wet surfaces.
- **Do not leave vacuum cleaner when plugged in.** Turn off the switch and unplug the electrical cord when not in use and before servicing.
- Do not allow to be used as a toy. Close attention is necessary when used by or near children.
- Use only as described in this manual. Use only manufacturer's recommended attachments.
- Do not use with damaged cord or plug. If vacuum cleaner is not working as it should, has been dropped, damaged, left outdoors, or dropped into water, return it to a service center before using.
- Do not pull or carry by cord, use cord as a handle, close a door on cord, or pull cord around sharp edges or corners. Do not run vacuum cleaner over cord. Keep cord away from heated surfaces.
- Hold plug when rewinding onto cord reel. Do not allow plug to whip when rewinding.
- Do not use extension cords or outlets with inadequate current carrying capacity.
- Turn off all controls before unplugging.
- Always turn off this appliance before connecting or disconnecting either hose or motorized nozzle.
- Do not unplug by pulling on cord. To unplug, grasp the plug, not the cord.
- The hose contains electrical wires. Do not use if damaged, cut or punctured. Avoid picking up sharp objects.
- Do not handle plug or vacuum cleaner with wet hands.
- Do not put any object into openings. Do not use with any opening blocked; keep free of dust, lint, hair, and anything that may reduce airflow.
- This vacuum cleaner creates suction and contains a revolving brush roll. Keep hair, loose clothing, fingers, and all parts of body away from openings and moving parts.
- Do not pick up anything that is burning or smoking, such as cigarettes, matches, or hot ashes.
- Do not use without dust bag in place.
- Belt pulleys can become hot during normal use. To prevent burns, avoid touching the belt pulley when servicing the drive belt.
- Use extra care when cleaning on stairs.
- Do not use to pick up flammable or combustible liquids such as gasoline, or use in areas where they may be present.
- Store your cleaner in a cool, dry area.
- Keep your work area well lighted.
- Unplug electrical appliances before vacuuming them.

SAVE THESE INSTRUCTIONS

Identify Parts

- A Cord rewind button
- B Cord
- C HEPA Filter change indicator
- D Suction power regulator
- E On/Off button
- F Bag change indicator
- G Bag cover latch
- H Right/Left: Retainer lid for optional SYSTEM_PRO accessories
- J Hose
- K Tool caddy with accessories
- L Suction regulator
- M Brushroll On/Off button
- N Plastic wand with connectors (quick release)
- O Powerhead floor nozzle with quick release
- P Carrying handles
- R Power-Touch® Handle
- S Adapter for telescopic wand and optional accessories

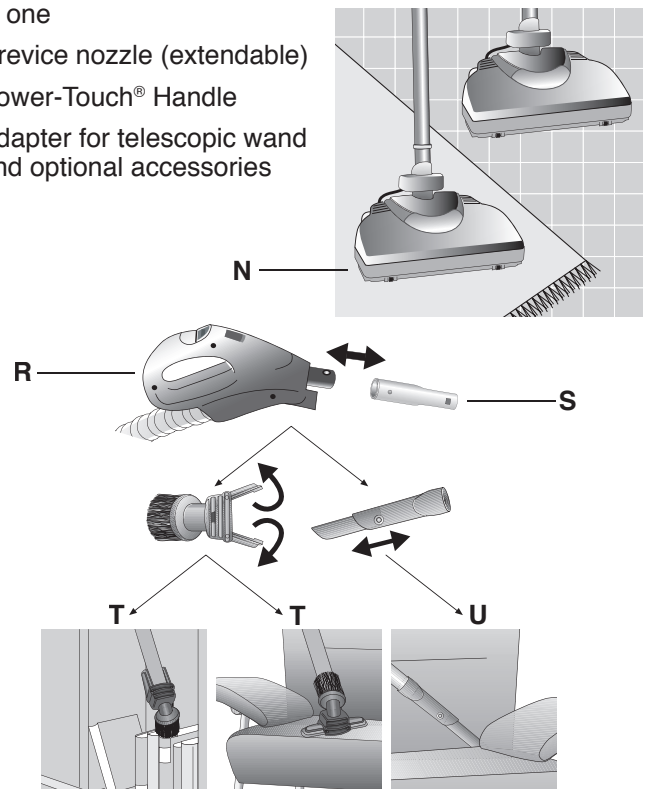


How to Assemble and Use

1. Snap interlocking wands **N** together.
2. Push assembled wands into powerhead nozzle **O**.
3. Place Power-Touch hose handle **R** into wands **N** until plug connects and button locks.
4. Insert hose coupling into top of canister.
5. Pull out and fully extend electrical cord **B** and plug into outlet. (To retract electrical cord, unplug from outlet, hold plug firmly and press button **A**).
6. Step on handle release on back of powerhead nozzle **O** to release handle; pull back to comfortable work position.
7. Turn on/off by pressing button **E**.
8. Set suction power using suction power regulator **D**. The suction can also be reduced by adjusting the suction regulator **L** on handle **R** in order to vary the amount of strength required to push the vacuum cleaner.

Accessories

- N** Powerhead floor nozzle: turn on for carpets, off for bare floors
- T** Combination nozzle: furniture brush and upholstery nozzle in one
- U** Crevice nozzle (extendable)
- R** Power-Touch® Handle
- S** Adapter for telescopic wand and optional accessories



How to Change Dust Bag and Filters

CAUTION: Turn off the switch and unplug the electrical cord before servicing the cleaner. Never operate the vacuum cleaner without the dust bag in place.

NOTE: When cleaning new carpet for the first time, bag will fill quickly. Check often.

Change dust bag **V** when display **F** turns orange (can be checked with the appliance operating at maximum suction and with the nozzle raised from the floor). A change may be necessary even if the bag does not appear to be full. Fine dust can block the pores and reduce the suction power of the appliance.

- Remove hose and open the bag cover lid by pulling release catch **G**.
- Remove dust bag **V** by pulling on the sealing tab.
- Push new dust bag into the retainer until it clicks into place. Take care when closing the dust chamber lid that the dust bag is completely inside the dust chamber border. The dust chamber lid will not close unless a dust bag has been inserted. Please do not use force!
- Change motor filter **Z** if display **F** is still orange after the dust bag has been changed or if the suction power is significantly reduced although the dust bag has little in it.
- Replace hose.
- Press filter cover button **W** and open filter cover **Y**.
- Check HEPA filter often and replace as necessary.
- Replace HEPA filter **X** and close lid.

Use **GENUINE SANITAIRE** replacement motor filter 39811, HEPA Filter, SP012 and bag SP200, package of 5.

How to Replace Brush Roll, Worn Belt or Light Bulb

NOTE: Turn off the switch and unplug the electrical cord before replacing belt or bulb. Pulleys can become hot during normal use. To prevent injury, avoid touching the pulleys when servicing the drive belt.

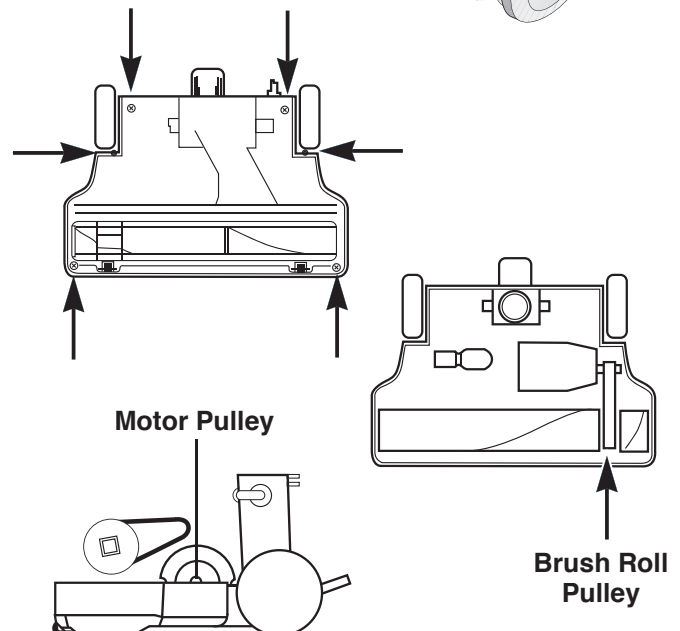
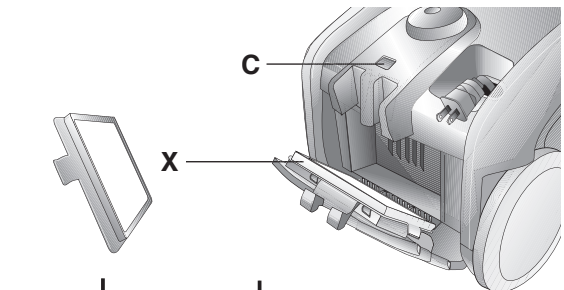
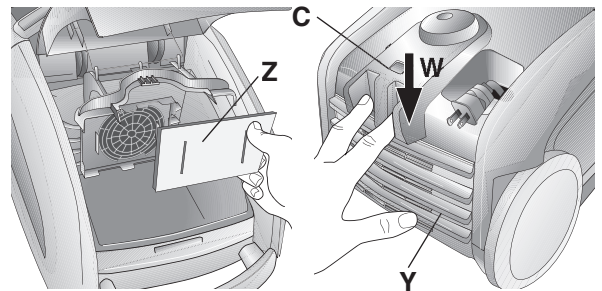
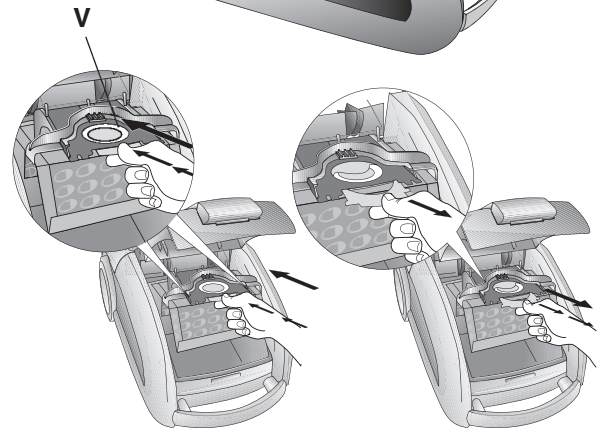
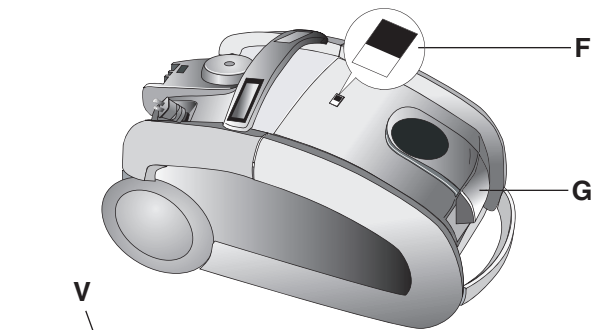
1. Remove six screws from bottom side. Turn unit over; pull up on hood to remove.

Replace light bulb, if necessary. Use GENUINE SANITAIRE replacement bulb, 59045.

Continue to step 2 to change belt or replace brush roll. Skip to step 7 to replace hood.

2. Lift out brush roll and discard used belt.
3. Put new belt around brush roll pulley first; then the motor pulley.
4. Place left end cap into the base.
5. Pull right end of brush roll to stretch belt. Secure right end cap into base.
6. Rotate brush roll at least two turns to seat belt.
7. Position hood; secure with screws.

Use **GENUINE SANITAIRE** replacement belt, 58065A.



Maintenance and Cleaning

For maintenance or cleaning, switch off the vacuum and unplug it from the outlet. As needed, wipe the housing and the bag cover lid with a damp cloth and then dry. Do not use any cleansers or any solvents. Occasionally vacuum the floor nozzle and the accessory brushes with the crevice nozzle.

What to do, if ...

...it is difficult to push the nozzle: Reduce suction power (depending on the type of carpet). This will not noticeably reduce the cleaning efficiency.

...the motor thermal cutoff has tripped: The motor can overheat due to a full dust bag or if the accessory is blocked. Switch off the vacuum, unplug from the outlet, and let the motor cool down. Check dustbag, suction tube and suction hose; remove any blockage. The vacuum can be switched on again after approximately 30 minutes.

...the house fuse has blown: The house fuse can be blown if other electric appliances with a high power consumption are used at the same time and on the same circuit as the vacuum cleaner. If this is the case, plug cord into a different outlet.

...the cord does not retract fully: The cord is caught up on the cord drum. Pull the cord out a little and press the cord rewind button again.

...the dust chamber lid will not close: Check that the dustbag has been inserted. If it has, check that the dustbag has clicked into position.

Protecting the environment

Appliance packaging: We recommend keeping the packaging for the duration of the guarantee so that the appliance can be transported safely.

Recycling the appliance at the end of its life: The plastic components all carry a material identification marking so they can be recycled at the end of the life of the vacuum.

THE SANITAIRE LIMITED WARRANTY

What This Warranty Covers

Your Sanitaire cleaner is warranted to be free from all defects in material and workmanship in normal household use for a period of two years. The warranty is granted only to the original purchaser and members of his or her immediate household. The warranty is subject to the following provisions.

What This Warranty Does Not Cover

- Parts of the cleaner that require replacement under normal use, such as disposable dust bags, filters, drive belts, light bulbs, and brush roll bristles.
- Damages or malfunctions caused by negligence, abuse, or use not in accordance with the Owner's Guide.
- Defects or damages caused by unauthorized service or the use of other than Genuine Eureka/Sanitaire parts.

What Electrolux Home Care Products North America Will Do

Electrolux Home Care Products North America will, at its option, repair or replace a defective cleaner or cleaner part that is covered by this warranty. As a matter of warranty policy, Electrolux Home Care Products North America will not refund the consumer's purchase price.

Extended Warranty for Upright Cleaner (Only)

The base of the Sanitaire Upright cleaner is warranted for five years from the original date of purchase.

Extended Warranty for SYSTEM_PRO Canisters

The motor for SYSTEM_PRO canister cleaners is warranted for five years from the original date of purchase.

Warranty Registration

Please fill out and return the warranty registration card accompanying your cleaner.

Obtaining Warranty Service

To obtain warranty service you must return the defective cleaner or cleaner part along with proof of purchase to any Sanitaire Authorized Warranty Station.

You will find the nearest location in the Yellow Pages, under "Vacuum Cleaners—Service and Repair." Be certain that the Warranty Station is "Sanitaire Authorized."

For the location of the nearest Sanitaire Authorized Warranty Station or for service information, telephone toll free:

USA: 1-800-800-8975

Mexico: 5670-6169

Canada: 1-800-800-8975

If you prefer, you can write to Electrolux Home Care Products North America, Service Division, P.O. Box 3900, Peoria, Illinois 61612, USA. In Canada write to Electrolux Home Care Products North America, 866 Langs Drive, Cambridge, Ontario N3H 2N7.

If it is necessary to ship the cleaner outside your community to obtain warranty repair, you must pay the shipping charges to the Sanitaire Authorized Warranty Station. Return shipping charges will be paid by the Warranty Station. When returning parts for repair, please include the model, type, and serial numbers from the data plate on the cleaner.

Further Limitations and Exclusions

Any warranty that may be implied in connection with your purchase or use of the cleaner, including any warranty of Merchantability or any warranty for Fitness For A Particular Purpose is limited to the duration of this warranty. Some states do not allow limitations on how long an implied warranty lasts, so the above limitations may not apply to you.

Your relief for the breach of this warranty is limited to the relief expressly provided above. In no event shall Electrolux be liable for any consequential or incidental damages you may incur in connection with your purchase or use of the cleaner. Some states do not allow the exclusion or limitation of incidental or consequential damages, so the above limitation or exclusion may not apply to you.

This warranty gives you specific legal rights. You may also have other rights which vary by state.



Questions & Answers about Genuine Eureka/Sanitaire Products

Q: Why should I use only Genuine Eureka/Sanitaire paper bags, belts, and parts in my Eureka/Sanitaire vacuum cleaner?

A: Using Genuine Sanitaire Products, which are made to our exacting specifications and engineered with emphasis on quality, performance, and customer satisfaction, ensures the long life and cleaning efficiency of your vacuum cleaner. Overall, this saves you money and helps to keep your home clean.

Q: How can I be sure I am using only Genuine Eureka/Sanitaire products in my vacuum cleaner?

A: Typically, packaged products and paper bags can be identified by a Eureka or Sanitaire logo. For further identification assistance, you may call our toll-free number, 1-800-800-8975, for the location of a nearby Eureka/Sanitaire Authorized Warranty Station.

Q: Are there any differences between "made to fit" or "imitation" and Genuine Eureka/Sanitaire paper bags, belts, and parts?

A: Yes, there are some very important differences in materials, quality, and reliability. Many customers have mistakenly purchased "imitation" paper bags and parts while thinking they purchased genuine. Unfortunately, many of these customers discovered the differences after they experienced related difficulties.

For Genuine Sanitaire Value, Accept No Imitations!



ELECTROLUX HOME CARE PRODUCTS NORTH AMERICA
Bloomington, Illinois 61701

Household Warranty

SYSTEM_PRO

Guía del propietario
de la aspiradora
tipo doméstico
serie SP6951



IMPORTANTE

No devuelva este producto al negocio donde lo compró. Llame al 1-800-800-8975* de lunes a viernes, 8 am a 7:30 pm (hora estándar central), sábados de 10 am a 6:30 pm, o visite nuestro sitio de internet, por cualquiera de las siguientes razones:

- problemas de ensamblaje
- reposición de ítemes rotos o faltantes
- para ordenar repuestos y accesorios
- para averiguar la dirección del Centro de Garantía de Sanitaire más cercano

GUARDE LA INFORMACIÓN SIGUIENTE

Le sugerimos que registre el modelo, el tipo y el número de serie de la aspiradora en los espacios suministrados más abajo. Encontrará esta información en la placa de datos plateada que tiene la aspiradora. Cuando necesite obtener información completa y rápida en cuanto al servicio de esta aspiradora, remítase a estos números.

Modelo y tipo _____

Número de serie _____

También es importante guardar el recibo para tener prueba de la fecha de compra.

*En Mexico llame al 5670-6169.

www.sanitairevac.com

Índice

Información general	2
Medidas importantes de seguridad	2
Identificación de las piezas	3
Modo de empleo	4
Accesorios	4
Cómo cambiar la bolsa para polvo y el filtro de motor	4
Cómo limpiar el filtro lavable HEPA	4
Cortacircuitos del motor	4
Mantenimiento y limpieza	5
Garantía	5

INFORMACIÓN GENERAL

Para reducir el riesgo de una descarga eléctrica, esta aspiradora cuenta con un enchufe polarizado (uno de los dientes es más ancho que el otro). Este enchufe puede entrar en un tomacorriente polarizado de una sola manera. Si el enchufe no entra del todo en el tomacorriente, dele vuelta. Si todavía no entra, busque un electricista calificado para que instale el tomacorriente correcto. No modifique el enchufe de ninguna manera.

Revise la bolsa para asegurarse de que esté bien asentada antes de intentar usar la aspiradora. No ponga la aspiradora en funcionamiento si no ha colocado la bolsa y los filtros, ya que el motor se puede dañar (ver Bolsa para el polvo y filtro). La bolsa puede haberse desprendido durante el transporte.

La aspiradora está diseñada para recoger suciedad y partículas de polvo. Evite aspirar objetos duros o filosos para evitar la ruptura de la bolsa, el bloqueo de la manguera y posible daño al motor instad of "y el daño del motor".

Información sobre servicio de reparaciones y partes

Las instrucciones en este manual son una guía para el mantenimiento diario. Si necesita información sobre servicio adicional, llame gratis al número:

EE.UU.: 1-800-800-8975

México: 5670-6169

Canadá: 1-800-800-8975

Si lo prefiere, puede escribir a la empresa Electrolux, enviando su correspondencia a la siguiente dirección: Electrolux Home Care Products North America, Service Division, P.O. Box 3900, Peoria, Illinois, 61612, USA. En Canadá, escriba a: Electrolux Home Care Products North America, 866 Langs Drive, Cambridge, Ontario, N3H 2N7. Para obtener información completa en cuanto al servicio, remítase a la Garantía de Sanitaire.



NUNCA PONGA ACEITE en el motor ni en el cepillo circular. Los cojinetes están permanentemente lubricados y sellados herméticamente.

MEDIDAS IMPORTANTES DE SEGURIDAD

Hay precauciones básicas a seguir siempre que se usa un aparato eléctrico, incluyendo las siguientes:

LEA TODAS LAS INSTRUCCIONES ANTES DE USAR ESTA ASPIRADORA.

PRECAUCIÓN

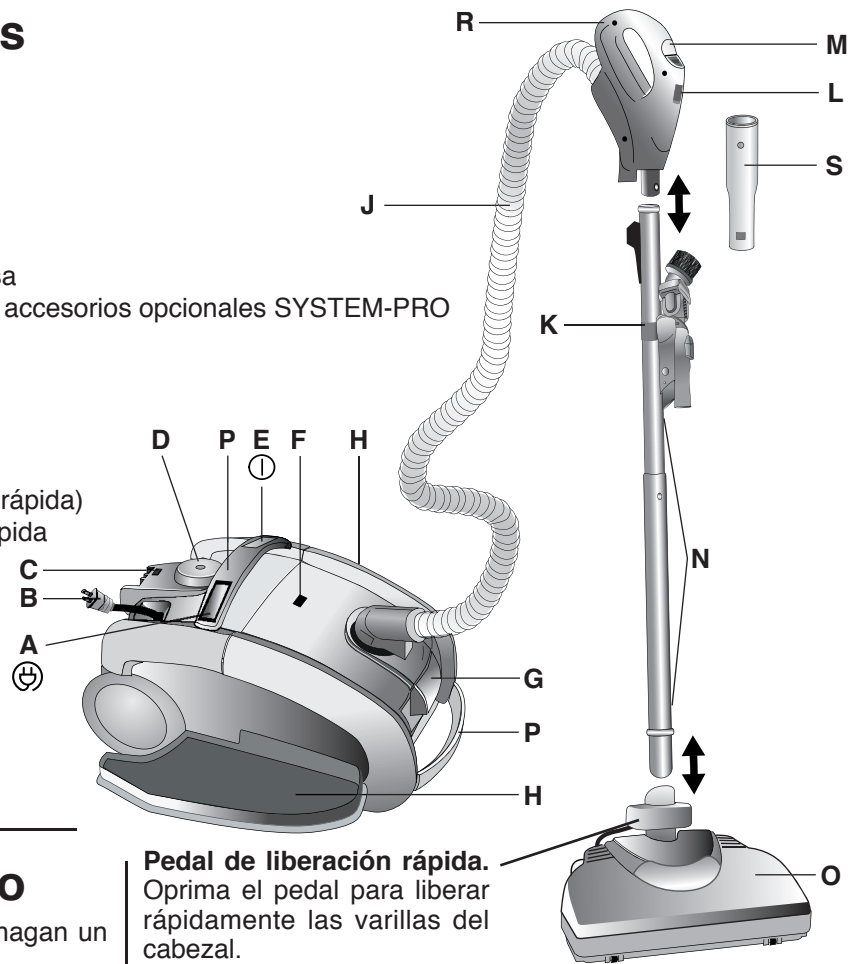
Para reducir el riesgo de incendio, descarga eléctrica o lesiones:

- No use a la intemperie ni sobre superficies mojadas.
- **No deje la aspiradora cuando esté enchufada.** Apague el interruptor de corriente y desenchufe el cordón eléctrico cuando no la esté usando y antes de limpiarla.
- No deje que la aspiradora se use como un juguete. Preste atención especial cuando un niño la usa o cuando un niño esté cerca.
- Úsela sólo como lo indica este manual. Use sólo los accesorios recomendados por el fabricante.
- No la use con un cordón o enchufe en mal estado. Si la aspiradora no funciona bien, si ha recibido un golpe o si está en mal estado, si se ha dejado a la intemperie o se ha mojado, llévela al centro de servicio de reparaciones y partes antes de volver a usarla.
- No hale ni la lleve del cordón, ni use el cordón como un mango. No cierre puertas sobre el cordón ni lo hale de modo que el cordón roce esquinas o bordes filosos. Al usar la aspiradora, no la pase sobre el cordón. Evite la proximidad del cordón a superficies calientes.
- Sostenga el enchufe mientras enrosca el cordón eléctrico en el carretel. No permita que el enchufe se golpee mientras enrosca el cordón.
- No use cordones de extensión o tomacorrientes con menos capacidad de corriente que la necesaria.
- Apague todos los controles antes de desenchufar la aspiradora.
- Apague la aspiradora siempre que tenga que conectar o desconectar la manguera o la boquilla motorizada.
- No desenchufe la aspiradora halando del cordón. Para desenchufarla tome el enchufe, no el cordón.
- La manguera contiene cables eléctricos. No la utilice si está estropeada, perforada o si presenta cortes.
- No toque el enchufe ni la aspiradora con las manos mojadas y no la utilice si no está calzado.
- No coloque ningún objeto en las aberturas. No use la aspiradora si ve que cualquiera de las aberturas está bloqueada; manténgala limpia de polvo, pelusa, cabello o cualquier objeto que impida el paso del aire.
- Esta aspiradora crea succión y está provista de un cepillo circular giratorio. Mantenga el cabello, la ropa suelta, los dedos y las demás partes del cuerpo alejados de las aberturas y partes móviles de la aspiradora.
- No aspire nada que se esté quemando o humeando, como cigarrillos, cerillos o cenizas calientes.
- No use la aspiradora si no ha colocado la bolsa para el polvo y el filtro.
- Las poleas de la correa pueden calentarse durante el uso normal. Para evitar quemaduras, no toque dicha polea cuando cambie la correa de transmisión.
- Tenga cuidado especial al limpiar las escaleras.
- No use la aspiradora para aspirar líquidos inflamables o combustibles tales como la gasolina, y tampoco la use en áreas donde pueda haberlos.
- Guarde su aspiradora bajo techo en un lugar fresco y seco.
- Asegúrese de que el área donde use su aspiradora tenga buena luz.
- Desconecte los aparatos eléctricos antes de pasarles la aspiradora.

GUARDE ESTAS INSTRUCCIONES

Identificación de las piezas

- A Botón para enroscar el cordón eléctrico
- B Cordón eléctrico
- C Indicador de cambio del filtro
- D Regulador de potencia de la succión
- E Botón de encendido/apagado
- F Indicador de cambio de bolsa
- G Pestillo de la tapa del compartimento de la bolsa
- H Izquierda/Derecha: Tapa del compartimento de accesorios opcionales SYSTEM-PRO
- J Manguera
- K Porta utensilios
- L Regulador de succión
- M Perilla para prender (ON) y apagar (OFF) el cepillo circular
- N Tubo de plástico con conectores (de liberación rápida)
- O Boquilla motorizada para pisos de liberación rápida
- P Manijas para transportar
- Q Tubo telescópico
- R Mango Power-Touch®
- S Adaptador para el tubo telescópico y los accesorios opcionales



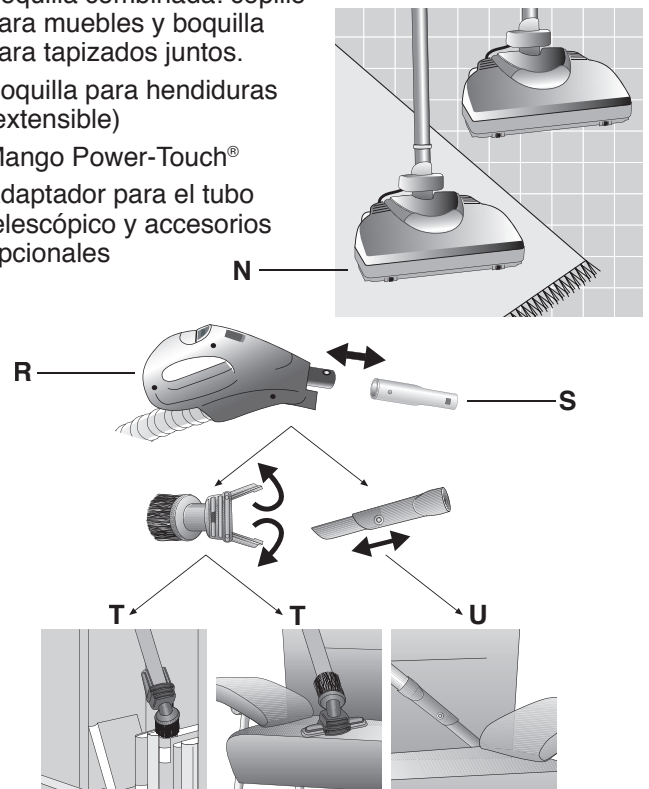
Modo de Montaje y Empleo

1. Una las varillas haciendo presión hasta que hagan un ruido seco **N**.
2. Inserte las varillas ya armadas dentro de la boquilla eléctrica **O**.
3. Coloque la manija Power-Touch de la manguera **R** dentro de la varilla hasta que el enchufe **N** haga contacto y el botón quede bien enganchado.
4. Inserte el acoplamiento de la manguera en la parte superior del receptáculo.
5. Hale hacia afuera el cordón eléctrico **B** y enchúfelo en el tomacorriente. (Para volverlo a enroscar, desenchúfelo del tomacorriente, sostenga firmemente el enchufe y oprima el botón **A**.)
6. Oprima con el pie el pedal que se encuentra en la boquilla motorizada para liberar el mango, y muévelo hacia atrás hasta obtener una posición de trabajo que sea cómoda.
7. Encienda o apague la aspiradora oprimiendo el botón **E**.
8. Determine la potencia de succión utilizando el regulador **D**. La succión también se puede reducir regulando el regulador **L** de succión ubicado en el mango **R** para variar la cantidad de potencia requerida a fin de empujar la aspiradora.

Pedal de liberación rápida.
Oprima el pedal para liberar rápidamente las varillas del cabezal.

Accesorios

- N** Boquilla motorizada para pisos: préndala para limpiar alfombras, apáguela para limpiar pisos sin alfombra.
- T** Boquilla combinada: cepillo para muebles y boquilla para tapizados juntos.
- U** Boquilla para hendiduras (extensible)
- R** Mango Power-Touch®
- S** Adaptador para el tubo telescópico y accesorios opcionales



Cómo cambiar la bolsa para polvo y el filtro del motor

PRECAUCIÓN: Apague el interruptor y desenchufe el cordón eléctrico antes de reparar la aspiradora. No ponga la aspiradora en funcionamiento si no se ha instalado la bolsa para el polvo.

NOTA: Cuando aspire una alfombra nueva por primera vez, la bolsa se llenará rápidamente. Revísela con frecuencia.

- Cambie la bolsa para polvo **V** cuando el indicador **F** se pone anaranjado (lo puede verificar con la aspiradora funcionando a máxima succión y la boquilla lejos del piso). Puede que necesite cambiar la bolsa aún cuando no parezca estar llena. El polvo fino puede taponar los poros y reducir la potencia de succión de la aspiradora.
- Quite la manguera y abra la tapa que cubre la bolsa, tirando del pestillo de liberación **G**.
- Retire la bolsa para el polvo **V** tirando de la lengüeta de sellado.
- Empuje la nueva bolsa dentro del dispositivo de retención hasta que encaje en su lugar. Cuando vaya a cerrar la tapa del compartimento, tenga cuidado de que la bolsa se encuentre completamente dentro del borde del mismo. La tapa no cerrará a menos que la bolsa se encuentre completamente insertada. ¡Por favor, no la fuerce!
- Cambie el filtro **Z** del motor si el indicador **F** sigue anaranjado después de haber cambiado la bolsa para polvo o si la potencia de la succión se ha reducido significativamente a pesar de que la bolsa para polvo tiene poco adentro.
- Vuelva a colocar la manguera.
- Cambie la manguera.
- Oprima el botón **W** de la cubierta del filtro y abra la tapa del filtro **Y**.
- Chequee el filtro HEPA con frecuencia y cámbielo según sea necesario.
- Cambie el filtro HEPA **X** y cierre la tapa.

Use de repuesto el filtro del motor 39811, filtro HEPA, SP012 y bolsa SP200, paquete de 5, GENUINOS DE SANITAIRE.

Cómo cambiar el cepillo circular, la correa gastada o el foco de luz

NOTA: Apague el interruptor y desenchufe el cordón eléctrico antes de cambiar la correa o el foco. Las poleas pueden calentarse durante el uso normal. Para prevenir lesiones, evite tocar las poleas cuando le hace mantenimiento a la correa de transmisión.

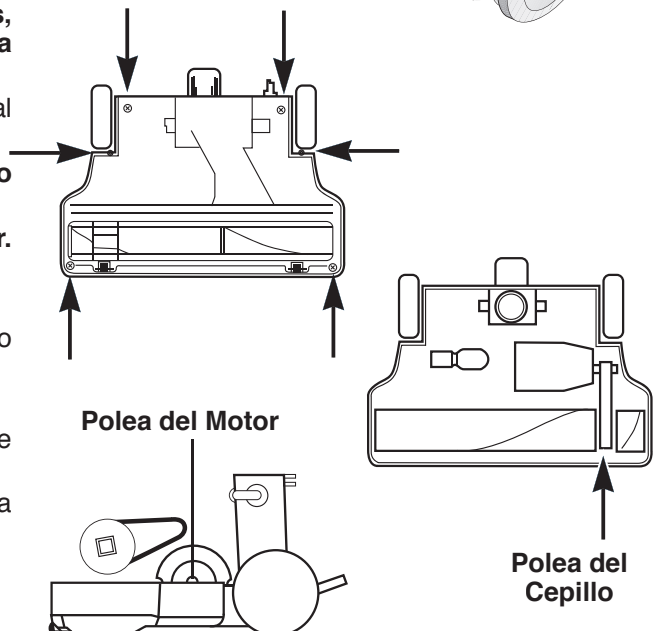
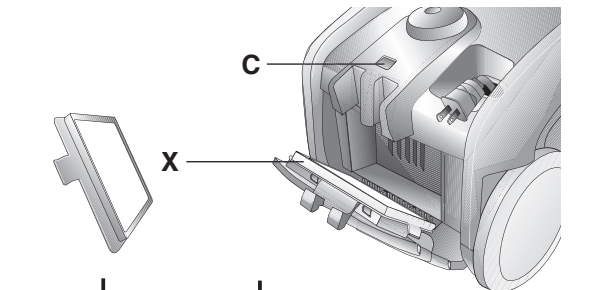
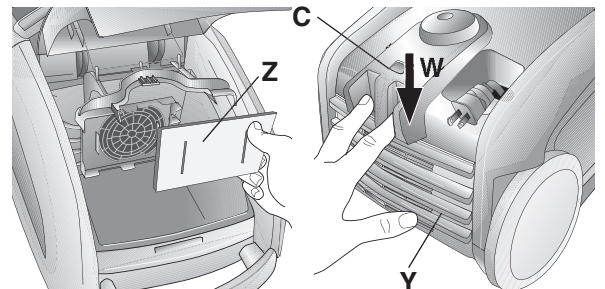
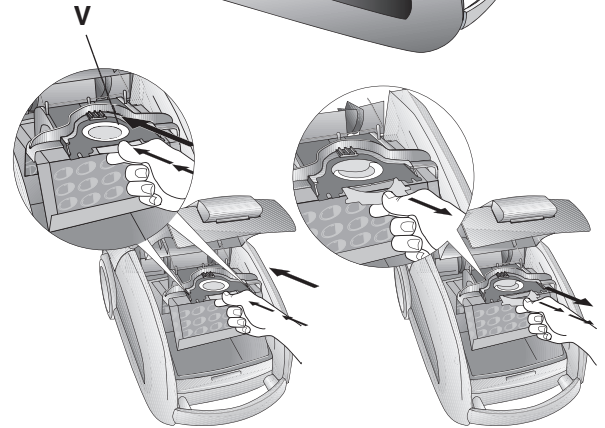
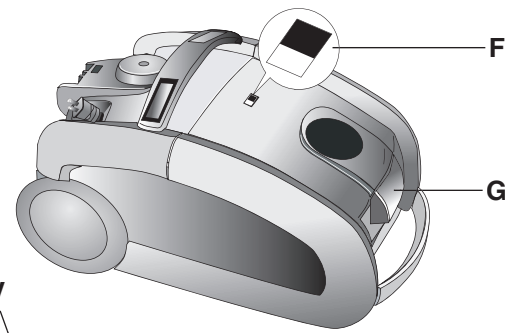
1. Quite los seis tornillos de la parte de abajo. Ponga la máquina al revés; levante la tapa para quitarla.

De ser necesario, cambie el foco de luz. Use el foco de repuesto 59045 GENUINO DE EUREKA.

Siga con el paso 2 para cambiar la correa o el cepillo circular. Salte al paso 7 para volver a colocar la tapa.

2. Levante y saque el cepillo circular y descarte la correa usada.
3. Coloque primero la correa nueva alrededor de la polea del cepillo circular; luego de la polea del motor.
4. Coloque el capicete del extremo izquierdo dentro de la base.
5. Jale el extremo derecho para estirar la correa. Asegure el capicete del extremo derecho del cepillo circular dentro de la base.
6. Haga girar el cepillo circular como mínimo dos vueltas enteras para asentar la correa.
7. Posicione la tapa; asegúrela con los tornillos.

Use la correa de repuesto 58065A GENUINA DE SANITAIRE.



Mantenimiento y limpieza

Para llevar a cabo el mantenimiento o la limpieza de la aspiradora, apáguela y desenchufe el cordón eléctrico del tomacorriente. Según sea necesario, limpie el armazón y la tapa del compartimento de la bolsa para polvo con un trapo húmedo y luego séquelos. No utilice ningún tipo de limpiador ni solvente. aspire ocasionalmente la boquilla para el piso y los cepillos accesorios con ayuda de la boquilla para hendiduras.

Qué debe hacer si ...

... le es difícil empujar la boquilla: Reduzca la potencia de succión (dependiendo del tipo de alfombra). Esto no reducirá visiblemente la eficiencia de aspiración.

...se activó el corte térmico del motor: El motor puede recalentarse si la bolsa para polvo está llena o si el accesorio está bloqueado. Apague la aspiradora, desenchúfela del tomacorriente y deje enfriar el motor. Revise la bolsa para polvo, el tubo de succión y la manguera de succión; quite cualquier obstrucción que hubiera. Puede volver a prender la aspiradora después de unos 30 minutos.

...saltó el fusible de la casa: El fusible de la casa puede saltar si se usan el mismo tiempo y en el mismo circuito otros artefactos eléctricos de alto consumo eléctrico. De ser éste el caso, enchufe el cordón en otro tomacorriente.

... el cable no se vuelve a enroscar completamente: El cable se encuentra atrapado en el tambor del cordón. Tire del cable hacia afuera un poco y vuelva a oprimir el botón A.

... la tapa del compartimento de la bolsa para el polvo no cierra: Verifique que la bolsa para el polvo esté insertada en su lugar. De ser así, asegúrese de que la misma se haya encajado en la posición correcta.

Protección del medio ambiente

Embalaje de la aspiradora: Recomendamos conservar el embalaje por el período de tiempo que cubre la garantía a fin de poder transportar el artefacto de una manera segura.

Reciclaje de la aspiradora al final de su vida útil: Todos los componentes plásticos llevan una marca de identificación del material para que, se puedan reciclar al final de la vida útil de la aspiradora.

GARANTÍA LIMITADA SANITAIRE

Lo que cubre esta garantía

Su aspiradora Sanitaire está garantizada contra todo defecto de material y mano de obra durante su uso normal en el hogar por un período de dos años. La garantía se otorga sólo al comprador original y a los miembros de su familia inmediata. Esta garantía está sujeta a las siguientes disposiciones.

Lo que no cubre esta garantía

- Las piezas de la aspiradora que deban reemplazarse durante el uso normal, tales como las bolsas para polvo descartables, los filtros, las correas de impulsión, los bombillos eléctricos, las cerdas del cepillo circular y los impulsores. Esta garantía tampoco cubre la limpieza de la aspiradora.
- Los daños o las averías que hayan sido causados por negligencia, abuso o uso que no esté de acuerdo con la Guía del propietario.
- Los defectos o daños que hayan sido causados por un taller de servicio no autorizado o el uso de piezas que no sean genuinas de Eureka/Sanitaire.

Lo que hará la compañía Electrolux Home Care Products North America

La compañía Electrolux Home care Products North America, a su elección, reparará o reemplazará cualquier aspiradora o pieza defectuosa que se encuentre cubierta por esta garantía. Por política de la garantía, la compañía Electrolux Home care Products North America no devolverá el precio de compra al consumidor.

Garantía extendida para aspiradoras verticales (solamente)

La base de la aspiradora vertical Sanitaire está garantizada durante cinco años a partir de la fecha original de compra.

Garantía ampliada para el envase de la aspiradora rodante SYSTEM-PRO

El motor en el envase de las aspiradoras rodantes SYSTEM-PRO cuenta con una garantía de cinco años desde la fecha original de compra.

Registro de la garantía

Tenga la bondad de llenar y enviar la tarjeta de registro de la garantía que acompaña a su aspiradora.

Cómo obtener servicio bajo la garantía

Para obtener servicio mientras el producto se encuentra bajo garantía, debe enviar la aspiradora o pieza defectuosa, junto con una prueba de compra, a cualquier Estación de Garantía Autorizada de Sanitaire.

Puede encontrar la estación más cercana en las Páginas Amarillas, bajo el encabezado "Vacuum Cleaners - Service and Repairs". Asegúrese de que la Estación de Garantía esté "Autorizada por Sanitaire".

Para obtener la dirección de la Estación de Garantía Autorizada de Sanitaire más cercana o para obtener información sobre servicio, llame gratuitamente a los siguientes teléfonos:

Estados Unidos: 1-800-800-8975

México: 5670-6169

Canadá: 1-800-800-8975

Si lo prefiere, puede escribir a la empresa Electrolux enviando su correspondencia a la siguiente dirección: Electrolux Home Care Products North America, Service Division, P.O. Box 3900, Peoria, Illinois 61612, USA. En Canadá, escriba a: Electrolux Home Care Products North America, 866 Langs Drive, Cambridge, Ontario, N3H 2N7.

Si tiene que enviar la aspiradora fuera de su localidad para que la reparen mientras se encuentra bajo garantía, usted deberá pagar los gastos de envío hacia la Estación de Garantía Autorizada de Sanitaire. Los gastos de envío de regreso serán abonados por la Estación de Garantía. Cuando envíe piezas que necesiten reparación, tenga la bondad de incluir el modelo, el tipo y el número de serie que aparecen en la placa de datos de la aspiradora.

Limitaciones y exclusiones adicionales

Cualquier garantía implícita en relación con la compra o el uso de su aspiradora, incluyendo cualquier garantía de Comerciability o de Aptitud para una finalidad determinada, está limitada a la duración de esta garantía. Algunos estados no aceptan limitaciones en cuanto a la duración de una garantía implícita, de modo que es posible que las limitaciones anteriores no se apliquen en su caso.

Su compensación por el incumplimiento de esta garantía está limitada a la compensación expresamente dispuesta arriba. En ningún caso será responsable Electrolux por los daños emergentes o incidentales en los que usted pueda incurrir en relación con la compra o el uso de la aspiradora. Algunos estados no aceptan la exclusión o limitación de los daños emergentes o incidentales, de modo que es posible que las limitaciones o exclusiones anteriores no se apliquen en su caso.

Esta garantía le proporciona derechos legales específicos. Puede que tenga otros derechos adicionales, que varían de acuerdo al estado donde reside.



Preguntas y respuestas sobre los productos genuinos Eureka/Sanitaire

P: ¿Por qué debo usar sólo bolsas de papel, correas y piezas genuinas en mi aspiradora eléctrica Eureka/Sanitaire?

R: El uso de productos genuinos Eureka/Sanitaire, fabricados de acuerdo con nuestras especificaciones exactas y diseñados poniendo énfasis en la calidad, el rendimiento y la satisfacción del cliente, asegura una larga vida útil para su aspiradora y una alta eficiencia en el limpiado. En general, esto le ahorra dinero y le ayuda a mantener limpio su hogar.

P: ¿Cómo me aseguro de estar usando sólo productos genuinos Eureka/Sanitaire en mi aspiradora?

R: Típicamente, los productos empacados y las bolsas de papel llevan el símbolo de "Genuine Eureka/Sanitaire Product", que le indica que es un producto genuino (Vea la ilustración anterior). Si necesita más ayuda con la identificación de productos genuinos Eureka, puede llamar a nuestro número gratuito 1-800-800-8975, donde podrá obtener la dirección de la Estación de Garantía Autorizada de Eureka más cercana.

P: ¿Hay alguna diferencia entre las bolsas de papel, las correas y las piezas que son "hechas a medida" o de "imitación" y las piezas genuinas de Eureka/Sanitaire?

R: Sí, hay algunas diferencias muy importantes en cuanto a material, calidad y confiabilidad. Muchos clientes por error han adquirido bolsas de papel y piezas de "imitación", pensando que eran auténticas. Desgraciadamente, muchos de ellos descubrieron las diferencias después de experimentar problemas relacionados con las mismas.

¡Si busca el valor genuino de Eureka/Sanitaire, no acepte imitaciones!



ELECTROLUX HOME CARE PRODUCTS NORTH AMERICA

Bloomington, Illinois 61701

Garantía para el hogar

Entretien et nettoyage

Pour l'entretien et le nettoyage, mettez l'appareil à l'arrêt et débranchez-le. Au besoin, essuyez son boîtier et le couvercle du compartiment du sac avec un chiffon humide. Ensuite, séchez-le. N'utilisez pas un produit de nettoyage ou du solvant. De temps à autre, nettoyez la buse de plancher et les différentes brosses avec l'outil à coin.

Que faire si...

...il est difficile de pousser la buse de plancher : Réduisez la puissance d'aspiration (selon le type de tapis). Ceci ne réduira pas de façon visible l'efficacité de nettoyage.

...le dispositif d'arrêt thermique du moteur s'est déclenché : Ceci se produit à la suite d'une surcharge du moteur quand le sac à poussière est plein ou un accessoire, bloqué. Mettez l'appareil à l'arrêt, débranchez-le et laissez le moteur se refroidir. Vérifiez le sac à poussière, le tube d'aspiration et le boyaux; retirez toute obstruction. L'aspirateur peut être remis en marche après environ 30 minutes.

...le fusible a sauté : Le fusible peut sauter si d'autres appareils électriques gourmands en énergie sont utilisés en même temps que l'aspirateur et sur le même circuit. Si cela est le cas, branchez le cordon dans une autre prise.

...le cordon ne s'enroule pas complètement : Le cordon peut être pris dans son dévidoir. Tirez à nouveau sur le cordon puis appuyez sur le bouton A.

...le couvercle du compartiment à poussière ne se ferme pas : Vérifiez si un sac à poussière a été introduit. Le cas échéant, vérifiez que le sac à poussière est bien installé.

Protection de l'environnement

Emballage de l'appareil : Nous vous recommandons de garder l'emballage de cet appareil pendant toute la durée de la garantie, ce qui permettra, au besoin, de transporter l'appareil en sécurité.

Recyclage de l'appareil à la fin de sa vie utile : Les éléments plastiques comportent tous une identification de matériau; ainsi, comme pour les autres matériaux, ils pourront être recyclés à la fin de la vie utile de l'aspirateur.

LA GARANTIE LIMITÉE SANITAIRE

Ce que couvre la garantie

L'aspirateur Eureka/Sanitaire est garanti exempt de tout vice de matière et de fabrication lors d'une utilisation domestique normale pendant une période de deux ans. La garantie est accordée à l'acheteur initial seulement et aux membres immédiats de son foyer. La garantie est soumise aux conditions suivantes.

Ce que la garantie ne couvre pas

- Les pièces de l'aspirateur devant être remplacées après un usage normal, comme sacs à poussière, filtres, ampoules, filtres de rouleau-brosse, rouleaux et nettoyeurs.
- Les défauts de fonctionnement ou dommages découlant d'une négligence, d'un mauvais traitement ou d'un emploi non conforme avec le guide du propriétaire.
- Les dommages ou détériorations causés par un entretien non autorisé ou l'utilisation de pièces autres que des pièces Eureka/Sanitaire authentiques.

Responsabilités de Electrolux Home Care Products North America

Electrolux Home Care Products North America réparera ou remplacera, à son gré, un aspirateur

remboursés par le prix d'achat au consommateur.

Garantie prolongée pour les aspirateurs verticaux (seulement)

La base de l'aspirateur vertical sanitaire est garantie pendant cinq ans à compter de la date

d'achat initial.

Garantie prolongée pour aspirateur traineau SYSTEM PRO

Le moteur des aspirateurs traineau SYSTEM PRO continue sous garantie pendant 5 ans après

la date de l'achat.

Enregistrement de la garantie

Vous devrez remplir et renvoyer la carte d'enregistrement de la garantie accompagnant votre aspirateur.

Comment obtenir le service après-vente de garantie

Pour obtenir le service après-vente de garantie, il faut retourner l'aspirateur ou les pièces

à l'adresse indiquée sur le formulaire d'achat, à l'importer quel centre de

service après-vente agréé de garantie Sanitaire.

Consultez les pages jaunes sous la rubrique «Aspirateurs Entretien et réparations». Assurez-

vous que le centre de service après-vente agréé est bien un centre de service après-vente de

garantie agréé «Sanitaire».

Pour le centre de service après-vente agréé de garantie Sanitaire le plus proche ou des

renseignements sur le service après-vente, composez sans frais le :

E.-U. : 1-800-800-8975

Mexique : 5670-6169

Canada : 1-800-800-8975

Si vous préférez, vous pouvez écrire à Electrolux Home Care Products North America, Service

Division, P.O. Box 3900, Peoria, Illinois, 61612 aux E.-U. Au Canada, Electrolux Home Care

Products North America, 866 Langs Drive, Cambridge, Ontario, N3H 2N7.

S'il est nécessaire d'expédier l'aspirateur à l'extérieur de sa région pour des réparations sous

garantie, le propriétaire doit assumer les frais d'expédition au centre de service après-vente

agréé Sanitaire. Les frais d'expédition de retour seront payés par le centre de service après-

vente.

Lors de l'envoi de pièces à réparer, indiquez le modèle, le type et le numéro de série de la

plaque d'identification sur l'aspirateur.

Autres restrictions et exclusions

Toute garantie qui peut être implicite relativement à l'achat ou à l'utilisation de cet aspirateur,

incluant toute garantie de qualité marchande ou d'aptitude à effectuer une tâche particulière, est

limitée à la durée de cette garantie. Certains provinces ne permettant pas de restrictions quant

à la durée d'une garantie implicite, les restrictions ci-dessus peuvent ne pas s'appliquer.

Voire recours en cas de non-respect de cette garantie est limité à celui mentionné ci-dessus.

Electrolux ne peut en aucun cas être tenue responsable de tout dommage direct ou fortuit

résultant de l'achat ou de l'utilisation de cet aspirateur. Certains provinces ne permettant

pas l'exclusion ou les restrictions de dommages indirects ou fortuits, les restrictions ci-dessus

peuvent ne pas s'appliquer.

Cette garantie donne droit à des recours légaux spécifiques et est également susceptible

d'accorder d'autres droits variant d'une province à l'autre.



Questions et réponses sur les produits Eureka/Sanitaire authentiques

Q : Pourquoi dois-je utiliser seulement des pièces Eureka/Sanitaire (comme sacs

en papier, courroies) sur mon aspirateur Eureka/Sanitaire?

R : L'utilisation des produits Eureka/Sanitaire authentiques, fabriqués selon nos

spécifications rigoureuses et conçus en mettant l'accent sur la qualité, la

performance et la satisfaction du client, assure la longue durée et l'efficacité

de nettoyage de votre aspirateur. En général, ceci vous économise de l'argent

Q : Comment puis-je m'assurer que je n'utilise que les produits Eureka/Sanitaire authentiques

sur mon aspirateur?

R : Les produits emballés et les sacs en papier peuvent être identifiés par

le symbole «Produit Eureka/Sanitaire Authentique» (Genuine Eureka/

Sanitaire Product) (voyez l'illustration ci-dessus). Pour plus d'assistance

sur l'identification, vous pouvez composer le numéro sans frais 1-800-800-

8975 afin d'obtenir l'emplacement d'un centre de service après-vente agréé

Eureka/Sanitaire dans votre région.

Q : Y a-t-il des différences entre les pièces «conçues pour s'adapter» et celles «d'imitation»,

et les sacs en papier, courroies et pièces Eureka/Sanitaire authentiques?

R : Oui, il y a des différences très importantes dans les matériaux, la qualité

et la fiabilité. Nombreux sont les clients qui ont acheté des sacs en papier

et des pièces «d'imitation», tout en pensant qu'ils ont acheté les produits

Eureka/Sanitaire authentiques. Malheureusement, beaucoup d'entre eux

n'ont découvert les différences qu'après avoir eu des problèmes découlant

de l'emploi de ces articles non authentiques.

Pour la valeur Sanitaire authentique, n'acceptez pas d'imitations!



ELECTROLUX HOME CARE PRODUCTS NORTH AMERICA

Bloomington, Illinois 61701

Garantie ménage

Changement du sac à poussière et du filtre du moteur

AVERTISSEMENT : Mettez l'interrupteur à l'arrêt et débranchez l'appareil avant d'entreprendre tout travail d'entretien. N'utilisez jamais l'appareil sans le sac à poussière.

REMARQUE : Lors du premier nettoyage d'un tapis neuf, le sac à poussière peut se remplir rapidement. Vérifiez-le souvent.

Changez le sac V quand le voyant F s'allume (ceci peut également être vérifié quand l'appareil est à sa puissance d'aspiration maximale et la buse éloignée du sol). Un changement peut être nécessaire même si le sac ne semble pas être plein. La poussière fine peut encrasser les pores du sac et réduire le niveau d'aspiration de l'appareil.

- Enlevez le boyaux et ouvrez le couvercle du sac en tirant sur le loquet G.
- Enlevez le sac à poussière V en tirant sur la languette.

Introduisez un sac à poussière neuf dans la retenue jusqu'à ce qu'il s'enclenche. Assurez-vous que le sac à poussière se trouve complètement à l'intérieur de son logement lors de la fermeture du couvercle. Le couvercle ne se fermera pas tant qu'un sac à poussière ne sera pas bien installé. Si il vous plat, ne forcez pas!

- Changez le filtre du moteur Z si le voyant F est toujours orange même après le changement du sac à poussière ou si l'aspiration est faible bien que le sac ne contienne que peu de poussière.

- Appuyez le bouton W du couvercle du filtre et ouvrez le couvercle du filtre Y.
- Remettez le boyaux en place.
- Remettez le filtre et son couvercle en place.

- Appuyez le bouton W du couvercle du filtre et ouvrez le couvercle du filtre Y.
- Contrôlez régulièrement le filtre HEPA et remplacez-le si nécessaire.

- Remettez le filtre HEPA X en place et fermez le couvercle.
- Utilisez les pièces de rechange GENUINE SAINITAIRE : filtre moteur 39811, filtre HEPA SP012 et sacs à poussière, paquet de 5, SP 200.

Remplacemnt du rouleau-brosse, d'une courroie usée ou de l'ampoule

REMARQUE : Mettez l'interrupteur à l'arrêt et débranchez l'appareil avant de remplacer la courroie ou l'ampoule. Les poulies peuvent devenir chaudes lors de l'usage normal. Pour éviter des blessures, évitez de toucher les poulies lors de travaux d'entretien sur la courroie.

1. Enlevez les six vis du bas de l'aspirateur. Retournez l'appareil et soulevez le capot pour l'enlever.

Remplacez l'ampoule, si nécessaire. Utilisez une ampoule de rechange, GENUINE SAINITAIRE, 59045.

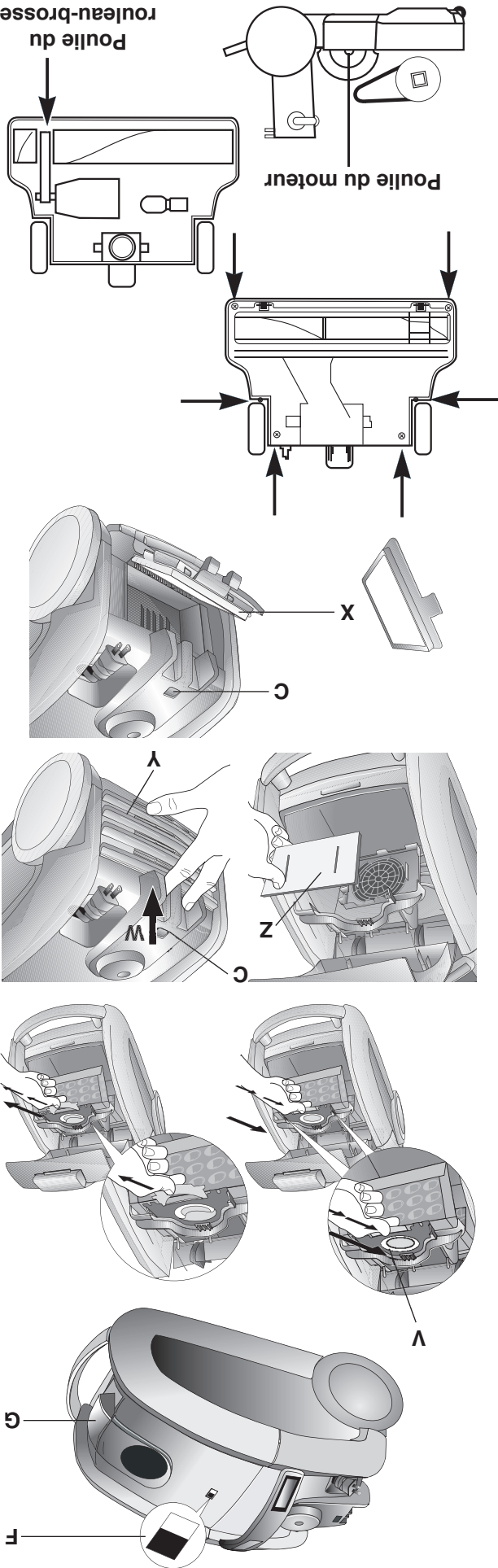
2. Enlevez le rouleau-brosse et jetez la courroie usée.

3. Placez la nouvelle courroie autour de la poulie du rouleau-brosse d'abord, ensuite autour de la poulie du moteur.
4. Insérez la capsule gauche du rouleau-brosse dans la base de l'aspirateur.

5. Tirez le bout droit du rouleau-brosse pour tendre la courroie. Fixez la capsule droite dans la base de l'aspirateur.
6. Faites tourner au moins deux fois le rouleau-brosse pour bien mettre la courroie en place.

7. Remettez le capot et fixez avec les vis.

Utilisez une courroie de rechange GENUINE SAINITAIRE, 58065A.

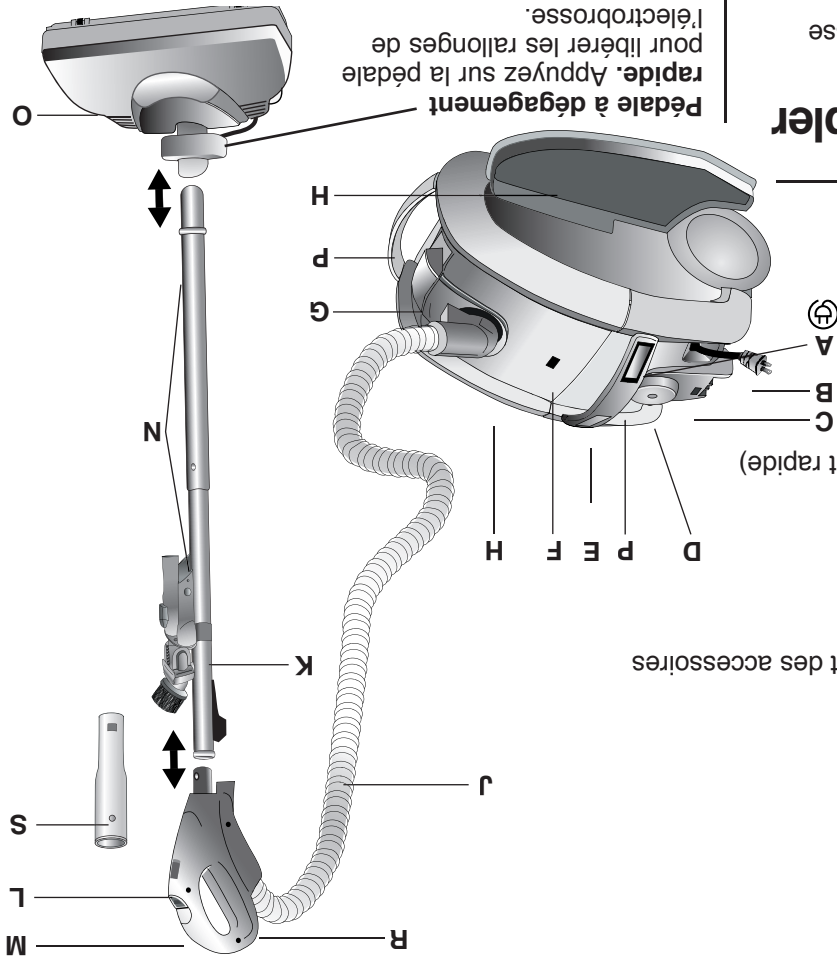


Identification des pièces

- A Bouton de l'enrouleur automatique du cordon
- B Cordon
- C Indicateur de changement du filtre HEPA
- D Régulateur d'aspiration
- E Bouton Marche/Arrêt
- F Indicateur de changement du sac
- G Loquet du couvercle du sac
- H A droite et à gauche : couvercle du compartiment des accessoires
- SYSTEM_PRO (en option)
- J Boyau
- K Porte-accessoires
- L Régulateur d'aspiration
- M Interrupteur du rouleau-brosse
- N Bâton en plastique avec raccords (à dégagement rapide)
- O Buse de plancher à dégagement rapide
- P Poignées de transport
- R Poignée Power-Touch®
- S Adaptateur pour la tube télescopique et les accessoires en option

Comment utiliser et s'assembler

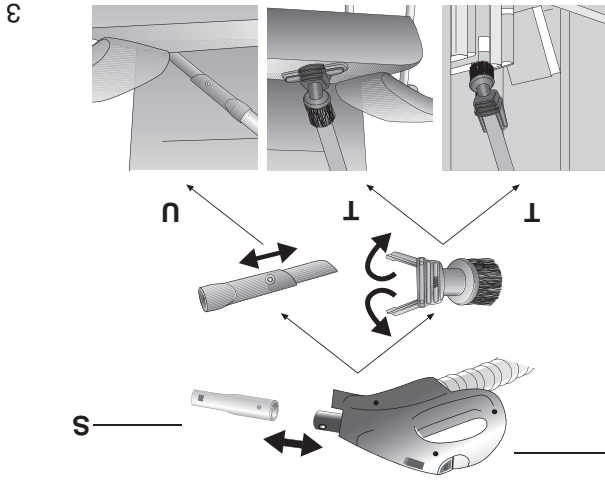
1. Enclenchez les rallonges N ensemble.
2. Installez l'ensemble de rallonges sur l'électrobrosse O.
3. Installez la poignée Power-Touch R sur l'ensemble de rallonges N. Simultanément les fiches et les prises doivent s'enclencher et les boutons se verrouiller.
4. Insérez le raccord du boyau dans la partie supérieure de l'appareil.
5. Tirez le cordon électrique B de l'aspirateur jusqu'à complète extraction et branchez-le dans une prise. (Pour rembobiner le cordon électrique, débranchez-le, tenez bien la fiche et appuyez le bouton A.)
6. Appuyez sur la pédale à l'arrière de l'électrobrosse pour libérer l'ensemble de rallonges et la poignée; abaissez ensuite la poignée jusqu'à obtention d'une position confortable.
7. Mettez l'appareil en marche / à l'arrêt en appuyant sur le bouton E.
8. Réglez la puissance d'aspiration par le régulateur d'aspiration D. L'aspiration peut aussi être diminuée en ouvrant le régulateur de l'aspiration L sur la poignée R afin de varier la force nécessaire pour pousser l'aspirateur.



Pédale à dégagement rapide. Appuyez sur la pédale pour libérer les rallonges de l'électrobrosse.

Accessoires

- N Buse de plancher avec brosse motorisée. Mettez en marche pour les tapis ; à l'arrêt pour les sols lisses.
- T Brosse/buse combinée : la brosse pour meubles et la buse pour les capotonnages forment un seul outil.
- U Outil à coin (télescopique)
- R Poignée Power-Touch®
- S Adaptateur pour la tube télescopique et les accessoires en option



CONSEILS DE SÉCURITÉ

Lors de l'utilisation d'un appareil électrique, quelques précautions élémentaires doivent être observées, incluant les suivantes :

LISEZ TOUTES LES INSTRUCTIONS AVANT D'UTILISER

VOTRE ASPIRATEUR.

AVERTISSEMENT

Pour réduire le risque d'incendie, de décharge électrique ou de blessure :

- Ne l'utilisez pas à l'extérieur ou sur une surface mouillée.
- **Ne quittez pas l'aspirateur lorsqu'il est branché.** Mettez-le à l'arrêt et débranchez-le lorsqu'il n'est pas en marche et/ou avant d'y faire l'entretien.
- Ne permettez pas que l'aspirateur soit utilisé comme un jouet. Faites attention lorsque l'aspirateur est utilisé près de ou par un enfant.
- Utilisez-le seulement comme il est décrit dans ce livret. Utilisez seulement les accessoires recommandés par le fabricant.
- Ne l'utilisez pas avec une fiche ou un cordon endommagé. Si l'aspirateur ne fonctionne pas comme il faut, s'il est tombé, s'il est endommagé, s'il a été laissé à l'extérieur ou plongé dans l'eau, retournez-le à un centre de réparation avant de vous en servir.
- Ne le tirez pas et ne le tenez pas par le cordon, ni n'utilisez le cordon comme une poignée, fermez une porte sur le cordon, ou tirez le cordon autour de coins aigus. Ne passez pas l'aspirateur sur le cordon. Eloignez le cordon des surfaces chaudes.
- Tenez la fiche lorsque vous rembobinez le cordon. Ne laissez pas la fiche touetter l'air.
- N'utilisez pas de cordon prolongateur ni de prise de courant ayant une intensité admissible insuffisante.
- Mettez toutes les commandes à l'arrêt avant de le débrancher.
- Mettez cet appareil à l'arrêt avant de raccorder ou de déconnecter le boyaux ou la brosse motorisée.
- Ne débranchez pas en tirant sur le cordon. Pour débrancher, saisissez la fiche, non pas le cordon.
- Le boyaux contient des fils électriques. N'utilisez pas l'aspirateur si le boyaux est endommagé, coupé ou percé. Évitez de ramasser des objets tranchants.
- Ne touchez pas la fiche ou l'aspirateur avec les mains mouillées.
- Ne mettez aucun objet dans les ouvertures. Ne l'utilisez pas avec des ouvertures bouchées; gardez libre de poussière, charpie, cheveux et tout ce qui peut réduire la circulation de l'air.
- Cet aspirateur crée de l'aspiration et contient un rouleau-brosse rotatif. Gardez les parties mobiles et les ouvertures loin des vêtements, des vêtements, des doigts et de toute partie du corps.
- Ne ramassez pas des objets qui sont en train de brûler ou qui dégagent de la fumée, comme des cigarettes, allumettes ou des cendres chaudes.
- Ne l'utilisez pas sans le sac à poussière ou le filtre en place.
- Les poignées de la courroie peuvent devenir chaudes pendant l'utilisation normale. Pour empêcher les brûlures, évitez de toucher la poignée de la courroie lorsque vous réparez la courroie.
- Soyez particulièrement prudent lorsque vous nettoyez des escaliers.
- Ne l'utilisez pas pour ramasser des liquides inflammables ou combustibles, comme l'essence, ni ne l'utilisez dans les endroits où ces liquides peuvent être présents.
- Entrez votre aspirateur dans un endroit propre et sec.
- Gardez votre lieu de travail bien éclairé.
- Débranchez les appareils électriques avant de les nettoyer avec l'aspirateur.

CONSERVEZ CES INSTRUCTIONS

Table des matières	
Renseignements sur le service après-vente	2
Conseils de sécurité	2
Identification des pièces	3
Utilisation	3
Accessoires	3
Changement du sac à poussière et du filtre du moteur	4
Remplacement du rouleau-brosse, d'une courroie usée ou de l'ampoule	4
Entretien et nettoyage	5
Garantie	5

RENSEIGNEMENTS GÉNÉRAUX

Afin de réduire le risque de décharge électrique, cet appareil est muni d'une fiche polarisée (une des broches est plus large). Cette fiche ne peut être insérée dans une prise polarisée que d'une seule façon. Si la fiche ne peut être insérée dans la prise, inversez la fiche. Si la fiche ne peut toujours pas être insérée dans la prise, faites installer une prise adéquate par un électricien qualifié. Ne modifiez pas la fiche.

Le sac a pu être délogé lors de l'expédition. Vérifiez le sac pour vous assurer qu'il se trouve bien disposé avant d'utiliser l'aspirateur. N'utilisez pas l'aspirateur sans le sac à poussière ou le filtre. Sinon, le moteur pourrait se retrouver endommagé (voir Sac à poussière et filtre).

L'aspirateur est conçu pour ramasser des particules de poussière et de saleté. Évitez de ramasser des objets durs ou comportant des arêtes vives afin d'éviter de boucher le boyaux, percer le sac ou endommager le moteur.

Renseignements sur le service après-vente

Les instructions dans ce livret vous serviront de guide pour l'entretien routinier. Si un service plus important est nécessaire, composez le numéro ci-dessous, sans frais :

É.-U. : 1-800-800-8975

Mexique : 5670-6169

Canada : 1-800-800-8975

Si vous le préférez, vous pouvez aussi écrire à Electrolux Home Care Products North America, Service Division, P.O. Box 3900, Peoria, Illinois, 61612 aux É.-U. ou à Electrolux Home Care Products North America, 866 Langs Drive, Cambridge, Ontario N3H 2N7 au Canada. Reportez-vous à la garantie de Sanitaire pour de plus amples renseignements sur le service de réparation.



NE HUILEZ JAMAIS les moteurs (celui de l'appareil et celui de l'électrobrosse) ou le rouleau-brosse. Les paliers ont été lubrifiés et scellés à vie.

SYSTEM_PRO

Guide du propriétaire

Aspirateur

À usage ménager

Série SP6951

IMPORTANT

Ne rendez pas cet appareil au magasin. Appelez le 1-800-800-8975 du lundi au vendredi, de 8 heures à 19 heures 30, heure normale du Centre et de 10 heures à 18 heures le samedi ou visitez notre site Web, www.sanitairevac.com pour les situations ci-dessous :

- problèmes d'assemblage
- remplacement des pièces cassées ou manquantes
- pour commander des pièces et des accessoires de recharge
- pour savoir l'adresse de l'atelier autorisé pour l'application de la garantie Sanitaire le plus proche de votre maison

* En Mexico llame al 5670-6169.

www.sanitairevac.com



VEUILLEZ CONSERVER CES NUMÉROS ET CE MANUEL

Nous vous suggérons d'inscrire les numéros de modèle, de type et de série ci-dessous. Ils se trouvent sur la plaque signalétique, argent, de votre appareil. Pour obtenir un service après-vente rapide et complet, reportez-vous toujours à ces numéros :

Modèle et type _____
 N° de série _____

Il est aussi très important de garder votre reçu comme preuve pour la date d'achat.

Free Manuals Download Website

<http://myh66.com>

<http://usermanuals.us>

<http://www.somanuals.com>

<http://www.4manuals.cc>

<http://www.manual-lib.com>

<http://www.404manual.com>

<http://www.luxmanual.com>

<http://aubethermostatmanual.com>

Golf course search by state

<http://golfingnear.com>

Email search by domain

<http://emailbydomain.com>

Auto manuals search

<http://auto.somanuals.com>

TV manuals search

<http://tv.somanuals.com>