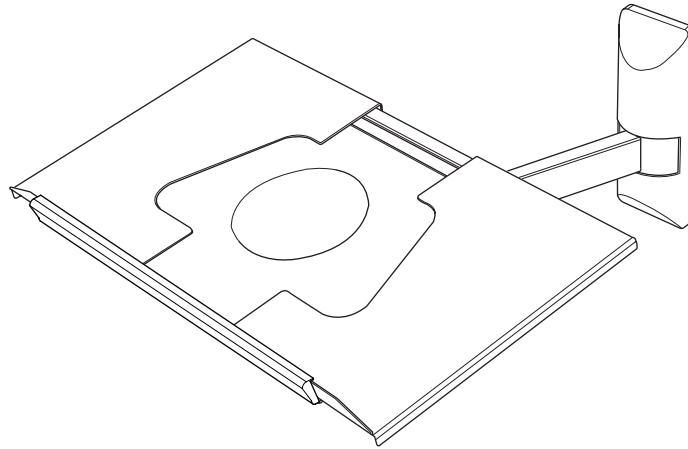


SANUS | SYSTEMS

VMTV

(6901-100175 <01>)



IMPORTANT SAFETY INSTRUCTIONS - SAVE THESE INSTRUCTIONS

Thank you for choosing a Sanus Systems VMTV monitor mount. The VMTV monitor mount is designed to support monitors 13 to 27 inches (33 to 68 cm); maximum weight capacity is 45 kg (100 lbs.). The VMTV monitor mounts are adjustable, allowing up to 110° of swivel, up to 180° of roll, and three tilt settings 0°, -5°, and -10°.

⚠ CAUTION

Do not use this product for any purpose not explicitly specified by Sanus Systems. Improper assembly may cause property damage or personal injury. If you do not understand these directions, or have doubts about the safety of the assembly, contact Customer Service or call a qualified contractor. Sanus Systems is not responsible for damage or injury caused by incorrect assembly or use.

⚠ CAUTION

This product is designed for use in wood stud walls only! The wall must be capable of supporting up to five times the weight of the monitor and mount combined. If you have any doubts about the ability of the wall to support the monitor, contact Customer Service, or a qualified contractor.

⚠ WARNING

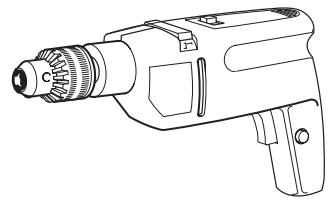
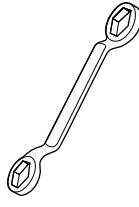
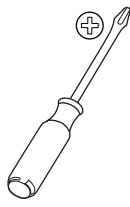
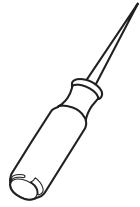
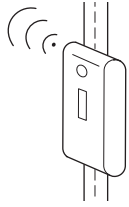
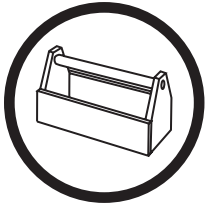
This product contains small items that could be a choking hazard if swallowed. Keep these items away from young children!

Sanus Systems 2221 Hwy 36 West, Saint Paul, MN 55113 USA

Customer Service: 1-800-359-5520 • 651-484-7988

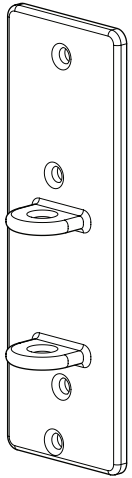
info@sanus.com • www.sanus.com

©2008 Milestone AV Technologies

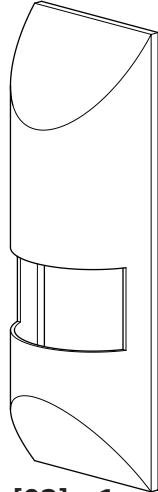


Supplied Parts and Hardware

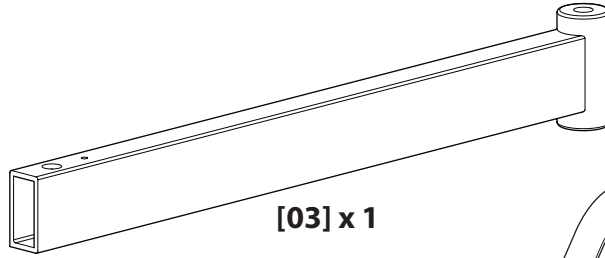
Before starting assembly, verify all parts are included and undamaged. If any parts are missing or damaged, do not return the item to your dealer; contact Customer Service. Never use damaged parts!



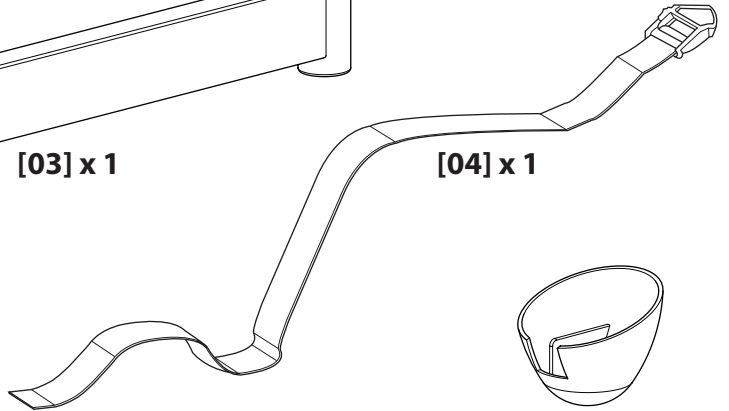
[01] x 1



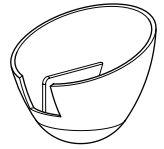
[02] x 1



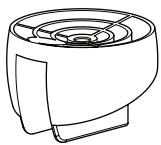
[03] x 1



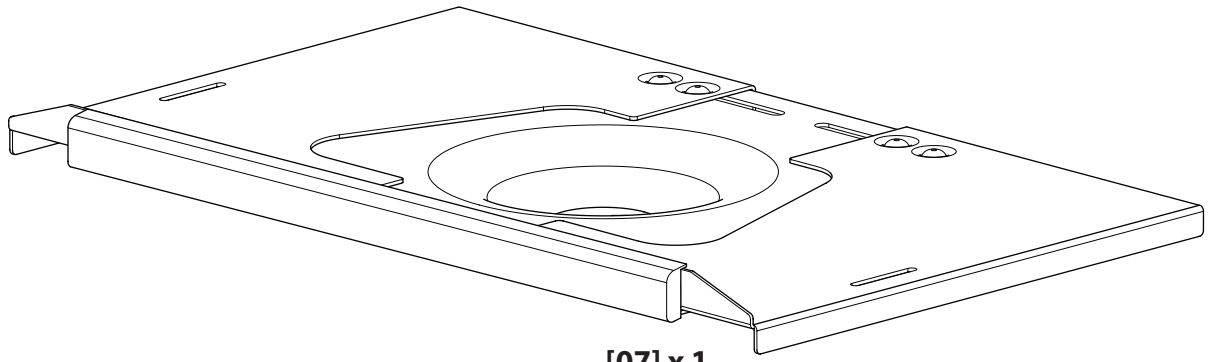
[04] x 1



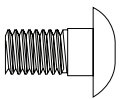
[05] x 1



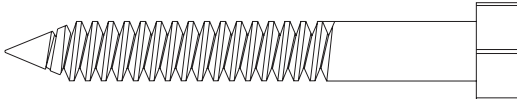
[06] x 1



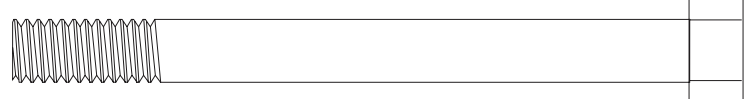
[07] x 1



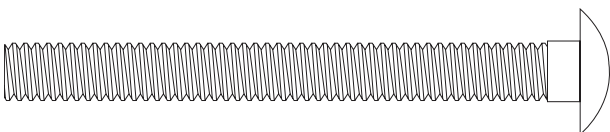
[08] x 1



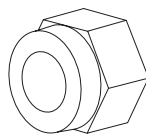
[09] x 4



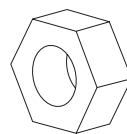
[10] x 1



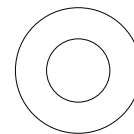
[11] x 1



[12] x 1



[13] x 1

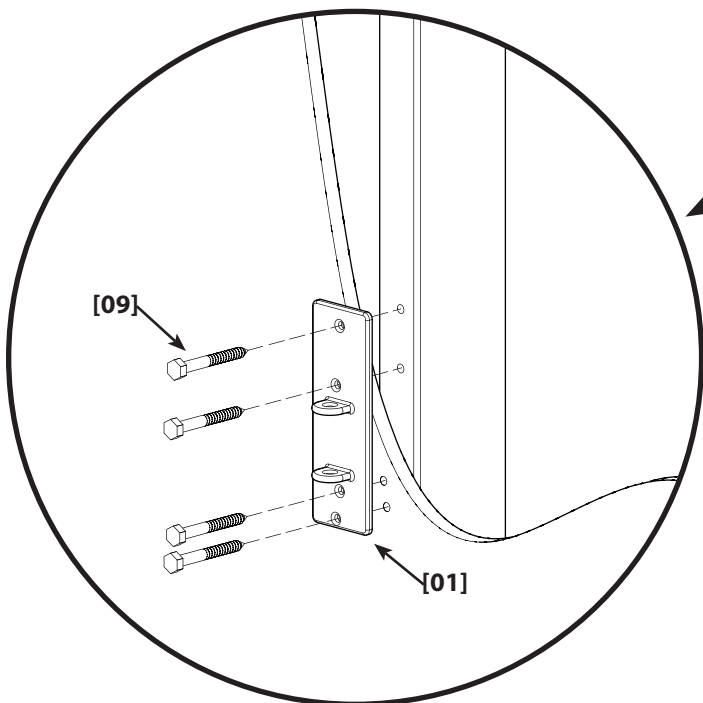
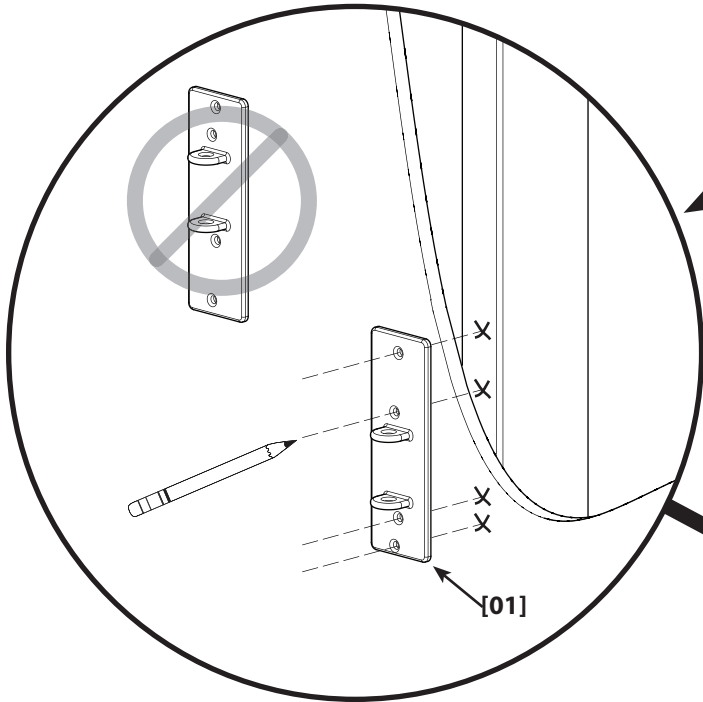
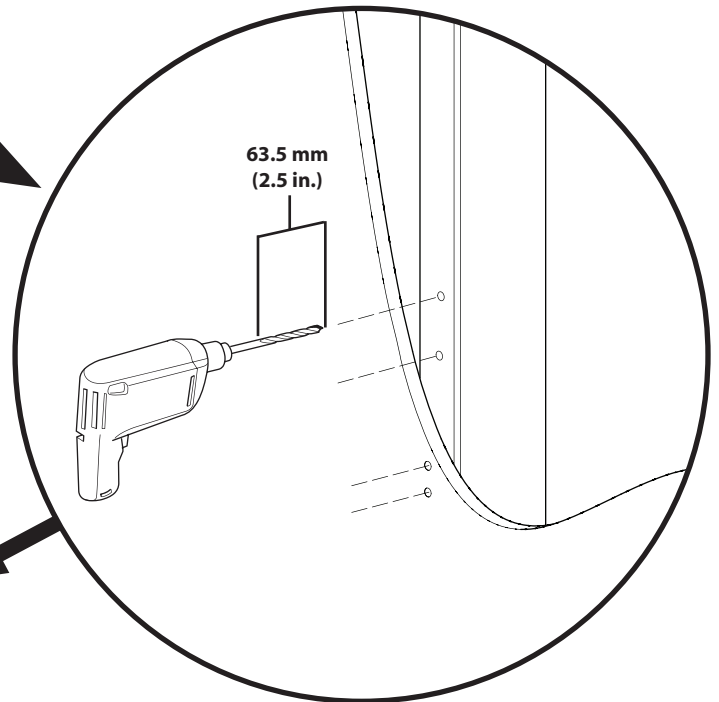
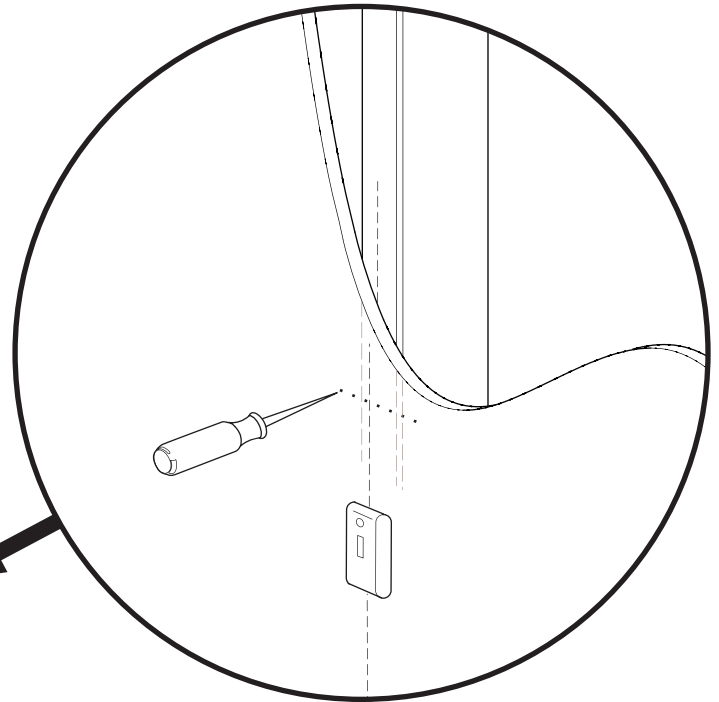


[14] x 1



[15] x 1

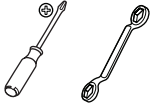
1



CAUTION

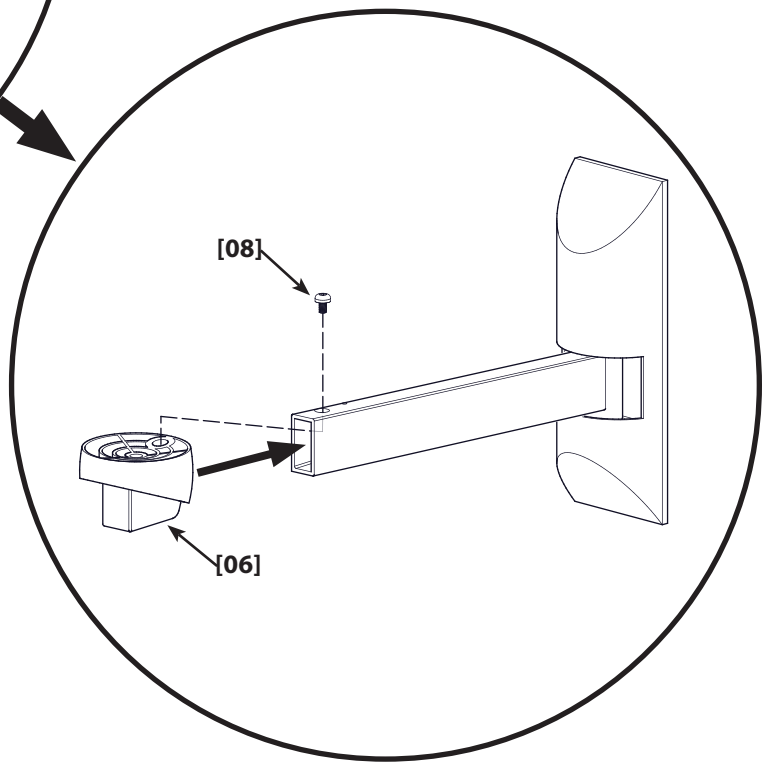
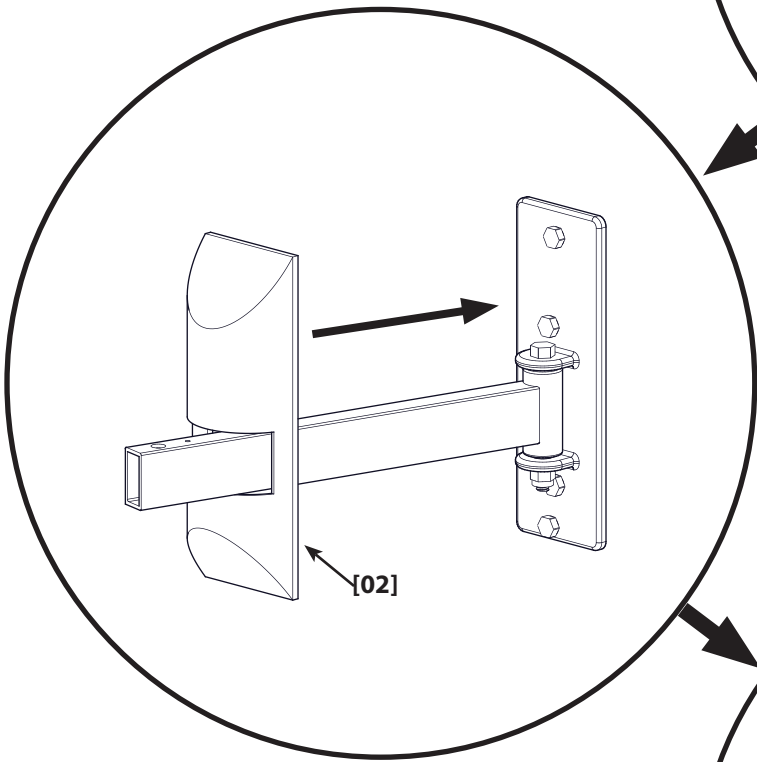
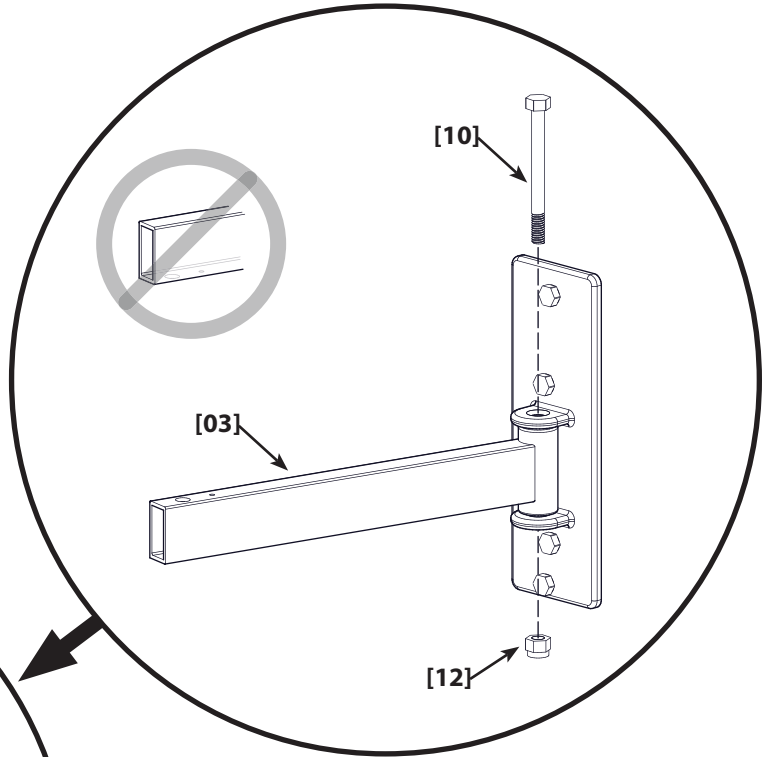
Avoid potential injuries or property damage! Do not overtighten the lag bolts [09]. Tighten the bolts only until they are pulled firmly against the wall plate [01].

2

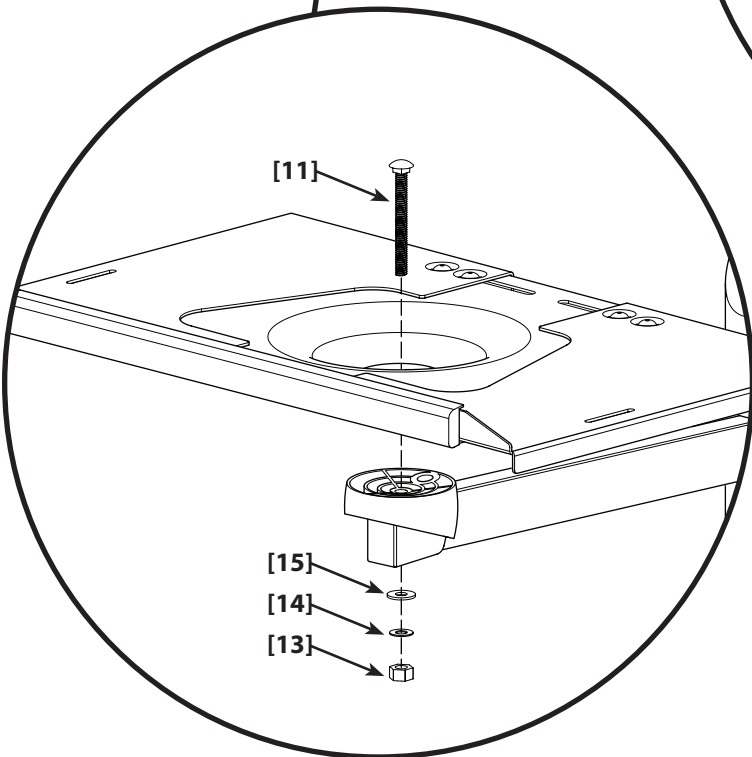
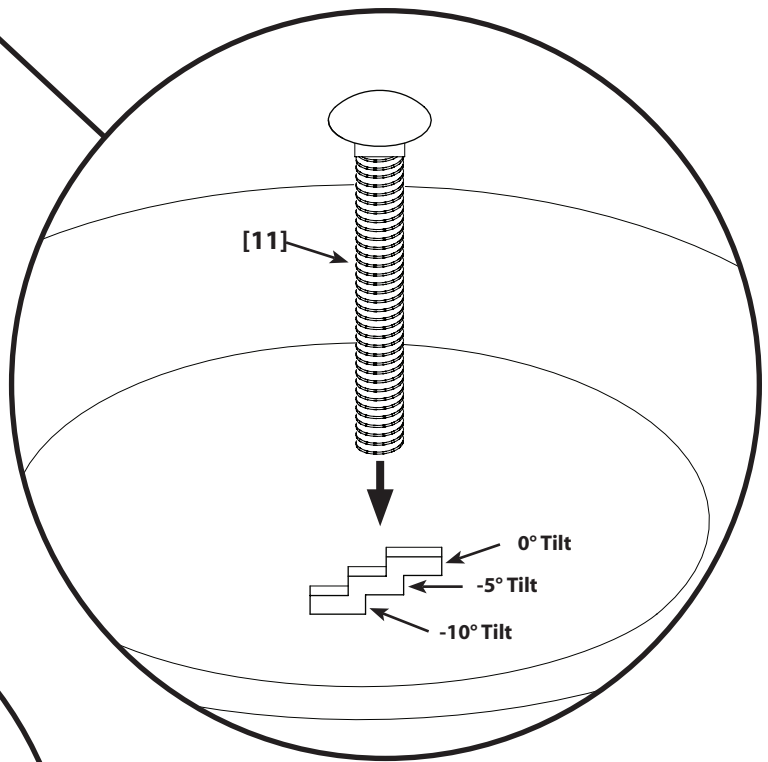
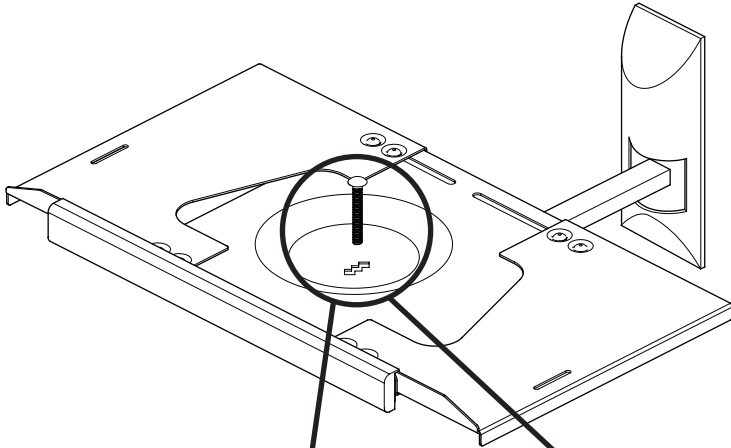


NOTE

Do not overtighten the pivot nut [12]. The arm [03] must be free to move.



3



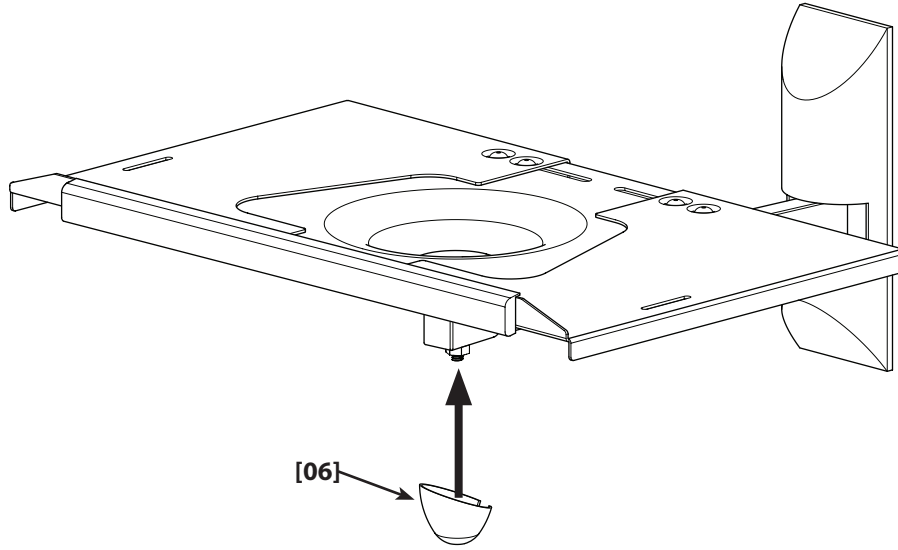
CAUTION

Avoid potential injuries or property damage! Do not use the -10° Tilt position for monitors larger than 23 in. (68 cm) or weighing more than 27 kg (60 lbs.).

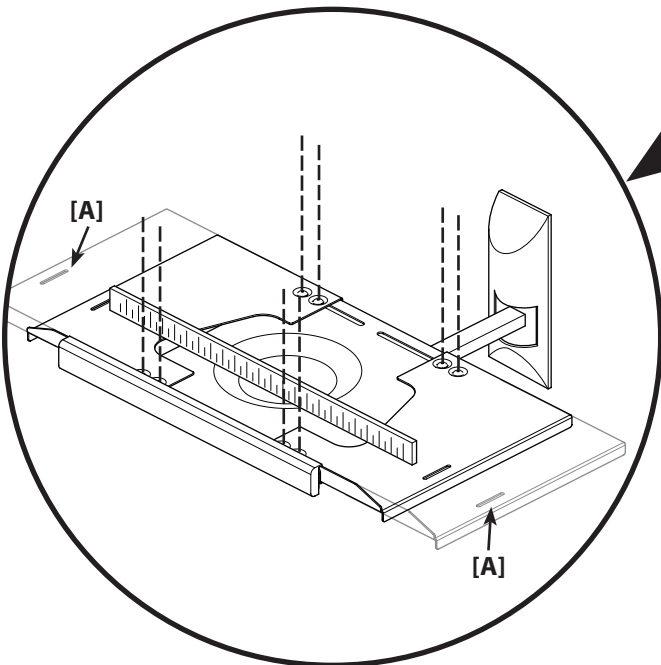
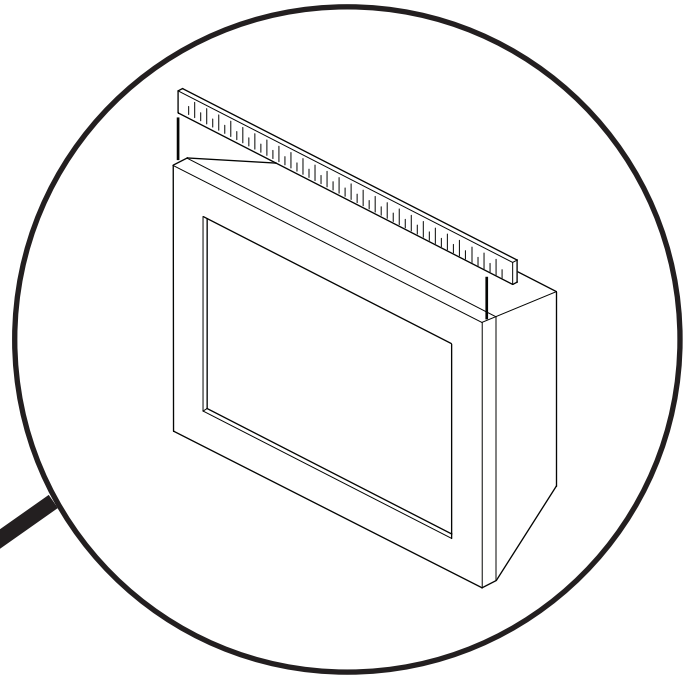
CAUTION

Avoid potential injuries or property damage! Be sure the square shoulder of the bolt [11] seats completely into the square hole before tightening the bolt.

4



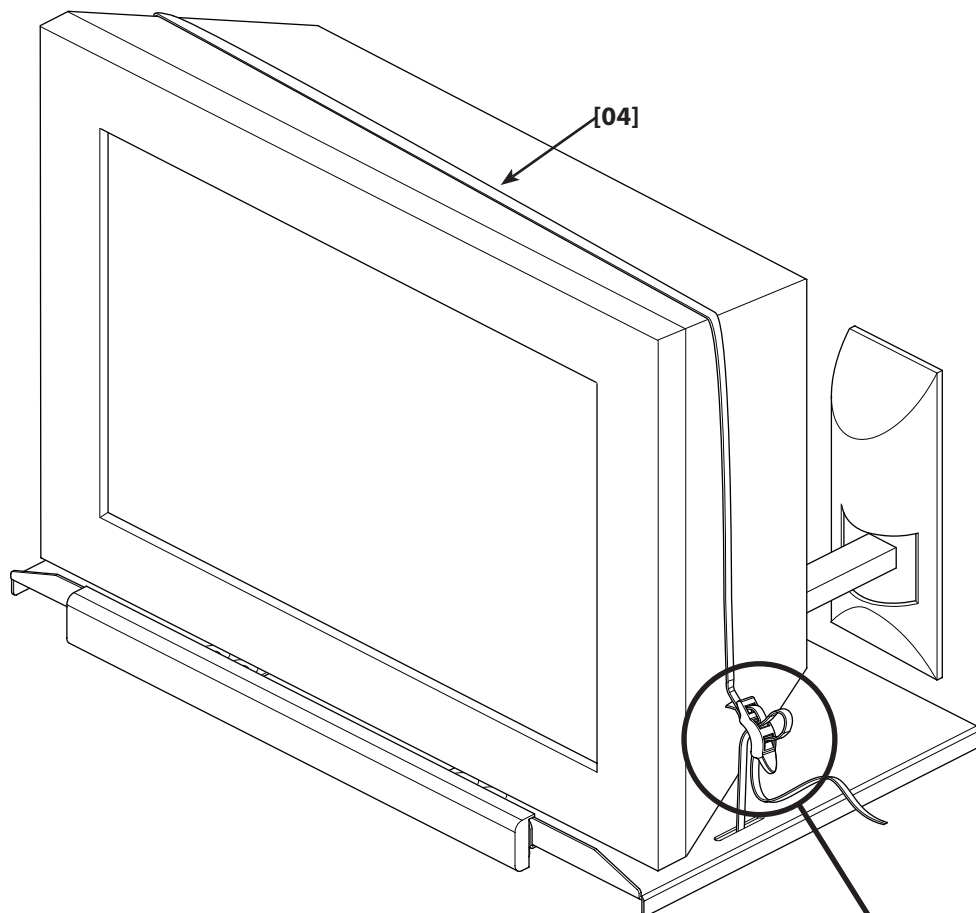
5



NOTE

Loosen the eight fasteners shown. Adjust the platter so that the slots [A] are slightly wider than the width of the monitor. Retighten the fasteners.

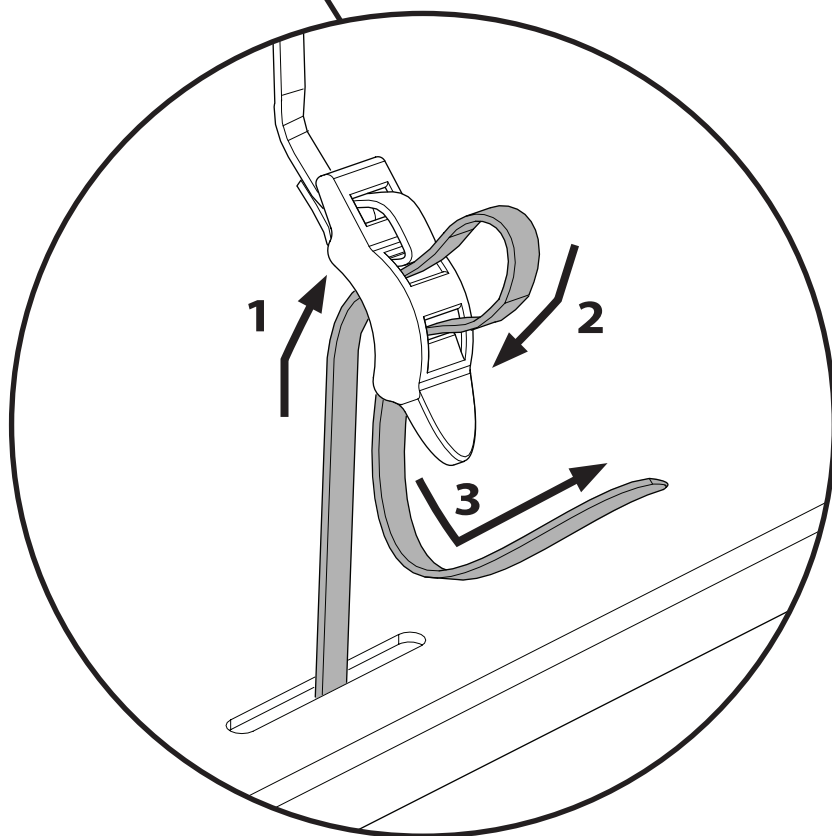
6



HEAVY! You will need assistance with this step. Have an assistant hold the monitor in place on the platter while you secure the strap [04].

⚠ CAUTION

Avoid potential injuries or property damage! Never leave the monitor on the wall mount unless the strap [04] is securely fastened.



Milestone AV Technologies, Inc. and its affiliated corporations and subsidiaries (collectively, "Milestone"), intend to make this manual accurate and complete. However, Milestone makes no claim that the information contained herein covers all details, conditions, or variations. Nor does it provide for every possible contingency in connection with the installation or use of this product. The information contained in this document is subject to change without notice or obligation of any kind. Milestone makes no representation of warranty, expressed or implied, regarding the information contained herein. Milestone assumes no responsibility for accuracy, completeness or sufficiency of the information contained in this document.

Free Manuals Download Website

<http://myh66.com>

<http://usermanuals.us>

<http://www.somanuals.com>

<http://www.4manuals.cc>

<http://www.manual-lib.com>

<http://www.404manual.com>

<http://www.luxmanual.com>

<http://aubethermostatmanual.com>

Golf course search by state

<http://golfingnear.com>

Email search by domain

<http://emailbydomain.com>

Auto manuals search

<http://auto.somanuals.com>

TV manuals search

<http://tv.somanuals.com>