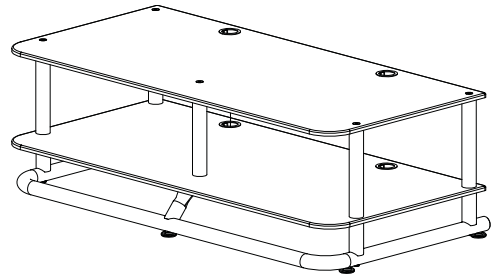


# SANUS SYSTEMS

THE UNION OF FORM AND FUNCTION

## Assembly Instructions for Model: EFAV-II

Thank you for choosing the Sanus Systems Model EFAV-II. Every effort has been made to ensure that your Sanus Systems furniture is perfect. If you have questions or feel that there is a problem of any kind, please contact us at 800-359-5520 or at [www.sanus.com](http://www.sanus.com). We can quickly help with any issues regarding assembly or missing parts. Replacement parts for Sanus systems products purchased through authorized dealers will be shipped directly to you.



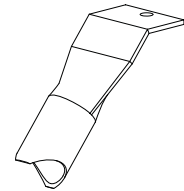
**Supplied Parts List:** (All threaded fasteners are shown full scale)



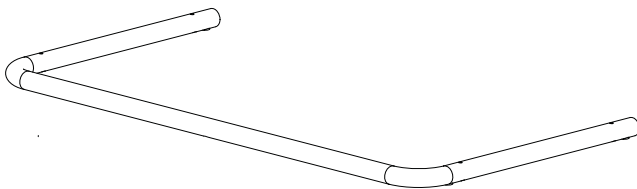
**8" Pillar - A**  
Qty. 5



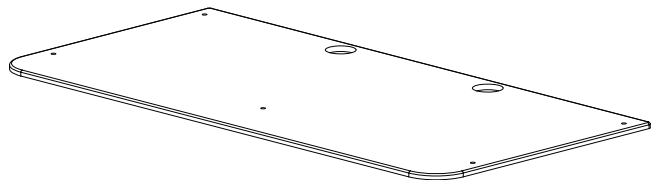
**3" Cope Tube - B**  
Qty. 4



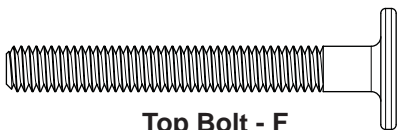
**Angled Center Support - C**  
Qty. 1



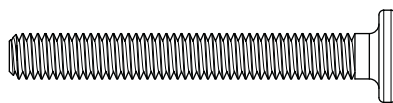
**Metal Base - D**  
Qty. 1



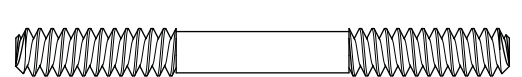
**Video Shelf - E**  
Qty. 2



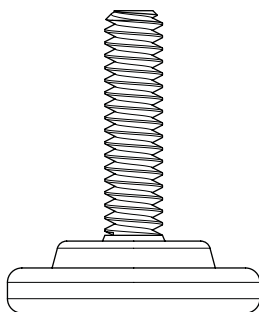
**Top Bolt - F**  
Qty. 5



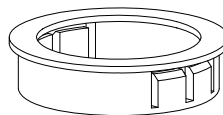
**Pan head Bolt - G**  
Qty. 5



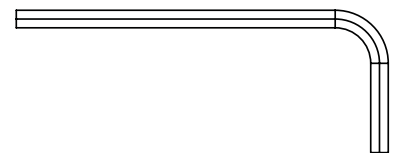
**Shelf Connector - H**  
Qty. 5



**Floor Glide - I**  
Qty. 5



**Wire Bushing - J**  
Qty. 4

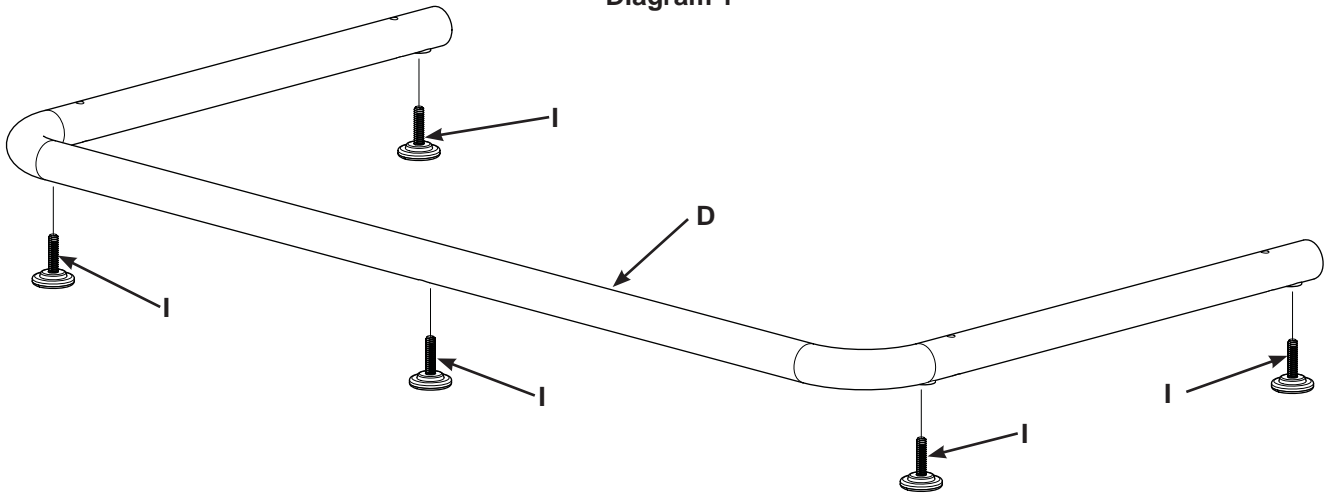


**Allen Key - K**  
Qty. 1

### Step 1 - Attach Floor Glides to Metal Frame

Thread the five Floor Glides (I) into the Metal Base (D).

Diagram 1



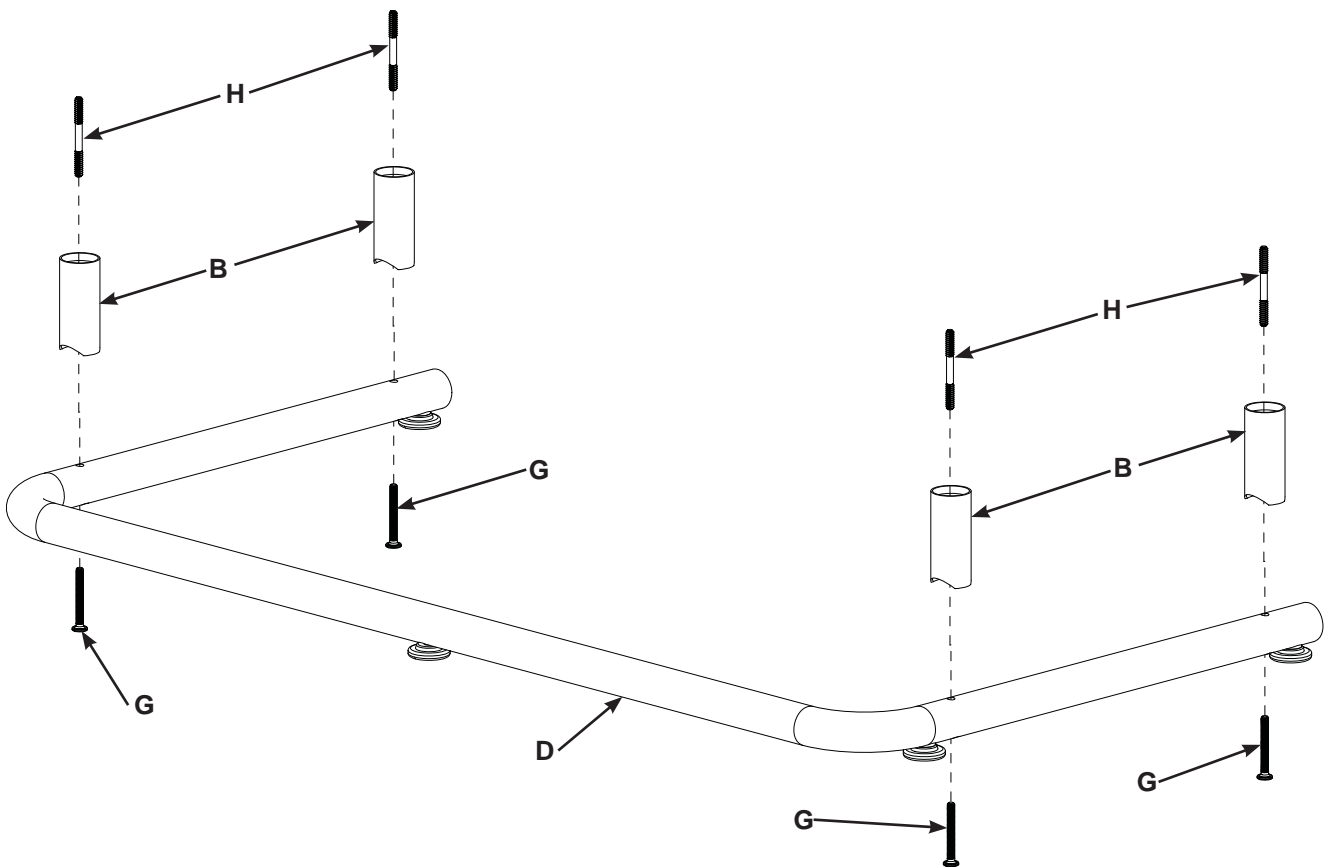
### Step 2 - Attach 3" Cope Tubes to Metal Base

Thread a Shelf Connector (H) securely into the four 3" Cope Tubes (B).

**NOTE: Do not tighten the Pan Head Bolts (G) until the entire EFAV-II is assembled.**

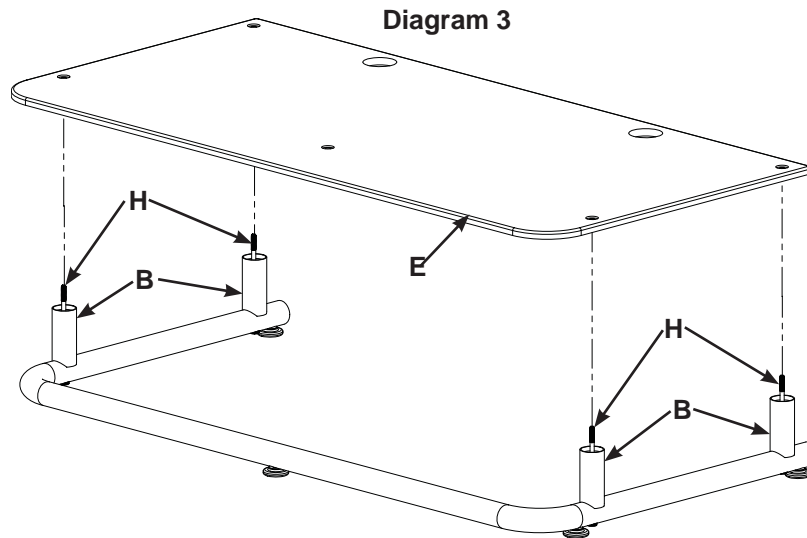
Place a Pan Head Bolt (G) through each of the four holes in the Metal Base (D); then, thread them into the four 3" Cope Tubes (B).

Diagram 2



### Step 3 - Place a Video Shelf on the Metal Base

Align four holes in a Video Shelf (E) with the Shelf Connectors (H) threaded into the 3" Cope Tubes (B) in Step 2; then, place the Video Shelf onto the 3" Cope Tubes.

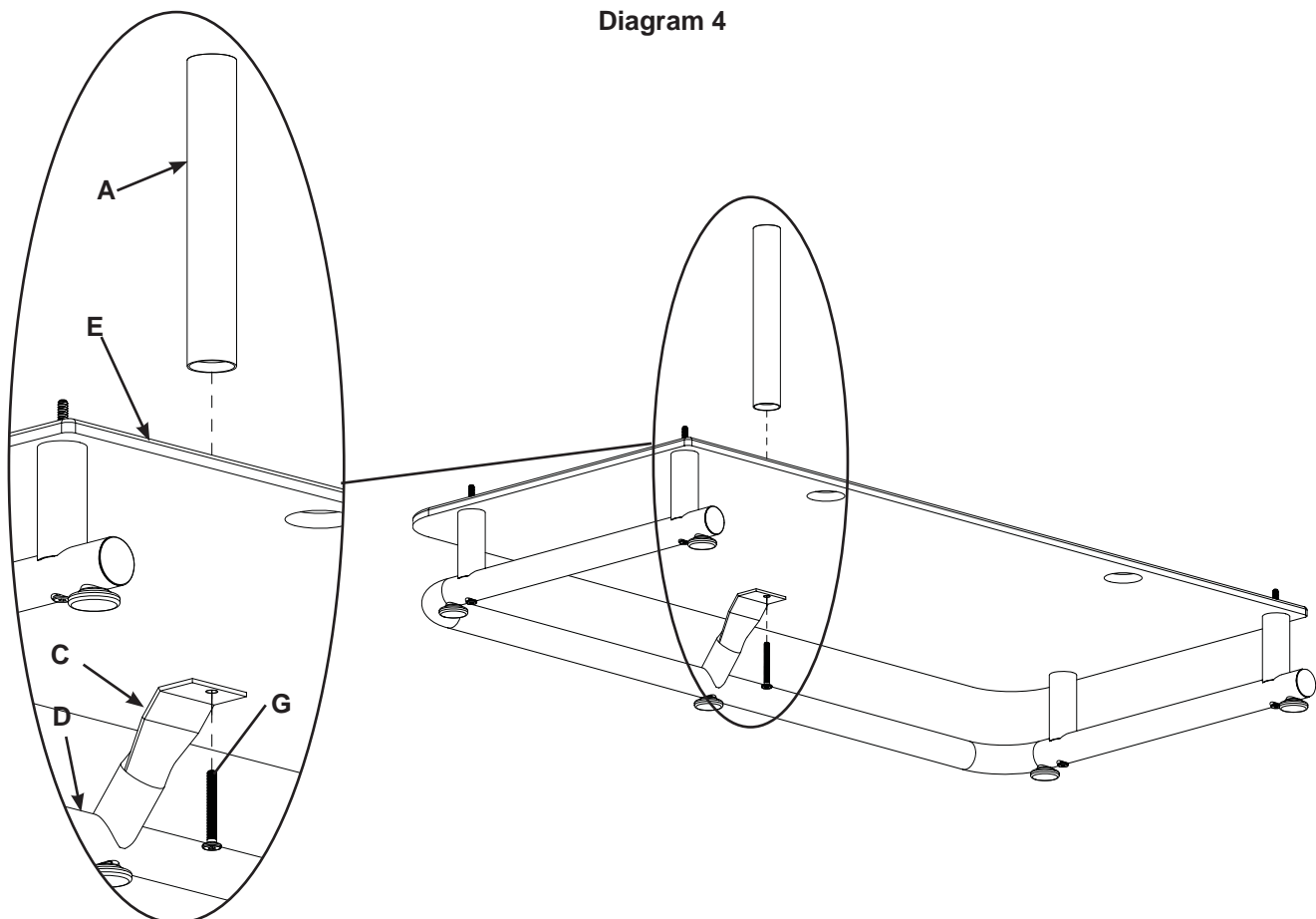


---

### Step 4 - Secure the Angled Center Support to the Video Shelf

**NOTE: Make sure the coped end of the Angled Center Support (C) fits over the Metal Base (D).**

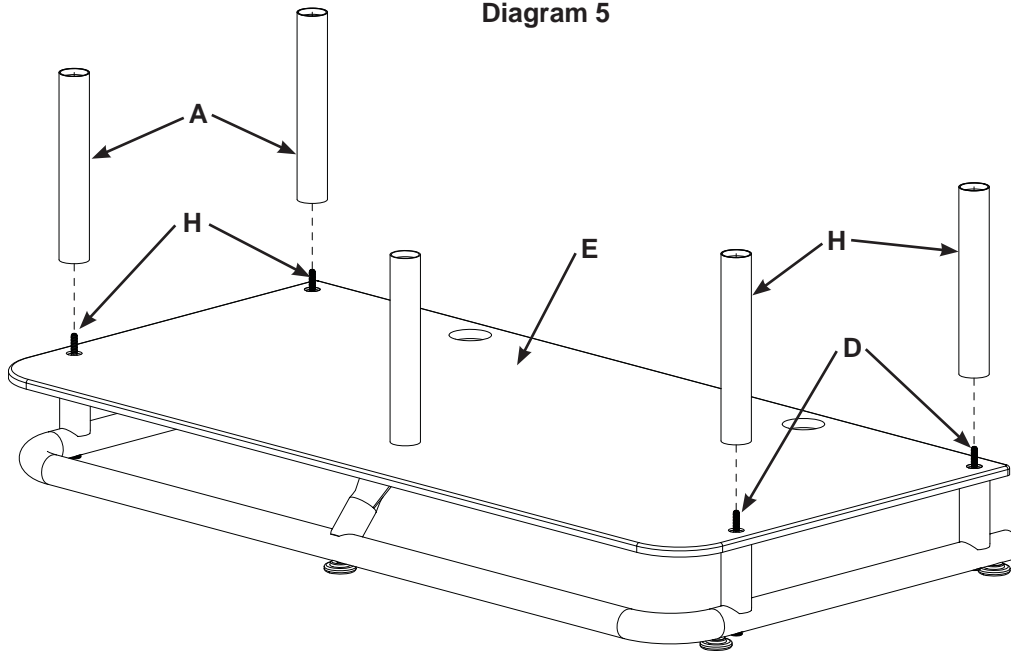
Attach the Angled Center support (C) to the bottom of the Video Shelf (E) by threading a Pan Head Bolt (G) up through the Angled Center Support, the Video Shelf, and into an 8" Pillar (A).



## Step 5 - Attach 8" Pillars

By hand, firmly thread an 8" Pillar (A) to the four Shelf Connectors (H) protruding through the Video Shelf (E).

Diagram 5



### NOTE

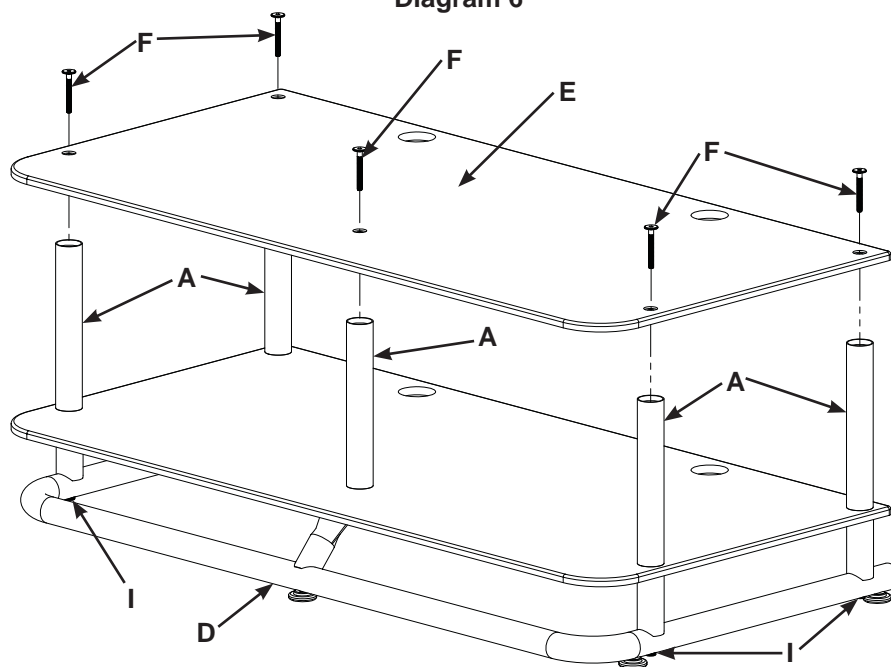
If you are installing additional shelves, refer to the Assembly Instructions for Model: EFVS-II.

## Step 6 - Secure Video Shelf to 8" Pillars

Place the Video Shelf (E) on the 8" Pillars (A); then, using the Allen Key (K) and five Top Bolts (F), secure the Video Shelf to the 8" Pillars.

Using the same Allen Key (K) tighten the four Pan Head Bolts (G) used to attach the Metal Base (D) to the 3" Cope Tubes (B) in Step 2.

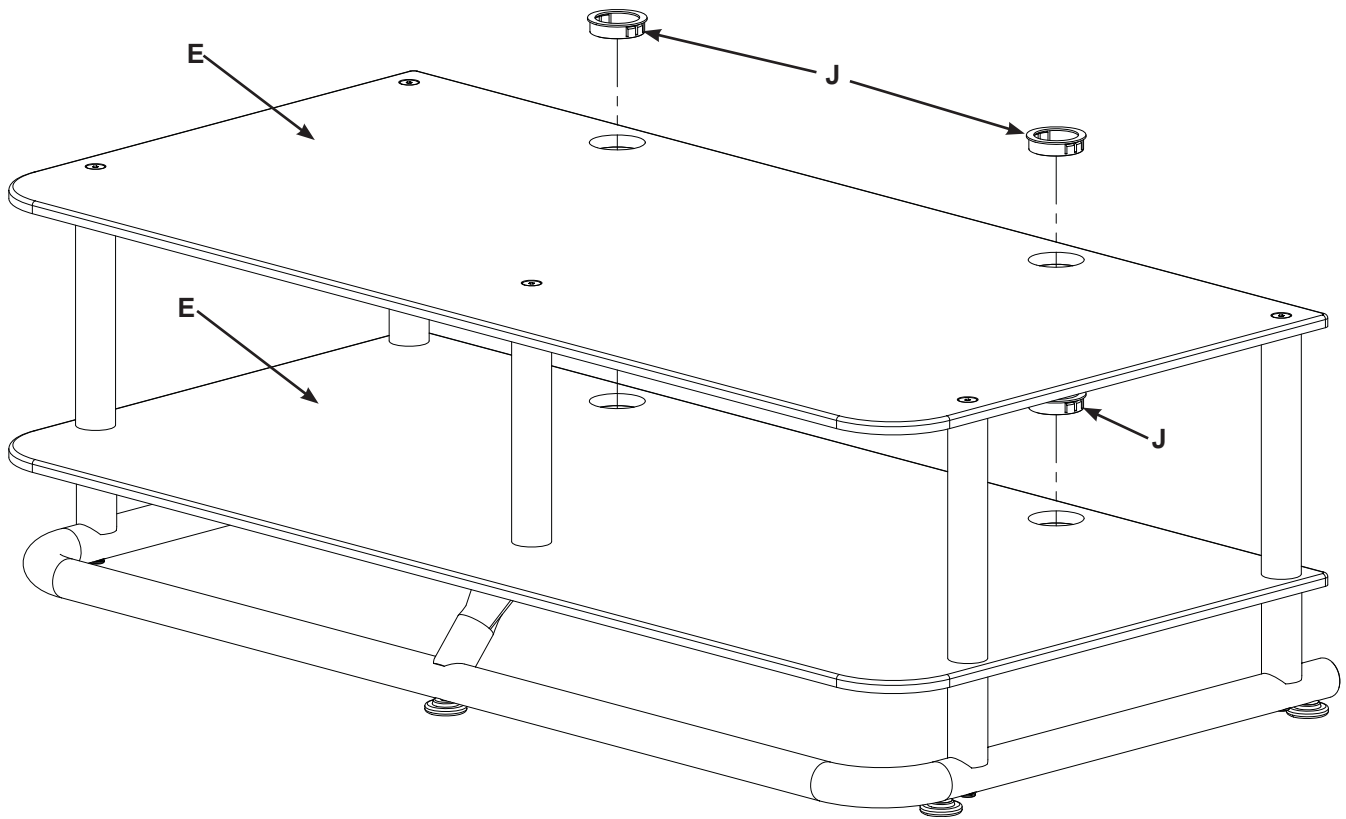
Diagram 6



## Step 7 - Install Wire Bushings

Snap the four Wire Bushings (J) into the four holes in the Video shelves (E).

Diagram 7



## Free Manuals Download Website

<http://myh66.com>

<http://usermanuals.us>

<http://www.somanuals.com>

<http://www.4manuals.cc>

<http://www.manual-lib.com>

<http://www.404manual.com>

<http://www.luxmanual.com>

<http://aubethermostatmanual.com>

Golf course search by state

<http://golfingnear.com>

Email search by domain

<http://emailbydomain.com>

Auto manuals search

<http://auto.somanuals.com>

TV manuals search

<http://tv.somanuals.com>