

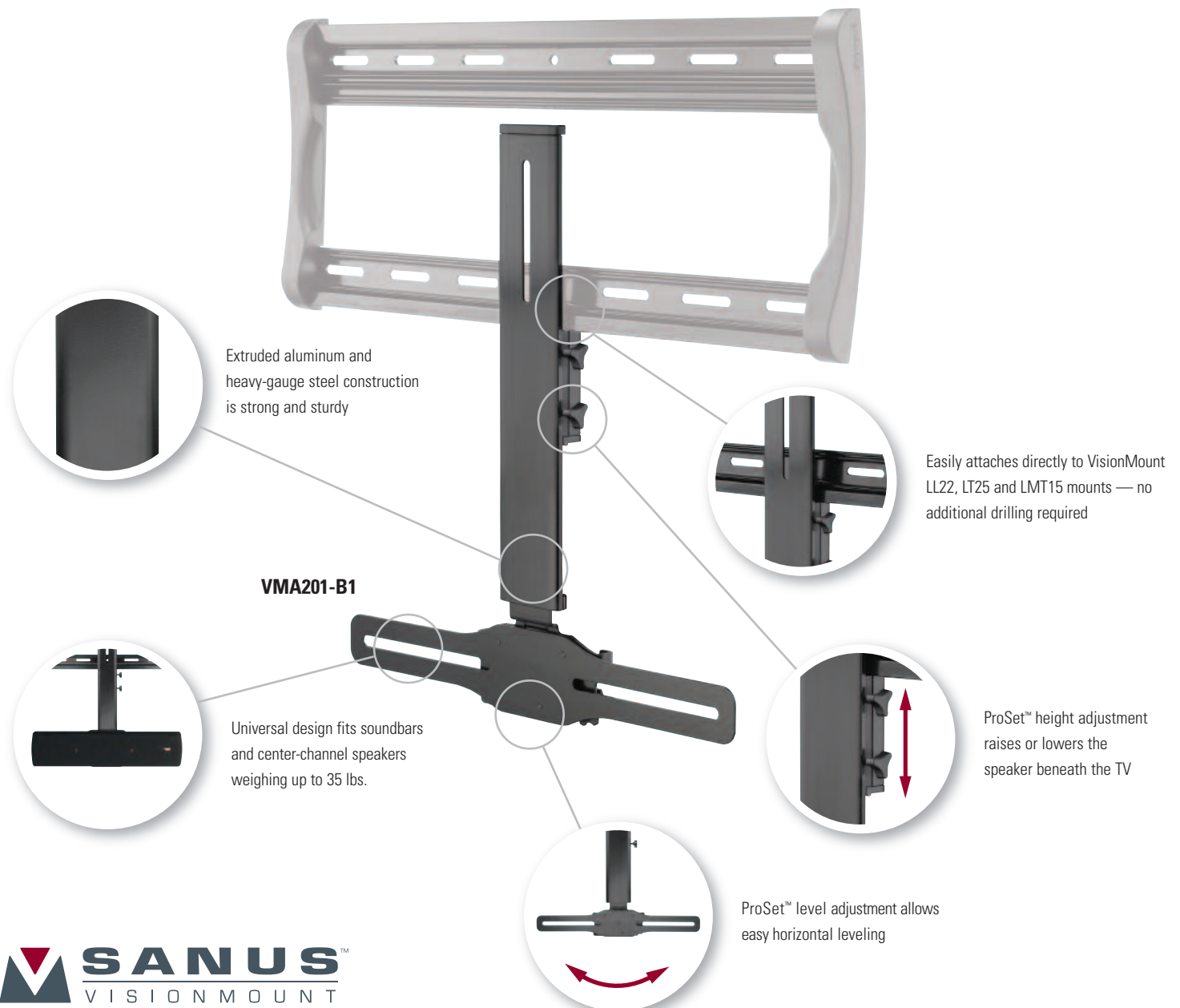
NEW VISIONMOUNT® SOUNDBAR SPEAKER MOUNT

Save space and improve sound quality by mounting a soundbar along with your TV

The new VisionMount VMA201 soundbar speaker mount easily attaches to VisionMount LL22, LT25 and LMT15 wall mounts for an optimal listening experience. This great space-saving solution is easy to install and requires no additional drilling. ProSet™ height adjustments raise or lower the speaker relative to the TV size, and ProSet™ level adjustments allow easy horizontal leveling for perfect speaker positioning.



VMA201-B1 in use



www.sanus.com • 800.359.5520

NEW VISIONMOUNT® SOUNDBAR SPEAKER MOUNT

MODEL: VMA201

DESCRIPTION

Soundbar and center-channel speaker mount.
Only compatible with LL22, LT25 and LMT15 mounts.

PRODUCT DIMENSIONS (w x d x h) / WEIGHT

33.9" x 1.3" x 23.3" / 35 lbs
86 x 3.3 x 59.1 cm / 15.9 kg

PACKAGE DIMENSIONS (w x d x h) / WEIGHT

30.2" x 7.9" x 2.6" / 8.36 lbs
76.8 x 20.1 x 6.5 cm / 3.8 kg

MASTER PACK QUANTITY

3

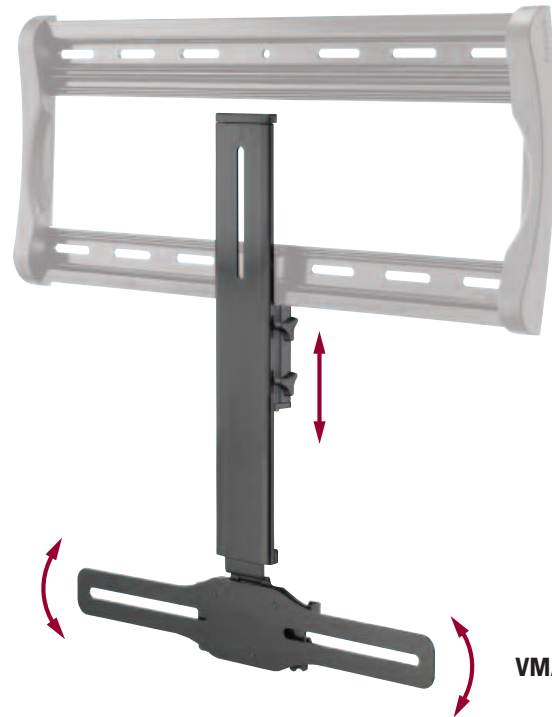
LIST PRICE

\$89.99

PROSET™ ADJUSTMENTS

Height: 12.6"
Level: 1.75"

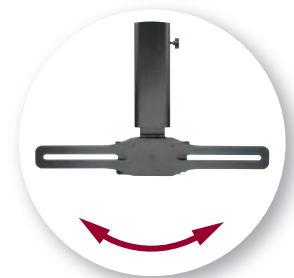
- Universal design fits soundbars and center-channel speakers weighing up to 35 lbs.
- Easily attaches directly to VisionMount LL22, LT25 and LMT15 mounts — no additional drilling required
- ProSet™ height adjustment raises or lowers the speaker beneath the TV
- ProSet™ level adjustment allows easy horizontal leveling
- Extruded aluminum and heavy-gauge steel construction is strong and sturdy
- Easy installation; hardware included



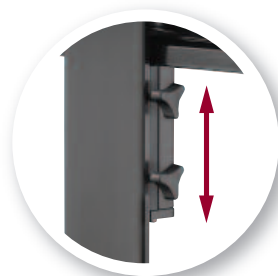
Attaches directly to select
VisionMount wall plates



Strong and sturdy construction



ProSet™ level adjustment



ProSet™ height adjustment



Universal design



www.sanus.com • 800.359.5520

Free Manuals Download Website

<http://myh66.com>

<http://usermanuals.us>

<http://www.somanuals.com>

<http://www.4manuals.cc>

<http://www.manual-lib.com>

<http://www.404manual.com>

<http://www.luxmanual.com>

<http://aubethermostatmanual.com>

Golf course search by state

<http://golfingnear.com>

Email search by domain

<http://emailbydomain.com>

Auto manuals search

<http://auto.somanuals.com>

TV manuals search

<http://tv.somanuals.com>