

SANUS SYSTEMS

THE UNION OF FORM AND FUNCTION

Assembly Instructions for Model: VMCT

Thank you for choosing a Sanus Systems VMCT. This product is designed to work with other products to easily and safely contain and hide component cables, power cords, and wires.

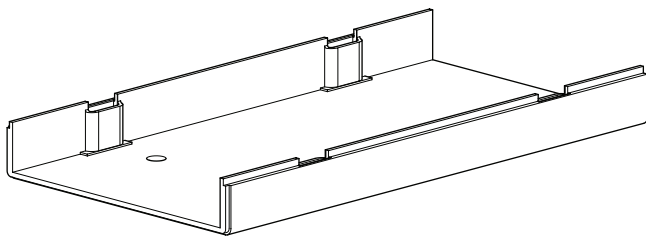
If you do not understand these directions, or have any doubts about the safety of the installation, please call a qualified contractor or contact Sanus at 800.359.5520 or www.sanus.com. Our customer service representatives can quickly assist you with installation questions and missing or damaged parts. Replacement parts for products purchased through authorized dealers will be shipped directly to you. Check carefully to make sure that there are no missing or defective parts. Sanus Systems can not be liable for damage or injury caused by incorrect mounting, incorrect assembly, or incorrect use. Please call Sanus Systems before returning products to the point of purchase.

NOTE:

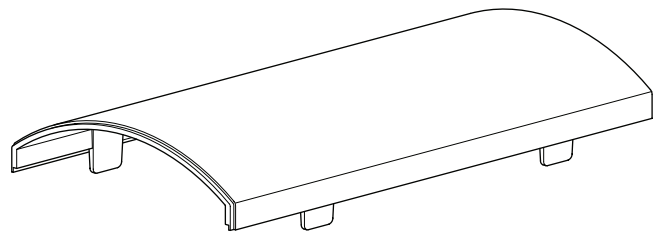
The supplied wall mounting hardware is not for metal stud, concrete, brick, or block walls. If you are uncertain about the nature of your wall, consult an installation contractor. Sanus makes every effort to assure all necessary mounting hardware is included. If the hardware you need is not included please consult your local hardware store or call Sanus Systems.

Required Tools: Drill, 3/16" drill bit, 3/8" drill bit, and a philips screw driver

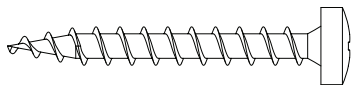
Supplied Parts and Hardware: (Threaded fasteners are shown actual size.)



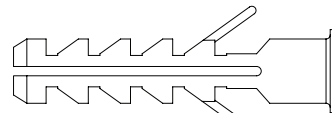
Wall Plate - A
Qty. 2



Cover - B
Qty. 2



Wood Screw - C
Qty. 4



Anchor - D
Qty. 4

Step 1: Attach Wall Plate

NOTE:

Do not overtighten the Wood Screws (C). Tighten the Wood Screws only until the Wall Plate (A) is pulled firmly against the wall. If there is a layer of drywall or other material, this drywall or other material may not exceed 5/8 inch [15.8 mm] in thickness.

Orient the Wall Plate (A) so that its flat side is against the wall as shown in Diagrams 1A and 1B and use the Wall plate as a template to mark the two holes for the Wood Screws (C) on the chosen stud. Drill two pilot holes using the 3/16 inch drill bit; then, using the Wood Screws, secure the Wall Plate to the stud as shown in Diagram 1A.

If the VMCT is to be mounted between studs, drill two holes in the drywall or wall material using the 3/8 inch drill bit; then, insert the Anchors (D) and secure the Wall Plate as shown in Diagram 1B

Diagram 1A

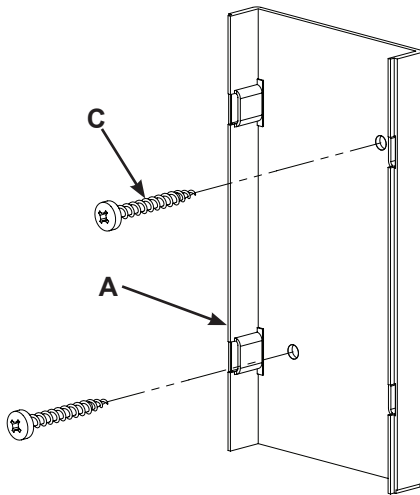
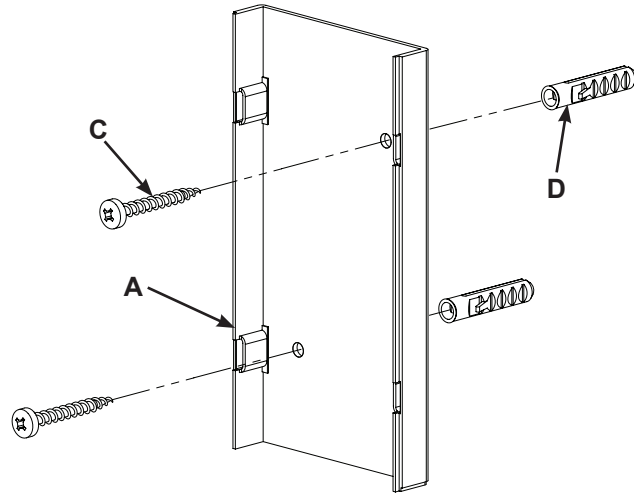


Diagram 1B



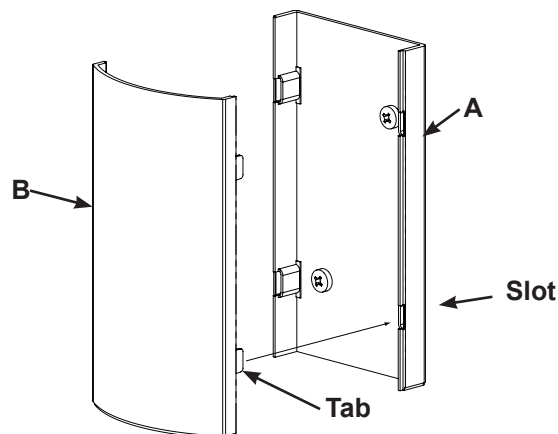
Step 2: Wire Management and Cover Installation

NOTE:

Make sure all wires and cables are between the right and left edge of the Wall Plate (A) prior to installing the Cover (B).

Press fit the Cover (B) onto the Wall Plate (A) so each Tab on the Cover fits into each Slot in the Wall Plate as shown in Diagram 2.

Diagram 2



Free Manuals Download Website

<http://myh66.com>

<http://usermanuals.us>

<http://www.somanuals.com>

<http://www.4manuals.cc>

<http://www.manual-lib.com>

<http://www.404manual.com>

<http://www.luxmanual.com>

<http://aubethermostatmanual.com>

Golf course search by state

<http://golfingnear.com>

Email search by domain

<http://emailbydomain.com>

Auto manuals search

<http://auto.somanuals.com>

TV manuals search

<http://tv.somanuals.com>