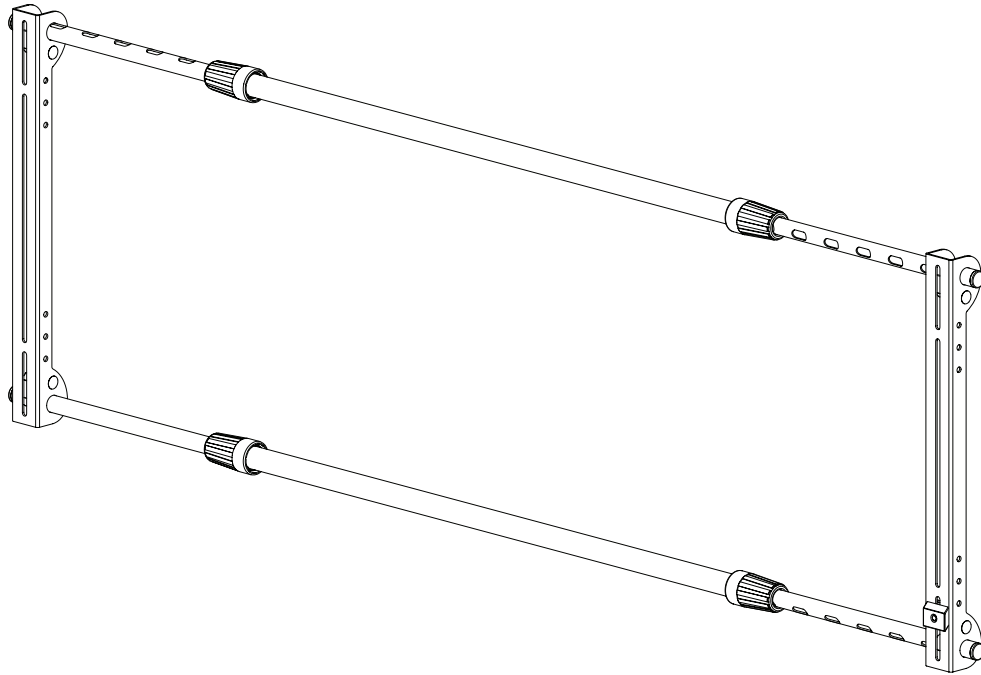


SANUS | SYSTEMS

LAS1A

(6901-100147 <01>)



Thank you for choosing the Sanus Systems LAS1A. The LAS1A is designed to mount speakers on each side of a large VisionMount full motion TV mount. The LAS1A will support speakers weighing up to 11 kg (25 lbs.) each.

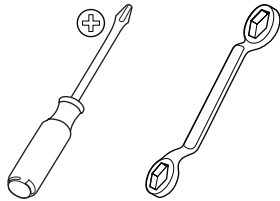
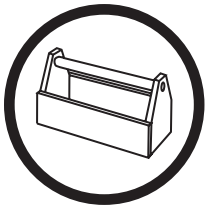
⚠ CAUTION

Do not use this product for any purpose not explicitly specified by Sanus Systems. Improper installation may cause property damage or personal injury. If you do not understand these directions, or have doubts about the safety of the installation, contact Sanus Systems Customer Service or call a qualified contractor. Sanus Systems is not liable for damage or injury caused by incorrect mounting, assembly, or use.

⚠ WARNING

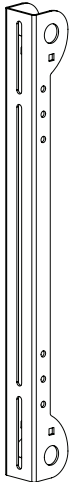
This product contains small items that could be a choking hazard if swallowed. Keep these items away from young children!

Sanus Systems 2221 Hwy 36 West, Saint Paul, MN 55113 USA
Customer Service: 1-800-359-5520 • info@sanus.com • www.sanus.com

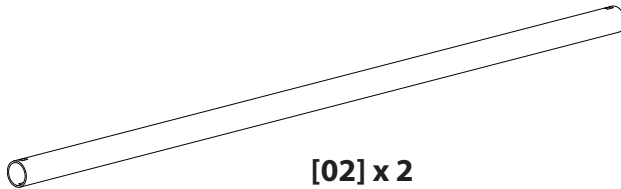


Supplied Parts and Hardware

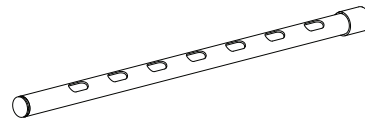
Before starting assembly, verify all parts are included and undamaged. If any parts are missing or damaged, do not return the item to your dealer; contact Sanus Systems Customer Service. Never use damaged parts!



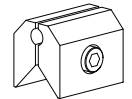
[01] x 2



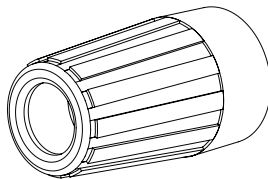
[02] x 2



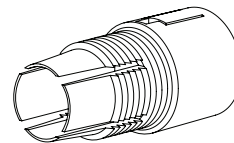
[03] x 4



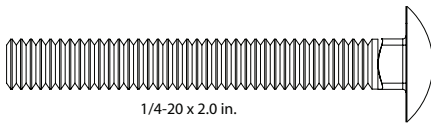
[04] x 4



[05] x 4

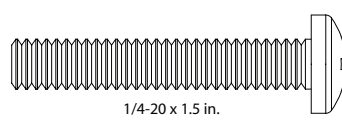


[06] x 4



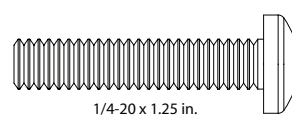
1/4-20 x 2.0 in.

[07] x 4



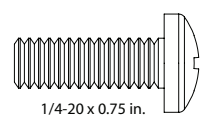
1/4-20 x 1.5 in.

[08] x 4



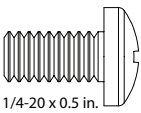
1/4-20 x 1.25 in.

[09] x 4



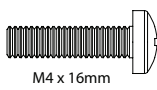
1/4-20 x 0.75 in.

[10] x 4



1/4-20 x 0.5 in.

[11] x 4



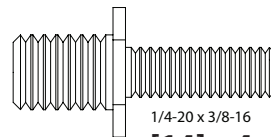
M4 x 16mm

[12] x 4



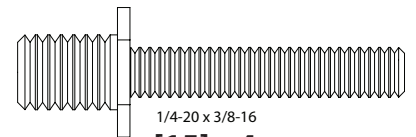
M4 x 35mm

[13] x 4



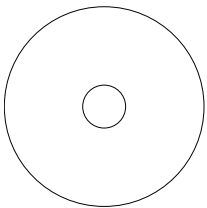
1/4-20 x 3/8-16

[14] x 4



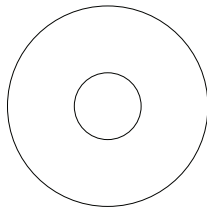
1/4-20 x 3/8-16

[15] x 4



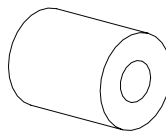
M4

[16] x 4



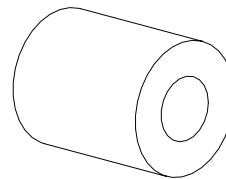
M6

[17] x 4



M4

[18] x 4



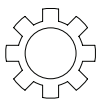
M6

[19] x 4



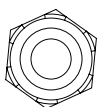
M4

[20] x 4



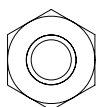
M6

[21] x 4



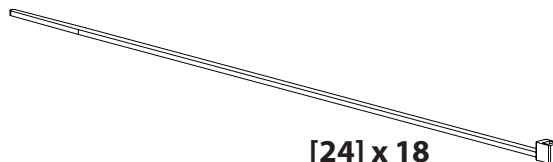
1/4-20 Nyloc

[22] x 4

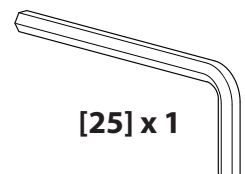


1/4-20

[23] x 4



[24] x 18



[25] x 1

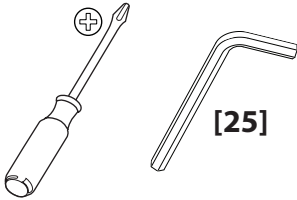
6901-100147 <01>

1: Preparation

1- 1: New Installations

If you have purchased a Sanus Systems large VisionMount™ Full Motion Mount, but have not installed it, begin by following the large VisionMount™ Full Motion Mount instructions. Replace **Cross Tube Installation** with **Step 2: Cross Tube Installation** of the LAS1A instructions. When completed, refer back to this Instruction manual, starting at **Step 3: Install Extension Tubes**.

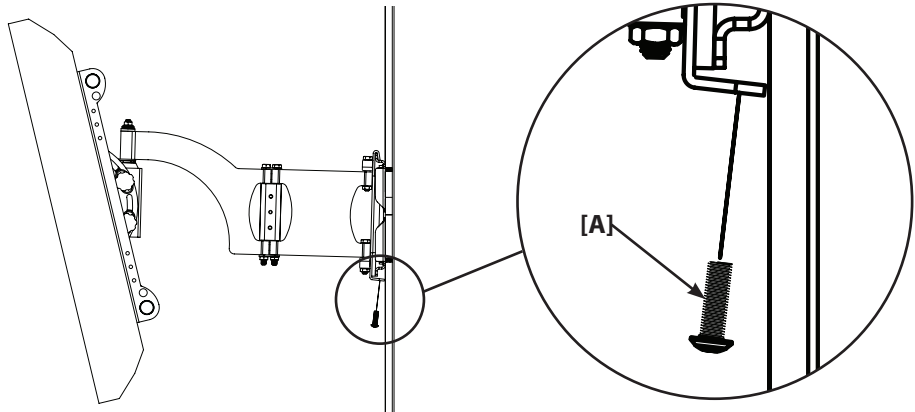
1- 2: Existing Installations



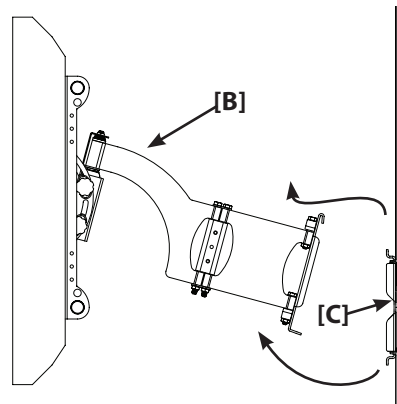
NOTE

All graphics in this section are generic and are only used to illustrate a procedure.

Disconnect all electrical connections and release all cables from any cable tie downs. Remove the safety bolt [A] as shown.

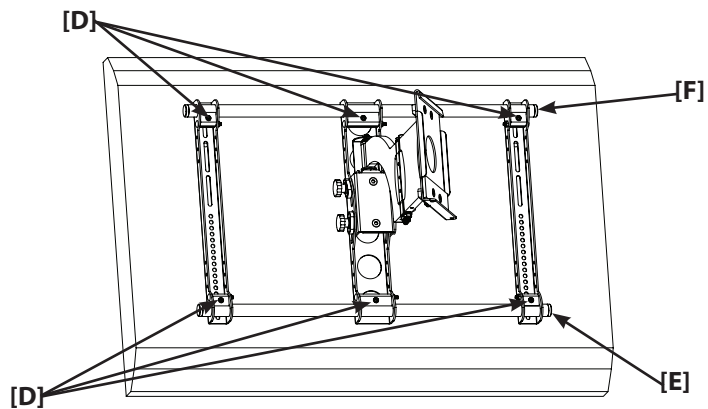


Lift the TV and arm assembly [B] off the wall plate [C] as shown. Lean the assembly against a wall or other vertical surface.

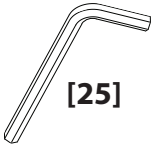


HEAVY! You will need assistance with this step.

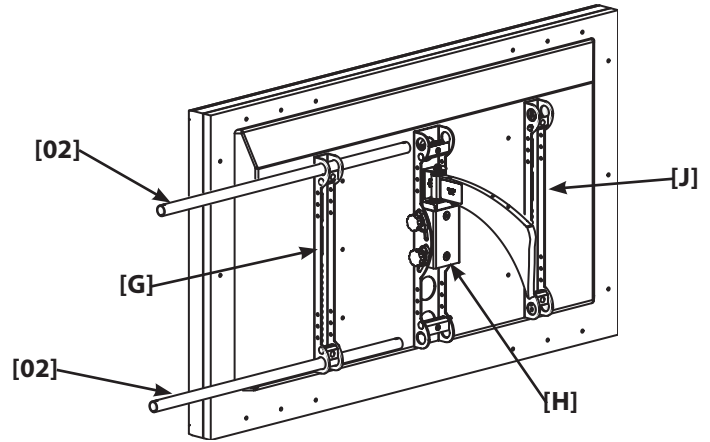
Using an Allen Key, loosen the six vise assemblies [D]. Remove the lower cross tube [E]; then, remove the upper cross tube [F] as shown.



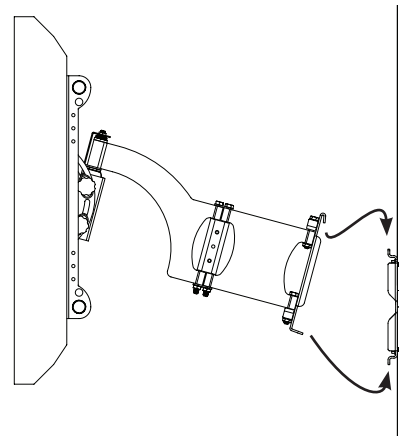
2: Cross Tube Installation



Slide the cross tubes [02] into the first monitor bracket [G], through the arm assembly [H] and then through the second monitor bracket [J]. Center the cross tubes on the back of the TV. Using the Allen Key, tighten the six vise assemblies until the cross tubes no longer rotate.



Attach the TV and arm assembly to the wall plate according to the instructions provided with the large VisionMount™ Full Motion Mount.



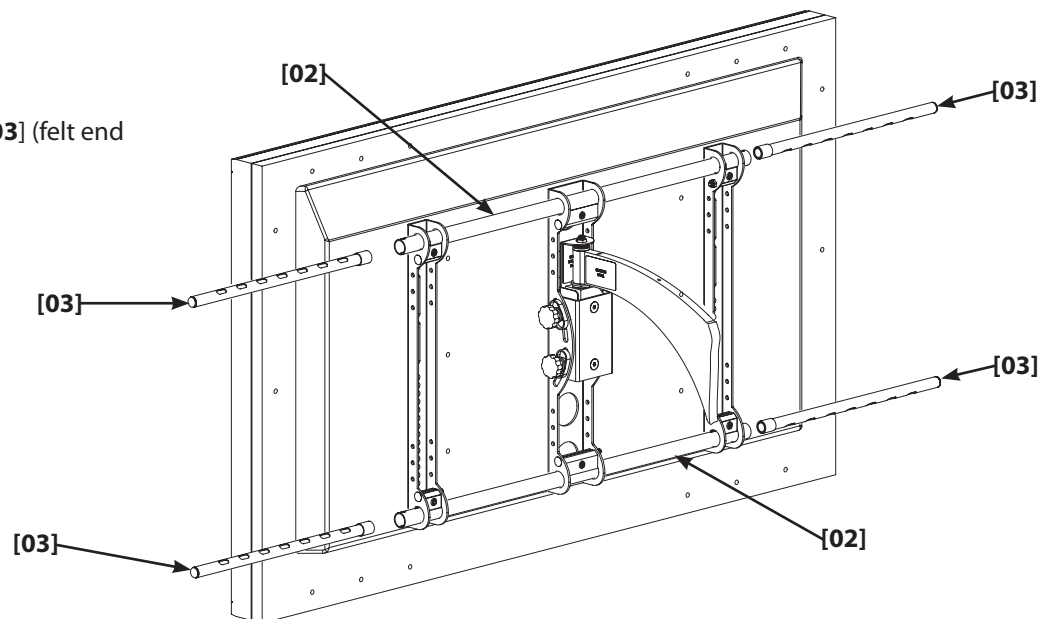
HEAVY! You will need assistance with this step.

NOTE

If you no longer have your VisionMount™ Installation Manual, download one from www.Sanus.com or call Sanus Systems Customer Service.

3: Install Extension Tubes

Slide the four extension tubes [03] (felt end first) into the cross tubes [02].



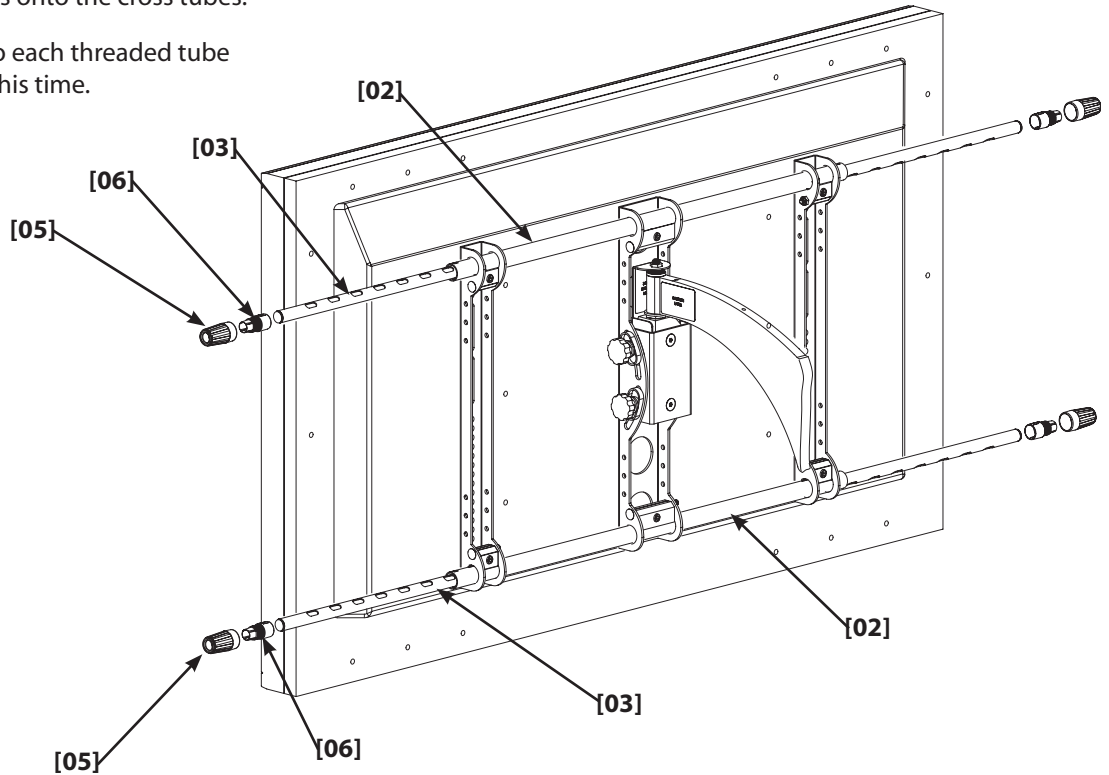
6901-100147 <01>

4: Install Threaded Tube Clamp & Clamp Knob

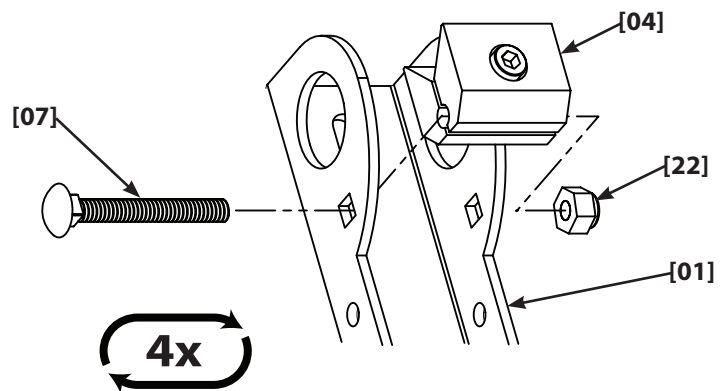
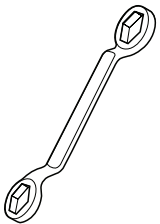
Slide the threaded tube clamps [05] onto the extension tubes [03], aligning the notches in the threaded tube clamp and cross tubes [02].

Snap the threaded tube clamps onto the cross tubes.

Thread a clamp knob [04] onto each threaded tube clamp [05]. Do not tighten at this time.



5: Secure Vise Assemblies to Brackets



NOTE

Do not overtighten the nut [22]. The vise assembly [04] must rotate freely around the carriage bolt [07].

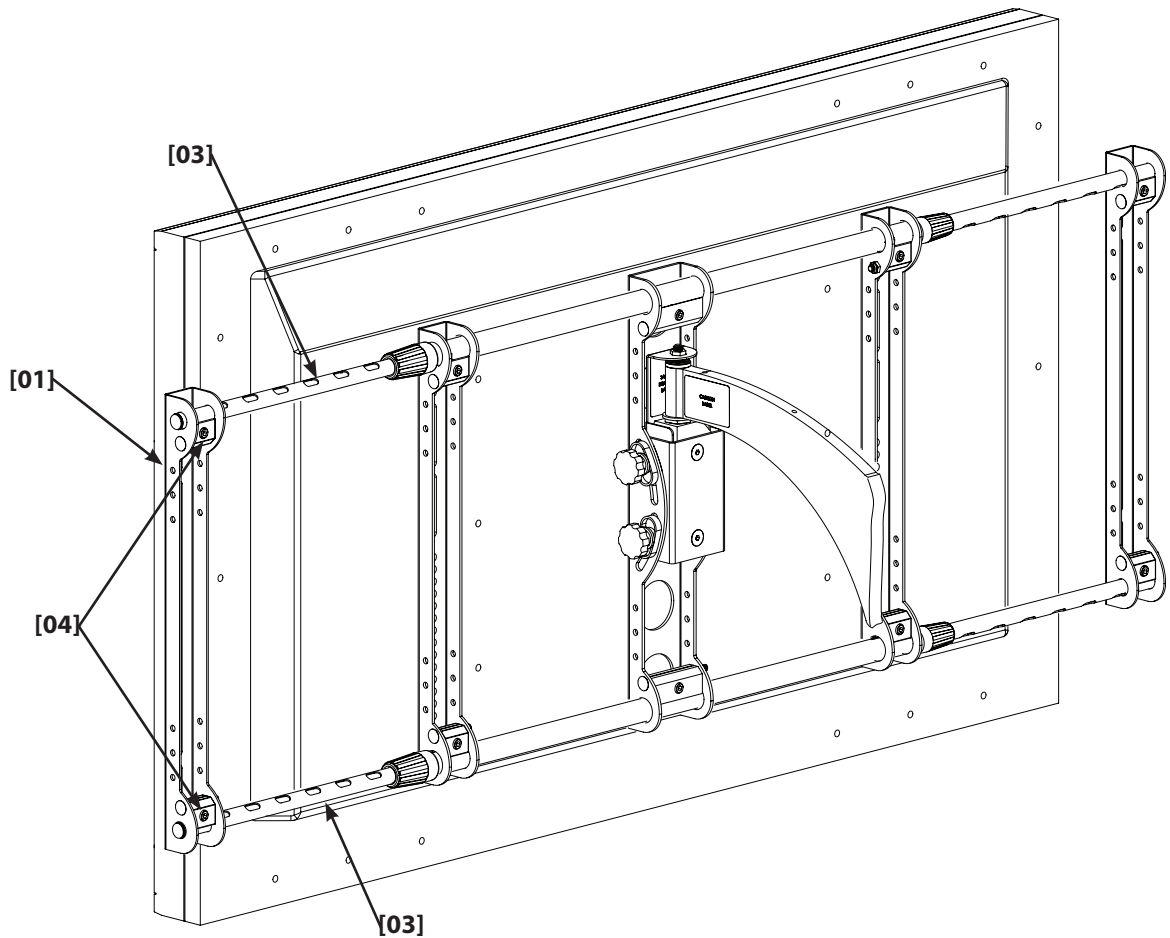
6: Attach Speaker Brackets



Slide the speaker brackets [01] into the extension tubes [03]. Use the Allen key to tighten the four vise assemblies [04] until the speaker brackets do not slide on the extension tubes.

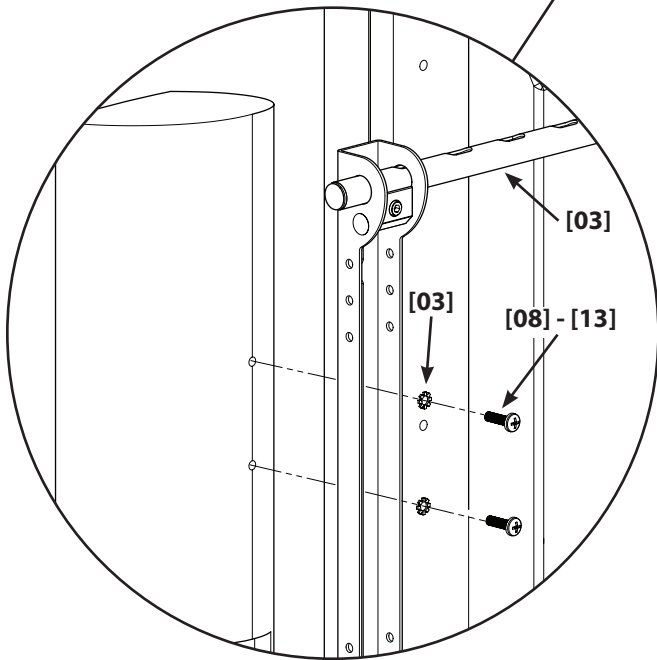
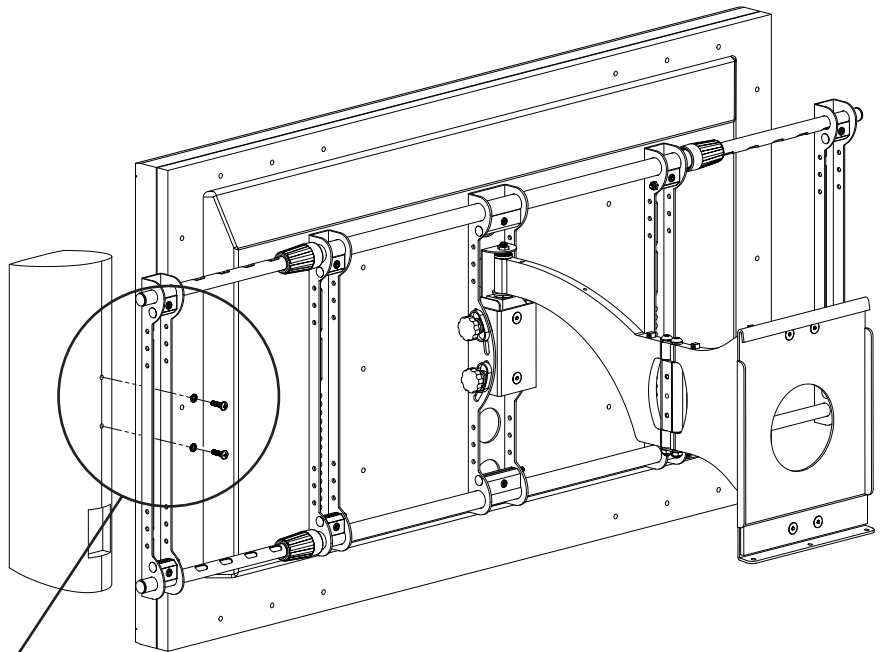
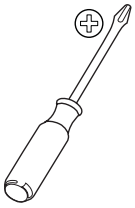
NOTE

Maximum extension of the cross tubes is 145cm (57 in.). Do not exceed the maximum extension.



7: Attach Speakers

7 - 1: Attach Speakers Using Threaded Fasteners



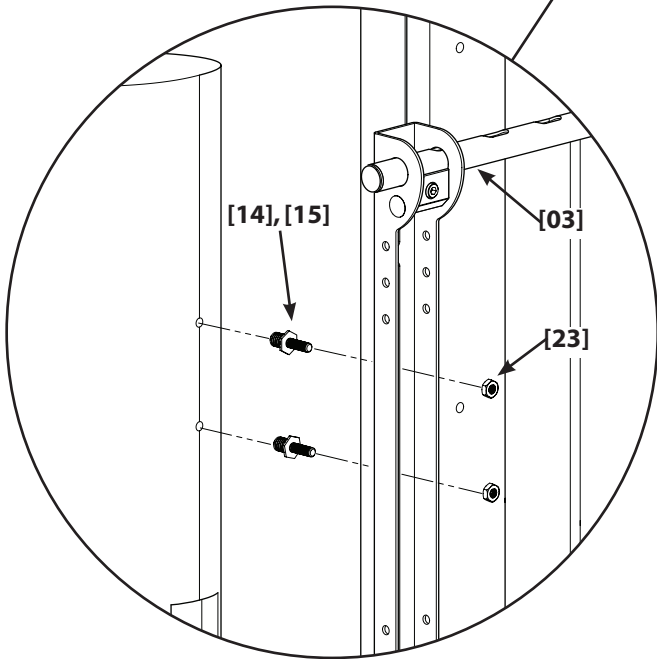
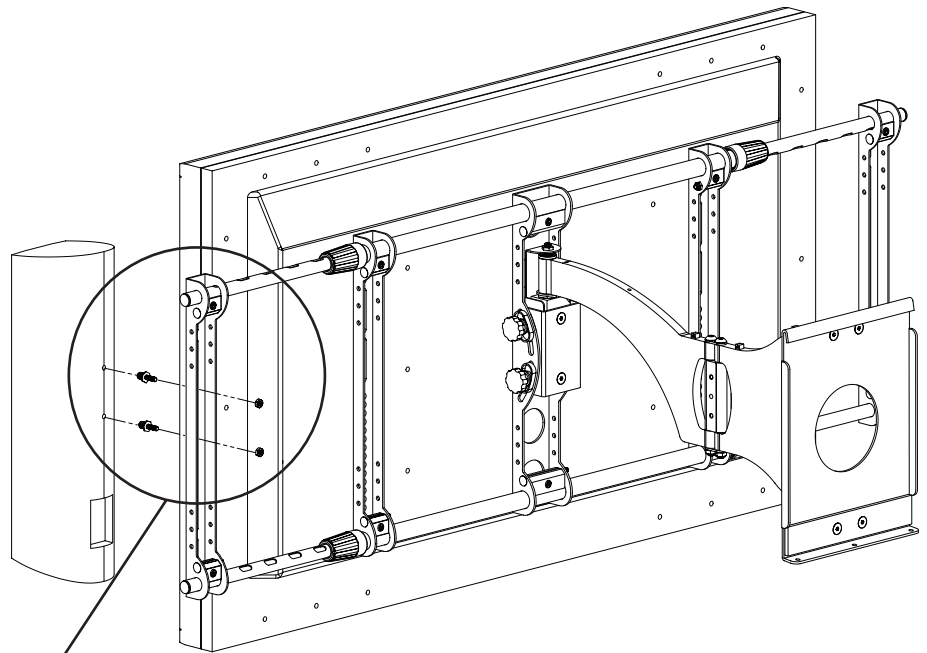
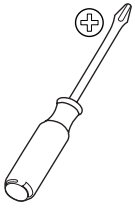
Determine the thread of the fastener required by threading each size fastener into the back of the speaker. Stop immediately if you encounter any resistance. Choose the correct thread size and fastener length for your speakers. If using M4 fasteners, [12] or [13], be sure to install the lock washer [20].

The speaker wires may be routed to the speaker terminals through the extension tubes [03]. Refer to the instructions provided with the large VisionMount™ Full Motion Mount for routing speaker wires.

CAUTION

Disconnect the speaker wire from the receiver or amplifier when you route it through the upper or lower extension tubes [03] to avoid damage to the speakers, amplifier, or receiver.

7 - 2: Attach Speakers Using Hex Studs



Choose the correct fastener length, [14] or [15] for your speakers.

The speaker wires may be routed to the speaker terminals through the extension tubes [03]. Refer to the instructions provided with the large VisionMount™ Full Motion Mount for routing speaker wires.



CAUTION

Disconnect the speaker wire from the receiver or amplifier when you route it through the upper or lower extension tubes [03] to avoid damage to the speakers, amplifier, or receiver.

CSAV, Inc. and its affiliated corporations and subsidiaries (collectively, "CSAV"), intend to make this manual accurate and complete. However, CSAV makes no claim that the information contained herein covers all details, conditions, or variations. Nor does it provide for every possible contingency in connection with the installation or use of this product. The information contained in this document is subject to change without notice or obligation of any kind. CSAV makes no representation of warranty, expressed or implied, regarding the information contained herein. CSAV assumes no responsibility for accuracy, completeness or sufficiency of the information contained in this document.

6901-100147 <01>

Free Manuals Download Website

<http://myh66.com>

<http://usermanuals.us>

<http://www.somanuals.com>

<http://www.4manuals.cc>

<http://www.manual-lib.com>

<http://www.404manual.com>

<http://www.luxmanual.com>

<http://aubethermostatmanual.com>

Golf course search by state

<http://golfingnear.com>

Email search by domain

<http://emailbydomain.com>

Auto manuals search

<http://auto.somanuals.com>

TV manuals search

<http://tv.somanuals.com>