

# SUBMITTAL SHEET



SYSTEM INDOOR/OUTDOOR

09KS51 KS0951/C0951

WALL MOUNT AIR CONDITIONER

SS09KS51-2

## GENERAL DATA (AT 115V)

POWER V/PH/HZ	115/1/60
Circuit Ampacity, Min. (A)	15
Fuse size, Max. (A)	15
COMPRESSOR	Rotary-Hermetic
No. used	1
R.L. Amps - L.R. Amps (A)	7.7-49
Crankcase Heater	
OUTDOOR FAN - TYPE	Propeller
Dia. (in.) - No. used	16-17/32 - 1
Type Drive - No. speeds	Direct - 1
No. Poles - RPM (High)	6 - 600
No. Motors - W	1 - 21.6
CFM (High)	1020
F.L. Amps. (A)	0.7
OUTDOOR COIL - TYPE	Aluminum Fin & Copper Pipe
Fin Type - Pipe Type	Slit Plate - Inner Flat
Rows - F.P.I.	1 - 18
Face Area (sq.ft.)	4.2
Tube Size (in.)	3/8
INDOOR FAN - TYPE	Cross-flow
Dia. & Length (in.) - No. used	3-3/4 & 24-9/32-1
No. speeds	3 & Auto
No. Poles -RPM (High)	4-1,200
No. Motors - W	1 - 18.2
CFM (HI/MED/LOW)	270/240/220
F.L. Amps (A)	0.4
INDOOR COIL - TYPE	Aluminum Fin & Copper Pipe
Fin Type - Pipe type	Slit Plate - Inner Flat
Rows - F.P.I.	2 - 18
Face Area (sq. ft.)	1.4
Tube Size (mm)	7
Drain Connection Size (in.)	23/32
REFRIGERANT	R22
Lbs. - R22 (O.D. Unit)	1.28
Control	Capillary Tube
Connection	Flare
Line Length, Max (ft.)	50
Lift difference, Max (ft.)	23
Line Size - in. O.D. Discharge	1/4
Line Size - in. O.D. Suction	3/8
DIMENSIONS (in.)	H x W x D
Indoor Unit -Uncrated	10-5/8 x 31-11/16 x 6-31/32
-Crated	9-13/16 x 33-21/32 x 13-5/16
Outdoor Unit -Uncrated	21-1/4 x 31-1/2 x 11-13/32
-Crated	23-31/32 x 38-5/8 x 16-3/16
WEIGHT	INDOOR OUTDOOR
Net (lbs.)	17.6 66.1
Shipping (lbs.)	22.0 75.0
Shipping Volume(cu.ft.)	2.51 8.67

## PERFORMANCE DATA @ ARI STANDARD CONDITIONS (115V)

COOLING		
Total Capacity (BTU/H)		9,000
Sensible Capacity (BTU/H)		6,420
Latent Capacity (BTU/H)		2,580
SEER		10.0
Dehumidification (Pints/H)		2.0
Amps (A)		8.8
Power Inputs (W)		900
Outdoor Sound Rating (bels)		7.0

## FEATURE

Controls	Microprocessor
Remote Controller	LCD Wireless type
Temperature Control	IC Thermostat
Timer ON/OFF, Night Setback	ProgramTimer
Air Louver (Horizontal)	Built-In
(Vertical)	Manual
Power Failure Automatic Restart	Auto
Self Diagnosis	Built-In
	N/A

## OPTION

Refrigerant Line Set	AP0905BH (15 ft)
	AP0907BH (20 ft)
	AP0910BH (30 ft)
Air Clean-Filter	STK-ARF4B
Fresh Air Intake	N/A
Central Remote ON-OFF Control	Available
Air duct Extension	N/A
Indoor Frame Extension	N/A
Condensate Drain Pump	Optional
Non-Removable Remo-con Bracket	Optional

## OPERATING RANGE

Cooling	Indoor Air Intake Temp.	Outdoor Air Intake Temp.
Maximum	95 F DB/71 F WB	115 F DB
Minimum	67 F DB/57 F WB	67 F DB

## CERTIFICATION



09KS51

# SUBMITTAL SHEET



SYSTEM INDOOR/OUTDOOR

09KLS51 KS0951/CL0951

WALL MOUNT LOW AMBIENT AIR CONDITIONER

SS09KLS51-2

## GENERAL DATA (AT 115V)

POWER V/PH/HZ	115/1/60		
Circuit Ampacity, Min. (A)	15		
Fuse size, Max. (A)	15		
COMPRESSOR	Rotary-Hermetic		
No. used	1		
R.L. Amps - L.R. Amps (A)	7.7-49		
Crankcase Heater	20W		
OUTDOOR FAN - TYPE	Propeller		
Dia. (in.) - No. used	16-17/32 - 1		
Type Drive - No. speeds	Direct - 1		
No. Poles - RPM (High)	6 - 600		
No. Motors - W	1 - 21.6		
CFM (High)	1020		
F.L. Amps. (A)	0.7		
OUTDOOR COIL - TYPE	Aluminum Fin & Copper Pipe		
Fin Type - Pipe Type	Slit Plate - Inner Flat		
Rows - F.P.I.	1 - 18		
Face Area (sq.ft.)	4.2		
Tube Size (in.)	3/8		
INDOOR FAN - TYPE	Cross-flow		
Dia. & Length (in.) - No. used	3-3/4 & 24-9/32-1		
No. speeds	3 & Auto		
No. Poles -RPM (High)	4-1,200		
No. Motors - W	1 - 18.2		
CFM (HI/MED/LOW)	270/240/220		
F.L. Amps (A)	0.4		
INDOOR COIL - TYPE	Aluminum Fin & Copper Pipe		
Fin Type - Pipe type	Slit Plate - Inner Flat		
Rows - F.P.I.	2 - 18		
Face Area (sq. ft.)	1.4		
Tube Size (mm)	7		
Drain Connection Size (in.)	23/32		
REFRIGERANT	R22		
Lbs. - R22 (O.D. Unit)	1.28		
Control	Capillary Tube		
Connection	Flare		
Line Length, Max (ft.)	50		
Lift difference, Max (ft.)	23		
Line Size - in. O.D. Discharge	1/4		
Line Size - in. O.D. Suction	3/8		
DIMENSIONS (in.)	H	x W	x D
Indoor Unit -Uncrated	10-5/8	x 31-11/16	x 6-31/32
-Crated	9-13/16	x 33-21/32	x 13-5/16
Outdoor Unit -Uncrated	21-1/4	x 31-1/2	x 11-13/32
-Crated	23-31/32	x 38-5/8	x 16-3/16
WEIGHT	INDOOR	OUTDOOR	
Net (lbs.)	17.6	66.1	
Shipping (lbs.)	22.0	75.0	
Shipping Volume (cu.ft.)	2.51	8.67	

## PERFORMANCE DATA @ ARI STANDARD CONDITIONS (115V)

COOLING		
Total Capacity (BTU/H)	9,000	
Sensible Capacity (BTU/H)	6,420	
Latent Capacity (BTU/H)	2,580	
SEER	10.0	
Dehumidification (Pints/H)	2.0	
Amps (A)	8.8	
Power Inputs (W)	900	
Outdoor Sound Rating (bels)	7.0	

## FEATURE

Controls	Microprocessor
Remote Controller	LCD Wireless type
Temperature Control	IC Thermostat
Timer ON/OFF, Night Setback	ProgramTimer
Air Louver (Horizontal)	Built-In
(Vertical)	Manual
Power Failure Automatic Restart	Auto
Self Diagnosis	Built-In
	N/A

## OPTION

Refrigerant Line Set	AP0905BH (15 ft)
	AP0907BH (20 ft)
	AP0910BH (30 ft)
Air Clean-Filter	STK-ARF4B
Fresh Air Intake	N/A
Central Remote ON-OFF Control	Available
Air duct Extension	N/A
Indoor Frame Extension	N/A
Condensate Drain Pump	Optional
Non-Removable Remo-con Bracket	Optional

## OPERATING RANGE

Cooling	Indoor Air Intake Temp.	Outdoor Air Intake Temp.
	Maximum 95 F DB/71 F WB	115 F DB
	Minimum 67 F DB/57 F WB	0 F DB

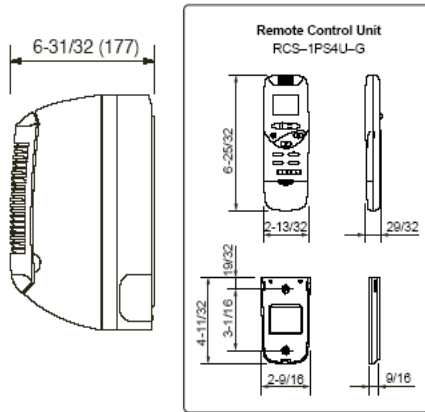
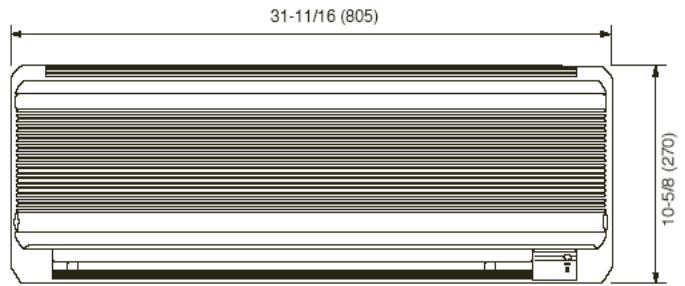
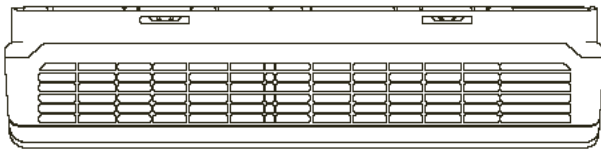
## CERTIFICATION



09KLS51

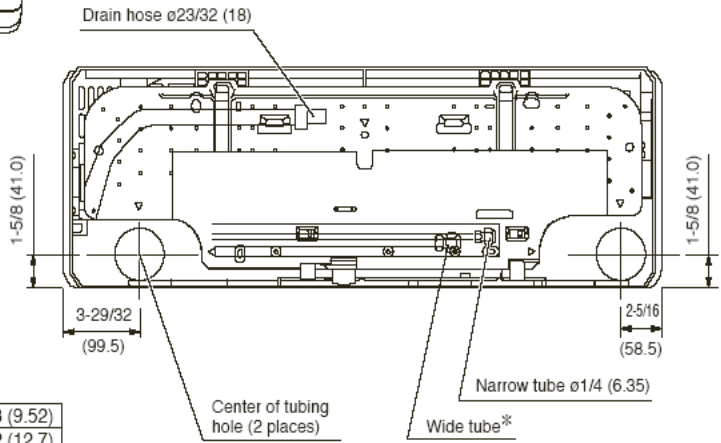
# DIMENSIONAL DATA

Indoor unit KS0951 / KS1251

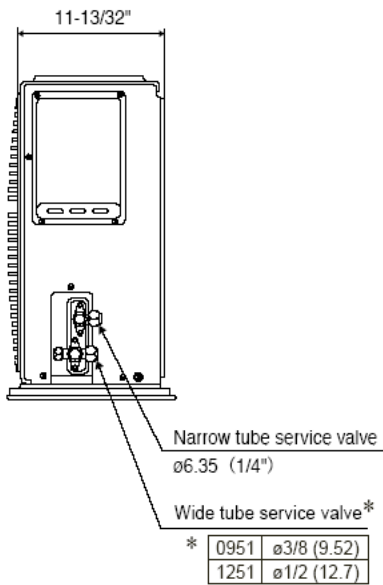
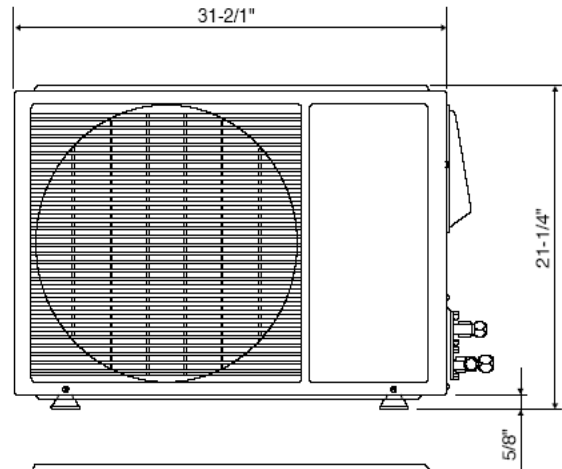
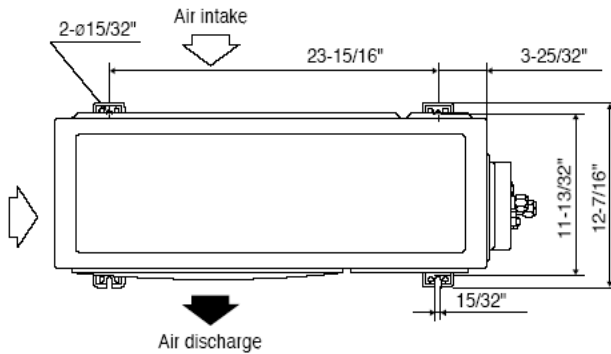


\*

KS0951	ø3/8 (9.52)
KS1251	ø1/2 (12.7)

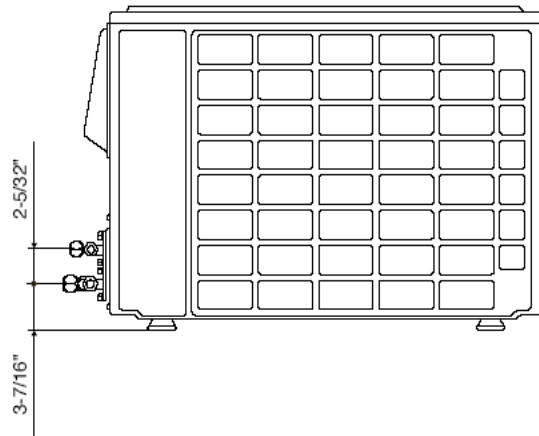


Outdoor unit C0951 / CL0951 / C1251 / CL1251



\*

0951	ø3/8 (9.52)
1251	ø1/2 (12.7)



## WARRANTY

SANYO products are warranted against defects in materials and workmanship for the period below;

	LABOR	PARTS
Compressor	30 Days	5 Years
Other Components	N/A	1 Year

Full specific warranty rights, conditions, exclusions and obligations are specified in the warranty packed with each products.

Because of a policy of continuous product improvements, SANYO reserves the right to change specifications and design without notice.

**SANYO FISHER COMPANY**  
 A Division of SANYO North America Corporation  
 21605 Plummer St. Chatsworth, CA 91311  
 Phone : (818) 998- 7322  
 Fax : (818) 701- 4160  
 Website: <http://www.sanyohvac.com>

## Free Manuals Download Website

<http://myh66.com>

<http://usermanuals.us>

<http://www.somanuals.com>

<http://www.4manuals.cc>

<http://www.manual-lib.com>

<http://www.404manual.com>

<http://www.luxmanual.com>

<http://aubethermostatmanual.com>

Golf course search by state

<http://golfingnear.com>

Email search by domain

<http://emailbydomain.com>

Auto manuals search

<http://auto.somanuals.com>

TV manuals search

<http://tv.somanuals.com>