

Split System Submittal Data



Building Life.

System: 09KS71 Indoor/Outdoor: KS0971/C0971
Wall Mounted Air Conditioner

Job Name: _____
 Location: _____
 Engineer: _____
 Submitted to: _____
 Submitted by: _____
 Reference: _____

Approval: _____
 Date: _____
 Construction: _____
 Unit #: _____
 Drawing #: _____



General Data (at 115V)

| Power | V/PH/Hz | 115/1/60 |
|------------------|---------|----------|
| Circuit Ampacity | (A) | 20 |
| Fuse Size, Max. | (A) | 20 |

| Compressor | | DC Rotary Inverter |
|------------------|-----|--------------------|
| No. used | | 1 |
| R.L. Amps - L.R. | (A) | 7.6 - 20 |
| Crankcase Heater | | N/A |

| Outdoor Unit | | |
|-------------------------|--------|-----------|
| Fan type | | Propeller |
| Dia. (in.) - No. Speeds | | 15-3/4-1 |
| Type Drive - No. Speeds | | DC Motor |
| No. Poles | (RPM) | 8 - 750 |
| No. Motors | (W) | 50 - 1 |
| CFM | (High) | 883 |
| F.L. Amps | (A) | 0.6 |

| | | Aluminum Fin & Copper Pipe |
|----------------------|----------|----------------------------------|
| Coil Type | | |
| Fin Type - Pipe Type | | Corrugated Plate - Inner Riffled |
| Rows - F.P.I. | | 2 - 18.1 |
| Face Area | (sq.ft.) | 3.1 |
| Tube Size | (in.) | 5/16" |

| Indoor Unit | | |
|----------------------------------|-------------|----------------------|
| Fan type | | Cross Flow |
| Dia. & Length (in.) - No. Speeds | | 3-11/16 24-31/32 - 1 |
| No. Speeds | | 3 & Auto |
| No. Poles | (RPM, High) | 4 - 1200 |
| No. Motors | (W) | 46 - 1 |
| CFM | (Hi/Med/Lo) | 282/247/200 |
| Indoor Sound Rating | (Hi) (dB-A) | 34 |
| F.L. Amps | (A) | 0.45 |

| | | Aluminum Plate Fin & Copper Tube |
|-----------------------|----------|----------------------------------|
| Coil Type | | |
| Fin Type - Pipe Type | | Slit Plate - Inner Riffled |
| Rows - F.P.I. | | 2 - 19.5 |
| Face Area | (sq.ft.) | 2.02 |
| Tube Size | (in.) | 9/32" |
| Drain Connection Size | (in.) | 23/32" |

| Refrigerant | | R410A |
|-----------------------------|----------------------|--------------------------|
| Lbs. - R410a (outdoor unit) | | 2.09 |
| Control | | Electric Expansion Valve |
| Connection | | Flare |
| Line Length, Max | | 50 |
| Lift Difference, Max | | 23 |
| Line Size | (in. O.D. Discharge) | 1/4" |
| Line Size | (in. O.D. Suction) | 3/8" |

| Dimensions | (in.) | H x W x D |
|--------------|------------|------------------------------|
| Indoor Unit | (Uncrated) | 11-7/32 x 32-15/32 x 7-7/16 |
| | (Crated) | 13-25/32 x 35-7/16 x 10-1/32 |
| Outdoor Unit | (Uncrated) | 21-9/16 x 28-11/32 x 10-7/16 |
| | (Crated) | 23-5/8 x 33-11/16 x 14-1/4 |

| Weight | | Indoor | Outdoor |
|-----------------|----------|--------|---------|
| Net | (lbs.) | 19.8 | 72.8 |
| Shipping | (lbs.) | 24.3 | 79.4 |
| Shipping Volume | | Indoor | Outdoor |
| | (cu.ft.) | 2.82 | 6.36 |

Performance Data @ ARI Standard Conditions (115V)

| Cooling | | |
|----------------------|-----------|---------------------|
| Total Capacity | (BTU/H) | 9,000 (3,000-9,000) |
| Sensible Capacity | (BTU/H) | 7,650 |
| Latent Capacity | (BTU/H) | 1,350 |
| SEER | | 16 |
| Dehumidification | (Pints/H) | 3.4 |
| Amps | (A) | 7.6 (2.5-7.6) |
| Power Inputs | (W) | 755 (250-755) |
| Outdoor Sound Rating | (dB-A) | 46 |

➔➔➔ Dimensions

Feature

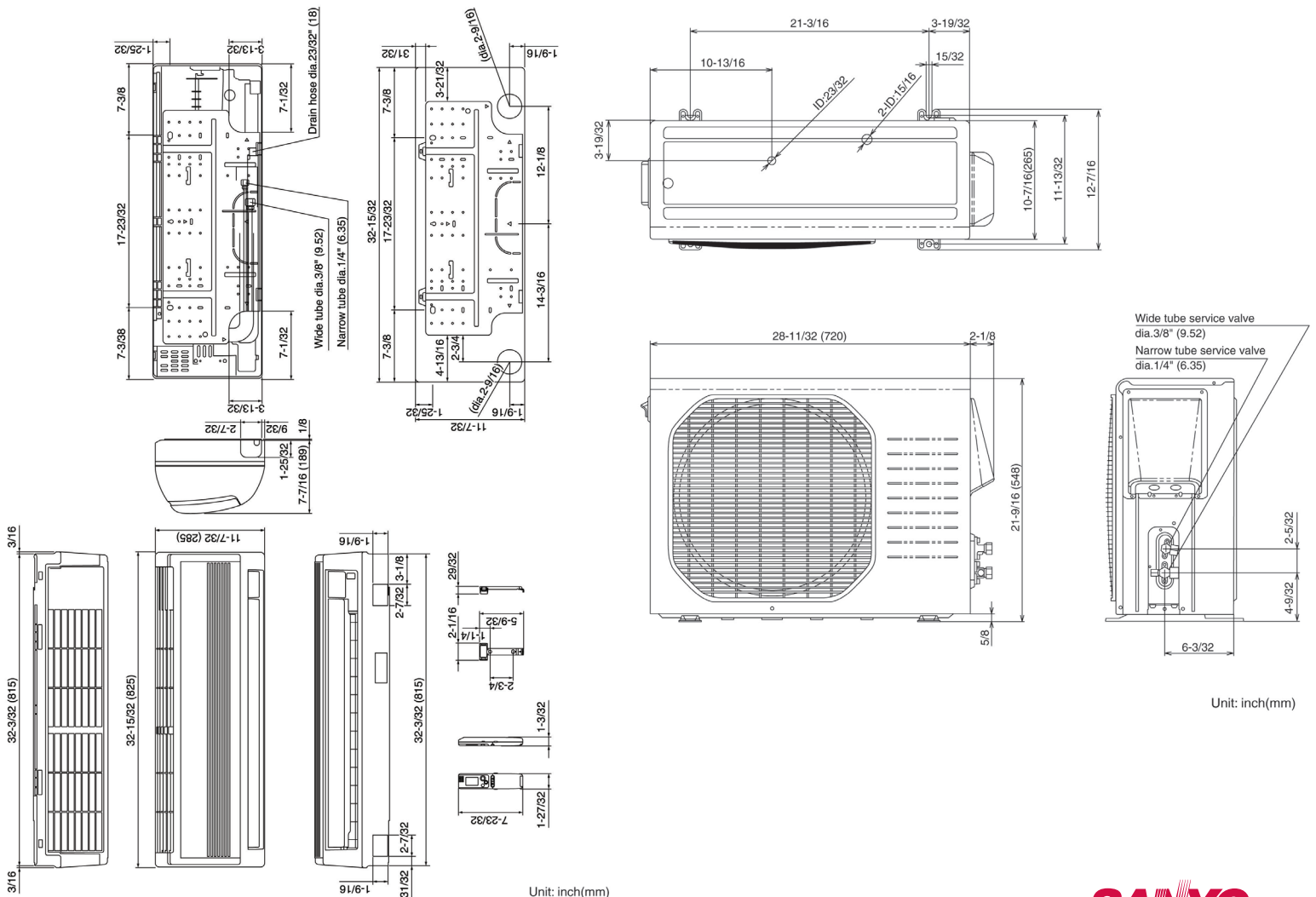
| | |
|--------------------------------------|--|
| Controls | Microprocessor |
| Remote Controller | LCD Wireless Type, Temp. Sensor Built In |
| Temperature Control | IC Thermostat |
| Timer | 24 Hr. Program, 1 Hr. Off |
| Night Setback | Built-In |
| Air Louver | Manual |
| | Automatic |
| Power Failure Automatic Restart | Built-In |
| Heating/Cooling Automatic Changeover | N/A |
| Self-Diagnosis | Built-In |
| Quiet Operation | Built-In |
| Air Filter | Washable, Anti-Mold |
| Ion Generator | Equipped |
| Air Clean Apatite Filer | Standard |

Option

| | |
|---------------------------------|-----------|
| Refrigerant Line Set | Available |
| Fresh Air Intake | N/A |
| Airduct Extension | N/A |
| Indoor Frame Extension | N/A |
| Condensate Drain Pump | Available |
| Non-Removeable Remo-con Bracket | Available |

Operating Range

| | | | |
|---------|---------|-------------------------|--------------------------|
| | | Indoor Air Intake Temp. | Outdoor Air Intake Temp. |
| Cooling | Maximum | 95F DB/71F WB | 115F DB |
| | Minimum | 67F DB/57F WB | 67F DB |



SANYO

Sanyo Commercial Solutions
 A Division of SANYO North America
 1300 Michael Drive
 Wood Dale, IL 60191 USA
www.sanyohvac.com

Free Manuals Download Website

<http://myh66.com>

<http://usermanuals.us>

<http://www.somanuals.com>

<http://www.4manuals.cc>

<http://www.manual-lib.com>

<http://www.404manual.com>

<http://www.luxmanual.com>

<http://aubethermostatmanual.com>

Golf course search by state

<http://golfingnear.com>

Email search by domain

<http://emailbydomain.com>

Auto manuals search

<http://auto.somanuals.com>

TV manuals search

<http://tv.somanuals.com>