



Quick Connect Guides

SPW Standard PAC i Splits



intelligent comfort group

INNOVATIVE AIR CONDITIONING SOLUTIONS

Sanyo Quick Connect Guide

Indoor Unit Model
SPW 1:1 Inverter 185 H

Outdoor Unit Model
Standard PAC SPW CR 184 GVH56B

PIPING

SUCTION

1/2"

LIQUID

1/4"

GAS PRE CHARGE LENGTH

30m

ADDITIONAL CHARGE

20 g/m

MAXIMUM PIPING LENGTH

40m

INTERCONNECTING WIRING

SUGGESTED CABLE SIZE

0.75 mm (Shielded)

NUMBER OF CORES

2

POWER SUPPLY WIRING

INDOOR UNIT POWER SUPPLY

5a Single Phase

OUTDOOR UNIT POWER SUPPLY

16a Single Phase

REMOTE CONTROLLER WIRING

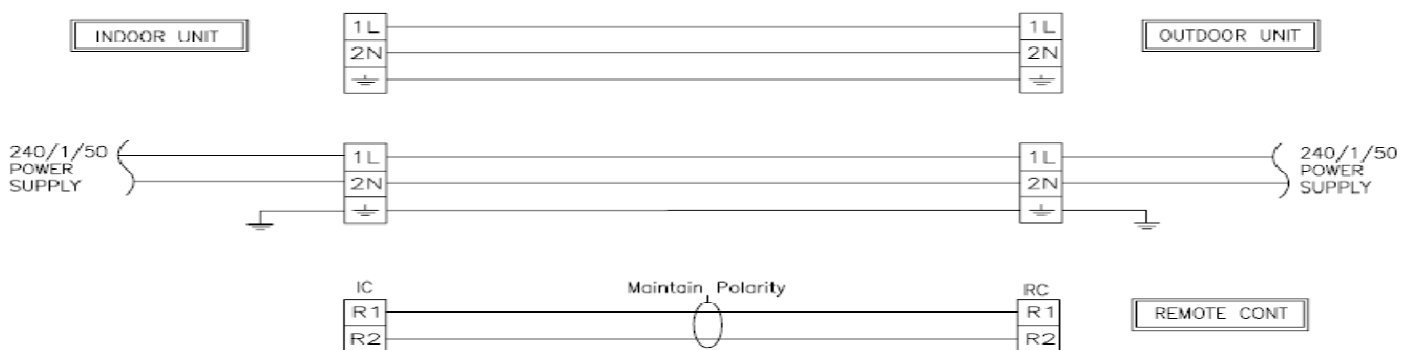
SUGGESTED CABLE SIZE

0.75 mm (Shielded)

NUMBER OF CORES

2

WIRING DIAGRAM



Fuses & Isolators Not Shown – All Electrical Works Should Be To IEE Regs
Indoor Unit Power Supply Can Be Separate Spur Or Looped From Outdoor And Terminated Fused Isolator
Interconnecting Cable (U1 & U2) 0.75 mm² Shielded

DOWNLOADS

[Installation Manual](#)

[Technical Data & Service Manual](#)

Sanyo Quick Connect Guide

Indoor Unit Model
SPW 1:1 Inverter 255 H

Outdoor Unit Model
Standard PAC SPW CR 254 GVH56B / GVH8B

PIPING

SUCTION

5/8"

LIQUID

3/8"

GAS PRE CHARGE LENGTH

30m

ADDITIONAL CHARGE

40 g/m

MAXIMUM PIPING LENGTH

50m

INTERCONNECTING WIRING

SUGGESTED CABLE SIZE

0.75 mm (Shielded)

NUMBER OF CORES

2

POWER SUPPLY WIRING

INDOOR UNIT POWER SUPPLY

5a Single Phase

OUTDOOR UNIT POWER SUPPLY

GVH56B 20a Single Phase - GVH8B 10a Three Phase

REMOTE CONTROLLER WIRING

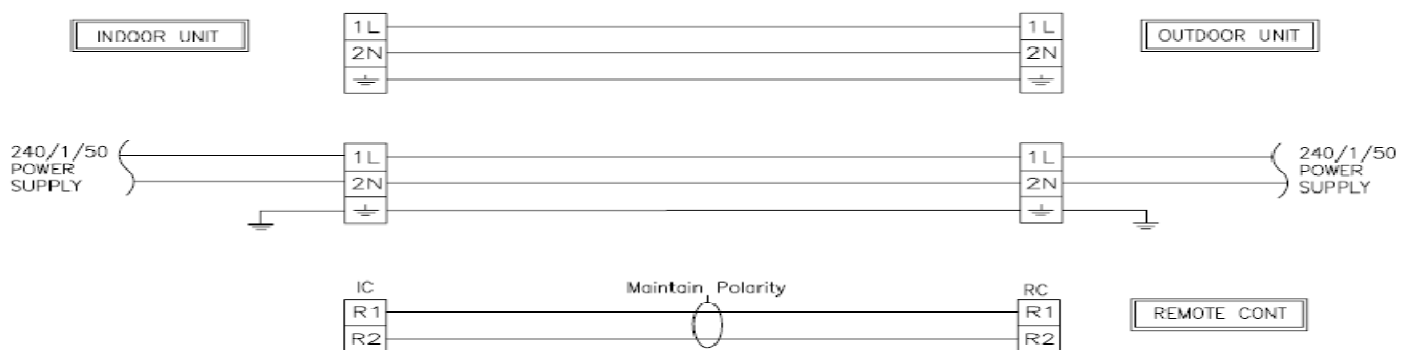
SUGGESTED CABLE SIZE

0.75 mm (Shielded)

NUMBER OF CORES

2

WIRING DIAGRAM



Fuses & Isolators Not Shown – All Electrical Works Should Be To IEE Regs
Indoor Unit Power Supply Can Be Separate Spur Or Looped From Outdoor And Terminated Fused Isolator
Interconnecting Cable (U1 & U2) 0.75 mm² Shielded

DOWNLOADS

[Installation Manual](#)

[Technical Data & Service Manual](#)

Sanyo Quick Connect Guide

Indoor Unit Model
SPW 1:1 Inverter 365 H

Outdoor Unit Model
Standard PAC SPW CR 364 GVH56B / GVH8B

PIPING

SUCTION

5/8"

LIQUID

3/8"

GAS PRE CHARGE LENGTH

30m

ADDITIONAL CHARGE

40 g/m

MAXIMUM PIPING LENGTH

50m

INTERCONNECTING WIRING

SUGGESTED CABLE SIZE

0.75 mm (Shielded)

NUMBER OF CORES

2

POWER SUPPLY WIRING

INDOOR UNIT POWER SUPPLY

5a Single Phase

OUTDOOR UNIT POWER SUPPLY

GVH56B 25a Single Phase - GVH8B 10a Three Phase

REMOTE CONTROLLER WIRING

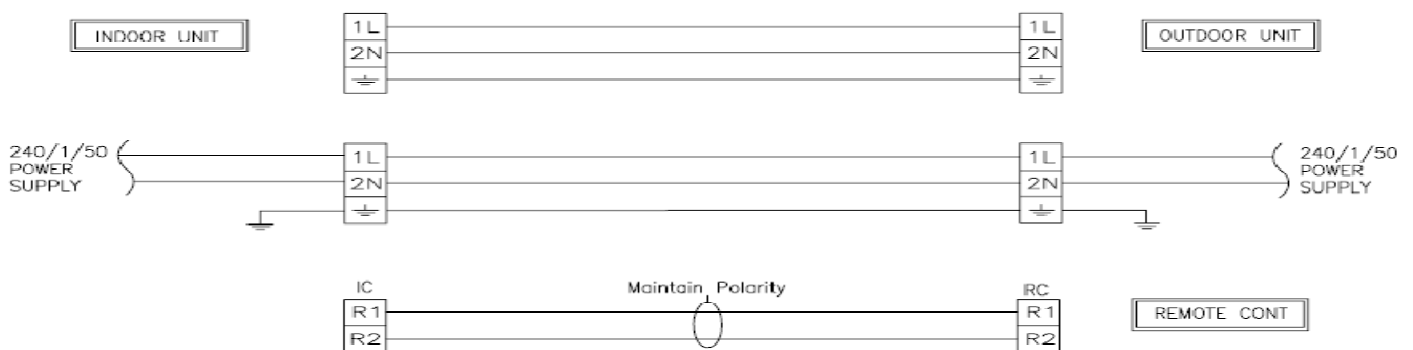
SUGGESTED CABLE SIZE

0.75 mm (Shielded)

NUMBER OF CORES

2

WIRING DIAGRAM



Fuses & Isolators Not Shown – All Electrical Works Should Be To IEE Regs
Indoor Unit Power Supply Can Be Separate Spur Or Looped From Outdoor And Terminated Fused Isolator
Interconnecting Cable (U1 & U2) 0.75 mm² Shielded

DOWNLOADS

[Installation Manual](#)

[Technical Data & Service Manual](#)

Sanyo Quick Connect Guide

Indoor Unit Model
SPW 1:1 Inverter 485 H

Outdoor Unit Model
Standard PAC SPW CR 484 GVH56B / GVH8B

PIPING

SUCTION

5/8"

LIQUID

3/8"

GAS PRE CHARGE LENGTH

30m

ADDITIONAL CHARGE

40 g/m

MAXIMUM PIPING LENGTH

50m

INTERCONNECTING WIRING

SUGGESTED CABLE SIZE

0.75 mm (Shielded)

NUMBER OF CORES

2

POWER SUPPLY WIRING

INDOOR UNIT POWER SUPPLY

5a Single Phase

OUTDOOR UNIT POWER SUPPLY

GVH56B 32a Single Phase - GVH8B 16a Three Phase

REMOTE CONTROLLER WIRING

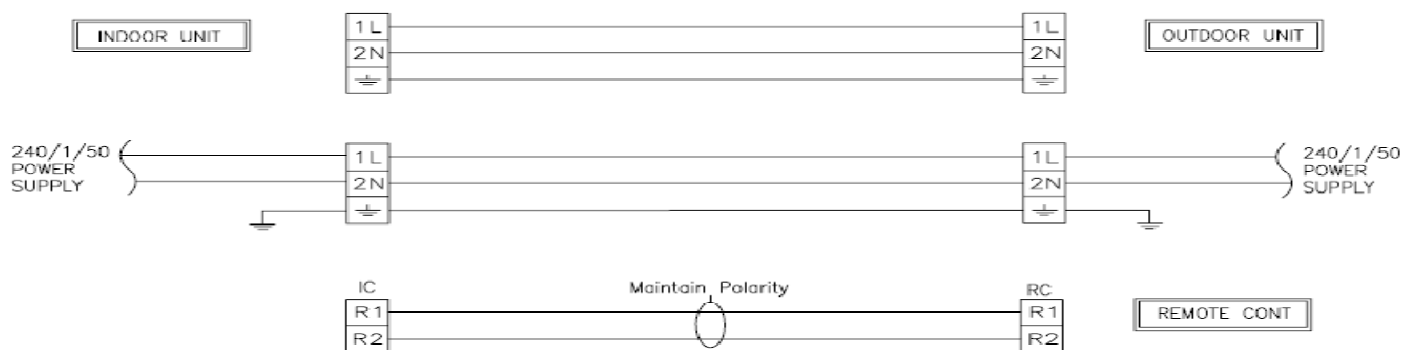
SUGGESTED CABLE SIZE

0.75 mm (Shielded)

NUMBER OF CORES

2

WIRING DIAGRAM



Fuses & Isolators Not Shown – All Electrical Works Should Be To IEE Regs
Indoor Unit Power Supply Can Be Separate Spur Or Looped From Outdoor And Terminated Fused Isolator
Interconnecting Cable (U1 & U2) 0.75 mm² Shielded

DOWNLOADS

[Installation Manual](#)

[Technical Data & Service Manual](#)

Sanyo Quick Connect Guide

Indoor Unit Model
SPW 1:1 Inverter 605 H

Outdoor Unit Model
Standard PAC SPW CR 604 GVH56B / GVH8B

PIPING

SUCTION

5/8"

LIQUID

3/8"

GAS PRE CHARGE LENGTH

30m

ADDITIONAL CHARGE

40 g/m

MAXIMUM PIPING LENGTH

50m

INTERCONNECTING WIRING

SUGGESTED CABLE SIZE

0.75 mm (Shielded)

NUMBER OF CORES

2

POWER SUPPLY WIRING

INDOOR UNIT POWER SUPPLY

5a Single Phase

OUTDOOR UNIT POWER SUPPLY

GVH56B 40a Single Phase - GVH8B 16a Three Phase

REMOTE CONTROLLER WIRING

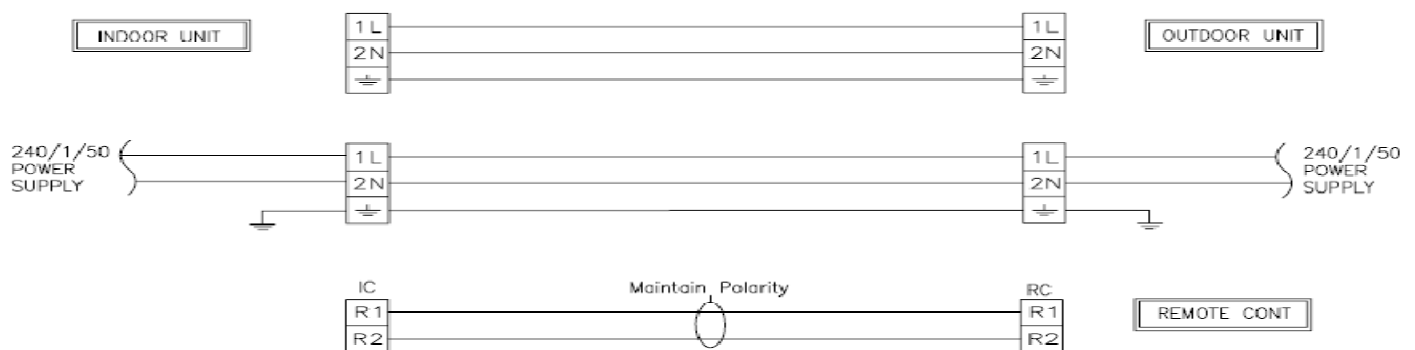
SUGGESTED CABLE SIZE

0.75 mm (Shielded)

NUMBER OF CORES

2

WIRING DIAGRAM



Fuses & Isolators Not Shown – All Electrical Works Should Be To IEE Regs
Indoor Unit Power Supply Can Be Separate Spur Or Looped From Outdoor And Terminated Fused Isolator
Interconnecting Cable (U1 & U2) 0.75 mm² Shielded

DOWNLOADS

[Installation Manual](#)

[Technical Data & Service Manual](#)

Sanyo Quick Connect Guide

Indoor Unit Model
SPW 2:1 Inverter 125 H

Outdoor Unit Model
Standard PAC SPW CR 484 GVH56B / GVH8B

PIPING

SUCTION

5/8" to joint 1/2" from joint to indoor

LIQUID

3/8" to joint 1/4" from joint to indoor

GAS PRE CHARGE LENGTH

30m

ADDITIONAL CHARGE

3/8" = 40 g/m & 1/4" = 20 g/m

MAXIMUM PIPING LENGTH

50m

INTERCONNECTING WIRING

SUGGESTED CABLE SIZE

0.75 mm (Shielded)

NUMBER OF CORES

2

POWER SUPPLY WIRING

INDOOR UNIT POWER SUPPLY

5a Single Phase

OUTDOOR UNIT POWER SUPPLY

GVH56B 32a Single Phase - GVH8B 16a Three Phase

REMOTE CONTROLLER WIRING

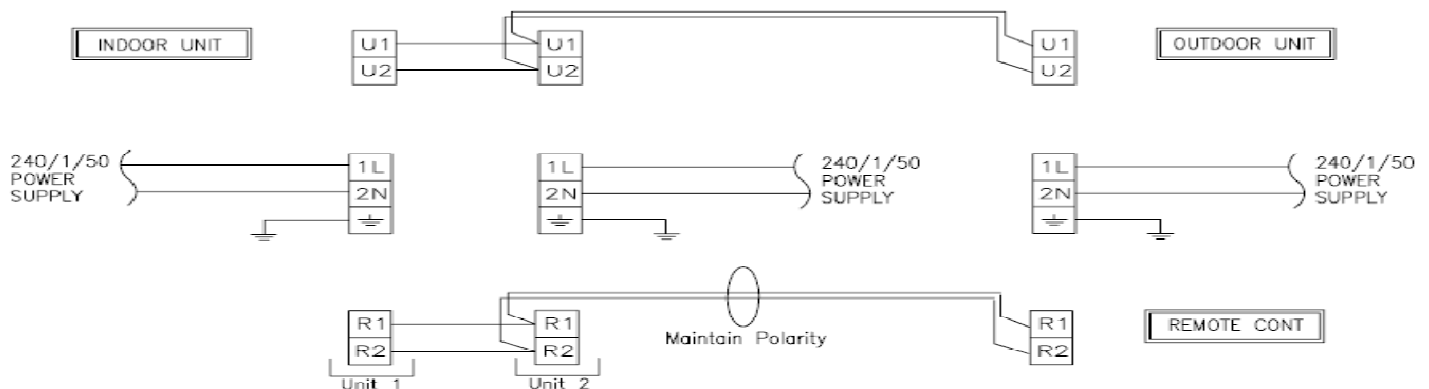
SUGGESTED CABLE SIZE

0.75 mm (Shielded)

NUMBER OF CORES

2

WIRING DIAGRAM



Fuses & Isolators Not Shown - All Electrical Works Should Be To IEE Regs
Indoor Unit Power Supply Can Be Separate Spur Or Looped From Outdoor And Terminated Fused Isolator
Interconnecting Cable (U1 & U2) 0.75 mm² Shielded

DOWNLOADS

[Installation Manual](#)

[Technical Data & Service Manual](#)

Sanyo Quick Connect Guide

Indoor Unit Model
SPW 2:1 Inverter 255 H

Outdoor Unit Model
Standard PAC SPW CR 484 GVH56B / GVH8B

PIPING

SUCTION

5/8"

LIQUID

3/8"

GAS PRE CHARGE LENGTH

30m

ADDITIONAL CHARGE

40 g/m

MAXIMUM PIPING LENGTH

50m

INTERCONNECTING WIRING

SUGGESTED CABLE SIZE

0.75 mm (Shielded)

NUMBER OF CORES

2

POWER SUPPLY WIRING

INDOOR UNIT POWER SUPPLY

5a Single Phase

OUTDOOR UNIT POWER SUPPLY

GVH56B 32a Single Phase - GVH8B 16a Three Phase

REMOTE CONTROLLER WIRING

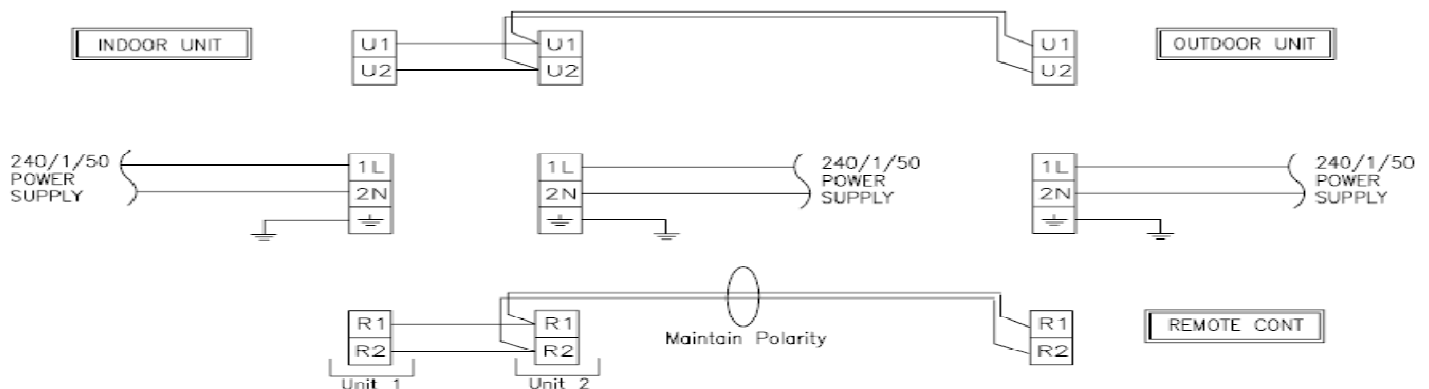
SUGGESTED CABLE SIZE

0.75 mm (Shielded)

NUMBER OF CORES

2

WIRING DIAGRAM



Fuses & Isolators Not Shown - All Electrical Works Should Be To IEE Regs
Indoor Unit Power Supply Can Be Separate Spur Or Looped From Outdoor And Terminated Fused Isolator
Interconnecting Cable (U1 & U2) 0.75 mm² Shielded

DOWNLOADS

[Installation Manual](#)

[Technical Data & Service Manual](#)

Sanyo Quick Connect Guide

Indoor Unit Model
SPW 3:1 Inverter 165 H

Outdoor Unit Model
Standard PAC SPW CR 484 GVH56B / GVH8B

PIPING

SUCTION

5/8" to joint 1/2" from joint to indoor

LIQUID

3/8" to joint 1/4" from joint to indoor

GAS PRE CHARGE LENGTH

30m

ADDITIONAL CHARGE

3/8" = 40 g/m & 1/4" = 20 g/m

MAXIMUM PIPING LENGTH

50m

INTERCONNECTING WIRING

SUGGESTED CABLE SIZE

0.75 mm (Shielded)

NUMBER OF CORES

2

POWER SUPPLY WIRING

INDOOR UNIT POWER SUPPLY

5a Single Phase

OUTDOOR UNIT POWER SUPPLY

GVH56B 32a Single Phase - GVH8B 16a Three Phase

REMOTE CONTROLLER WIRING

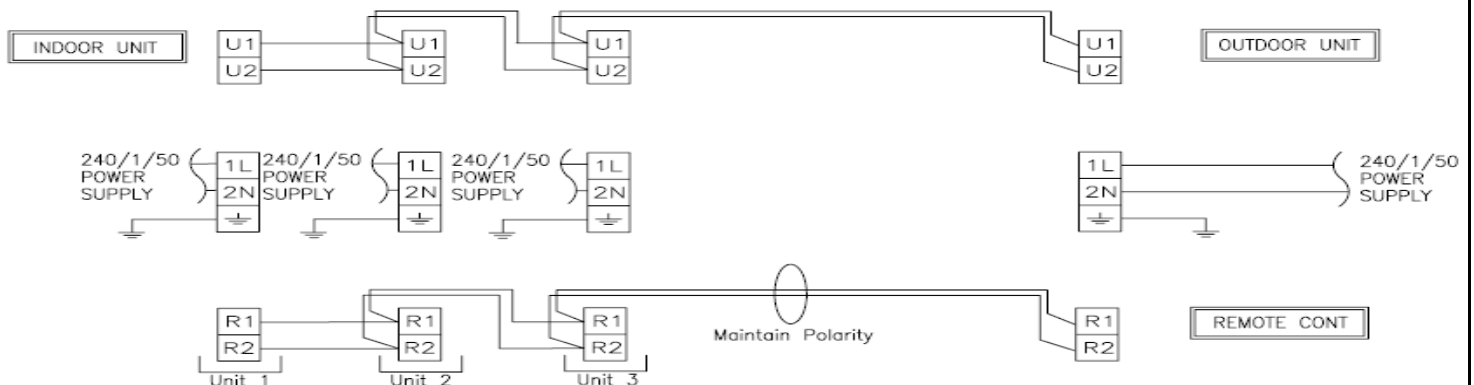
SUGGESTED CABLE SIZE

0.75 mm (Shielded)

NUMBER OF CORES

2

WIRING DIAGRAM



Fuses & Isolators Not Shown - All Electrical Works Should Be To IEE Regs
Indoor Unit Power Supply Can Be Separate Spur Or Looped From Outdoor And Terminated Fused Isolator
Interconnecting Cable (U1 & U2) 0.75 mm² Shielded

DOWNLOADS

[Installation Manual](#)

[Technical Data & Service Manual](#)

Sanyo Quick Connect Guide

Indoor Unit Model
SPW 3:1 Inverter 185 H

Outdoor Unit Model
Standard PAC SPW CR 604 GVH56B / GVH8B

PIPING

SUCTION

5/8" to joint 1/2" from joint to indoor

LIQUID

3/8" to joint 1/4" from joint to indoor

GAS PRE CHARGE LENGTH

30m

ADDITIONAL CHARGE

3/8" = 40 g/m & 1/4" = 20 g/m

MAXIMUM PIPING LENGTH

50m

INTERCONNECTING WIRING

SUGGESTED CABLE SIZE

0.75 mm (Shielded)

NUMBER OF CORES

2

POWER SUPPLY WIRING

INDOOR UNIT POWER SUPPLY

5a Single Phase

OUTDOOR UNIT POWER SUPPLY

GVH56B 40a Single Phase - GVH8B 16a Three Phase

REMOTE CONTROLLER WIRING

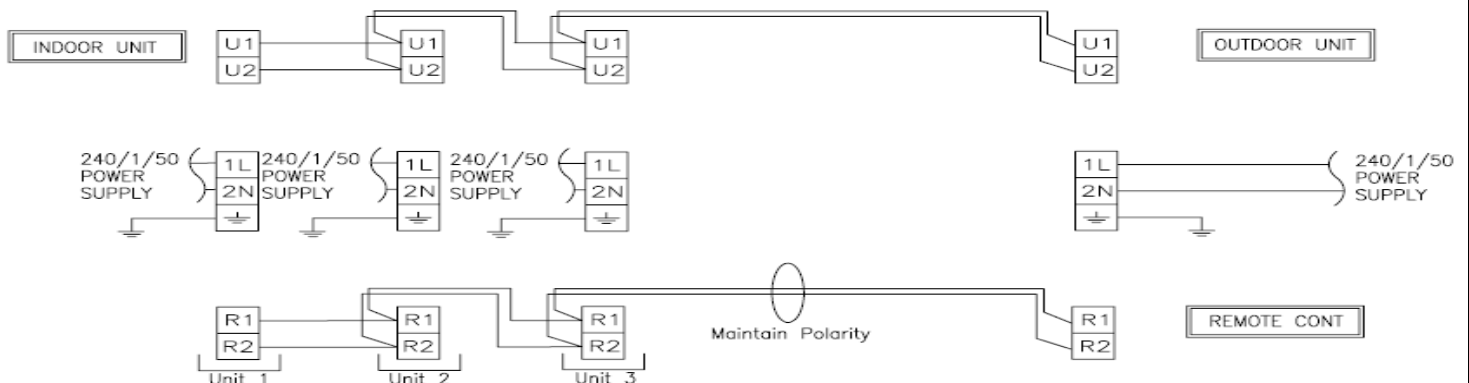
SUGGESTED CABLE SIZE

0.75 mm (Shielded)

NUMBER OF CORES

2

WIRING DIAGRAM



Fuses & Isolators Not Shown - All Electrical Works Should Be To IEE Regs
Indoor Unit Power Supply Can Be Separate Spur Or Looped From Outdoor And Terminated Fused Isolator
Interconnecting Cable (U1 & U2) 0.75 mm² Shielded

DOWNLOADS

[Installation Manual](#)

[Technical Data & Service Manual](#)

Sanyo Quick Connect Guide

Indoor Unit Model
SPW 4:1 Inverter 125 H

Outdoor Unit Model
Standard PAC SPW CR 484 GVH56B / GVH8B

PIPING

SUCTION

5/8" to joint 1/2" from joint to indoor

LIQUID

3/8" to joint 1/4" from joint to indoor

GAS PRE CHARGE LENGTH

30m

ADDITIONAL CHARGE

3/8" = 40 g/m & 1/4" = 20 g/m

MAXIMUM PIPING LENGTH

50m

INTERCONNECTING WIRING

SUGGESTED CABLE SIZE

0.75 mm (Shielded)

NUMBER OF CORES

2

POWER SUPPLY WIRING

INDOOR UNIT POWER SUPPLY

5a Single Phase

OUTDOOR UNIT POWER SUPPLY

GVH56B 32a Single Phase - GVH8B 16a Three Phase

REMOTE CONTROLLER WIRING

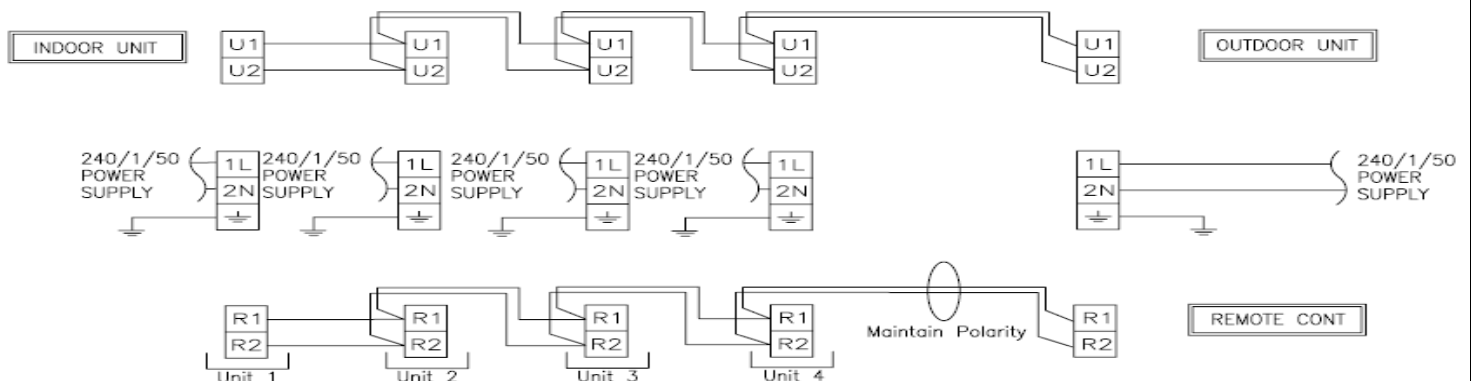
SUGGESTED CABLE SIZE

0.75 mm (Shielded)

NUMBER OF CORES

2

WIRING DIAGRAM



Fuses & Isolators Not Shown – All Electrical Works Should Be To IEE Regs
Indoor Unit Power Supply Can Be Separate Spur Or Looped From Outdoor And Terminated Fused Isolator
Interconnecting Cable (U1 & U2) 0.75 mm² Shielded

DOWNLOADS

[Installation Manual](#)

[Technical Data & Service Manual](#)

Sanyo Quick Connect Guide

Indoor Unit Model
SPW 4:1 Inverter 165 H

Outdoor Unit Model
Standard PAC SPW CR 604 GVH56B / GVH8B

PIPING

SUCTION

5/8" to joint 1/2" from joint to indoor

LIQUID

3/8" to joint 1/4" from joint to indoor

GAS PRE CHARGE LENGTH

30m

ADDITIONAL CHARGE

3/8" = 40 g/m & 1/4" = 20 g/m

MAXIMUM PIPING LENGTH

50m

INTERCONNECTING WIRING

SUGGESTED CABLE SIZE

0.75 mm (Shielded)

NUMBER OF CORES

2

POWER SUPPLY WIRING

INDOOR UNIT POWER SUPPLY

5a Single Phase

OUTDOOR UNIT POWER SUPPLY

GVH56B 40a Single Phase - GVH8B 16a Three Phase

REMOTE CONTROLLER WIRING

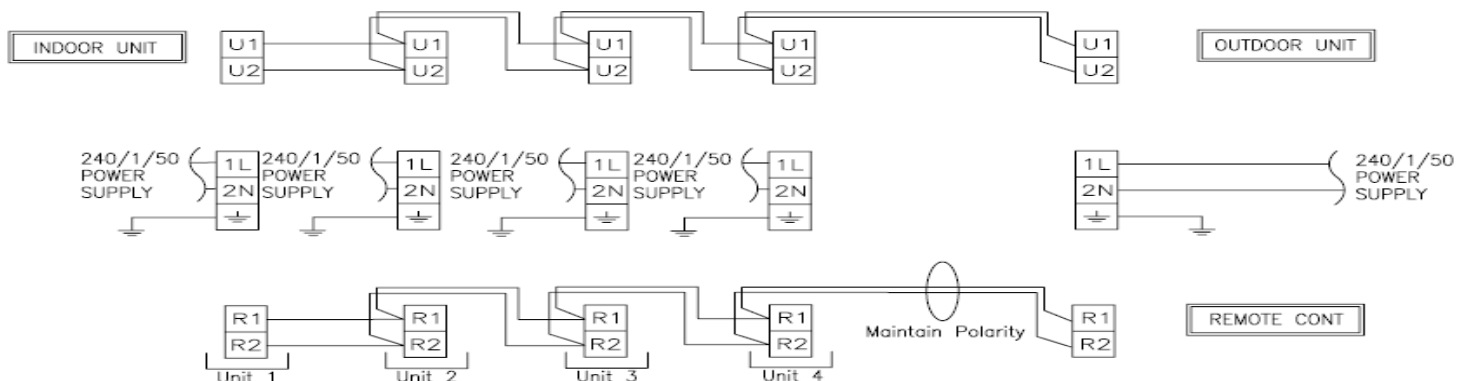
SUGGESTED CABLE SIZE

0.75 mm (Shielded)

NUMBER OF CORES

2

WIRING DIAGRAM



Fuses & Isolators Not Shown – All Electrical Works Should Be To IEE Regs
Indoor Unit Power Supply Can Be Separate Spur Or Looped From Outdoor And Terminated Fused Isolator
Interconnecting Cable (U1 & U2) 0.75 mm² Shielded

DOWNLOADS

[Installation Manual](#)

[Technical Data & Service Manual](#)

Free Manuals Download Website

<http://myh66.com>

<http://usermanuals.us>

<http://www.somanuals.com>

<http://www.4manuals.cc>

<http://www.manual-lib.com>

<http://www.404manual.com>

<http://www.luxmanual.com>

<http://aubethermostatmanual.com>

Golf course search by state

<http://golfingnear.com>

Email search by domain

<http://emailbydomain.com>

Auto manuals search

<http://auto.somanuals.com>

TV manuals search

<http://tv.somanuals.com>