

Split System Submittal Data

System: 12KLS71 Indoor/Outdoor: KS1271/CL1271
Wall Mounted Low Ambient Air Conditioner



Building Life.

Job Name: _____
 Location: _____
 Engineer: _____
 Submitted to: _____
 Submitted by: _____
 Reference: _____

Approval: _____
 Date: _____
 Construction: _____
 Unit #: _____
 Drawing #: _____



General Data (at 115V)

Power	V/PH/Hz	115/1/60
Circuit Ampacity	(A)	20
Fuse Size, Max.	(A)	20

Compressor		DC Rotary Inverter
No. used		1
R.L. Amps - L.R.	(A)	10.9 - 20
Crankcase Heater	(W)	20

Outdoor Unit		
Fan type		Propeller
Dia. (in.) - No. Speeds		15-3/4-1
Type Drive - No. Speeds		DC Motor
No. Poles	(RPM)	8 - 750
No. Motors	(W)	50 - 1
CFM	(High)	1059
F.L. Amps	(A)	0.6

		Aluminum Fin & Copper Pipe
Coil Type		
Fin Type - Pipe Type		Corrugated Plate - Inner Riffled
Rows - F.P.I.		2 - 18.1
Face Area	(sq.ft.)	3.95
Tube Size	(in.)	5/16"

Indoor Unit		
Fan type		Cross Flow
Dia. & Length (in.) - No. Speeds		3-11/16 24-31/32 - 1
No. Speeds		3 & Auto
No. Poles	(RPM, High)	4 - 1250
No. Motors	(W)	16 - 1
CFM	(Hi/Med/Lo)	294/259/212
Indoor Sound Rating	(Hi) (dB-A)	36
F.L. Amps	(A)	0.346

		Aluminum Plate Fin & Copper Tube
Coil Type		
Fin Type - Pipe Type		Slit Plate - Inner Riffled
Rows - F.P.I.		2 - 19.5
Face Area	(sq.ft.)	2.02
Tube Size	(in.)	9/32"
Drain Connection Size	(in.)	23/32"

Refrigerant		R410A
Lbs. - R410a (outdoor unit)		2.43
Control		Electric Expansion Valve
Connection		Flare
Line Length, Max		65
Lift Difference, Max		23
Line Size	(in. O.D. Discharge)	1/4"
Line Size	(in. O.D. Suction)	3/8"

Dimensions	(in.)	H x W x D
Indoor Unit	(Uncrated)	11-7/32 x 32-15/32 x 7-7/16
	(Crated)	13-25/32 x 35-7/16 x 10-1/32
Outdoor Unit	(Uncrated)	21-9/16 x 28-11/32 x 10-7/16
	(Crated)	23-5/8 x 33-11/16 x 14-1/4

Weight		Indoor	Outdoor
Net	(lbs.)	19.8	75.0
Shipping	(lbs.)	24.3	81.6
Shipping Volume		Indoor	Outdoor
	(cu.ft.)	2.82	6.36

Performance Data @ ARI Standard Conditions (115V)

Cooling		
Total Capacity	(BTU/H)	11,900 (3,000-11,900)
Sensible Capacity	(BTU/H)	9,100
Latent Capacity	(BTU/H)	2,800
SEER		17
Dehumidification	(Pints/H)	4.26
Amps	(A)	10.9 (2.5-10.9)
Power Inputs	(W)	1,090 (250-1,090)
Outdoor Sound Rating	(dB-A)	47

➔➔➔ Dimensions

Feature

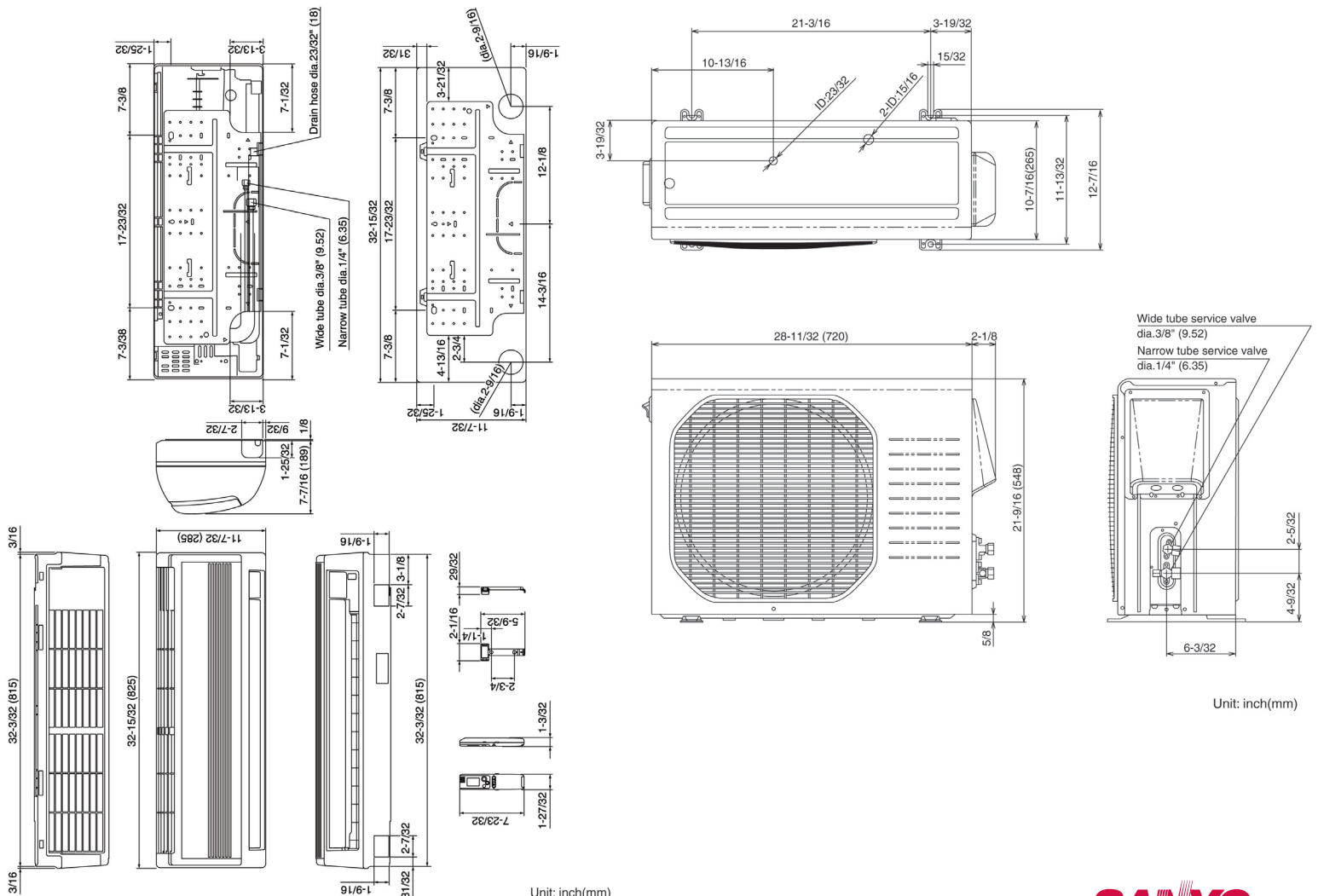
Controls	Microprocessor
Remote Controller	LCD Wireless Type, Temp. Sensor Built In
Temperature Control	IC Thermostat
Timer	24 Hr. Program, 1 Hr. Off
Night Setback	Built-In
Air Louver	Manual
	Automatic
Power Failure Automatic Restart	Built-In
Heating/Cooling Automatic Changeover	N/A
Self-Diagnosis	Built-In
Quiet Operation	Built-In
Air Filter	Washable, Anti-Mold
Ion Generator	Equipped
Air Clean Apatite Filer	Standard

Option

Refrigerant Line Set	Available
Fresh Air Intake	N/A
Airduct Extension	N/A
Indoor Frame Extension	N/A
Condensate Drain Pump	Available
Non-Removeable Remo-con Bracket	Available

Operating Range

		Indoor Air Intake Temp.	Outdoor Air Intake Temp.
Cooling	Maximum	95F DB/71F WB	115F DB
	Minimum	67F DB/57F WB	0F DB



Sanyo Commercial Solutions
A Division of SANYO North America
1300 Michael Drive
Wood Dale, IL 60191 USA
www.sanyohvac.com

Free Manuals Download Website

<http://myh66.com>

<http://usermanuals.us>

<http://www.somanuals.com>

<http://www.4manuals.cc>

<http://www.manual-lib.com>

<http://www.404manual.com>

<http://www.luxmanual.com>

<http://aubethermostatmanual.com>

Golf course search by state

<http://golfingnear.com>

Email search by domain

<http://emailbydomain.com>

Auto manuals search

<http://auto.somanuals.com>

TV manuals search

<http://tv.somanuals.com>