

# Split System Submittal Data



Building Life.

**System: 24KLS72 Indoor/Outdoor: KS2472/CL2472**  
**Wall Mounted Low Ambient Air Conditioner**

Job Name: \_\_\_\_\_  
 Location: \_\_\_\_\_  
 Engineer: \_\_\_\_\_  
 Submitted to: \_\_\_\_\_  
 Submitted by: \_\_\_\_\_  
 Reference: \_\_\_\_\_

Approval: \_\_\_\_\_  
 Date: \_\_\_\_\_  
 Construction: \_\_\_\_\_  
 Unit #: \_\_\_\_\_  
 Drawing #: \_\_\_\_\_



## General Data (at 230/208V)

Power	V/PH/Hz	230/208/1/60
Circuit Ampacity	(A)	20
Fuse Size, Max.	(A)	20

Compressor		DC Rotary Inverter
No. used		1
R.L. Amps - L.R.	(A)	9.6/10.9 - 17.5
Crankcase Heater	(W)	20

Outdoor Unit		
Fan type		Propeller
Dia. (in.) - No. Speeds		18 - 1/8 - 1
Type Drive - No. Speeds		DC Motor
No. Poles	(RPM)	8 - 850
No. Motors	(W)	90 - 1
CFM	(High)	600
F.L. Amps	(A)	0.7

		Aluminum Fin & Copper Pipe
Coil Type		
Fin Type - Pipe Type		Corrugated Plate - Inner Riffled
Rows - F.P.I.		2 - 18.1
Face Area	(sq.ft.)	6.4
Tube Size	(in.)	3/8"

Indoor Unit		
Fan type		Cross Flow
Dia. & Length (in.) - No. Speeds		3-11/16 33-9/32 - 1
No. Speeds		3 & Auto
No. Poles	(RPM, High)	8 - 1250
No. Motors	(W)	30 - 1
CFM	(Hi/Med/Lo)	600/541/482
Indoor Sound Rating	(Hi) (dB-A)	47
F.L. Amps	(A)	0.5

		Aluminum Plate Fin & Copper Tube
Coil Type		
Fin Type - Pipe Type		Slit Plate - Inner Riffled
Rows - F.P.I.		2 - 19.5
Face Area	(sq.ft.)	3.07
Tube Size	(in.)	9/32"
Drain Connection Size	(in.)	23/32"

Refrigerant		R410A
Lbs. - R410a (outdoor unit)		4.30
Control		Electric Expansion Valve
Connection		Flare
Line Length, Max		131
Lift Difference, Max		50
Line Size	(in. O.D. Discharge)	1/4"
Line Size	(in. O.D. Suction)	5/8"

Dimensions	(in.)	H x W x D
Indoor Unit	(Uncrated)	11-23/32 x 41-15/16 x 8-19/32
	(Crated)	11-3/8 x 44-7/8 x 14-29/32
Outdoor Unit	(Uncrated)	29-1/8 x 35-7/16 x 12-19/32
	(Crated)	33-27/32 x 40-5/8 x 16-1/4

Weight		Indoor	Outdoor
Net	(lbs.)	26.5	119
Shipping	(lbs.)	33.1	127.9
Shipping Volume	(cu.ft.)	4.23	12.71

## Performance Data @ ARI Standard Conditions (230V)

Cooling		
Total Capacity	(BTU/H)	24,200 (4,100-24,200)
Sensible Capacity	(BTU/H)	14,800
Latent Capacity	(BTU/H)	9,400
SEER		17
Dehumidification	(Pints/H)	4.89
Amps	(A)	10.8/12.1(1.3-12.1)
Power Inputs	(W)	2,355/2,355 (280-2,355)
Outdoor Sound Rating	(dB-A)	55

# ➔ Dimensions

## Feature

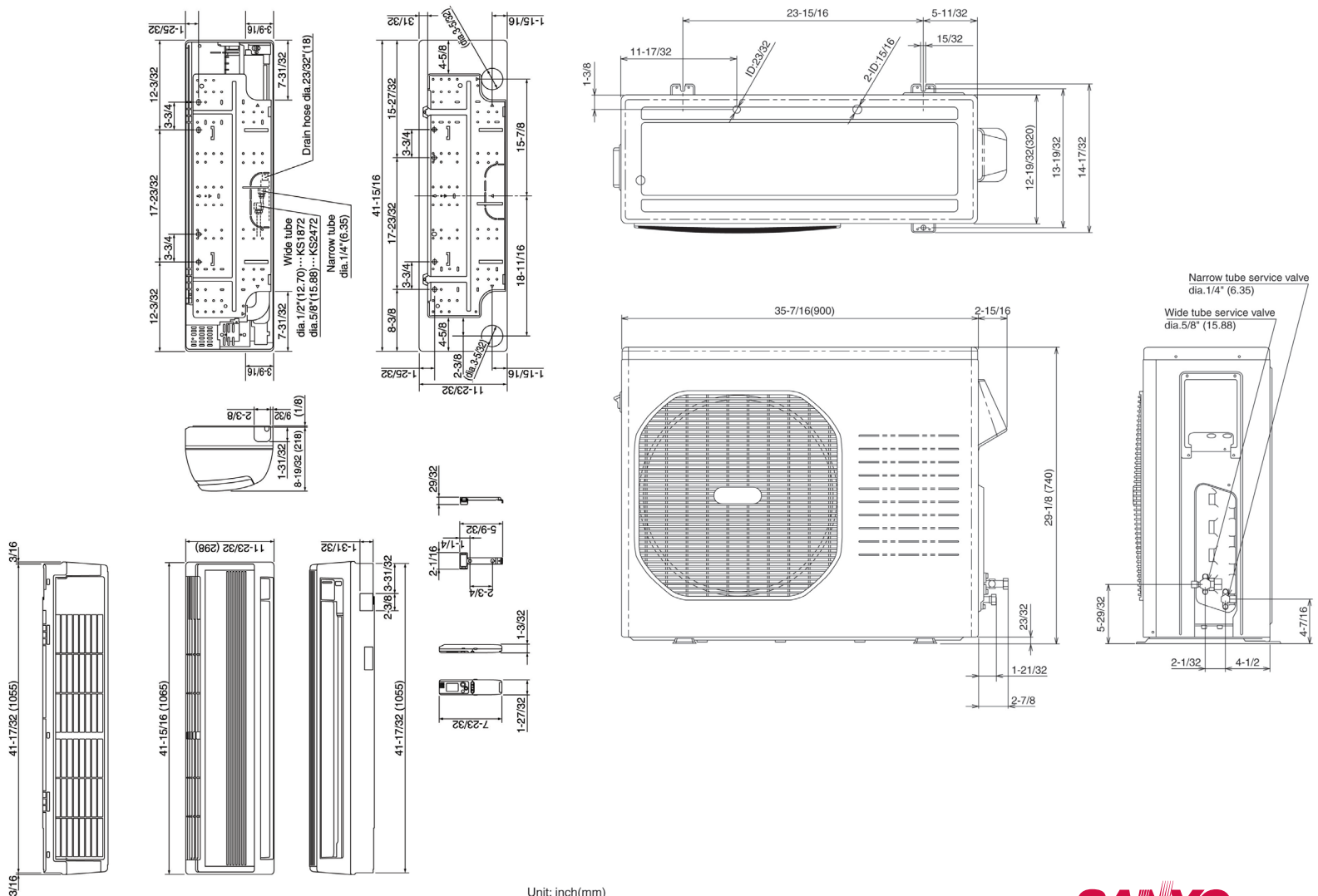
Controls	Microprocessor
Remote Controller	LCD Wireless Type, Temp. Sensor Built In
Temperature Control	IC Thermostat
Timer	24 Hr. Program, 1 Hr. Off
Night Setback	Built-In
Air Louver	Manual
	Automatic
Power Failure Automatic Restart	Built-In
Heating/Cooling Automatic Changeover	N/A
Self-Diagnosis	Built-In
Quiet Operation	Built-In
Air Filter	Washable, Anti-Mold
Ion Generator	Equipped
Air Clean Apatite Filer	Standard

## Option

Refrigerant Line Set	Available
Fresh Air Intake	N/A
Air duct Extension	N/A
Indoor Frame Extension	N/A
Condensate Drain Pump	Available
Non-Removeable Remo-con Bracket	Available

## Operating Range

		Indoor Air Intake Temp.	Outdoor Air Intake Temp.
Cooling	Maximum	95F DB/71F WB	115F DB
	Minimum	67F DB/57F WB	0F DB



Unit: inch(mm)



## SANYO

Sanyo Commercial Solutions  
A Division of SANYO North America  
1300 Michael Drive  
Wood Dale, IL 60191 USA  
www.sanyohvac.com

## Free Manuals Download Website

<http://myh66.com>

<http://usermanuals.us>

<http://www.somanuals.com>

<http://www.4manuals.cc>

<http://www.manual-lib.com>

<http://www.404manual.com>

<http://www.luxmanual.com>

<http://aubethermostatmanual.com>

Golf course search by state

<http://golfingnear.com>

Email search by domain

<http://emailbydomain.com>

Auto manuals search

<http://auto.somanuals.com>

TV manuals search

<http://tv.somanuals.com>