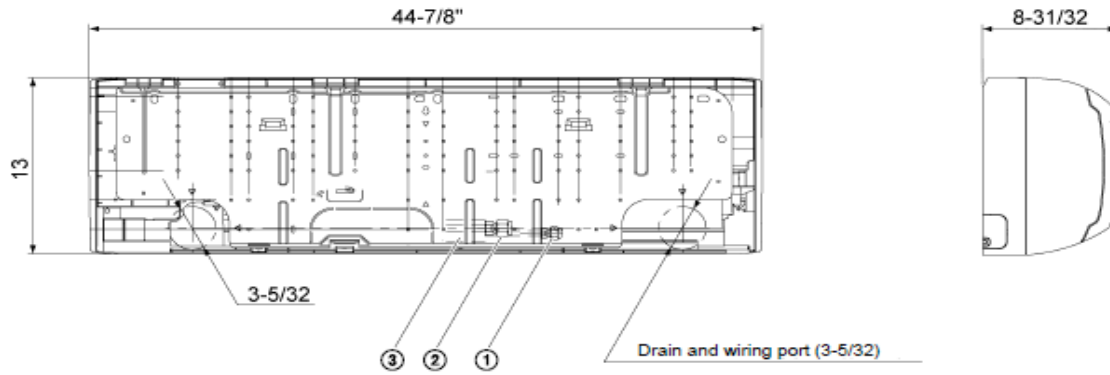


# Dimensional Data for 26KH72R

Dimension : inch

1911\_X\_3

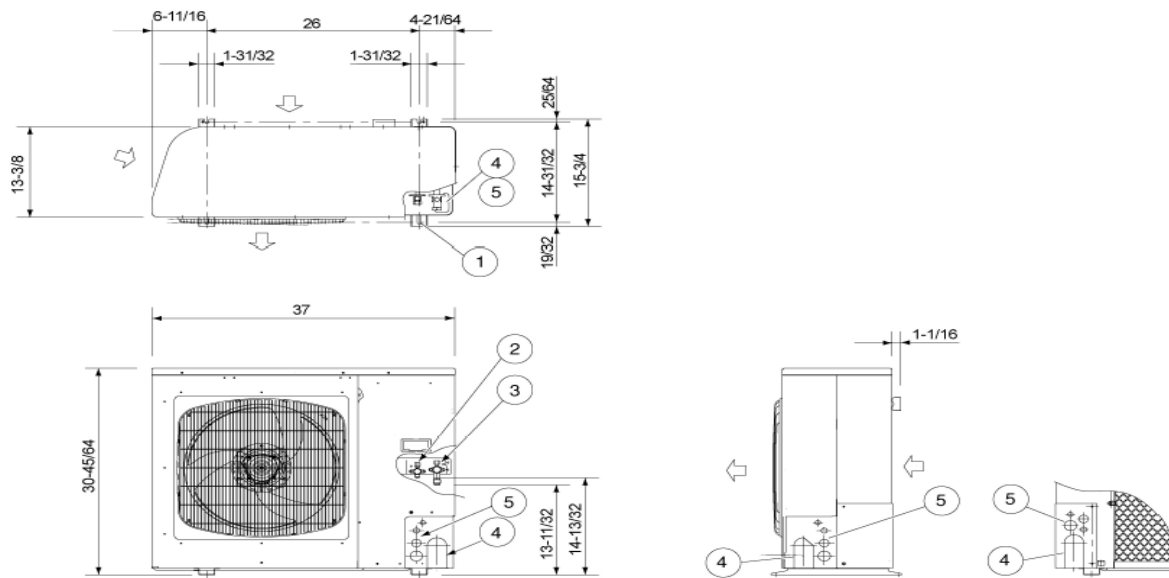
## Indoor unit : Wall Mounted Type KH2672R



- ① Refrigerant liquid line (3/8") Flare connection
- ② Refrigerant gas line (5/8") Flare connection
- ③ Drain hose OD 45/64

Dimension : inch

## (B) Outdoor Unit: CH2672R, C2672R CH3072R, C3072R CH3672R, C3672R



Dimension: inch

|   |                                                                                      |
|---|--------------------------------------------------------------------------------------|
| ① | Hole for anchor bolt (4-R6.5) / Anchor bolt: M10                                     |
| ② | Refrigerant tube joint (liquid line tube) • Flare connection 3/8 in (9.52 mm)        |
| ③ | Refrigerant tube joint (gas line tube) • Flare connection 5/8 in (15.88 mm)          |
| ④ | Refrigerant tubing inlet (knock-out hole)                                            |
| ⑤ | Power supply inlet (knock-out hole $\phi 38$ , $\phi 29$ , $\phi 19$ , $\phi 16$ mm) |

## Free Manuals Download Website

<http://myh66.com>

<http://usermanuals.us>

<http://www.somanuals.com>

<http://www.4manuals.cc>

<http://www.manual-lib.com>

<http://www.404manual.com>

<http://www.luxmanual.com>

<http://aubethermostatmanual.com>

Golf course search by state

<http://golfingnear.com>

Email search by domain

<http://emailbydomain.com>

Auto manuals search

<http://auto.somanuals.com>

TV manuals search

<http://tv.somanuals.com>