

Split System Submittal Data



Building Life.

System: 26THW72R Indoor/Outdoor: THW2672R/CH2672R
Ceiling Suspended Heat Pump

Job Name: _____
 Location: _____
 Engineer: _____
 Submitted to: _____
 Submitted by: _____
 Reference: _____

Approval: _____
 Date: _____
 Construction: _____
 Unit #: _____
 Drawing #: _____



General Data (at 230V)

| Power | V/PH/Hz | 230/208/1/60 |
|------------------|---------|----------------------|
| Circuit Ampacity | (A) | 15-30 Indoor-Outdoor |
| Fuse Size, Max. | (A) | 15-30 Indoor-Outdoor |

| Compressor | | DC Rotary Inverter |
|------------------|-----|--------------------|
| No. used | | 1 |
| R.L. Amps - L.R. | (A) | 12.9-17.5 |

| Outdoor Unit | | |
|-------------------------|--------|-----------|
| Fan type | | Propeller |
| Dia. (in.) - No. Speeds | | 18-7/64-1 |
| Type Drive - No. Speeds | | DC Motor |
| No. Poles | (RPM) | 8 - 800 |
| No. Motors | (W) | 1 - 90 |
| CFM | (High) | 1765 |
| F.L. Amps | (A) | 13.8 |

| | | Aluminum Fin & Copper Pipe |
|----------------------|----------|----------------------------|
| Coil Type | | Aluminum Fin & Copper Pipe |
| Fin Type - Pipe Type | | Slit Plate - Inner Riffled |
| Rows - F.P.I. | | 1-15.9 |
| Face Area | (sq.ft.) | 7.26 |
| Tube Size | (in.) | 3/8" |

| Indoor Unit | | |
|----------------------------------|-------------|-------------|
| Fan type | | Centrifugal |
| Dia. & Length (in.) - No. Speeds | | 5-1/8 - 4 |
| No. Speeds | | 3 & Auto |
| No. Poles | (RPM, High) | 4 - 1179 |
| No. Motors | (W) | 1 - 31 |
| CFM | (Hi/Med/Lo) | 550/490/460 |
| Indoor Sound Rating | (Hi) (dB-A) | 39 |
| F.L. Amps | (A) | 0.5 |

| | | Aluminum Plate Fin & Copper Tube |
|-----------------------|----------|----------------------------------|
| Coil Type | | Aluminum Plate Fin & Copper Tube |
| Fin Type - Pipe Type | | Slit Plate - Inner Riffled |
| Rows - F.P.I. | | 3 - 14.9 |
| Face Area | (sq.ft.) | 1.81 |
| Tube Size | (in.) | 9/32" |
| Drain Connection Size | (in.) | 1-1/4" |

| Refrigerant | | R410A |
|-----------------------------|----------------------|--|
| Lbs. - R410a (outdoor unit) | | 4.19 |
| Control | | Electric Expansion Valve |
| Connection | | Flare |
| Line Length, Max (ft.) | | 165 |
| Lift Difference, Max (ft.) | | 50 (outdoor lower), 100 (outdoor higher) |
| Line Size | (in. O.D. Discharge) | 3/8" |
| Line Size | (in. O.D. Suction) | 5/8" |

| Dimensions | (in.) | H x W x D |
|--------------|------------|-------------------------------|
| Indoor Unit | (Uncrated) | 7-17/16 x 51-3/16 x 26-3/8 |
| | (Crated) | 9-7/16 x 54-19/32 x 31-1/16 |
| Outdoor Unit | (Uncrated) | 30-23/32 x 37 x 13-3/8 |
| | (Crated) | 34-31/32 x 39-31/32 x 16-3/32 |

| Weight | | Indoor | Outdoor |
|-----------------|----------|--------|---------|
| Net | (lbs.) | 64 | 128 |
| Shipping | (lbs.) | 75 | 148 |
| Shipping Volume | (cu.ft.) | 8.9 | 13.0 |

Performance Data @ ARI Standard Conditions (230/208V)

| Cooling | | |
|----------------------|-----------|-----------------------|
| Total Capacity | (BTU/H) | 24,400 (9,500-24,400) |
| Sensible Capacity | (BTU/H) | 14,330 |
| Latent Capacity | (BTU/H) | 10,070 |
| SEER | | 14.5 |
| Dehumidification | (Pints/H) | 7.7 |
| Amps | (A) | 15.6/17.3 |
| Power Inputs | (W) | 2,880/2,880 |
| Outdoor Sound Rating | (dB-A) | 49 |

| Heating | | |
|----------------|---------|-----------------------|
| Total Capacity | (BTU/H) | 30,800 (8,000-30,800) |
| HSPF | | 10.3 |

Dimensions

Heating

| | | |
|-----------------------|--------|-------------|
| Amps | (A) | 16.4/18.1 |
| Max. Amps | (A) | 16.4/18.1 |
| Power Inputs | (W) | 3,000/3,000 |
| Back-up Strip Heater | (KW) | 0.00/0.00 |
| Outdoor Sounds Rating | (dB-A) | 49 |

Features

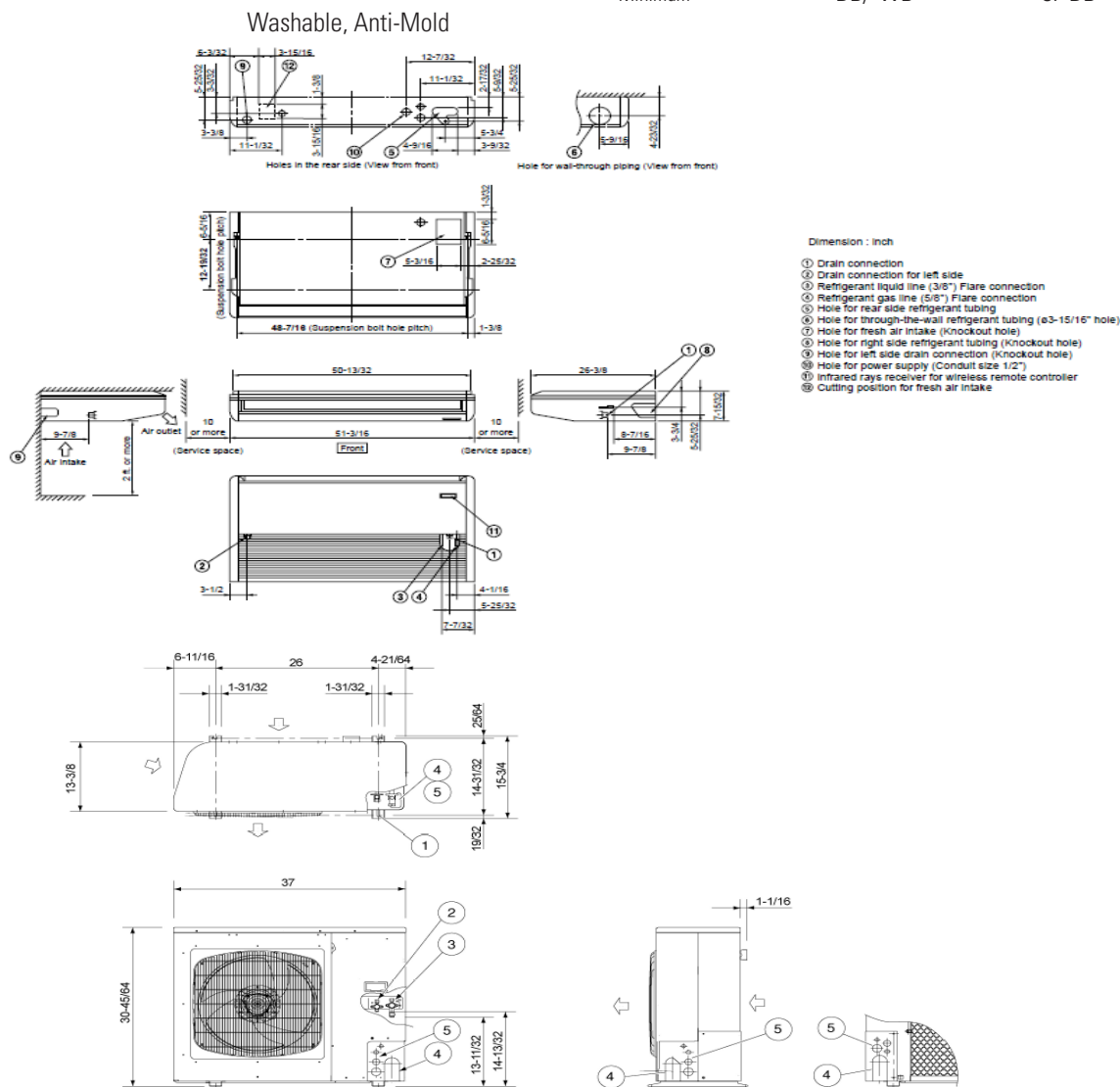
| | |
|--------------------------------------|---------------------------------------|
| Controls | Microprocessor |
| Remote Controller | LCD Wired Type, Temp. Sensor Built In |
| Temperature Control | IC Thermostat |
| Timer | 72 Hr. ON/OFF |
| Night Setback | Built-In |
| Air Louver | (Horizontal) Manual |
| | (Vertical) Automatic |
| Power Failure Automatic Restart | Built-In |
| Heating/Cooling Automatic Changeover | Built-In |
| Self-Diagnosis | Built-In |
| Air Filter | Washable, Anti-Mold |

Options

| | |
|---------------------------------|-----------|
| Refrigerant Line Set | Available |
| Fresh Air Intake | Knock-out |
| Air duct Extension | N/A |
| Indoor Frame Extension | N/A |
| Condensate Drain Pump | Available |
| Non-Removeable Remo-con Bracket | Available |

Operating Range

| | Indoor Air Intake Temp. | Outdoor Air Intake Temp. |
|---------|-------------------------|--------------------------|
| Cooling | | |
| Maximum | 95F DB/71F WB | 115F DB |
| Minimum | 67F DB/57F WB | 0F DB |
| Heating | | |
| Maximum | 80F DB/67F WB | 75F DB/65F WB |
| Minimum | -DB/-WB | 5F DB |



| | |
|---|---|
| ① | Hole for anchor bolt (4-R6.5) / Anchor bolt: M10 |
| ② | Refrigerant tube joint (liquid line tube) • Flare connection 3/8 in (9.52 mm) |
| ③ | Refrigerant tube joint (gas line tube) • Flare connection 5/8 in (15.88 mm) |
| ④ | Refrigerant tubing inlet (knock-out hole) |
| ⑤ | Power supply inlet (knock-out hole φ38, φ29, φ19, φ16 mm) |

Download from www.Somanuals.com. All Manuals Search And Download.



Sanyo Commercial Solutions
A Division of SANYO North America
1300 Michael Drive
Wood Dale, IL 60191 USA
www.sanyohvac.com



Free Manuals Download Website

<http://myh66.com>

<http://usermanuals.us>

<http://www.somanuals.com>

<http://www.4manuals.cc>

<http://www.manual-lib.com>

<http://www.404manual.com>

<http://www.luxmanual.com>

<http://aubethermostatmanual.com>

Golf course search by state

<http://golfingnear.com>

Email search by domain

<http://emailbydomain.com>

Auto manuals search

<http://auto.somanuals.com>

TV manuals search

<http://tv.somanuals.com>