

# SUBMITTAL SHEET



AIRCONDITIONING PRODUCTS

SYSTEM INDOOR/OUTDOOR  
**42TS32A TS4232/C4232A**  
 CEILING SUSPENDED AIR CONDITIONER

SS42TS32A-2

**GENERAL DATA (AT 230V)**

POWER V/PH/Hz	230/208/1/60
Circuit Ampacity, Min. (A)	30
Fuse size, Max. (A)	50

COMPRESSOR	Scroll-Hermetic
No. used	1
R.L. Amps - L.R. Amps (A)	18.1 ñ 131
Crankcase Heater	-

OUTDOOR FAN - TYPE	Propeller
Dia. (in.) - No. used	18-3/32 - 2
Type Drive - No. speeds	Direct ñ 3 (AUTO)
No. Poles - RPM (High)	6 - 879
No. Motors - Watts	2 - 110
CFM (High)	3,450
F.L. Amps. (A)	1.8

OUTDOOR COIL - TYPE	Aluminum Fin & Copper Pipe
Fin Type - Pipe Type	Slit Plate - Inner Riffled
Rows - F.P.I.	2 - 12.7
Face Area (sq.ft.)	11.63
Tube Size (in.)	3/8

INDOOR FAN - TYPE	Centrifugal
Dia. (in.) - No. used	5-29/32-4
No. speeds	3 & Auto
No. Poles -RPM (High)	4 - 1,015
No. Motors - Watts	1 - 100
CFM (HI/MED/LOW)	900/790/680
F.L. Amps (A)	0.7

INDOOR COIL - TYPE	Aluminum Fin & Copper Pipe
Fin Type - Pipe type	Slit Plate - Inner Riffled
Rows - F.P.I.	3 - 14.9
Face Area (sq. ft.)	3.51
Tube Size (in.)	5/16
Drain Connection Size (in.)	3/4

REFRIGERANT	R22
Lbs. - R22 (O.D. Unit)	9.7
Control	Capillary Tube
Connection	Flare
Line Length, Max (ft.)	165
Lift difference, Max (ft.)	100
Line Size - in. O.D. Discharge	3/8
Line Size - in. O.D. Suction	3/4

DIMENSIONS (in.)	H	x	W	x	D
Indoor Unit -Uncrated	9-7/16	x	62	x	26-3/8
-Crated	12-15/32	x	66-1/16	x	31-1/16
Outdoor Unit -Uncrated	48-5/8	x	37	x	13-3/8
-Crated	52ñ7/32	x	40	x	16-3/8

WEIGHT	INDOOR	OUTDOOR
Net (lbs.)	84	205
Shipping (lbs.)	97	229

Shipping Volume (cu.ft.)	13.6	19.8
--------------------------	------	------

**PERFORMANCE DATA @ STANDARD CONDITIONS (230/208V)**

COOLING		
Total Capacity (BTU/H)		42,000/40,500
Sensible Capacity (BTU/H)		22,500/21,530
Latent Capacity (BTU/H)		19,500/18,970
SEER		10.2/10.3
Dehumidification (Pints/H)		14.8/14.6
Amps (A)		20.6/21.0
Power Inputs (W)		4,190/4,100
Outdoor Sound Rating (bels)		7.9

**FEATURE**

Controls	Microprocessor
Remote Controller	LCD Wireless type
Temperature Control	IC Thermostat
Timer	ON/OFF, 24 hours
Night-Setback	Built-In
Air Louver (Horizontal)	Manual
(Vertical)	Automatic
Power Failure Automatic Restart	Built-In
Self Diagnosis	N/A

**OPTION**

Refrigerant Line Set	AP3210BH (30 ft)	AP3215BH (50 ft)
Low Ambient Control	Built-In	
Fresh Air Intake	Built-In	
Air duct Extension	N/A	
Condensate Drain Pump	N/A	
Non-Removable Remo-con Bracket	RCS5PS4B	
Wired Remote Control	RCS-102WD/RCS-302WD	

**OPERATING RANGE**

Cooling	Indoor Air	Outdoor Air
	<u>Intake Temp.</u>	<u>Intake Temp.</u>
	Maximum 95 F DB/71 F WB	115 F DB
Minimum	67 F DB/57 F WB	67 F DB

**CERTIFICATION**



42TS32A

# SUBMITTAL SHEET



AIRCONDITIONING PRODUCTS

SYSTEM INDOOR/OUTDOOR  
**42TLS32A** TS4232/CL4232A  
 CEILING SUSPENDED LOW AMBIENT AIR CONDITIONER

SS42TLS32A-2

GENERAL DATA		(AT 230V)
POWER V/PH/Hz	230/208/1/60	
Circuit Ampacity, Min. (A)	30	
Fuse size, Max. (A)	50	
COMPRESSOR	Scroll-Hermetic	
No. used	1	
R.L. Amps - L.R. Amps (A)	18.1 ñ 131	
Crankcase Heater	30W	
OUTDOOR FAN - TYPE	Propeller	
Dia. (in.) - No. used	18-3/32 - 2	
Type Drive - No. speeds	Direct ñ 3 (AUTO)	
No. Poles - RPM (High)	6 - 879	
No. Motors - Watts	2 - 110	
CFM (High)	3,450	
F.L. Amps. (A)	1.8	
OUTDOOR COIL - TYPE	Aluminum Fin & Copper Pipe	
Fin Type - Pipe Type	Slit Plate - Inner Rifled	
Rows - F.P.I.	2 - 12.7	
Face Area (sq.ft.)	11.63	
Tube Size (in.)	3/8	
INDOOR FAN - TYPE	Centrifugal	
Dia. (in.) - No. used	5-29/32-4	
No. speeds	3 & Auto	
No. Poles -RPM (High)	4 - 1,015	
No. Motors - Watts	1 - 100	
CFM (HI/MED/LOW)	900/790/680	
F.L. Amps (A)	0.7	
INDOOR COIL - TYPE	Aluminum Fin & Copper Pipe	
Fin Type - Pipe type	Slit Plate - Inner Rifled	
Rows - F.P.I.	3 - 14.9	
Face Area (sq. ft.)	3.51	
Tube Size (in.)	5/16	
Drain Connection Size (in.)	3/4	
REFRIGERANT	R22	
Lbs. - R22 (O.D. Unit)	9.7	
Control	Capillary Tube	
Connection	Flare	
Line Length, Max (ft.)	165	
Lift difference, Max (ft.)	100	
Line Size - in. O.D. Discharge	3/8	
Line Size - in. O.D. Suction	3/4	
DIMENSIONS (in.)	H	x W x D
Indoor Unit -Uncrated	9-7/16	x 62 x 26-3/8
-Crated	12-15/32x	66-1/16 x 31-1/16
Outdoor Unit -Uncrated	48-5/8	x 37 x 13-3/8
-Crated	52ñ7/32	x 40 x 16-3/8
WEIGHT	INDOOR	OUTDOOR
Net (lbs.)	84	205
Shipping(lbs.)	97	229
Shipping Volume (cu.ft.)	13.6	19.8

## PERFORMANCE DATA @ ARI STANDARD CONDITIONS (230/208V)

COOLING		
Total Capacity (BTU/H)	42,000/40,500	
Sensible Capacity (BTU/H)	22,500/21,530	
Latent Capacity (BTU/H)	19,500/18,970	
SEER	10.2/10.3	
Dehumidification (Pints/H)	14.8/14.6	
Amps (A)	20.6/21.0	
Power Inputs (W)	4,190/4,100	
Outdoor Sound Rating (bels)	7.9	

## FEATURE

Controls	Microprocessor
Remote Controller	LCD Wireless type
Temperature Control	IC Thermostat
Timer	ON/OFF, 24 hours
Night-Setback	Built-In
Air Louver (Horizontal)	Manual
(Vertical)	Automatic
Power Failure Automatic Restart	Built-In
Self Diagnosis	N/A

## OPTION

Refrigerant Line Set	AP3210BH (30 ft)	AP3215BH (50 ft)
Low Ambient Control	Built-In	
Fresh Air Intake	Built-In	
Airduct Extension	N/A	
Condensate Drain Pump	N/A	
Non-Removable Remo-con Bracket	RCS5PS4B	
Wired Remote Control	RCS-102WD/RCS-302WD	

## OPERATING RANGE

Cooling	Indoor Air	Outdoor Air
	<u>Intake Temp.</u>	<u>Intake Temp.</u>
Maximum	95 F DB/71 F WB	115 F DB
Minimum	67 F DB/57 F WB	0 F DB

## CERTIFICATION



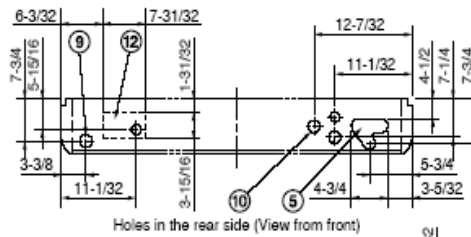
42TLS32A

# DIMENSIONAL DATA

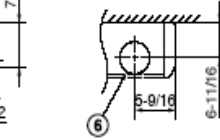
## Indoor Unit: TS4232

Dimension : inch

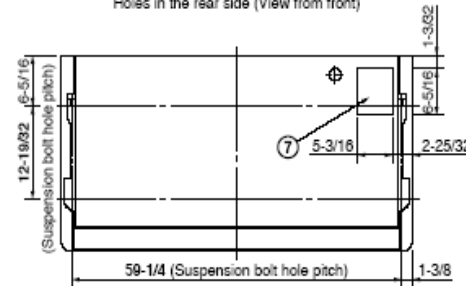
- ① Drain connection
- ② Drain connection for left side
- ③ Refrigerant liquid line (3/8") Flare connection
- ④ Refrigerant gas line (3/4") Flare connection
- ⑤ Hole for rear side refrigerant tubing
- ⑥ Hole for through-the-wall refrigerant tubing (ø3-15/16" hole)
- ⑦ Hole for fresh air intake (Knockout hole)
- ⑧ Hole for right side refrigerant tubing (Knockout hole)
- ⑨ Hole for left side drain connection (Knockout hole)
- ⑩ Hole for power supply (Conduit size 1/2")
- ⑪ Infrared rays receiver for wireless remote controller
- ⑫ Cutting position for fresh air intake



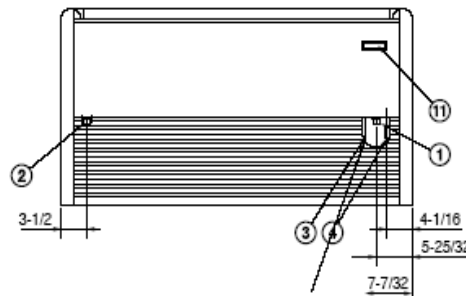
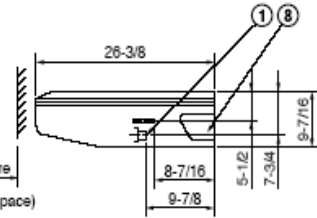
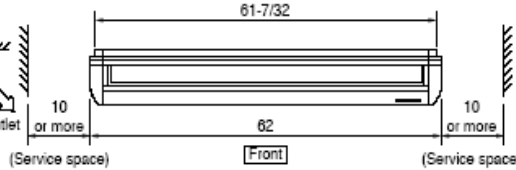
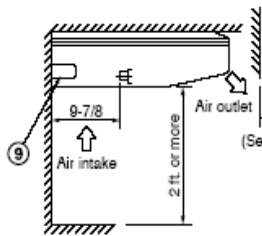
Holes in the rear side (View from front)



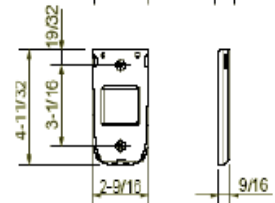
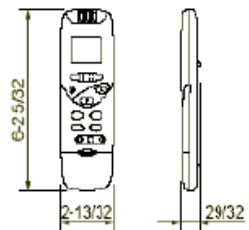
Hole for wall-through piping (View from front)



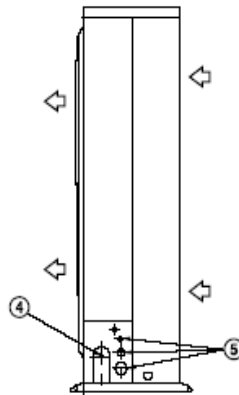
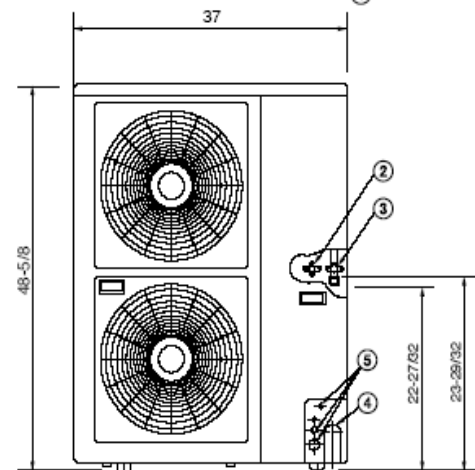
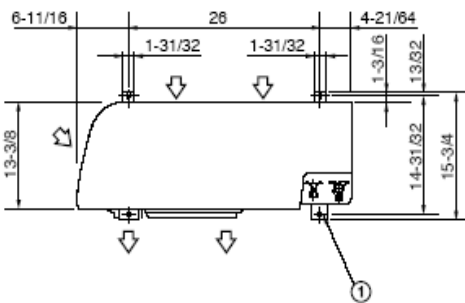
59-1/4 (Suspension bolt hole pitch)



• Remote controller (Accessory)



## Outdoor Unit: C4232A, CL4232A



Dimension : inch

- ① Hole for anchor bolt (4-ø13)
- ② Refrigerant tube joint (narrow tube)  
Flare connection 3/8 in (9.52 mm)
- ③ Refrigerant tube joint (wide tube)  
Flare connection 3/4 in (19.05 mm)
- ④ Refrigerant tubing inlet
- ⑤ Power supply inlet

### WARRANTY

SANYO products are warranted against defects in materials and workmanship for the period below:

	LABOR	PARTS
Compressor	30 Days	5 Years
Other Components	N/A	1 Year

Because of a policy of continuous product improvements, SANYO reserves the right to change specifications and design without notice.

Full specific warranty rights, conditions, exclusions and obligations are specified in the warranty packed with each products.

**SANYO FISHER COMPANY**  
 A Division of SANYO North America Corporation  
 21605 Plummer St. Chatsworth, CA 91311  
 Phone : (818) 998-7322  
 Fax : (818) 701-4160  
 Website: <http://www.sanyohvac.com>

## Free Manuals Download Website

<http://myh66.com>

<http://usermanuals.us>

<http://www.somanuals.com>

<http://www.4manuals.cc>

<http://www.manual-lib.com>

<http://www.404manual.com>

<http://www.luxmanual.com>

<http://aubethermostatmanual.com>

Golf course search by state

<http://golfingnear.com>

Email search by domain

<http://emailbydomain.com>

Auto manuals search

<http://auto.somanuals.com>

TV manuals search

<http://tv.somanuals.com>