

# Split System Submittal Data



Building Life.

**System: 36KHS72R Indoor/Outdoor: KHS3672R/CH3672R**  
**Wall Mounted Heat Pump**

Job Name: \_\_\_\_\_  
 Location: \_\_\_\_\_  
 Engineer: \_\_\_\_\_  
 Submitted to: \_\_\_\_\_  
 Submitted by: \_\_\_\_\_  
 Reference: \_\_\_\_\_

Approval: \_\_\_\_\_  
 Date: \_\_\_\_\_  
 Construction: \_\_\_\_\_  
 Unit #: \_\_\_\_\_  
 Drawing #: \_\_\_\_\_



### General Data (at 230V)

<b>Power</b>	<b>V/PH/Hz</b>	<b>230/208/1/60</b>
Circuit Ampacity	(A)	15-35 Indoor-Outdoor
Fuse Size, Max.	(A)	15-35 Indoor-Outdoor

<b>Compressor</b>		DC Rotary Inverter
No. used		1
R.L. Amps - L.R.	(A)	16.4-17.5
Crankcase Heater	(W)	-

<b>Outdoor Unit</b>		
Fan type		Propeller
Dia. (in.) - No. Speeds		18-7/64-1
Type Drive - No. Speeds		DC Motor
No. Poles	(RPM)	8 - 830
No. Motors	(W)	1 - 90
CFM	(High)	1942
F.L. Amps	(A)	17.3

Coil Type		Aluminum Fin & Copper Pipe
Fin Type - Pipe Type		Slit Plate - Inner Riffled
Rows - F.P.I.		2 - 14.1
Face Area	(sq.ft.)	7.26
Tube Size	(in.)	3/8"

<b>Indoor Unit</b>		
Fan type		Cross Flow
Dia. & Length (in.) - No. Speeds		4-13/18 L46 - 1
No. Speeds		3 & Auto
No. Poles	(RPM, High)	4 - 1273
No. Motors	(W)	1 - 50
CFM	(Hi/Med/Lo)	830/710/590
Indoor Sound Rating	(Hi) (dB-A)	48
F.L. Amps	(A)	0.5

Coil Type		Aluminum Plate Fin & Copper Tube
Fin Type - Pipe Type		Slit Plate - Inner Riffled
Rows - F.P.I.		3 - 12.7
Face Area	(sq.ft.)	3.23
Tube Size	(in.)	3/8"
Drain Connection Size	(in.)	1-1/4"

<b>Refrigerant</b>		R410A
Lbs. - R410a (outdoor unit)		6.17
Control		Electric Expansion Valve
Connection		Flare
Line Length, Max (ft.)		165
Lift Difference, Max (ft.)		50 (outdoor lower), 100 (outdoor higher)
Line Size	(in. O.D. Discharge)	3/8"
Line Size	(in. O.D. Suction)	5/8"

<b>Dimensions</b>	(in.)	H x W x D
Indoor Unit	(Uncrated)	14-9/16 x 59-1/16 x 9-7/16
	(Crated)	18-7/16 x 62-9/16 x 12-9/16
Outdoor Unit	(Uncrated)	30-23/32 x 37 x 13-3/8
	(Crated)	34-31/32 x 39-31/32 x 16-3/32

<b>Weight</b>		Indoor	Outdoor
Net	(lbs.)	72.8	143
Shipping	(lbs.)	90.4	161
Shipping Volume	(cu.ft.)	8.4	13.0

### Performance Data @ ARI Standard Conditions (230/208V)

<b>Cooling</b>		
Total Capacity	(BTU/H)	31,400 (9,500-31,400)
Sensible Capacity	(BTU/H)	18,760
Latent Capacity	(BTU/H)	12,640
SEER		15.9
Dehumidification	(Pints/H)	10.0
Amps	(A)	17.9/19.8
Power Inputs	(W)	3,750/3,750
Outdoor Sound Rating	(dB-A)	52

<b>Heating</b>		
Total Capacity	(BTU/H)	36,400 (8,000-36,400)
HSPF		9

# ➔➔➔ Dimensions

Amps	(A)	15.9/17.6	<b>Option</b>	
Max. Amps	(A)	15.9/17.6	Refrigerant Line Set	Available
Power Inputs	(W)	3,320/3,320	Fresh Air Intake	Knock out
Back-up Strip Heater	(KW)	0.00/0.00	Air duct Extension	N/A
Outdoor Sounds Rating	(dB-A)	52	Indoor Frame Extension	N/A

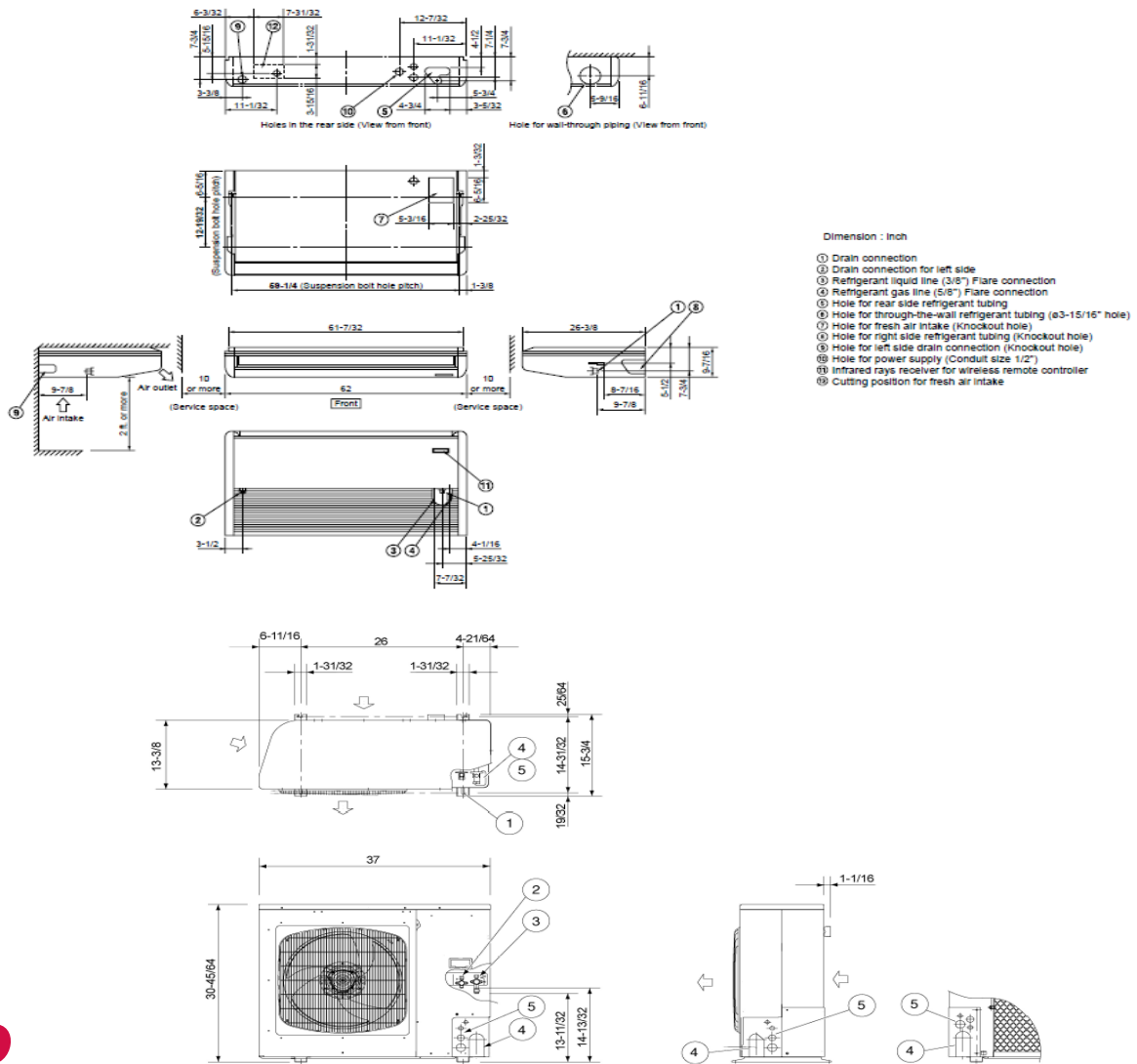
## Feature

Controls	Microprocessor
Remote Controller	LCD Wired Type, Temp. Sensor Built In
Temperature Control	IC Thermostat
Timer	72 Hour ON/OFF
Night Setback	Built-In
Air Louver	(Horizontal) Manual
	(Vertical) Automatic
Power Failure Automatic Restart	Built-In
Heating/Cooling Automatic Changeover	Built-In
Self-Diagnosis	Built-In
Air Filter	Washable, Anti-Mold

Condensate Drain Pump	Available
Non-Removeable Remo-con Bracket	Available

## Operating Range

Cooling	Maximum	Indoor Air Intake Temp.	Outdoor Air Intake Temp.
		95F DB/71F WB	115F DB
Heating	Minimum	Indoor Air Intake Temp.	Outdoor Air Intake Temp.
		67F DB/57F WB	0F DB
Heating	Maximum	Indoor Air Intake Temp.	Outdoor Air Intake Temp.
		80F DB/67F WB	75F DB/65F WB
Heating	Minimum	-DB/-WB	
		5F DB	



- ① Hole for anchor bolt (4-R6.5) / Anchor bolt: M10
- ② Refrigerant tube joint (liquid line tube) • Flare connection 3/8 in (9.52 mm)
- ③ Refrigerant tube joint (gas line tube) • Flare connection 5/8 in (15.88 mm)
- ④ Refrigerant tubing inlet (knock-out hole)
- ⑤ Power supply hole (Conduit size 1/2")

Download from [www.Sematerials.com](http://www.Sematerials.com) All Manuals Search And Download.



Sanyo Commercial Solutions  
A Division of SANYO North America  
1300 Michael Drive  
Wood Dale, IL 60191 USA  
[www.sanyohvac.com](http://www.sanyohvac.com)

Dimension: inch



## Free Manuals Download Website

<http://myh66.com>

<http://usermanuals.us>

<http://www.somanuals.com>

<http://www.4manuals.cc>

<http://www.manual-lib.com>

<http://www.404manual.com>

<http://www.luxmanual.com>

<http://aubethermostatmanual.com>

Golf course search by state

<http://golfingnear.com>

Email search by domain

<http://emailbydomain.com>

Auto manuals search

<http://auto.somanuals.com>

TV manuals search

<http://tv.somanuals.com>