

ECO-i™ Submittal Data



Building Life.

WCHDZ20053

Heat Recovery: 16 tons VRF Outdoor Unit

Job Name: _____
 Location: _____
 Engineer: _____
 Submitted to: _____
 Submitted by: _____
 Reference: _____

Approval: _____
 Date: _____
 Construction: _____
 Unit #: _____
 Drawing #: _____



Compressor Warranty: 6 Years
Parts Warranty: 1 Year
Coil Coated to Protect Against Corrosion
Salt Protection also available



Capacities

Cooling: Btu/h 191,00
 Power Input: KW 8.12 (each)
 Heating: Btu/h 215,000
 Power Input: KW 7.97 (each)

Cooling Mode Nominal Conditions

Indoor: °F DB/°F WB 80/67
 Outdoor: °F DB 95
 Pipe Length (feet): 25
 Level Difference (feet): 0

Heating Mode Nominal Conditions

Indoor: °F DB 70
 Outdoor: °F DB/ °F WB 47/43
 Pipe Length (feet): 25
 Level Difference (feet): 0

Operating Range

Cooling: °F DB: 14 to 113
 Heating: °F DB: -4 to 59
 Heating + Cooling °F DB 14 to 113

Compressor

Quantity/Type: 1 Inverter driven rotary & 1 fixed speed scroll (each)
 Capacity Control Range: 10-100%

Fan

Quantity/Type: 1 Propeller (each)
 Fan Motor Output (KW): 0.7 (each)

Power Supply

V/PH/Hz. 208-230 / 3 / 60
 Minimum circuit Amps (MCA): Amps 37 (each)
 Max. Overcurrent Protection (MOCP): 50 (each)

Weight (lbs): 657 (each)

Refrigerant: 410A

Coil

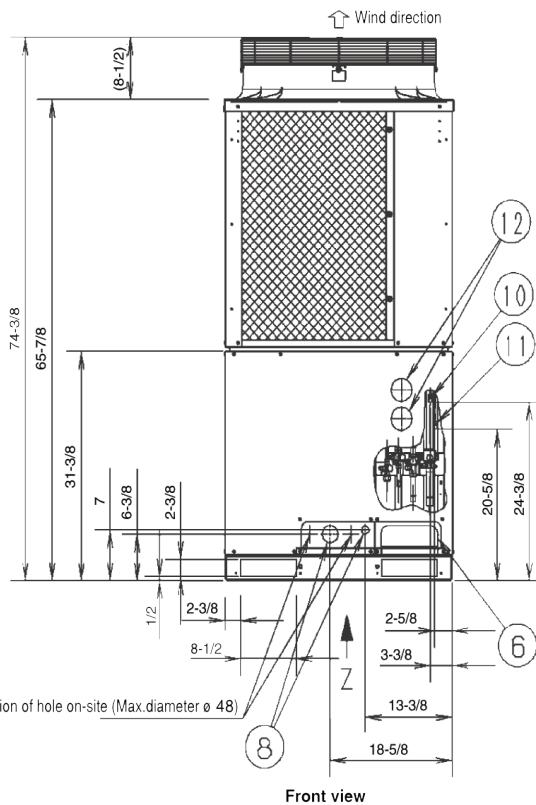
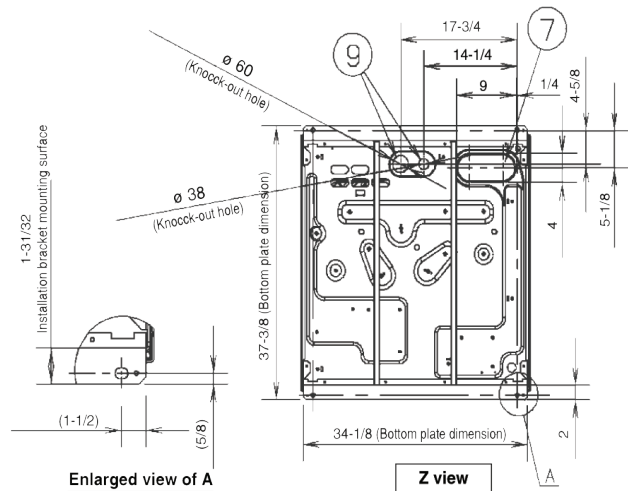
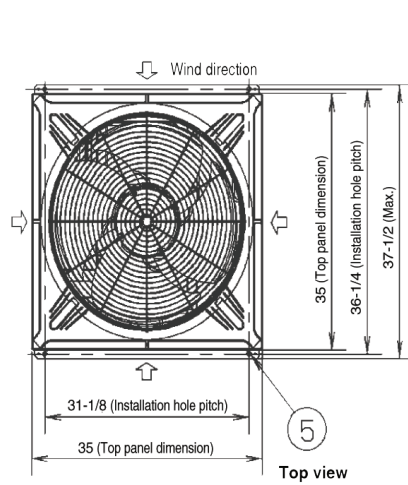
Coil Face Area (sq. ft.): 22.5 (each)
 Number of Rows: 4 (each)

Protection Devices

High Pressure Switch: Yes
 Overcurrent (CT Method): Yes
 Crankcase Heaters (W): 25 + 32 (each)

External Finish: Electrostatic Powder Coating

Dimensions



Space for creation of hole on-site (Max. diameter ø 48)

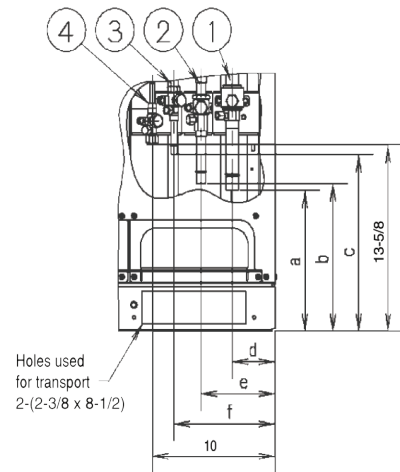


Table of Measurements for Refrigerant Tube Connection

Equivalent horsepower	Size (In.)					
	a	b	c	d	e	f
10	6-1/2	6-7/8	12-7/8	3-1/2	6	8-1/4
16	7-1/8	7-1/4	12-7/8	3-1/2	6	8-1/4

※ Measurements for assume that the supplied connection tubing is used.

		10hp	16hp
①	Refrigerant (suction tube)	brazed connection ø7/8"	ø1-1/8"
②	Refrigerant (discharge tube)	brazed connection ø3/4"	ø7/8"
③	Refrigerant (liquid tube)	brazed connection ø3/8"	ø1/2"
④	Refrigerant (balance tube)	brazed connection ø3/8"	ø3/8"
⑤	Installation holes (4 – 15x 20 elongated holes), anchor bolts M12 or larger		
⑥	Refrigerant (front: knockout hole and slit)		
⑦	Tubing port (bottom: hole with cover)		
⑧	Electrical wiring port (front: ø60, ø28 knock-out holes – for conduit connection)		
⑨	Electrical wiring port (bottom: ø60, ø38 knock-out holes – for conduit connection)		
⑩	Pressure outlet port (for high pressure: ø7.94 Schrader-type connection)		
⑪	Pressure outlet port (for low pressure: ø7.94 Schrader-type connection)		
⑫	Knock-out hole for connecting pressure gauge (optional)		

SANYO
Sanyo Commercial Solutions
A Division of SANYO North America
1300 Michael Drive, Suite A
Wood Dale, IL 60191 USA
www.sanyohvac.com

Free Manuals Download Website

<http://myh66.com>

<http://usermanuals.us>

<http://www.somanuals.com>

<http://www.4manuals.cc>

<http://www.manual-lib.com>

<http://www.404manual.com>

<http://www.luxmanual.com>

<http://aubethermostatmanual.com>

Golf course search by state

<http://golfingnear.com>

Email search by domain

<http://emailbydomain.com>

Auto manuals search

<http://auto.somanuals.com>

TV manuals search

<http://tv.somanuals.com>