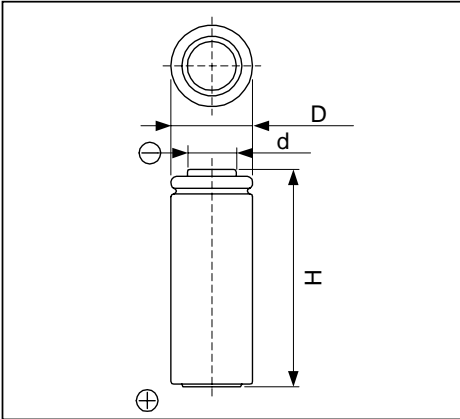


Cell Type CR14500 Specifications



Nominal Capacity ^{*1}		1650mAh
Nominal Voltage		3V
Standard Discharge Current		10mA
Max. Discharge Current	Continuous ^{*2}	1500mA
	Pulse ^{*3}	3500mA
Temperature Range		-40 ~ 60
Weight		17g
Dimensions	D	14mm
	H	50mm
	d	6.3mm

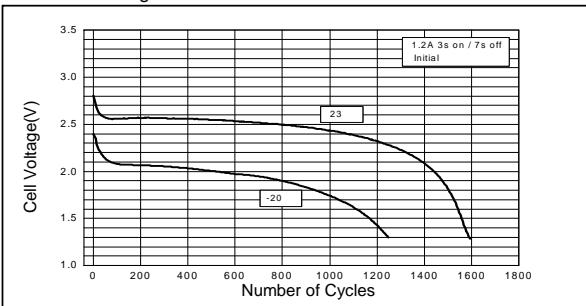
*1 Nominal capacity is determined to an end voltage of 2.0V when the battery is allowed to discharge at a standard current level at 23°C.

*2 Current value is determined to be the level at which 50% of the nominal capacity is obtained with an end voltage of 2.0V at 23 °C.

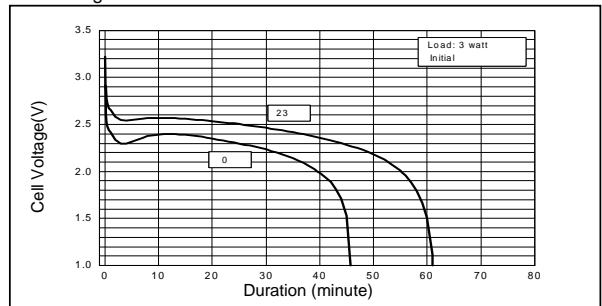
*3 Current value for obtaining 1.0V cell voltage when pulse is applied for 15seconds at 50% discharge depth at 23 °C.

Typical Characteristics

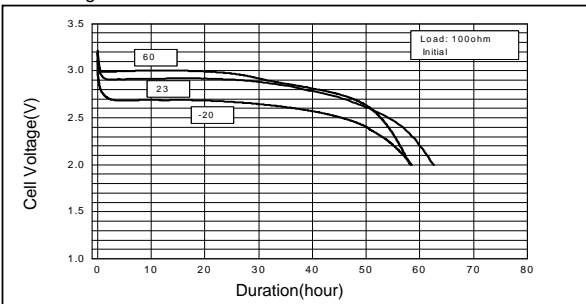
Pulse Discharge Characteristics of CR14500



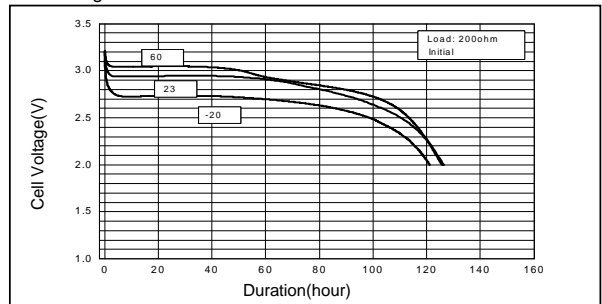
Discharge Characteristics of CR14500



Discharge Characteristics of CR14500



Discharge Characteristics of CR14500



Free Manuals Download Website

<http://myh66.com>

<http://usermanuals.us>

<http://www.somanuals.com>

<http://www.4manuals.cc>

<http://www.manual-lib.com>

<http://www.404manual.com>

<http://www.luxmanual.com>

<http://aubethermostatmanual.com>

Golf course search by state

<http://golfingnear.com>

Email search by domain

<http://emailbydomain.com>

Auto manuals search

<http://auto.somanuals.com>

TV manuals search

<http://tv.somanuals.com>