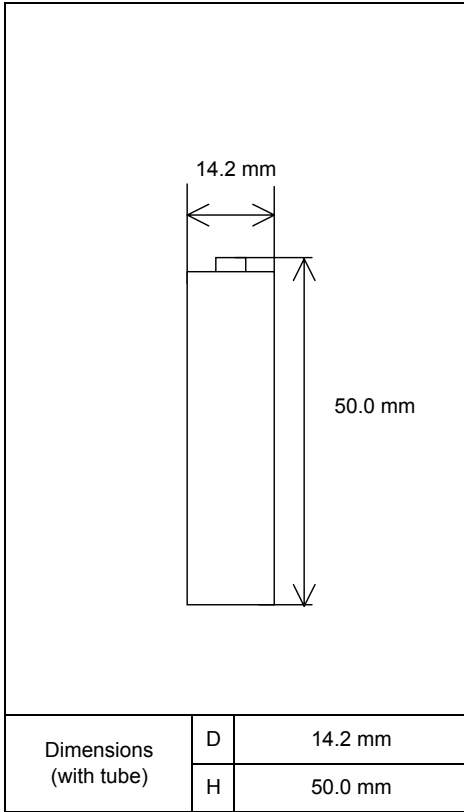


## Specifications



Type : Nickel-Metal Hydride Battery		Size : AA Consumer Type
Capacity <sup>1)</sup>	Typical	1700mAh
	Minimum	1550mAh
Nominal Voltage		1.2V
Charging Current x Time	STD. Charge <sup>2)</sup>	160 mA x about 12h
Ambient Temp.	Charge Condition	STD. Charge <sup>2)</sup> 0°C - 40°C
	Discharge Condition	0°C - 50°C
	Storage Condition	Less than 30days
Less than 90days		-20°C - 40°C
Less than 1year		-20°C - 30°C
Weight <sup>4)</sup>		Approx. 27 g
Size <sup>3)</sup> : (Diameter) x (Height)		14.2(D) x 50.0(H) mm

1) Single cell capacity under the following condition.

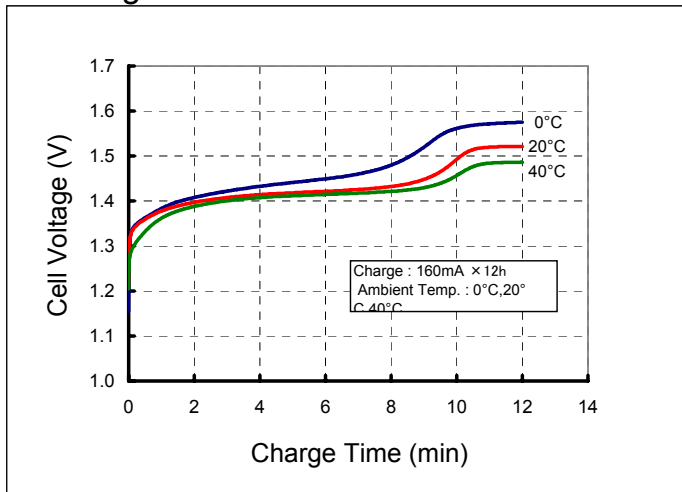
Charge : 155mA×16h, Discharge : 310mA(E.V.=1.0V) at 20°C

2) Use recommended charging system.

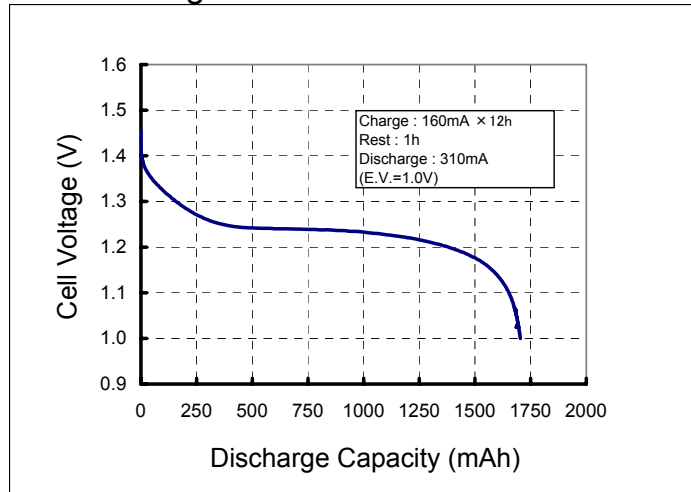
3) With tube.

## Typical Characteristics

### Charge



### Discharge



## Free Manuals Download Website

<http://myh66.com>

<http://usermanuals.us>

<http://www.somanuals.com>

<http://www.4manuals.cc>

<http://www.manual-lib.com>

<http://www.404manual.com>

<http://www.luxmanual.com>

<http://aubethermostatmanual.com>

Golf course search by state

<http://golfingnear.com>

Email search by domain

<http://emailbydomain.com>

Auto manuals search

<http://auto.somanuals.com>

TV manuals search

<http://tv.somanuals.com>