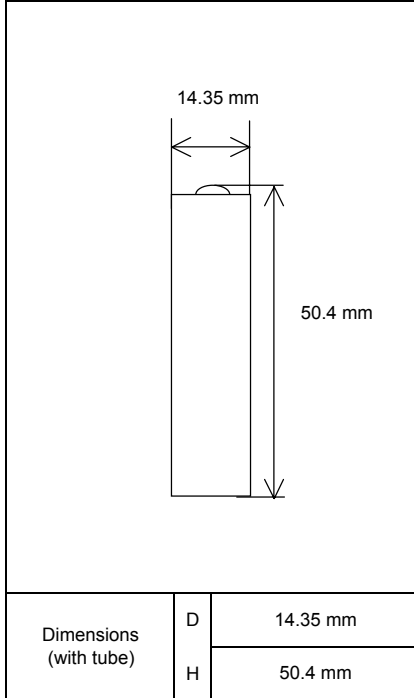


## Specifications



Type : Nickel-Metal Hydride Battery		Size : AA Consumer Type	
Capacity <sup>1)</sup>	Typical	2300mAh	
	Minimum	2100mAh	
Nominal Voltage		1.2V	
Constant Charging Voltage x Time Maximum Charging Current	Quick Charge <sup>2)</sup>	CV=1.64V x app.15min. Max.Current=10A	
	Charge <sup>2)</sup>	CV=1.70V x app.70min. Max.Current=2.3A	
Ambient Temp.	Charge Condition	Quick Charge <sup>2)</sup>	10°C - 40°C
		Charge <sup>2)</sup>	0°C - 40°C
	Discharge Condition		0°C - 50°C
Storage Condition	Less than 30days	-20°C - 50°C	
	Less than 90days	-20°C - 40°C	
	Less than 1year	-20°C - 30°C	
Internal Impedance <sup>3)</sup> (after discharge to E.V.=1.0V)		Approx. 25mΩ (at 1000Hz)	
Weight <sup>4)</sup>		Approx. 30 g	
Size <sup>4)</sup> : (Diameter) x (Height)		14.35(D) x 50.4(H) mm	

1)Single cell capacity under the following condition.

Charge : CC;230mA+CV;CV=1.75V, Total Timer;16h, Discharge : 460mA(E.V.=1.0V)

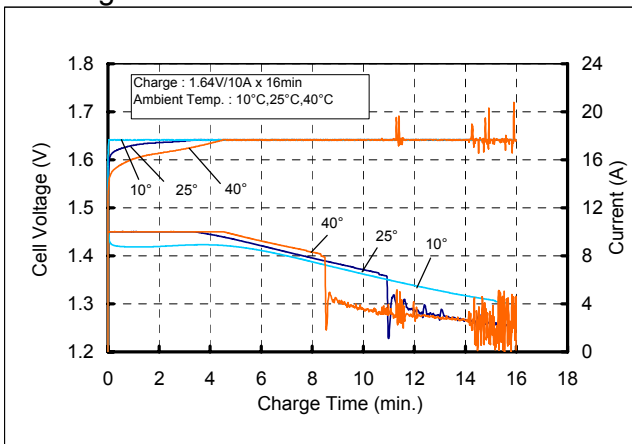
2)Use recommended charging system.

3)After a few charge and discharge cycles under the above 1) condition

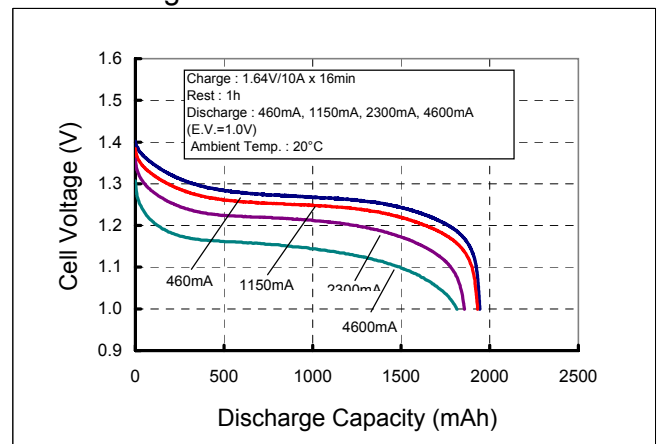
4)With tube.

## Typical Characteristics

### Charge



### Discharge



## Free Manuals Download Website

<http://myh66.com>

<http://usermanuals.us>

<http://www.somanuals.com>

<http://www.4manuals.cc>

<http://www.manual-lib.com>

<http://www.404manual.com>

<http://www.luxmanual.com>

<http://aubethermostatmanual.com>

Golf course search by state

<http://golfingnear.com>

Email search by domain

<http://emailbydomain.com>

Auto manuals search

<http://auto.somanuals.com>

TV manuals search

<http://tv.somanuals.com>