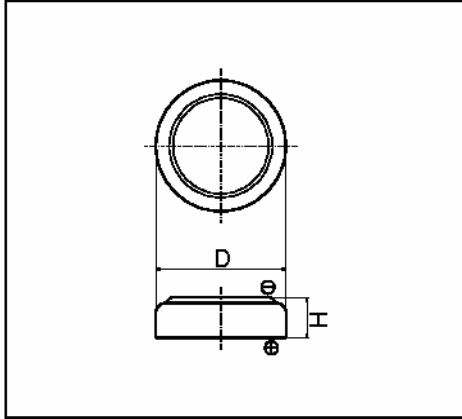


# Cell Type ML414RU Specifications



Nominal Capacity <sup>*1</sup>	0.8mAh	
Nominal Voltage	3V	
Standard Charge / Discharge Current	0.005mA	
Max. Discharge Current	Continuous <sup>*2</sup>	0.02mA
	Pulse <sup>*3</sup>	0.05mA
Charge/Discharge Cycle Characteristics	Discharging Depth of 5%	3000
	Discharging Depth of 10%	300
Charging Method	Constant Voltage Charge	2.8V~3.1V
Temperature Range	-20°C~60°C	
Weight	0.08g	
Dimensions	Diameter(D)	4.8mm
	Height(H)	1.4mm
Max. Reflow Temperature	260°C	

\*1 Nominal capacity is determined to an end voltage of 2.0V when the battery is allowed to discharge at a standard current level at 23°C.

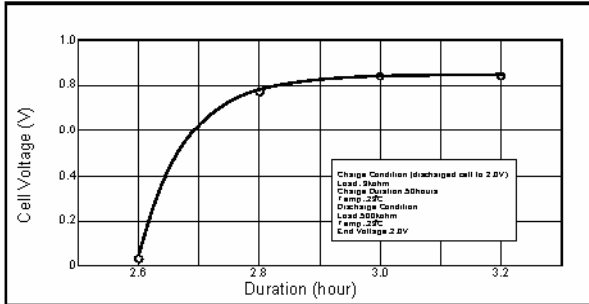
\*2 Current value is determined so that 50% of the nominal capacity is obtained with an end voltage of 2.0V at 23 °C.

\*3 Current value for obtaining 2.0V cell voltage when 15sec. pulse is applied at 50% discharge depth at 23 °C.

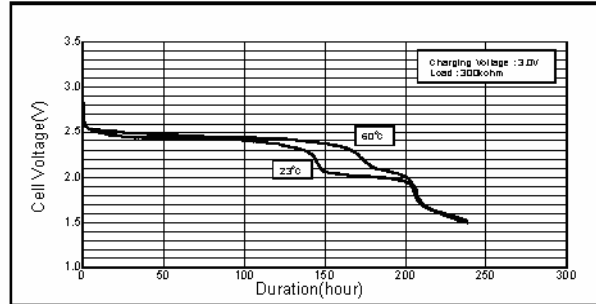
\* ML414R is capable of reflow soldering. Consult Sanyo about the reflow condition.

## Typical Characteristics

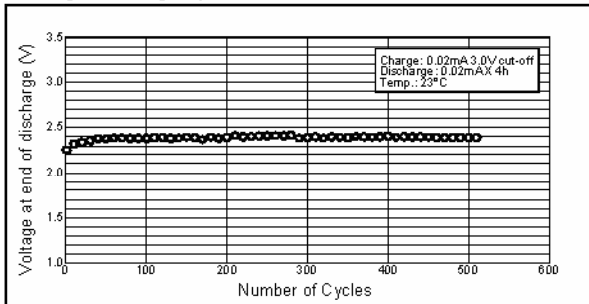
Charge Characteristics of ML414RU



Temperature Characteristics of ML414RU



Charge/Discharge Cycle Characteristics of ML414RU



## Free Manuals Download Website

<http://myh66.com>

<http://usermanuals.us>

<http://www.somanuals.com>

<http://www.4manuals.cc>

<http://www.manual-lib.com>

<http://www.404manual.com>

<http://www.luxmanual.com>

<http://aubethermostatmanual.com>

Golf course search by state

<http://golfingnear.com>

Email search by domain

<http://emailbydomain.com>

Auto manuals search

<http://auto.somanuals.com>

TV manuals search

<http://tv.somanuals.com>