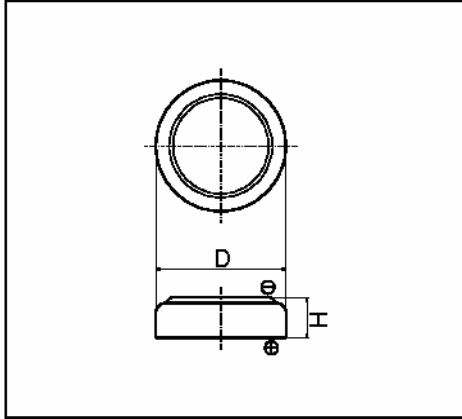


# Cell Type NBL414R Specifications



Nominal Capacity* <sup>1</sup>		0.5mAh
Nominal Voltage		2V
Standard Charge / Discharge Current		0.005mA
Max. Discharge Current	Continuous* <sup>2</sup>	0.02mA
	Pulse* <sup>3</sup>	0.05mA
Charge/Discharge Cycle Characteristics	Discharging Depth of 5%	3000
	Discharging Depth of 10%	300
Charging Method	Constant Voltage Charge	1.8V~2.6V
Temperature Range		-20°C~60°C
Weight		0.08g
Dimensions	Diameter(D)	4.8mm
	Height(H)	1.4mm
Max. Reflow Temperature		240°C

\*1 Nominal capacity is determined to an end voltage of 1.0V when the battery is allowed to discharge at a standard current level at 23°C.

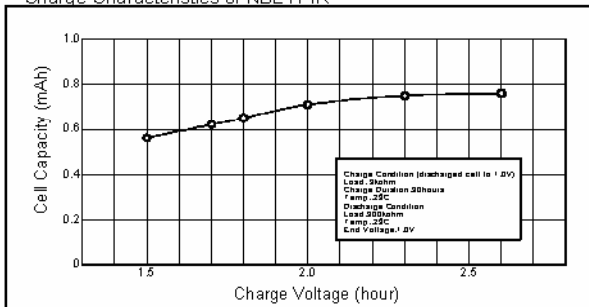
\*2 Current value is determined so that 50% of the nominal capacity is obtained with an end voltage of 1.0V at 23 °C.

\*3 Current value for obtaining 1.0V cell voltage when 15sec. pulse is applied at 50% discharge depth at 23 °C.

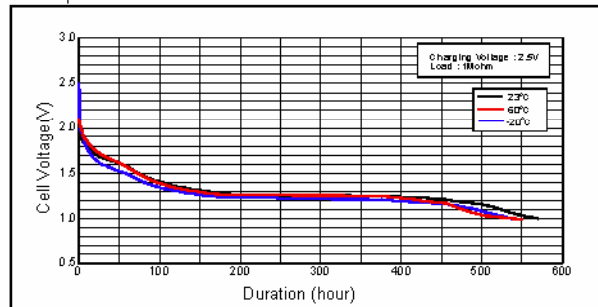
\* NBL414R is capable of reflow soldering. Consult Sanyo about the reflow condition.

## Typical Characteristics

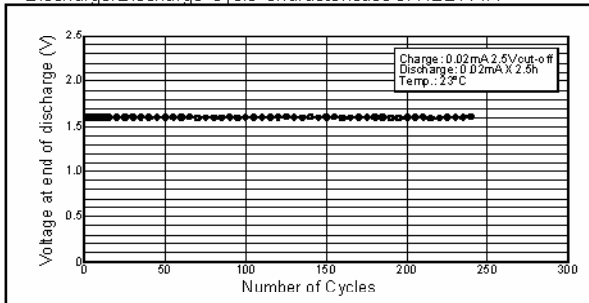
Charge Characteristics of NBL414R



Temperature Characteristics of NBL414R



Discharge/Discharge Cycle Characteristics of NBL414R



## Free Manuals Download Website

<http://myh66.com>

<http://usermanuals.us>

<http://www.somanuals.com>

<http://www.4manuals.cc>

<http://www.manual-lib.com>

<http://www.404manual.com>

<http://www.luxmanual.com>

<http://aubethermostatmanual.com>

Golf course search by state

<http://golfingnear.com>

Email search by domain

<http://emailbydomain.com>

Auto manuals search

<http://auto.somanuals.com>

TV manuals search

<http://tv.somanuals.com>