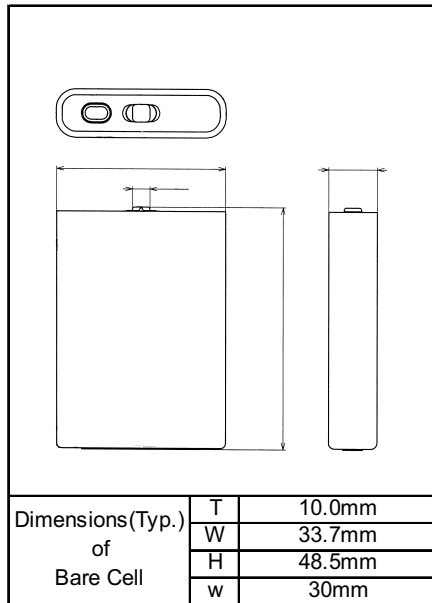


Lithium ion

Cell Type UF103450P(1700mAh) Specifications



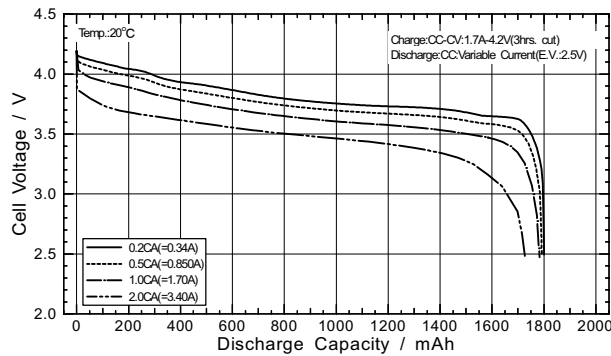
Nominal Capacity		1700mAh
Nominal Voltage		3.7V
Charging Method		Constant Current -Constant Voltage
Charging Voltage		4.2V
Charging Current		Std. 1700mA
Charging Time		2.5hrs.
Ambient Temperature	Charge	0 ~ +40°C
	Discharge	-20 ~ +60°C
	Storage	-20 ~ +50°C
Weight (Max.)		39.5g
Dimensions (Max.)	(T)	10.50mm
	(W)	33.80mm
	(H)	48.80mm
Volumetric Energy Density		363Wh/l
Gravimetric Energy Density		159Wh/kg

Discharged State after Assembling

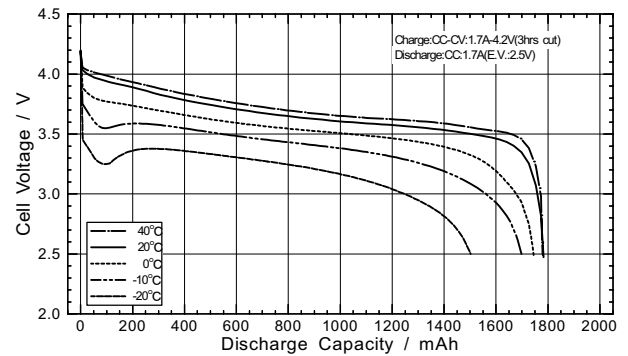
*The maximum thickness of the standard shipment charging condition

Typical Characteristics

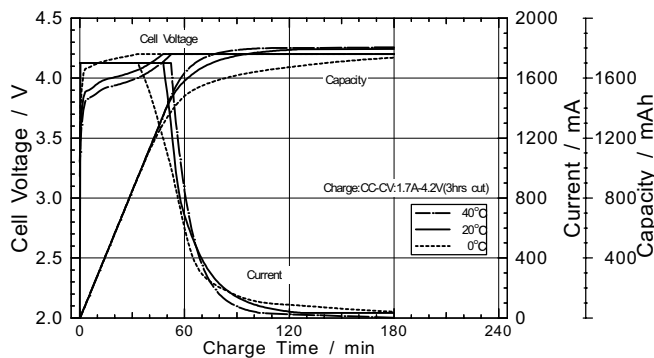
Discharge rate characteristics



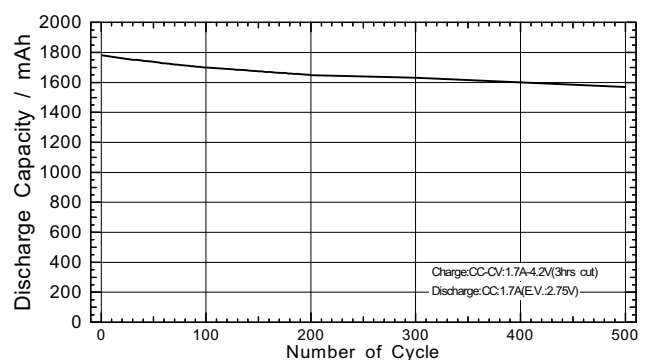
Discharge temperature characteristics



Charge characteristics



Cycle characteristics



Free Manuals Download Website

<http://myh66.com>

<http://usermanuals.us>

<http://www.somanuals.com>

<http://www.4manuals.cc>

<http://www.manual-lib.com>

<http://www.404manual.com>

<http://www.luxmanual.com>

<http://aubethermostatmanual.com>

Golf course search by state

<http://golfingnear.com>

Email search by domain

<http://emailbydomain.com>

Auto manuals search

<http://auto.somanuals.com>

TV manuals search

<http://tv.somanuals.com>