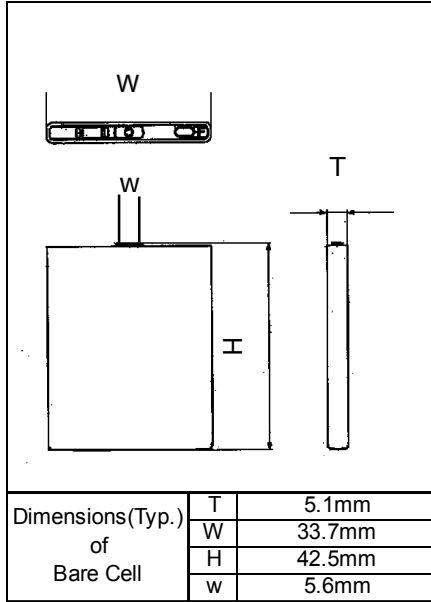


# Cell Type UF553443F

## Specifications



Nominal Capacity		Min.850mAh
Nominal Voltage		3.7V
Charging Method		Constant Current -Constant Voltage
Charging Voltage		4.2V
Charging Current		Std. 850mA
Charging Time		2.5hrs.
Ambient Temperature	Charge	0~+40°C
	Discharge	-20~+60°C
	Storage	-20~+50°C
Weight (Max.)		17.6g
Dimensions (Max.)	(T)	5.40mm
	(W)	33.85mm
	(H)	42.80mm
Volumetric Energy Density		401Wh/l
Gravimetric Energy Density		178Wh/kg

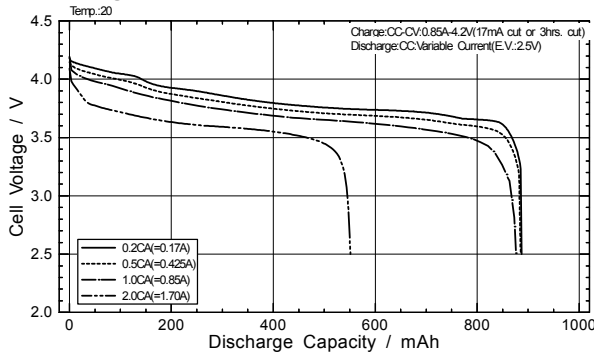
Discharged State after Assembling

\*The maximum thickness of the standard shipment charging condition

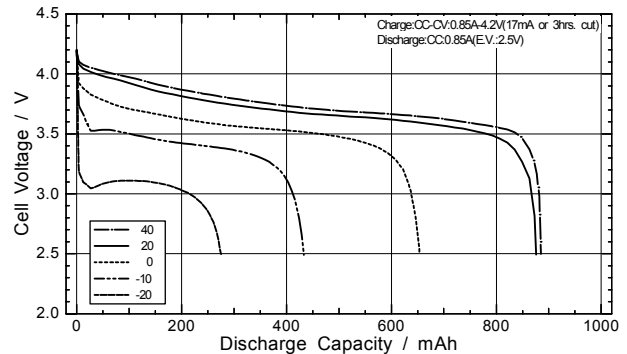
### Typical Characteristics

\*When designing a battery pack, get the precise information on a cell battery drawing

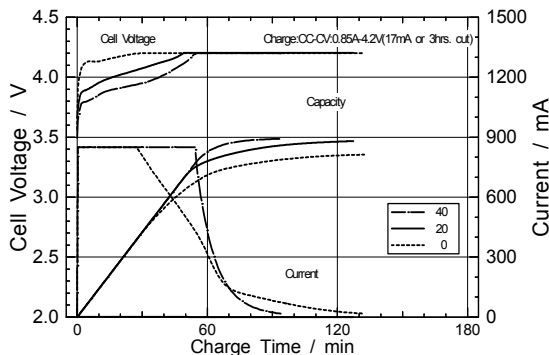
#### Discharge rate characteristics



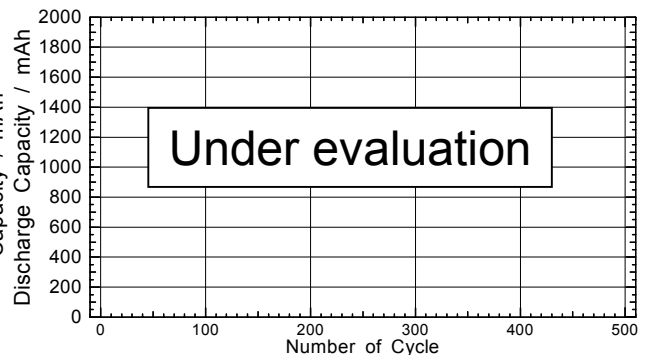
#### Discharge temperature characteristics



#### Charge characteristics



#### Cycle characteristics



## Free Manuals Download Website

<http://myh66.com>

<http://usermanuals.us>

<http://www.somanuals.com>

<http://www.4manuals.cc>

<http://www.manual-lib.com>

<http://www.404manual.com>

<http://www.luxmanual.com>

<http://aubethermostatmanual.com>

Golf course search by state

<http://golfingnear.com>

Email search by domain

<http://emailbydomain.com>

Auto manuals search

<http://auto.somanuals.com>

TV manuals search

<http://tv.somanuals.com>