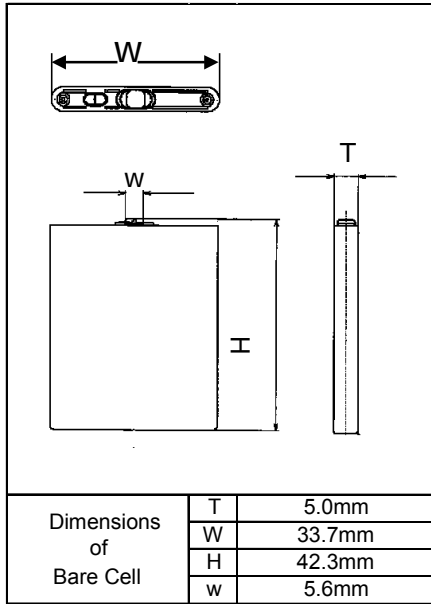




Lithium ion

Cell Type UF553443R

Specifications



Nominal Capacity		Min.800mAh
Nominal Voltage		3.7V
Charging Method		Constant Current -Constant Voltage
Charging Voltage		4.2V
Charging Current		Std. 800mA
Charging Time		2.5hrs.
Ambient Temperature	Charge	0~+40°C
	Discharge	-20~+60°C
	Storage	-20~+50°C
Weight (Max.)		16.9g
Dimensions (Max.)	(T)	5.40mm
	(W)	33.85mm
	(H)	42.60mm
Volumetric Energy Density		380Wh/l
Gravimetric Energy Density		175Wh/kg

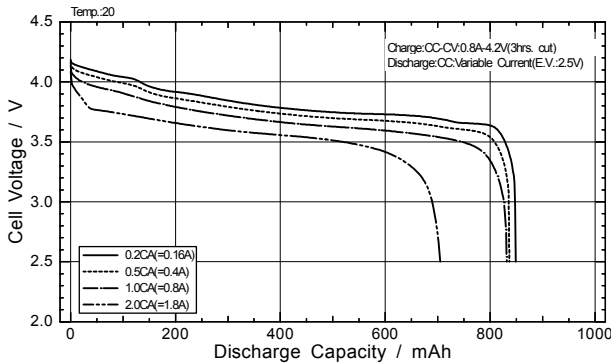
Discharged State after Assembling

*The maximum thickness of the standard shipment charging condition

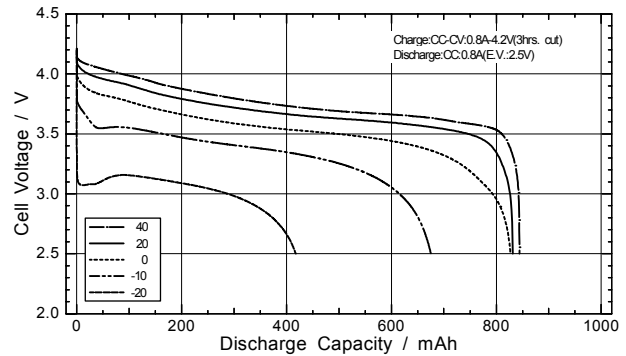
Typical Characteristics

*When designing a battery pack, get the precise information on a cell battery drawing

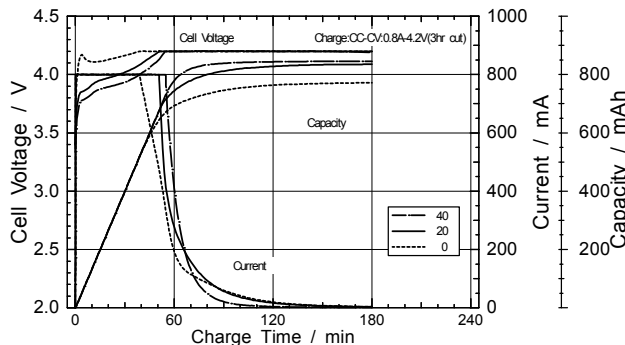
Discharge rate characteristics



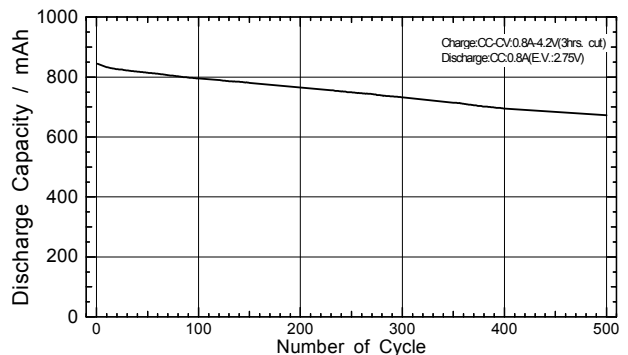
Discharge temperature characteristics



Charge characteristics



Cycle characteristics



Free Manuals Download Website

<http://myh66.com>

<http://usermanuals.us>

<http://www.somanuals.com>

<http://www.4manuals.cc>

<http://www.manual-lib.com>

<http://www.404manual.com>

<http://www.luxmanual.com>

<http://aubethermostatmanual.com>

Golf course search by state

<http://golfingnear.com>

Email search by domain

<http://emailbydomain.com>

Auto manuals search

<http://auto.somanuals.com>

TV manuals search

<http://tv.somanuals.com>