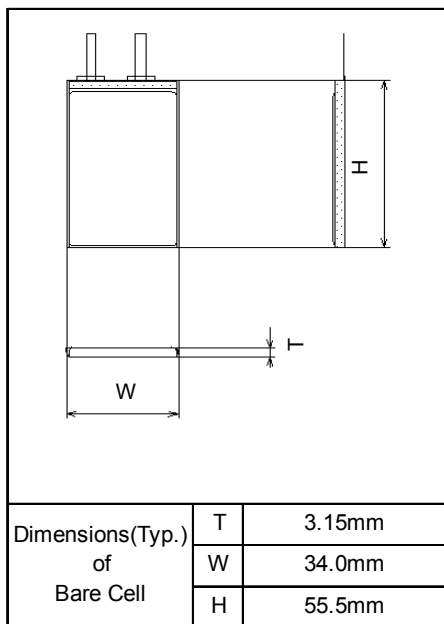




Lithium Polymer

Cell Type UPF323456L

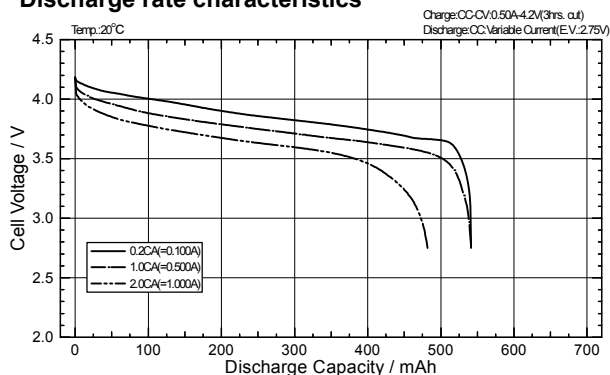
Specifications



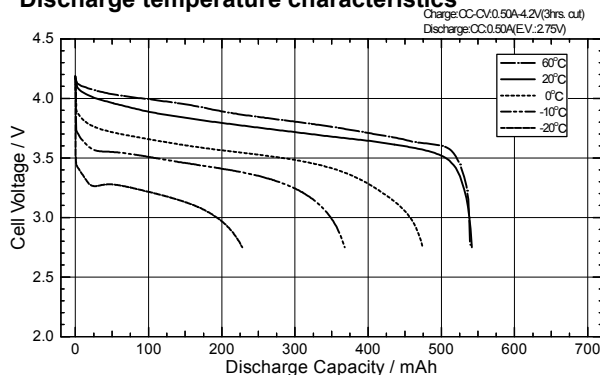
Nominal Capacity		500mAh
Nominal Voltage		3.7V
Charging Method		Constant Current -Constant Voltage
Charging Voltage		4.2V
Charging Current		Std. 500mA
Charging Time		3.0hrs.
Ambient Temperature	Charge	0~+40°C
	Discharge	-20~+60°C
	Storage	-20~+50°C
Weight (Approx.)		13.3g
Dimensions (Max.)	(T)	3.35mm
	(W)	34.00mm
	(H)	56.00mm
Volumetric Energy Density		290Wh/l
Gravimetric Energy Density		139Wh/kg

Typical Characteristics

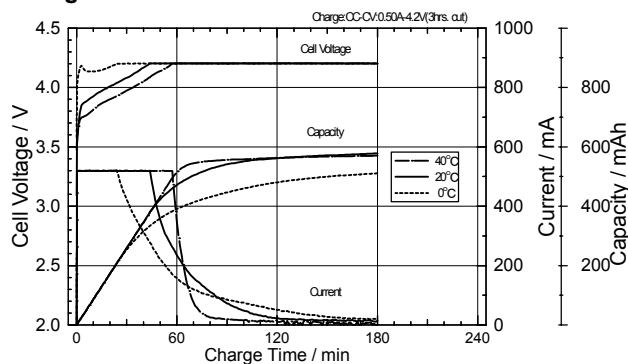
Discharge rate characteristics



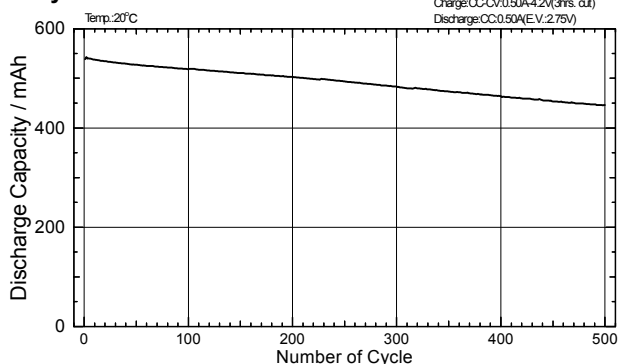
Discharge temperature characteristics



Charge characteristics



Cycle characteristics



Free Manuals Download Website

<http://myh66.com>

<http://usermanuals.us>

<http://www.somanuals.com>

<http://www.4manuals.cc>

<http://www.manual-lib.com>

<http://www.404manual.com>

<http://www.luxmanual.com>

<http://aubethermostatmanual.com>

Golf course search by state

<http://golfingnear.com>

Email search by domain

<http://emailbydomain.com>

Auto manuals search

<http://auto.somanuals.com>

TV manuals search

<http://tv.somanuals.com>