



Parts List

For printer model:

GL408e / 412e



PN: 9001165 (B)

SATO America, Inc.

**10350A Nations Ford Road
Charlotte, NC 28273**

Main Phone: (704) 644.1650

Technical Support: (704) 644.1660

Technical Support Fax: (704) 644.1661

E-Mail: satosales@satoamerica.com

techsupport@satoamerica.com

www.satoamerica.com

Copyright SATO America, Inc. 2012, 2007

All rights reserved.

RIBBON ASSEMBLY (1)

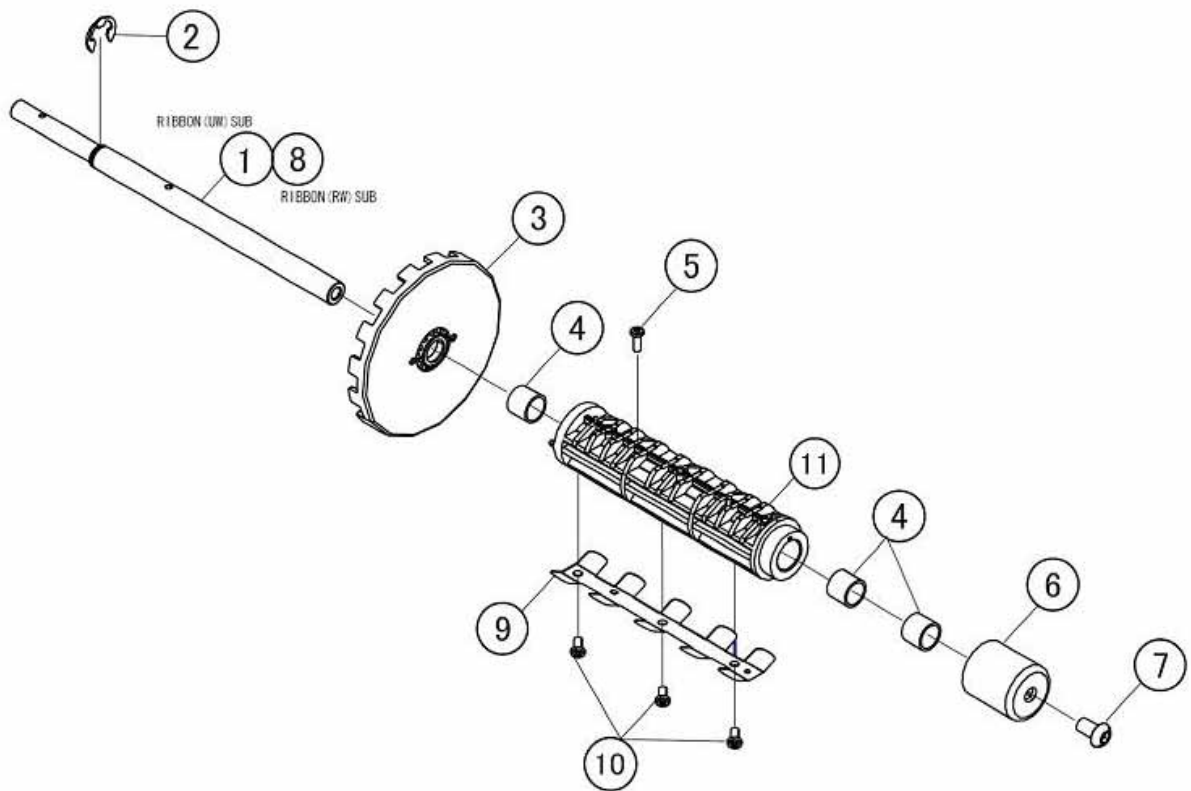


Figure PL1a, Ribbon Assembly (1)

RIBBON ASSEMBLY (1)		
ITEM	PART NUMBER	PART DESCRIPTION
1	P11277001	RIBBON SHAFT B
2	ND0080022	E-SNAP RING
3	P11283000	DISK PLATE TL
4	PE2720100	COLLAR (10*12*10)
5	MA0300422	PAN HEAD SCREW
6	PE2730150	STOPPER COLLAR
7	M00001000	BUTTON CAP SCREW
8	P21940000	RIBBON SHAFT A
9	P00626000	SPRING(RIBBON BOSS)
10	MH0300522	PAN HEAD P TIGHT SCREW
11	P00588101	RIBBON BOSS(4)

RIBBON ASSEMBLY (2)

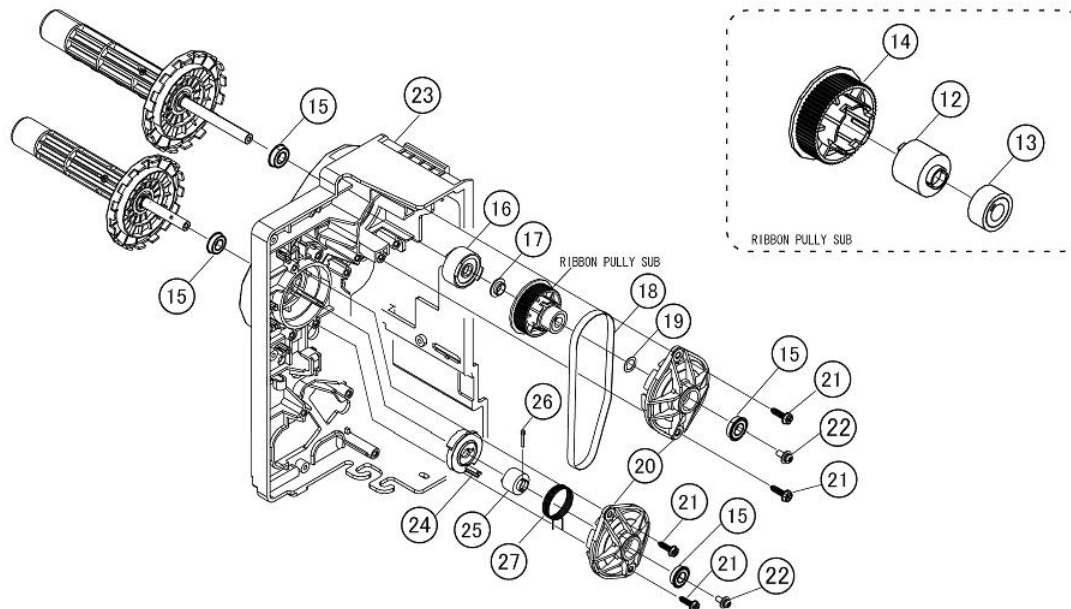


Figure PL1b, Ribbon Assembly (2)

RIBBON ASSEMBLY (2)		
ITEM	PART NUMBER	PART DESCRIPTION
12	P23172000	TORQUE LIMITTER
13	P14225000	ONEWAY CLUTCH
14	P15159000	RIBBON PULLEY TL60A
15	P15601000	BEARING
16	P00170000	ONE-WAY LIMITTER
17	P15203000	OILES BEARING
18	P11458000	TIMING BELT
19	PT9740300	POLY SLIDER
20	P11286000	RIBBON FLANGE
21	M16225000	(+)-FLANGE HEX TAP SCREW
22	MD4401022	PAN HEAD SCREW+SW+WL
23	P22019000	SUB FRAME
24	P11280010	BF STOPPER
25	P12267000	TORQUE LIMITER

RIBBON ASSEMBLY (2)		
ITEM	PART NUMBER	PART DESCRIPTION
26	P11462000	TORQUE LIMITER PIN
27	P23173000	SPRING

RIBBON ASSEMBLY (3)

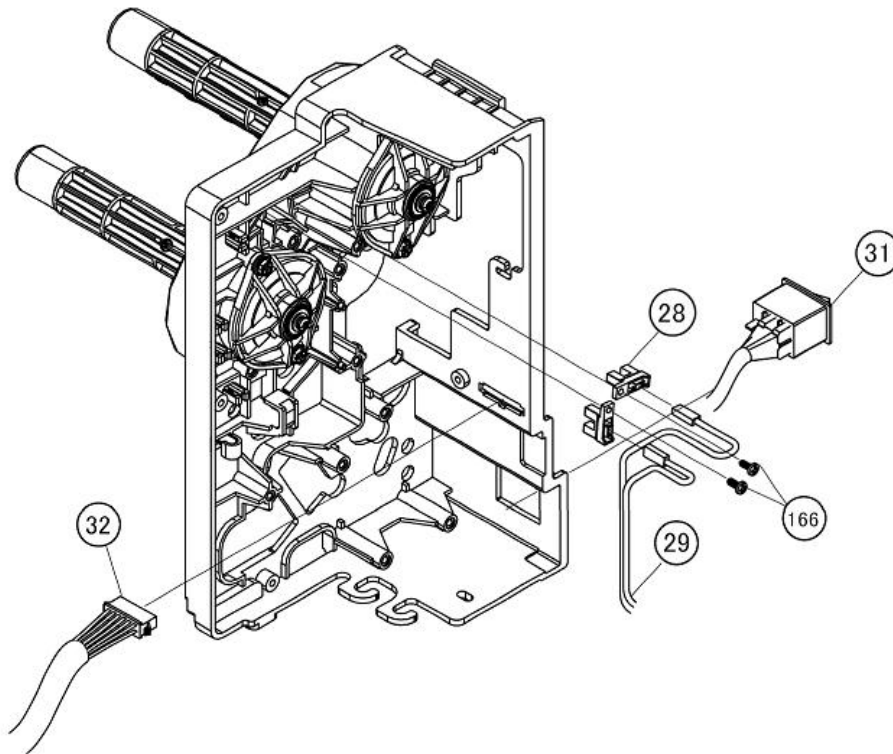


Figure PL1c, Ribbon Assembly (3)

RIBBON ASSEMBLY (3)		
ITEM	PART NUMBER	PART DESCRIPTION
28	F00177000	PHOTO INTERRUPTER -LF
29	R10532000	SENSOR CABLE SET
31	R10534030	AC LINE CABLE ASSY for printer serial number (S/N) 7MXXXXXX and above. For S/N 7LXXXXXX and below, use R10534010. This part is included with new Power Supply.
32	R10533000	OPTION CABLE SET
166	M16221000	BIND HEAD P TIGHT SCREW

HEAD ASSEMBLY (1)

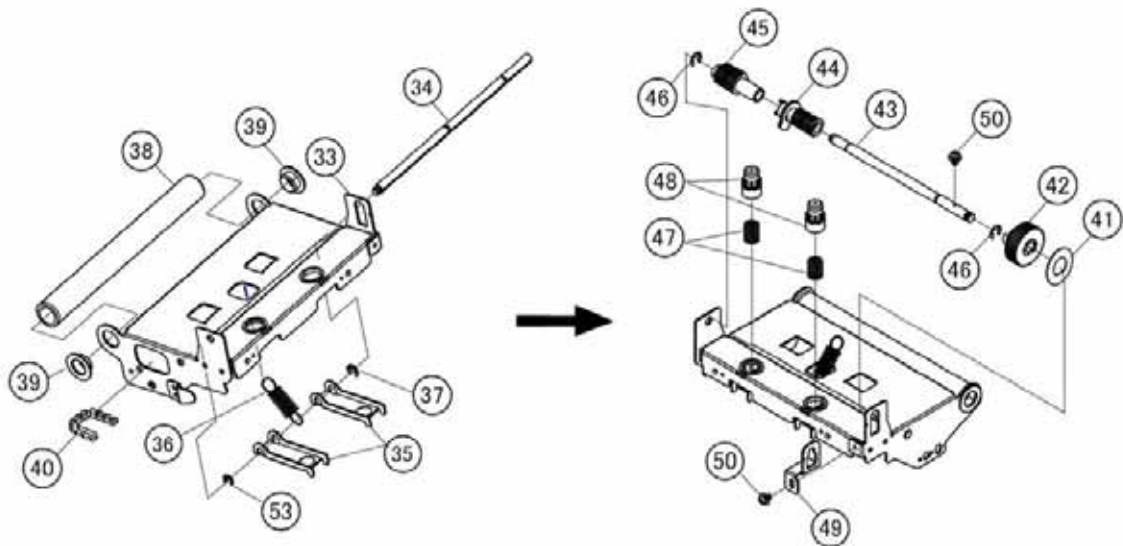


Figure PL2a, Head Assembly (1)

HEAD ASSEMBLY (1)		
ITEM	PART NUMBER	PART DESCRIPTION
33	R09944000	HEAD BRACKET SET
34	P21955000	SHAFT(ARM)
35	P22088000	HEAD PRESSURE ARM
36	P22069000	SPRING(HEAD OPEN)
37	ND0040030	E SNAP RING
38	P21950010	RIBBON PIPE
39	P11456000	OILES BEARING
40	P11950000	BUSH(HEAD BR)
41	Q00892000	STICKER(HEAD AJ)
42	P11232001	PR KNOB
43	P21962000	SHAFT(PR ADJUST)
44	P22022001	CAM(R)
45	P22020001	CAM(L)
46	ND0050030	E SNAP RING
47	P22070010	SPRING(HEAD)
48	P22017000	SPRING CAP
49	P22087000	HEAD ADJUST BRACKET

HEAD ASSEMBLY (1)		
ITEM	PART NUMBER	PART DESCRIPTION
50	MD4300622	PAN HEAD SCREW+SW+WL
53	ND0030030	E RING RING

HEAD ASSEMBLY (2)

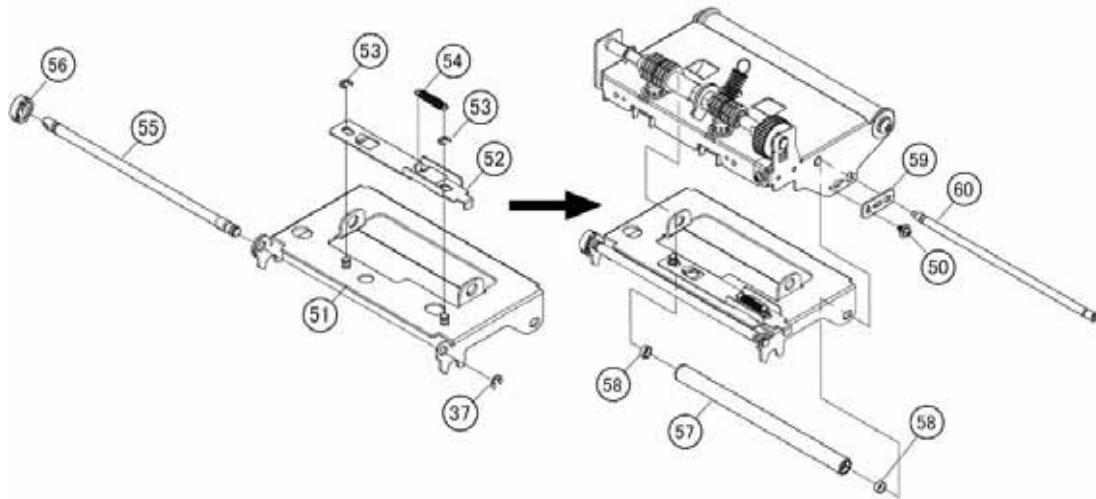


Figure PL2b, Head Assembly (2)

HEAD ASSEMBLY (2)		
ITEM	PART NUMBER	PART DESCRIPTION
37	ND0040030	E SNAP RING
50	MD4300622	PAN HEAD SCREW+SW+WL
51	R09947020	HEAD BRACKET (B)SET
52	P22084000	RELEASE LEVER
53	ND0030030	E RING RING
54	P22068000	SPRING(RELEASE)
55	P21956010	SHAFT(HEAD ADJUST)
56	P23063001	HEAD AJ
57	P21954010	RIBBON PIPE B
58	P11455000	OILES BEARING
59	P22080000	HEAD ADJUST PLATE
60	P21949000	SHAFT(HEAD BRACKET)

HEAD ASSEMBLY (3)

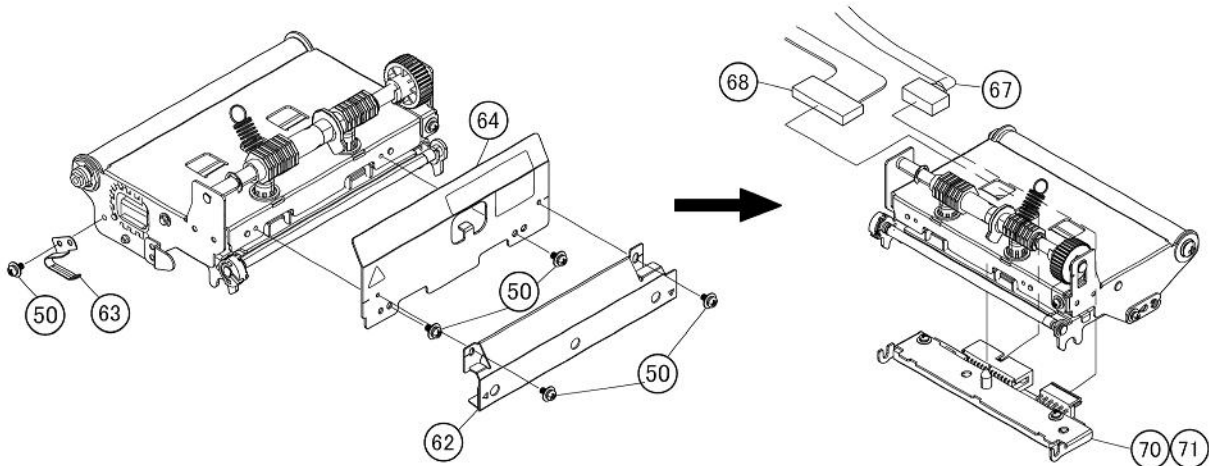


Figure PL2c, Head Assembly (3)

HEAD ASSEMBLY (3)		
ITEM	PART NUMBER	PART DESCRIPTION
50	MD4300622	PAN HEAD SCREW+SW+WL
62	R10438001	ADJUST PLATE SET
63	P11228002	SENSOR HOLD SP
64	R10104000	BASE PLATE ASSY
67	R04671020	HEAD POWER CABLE SET
68	R10531000	HEAD SIGNAL CABLE SET
70	R10100000	PRINT HEAD GL408e
71	R10101000	PRINT HEAD GL412e

HEAD ASSEMBLY (4)

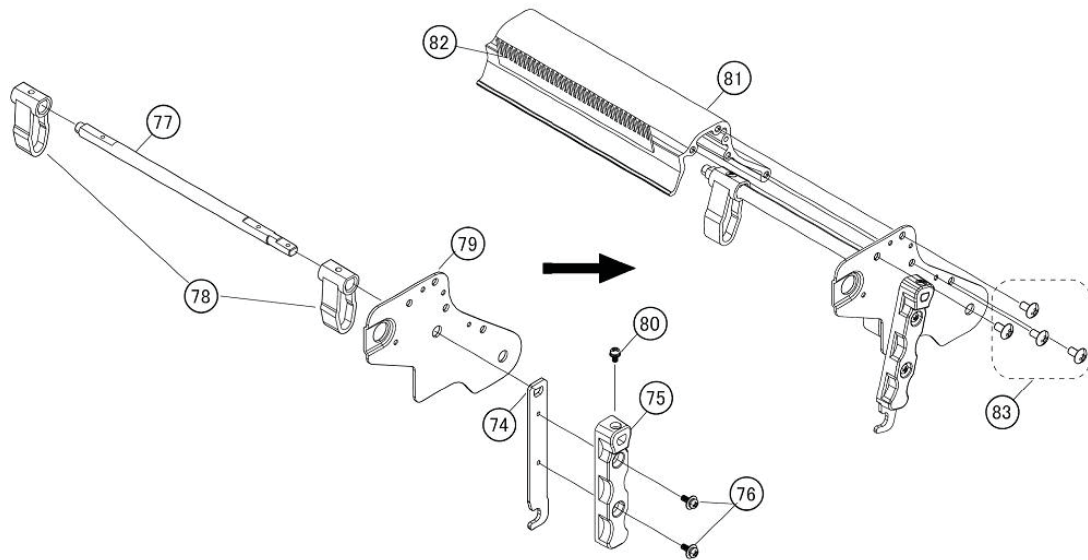


Figure PL2d, Head Assembly (4)

HEAD ASSEMBLY (4)		
ITEM	PART NUMBER	PART DESCRIPTION
74	P22009000	HEAD LOCK LEVER
75	P22023100	HEAD LOCK COVER
76	MD4300822	PAN HEAD SCREW+SW+WL
77	P21972000	SHAFT(HEAD LOCK)
78	P22024000	HEAD PRESSURE CAM
79	P22027001	HEAD FRAME PLATE
80	MD3300622	PAN HEAD SCREW+SW+WS
81	P21837002	HEAD FRAME
82	P11949000	ANTI STATIC SHEET
83	MA7400822	TRUSS HEAD SCREW

HEAD ASSEMBLY (5)

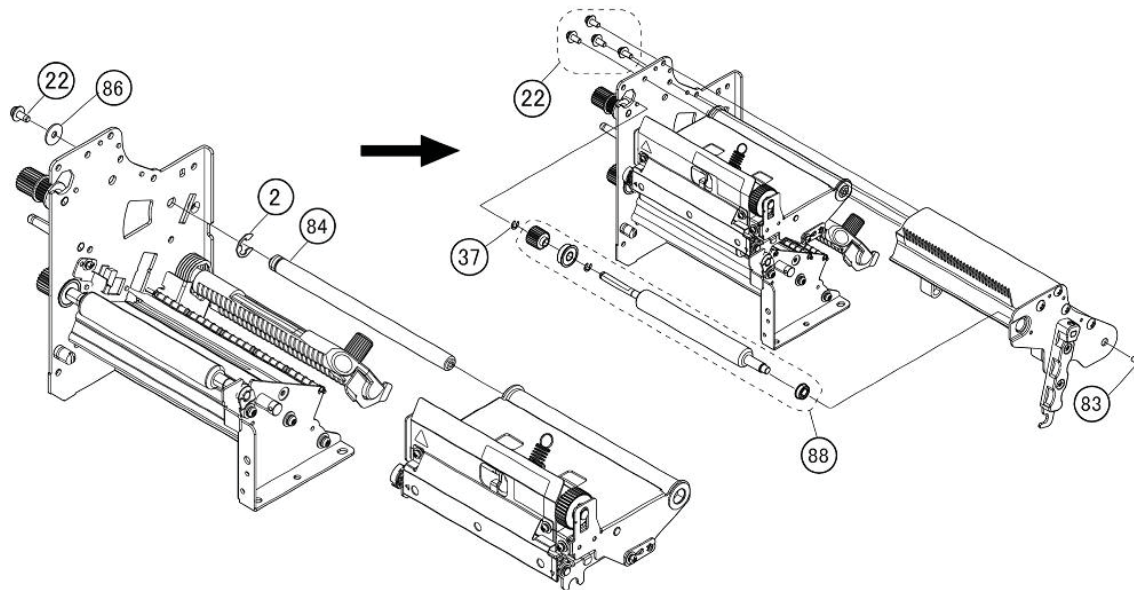


Figure PL2e, Head Assembly (5)

HEAD ASSEMBLY (5)		
ITEM	PART NUMBER	PART DESCRIPTION
2	ND0080022	E-SNAP RING
22	MD4401022	PAN HEAD SCREW+SW+WL
37	ND0040030	E SNAP RING
83	MA7400822	TRUSS HEAD SCREW
84	P21971000	SHAFT(HEAD MAIN)
86	PA0730300	WASHER (4.2*14*1)
88	R10111000	RIBBON ROLLER S/A

ENGINE ASSEMBLY (1)

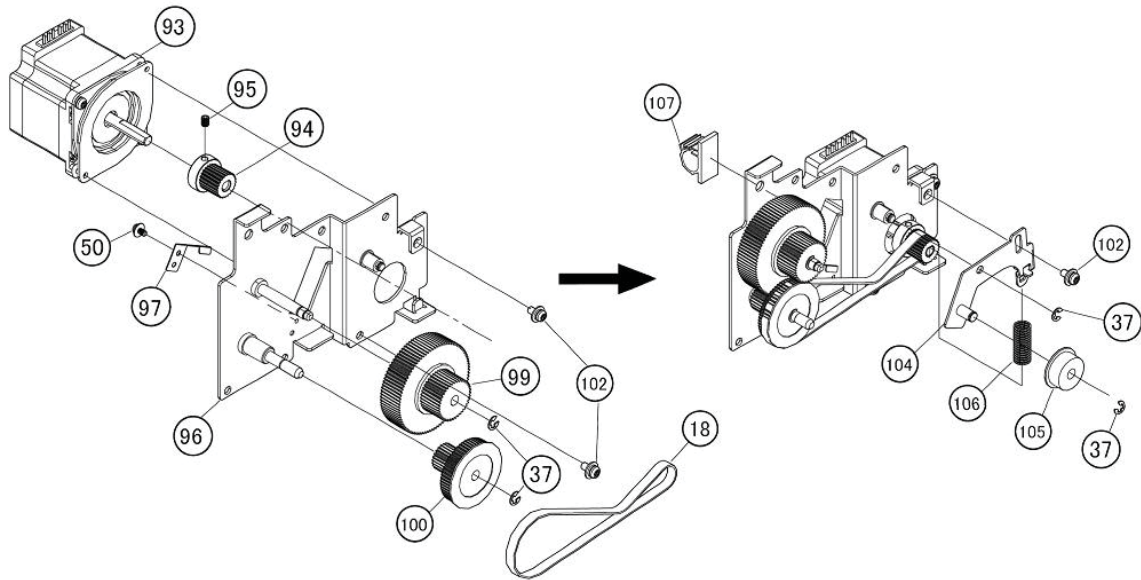


Figure PL3a, Engine Assembly (1)

ENGINE ASSEMBLY (1)		
ITEM	PART NUMBER	PART DESCRIPTION
18	P11458000	TIMING BELT
37	ND0040030	E SNAP RING
50	MD4300622	PAN HEAD SCREW+SW+WL
93	K00234000	STEPPING MOTOR GL4XXe
94	P11157001	MO PULLEY
95	MJ1400630	HEXAGON SOCKET HEAD CAP SCREW(W POINT)
96	R09869000	GEAR BOX SET
97	P11188000	SP TENSION
99	P11160000	GEAR(B)
100	P11159000	GEAR(A)
102	MD4400822	PAN HEAD SCREW+SW+WL
104	R04610010	TENSION BRACKET SET
105	PE3720100	TENSION ROLLER
106	P11221000	SPRING(TENSION)
107	P11951000	CK CLAMP

ENGINE ASSEMBLY (2)

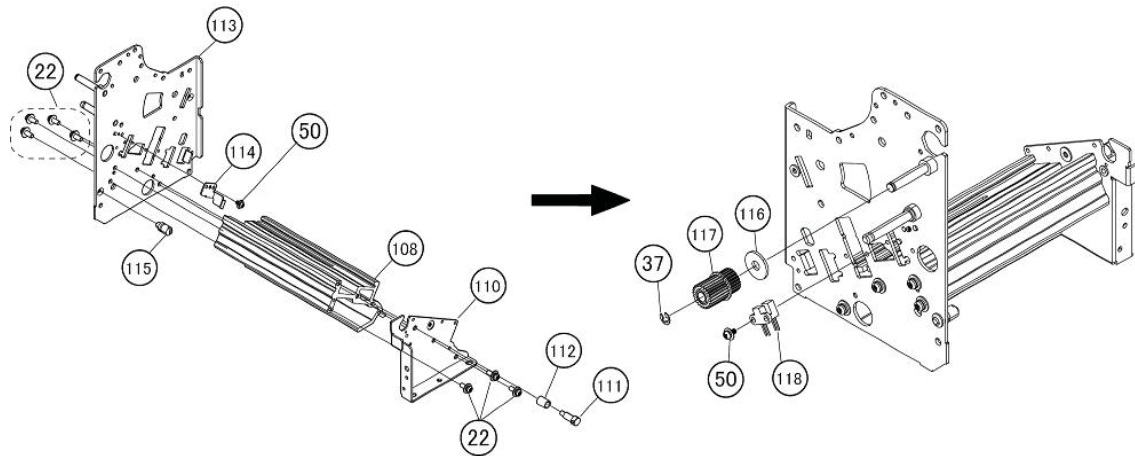


Figure PL3b, Engine Assembly (2)

ENGINE ASSEMBLY (2)		
ITEM	PART NUMBER	PART DESCRIPTION
22	MD4401022	PAN HEAD SCREW+SW+WL
37	ND0040030	E SNAP RING
50	MD4300622	PAN HEAD SCREW+SW+WL
108	P21838001	ENGINE FRAME
110	P22074010	ENGINE FRAME B
111	P21964000	SHAFT(COVER LOCK)
112	P21963000	COLLAR(6*8*10.5)
113	R09942011	ENGINE BASE SET
114	P22086001	LABEL GUIDE BRACKET
115	P21948000	LOCK SHAFT
116	P22796000	WASHER(6.1*18*1.6)
117	P21892000	GEAR PULLEY(24/24)
118	R04712010	HEAD OPEN CABLE SET-LF

ENGINE ASSEMBLY (3)

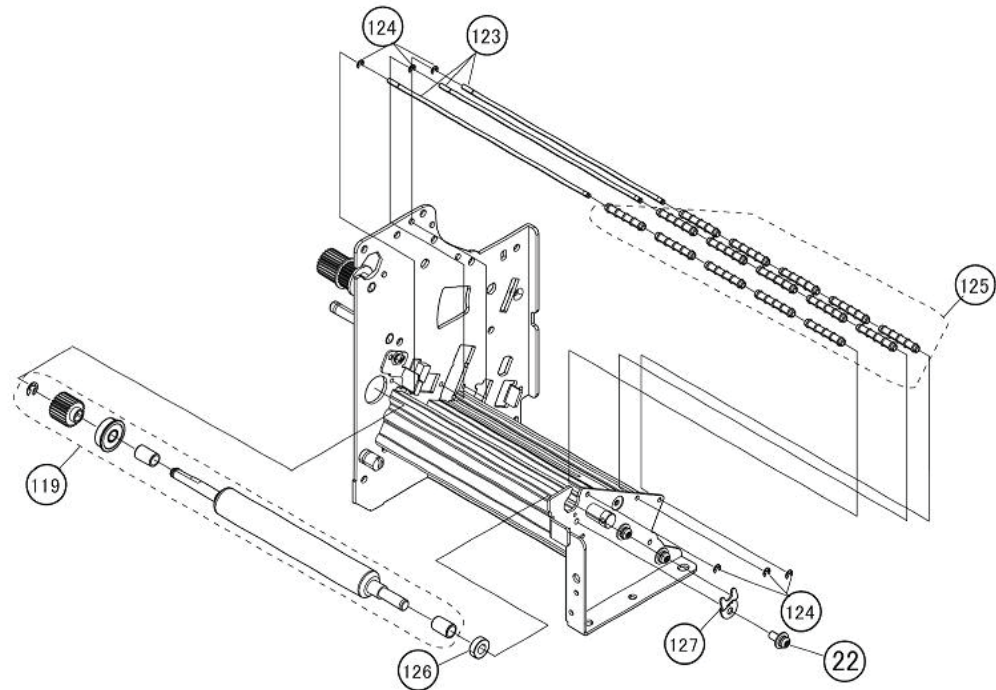


Figure PL3c, Engine Assembly (3)

ENGINE ASSEMBLY (3)		
ITEM	PART NUMBER	PART DESCRIPTION
22	MD4401022	PAN HEAD SCREW+SW+WL
118	R04712010	HEAD OPEN CABLE SET-LF
119	R10085000	PLATEN ASSY GL4XXe
123	P21970000	SHAFT
124	ND0020030	E SNAP RING
125	PE1A20000	DEMAND ROLLER(B)
126	P11452000	BEARING
127	P23129000	BEARING HOLDER

ENGINE ASSEMBLY (4)

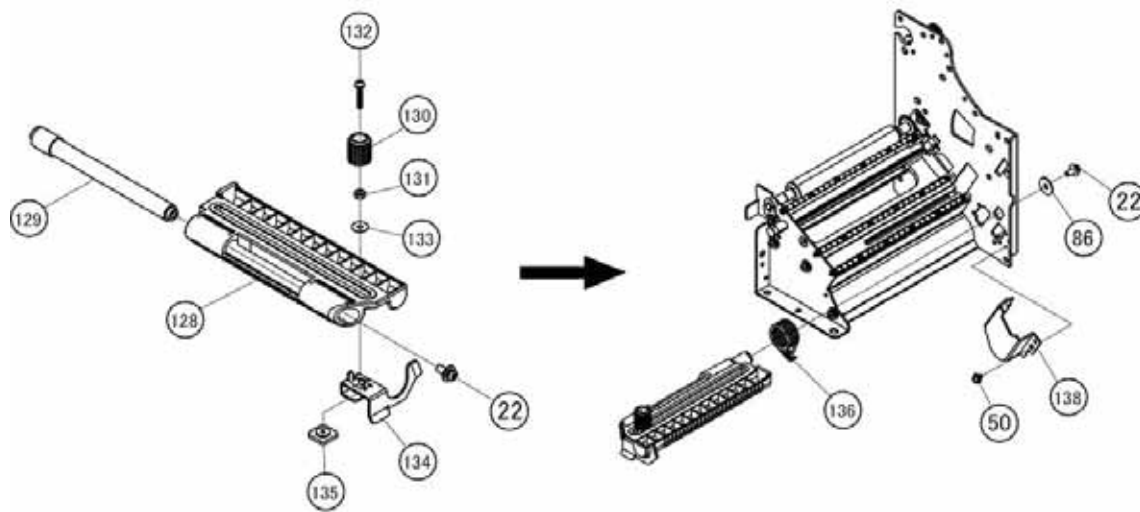


Figure PL3d, Engine Assembly (4)

ENGINE ASSEMBLY (4)		
ITEM	PART NUMBER	PART DESCRIPTION
22	MD4401022	PAN HEAD SCREW+SW+WL
50	MD4300622	PAN HEAD SCREW+SW+WL
86	PA0730300	WASHER (4.2*14*1)
128	P22018030	DAMPER HOLDER
129	P21967000	SHAFT(DAMPER)
130	PE2750401	GUIDE COLLAR(STACKER)
131	MT1300522	HEXAGON NUT
132	MC0301622	PAN HEAD SCREW+TW
133	NA1030022	PLAIN WASHER
134	P11118020	LABEL GUIDE BR
135	PA1A60000	NUT PLATE
136	P22060010	SPRING(DAMPER)
138	P22008000	PAPER SIDE GUIDE

FRAME ASSEMBLY (1)

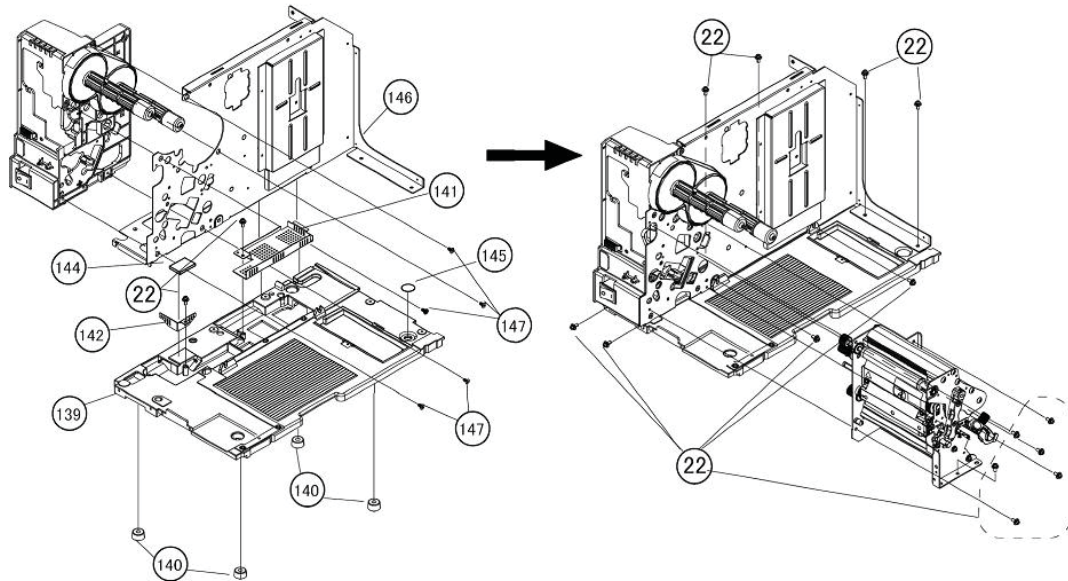


Figure PL4a, Frame Assembly (1)

FRAME ASSEMBLY (1)		
ITEM	PART NUMBER	PART DESCRIPTION
22	MD4401022	PAN HEAD SCREW+SW+WL
139	P09942011	BASE FRAME
140	P11522000	CASE LEG
141	P11944020	BASE FRAME BRACKET A
142	P11945000	BASE FRAME BR B
144	P11588000	HEAT PAD
145	Q01217000	SEALING SHEET
146	R09948011	CENTER FRAME SET
147	M16222000	FLAT HEAD P TIGHT SCREW

FRAME ASSEMBLY (2)

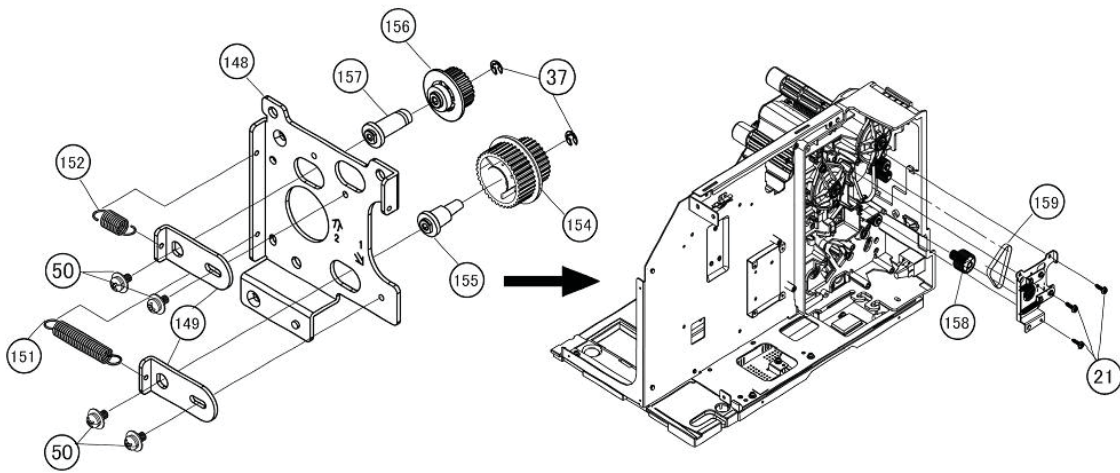


Figure PL4b, Frame Assembly (2)

FRAME ASSEMBLY (2)		
ITEM	PART NUMBER	PART DESCRIPTION
21	M16225000	(+)-FLANGE HEX TAP SCREW
37	ND0040030	E SNAP RING
50	MD4300622	PAN HEAD SCREW+SW+WL
148	P22075001	RIBBON BELT BRACKET
149	P22083000	TENSION BR(RIBBON)
151	P22054000	SPRING(BELT A)
152	P22055010	SPRING(BELT B)
154	P25617000	DOUBLE PULLEY(24/42)
155	P21934000	SHAFT(W PULLEY)
156	P18956000	PULLEY(S2M 24)
157	P21901000	SHAFT(TENSION RIBBON)
158	P21858000	GEAR PULLEY(40/18)
159	P21989000	TIMING BELT(PLATEN ROLLER)

FRAME ASSEMBLY (3)

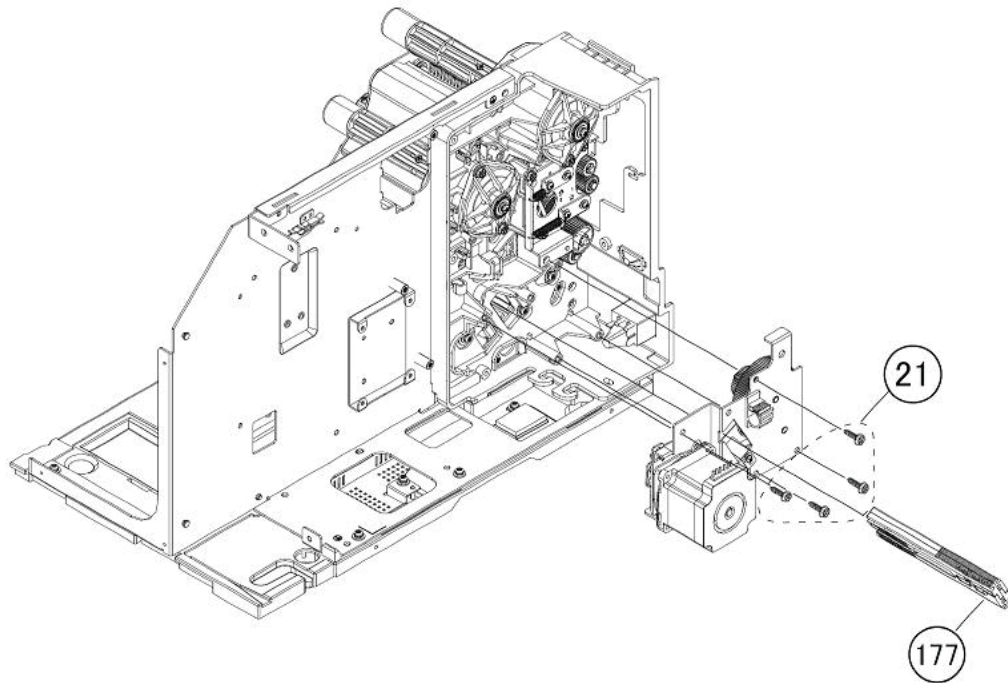


Figure PL4c, Frame Assembly (3)

FRAME ASSEMBLY (3)		
ITEM	PART NUMBER	PART DESCRIPTION
21	M16225000	(+)-FLANGE HEX TAP SCREW
177	R04695001	SENSOR S/A-LF

FRAME ASSEMBLY (4)

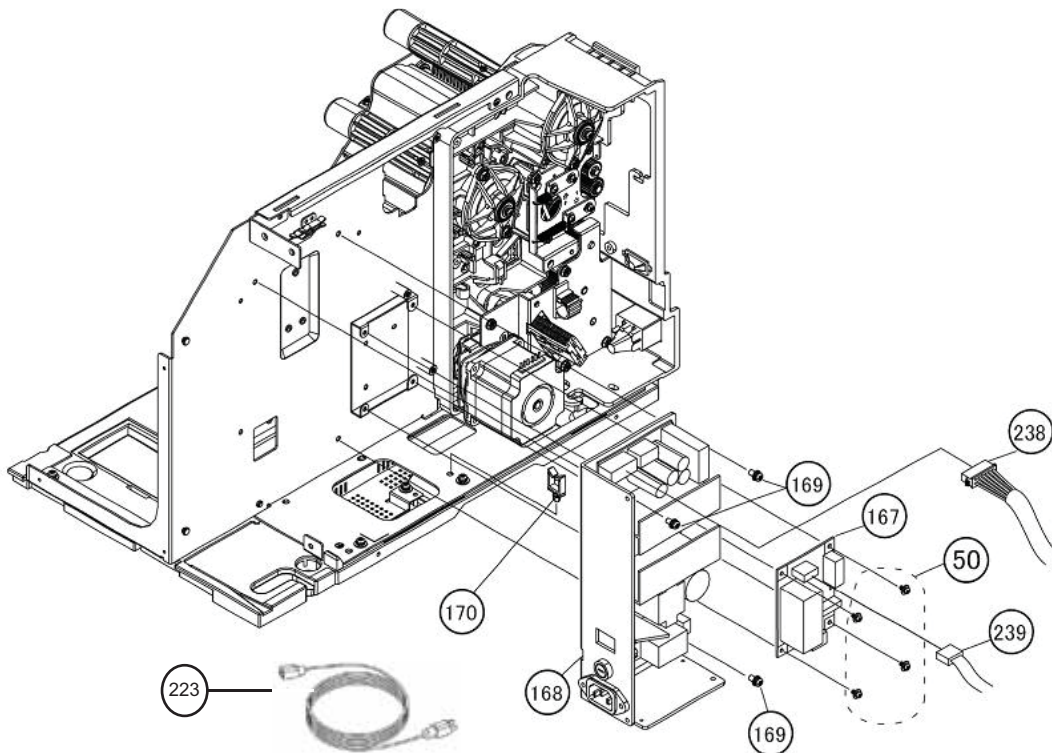


Figure PL4d, Frame Assembly (4)

FRAME ASSEMBLY (4)		
ITEM	PART NUMBER	PART DESCRIPTION
50	MD4300622	PAN HEAD SCREW+SW+WL
167	R10537001	MOTOR DRIVER PCB ASSY
168	K00225010	POWER SUPPLY GL4XXe - Includes ITEM 31, R10534030, in Ribbon Assembly (3) in this document.
169	MD3400822	PAN HEAD SCREW+SW+WS
170	P11523000	WIRE SADDLE
223	H00878000	POWER CORD (EX1)
238	R10536000	DC POWER CABLE SET
239	R07106000	MDRV - POWER CABLE SET -LF

FRAME ASSEMBLY (5)

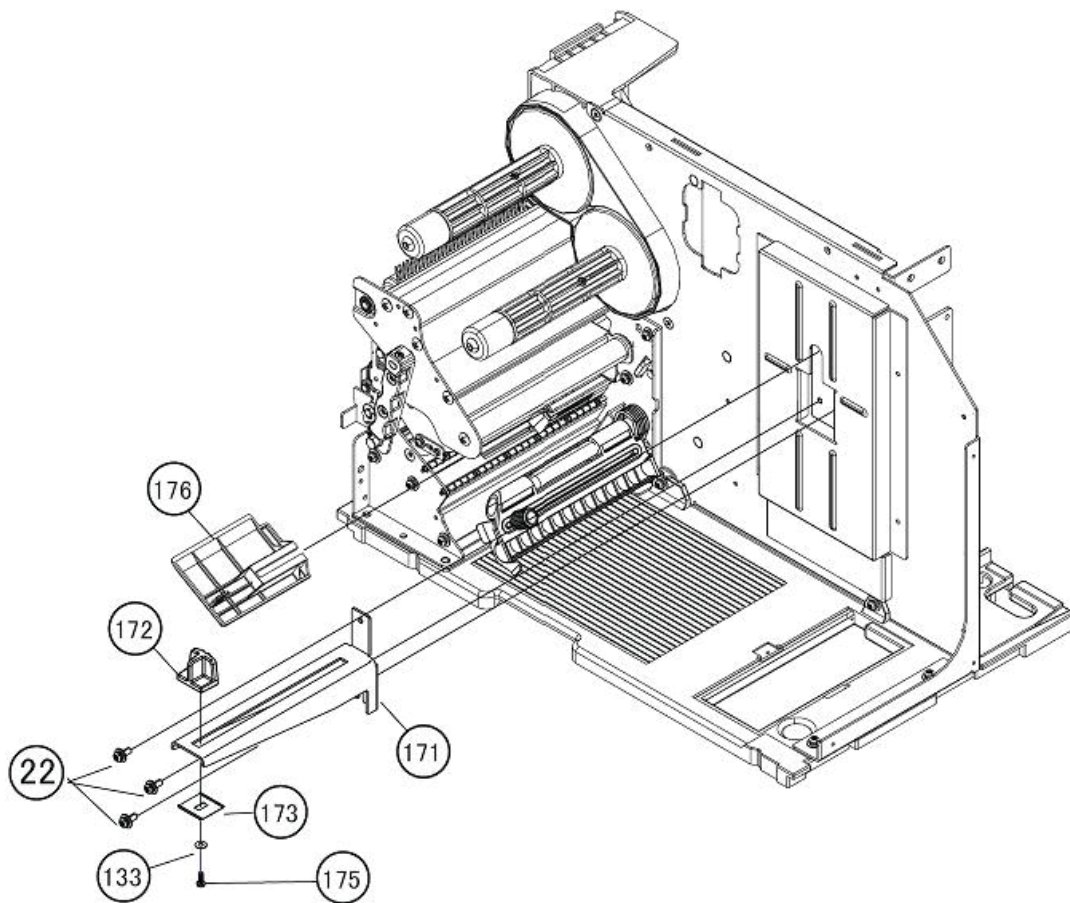


Figure PL4e, Frame Assembly (5)

FRAME ASSEMBLY (1-5)		
ITEM	PART NUMBER	PART DESCRIPTION
22	MD4401022	PAN HEAD SCREW+SW+WL
133	NA1030022	PLAIN WASHER
171	P21853000	LABEL HOLDER
172	PE1720350	LABEL STOPPER
173	PA4520300	STOPPER SPRING
175	MH0300822	PAN HEAD P TIGHT SCREW
176	P20620002	PAPER GUIDE

COVER ASSEMBLY (1)

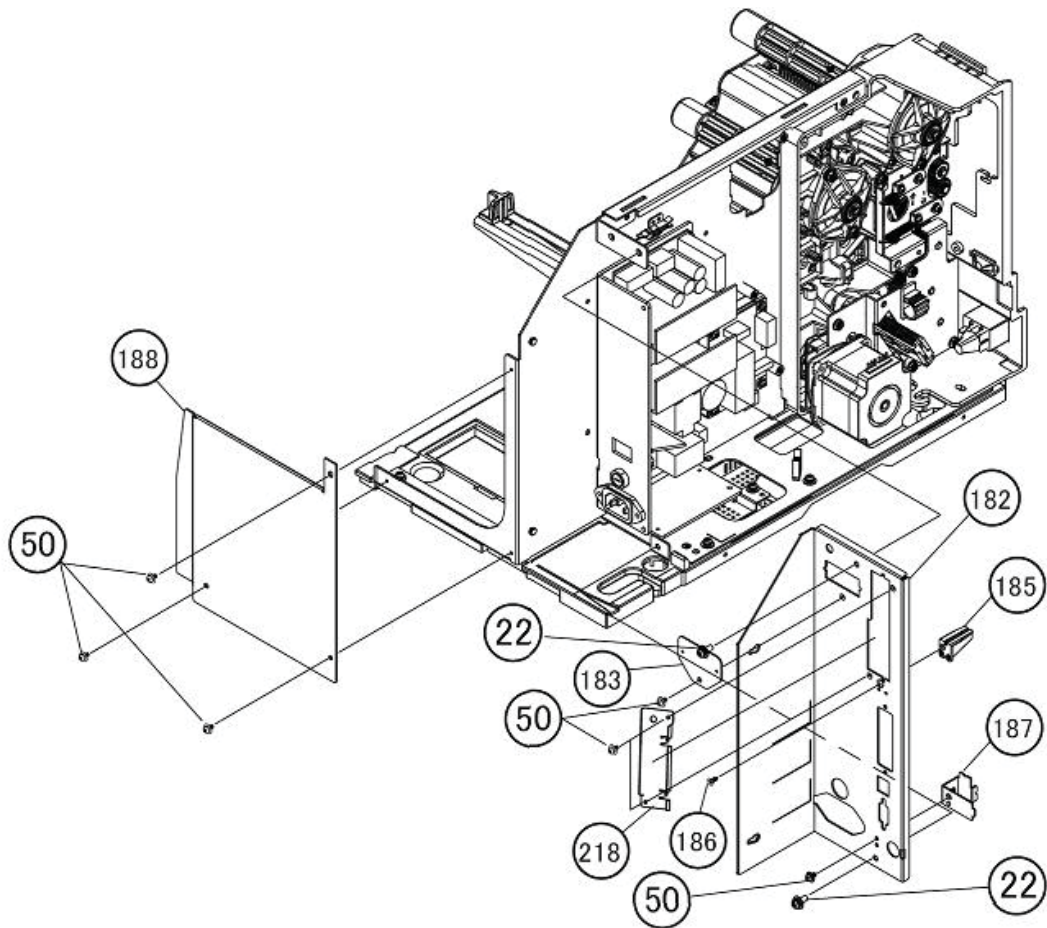


Figure PL5a, Cover Assembly (1)

COVER ASSEMBLY (1)		
ITEM	PART NUMBER	PART DESCRIPTION
22	MD4401022	PAN HEAD SCREW+SW+WL
50	MD4300622	PAN HEAD SCREW+SW+WL
182	P21845010	REAR PANEL(LEFT)
183	P23089000	EXTERNAL SIGNAL COVER
185	P11115000	GUIDE RAIL
186	MH1300822	FLAT HEAD P TIGHT SCREW
187	P22091001	PB HOLDER B
188	P21844100	REAR PANEL(RIGHT)
218	P23159000	INTERFACE COVER

COVER ASSEMBLY (2)

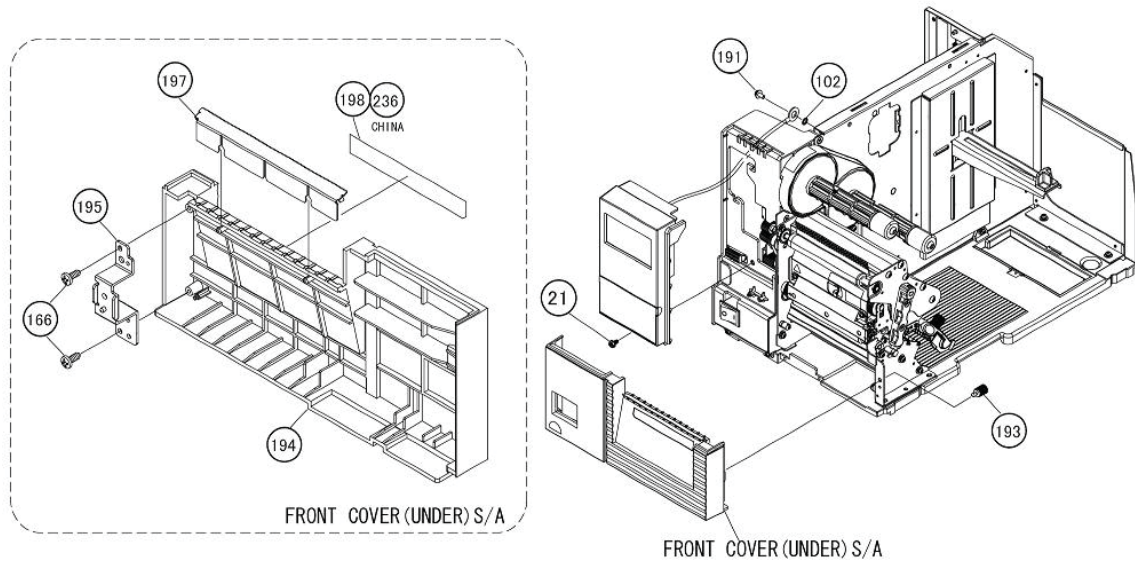


Figure PL5b, Cover Assembly (2)

COVER ASSEMBLY (2)		
ITEM	PART NUMBER	PART DESCRIPTION
21	M16225000	(+)-FLANGE HEX TAP SCREW
102	MD4400822	PAN HEAD SCREW+SW+WL
166	M16221000	BIND HEAD P TIGHT SCREW
191	NB2040022	TOOTHED LOCK WASHER
193	P21947000	STOPPER SCREW
194	P11467011	FRONT COVER(UNDER)
195	R04832020	CUTTER GUIDE SET
197	P11656010	TEAR OFF CUTTER
198	Q00896001	STICKER(TEAR OFF)
236	Q01070000	STICKER(TEAR OFF_CUTTER)

COVER ASSEMBLY (3)

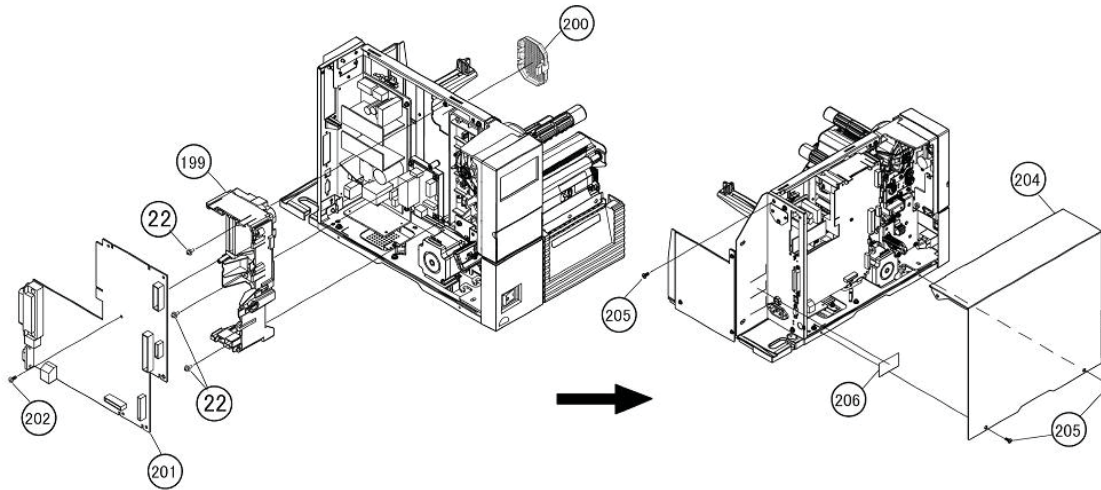


Figure PL5c, Cover Assembly (3)

COVER ASSEMBLY (3)		
ITEM	PART NUMBER	PART DESCRIPTION
22	MD4401022	(+)-FLANGE HEX TAP SCREW
199	P11433040	PB FRAME
200	P11137000	COVER(M/C)
201	R10486003	MAIN PCB GL4XXe
202	MA2300622	BIND HEAD SCREW
204	R09880100	COVER(LEFT)SET
205	M16223000	BIND HEAD SCREW
206	QC6524000	STICKER(FCC)

COVER ASSEMBLY (4)

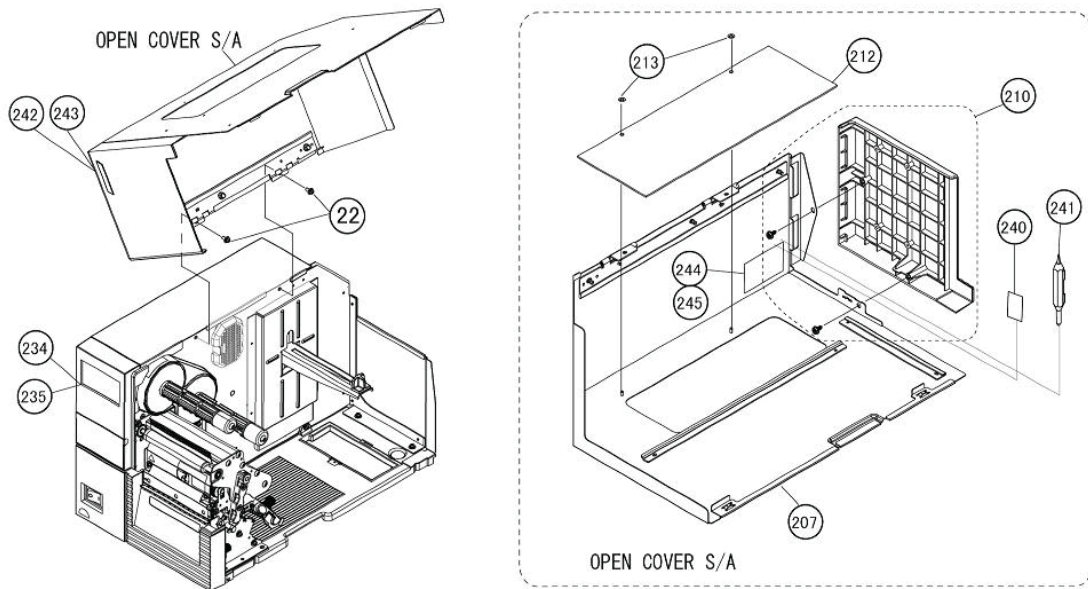


Figure PL5d, Cover Assembly (4)

COVER ASSEMBLY (4)		
ITEM	PART NUMBER	PART DESCRIPTION
22	MD4401022	PAN HEAD SCREW+SW+WL
207	R09879121	OPEN COVER SET
210	R11275000	FRONT COVER TOP(STICKER)
212	PH2720100	WINDOW
213	M16626000	FLAT PUSH NUT
234	P00094000	PROTECT TAPE
235	P00095000	PROTECT TAPE(W60)
240	JG100441A	CKN CLAMP
241	PE6A21900	MICRO DRIVER
242	Q01071001	MODEL STICKER(GL408e)
243	Q01072001	MODEL .STICKER(GL412e)
244	Q01814000	ROUTE STICKER GL4XXe
245	Q01815000	ROUTE STICKER GL4XXe

KEY PANEL ASSEMBLY (1)

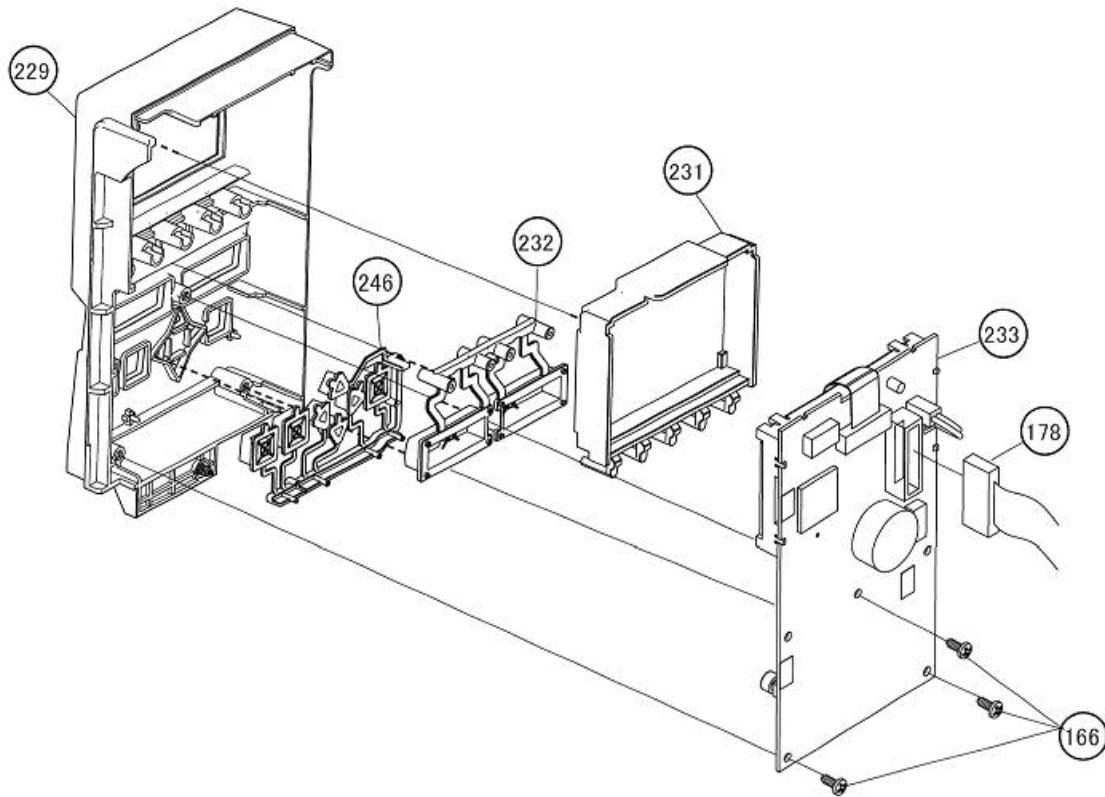


Figure PL6a, Key Panel Assembly (1)

KEY PANEL ASSEMBLY (1)		
ITEM	PART NUMBER	PART DESCRIPTION
166	M16221000	BIND HEAD P TIGHT SCREW
178	R04673000	KB CABLE SET-LF
229	R11274000	CONT FRAME(SILK)
231	P11292000	LCD COVER
232	P25007000	KEY TOP
233	R10538001	KB PCB ASSY GL4XXe
246	P25008000	CONT KEY

OPTIONAL INTERFACES (1)

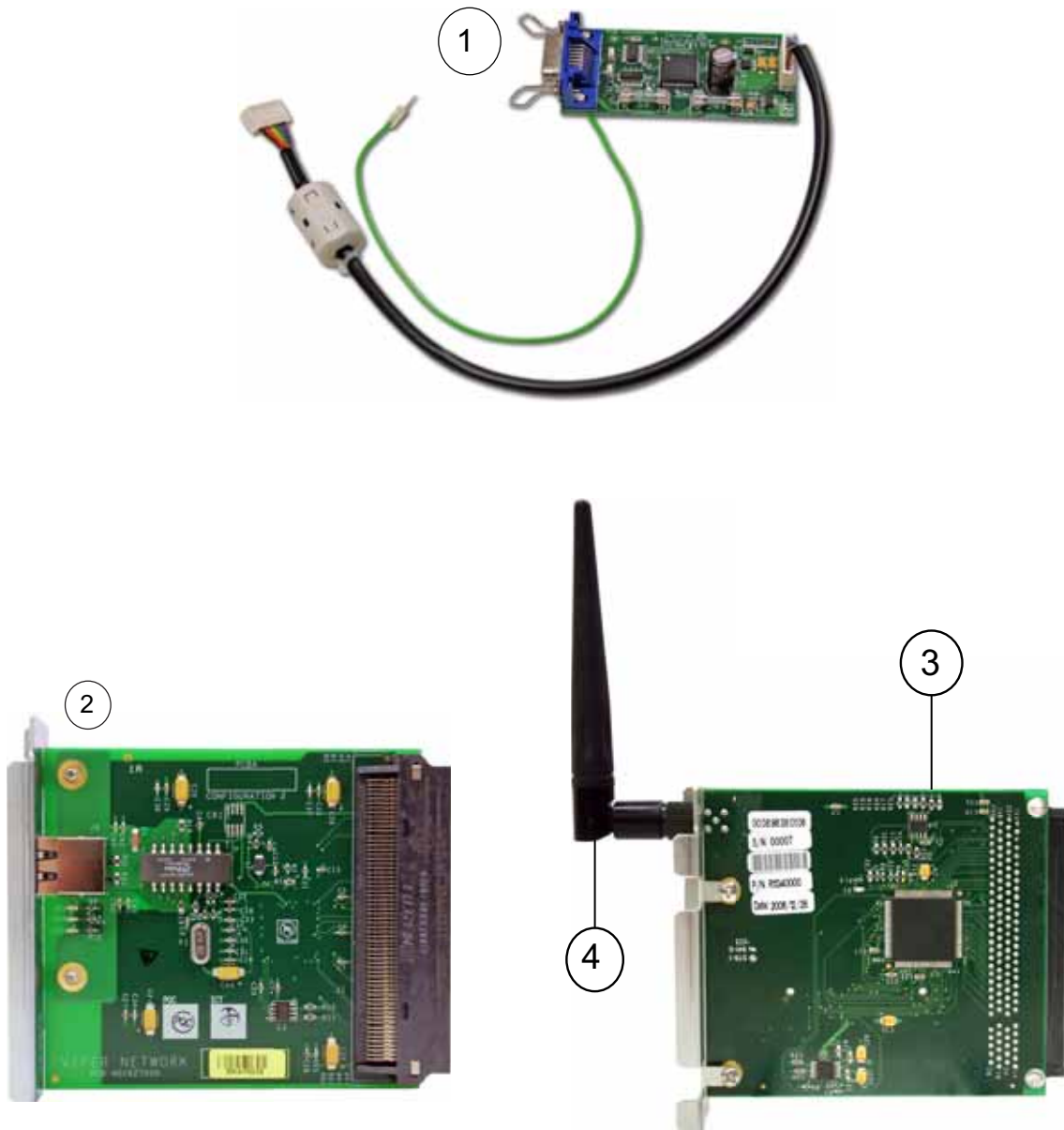


Figure PL7a, Optional Interfaces (1)

OPTIONAL INTERFACES (1)		
ITEM	PART NUMBER	PART DESCRIPTION
1	WWGL05880	GL408/412E EXTERNAL (14-PIN) PORT
2	WWGL15040	ENHANCED ETHERNET INTERFACE
3	WWGL25080	WIRELESS 802.11g PRINT SERVER (INCLUDES 11S000193)
4	11s000193	ANTENNA GL WIRELESS REPLACEMENT

This page is intentionally left blank.

Free Manuals Download Website

<http://myh66.com>

<http://usermanuals.us>

<http://www.somanuals.com>

<http://www.4manuals.cc>

<http://www.manual-lib.com>

<http://www.404manual.com>

<http://www.luxmanual.com>

<http://aubethermostatmanual.com>

Golf course search by state

<http://golfingnear.com>

Email search by domain

<http://emailbydomain.com>

Auto manuals search

<http://auto.somanuals.com>

TV manuals search

<http://tv.somanuals.com>