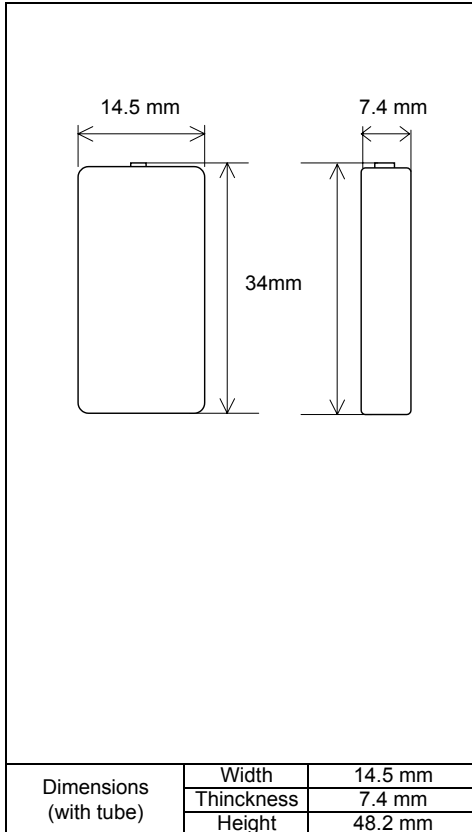


## Specifications



Type : Nickel-Metal Hydride Battery		Size : D4 size	
Capacity <sup>1)</sup>	Typical	640mAh	
	Minimum	600mAh	
Nominal Voltage		1.2V	
Charging Current x Time	Fast Charge <sup>2)</sup>	640 mA x about 1.1h	
Ambient Temp.	Charge Condition	Fast Charge <sup>2)</sup>	
	Discharge Condition		
	Storage Condition	Less than 30days	0°C - 40°C
		Less than 90days	0°C - 50°C
Less than 1year		-20°C - 50°C	
Internal Impedance <sup>3)</sup> (after discharge to E.V.=1.0V)		About 30mΩ(at 1000Hz)	
Weight <sup>4)</sup>		About 13 g	
Size <sup>4)</sup> : (Width) x (Thickness) x (Height)		16.0(W) x 6.6(T) x 34.0(H) mm	

1)Single cell capacity under the following condition.

Charge : 64mA×16h, Discharge : 128mA(E.V.=1.0V) at 20°C

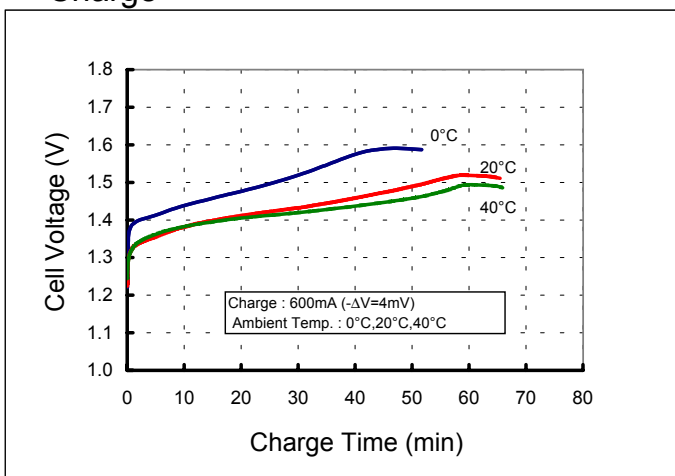
2)Use recommended charging system.

3)After a few charge and discharge cycles under the above 1) condition.

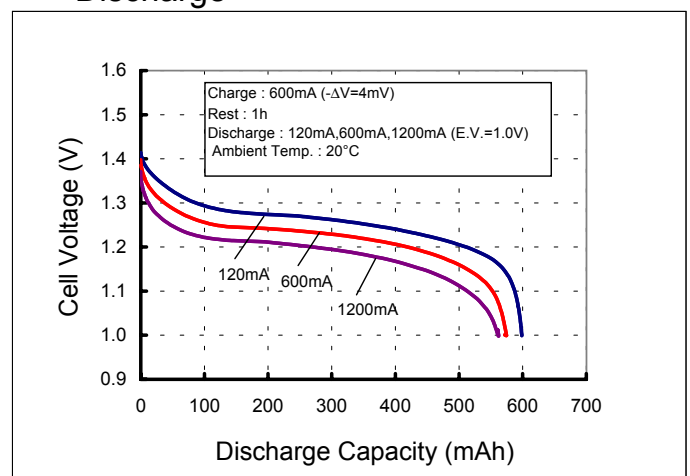
4)With tube.

## Typical Characteristics

### Charge



### Discharge



## Free Manuals Download Website

<http://myh66.com>

<http://usermanuals.us>

<http://www.somanuals.com>

<http://www.4manuals.cc>

<http://www.manual-lib.com>

<http://www.404manual.com>

<http://www.luxmanual.com>

<http://aubethermostatmanual.com>

Golf course search by state

<http://golfingnear.com>

Email search by domain

<http://emailbydomain.com>

Auto manuals search

<http://auto.somanuals.com>

TV manuals search

<http://tv.somanuals.com>