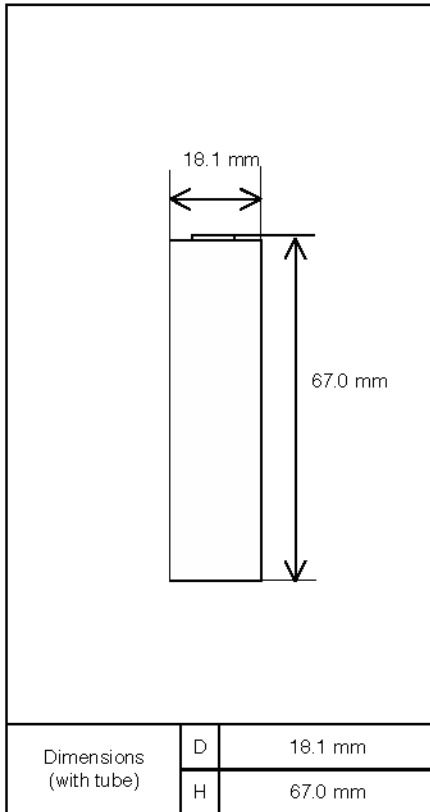


### Specifications

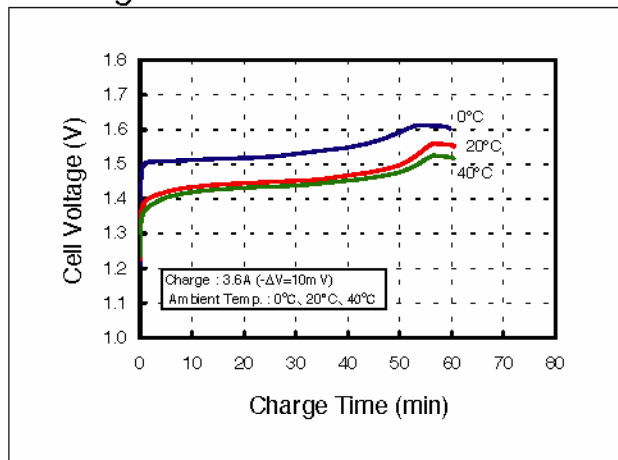


Type : Nickel-Metal Hydride Battery		Size : 4/3FA
Capacity <sup>1)</sup>	Typical	3600mAh
	Minimum	3400mAh
Nominal Voltage		1.2V
Charging Current x Time	Fast Charge <sup>2)</sup>	3600 mA x about 1.1h
Ambient Temp.	Charge Condition	Fast Charge <sup>2)</sup> 0°C - 40°C
	Discharge Condition 0°C - 50°C	
	Storage Condition	Less than 30days
Less than 90days		-20°C - 40°C
Less than 1 year		-20°C - 30°C
Internal Impedance <sup>3)</sup> (after discharge to E.V.=1.0V)		Approx. 7 mΩ (at 1000Hz)
Weight <sup>4)</sup>		Approx. 58 g
Size <sup>4)</sup> : (Diameter) x (Height)		18.1(D) x 67.0(H) mm

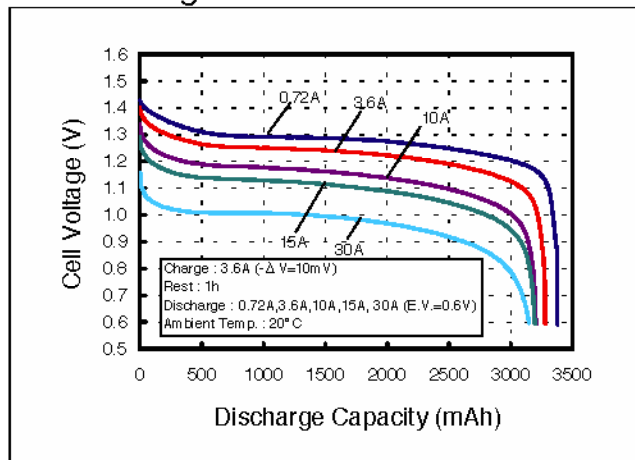
- 1) Single cell capacity under the following condition.  
Charge : 360mA x 16h, Discharge : 720mA (E.V.=1.0V) at 20°C
- 2) Use recommended charging system.
- 3) After a few charge and discharge cycles under the above 1) condition.
- 4) With tube.

### Typical Characteristics

#### Charge



#### Discharge



## Free Manuals Download Website

<http://myh66.com>

<http://usermanuals.us>

<http://www.somanuals.com>

<http://www.4manuals.cc>

<http://www.manual-lib.com>

<http://www.404manual.com>

<http://www.luxmanual.com>

<http://aubethermostatmanual.com>

Golf course search by state

<http://golfingnear.com>

Email search by domain

<http://emailbydomain.com>

Auto manuals search

<http://auto.somanuals.com>

TV manuals search

<http://tv.somanuals.com>